



Main

Range of Product	Harmony GTUX
Product or Component Type	EXtreme touchscreen panel
Terminal type	Touchscreen display
[Us] rated supply voltage	12 V DC power supply
Supply voltage limits	10.8...28.8 V
Power consumption in W	12.5 W
Inrush current	30 A

Complementary

Touchscreen resolution	1024 x 1024
Pixel resolution	1366 x 768
Display size	15.6 inch
Aspect ratio	4:3
Display type	Colour TFT LCD
Display Resolution	1366 x 768 pixels FWXGA
Display colour	262144 colors
Luminance	92.90 fc (1000 cd/m ²)
Touch panel	Single touch analogue resistive
Type of cooling	Natural convection
Cut-out dimensions	394 (+ 1/- 0) x 250 (+ 1/- 0) mm
Width	16.06 in (408 mm)
Height	10.39 in (264 mm)
Depth	2.68 in (68 mm)
Net Weight	10.58 lb(US) (4.8 kg)

Environment

IP degree of protection	IP66f IP67f Front panel Type 4X
Standards	UL 61010 UL 121201 CSA C22.2 No 213 CSA C22.2 No 61010-1 IEC 61132-2
Product Certifications	KC CE RCM EAC ATEX zone 2/22 IEC-Ex UL CSA
Ambient air temperature for operation	-4...140 °F (-20...60 °C) EN 61131-2
Ambient air temperature for storage	-4...140 °F (-20...60 °C)
Pollution degree	2
Environmental characteristic	Corrosive gas free UV resistant
Relative Humidity	10...90 % non-condensing

Operating altitude	6561.68 ft (2000 m)
Vibration resistance	7 mm constant amplitude 5...9 Hz) EN/IEC 61131-2 9.8 m/s ² 9...150 Hz) EN/IEC 61131-2
Shock resistance	392 m/s ² EN/IEC 61131-2
Electromagnetic compatibility	Electrostatic discharge immunity testlevel 3 EN/IEC 61000-4-2

Ordering and shipping details

Category	22567-MAGELIS HMI GTU
Discount Schedule	MC2
GTIN	3606489747961
Nbr. of units in pkg.	1
Package weight(Lbs)	14.64 lb(US) (6.642 kg)
Returnability	Yes
Country of origin	CN

Packing Units

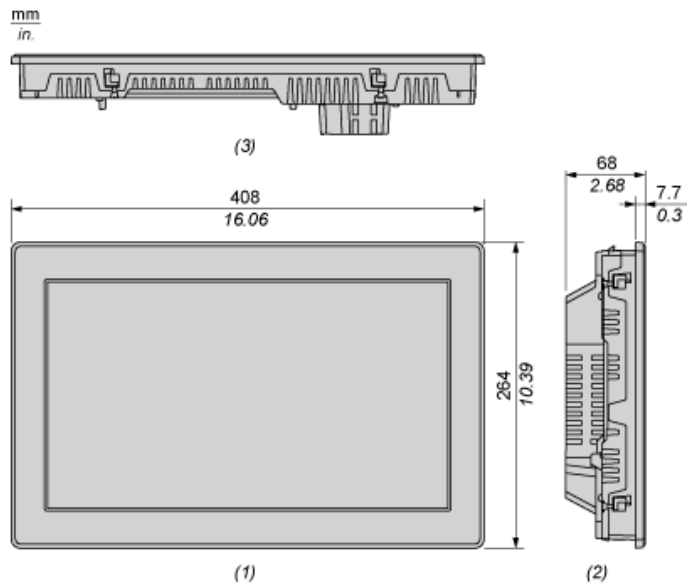
Unit Type of Package 1	PCE
Package 1 Height	17.52 in (44.5 cm)
Package 1 width	7.28 in (18.5 cm)
Package 1 Length	21.26 in (54 cm)
Unit Type of Package 2	P12
Number of Units in Package 2	16
Package 2 Weight	266.76 lb(US) (121.0 kg)
Package 2 Height	41.34 in (105 cm)
Package 2 width	31.50 in (80 cm)
Package 2 Length	47.24 in (120 cm)

Offer Sustainability

California proposition 65	WARNING: This product can expose you to chemicals including: Lead and lead compounds, which is known to the State of California to cause cancer and birth defects or other reproductive harm. For more information go to www.P65Warnings.ca.gov
EU RoHS Directive	Not applicable, out of EU RoHS legal scope
WEEE	The product must be disposed on European Union markets following specific waste collection and never end up in rubbish bins.

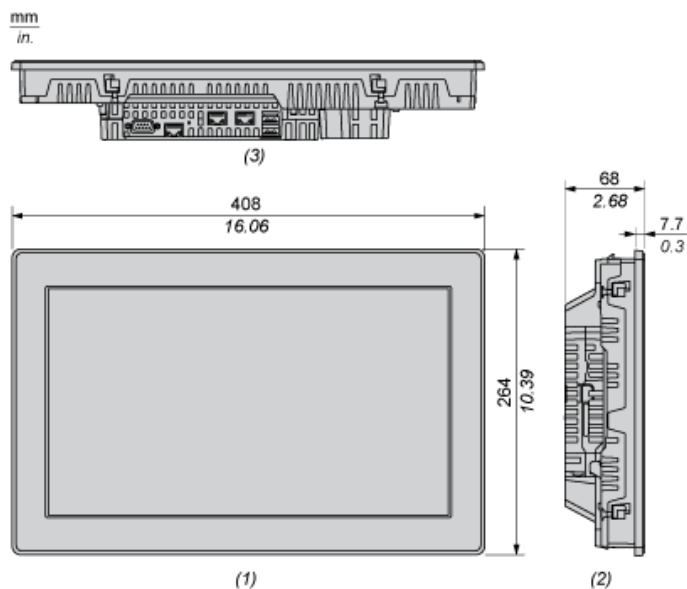
External Dimensions

Display Unit



- 1 : Front
- 2 : Left
- 3 : Bottom

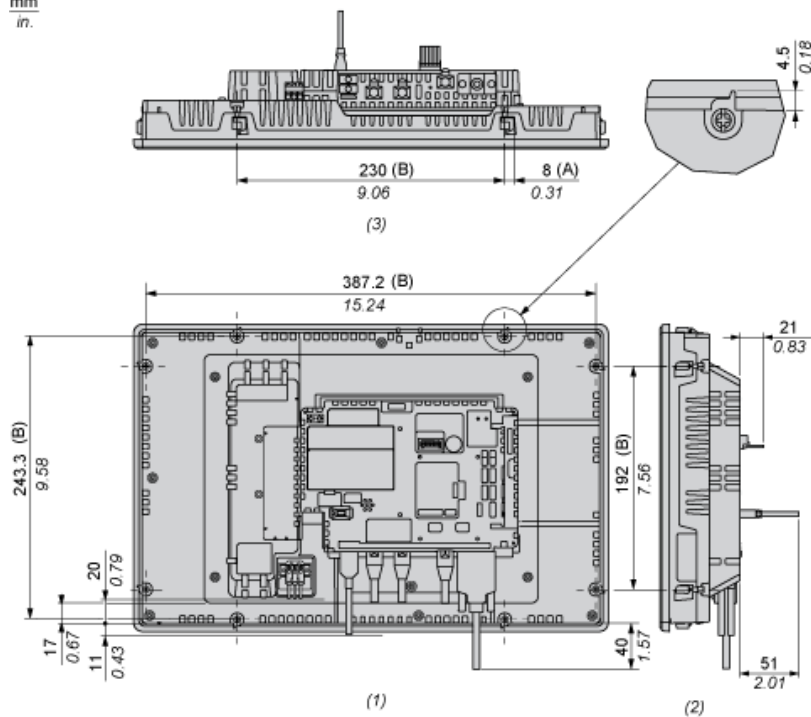
Display Unit with Box Module



- 1 : Front
- 2 : Left
- 3 : Bottom

Dimensions with Cables

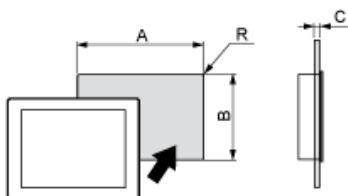
mm
in.



- (A) : Rotation area of the fastener
 (B) : Pitch of the enter of installation fastener screws
 1 : Rear
 2 : Right
 3 : Bottom

Mounting and Clearance

Panel Cut Dimensions



Dimensions in mm

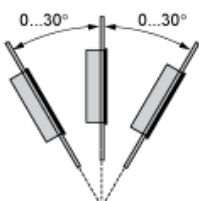
A	B	C	R
394 (+1/-0)	250 (+1/-0)	1.6...5	3 max.

Dimensions in in.

A	B	C	R
15.51 (+0.04/-0)	9.84 (+0.04/-0)	0.06...0.2	0.12 max.

Installation Requirements

Mounting Angle



When installing this product in a slanted position, the product face should not incline more that 30°.

Clearance

