

BSH0401P06A2A

AC servo motor BSH - 0.21N.m - 9000 rpm -
untapped shaft - without brake - IP50



Main

Product or Component Type	Servo motor
Device short name	BSH
Maximum mechanical speed	10000 rpm
Continuous stall torque	1.86 Lbf.In (0.21 N.m) LXM32.U60N4 1.5 A, 480 V, three phase 1.86 Lbf.In (0.21 N.m) LXM32.U60N4 1.5 A, 400 V, three phase 1.86 lbf.in (0.21 N.m) LXM32.U45M2 1.5 A, 230 V, single phase
Peak stall torque	7.08 Lbf.In (0.8 N.m) LXM32.U60N4 1.5 A, 480 V, three phase 7.08 Lbf.In (0.8 N.m) LXM32.U60N4 1.5 A, 400 V, three phase 7.08 lbf.in (0.8 N.m) LXM32.U45M2 1.5 A, 230 V, single phase
Nominal output power	166 W LXM32.U60N4 1.5 A, 480 V, three phase 166 W LXM32.U60N4 1.5 A, 400 V, three phase 77 W LXM32.U45M2 1.5 A, 230 V, single phase
Nominal torque	1.56 Lbf.In (0.176 N.m) LXM32.U60N4 1.5 A, 480 V, three phase 1.56 Lbf.In (0.176 N.m) LXM32.U60N4 1.5 A, 400 V, three phase 1.63 lbf.in (0.184 N.m) LXM32.U45M2 1.5 A, 230 V, single phase
Nominal speed	9000 rpm LXM32.U60N4 1.5 A, 480 V, three phase 9000 rpm LXM32.U60N4 1.5 A, 400 V, three phase 4000 rpm LXM32.U45M2 1.5 A, 230 V, single phase
Shaft end	Smooth shaft
IP Degree of Protection	IP50 standard
Speed feedback resolution	32768 points/turn
Holding brake	Without
Mounting Support	International standard flange
Electrical Connection	Rotatable right-angled connectors

Complementary

Range Compatibility	Lexium 32
Supply voltage max	400 V
Phase	Three phase
Continuous stall current	1.12 A
Maximum continuous power	220 W
Maximum current Irms	4.7 A LXM32.U60N4 480 V 4.7 A LXM32.U60N4 400 V 4.7 A LXM32.U45M2 230 V
Maximum permanent current	1.12 A
Switching frequency	8 kHz
Second shaft	Without second shaft end
Shaft diameter	0.31 in (8 mm)
Shaft length	0.98 in (25 mm)
Feedback type	Single turn SinCos Hiperface
Motor flange size	1.57 in (40 mm)

The information provided in this documentation contains general descriptions and/or technical characteristics of the performance of the products contained herein. This documentation is not intended as a substitute for and is not to be used for determining suitability or reliability of these products for specific user applications. It is the duty of any such user or integrator to perform the appropriate and complete risk analysis, evaluation and testing of the products with respect to the relevant specific application or use thereof. Neither Schneider Electric Industries SAS nor any of its affiliates or subsidiaries shall be responsible or liable for misuse of the information contained herein.

Number of motor stacks	1
Torque constant	0.19 N.m/A 248 °F (120 °C)
Back emf constant	13.6 V/krpm 68 °F (20 °C)
Number of motor poles	10
Rotor inertia	0.0232 kg.cm ²
Stator resistance	17.2 Ohm 68 °F (20 °C)
Stator inductance	14.6 mH 68 °F (20 °C)
Stator electrical time constant	0.85 ms 68 °F (20 °C)
Maximum axial force Fa	0.2 x Fr
Type of cooling	Natural convection
Length	2.89 in (73.4 mm)
Centring collar diameter	1.18 in (30 mm)
Centring collar depth	0.10 in (2.5 mm)
Number of mounting holes	4
Mounting holes diameter	0.18 in (4.5 mm)
Circle diameter of the mounting holes	1.81 in (46 mm)
Product Weight	0.88 lb(US) (0.4 kg)

Ordering and shipping details

Category	18282 - LEXIUM 32 MOTORS
Discount Schedule	PC53
GTIN	03606485467085
Nbr. of units in pkg.	1
Package weight(Lbs)	22.12 oz (627 g)
Returnability	No
Country of origin	DE

Packing Units

Unit Type of Package 1	PCE
Package 1 Height	4.33 in (11 cm)
Package 1 width	6.69 in (17 cm)
Package 1 Length	9.45 in (24 cm)

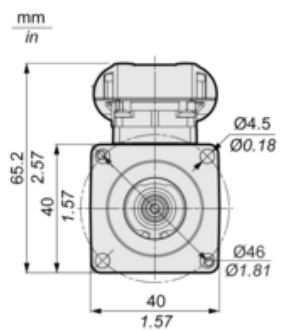
Offer Sustainability

Sustainable offer status	Green Premium product
California proposition 65	WARNING: This product can expose you to chemicals including: Lead and lead compounds, which is known to the State of California to cause cancer and birth defects or other reproductive harm. For more information go to www.P65Warnings.ca.gov
REACH Regulation	REACH Declaration
EU RoHS Directive	Pro-active compliance (Product out of EU RoHS legal scope) EU RoHS Declaration
Mercury free	Yes
RoHS exemption information	Yes
China RoHS Regulation	China RoHS Declaration
Environmental Disclosure	Product Environmental Profile
WEEE	The product must be disposed on European Union markets following specific waste collection and never end up in rubbish bins.
PVC free	Yes

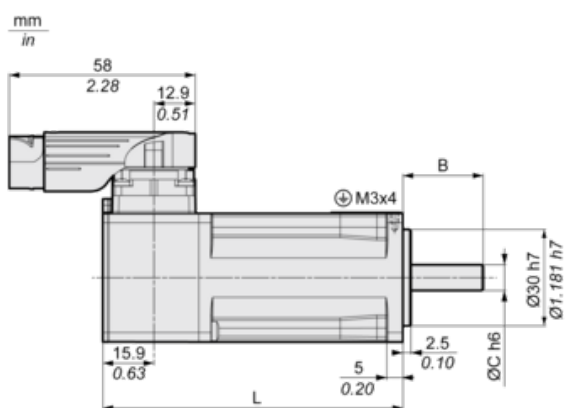
Servo Motors Dimensions

For Servo Motor without Brake

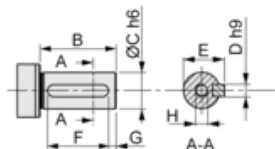
Front view



Left view



DIN 6885 A



	Dimensions in mm	Dimensions in in.
L	73.4	2.89
B	25	0.98
C	8	0.31
D	3	0.12
E	9.2	0.36
F	12	0.47
G	4	0.16
H	DIN 332 DS M3 x 9	
A	DIN 6885-A3x3x12	