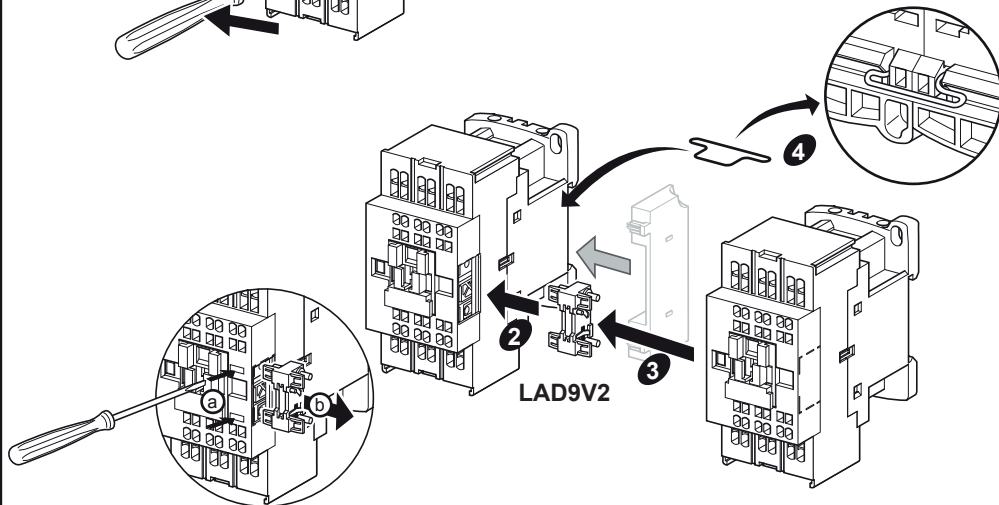
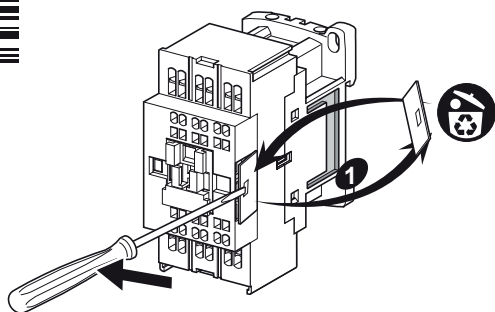
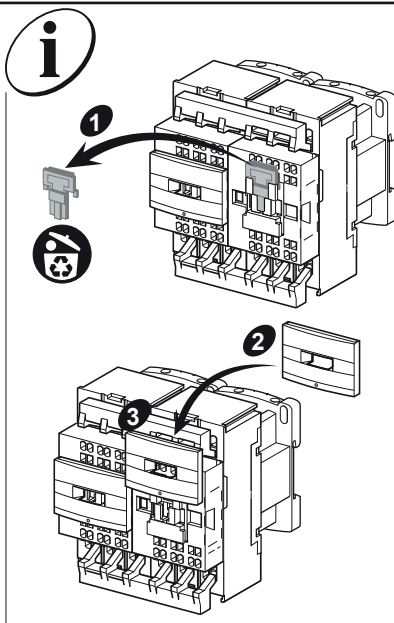


LAD9V10 / V11 / V12 / V13 (2 x LC1D●●3 / LC2D●●3)

www.schneider-electric.com



W916433930131

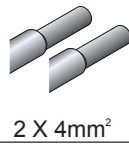
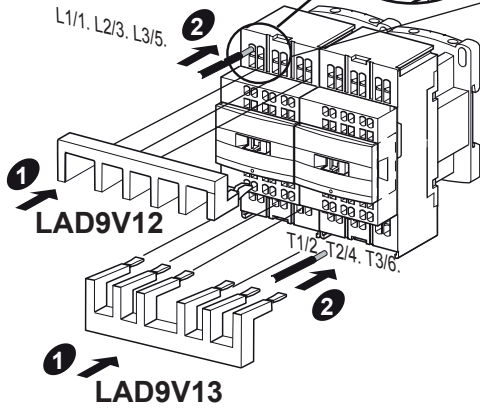
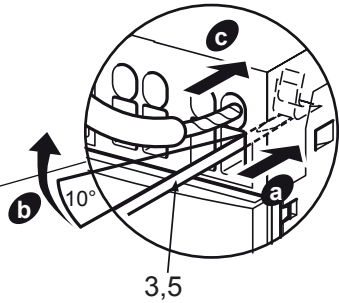
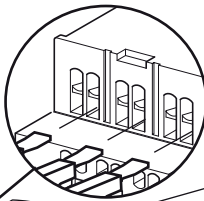


⚠ ⚠ DANGER

HAZARD OF ELECTRIC SHOCK, EXPLOSION, OR ARC FLASH
Disconnect all power before servicing equipment.
Failure to follow these instructions will result in death
or serious injury.



<math><4\text{mm}^2</math>



2 X 4mm²



LC2D323

