

Lexium 32M

Servo Drive

User Guide

07/2020



The information provided in this documentation contains general descriptions and/or technical characteristics of the performance of the products contained herein. This documentation is not intended as a substitute for and is not to be used for determining suitability or reliability of these products for specific user applications. It is the duty of any such user or integrator to perform the appropriate and complete risk analysis, evaluation and testing of the products with respect to the relevant specific application or use thereof. Neither Schneider Electric nor any of its affiliates or subsidiaries shall be responsible or liable for misuse of the information contained herein. If you have any suggestions for improvements or amendments or have found errors in this publication, please notify us.

You agree not to reproduce, other than for your own personal, noncommercial use, all or part of this document on any medium whatsoever without permission of Schneider Electric, given in writing. You also agree not to establish any hypertext links to this document or its content. Schneider Electric does not grant any right or license for the personal and noncommercial use of the document or its content, except for a non-exclusive license to consult it on an "as is" basis, at your own risk. All other rights are reserved.

All pertinent state, regional, and local safety regulations must be observed when installing and using this product. For reasons of safety and to help ensure compliance with documented system data, only the manufacturer should perform repairs to components.

When devices are used for applications with technical safety requirements, the relevant instructions must be followed.

Failure to use Schneider Electric software or approved software with our hardware products may result in injury, harm, or improper operating results.

Failure to observe this information can result in injury or equipment damage.

© 2020 Schneider Electric. All rights reserved.

Table of Contents



	Safety Information	9
	About the Book	13
Chapter 1	Introduction	19
	Device Overview	20
	Components and Interfaces	21
	Nameplate	22
	Type Code	23
Chapter 2	Technical Data	25
	Environmental Conditions	26
	Dimensions	28
	Power Stage Data - General	31
	Power Stage Data - Drive-Specific	33
	Peak Output Currents	38
	DC Bus Data	39
	24 Vdc Control Supply	41
	Signals	42
	Output PTO (CN4)	44
	Input PTI (CN5)	45
	Capacitor and Braking Resistor	50
	Electromagnetic Emission	54
	Nonvolatile Memory and Memory Card	56
	Certifications	57
	Conditions for UL 508C and CSA	58
Chapter 3	Engineering	59
3.1	Electromagnetic Compatibility (EMC)	60
	General	61
	Deactivating the Y Capacitors	66
3.2	Cables and Signals	67
	Cables - General	68
	Overview of the Required Cables	70
	Cable Specifications	71
	Logic Type	74
	Configurable Inputs and Outputs	75
3.3	Mains Supply	76
	Residual Current Device	77
	Common DC Bus	78
	Mains Reactor	79
3.4	Rating the Braking Resistor	80
	Internal Braking Resistor	81
	External Braking Resistor	82
	Rating Information	83
3.5	Functional Safety	86
	Basics	87
	Definitions	90
	Function	91
	Requirements for Using the Safety-Related Function STO	92
	Application Examples STO	94

Chapter 4	Installation	97
4.1	Mechanical Installation	98
	Before Mounting	99
	Installing and removing modules	101
	Mounting the Drive	104
4.2	Electrical Installation	106
	Overview of Procedure	107
	Connection Overview	108
	Connection Grounding Screw	109
	Connection Motor Phases and Holding Brake (CN10 and CN11)	111
	Connection DC Bus (CN9, DC Bus)	116
	Connection Braking Resistor (CN8, Braking Resistor)	117
	Connection Power Stage Supply (CN1)	120
	Connection Motor Encoder (CN3)	124
	Connection PTO (CN4, Pulse Train Out)	126
	Connection PTI (CN5, Pulse Train In)	127
	Connection 24 Vdc Control Supply and STO (CN2, DC Supply and STO)	130
	Connection Digital Inputs and Outputs (CN6)	132
	Connection PC with Commissioning Software (CN7)	134
4.3	Verifying Installation	135
	Verifying Installation	135
Chapter 5	Commissioning	137
5.1	Overview	138
	General	139
	Preparation	141
5.2	Integrated HMI	142
	Overview of Integrated HMI	143
	Menu Structure	146
	Making Settings	152
5.3	External graphic display terminal	153
	Display and Controls	154
	Connecting the external graphic display terminal to LXM32	156
	Using the external graphic display terminal	157
5.4	Commissioning Procedure	158
	Powering on the Device for the First Time	159
	Setting Limit Values	160
	Digital Inputs and Outputs	162
	Verifying the Signals of the Limit Switches	164
	Verifying the Safety Function STO	165
	Holding Brake (Option)	166
	Verifying the Direction of Movement	170
	Setting Parameters for Encoder	171
	Setting the Braking Resistor Parameters	175
	Autotuning	177
	Enhanced Settings for Autotuning	179
5.5	Controller Optimization with Step Response	181
	Controller Structure	182
	Optimization	184
	Optimizing the Velocity Controller	185
	Verifying and Optimizing the P Gain	189
	Optimizing the Position Controller	190

5.6	Parameter Management	192
	Memory Card	193
	Duplicating Existing Parameter Values	196
	Resetting the User Parameters	197
	Restoring Factory Settings	198
Chapter 6	Operation	199
6.1	Access Channels	200
	Access Channels	200
6.2	Control Mode	202
	Control Mode	202
6.3	Movement Range	203
	Size of the Movement Range	204
	Movement Beyond the Movement Range	205
	Setting a Modulo Range	207
6.4	Modulo Range	208
	Setting a Modulo Range	209
	Parameterization	210
	Examples with Relative Movements	212
	Examples with Absolute Movements and "Shortest Distance"	213
	Examples with Absolute Movements and "Positive Direction"	214
	Examples with Absolute Movements and "Negative Direction"	215
6.5	Scaling	216
	General	217
	Configuration of Position Scaling	218
	Configuration of Velocity Scaling	219
	Configuration of Ramp Scaling	220
6.6	Digital Signal Inputs and Digital Signal Outputs	221
	Parameterization of the Signal Input Functions	222
	Parameterization of the Signal Output Functions	231
	Parameterization of Software Debouncing	236
6.7	PTI and PTO Interface	238
	Setting the PTI Interface	239
	Setting the PTO Interface	240
6.8	Switching Between Control Loop Parameter Sets	242
	Overview of the Controller Structure	243
	Overview of Position Controller	244
	Overview of Velocity Controller	245
	Overview of Current Controller	246
	Parameterizable Control Loop Parameters	247
	Selecting a Control Loop Parameter Set	248
	Automatically Switching Between Control Loop Parameter Sets	249
	Copying a Control Loop Parameter Set	252
	Deactivating the Integral Term	253
	Control Loop Parameter Set 1	254
	Control Loop Parameter Set 2	256
6.9	PWM Frequency of the Power Stage	258
	PWM Frequency of the Power Stage	258
Chapter 7	Operating States and Operating Modes	259
7.1	Operating States	260
	State Diagram and State Transitions	261
	Indication of the Operating State via HMI	264
	Indication of the Operating State via Signal Outputs	265

Indication of the Operating State via Fieldbus	266
Changing the Operating State via HMI	267
Changing the Operating State via Signal Inputs	268
Changing the Operating State via Fieldbus	269
7.2 Operating Modes	270
Starting and Changing an Operating Mode	270
7.3 Operating Mode Jog	272
Overview	273
Parameterization	277
Additional Settings	280
7.4 Operating Mode Electronic Gear	281
Overview	282
Parameterization	284
Additional Settings	290
7.5 Operating Mode Profile Torque	291
Overview	292
Parameterization	294
Additional Settings	299
7.6 Operating Mode Profile Velocity	300
Overview	301
Parameterization	303
Additional Settings	307
7.7 Operating Mode Profile Position	308
Overview	309
Parameterization	311
Additional Settings	313
7.8 Operating Mode Interpolated Position	314
Overview	315
Parameterization	317
7.9 Operating Mode Homing	320
Overview	321
Parameterization	323
Reference Movement to a Limit Switch	327
Reference Movement to the Reference Switch in Positive Direction	328
Reference Movement to the Reference Switch in Negative Direction	329
Reference Movement to the Index Pulse	330
Position Setting	331
Additional Settings	332
7.10 Operating Mode Motion Sequence	333
Overview	334
Start of a Data Set with Sequence	336
Start of a Data Set without Sequence	338
Structure of a Data Set	339
Error Diagnostics	343
Additional Settings	344
Chapter 8 Functions for Operation	345
8.1 Functions for Target Value Processing	346
Motion Profile for the Velocity	347
Jerk Limitation	349
Stopping Movement with Halt	351
Stopping Movement with Quick Stop	352
Inverting the Analog Signal Inputs	354
Limitation of the Velocity via Signal Inputs	355
Limitation of the Current via Signal Inputs	357
Zero Clamp	359

Setting a Signal Output via Parameter	360
Starting a Movement via a Signal Input	361
Position Capture via Signal Input (Vendor-Specific Profile)	362
Position Capture via Signal Input (DS402 Profile)	367
Relative Movement After Capture (RMAC)	371
Backlash Compensation	374
8.2 Functions for Monitoring Movements	376
Limit Switches	377
Reference Switch	378
Software Limit Switches	379
Load-Dependent Position Deviation (Following Error)	381
Load-Dependent Velocity Deviation	383
Motor Standstill and Direction of Movement	385
Torque Window	386
Velocity Window	387
Standstill Window	388
Position Register	390
Position Deviation Window	395
Velocity Deviation Window	397
Velocity Threshold Value	399
Current Threshold Value	400
Adjustable Bits of the Status Parameters	402
8.3 Functions for Monitoring Internal Device Signals	405
Temperature Monitoring	406
Monitoring Load and Overload (I ² T Monitoring)	407
Commutation Monitoring	409
Monitoring of Mains Phases	410
Ground Monitoring	412
Chapter 9 Examples	413
Examples	413
Chapter 10 Diagnostics and Troubleshooting	415
10.1 Diagnostics via HMI	416
Diagnostics via the Integrated HMI	417
Acknowledging a Motor Change	418
Acknowledging a Module Replacement	419
Displaying error messages via the HMI	420
10.2 Diagnostics via Signal Outputs	422
Indicating the Operating State	423
Indicating Error Messages	424
10.3 Diagnostics via the Fieldbus	425
Fieldbus Communication Error Diagnostics	426
Most Recent Detected Error - Status Bits	427
Most Recent Detected Error - Error Code	430
Error Memory	431
10.4 Error Messages	434
Description of Error Messages	435
Table of Error Messages	436
Chapter 11 Parameters	471
Representation of the Parameters	472
List of Parameters	475
Chapter 12 Accessories and Spare Parts	613
Commissioning Tools	614
Memory Cards	615
Additional Modules	616
Safety Module eSM	617

	Application Nameplate	618
	Mounting Accessories	619
	CANopen Cable With Connectors	620
	CANopen Connectors, Distributors, Terminating Resistors	621
	CANopen Cables With Open Cable Ends	622
	Adapter Cable for Encoder Signals LXM05/LXM15 to LXM32	623
	Cables for PTO and PTI	624
	Motor Cables	625
	Encoder Cables	628
	Connectors	629
	External Braking Resistors	630
	DC Bus Accessories	631
	Mains Reactors	632
	External Mains Filters	633
	Spare Parts Connectors, Fans, Cover Plates	634
Chapter 13	Service, Maintenance, and Disposal	635
	Service Addresses	636
	Maintenance	637
	Replacing the Product	638
	Replacement of the Motor	639
	Shipping, Storage, Disposal	640
Glossary	641
Index	645



Important Information

NOTICE

Read these instructions carefully, and look at the equipment to become familiar with the device before trying to install, operate, service, or maintain it. The following special messages may appear throughout this documentation or on the equipment to warn of potential hazards or to call attention to information that clarifies or simplifies a procedure.



The addition of this symbol to a “Danger” or “Warning” safety label indicates that an electrical hazard exists which will result in personal injury if the instructions are not followed.



This is the safety alert symbol. It is used to alert you to potential personal injury hazards. Obey all safety messages that follow this symbol to avoid possible injury or death.

DANGER

DANGER indicates a hazardous situation which, if not avoided, **will result in** death or serious injury.

WARNING

WARNING indicates a hazardous situation which, if not avoided, **could result in** death or serious injury.

CAUTION

CAUTION indicates a hazardous situation which, if not avoided, **could result in** minor or moderate injury.

NOTICE

NOTICE is used to address practices not related to physical injury.

PLEASE NOTE

Electrical equipment should be installed, operated, serviced, and maintained only by qualified personnel. No responsibility is assumed by Schneider Electric for any consequences arising out of the use of this material.

A qualified person is one who has skills and knowledge related to the construction and operation of electrical equipment and its installation, and has received safety training to recognize and avoid the hazards involved.

QUALIFICATION OF PERSONNEL

Only appropriately trained persons who are familiar with and understand the contents of this manual and all other pertinent product documentation are authorized to work on and with this product. These persons must have sufficient technical training, knowledge and experience and be able to foresee and detect potential hazards that may be caused by using the product, by modifying the settings and by the mechanical, electrical and electronic equipment of the entire system in which the product is used.

The qualified person must be able to detect possible hazards that may arise from parameterization, modifying parameter values and generally from mechanical, electrical, or electronic equipment.

The qualified person must be familiar with the standards, provisions, and regulations for the prevention of industrial accidents, which they must observe when designing and implementing the system.

INTENDED USE

The products described or affected by this document are, along with software, accessories and options, servo-drive systems for three-phase servo motors. The products are intended for industrial use according to the instructions, directions, examples and safety information contained in the present user guide and other supporting documentation.

The product may only be used in compliance with all applicable safety regulations and directives, the specified requirements and the technical data.

Prior to using the products, you must perform a risk assessment in view of the planned application. Based on the results, the appropriate safety-related measures must be implemented.

Since the products are used as components in an overall machine or process, you must ensure the safety of persons by means of the design of this overall machine or process.

Operate the products only with the specified cables and accessories. Use only genuine accessories and spare parts.

Any use other than the use explicitly permitted as described herein is prohibited and may result in unanticipated hazards.

BEFORE YOU BEGIN

Do not use this product on machinery lacking effective point-of-operation guarding. Lack of effective point-of-operation guarding on a machine can result in serious injury to the operator of that machine.

WARNING

UNGUARDED EQUIPMENT

- Do not use this software and related automation equipment on equipment which does not have point-of-operation protection.
- Do not reach into machinery during operation.

Failure to follow these instructions can result in death, serious injury, or equipment damage.

This automation equipment and related software is used to control a variety of industrial processes. The type or model of automation equipment suitable for each application will vary depending on factors such as the control function required, degree of protection required, production methods, unusual conditions, government regulations, etc. In some applications, more than one processor may be required, as when backup redundancy is needed.

Only you, the user, machine builder or system integrator can be aware of all the conditions and factors present during setup, operation, and maintenance of the machine and, therefore, can determine the automation equipment and the related safeties and interlocks which can be properly used. When selecting automation and control equipment and related software for a particular application, you should refer to the applicable local and national standards and regulations. The National Safety Council's Accident Prevention Manual (nationally recognized in the United States of America) also provides much useful information.

In some applications, such as packaging machinery, additional operator protection such as point-of-operation guarding must be provided. This is necessary if the operator's hands and other parts of the body are free to enter the pinch points or other hazardous areas and serious injury can occur. Software products alone cannot protect an operator from injury. For this reason the software cannot be substituted for or take the place of point-of-operation protection.

Ensure that appropriate safeties and mechanical/electrical interlocks related to point-of-operation protection have been installed and are operational before placing the equipment into service. All interlocks and safeties related to point-of-operation protection must be coordinated with the related automation equipment and software programming.

NOTE: Coordination of safeties and mechanical/electrical interlocks for point-of-operation protection is outside the scope of the Function Block Library, System User Guide, or other implementation referenced in this documentation.

START-UP AND TEST

Before using electrical control and automation equipment for regular operation after installation, the system should be given a start-up test by qualified personnel to verify correct operation of the equipment. It is important that arrangements for such a check be made and that enough time is allowed to perform complete and satisfactory testing.

WARNING

EQUIPMENT OPERATION HAZARD

- Verify that all installation and set up procedures have been completed.
- Before operational tests are performed, remove all blocks or other temporary holding means used for shipment from all component devices.
- Remove tools, meters, and debris from equipment.

Failure to follow these instructions can result in death, serious injury, or equipment damage.

Follow all start-up tests recommended in the equipment documentation. Store all equipment documentation for future references.

Software testing must be done in both simulated and real environments.

Verify that the completed system is free from all short circuits and temporary grounds that are not installed according to local regulations (according to the National Electrical Code in the U.S.A, for instance). If high-potential voltage testing is necessary, follow recommendations in equipment documentation to prevent accidental equipment damage.

Before energizing equipment:

- Remove tools, meters, and debris from equipment.
- Close the equipment enclosure door.
- Remove all temporary grounds from incoming power lines.
- Perform all start-up tests recommended by the manufacturer.

OPERATION AND ADJUSTMENTS

The following precautions are from the NEMA Standards Publication ICS 7.1-1995 (English version prevails):

- Regardless of the care exercised in the design and manufacture of equipment or in the selection and ratings of components, there are hazards that can be encountered if such equipment is improperly operated.
- It is sometimes possible to misadjust the equipment and thus produce unsatisfactory or unsafe operation. Always use the manufacturer's instructions as a guide for functional adjustments. Personnel who have access to these adjustments should be familiar with the equipment manufacturer's instructions and the machinery used with the electrical equipment.
- Only those operational adjustments actually required by the operator should be accessible to the operator. Access to other controls should be restricted to prevent unauthorized changes in operating characteristics.



At a Glance

Document Scope

This manual describes technical characteristics, installation, commissioning, operation and maintenance of the servo drive Lexium 32M (LXM32M).

Validity Note

This manual is valid for the standard products listed in the type code, see chapter Type Code (*see page 23*).

For product compliance and environmental information (RoHS, REACH, PEP, EOLI, etc.), go to www.schneider-electric.com/green-premium.

The technical characteristics of the devices described in the present document also appear online. To access the information online, go to the Schneider Electric home page <https://www.se.com/ww/en/download/>.

The characteristics that are described in the present document should be the same as those characteristics that appear online. In line with our policy of constant improvement, we may revise content over time to improve clarity and accuracy. If you see a difference between the document and online information, use the online information as your reference.

Related Documents

Title of documentation	Reference number
LXM32M - AC servo drive - Product manual (this manual)	0198441113767 (eng) 0198441113768 (fre) 0198441113766 (ger) 0198441113770 (spa) 0198441113769 (ita) 0198441113771 (chi)
LXM32 - Common DC bus - Application note	MNA01M001EN (eng) MNA01M001DE (ger)
LXM32M - CANopen module - Fieldbus manual	0198441113790 (eng) 0198441113791 (fre) 0198441113789 (ger)
LXM32M - DeviceNet module - Fieldbus manual	0198441113808 (eng) 0198441113809 (fre) 0198441113807 (ger)
LXM32M - EtherCAT module - Fieldbus manual	0198441113868 (eng) 0198441113869 (fre) 0198441113867 (ger)
LXM32M - EtherNet/IP module - Fieldbus manual	0198441113802 (eng) 0198441113803 (fre) 0198441113801 (ger)
LXM32M - Modbus/TCP module - Fieldbus manual	0198441113843 (eng) 0198441113844 (fre) 0198441113842 (ger)
LXM32M - Profibus DP-V1 module - Fieldbus manual	0198441113796 (eng) 0198441113797 (fre) 0198441113795 (ger)
LXM32M - PROFINET module - Fieldbus manual	0198441114106 (eng) 0198441114107 (fre) 0198441114105 (ger)
LXM32M - ANA, DIG and RSR encoder modules - Module manual	0198441113818 (eng) 0198441113819 (fre) 0198441113817 (ger)

Title of documentation	Reference number
LXM32M - IOM1 module - Module manual	0198441113874 (eng) 0198441113875 (fre) 0198441113873 (ger)
LXM32M - eSM safety module - Module manual	0198441113825 (eng) 0198441113826 (fre) 0198441113824 (ger)

You can download these technical publications and other technical information from our website at www.schneider-electric.com/en/download.

Product Related Information

The use and application of the information contained herein require expertise in the design and programming of automated control systems.

Only you, the user, machine builder or integrator, can be aware of all the conditions and factors present during installation and setup, operation, repair and maintenance of the machine or process.

You must also consider any applicable standards and/or regulations with respect to grounding of all equipment. Verify compliance with any safety information, different electrical requirements, and normative standards that apply to your machine or process in the use of this equipment.

Many components of the equipment, including the printed circuit board, operate with mains voltage, or present transformed high currents, and/or high voltages.

The motor itself generates voltage when the motor shaft is rotated.

DANGER

ELECTRIC SHOCK, EXPLOSION, OR ARC FLASH

- Disconnect all power from all equipment including connected devices prior to removing any covers or doors, or installing or removing any accessories, hardware, cables, or wires.
- Place a "Do Not Turn On" or equivalent hazard label on all power switches and lock them in the non-energized position.
- Wait 15 minutes to allow the residual energy of the DC bus capacitors to discharge.
- Measure the voltage on the DC bus with a properly rated voltage sensing device and verify that the voltage is less than 42.4 Vdc.
- Do not assume that the DC bus is voltage-free when the DC bus LED is off.
- Block the motor shaft to prevent rotation prior to performing any type of work on the drive system.
- Do not create a short-circuit across the DC bus terminals or the DC bus capacitors.
- Replace and secure all covers, accessories, hardware, cables, and wires and confirm that a proper ground connection exists before applying power to the unit.
- Use only the specified voltage when operating this equipment and any associated products.

Failure to follow these instructions will result in death or serious injury.

This equipment has been designed to operate outside of any hazardous location. Only install this equipment in zones known to be free of a hazardous atmosphere.

DANGER

POTENTIAL FOR EXPLOSION

Install and use this equipment in non-hazardous locations only.

Failure to follow these instructions will result in death or serious injury.

If the power stage is disabled unintentionally, for example as a result of power outage, errors or functions, the motor is no longer decelerated in a controlled way. Overload, errors or incorrect use may cause the holding brake to no longer operate properly and may result in premature wear.

WARNING

UNINTENDED EQUIPMENT OPERATION

- Verify that movements without braking effect cannot cause injuries or equipment damage.
- Verify the function of the holding brake at regular intervals.
- Do not use the holding brake as a service brake.
- Do not use the holding brake for safety-related purposes.

Failure to follow these instructions can result in death, serious injury, or equipment damage.

Drive systems may perform unanticipated movements because of incorrect wiring, incorrect settings, incorrect data or other errors.

WARNING

UNINTENDED MOVEMENT OR MACHINE OPERATION

- Carefully install the wiring in accordance with the EMC requirements.
- Do not operate the product with undetermined settings and data.
- Perform comprehensive commissioning tests that include verification of configuration settings and data that determine position and movement.

Failure to follow these instructions can result in death, serious injury, or equipment damage.

WARNING

LOSS OF CONTROL

- The designer of any control scheme must consider the potential failure modes of control paths and, for certain critical control functions, provide a means to achieve a safe state during and after a path failure. Examples of critical control functions are emergency stop and overtravel stop, power outage and restart.
- Separate or redundant control paths must be provided for critical control functions.
- System control paths may include communication links. Consideration must be given to the implications of unanticipated transmission delays or failures of the link.
- Observe all accident prevention regulations and local safety guidelines.¹
- Each implementation of this equipment must be individually and thoroughly tested for proper operation before being placed into service.

Failure to follow these instructions can result in death, serious injury, or equipment damage.

¹ For additional information, refer to NEMA ICS 1.1 (latest edition), "Safety Guidelines for the Application, Installation, and Maintenance of Solid State Control" and to NEMA ICS 7.1 (latest edition), "Safety Standards for Construction and Guide for Selection, Installation and Operation of Adjustable-Speed Drive Systems" or their equivalent governing your particular location.

Machines, controllers, and related equipment are usually integrated into networks. Unauthorized persons and malware may gain access to the machine as well as to other devices on the network/fieldbus of the machine and connected networks via insufficiently secure access to software and networks.

Schneider Electric adheres to industry best practices in the development and implementation of control systems. This includes a "Defense-in-Depth" approach to secure an Industrial Control System. This approach places the controllers behind one or more firewalls to restrict access to authorized personnel and protocols only.

WARNING

UNAUTHENTICATED ACCESS AND SUBSEQUENT UNAUTHORIZED MACHINE OPERATION

- Evaluate whether your environment or your machines are connected to your critical infrastructure and, if so, take appropriate steps in terms of prevention, based on Defense-in-Depth, before connecting the automation system to any network.
- Limit the number of devices connected to a network to the minimum necessary.
- Isolate your industrial network from other networks inside your company.
- Protect any network against unintended access by using firewalls, VPN, or other, proven security measures.
- Monitor activities within your systems.
- Prevent subject devices from direct access or direct link by unauthorized parties or unauthenticated actions.
- Prepare a recovery plan including backup of your system and process information.

Failure to follow these instructions can result in death, serious injury, or equipment damage.

For more information on organizational measures and rules covering access to infrastructures, refer to ISO/IEC 27000 series, Common Criteria for Information Technology Security Evaluation, ISO/IEC 15408, IEC 62351, ISA/IEC 62443, NIST Cybersecurity Framework, Information Security Forum - Standard of Good Practice for Information Security.

For reasons of Internet security, TCP/IP forwarding is disabled by default. Therefore, you must manually enable TCP/IP forwarding. However, doing so may expose your network to possible cyberattacks if you do not take additional measures to protect your enterprise. In addition, you may be subject to laws and regulations concerning cybersecurity.

WARNING

UNAUTHENTICATED ACCESS AND SUBSEQUENT NETWORK INTRUSION

- Observe and respect any and all pertinent national, regional and local cybersecurity and/or personal data laws and regulations when enabling TCP/IP forwarding on an industrial network.
- Isolate your industrial network from other networks inside your company.
- Protect any network against unintended access by using firewalls, VPN, or other, proven security measures.

Failure to follow these instructions can result in death, serious injury, or equipment damage.

Consult the [Schneider Electric Cybersecurity Best Practices](#) for additional information.

Use the latest firmware version. Visit <https://www.se.com> or contact your Schneider Electric representative for information on firmware updates that may involve Ethernet connections.

DC Bus Voltage Measurement

The DC bus voltage can exceed 800 Vdc. The DC bus LED is not an indicator of the absence of DC bus voltage.

DANGER

ELECTRIC SHOCK, EXPLOSION OR ARC FLASH

- Disconnect the voltage supply to all connections.
- Wait 15 minutes to allow the DC bus capacitors to discharge.
- Use a properly rated voltage-sensing device for measuring (greater than 800 Vdc).
- Measure the DC bus voltage between the DC bus terminals (PA/+ and PC/-) to verify that the voltage is less than 42 Vdc.
- Contact your local Schneider Electric representative if the DC bus capacitors do not discharge to less than 42 Vdc within a period of 15 minutes.
- Do not operate the product if the DC bus capacitors do not discharge properly.
- Do not attempt to repair the product if the DC bus capacitors do not discharge properly.
- Do not assume that the DC bus is voltage-free when the DC bus LED is off.

Failure to follow these instructions will result in death or serious injury.

Terminology Derived from Standards

The technical terms, terminology, symbols and the corresponding descriptions in this manual, or that appear in or on the products themselves, are generally derived from the terms or definitions of international standards.

In the area of functional safety systems, drives and general automation, this may include, but is not limited to, terms such as *safety*, *safety function*, *safe state*, *fault*, *fault reset*, *malfunction*, *failure*, *error*, *error message*, *dangerous*, etc.

Among others, these standards include:

Standard	Description
IEC 61131-2:2007	Programmable controllers, part 2: Equipment requirements and tests.
ISO 13849-1:2015	Safety of machinery: Safety related parts of control systems. General principles for design.
EN 61496-1:2013	Safety of machinery: Electro-sensitive protective equipment. Part 1: General requirements and tests.
ISO 12100:2010	Safety of machinery - General principles for design - Risk assessment and risk reduction
EN 60204-1:2006	Safety of machinery - Electrical equipment of machines - Part 1: General requirements
ISO 14119:2013	Safety of machinery - Interlocking devices associated with guards - Principles for design and selection
ISO 13850:2015	Safety of machinery - Emergency stop - Principles for design
IEC 62061:2015	Safety of machinery - Functional safety of safety-related electrical, electronic, and electronic programmable control systems
IEC 61508-1:2010	Functional safety of electrical/electronic/programmable electronic safety-related systems: General requirements.
IEC 61508-2:2010	Functional safety of electrical/electronic/programmable electronic safety-related systems: Requirements for electrical/electronic/programmable electronic safety-related systems.
IEC 61508-3:2010	Functional safety of electrical/electronic/programmable electronic safety-related systems: Software requirements.
IEC 61784-3:2016	Industrial communication networks - Profiles - Part 3: Functional safety fieldbuses - General rules and profile definitions.
2006/42/EC	Machinery Directive
2014/30/EU	Electromagnetic Compatibility Directive
2014/35/EU	Low Voltage Directive

In addition, terms used in the present document may tangentially be used as they are derived from other standards such as:

Standard	Description
IEC 60034 series	Rotating electrical machines
IEC 61800 series	Adjustable speed electrical power drive systems
IEC 61158 series	Digital data communications for measurement and control – Fieldbus for use in industrial control systems

Finally, the term *zone of operation* may be used in conjunction with the description of specific hazards, and is defined as it is for a *hazard zone* or *danger zone* in the *Machinery Directive (2006/42/EC)* and *ISO 12100:2010*.

NOTE: The aforementioned standards may or may not apply to the specific products cited in the present documentation. For more information concerning the individual standards applicable to the products described herein, see the characteristics tables for those product references.

Chapter 1

Introduction

What Is in This Chapter?

This chapter contains the following topics:

Topic	Page
Device Overview	20
Components and Interfaces	21
Nameplate	22
Type Code	23

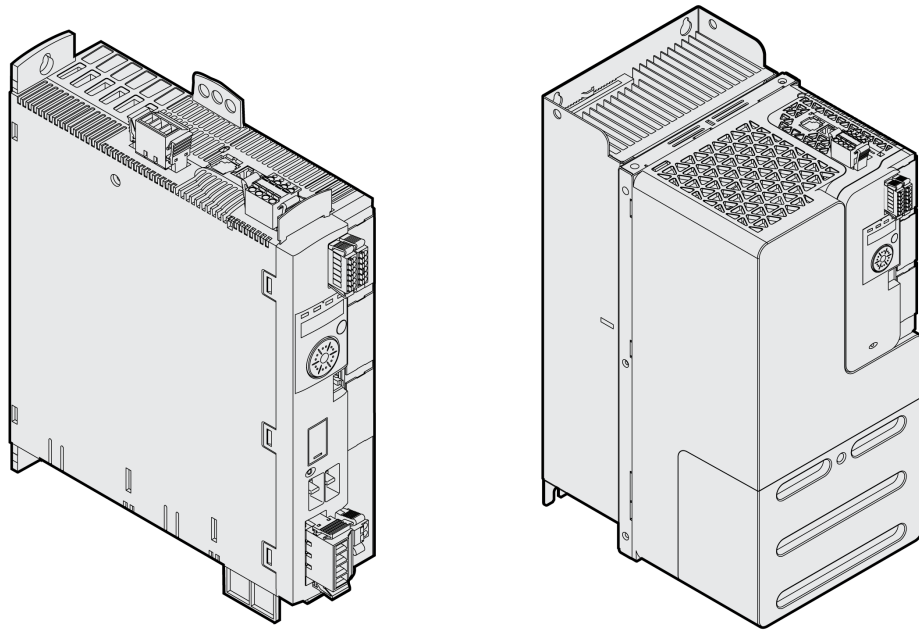
Device Overview

General

The Lexium 32 product family consists of various servo drive models that cover different application areas. Together with Lexium BMH servo motors or Lexium BSH servo motors as well as a comprehensive portfolio of options and accessories, the drives are ideally suited to implement compact, high-performance drive solutions for a wide range of power requirements.

Lexium Servo Drive LXM32M

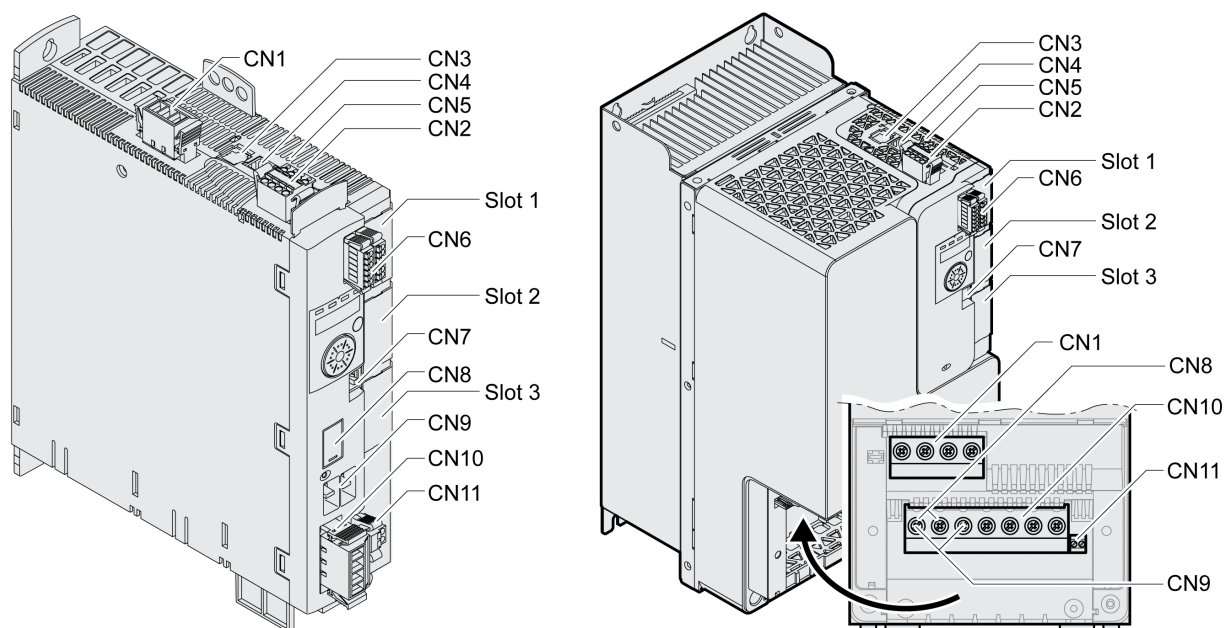
This product manual describes the LXM32M servo drive.



Overview of some of the features of the servo drive:

- The flexible product can be adapted to a wide variety of tasks by means of numerous modules.
- The available fieldbus modules comprise CANopen/CANmotion, DeviceNet, Profibus DP, PROFINET, EtherNet/IP, Modbus-TCP and EtherCAT.
- An optional encoder module allows you to add a second encoder interface for digital encoders, analog encoders or resolvers.
- The product is commissioned via the integrated HMI, a PC with commissioning software or the fieldbus.
- The safety function "Safe Torque Off" (STO) as per IEC 61800-5-2 is integrated into the drive. The optional safety module eSM offers additional safety functions.
- A memory card slot is provided for backup and copying of parameters and fast device replacement.







Components and Interfaces



- CN1** Power stage supply
- CN2** 24 Vdc control supply and safety function STO
- CN3** Motor encoder (Encoder 1)
- CN4** PTO (Pulse Train Out) - ESIM (encoder simulation)
- CN5** PTI (Pulse Train In) - P/D, A/B or CW/CCW signals
- CN6** 6 digital inputs and 3 digital outputs
- CN7** Modbus (commissioning interface)
- CN8** External braking resistor
- CN9** DC bus
- CN10** Motor phases
- CN11** Motor holding brake
- Slot 1** Slot for safety module
- Slot 2** Slot for encoder module (Encoder 2)
- Slot 3** Slot for fieldbus module

Nameplate

The nameplate contains the following data:

Schneider Electric		
LXM32.....		
②	Input a.c. 3-phase	Output
	50 / 60 Hz	continuous max.
	380 V - 5.5 A	6 A - 1.8 kW 18 A
	480 V - 4.5 A	6 A - 1.8 kW 18 A
Multiple rated equipment, see instructions manual		
③	CN1, CN10: Cu AWG10 75°C 5.9 lb.in 0.67 N.m	
	CN8: Cu AWG12 75°C 4.3 lb.in 0.49 N.m	
④	     	IP20
	KCC-RET-SEK-LXM32.....	RS 03
⑤	000000000000 Made in Indonesia	D.O.M dd.mm.yy

- 1 Product type, see type code
- 2 Power stage supply
- 3 Cable specifications and tightening torque
- 4 Certifications
- 5 Serial number
- 6 Output power
- 7 Degree of protection
- 8 Hardware version
- 9 Date of manufacture

Type Code

Item	1	2	3	4	5	6	7	8	9	10	11	12	13	14	15
Type code (example)	L	X	M	3	2	M	D	1	8	M	2

Item	Meaning
1 ... 3	Product family LXM = Lexium
4 ... 5	Product type 32 = AC servo drive for one axis
6	Fieldbus interface M = Modular Drive
7 ... 9	Peak current U45 = 4.5 A _{rms} U60 = 6 A _{rms} U90 = 9 A _{rms} D12 = 12 A _{rms} D18 = 18 A _{rms} D30 = 30 A _{rms} D72 = 72 A _{rms} D85 = 85 A _{rms} C10 = 100 A _{rms}
10 ... 11	Power stage supply M2 = Single-phase, 115/200/240 Vac N4 = Three-phase, 208/400/480 Vac
12 ... 15	Customized version S = Customized version

If you have questions concerning the type code, contact your Schneider Electric representative.

Designation Customized Version

In the case of a customized version, position 12 of the type code is an "S". The subsequent number defines the customized version. Example: LXM32.....S123

Contact your local Schneider Electric service representative if you have questions concerning customized versions.

Chapter 2

Technical Data

What Is in This Chapter?

This chapter contains the following topics:

Topic	Page
Environmental Conditions	26
Dimensions	28
Power Stage Data - General	31
Power Stage Data - Drive-Specific	33
Peak Output Currents	38
DC Bus Data	39
24 Vdc Control Supply	41
Signals	42
Output PTO (CN4)	44
Input PTI (CN5)	45
Capacitor and Braking Resistor	50
Electromagnetic Emission	54
Nonvolatile Memory and Memory Card	56
Certifications	57
Conditions for UL 508C and CSA	58

Environmental Conditions

Conditions for Operation

The maximum permissible ambient temperature during operation depends on the clearances between the devices and on the power consumption. Observe the pertinent instructions in the chapter Installation (see page 97).

Characteristic	Unit	Value
Ambient temperature (no icing, non-condensing)	°C (°F)	0 ... 50 (32 ... 122)

The following relative humidity is permissible during operation:

Characteristic	Unit	Value
Relative humidity (non-condensing)	%	5 ... 95

The installation altitude is defined in terms of altitude above mean sea level.

Characteristic	Unit	Value
Installation altitude above mean sea level without derating.	m (ft)	<1000 (<3281)
Altitude above mean sea level when all of the following conditions are met: <ul style="list-style-type: none"> • Maximum ambient temperature 45 °C (113 °F) • Reduction of the continuous power by 1% per 100 m (328 ft) above 1000 m (3281 ft) 	m (ft)	1000 ... 2000 (3281 ... 6562)
Altitude above mean sea level when all of the following conditions are met: <ul style="list-style-type: none"> • Maximum ambient temperature 40 °C (104 °F) • Reduction of the continuous power by 1% per 100 m (328 ft) above 1000 m (3281 ft) • Overvoltages of the supply mains limited to overvoltage category II as per IEC 60664-1⁽¹⁾ • No IT grounding system 	m (ft)	2000 ... 3000 (6562 ... 9843)
(1) LXM32•U, LXM32•D12, LXM32•D18, LXM32•D30 and LXM32•D72 only.		

Conditions for Transportation and Storage

The environment during transportation and storage must be dry and free from dust.

Characteristic	Unit	Value
Temperature	°C (°F)	-25 ... 70 (-13 ... 158)

The following relative humidity is permissible during transportation and storage:

Characteristic	Unit	Value
Relative humidity (non-condensing)	%	<95

Installation Site and Connection

For operation, the device must be mounted in a closed control cabinet. The device may only be operated with a permanently installed connection.

Pollution Degree and Degree of Protection

Characteristic	Value
Pollution degree	2

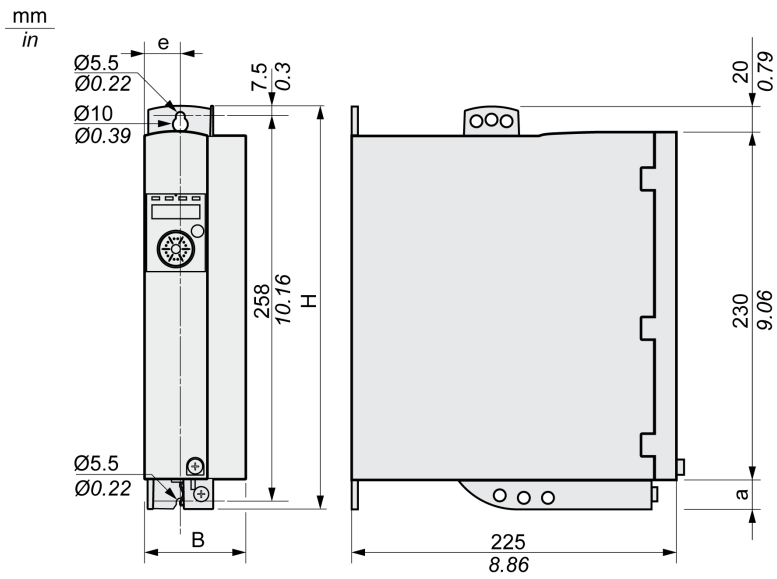
Characteristic	Value
Degree of protection	IP20

Vibration and Shock

Characteristic	Value
Vibration, sinusoidal	Tested as per IEC 60068-2-6 3.5 mm (2 ... 8.4 Hz) 10 m/s ² (8.4 ... 200 Hz)
Shock, semi-sinusoidal	Tested as per IEC 60068-2-27 150 m/s ² (for 11 ms)

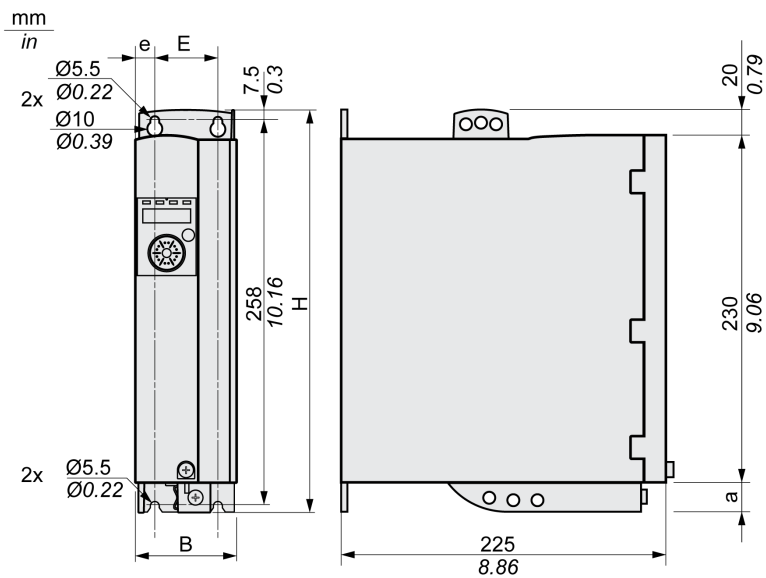
Dimensions

Dimensions LXM32-U45, LXM32-U60, LXM32-U90, LXM32-D12, LXM32-D18 and LXM32-D30M2



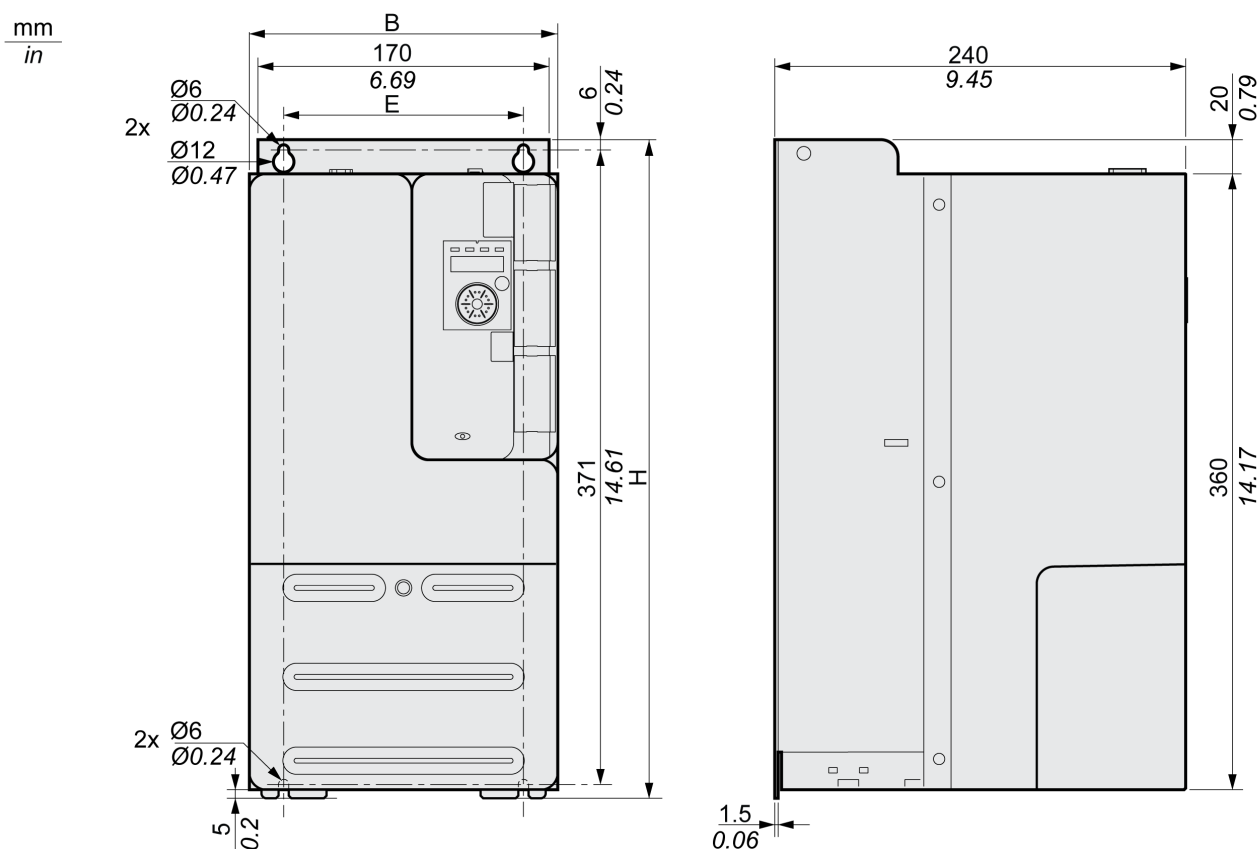
Characteristic	Unit	Value	
		LXM32-U45, LXM32-U60, LXM32-U90	LXM32-D12, LXM32-D18, LXM32-D30M2
B	mm (in)	68 ± 1 (2.68 \pm 0.04)	68 ± 1 (2.68 \pm 0.04)
H	mm (in)	270 (10.63)	270 (10.63)
e	mm (in)	24 (0.94)	24 (0.94)
E	mm (in)	-	-
a	mm (in)	20 (0.79)	20 (0.79)
Type of cooling		Convection ⁽¹⁾	Fan 40 mm (1.57 in)
(1) Greater than 1 m/s			

Dimensions LXM32-D30N4 and LXM32-D72



Characteristic	Unit	Value	
		LXM32•D30N4	LXM32•D72
B	mm (in)	68 ±1 (2.68 ±0.04)	108 ±1 (4.25 ±0.04)
H	mm (in)	270 (10.63)	274 (10.79)
e	mm (in)	13 (0.51)	13 (0.51)
E	mm (in)	42 (1.65)	82 (3.23)
a	mm (in)	20 (0.79)	24 (0.94)
Type of cooling		Fan 60 mm	Fan 80 mm (3.15 in)
(1) Greater than 1 m/s			

Dimensions LXM32•D85 and LXM32•C10



Characteristic	Unit	Value
		LXM32•D85, LXM32•C10
B	mm (in)	180 ±1 (7.09 ±0.04)
H	mm (in)	385 (15.18)
e	mm (in)	-
E	mm (in)	140 (5.51)
a	mm (in)	-
Type of cooling		Fan 80 mm (3.15 in)
(1) Greater than 1 m/s		

Mass

Characteristic	Unit	Value						
		LXM32-U 45	LXM32-U 60, LXM32-U 90	LXM32-D 12, LXM32-D 18M2	LXM32-D 18N4, LXM32-D 30M2	LXM32-D 30N4	LXM32-D 72	LXM32-D 85, LXM32-C 10
Mass	kg (lb)	1.7 (3.75)	1.8 (3.97)	1.9 (4.19)	2.1 (4.63)	2.7 (5.95)	4.8 (10.58)	8.8 (19.4)

Power Stage Data - General

Mains Voltage: Range and Tolerance

Characteristic	Unit	Value
115/230 Vac single-phase	Vac	100 -15% ... 120 +10% 200 -15% ... 240 +10%
208/400/480 Vac three-phase ⁽¹⁾	Vac	200 -15% ... 240 +10% 380 -15% ... 480 +10%
Frequency	Hz	50 -5% ... 60 +5%
(1) 208 Vac: With firmware version \geq V01.02 and DOM \geq 10.05.2010		

Characteristic	Unit	Value
Transient overvoltages		Overvoltage category III ⁽¹⁾
Rated voltage to ground	Vac	300
(1) Depends on installation altitude, see chapter Environmental Conditions (<i>see page 26</i>)		

Type of Grounding

Characteristic	Value
TT grounding system, TN grounding system	Approved
IT grounding system	Depends on hardware version \geq RS 02: Approved ⁽¹⁾ <RS02: Not approved
Mains with corner grounded system	Not approved
(1) Depending on installation altitude, see chapter Environmental Conditions (<i>see page 26</i>)	

Leakage Current

Characteristic	Unit	Value
Leakage current (as per IEC 60990, figure 3)	mA	<30 ⁽¹⁾
(1) Measured on mains with grounded neutral point and without external mains filter. Take into account that a 30 mA RCD can already trigger at 15 mA. In addition, there is a high-frequency leakage current which is not considered in the measurement. The response to this depends on the type of residual current device.		

Harmonic Currents and Impedance

The harmonic currents depend on the impedance of the supply mains. This is expressed in terms of the short-circuit current of the supply mains. If the supply mains has a higher short-circuit current than indicated in the Technical Data for the device, use upstream mains reactors. See chapter Accessories and Spare Parts (*see page 613*) for suitable mains reactors.

Monitoring the Continuous Output Current

The continuous output current is monitored by the device. If the continuous output current is permanently exceeded, the device reduces the output current.

PWM Frequency Power Stage

The PWM frequency of the power stage depends on the device version.

Characteristic	Unit	Value	
...		LXM32•U45, LXM32•U60, LXM32•U90, LXM32•D12, LXM32•D18, LXM32•D30, LXM32•D72	LXM32•D85, LXM32•C10
PWM frequency power stage	kHz	8	4 or 8 ⁽¹⁾
(1) Factory setting: 4 kHz. Adjustable via parameter.			

Approved Motors

The following motor families can be connected: BMH, BSH.

When selecting, consider the type and amount of the mains voltage and the motor inductance.

If an encoder module is installed, additional motors can be used. The conditions can be found in the corresponding manual for the module.

For other motor possibilities, contact your local Schneider Electric representative.

Inductance of Motor

The permissible minimum inductance of the motor to be connected depends on the device type and the nominal mains voltage. See chapter Power Stage Data - Drive-Specific (*see page 33*).

The specified minimum inductance value limits the current ripple of the peak output current. If the inductance value of the connected motor is less than the specified minimum inductance value, this may adversely affect current control and trigger motor phase current monitoring.

Power Stage Data - Drive-Specific

Data for Single-Phase Devices at 115 Vac

Characteristic	Unit	Value			
		LXM32-U45M2	LXM32-U90M2	LXM32-D18M2	LXM32-D30M2
Nominal voltage (single-phase)	Vac	115	115	115	115
Inrush current limitation	A	1.7	3.5	8	16
Maximum fuse to be connected upstream ⁽¹⁾	A	25	25	25	25
Continuous output current	A _{rms}	1.5	3	6	10
Peak output current	A _{rms}	3	6	10	15
Minimum inductance motor (phase/phase)	mH	5.5	3	1.4	0.8
Values without mains reactor⁽²⁾					
Nominal power	kW	0.15	0.3	0.5	0.8
Input current ⁽³⁾	A _{rms}	2.9	5.4	8.5	12.9
THD (total harmonic distortion) ⁽⁴⁾	%	173	159	147	135
Power dissipation ⁽⁵⁾	W	7	15	28	33
Maximum inrush current ⁽⁶⁾	A	111	161	203	231
Time for maximum inrush current	ms	0.8	1.0	1.2	1.4
Values with mains reactor					
Mains reactor	mH	5	2	2	2
Nominal power	kW	0.2	0.4	0.8	0.8
Input current ⁽³⁾	A _{rms}	2.6	5.2	9.9	9.9
THD (total harmonic distortion) ⁽⁴⁾	%	85	90	74	72
Power dissipation ⁽⁵⁾	W	8	16	32	33
Maximum inrush current ⁽⁶⁾	A	22	48	56	61
Time for maximum inrush current	ms	3.3	3.1	3.5	3.7
<p>(1) As per IEC 60269. Circuit breakers with B or C characteristic. See chapter Conditions for UL 508C and CSA (<i>see page 58</i>) for UL and CSA. Lower ratings are permissible. The fuse must be rated in such a way that the fuse does not trip at the specified input current.</p> <p>(2) At a mains impedance corresponding to a short-circuit current of the supply mains of 1 kA</p> <p>(3) At nominal power and nominal voltage</p> <p>(4) With reference to the input current</p> <p>(5) Condition: internal braking resistor not active. Value at nominal current, nominal voltage and nominal power. Value approximately proportional with output current.</p> <p>(6) Extreme case, off/on pulse before the inrush current limitation responds, see next line for maximum time</p>					

Data for Single-Phase Devices at 230 Vac

Characteristic	Unit	Value			
		LXM32-U45M2	LXM32-U90M2	LXM32-D18M2	LXM32-D30M2
Nominal voltage (single-phase)	Vac	230	230	230	230
Inrush current limitation	A	3.5	6.9	16	33
Maximum fuse to be connected upstream ⁽¹⁾	A	25	25	25	25
Continuous output current	A _{rms}	1.5	3	6	10
Peak output current	A _{rms}	4.5	9	18	30
Minimum inductance motor (phase/phase)	mH	5.5	3	1.4	0.8
Values without mains reactor⁽²⁾					
Nominal power	kW	0.3	0.5	1.0	1.6
Input current ⁽³⁾	A _{rms}	2.9	4.5	8.4	12.7
THD (total harmonic distortion) ⁽⁴⁾	%	181	166	148	135
Power dissipation ⁽⁵⁾	W	10	18	34	38
Maximum inrush current ⁽⁶⁾	A	142	197	240	270
Time for maximum inrush current	ms	1.1	1.5	1.8	2.1
Values with mains reactor					
Mains reactor	mH	5	2	2	2
Nominal power	kW	0.5	0.9	1.6	2.2
Input current ⁽³⁾	A _{rms}	3.4	6.3	10.6	14.1
THD (total harmonic distortion) ⁽⁴⁾	%	100	107	93	86
Power dissipation ⁽⁵⁾	W	11	20	38	42
Maximum inrush current ⁽⁶⁾	A	42	90	106	116
Time for maximum inrush current	ms	3.5	3.2	3.6	4.0
<p>(1) As per IEC 60269. Circuit breakers with B or C characteristic. See chapter Conditions for UL 508C and CSA (<i>see page 58</i>) for UL and CSA. Lower ratings are permissible. The fuse must be rated in such a way that the fuse does not trip at the specified input current.</p> <p>(2) At a mains impedance corresponding to a short-circuit current of the supply mains of 1 kA</p> <p>(3) At nominal power and nominal voltage</p> <p>(4) With reference to the input current</p> <p>(5) Condition: internal braking resistor not active. Value at nominal current, nominal voltage and nominal power. Value approximately proportional with output current.</p> <p>(6) Extreme case, off/on pulse before the inrush current limitation responds, see next line for maximum time</p>					

Data for Three-Phase Devices at 208 Vac

Characteristic	Unit	Value						
		LXM32• U60N4	LXM32• D12N4	LXM32• D18N4	LXM32• D30N4	LXM32• D72N4	LXM32• D85N4	LXM32• C10N4
Nominal voltage (three-phase)	Vac	208	208	208	208	208	208	208
Inrush current limitation	A	2.2	4.9	10	10	29	29	29
Maximum fuse to be connected upstream ⁽¹⁾	A	32	32	32	32	32	63	63
Continuous output current PWM frequency = 4 kHz PWM frequency = 8 kHz	A _{rms}	- 1.5	- 3	- 6	- 10	- 24	32 24	40 24
Peak output current PWM frequency = 4 kHz PWM frequency = 8 kHz	A _{rms}	- 6	- 12	- 18	- 30	- 72	85 82	100 82
Minimum inductance motor (phase/phase)	mH	8.5	4.5	3	1.7	0.7	0.6	0.51
Values without mains reactor⁽²⁾								
Nominal power PWM frequency = 4 kHz PWM frequency = 8 kHz	kW	- 0.35	- 0.7	- 1.2	- 2.0	- 5	5 5	7 6
Input current ⁽³⁾ PWM frequency = 4 kHz PWM frequency = 8 kHz	A _{rms}	- 1.8	- 3.6	- 6.2	- 9.8	- 21.9	21.8 22.3	29.7 25.9
THD (total harmonic distortion) ⁽⁴⁾ PWM frequency = 4 kHz PWM frequency = 8 kHz	%	- 132	- 136	- 140	- 128	- 106	108 113	102 106
Power dissipation ⁽⁵⁾ PWM frequency = 4 kHz PWM frequency = 8 kHz	W	- 13	- 26	- 48	- 81	- 204	235 301	314 390
Maximum inrush current ⁽⁶⁾	A	60	180	276	341	500	425	347
Time for maximum inrush current	ms	0.5	0.7	0.9	1.1	1.5	0.8	1.0
Values with mains reactor								
Mains reactor	mH	2	2	1	1	1	1	0.5
Nominal power PWM frequency = 4 kHz PWM frequency = 8 kHz	kW	- 0.4	- 0.8	- 1.5	- 2.6	- 6.5	7 6	11 6
Input current ⁽³⁾ PWM frequency = 4 kHz PWM frequency = 8 kHz	A _{rms}	- 1.7	- 3.1	- 6.0	- 9.2	- 21.1	22.1 18.9	35.3 19.5
THD (total harmonic distortion) ⁽⁴⁾ PWM frequency = 4 kHz PWM frequency = 8 kHz	%	- 97	- 79	- 78	- 59	- 34	33 32	38 45
Power dissipation ⁽⁵⁾ PWM frequency = 4 kHz PWM frequency = 8 kHz	W	- 13	- 27	- 51	- 86	- 218	229 295	328 404
Maximum inrush current ⁽⁶⁾	A	19	55	104	126	155	93	124
Time for maximum inrush current	ms	1.9	2.6	2.6	3.0	3.6	4.4	3.1
<p>(1) As per IEC 60269. Circuit breakers with B or C characteristic. See chapter Conditions for UL 508C and CSA (<i>see page 58</i>) for UL and CSA. Lower ratings are permissible. The fuse must be rated in such a way that the fuse does not trip at the specified input current.</p> <p>(2) At a mains impedance corresponding to a short-circuit current of the supply mains of 5 kA (for LXM32M... U60, D12, D18, D30 and D72) and of 22 kA (for LXM32M... D85 and C10)</p> <p>(3) At nominal power and nominal voltage</p> <p>(4) With reference to the input current</p> <p>(5) Condition: internal braking resistor not active. Value at nominal current, nominal voltage and nominal power. Value approximately proportional with output current.</p> <p>(6) Extreme case, off/on pulse before the inrush current limitation responds, see next line for maximum time</p>								

Data for Three-Phase Devices at 400 Vac

Characteristic	Unit	Value						
		LXM32• U60N4	LXM32• D12N4	LXM32• D18N4	LXM32• D30N4	LXM32• D72N4	LXM32• D85N4	LXM32• C10N4
Nominal voltage (three-phase)	Vac	400	400	400	400	400	400	400
Inrush current limitation	A	4.3	9.4	19	19	57	57	57
Maximum fuse to be connected upstream ⁽¹⁾	A	32	32	32	32	32	63	63
Continuous output current PWM frequency = 4 kHz PWM frequency = 8 kHz	A _{rms}	- 1.5	- 3	- 6	- 10	- 24	32 24	40 24
Peak output current PWM frequency = 4 kHz PWM frequency = 8 kHz	A _{rms}	- 6	- 12	- 18	- 30	- 72	85 82	100 82
Minimum inductance motor (phase/phase)	mH	8.5	4.5	3	1.7	0.7	0.6	0.51
Values without mains reactor⁽²⁾								
Nominal power PWM frequency = 4 kHz PWM frequency = 8 kHz	kW	- 0.4	- 0.9	- 1.8	- 3.0	- 7	9 9	11 11
Input current ⁽³⁾ PWM frequency = 4 kHz PWM frequency = 8 kHz	A _{rms}	- 1.4	- 2.9	- 5.2	- 8.3	- 17.3	23.3 23.3	27.8 27.8
THD (total harmonic distortion) ⁽⁴⁾ PWM frequency = 4 kHz PWM frequency = 8 kHz	%	- 191	- 177	- 161	- 148	- 126	139 139	133 133
Power dissipation ⁽⁵⁾ PWM frequency = 4 kHz PWM frequency = 8 kHz	W	- 17	- 37	- 68	- 115	- 283	303 429	375 522
Maximum inrush current ⁽⁶⁾	A	90	131	201	248	359	520	520
Time for maximum inrush current	ms	0.5	0.7	0.9	1.1	1.4	1.0	1.0
Values with mains reactor								
Mains reactor	mH	2	2	1	1	1	1	0.5
Nominal power PWM frequency = 4 kHz PWM frequency = 8 kHz	kW	- 0.8	- 1.6	- 3.3	- 5.6	- 13	15 13	22 13
Input current ⁽³⁾ PWM frequency = 4 kHz PWM frequency = 8 kHz	A _{rms}	- 1.8	- 3.4	- 6.9	- 11.1	- 22.5	25.0 21.9	38.1 24.5
THD (total harmonic distortion) ⁽⁴⁾ PWM frequency = 4 kHz PWM frequency = 8 kHz	%	- 108	- 90	- 90	- 77	- 45	42 45	51 70
Power dissipation ⁽⁵⁾ PWM frequency = 4 kHz PWM frequency = 8 kHz	W	- 19	- 40	- 74	- 125	- 308	306 433	416 563
Maximum inrush current ⁽⁶⁾	A	28	36	75	87	112	138	185
Time for maximum inrush current	ms	1.9	2.3	2.3	2.6	3.0	4.3	3.0
<p>(1) As per IEC 60269. Circuit breakers with B or C characteristic. See chapter Conditions for UL 508C and CSA (see page 58) for UL and CSA. Lower ratings are permissible. The fuse must be rated in such a way that the fuse does not trip at the specified input current.</p> <p>(2) At a mains impedance corresponding to a short-circuit current of the supply mains of 5 kA (for LXM32M... U60, D12, D18, D30 and D72) and of 22 kA (for LXM32M... D85 and C10)</p> <p>(3) At nominal power and nominal voltage</p> <p>(4) with reference to the input current</p> <p>(5) Condition: internal braking resistor not active. Value at nominal current, nominal voltage and nominal power. Value approximately proportional with output current.</p> <p>(6) Extreme case, off/on pulse before the inrush current limitation responds, see next line for maximum time</p>								

Data for Three-Phase Devices at 480 Vac

Characteristic	Unit	Value						
		LXM32• U60N4	LXM32• D12N4	LXM32• D18N4	LXM32• D30N4	LXM32• D72N4	LXM32• D85N4	LXM32• C10N4
Nominal voltage (three-phase)	Vac	480	480	480	480	480	480	480
Inrush current limitation	A	5.1	11.3	23	23	68	68	68
Maximum fuse to be connected upstream ⁽¹⁾	A	32	32	32	32	32	63	63
Continuous output current PWM frequency = 4 kHz PWM frequency = 8 kHz	A _{rms}	- 1.5	- 3	- 6	- 10	- 24	32 24	40 24
Peak output current PWM frequency = 4 kHz PWM frequency = 8 kHz	A _{rms}	- 6	- 12	- 18	- 30	- 72	85 82	100 82
Minimum inductance motor (phase/phase)	mH	8.5	4.5	3	1.7	0.7	0.6	0.51
Values without mains reactor⁽²⁾								
Nominal power PWM frequency = 4 kHz PWM frequency = 8 kHz	kW	- 0.4	- 0.9	- 1.8	- 3.0	- 7	9 9	11 11
Input current ⁽³⁾ PWM frequency = 4 kHz PWM frequency = 8 kHz	A _{rms}	- 1.2	- 2.4	- 4.5	- 7.0	- 14.6	19.9 19.9	23.7 23.7
THD (total harmonic distortion) ⁽⁴⁾ PWM frequency = 4 kHz PWM frequency = 8 kHz	%	- 201	- 182	- 165	- 152	- 129	145 145	140 140
Power dissipation ⁽⁵⁾ PWM frequency = 4 kHz PWM frequency = 8 kHz	W	- 20	- 42	- 76	- 129	- 315	312 464	407 560
Maximum inrush current ⁽⁶⁾	A	129	188	286	350	504	795	795
Time for maximum inrush current	ms	0.6	0.7	1.0	1.2	1.6	1.0	1.0
Values with mains reactor								
Mains reactor	mH	2	2	1	1	1	1	0.5
Nominal power PWM frequency = 4 kHz PWM frequency = 8 kHz	kW	- 0.8	- 1.6	- 3.3	- 5.6	- 13	15 13	22 13
Input current ⁽³⁾ PWM frequency = 4 kHz PWM frequency = 8 kHz	A _{rms}	- 1.6	- 2.9	- 6.0	- 9.6	- 19.5	21.0 18.4	32.0 20.7
THD (total harmonic distortion) ⁽⁴⁾ PWM frequency = 4 kHz PWM frequency = 8 kHz	%	- 116	- 98	- 98	- 85	- 55	45 48	54 73
Power dissipation ⁽⁵⁾ PWM frequency = 4 kHz PWM frequency = 8 kHz	W	- 21	- 44	- 82	- 137	- 341	314 466	417 593
Maximum inrush current ⁽⁶⁾	A	43	57	116	137	177	208	279
Time for maximum inrush current	ms	1.9	2.4	2.4	2.7	3.2	4.1	3.4
<p>(1) As per IEC 60269. Circuit breakers with B or C characteristic. See chapter Conditions for UL 508C and CSA (<i>see page 58</i>) for UL and CSA. Lower ratings are permissible. The fuse must be rated in such a way that the fuse does not trip at the specified input current.</p> <p>(2) At a mains impedance corresponding to a short-circuit current of the supply mains of 5 kA (for LXM32M... U60, D12, D18, D30 and D72) and of 22 kA (for LXM32M... D85 and C10)</p> <p>(3) At nominal power and nominal voltage</p> <p>(4) With reference to the input current</p> <p>(5) Condition: internal braking resistor not active. Value at nominal current, nominal voltage and nominal power. Value approximately proportional with output current.</p> <p>(6) Extreme case, off/on pulse before the inrush current limitation responds, see next line for maximum time</p>								

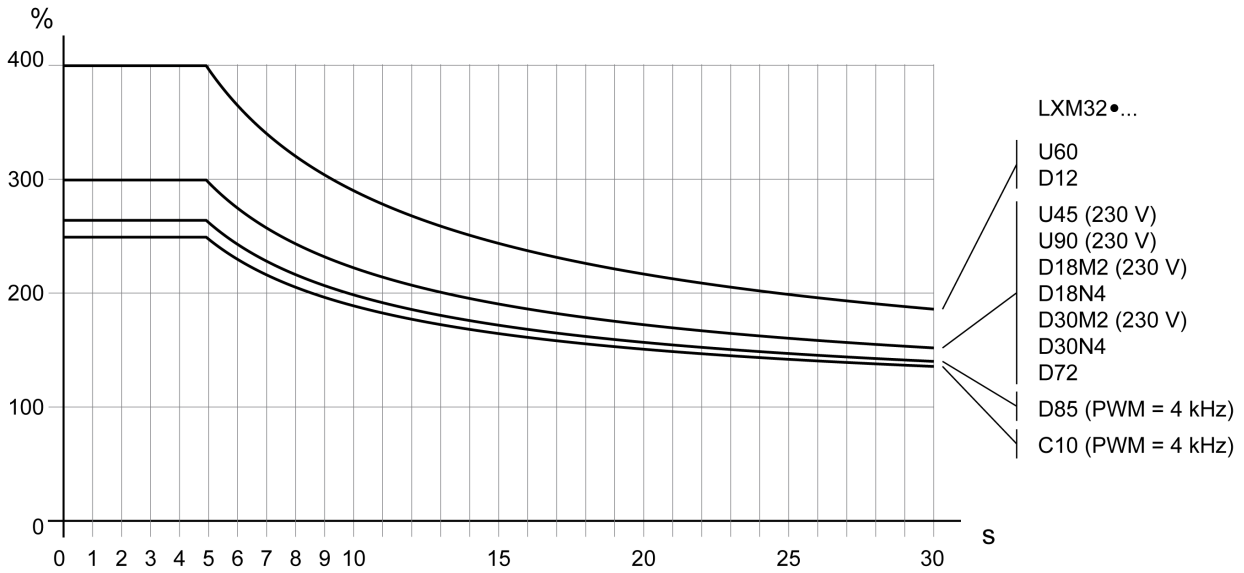
Peak Output Currents

Description

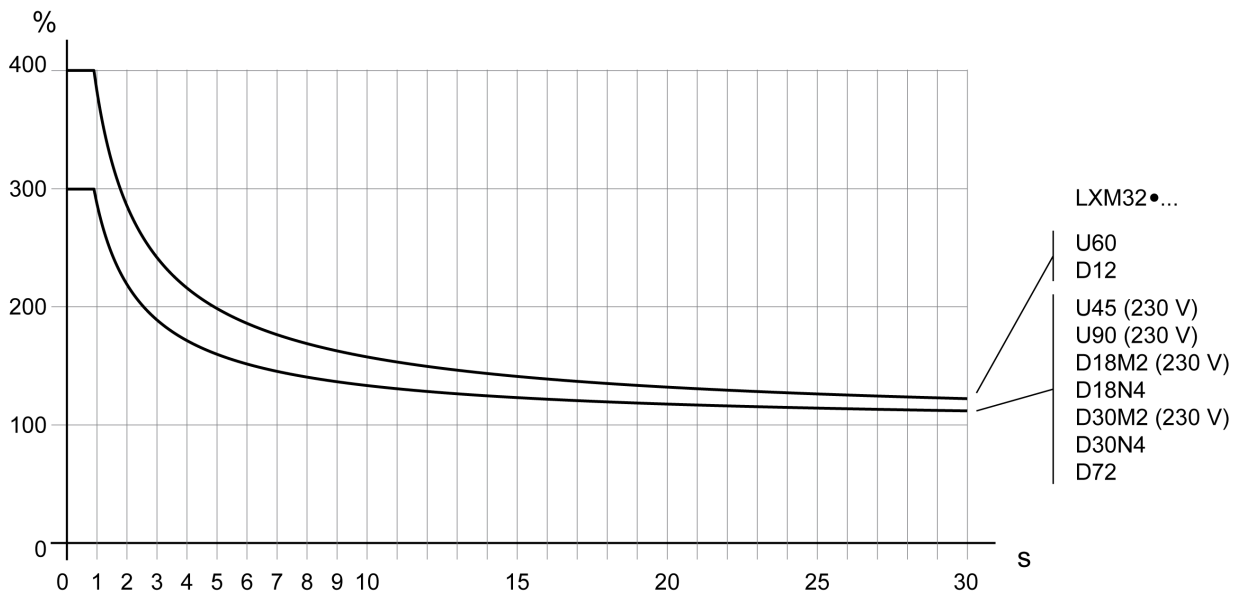
The device can provide the peak output current for a limited period of time. If the peak output current flows when the motor is at a standstill, the higher load on a single semiconductor switch causes the current limitation to become active earlier than when the motor moves.

The period of time for which the peak output current can be provided depends on the hardware version.

Peak output current with hardware version \geq RS03: 5 seconds



Peak output current with hardware version $<$ RS03: 1 second



DC Bus Data

DC Bus Data for Single-Phase Devices

Characteristic	Unit	Value							
		LXM32-U45M2		LXM32-U90M2		LXM32-D18M2		LXM32-D30M2	
Nominal voltage	V	115	230	115	230	115	230	115	230
Nominal voltage DC bus	V	163	325	163	325	163	325	163	325
Undervoltage limit	V	55	130	55	130	55	130	55	130
Voltage limit: activation of Quick Stop	V	60	140	60	140	60	140	60	140
Oversvoltage limit	V	260 ⁽¹⁾ / 450	450	260 ⁽¹⁾ / 450	450	260 ⁽¹⁾ / 450	450	260 ⁽¹⁾ / 450	450
Maximum continuous power via DC bus	kW	0.2	0.5	0.4	0.9	0.8	1.6	0.8	2.2
Maximum continuous current via DC bus	A	1.5	1.5	3.2	3.2	6.0	6.0	10.0	10.0

(1) Can be set via parameter MON_DCbusVdcThresh.

DC Bus Data for Three-Phase Devices

Characteristic	Unit	Value								
		LXM32-U60N4			LXM32-D12N4			LXM32-D18N4		
Nominal voltage	V	208	400	480	208	400	480	208	400	480
Nominal voltage DC bus	V	294	566	679	294	566	679	294	566	679
Undervoltage limit	V	150	350	350	150	350	350	150	350	350
Voltage limit: activation of Quick Stop	V	160	360	360	160	360	360	160	360	360
Oversvoltage limit	V	450 ⁽¹⁾ / 820	820	820	450 ⁽¹⁾ / 820	820	820	450 ⁽¹⁾ / 820	820	820
Maximum continuous power via DC bus	kW	0.4	0.8	0.8	0.8	1.6	1.6	1.7	3.3	3.3
Maximum continuous current via DC bus	A	1.5	1.5	1.5	3.2	3.2	3.2	6.0	6.0	6.0

(1) Can be set via parameter MON_DCbusVdcThresh.

Characteristic	Unit	Value					
		LXM32-D30N4			LXM32-D72N4		
Nominal voltage	V	208	400	480	208	400	480
Nominal voltage DC bus	V	294	566	679	294	566	679
Undervoltage limit	V	150	350	350	150	350	350
Voltage limit: activation of Quick Stop	V	160	360	360	160	360	360
Oversvoltage limit	V	450 ⁽¹⁾ / 820	820	820	450 ⁽¹⁾ / 820	820	820
Maximum continuous power via DC bus	kW	2.8	5.6	5.6	6.5	13.0	13.0
Maximum continuous current via DC bus	A	10.0	10.0	10.0	22.0	22.0	22.0

(1) Can be set via parameter MON_DCbusVdcThresh.

Characteristic	Unit	Value					
		LXM32-D85N4			LXM32-C10N4		
Nominal voltage	V	208	400	480	208	400	480
Nominal voltage DC bus	V	294	566	679	294	566	679
Undervoltage limit	V	150	350	350	150	350	350
Voltage limit: activation of Quick Stop	V	160	360	360	160	360	360
Overvoltage limit	V	450 ⁽¹⁾ / 820	820	820	450 ⁽¹⁾ / 820	820	820
Maximum continuous power via DC bus	kW	7.0	15.0	15.0	11.0	22.0	22.0
Maximum continuous current via DC bus	A	28.0	28.0	28.0	40.0	40.0	40.0

(1) Can be set via parameter MON_DCbusVdcThresh.

24 Vdc Control Supply

Description

The 24 Vdc control supply must meet the requirements of IEC 61131-2 (PELV standard power supply unit):

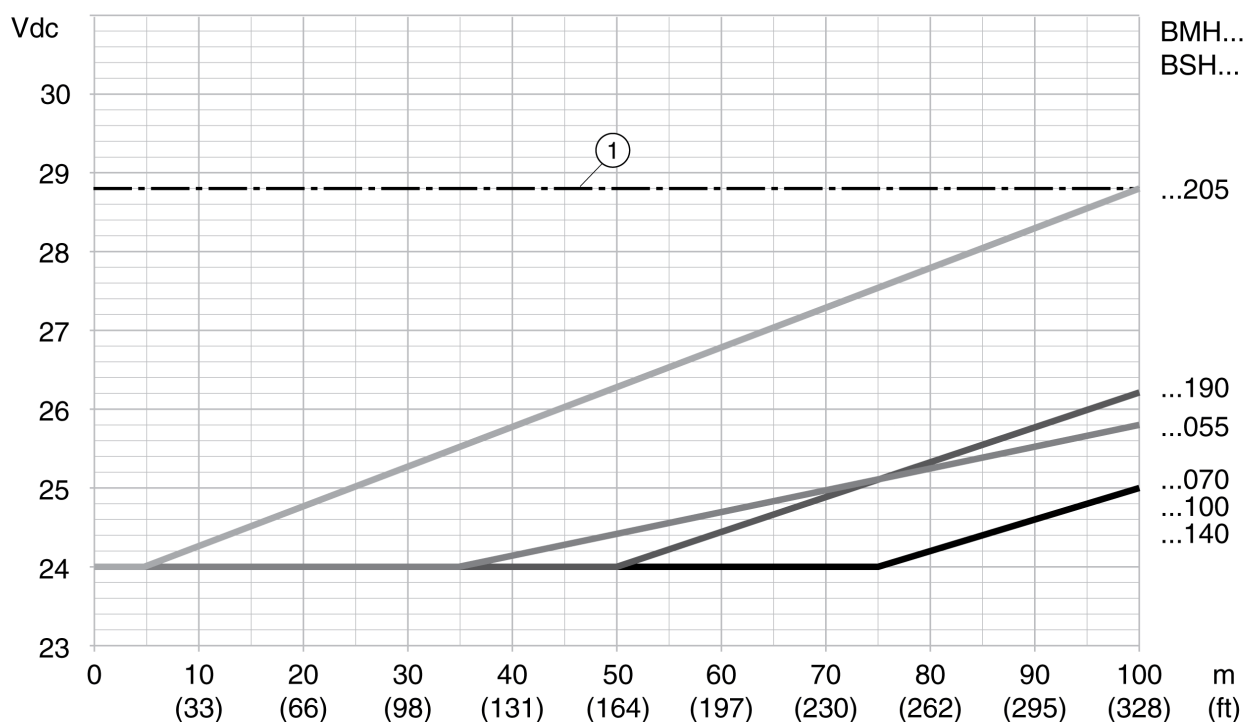
Characteristic	Unit	Value
Input voltage	Vdc	24 (-15/+20 %) ⁽¹⁾
Input current (without load)	A	≤1 ⁽²⁾
Residual ripple	%	<5
Inrush current		Charging current for capacitor C= 1.8 mF

(1) For connection of motors without holding brake. See figure below for motors with holding brake
 (2) Input current: holding brake not considered.

24 Vdc Control Supply in the Case of Motor with Holding Brake

If a motor with holding brake is connected, the 24 Vdc control supply must be adjusted according to the connected motor type, the motor cable length and the cross section of the wires for the holding brake. The following diagram applies to the motor cables available as accessories, see chapter Accessories and Spare Parts (see page 613). See the diagram for the voltage that must be available at CN2 for releasing the holding brake. The voltage tolerance is ±5 %.

24 Vdc control supply in the case of motor with holding brake: the voltage depends on the motor type, the motor cable length and the conductor cross section.

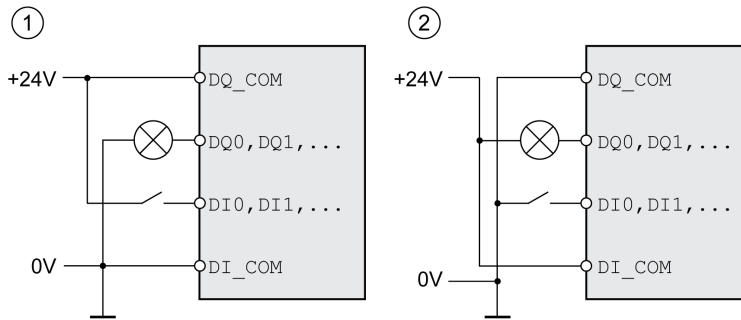


1 Maximum voltage of the 24 Vdc control supply

Signals

Logic Type

The digital inputs and outputs of this product can be wired to enable positive logic or negative logic.



Logic type	Active state
(1) Positive logic	Output supplies current (source output) Current flows to the input (sink input)
(2) Negative logic	Output draws current (sink output) Current flows from the input (source input)

Signal inputs are protected against reverse polarity, outputs are short-circuit protected. The inputs and outputs are functionally isolated.

Refer to chapter Logic Type ([see page 74](#)) for more information on sinking, sourcing and positive and negative logic.

Digital Input Signals 24 V

When wired as sinking inputs, the levels of the digital inputs comply with IEC 61131-2, type 1. The electrical characteristics are also valid when wired as sourcing inputs unless otherwise indicated.

Characteristic	Unit	Value
Input voltage - sinking inputs		
Level 0	Vdc	-3 ... 5
Level 1	Vdc	15 ... 30
Input voltage - sourcing inputs (at 24 Vdc)		
Level 0	Vdc	>19
Level 1	Vdc	<9
Input current (at 24 Vdc)	mA	5
Debounce time (software) ⁽¹⁾⁽²⁾	ms	1.5 (default value)
Hardware switching time		
Rising edge (level 0 -> 1)	µs	15
Falling edge (level 1 -> 0)	µs	150
Jitter (capture inputs)	µs	<2
(1) Adjustable via parameter (sampling period 250µs)		
(2) If the capture inputs are used for capture then the debounce time is not applied.		

Digital Output Signals 24 V

When wired as sourcing outputs, the levels of the digital outputs comply with IEC 61131-2. The electrical characteristics are also valid when wired as sinking outputs unless otherwise indicated.

Characteristic	Unit	Value
Nominal supply voltage	Vdc	24
Voltage range for supply voltage	Vdc	19.2 ... 30
Nominal output voltage - sourcing outputs	Vdc	24
Nominal output voltage - sinking outputs	Vdc	0

Characteristic	Unit	Value
Voltage drop at 100 mA load	Vdc	≤3
Maximum current per output	mA	100

Input Signals Safety Function STO

The inputs for the safety function STO (inputs `STO_A` and `STO_B`) can only be wired for sinking inputs. Observe the information provided in chapter Safety function STO ("Safe Torque Off") ([see page 86](#)).

Characteristic	Unit	Value
Input voltage Level 0 Level 1	Vdc Vdc	-3 ... 5 15 ... 30
Input current (at 24 Vdc)	mA	5
Debounce time <code>STO_A</code> and <code>STO_B</code>	ms	>1
Detection of signal differences between <code>STO_A</code> and <code>STO_B</code>	s	>1
Response time of safety function STO	ms	≤10

Holding Brake Output CN11

The 24 Vdc holding brake of the BMH motor or the BSH motor can be connected to the output CN11. Data of output CN11:

Characteristic	Unit	Value
Output voltage ⁽¹⁾	V	Voltage at 24 Vdc control supply CN2 minus 0.8 V
Maximum switching current	A	1.7
Energy inductive load ⁽²⁾	Ws	1.5
(1) See chapter 24 Vdc Control Supply (see page 41)		
(2) Time between switch off procedures: > 1 s		

Encoder Signals

The encoder signals comply with the Stegmann Hiperface specification.

Characteristic	Unit	Value
Output voltage for encoder	V	10
Output current for encoder	mA	100
SIN/COS input signal voltage range		1 V _{pp} with 2.5 V offset, 0.5 V _{pp} at 100 kHz
Input resistance	Ω	120

The output voltage is short-circuit protected and overload protected.

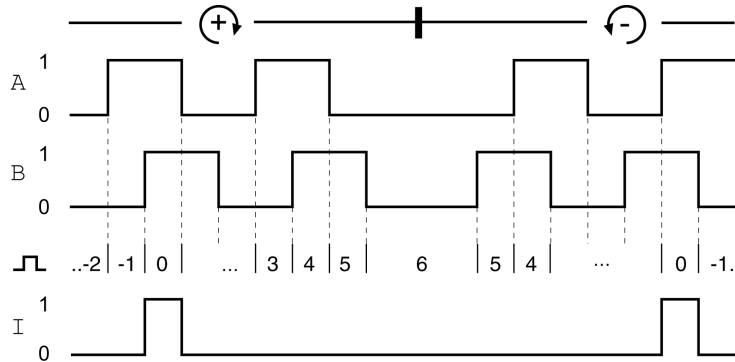
Output PTO (CN4)

5 V signals are available at the PTO (Pulse Train Out, CN4) output. Depending on parameter `PTO_mode`, these signals are ESIM signals (encoder simulation) or directly transmitted PTI input signals (P/D signals, A/B signals, CW/CCW signals). The PTO output signals can be used as PTI input signals for another device. The PTO output signals have 5 V, even if the PTI input signal is a 24 V signal.

The signal level corresponds to RS422. Due to the input current of the optocoupler in the input circuit, a parallel connection of a driver output to several devices is not permitted.

The basic resolution of the encoder simulation at quadruple resolution is 4096 increments per revolution in the case of rotary motors.

Time chart with A, B and index pulse signal, counting forwards and backwards



Output Signal PTO

The PTO output signals comply with the RS422 interface specification.

Characteristic	Unit	Value
Logic level		As per RS422 ⁽¹⁾
Output frequency per signal	kHz	≤500
Motor increments per second	Inc/s	≤1.6 * 10 ⁶
(1) Due to the input current of the optocoupler in the input circuit, a parallel connection of a driver output to several devices is not permitted.		

The device connected to the PTO output must be able to process the specified motor increments per second. Even at low velocities, (medium PTO frequency in the kHz range), edges may change at up to 1.6 MHz.

Input PTI (CN5)

5 V signals or 24 V signals can be connected to the PTI (Pulse Train In) input.

The following signals can be connected:

- A/B signals (ENC_A/ENC_B)
- P/D signals (PULSE/DIR)
- CW/CCW signals (CW/CCW)

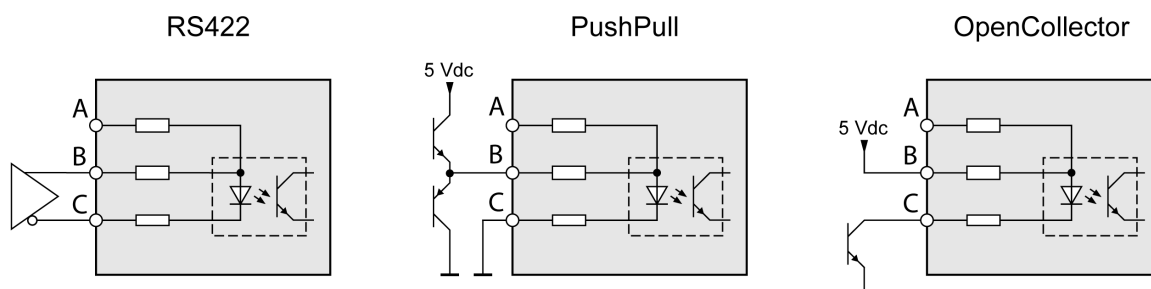
Input Circuit and Selection of Method

The input circuit and the selected method affect the maximum permissible input frequency and the maximum permissible line length:

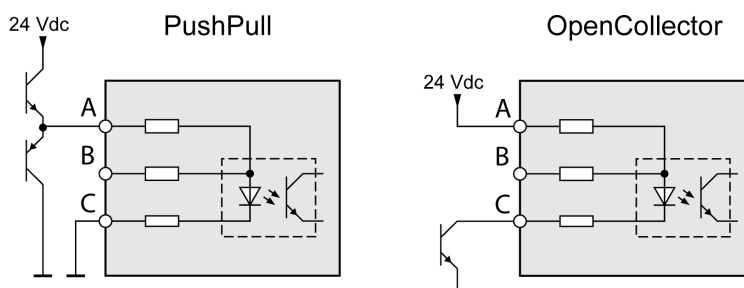
Input circuit		RS422	Push pull	Open collector
Minimum input frequency with method position synchronization	Hz	0	0	0
Minimum input frequency with method velocity synchronization	Hz	100	100	100
Maximum input frequency	MHz	1	0.2	0.01
Maximum line length	m (ft)	100 (328)	10 (32.8)	1 (3.28)

Signal input circuits: RS422, Push Pull and Open Collector

5 Vdc



24 Vdc



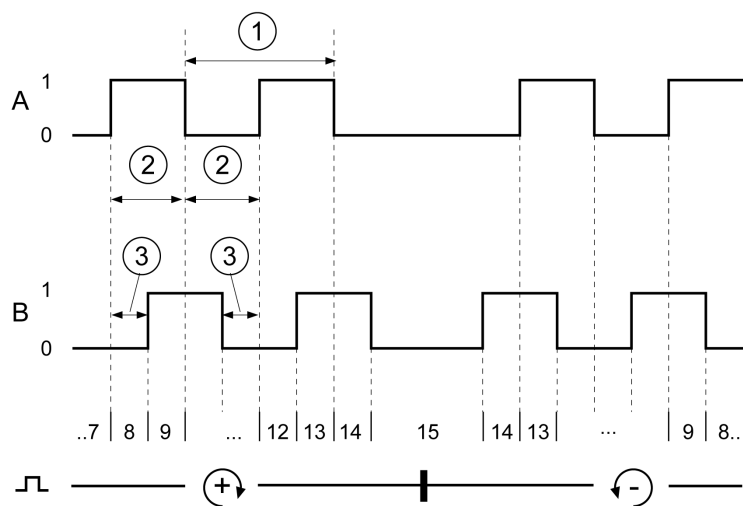
Input	Pin ⁽¹⁾	RS422 ⁽²⁾	5V	24V
A	Pin 7	Reserved	Reserved	PULSE (24) ENC_A (24) CW (24)
	Pin 8	Reserved	Reserved	DIR (24) ENC_B (24) CCW (24)
B	Pin 1	PULSE (5) ENC_A (5) CW (5)	PULSE (5) ENC_A (5) CW (5)	Reserved
	Pin 4	DIR (5) ENC_B (5) CCW (5)	DIR (5) ENC_B (5) CCW (5)	Reserved
C	Pin 2	PULSE ENC_A CW	PULSE ENC_A CW	PULSE ENC_A CW
	Pin 5	DIR ENC_B CCW	DIR ENC_B CCW	DIR ENC_B CCW
<p>(1) Observe the different pairing in the case of twisted pair: Pin 1 / pin 2 and pin 4 / pin 5 for RS422 and 5V; pin 7 / pin 2 and pin 8 / pin 5 for 24V</p> <p>(2) Due to the input current of the optocoupler in the input circuit, a parallel connection of a driver output to several devices is not permitted.</p>				

Function A/B Signals

External A/B signals can be supplied via the PTI input as reference values in operating mode Electronic Gear.

Signal	Value	Function
Signal A before signal B	0 -> 1	Movement in positive direction
Signal B before signal A	0 -> 1	Movement in negative direction

Time chart with A/B signal, counting forwards and backwards



Times for pulse/direction	Minimum value
(1) Cycle duration A, B	1 μ s
(2) Pulse duration	0.4 μ s
(3) Lead time (A, B)	200 ns

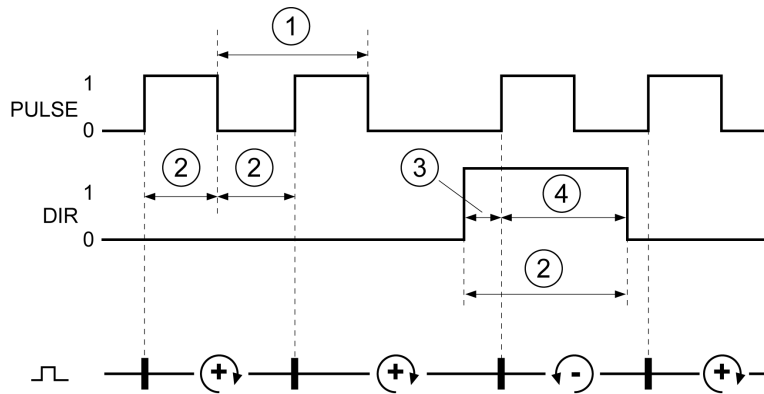
Function P/D Signals

External P/D signals can be supplied via the PTI input as reference values in the operating mode Electronic Gear.

The motor performs a movement in the case of a rising edge of the PULSE signal. The direction is controlled with the DIR signal.

Signal	Value	Function
PULSE	0 -> 1	Motor movement
DIR	0 / open	Positive direction

Time chart with pulse/direction signal



Times for pulse/direction	Minimum value
(1) Cycle duration (pulse)	1 μ s
(2) Pulse duration (pulse)	0.4 μ s
(3) Lead time (Dir-Pulse)	0 μ s
(4) Hold time (Pulse-Dir)	0.4 μ s

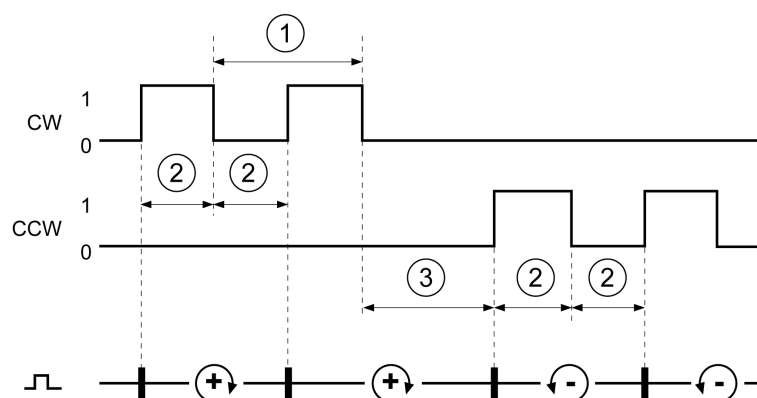
Function CW/CCW Signals

External CW/CCW signals can be supplied via the PTI input as reference values in operating mode Electronic Gear.

The motor performs a movement in positive direction in the case of a rising edge of the CW signal. The motor performs a movement in negative direction in the case of a rising edge of the CCW signal.

Signal	Value	Function
CW	0 -> 1	Movement in positive direction
CCW	0 -> 1	Movement in negative direction

Time chart with "CW/CCW"



Times for pulse/direction	Minimum value
(1) Cycle duration CW, CCW	1 μ s
(2) Pulse duration	0.4 μ s
(3) Lead time (CW-CCW, CCW-CW)	0 μ s

Capacitor and Braking Resistor

Description

The drive has an internal capacitor and an internal braking resistor. If the internal capacitor and the internal braking resistor are insufficient for the dynamics of the application, one or more external braking resistors must be used.

The resistance values for external braking resistors must not be below the specified minimum resistance. If an external braking resistor is activated by means of the appropriate parameter, the internal braking resistor is deactivated.

Data of Internal Capacitor

Characteristic	Unit	Value			
		LXM32-U45M2	LXM32-U90M2	LXM32-D18M2	LXM32-D30M2
Capacitance of internal capacitor	µF	390	780	1170	1560
Parameter DCbus_compat = 0 (default value)					
Energy absorption of internal capacitors E _{var} at nominal voltage 115 V +10%	Ws	5	9	14	18
Energy absorption of internal capacitors E _{var} at nominal voltage 200 V +10%	Ws	17	34	52	69
Energy absorption of internal capacitors E _{var} at nominal voltage 230 V +10%	Ws	11	22	33	44
Parameter DCbus_compat = 1 (reduced switch-on voltage)					
Energy absorption of internal capacitors E _{var} at nominal voltage 115 V +10%	Ws	24	48	73	97
Energy absorption of internal capacitors E _{var} at nominal voltage 200 V +10%	Ws	12	23	35	46
Energy absorption of internal capacitors E _{var} at nominal voltage 230 V +10%	Ws	5	11	16	22

Characteristic	Unit	Value						
		LXM32-U60N4	LXM32-D12N4	LXM32-D18N4	LXM32-D30N4	LXM32-D72N4	LXM32-D85N4	LXM32-C10N4
Capacitance of internal capacitor	µF	110	195	390	560	1120	1230	1230
Parameter DCbus_compat ⁽¹⁾								
Energy absorption of internal capacitors E _{var} at nominal voltage 208 V +10%	Ws	4	8	16	22	45	49	49
Energy absorption of internal capacitors E _{var} at nominal voltage 380 V +10%	Ws	14	25	50	73	145	159	159
Energy absorption of internal capacitors E _{var} at nominal voltage 400 V +10%	Ws	12	22	43	62	124	136	136
Energy absorption of internal capacitors E _{var} at nominal voltage 480 V +10%	Ws	3	5	10	14	28	31	31
(2) Parameter DCbus_compat has no effect in the case of three-phase devices								

Data of Internal Braking Resistor

Characteristic	Unit	Value			
		LXM32-U45M2	LXM32-U90M2	LXM32-D18M2	LXM32-D30M2
Resistance value of internal braking resistor	Ω	94	47	20	10
Continuous power internal braking resistor P _{PR}	W	10	20	40	60
Peak energy E _{CR}	Ws	82	166	330	550

Characteristic	Unit	Value			
		LXM32•U45M2	LXM32•U90M2	LXM32•D18M2	LXM32•D30M2
Parameter DCbus_compat = 0 (default value)					
Switch-on voltage of braking resistor at nominal voltage 115 V	V	236	236	236	236
Switch-on voltage of braking resistor at nominal voltage 200 V and 230 V	V	430	430	430	430
Parameter DCbus_compat = 1 (reduced switch-on voltage)					
Switch-on voltage of braking resistor	V	395	395	395	395

Characteristic	Unit	Value						
		LXM32•U60N4	LXM32•D12N4	LXM32•D18N4	LXM32•D30N4	LXM32•D72N4	LXM32•D85N4	LXM32•C10N4
Resistance value of internal braking resistor	Ω	132	60	30	30	10	10	10
Continuous power internal braking resistor P _{PR}	W	20	40	60	100	150	150	150
Peak energy E _{CR}	Ws	200	400	600	1000	2400	2400	2400
Parameter DCbus_compat ⁽¹⁾								
Switch-on voltage of braking resistor at nominal voltage 208 V	V	430	430	430	430	430	430	430
Switch-on voltage of braking resistor at nominal voltage 380 V, 400 V and 480 V	V	780	780	780	780	780	780	780
(1) Parameter DCbus_compat has no effect in the case of three-phase devices								

Data for External Braking Resistor

Characteristic	Unit	Value			
		LXM32•U45M2	LXM32•U90M2	LXM32•D18M2	LXM32•D30M2
Minimum resistance value of external braking resistor	Ω	68	36	20	10
Maximum resistance value of external braking resistor ⁽¹⁾	Ω	110	55	27	16
Maximum continuous power of external braking resistor	W	200	400	600	800
Parameter DCbus_compat = 0 (default value)					
Switch-on voltage of braking resistor at nominal voltage 115 V	V	236	236	236	236
Switch-on voltage of braking resistor at nominal voltage 200 V and 230 V	V	430	430	430	430
Parameter DCbus_compat = 1 (reduced switch-on voltage)					
Switch-on voltage of braking resistor	V	395	395	395	395
(1) The maximum specified braking resistor can derate the peak power of the device. Depending on the application, it is possible to use a higher ohm resistor.					

Characteristic	Unit	Value						
		LXM32•U60N4	LXM32•D12N4	LXM32•D18N4	LXM32•D30N4	LXM32•D72N4	LXM32•D85N4	LXM32•C10N4
Minimum resistance value of external braking resistor	Ω	70	47	25	15	8	8	8
(1) The maximum specified braking resistor can derate the peak power of the device. Depending on the application, it is possible to use a higher ohm resistor.								
(2) Parameter DCbus_compat has no effect in the case of three-phase devices								

Characteristic	Unit	Value						
		LXM32• U60N4	LXM32• D12N4	LXM32• D18N4	LXM32• D30N4	LXM32• D72N4	LXM32• D85N4	LXM32• C10N4
Maximum resistance value of external braking resistor ⁽¹⁾	Ω	145	73	50	30	12	11	11
Maximum continuous power of external braking resistor	W	200	500	800	1500	3000	4500	5500
Parameter DCbus_compat ⁽²⁾								
Switch-on voltage of braking resistor at nominal voltage 208 V	V	430	430	430	430	430	430	430
Switch-on voltage of braking resistor at nominal voltage 380 V, 400 V and 480 V	V	780	780	780	780	780	780	780
(1) The maximum specified braking resistor can derate the peak power of the device. Depending on the application, it is possible to use a higher ohm resistor.								
(2) Parameter DCbus_compat has no effect in the case of three-phase devices								

Data of External Braking Resistors (Accessories)

Characteristic	Unit	Value							
		VW3A76 01Rxx	VW3A76 02Rxx	VW3A76 03Rxx	VW3A76 04Rxx	VW3A76 05Rxx	VW3A76 06Rxx	VW3A76 07Rxx	VW3A76 08Rxx
Resistance	Ω	10	27	27	27	72	72	72	100
Continuous power	W	400	100	200	400	100	200	400	100
Maximum time in braking at 115 V	s	3	1.8	4.2	10.8	6.36	16.8	42	10.8
Peak power at 115 V	kW	5.6	2.1	2.1	2.1	0.8	0.8	0.8	0.6
Maximum peak energy at 115 V	kWs	16.7	3.7	8.7	22.3	4.9	13	32.5	6
Maximum time in braking at 230 V	s	0.72	0.55	1.08	2.64	1.44	3.72	9.6	2.4
Peak power at 230 V	kW	18.5	6.8	6.8	6.8	2.6	2.6	2.6	1.8
Maximum peak energy at 230 V	kWs	13.3	3.8	7.4	18.1	3.7	9.6	24.7	4.4
Maximum time in braking at 400 V and 480 V	s	0.12	0.084	0.216	0.504	0.3	0.78	1.92	0.48
Peak power at 400 V and 480 V	kW	60.8	22.5	22.5	22.5	8.5	8.5	8.5	6.1
Maximum peak energy at 400 V and 480 V	kWs	7.3	1.9	4.9	11.4	2.5	6.6	16.2	2.9
Degree of protection		IP65	IP65	IP65	IP65	IP65	IP65	IP65	IP65
UL approval (file no.)		-	E233422	E233422	-	E233422	E233422	-	E233422

Characteristic	Unit	Value	
		VW3A7733	VW3A7734
Resistance	Ω	16	10
Continuous power	W	960	960
Maximum time in braking at 115 V	s	20	10
Peak power at 115 V	kW	3.5	5.6
Maximum peak energy at 115 V	kWs	70	59
Maximum time in braking at 230 V	s	3.8	1.98
Peak power at 230 V	kW	11.6	18.5

Characteristic	Unit	Value	
		VW3A7733	VW3A7734
Maximum peak energy at 230 V	kWs	44	36.5
Maximum time in braking at 400 V and 480 V	s	0.7	0.37
Peak power at 400 V and 480 V	kW	38	60.8
Maximum peak energy at 400 V and 480 V	kWs	26.6	22.5
Degree of protection		IP20	IP20
UL approval (file no.)		E226619	E226619

Electromagnetic Emission

Overview

The products described in the present manual meet the EMC requirements as per IEC 61800-3 if the EMC measures described in the present manual are implemented.

⚠ WARNING
ELECTROMAGNETIC DISTURBANCES OF SIGNALS AND DEVICES
Use proper EMC shielding techniques to help prevent unintended device operation in accordance with the standard IEC 61800-3.
Failure to follow these instructions can result in death, serious injury, or equipment damage.

These types of devices are not intended to be used on a low-voltage public network which supplies domestic premises. Radio frequency interference is expected if used in such a network.

⚠ WARNING
RADIO INTERFERENCE
Do not operate this equipment in a first environment as defined in IEC 61800-3.
Failure to follow these instructions can result in death, serious injury, or equipment damage.

EMC Categories

The following categories for emission as per IEC 61800-3 are reached if the EMC measures described in the present manual are implemented.

Emission type	Category LXM32••••M2	Category LXM32••••N4
Conducted emission Motor cable length ≤10 m (≤32.81 ft) Motor cable length 10 ... ≤20 m (32.81 ... ≤65.62 ft)	Category C2 Category C3	Category C3 Category C3
Radiated emission Motor cable length ≤20 m (65.62 ft)	Category C3	Category C3

EMC Categories With External Mains Filter

The following categories for emission as per IEC 61800-3 are reached if the EMC measures described in the present manual are implemented and if the external mains filters offered as accessories are used.

Emission type	Category LXM32••••M2	Category LXM32••••N4
Conducted emission Motor cable length ≤20 m (65.62 ft) Motor cable length >20 ... ≤50 m (>65.62 ... ≤164.00 ft) Motor cable length >50 ... ≤100 m (>164.00 ... ≤328.01 ft)	Category C1 Category C2 Category C3	Category C1 Category C2 Category C3
Radiated emission Motor cable length ≤100 m (328.01 ft)	Category C3	Category C3

Assignment of External Mains Filters

Single-phase drives	Mains filter reference
LXM32•U45M2 (230 V, 1,5 A)	VW3A4420 (9 A)
LXM32•U90M2 (230 V, 3 A)	VW3A4420 (9 A)
LXM32•D18M2 (230 V, 6 A)	VW3A4421 (16 A)
LXM32•D30M2 (230 V, 10 A)	VW3A4421 (16 A)

Three-phase drives	Mains filter reference
LXM32-U60N4 (480 V, 1,5 A)	VW3A4422 (15 A)
LXM32-D12N4 (480 V, 3 A)	VW3A4422 (15 A)
LXM32-D18N4 (480 V, 6 A)	VW3A4422 (15 A)
LXM32-D30N4 (480 V, 10 A)	VW3A4422 (15 A)
LXM32-D72N4 (480 V, 24 A)	VW3A4423 (25 A)
LXM32-D85N4 (480 V, 32 A)	VW3A4424 (47 A)
LXM32-C10N4 (480 V, 40 A)	VW3A4424 (47 A)

Several devices can be connected to a common external mains filter.

Prerequisites:

- Single-phase devices may only be connected to single-phase mains filters; three-phase devices may only be connected to three-phase devices.
- The total input current of the connected devices must be smaller than or equal to the permissible nominal current of the mains filter.

Nonvolatile Memory and Memory Card

Nonvolatile Memory

The following table shows characteristics for the nonvolatile memory:

Characteristic	Value
Minimum number of writing cycles	100000
Type	EEPROM

Memory Card

The following table shows characteristics for the memory card:

Characteristic	Value
Minimum number of writing cycles	100000
Minimum number of plug-in cycles	1000

Memory Card Holder

The following table shows characteristics for the memory card holder:

Characteristic	Value
Minimum number of plug-in cycles	5000

Certifications

Product certifications:

Certified by	Assigned number
TÜV Nord	SAS-192/2008TB-1
UL	E116875
CSA	2320425

Conditions for UL 508C and CSA

If the product is used to comply with UL 508C or CSA, the following conditions must also be met:

Ambient Temperature During Operation

Characteristic	Unit	Value
Surrounding air temperature	°C (°F)	0 ... 50 (32 ... 122)

Fuses

Use fuses as per UL 248.

Characteristic	Unit	Value		
		LXM32••••M2	LXM32•U60N4, LXM32•D12N4, LXM32•D18N4, LXM32•D30N4, LXM32•D72N4	LXM32•D85N4, LXM32•C10N4
Maximum fuse rating of fuse to be connected upstream	A	25	30	60
Class of fuse		CC or J	CC or J	J
Short-circuit current rating (SCCR)	kA	12	12	22

Circuit Breaker

Characteristic	Unit	Value					
		LXM32•U45M2, LXM32•U90M2	LXM32•D18M2, LXM32•D30M2	LXM32•U60N4, LXM32•D12N4, LXM32•D18N4	LXM32•D30N4, LXM32•D72N4	LXM32•D85N4, LXM32•C10N4	
Catalog number of type E combination motor controller		GV2P14 or GV3P25	GV3P25	GV2P14 or GV3P25	GV2P22	GV2P22	Not available
Short-circuit current rating (SCCR)	kA	12	12	12	10	10	-

Wiring

Use at least 75 °C (167 °F) copper conductors.

400/480 V Three-Phase Devices

400/480 V three-phase devices may only be operated via mains up to 480Y/277Vac.

Overvoltage Category

Use only in overvoltage category III or where the maximum available Rated Impulse Withstand Voltage Peak is equal or less than 4000 Volts.

Motor Overload Protection

This equipment provides Solid State Motor Overload Protection at 200 % of maximum FLA (Full Load Ampacity).

Chapter 3

Engineering

What Is in This Chapter?

This chapter contains the following sections:

Section	Topic	Page
3.1	Electromagnetic Compatibility (EMC)	60
3.2	Cables and Signals	67
3.3	Mains Supply	76
3.4	Rating the Braking Resistor	80
3.5	Functional Safety	86

Section 3.1

Electromagnetic Compatibility (EMC)

What Is in This Section?

This section contains the following topics:

Topic	Page
General	61
Deactivating the Y Capacitors	66

General

EMC-Compliant Wiring

This product meets the EMC requirements according to the standard IEC 61800-3 if the measures described in this manual are implemented during installation.

Signal interference can cause unexpected responses of the drive system and of other equipment in the vicinity of the drive system.

WARNING

SIGNAL AND EQUIPMENT INTERFERENCE

- Install the wiring in accordance with the EMC requirements described in the present document.
- Verify compliance with the EMC requirements described in the present document.
- Verify compliance with all EMC regulations and requirements applicable in the country in which the product is to be operated and with all EMC regulations and requirements applicable at the installation site.

Failure to follow these instructions can result in death, serious injury, or equipment damage.

WARNING

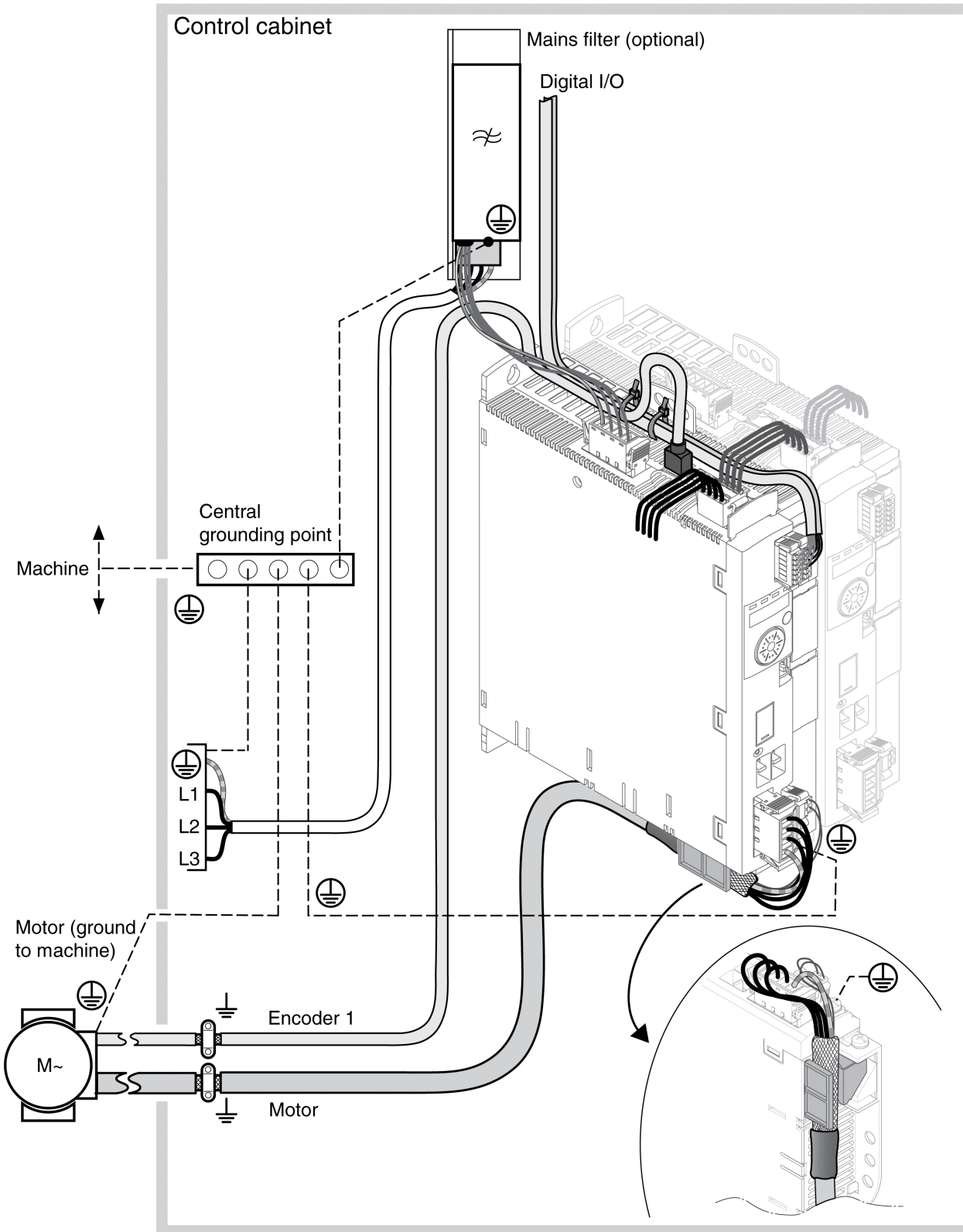
ELECTROMAGNETIC DISTURBANCES OF SIGNALS AND DEVICES

Use proper EMC shielding techniques to help prevent unintended device operation in accordance with the standard IEC 61800-3.

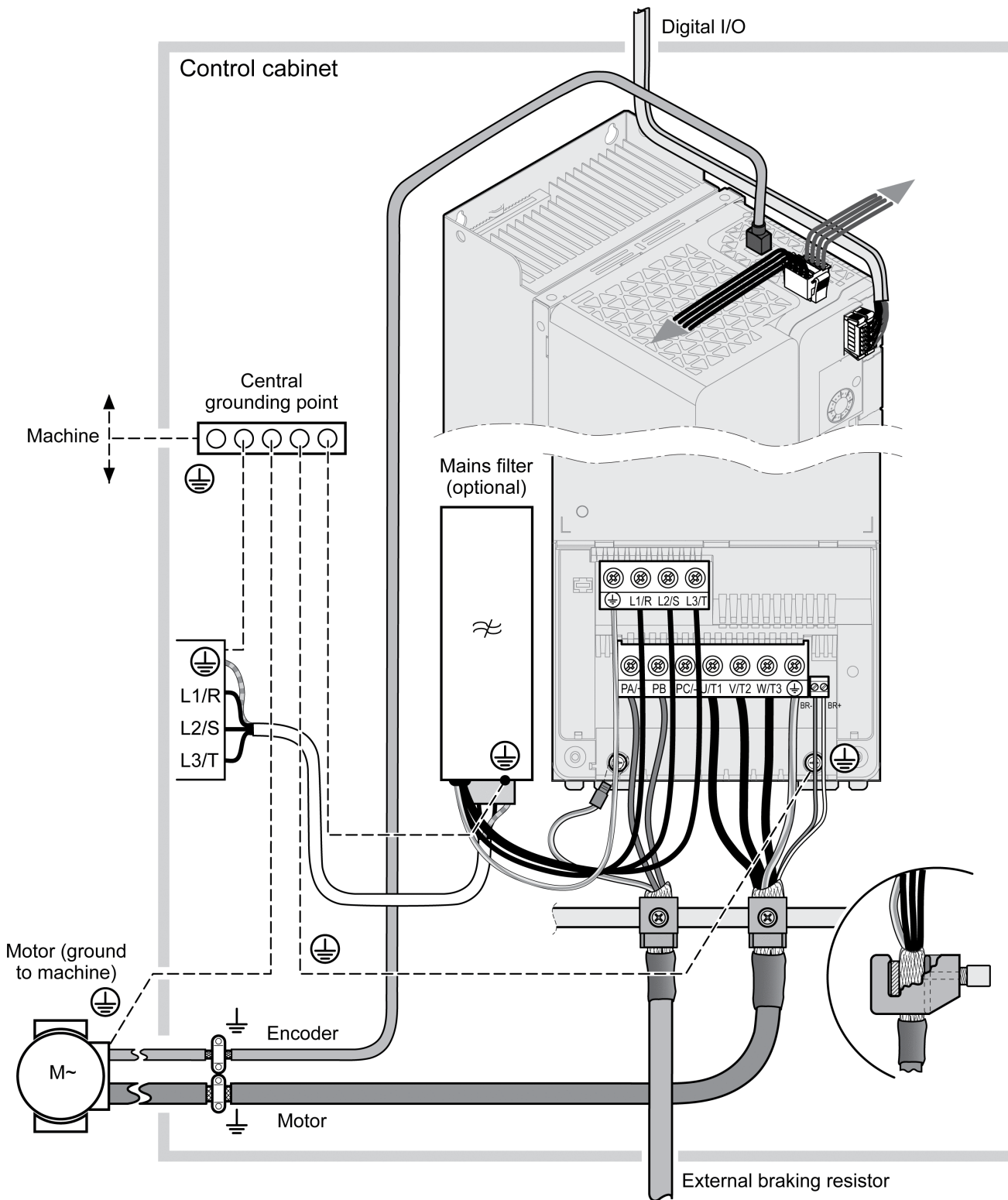
Failure to follow these instructions can result in death, serious injury, or equipment damage.

See chapter Electromagnetic Emission (*see page 54*) for the EMC categories.

Overview of wiring with EMC details



Overview of wiring with EMC details



EMC Requirements for the Control Cabinet

EMC measures	Objective
Use mounting plates with good electrical conductivity, connect large surface areas of metal parts, remove paint from contact areas.	Good conductivity due to large surface contact.

EMC measures	Objective
Ground the control cabinet, the control cabinet door and the mounting plate with ground straps or ground wires. The conductor cross section must be at least 10 mm ² (AWG 6).	Reduces emissions.
Install switching devices such as power contactors, relays or solenoid valves with interference suppression units or arc suppressors (for example, diodes, varistors, RC circuits).	Reduces mutual interference
Do not install power components and control components adjacent to one another.	Reduces mutual interference

Shielded Cables

EMC measures	Objective
Connect large surface areas of cable shields, use cable clamps and ground straps.	Reduces emissions.
Use cable clamps to connect a large surface area of the shields of all shielded cables to the mounting plate at the control cabinet entry.	Reduces emissions.
Ground shields of digital signal wires at both ends by connecting them to a large surface area or via conductive connector housings.	Reduces interference affecting the signal wires, reduces emissions
Ground the shields of analog signal wires directly at the device (signal input); insulate the shield at the other cable end or ground it via a capacitor (for example, 10 nF).	Reduces ground loops due to low-frequency interference.
Use only shielded motor cables with copper braid and a coverage of at least 85%, ground a large surface area of the shield at both ends.	Diverts interference currents in a controlled way, reduces emissions.

Cable Installation

EMC measures	Objective
Do not route fieldbus cables and signal wires in a single cable duct together with lines with DC and AC voltages of more than 60 V. (Fieldbus cables, signal lines and analog lines may be in the same cable duct) Use separate cable ducts at least 20 cm (7.87 in) apart.	Reduces mutual interference
Keep cables as short as possible. Do not install unnecessary cable loops, use short cables from the central grounding point in the control cabinet to the external ground connection.	Reduces capacitive and inductive interference.
Use equipotential bonding conductors in the following cases: wide-area installations, different voltage supplies and installation across several buildings.	Reduces current in the cable shield, reduces emissions.
Use fine stranded equipotential bonding conductors.	Diverts high-frequency interference currents.
If motor and machine are not conductively connected, for example by an insulated flange or a connection without surface contact, you must ground the motor with a ground strap or a ground wire. The conductor cross section must be at least 10 mm ² (AWG 6).	Reduces emissions, increases immunity.
Use twisted pair for the DC supply.	Reduces interference affecting the signal cables, reduces emissions.

Power Supply

EMC measures	Objective
Operate product on mains with grounded neutral point.	Enables effectiveness of mains filter.
Surge arrester if there is a risk of overvoltage.	Reduces the risk of damage caused by overvoltage.

Motor and Encoder Cables

Motor and encoder cables require particular attention in terms of EMC. Use only pre-assembled cables (see chapter Accessories and Spare Parts ([see page 613](#))) or cables that comply with the specifications (see chapter Cables and Signals ([see page 67](#))) and implement the EMC measures described below.

EMC measures	Objective
Do not install switching elements in motor cables or encoder cables.	Reduces interference.
Route the motor cable at a distance of at least 20 cm (7.87 in) from the signal cable or use shielding plates between the motor cable and signal cable.	Reduces mutual interference
For long lines, use equipotential bonding conductors.	Reduces current in the cable shield.
Route the motor cable and encoder cable without cutting them. ⁽¹⁾	Reduces emission.
(1) If a cable has to be cut for the installation, it has to be connected with shield connections and a metal housing at the point of the cut.	

Additional Measures for EMC Improvement

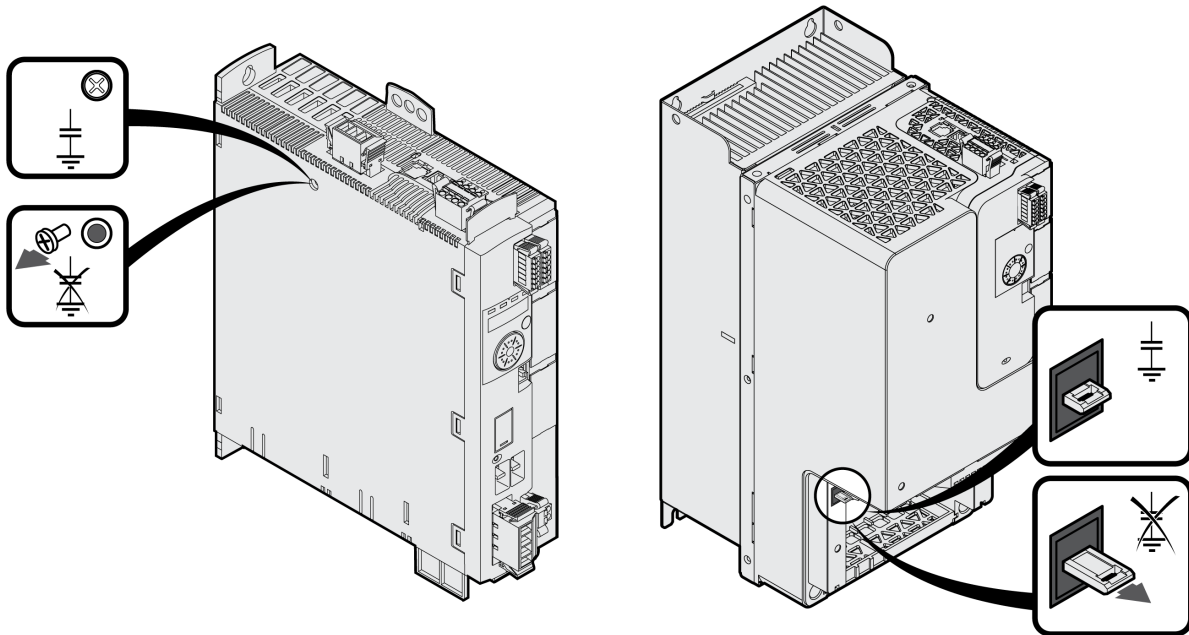
Depending on the application, the following measures can improve the EMC-dependent values:

EMC measures	Objective
Use mains reactors	Reduces mains harmonics, prolongs product service life.
Use external mains filters	Improves the EMC limit values.
Install in a closed control cabinet with increased shielding.	Improves the EMC limit values.

Deactivating the Y Capacitors

Description

The ground connections of the internal Y capacitors can be disconnected (deactivation). Usually, it is not required to deactivate the ground connection of the Y capacitors.



For LXM32•U45 ... LXM32•D72:

To deactivate the Y capacitors, remove the screw. Keep this screw so you can re-activate the Y capacitors, if required.

For LXM32•D85 and LXM32•C10:

To deactivate the Y capacitors, pull out the selector.

The drive no longer complies with the EMC limit values specified if the Y capacitors are deactivated.

Section 3.2

Cables and Signals

What Is in This Section?

This section contains the following topics:

Topic	Page
Cables - General	68
Overview of the Required Cables	70
Cable Specifications	71
Logic Type	74
Configurable Inputs and Outputs	75

Cables - General

Suitability of the Cables

Cables must not be twisted, stretched, crushed or bent. Use only cables that comply with the cable specification. Consider the following in determining suitability of the cables:

- Suitable for drag chain applications
- Temperature range
- Chemical resistance
- Outdoor installation
- Underground installation


Connecting Shields

Shield connection possibilities:

- Motor cable: The motor cable shield is fastened in the shield clamp at the bottom of the device.
- Other cables: The shields are connected to the shield connection at the bottom of the device.
- Alternative: Connect the shield via shield clamps and rail, for example.

Equipotential Bonding Conductors

Potential differences can result in excessive currents on the cable shields. Use equipotential bonding conductors to reduce currents on the cable shields. The equipotential bonding conductor must be rated for the maximum current.

 **WARNING**

UNINTENDED EQUIPMENT OPERATION

- Ground cable shields for all fast I/O, analog I/O, and communication signals at a single point. ¹⁾
- Route communications and I/O cables separately from power cables.

Failure to follow these instructions can result in death, serious injury, or equipment damage.

¹⁾ Multipoint grounding is permissible if connections are made to an equipotential ground plane dimensioned to help avoid cable shield damage in the event of power system short-circuit currents.

Conductor Cross Sections According to Method of Installation

The following sections describe the conductor cross sections for two methods of installation:

- Method of installation B2:
Cables in conduits or cable trunking systems
- Method of installation E:
Cables on open cable trays

Cross section in mm ² (AWG)	Current-carrying capacity with method of installation B2 in A ⁽¹⁾	Current carrying capacity with method of installation E in A ⁽¹⁾
0.75 (18)	8.5	10.4
1 (16)	10.1	12.4
1.5 (14)	13.1	16.1
2.5 (12)	17.4	22
4 (10)	23	30
6 (8)	30	37
10 (6)	40	52
16 (4)	54	70
25 (2)	70	88

(1) Values as per IEC 60204-1 for continuous operation, copper conductors and ambient air temperature 40 °C (104 °F). See IEC 60204-1 for additional information. The table is an excerpt from this standard and also shows cable cross-sections that are not applicable with regard to the product.

Note the derating factors for grouping of cables and correction factors for other ambient conditions (IEC 60204-1).

The conductors must have a sufficiently large cross section so that the upstream fuse can trip.

In the case of longer cables, it may be necessary to use a greater conductor cross section to reduce the energy losses.

Overview of the Required Cables

The properties of the required cables are listed in the table below. Use pre-assembled cables to reduce the risk of wiring errors. Pre-assembled cables can be found in chapter Accessories and Spare Parts (*see page 613*). If the product is used to comply with the requirements as per UL 508C, the conditions specified in chapter Conditions for UL 508C and CSA (*see page 58*) must be met.

	Maximum length:	Minimum cross section	Shielded, both ends grounded	Twisted pair	PELV
24 Vdc control supply	–	0.75 mm ² (AWG 18)			Required
Safety function STO ⁽¹⁾	–	0.75 mm ² (AWG 18)	(1)		Required
Power stage supply	–	– ⁽²⁾			
Motor phases	– ⁽³⁾	– ⁽⁴⁾	Required		
External braking resistor	3 m (9.84 ft)	As power stage supply	Required		
Motor encoder	100 m (328.01 ft)	6 * 0.14 mm ² and 2 * 0.34 mm ² (6 * AWG 24 and 2 * AWG 20)	Required	Required	Required
A/B signals	100 m (328.08 ft)	0.25 mm ² (AWG 22)	Required	Required	Required
PULSE / DIR signals	100 m (328.08 ft)	0.14 mm ² (AWG 24)	Required	Required	Required
CW/CCW signals	100 m (328.08 ft)	0.14 mm ² (AWG 24)	Required	Required	Required
ESIM	100 m (328.08 ft)	0.14 mm ² (AWG 24)	Required	Required	Required
Digital inputs / outputs	30 m (98.43 ft)	0.14 mm ² (AWG 24)			Required
PC, commissioning interface	20 m (65.62 ft)	0.14 mm ² (AWG 24)	Required	Required	Required
<p>(1) Note the installation requirements (protected cable installation), see chapter Safety function STO ("Safe Torque Off") (<i>see page 86</i>).</p> <p>(2) See Connection Power Stage Supply (CN1) (<i>see page 120</i>)</p> <p>(3) Length depends on the required limit values for conducted interference.</p> <p>(4) See Connection Motor Phases and Holding Brake (CN10 and CN11) (<i>see page 111</i>)</p>					

Cable Specifications

Using pre-assembled cables helps to reduce the possibility of wiring errors. See chapter Accessories and Spare Parts (*see page 613*).

The genuine accessories have the following properties:

Motor Cable With Connector

VW3...		M5100R...	M5101R...	M5102R...	M5103R...	M5105R...	M5104R...
Cable jacket, insulation		PUR orange (RAL 2003), TPM	PUR orange (RAL 2003), polypropylene (PP)				
Capacitance power wires							
Wire/wire	pF/m	80	80	80	90	85	100
Wire/shield	pF/m	145	135	150	150	150	160
Number of contacts (shielded)		(4 x 1 mm ² + 2 x (2 x 0.75 mm ²))	(4 x 1.5 mm ² + (2 x 1 mm ²))	(4 x 2.5 mm ² + (2 x 1 mm ²))	(4 x 4 mm ² + (2 x 1 mm ²))	(4 x 6 mm ² + (2 x 1 mm ²))	(4 x 10 mm ² + (2 x 1 mm ²))
Connector motor side		8-pin circular Y-TEC	8-pin circular M23		8-pin circular M40		
Connector drive side		Open					
Cable diameter	mm (in)	11 ± 0.3 (0.43 ± 0.01)	12 ± 0.2 (0.47 ± 0.01)	14.3 ± 0.3 (0.55 ± 0.01)	16.3 ± 0.3 (0.64 ± 0.01)	18.8 ± 0.4 (0.74 ± 0.02)	23.5 ± 0.6 (0.93 ± 0.02)
Minimum bend radius with fixed installation		10 times the cable diameter	5 times the cable diameter				
Minimum bend radius with moving installation		10 times the cable diameter	7.5 times the cable diameter			10 times the cable diameter	
Nominal voltage							
Motor phases	V	1000	600				
Holding brake	V	1000	300				
Maximum orderable length	m (ft)	25 (82)	75 (246)				
Permissible temperature range during operation with fixed installation	°C (°F)	-40 ... 80 (-40 ... 176)					
Permissible temperature range during operation with moving installation	°C (°F)	-20 ... 60 (-4 ... 140)	-20 ... 80 (-4 ... 176)				
Certifications / declaration of conformity		CE, DESINA					

Motor Cable Without Connector

VW3...		M5300R...	M5301R...	M5302R...	M5303R...	M5305R...	M5304R...
Cable jacket, insulation		PUR orange (RAL 2003), TPM	PUR orange (RAL 2003), polypropylene (PP)				
Capacitance power wires							
Wire/wire	pF/m	80	80	80	90	85	100
Wire/shield	pF/m	145	135	150	150	150	160

VW3...		M5300R...	M5301R...	M5302R...	M5303R...	M5305R...	M5304R...
Number of contacts (shielded)		(4 x 1 mm ² + 2 x (2 x 0.75 mm ²))	(4 x 1.5 mm ² + (2 x 1 mm ²))	(4 x 2.5 mm ² + (2 x 1 mm ²))	(4 x 4 mm ² + (2 x 1 mm ²))	(4 x 6 mm ² + (2 x 1 mm ²))	(4 x 10 mm ² + (2 x 1 mm ²))
Connector motor side		Open					
Connector drive side		Open					
Cable diameter	mm (in)	11 ± 0.3 (0.43 ± 0.01)	12 ± 0.2 (0.47 ± 0.01)	14.3 ± 0.3 (0.55 ± 0.01)	16.3 ± 0.3 (0.64 ± 0.01)	18.8 ± 0.4 (0.74 ± 0.02)	23.5 ± 0.6 (0.93 ± 0.02)
Minimum bend radius with fixed installation		10 times the cable diameter	5 times the cable diameter				
Minimum bend radius with moving installation		10 times the cable diameter	7.5 times the cable diameter			10 times the cable diameter	
Nominal voltage	V						
Motor phases		1000	600				
Holding brake		1000	300				
Maximum orderable length	m (ft)	100 (328)					
Permissible temperature range during operation with fixed installation	°C (°F)	-40 ... 80 (-40 ... 176)					
Permissible temperature range during operation with moving installation	°C (°F)	-20 ... 60 (-4 ... 140)	-20 ... 80 (-4 ... 176)				
Certifications / declaration of conformity		CE, c-UR-us, DESINA					

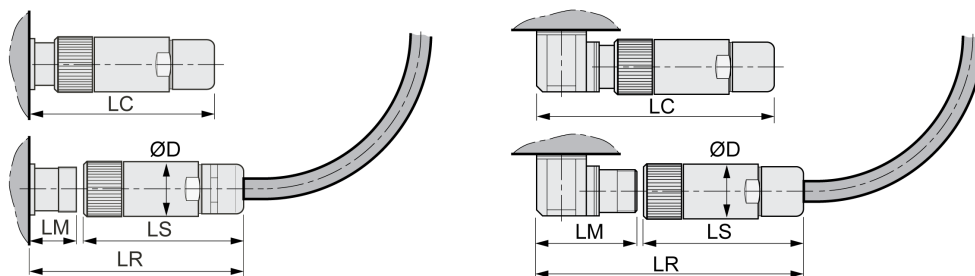
Encoder Cable With and Without Connectors

VW3...		M8100R...	M8102R...	M8222R...
Cable jacket, insulation		PUR green (RAL 6018), polypropylene (PP)		
Capacitance	pF/m	Approx. 135 (wire/wire)		
Number of contacts (shielded)		(3 x 2 x 0.14 mm ² + 2 x 0.34 mm ²)		
Connector motor side		12-pin circular Y-TEC	12-pin circular M23	Open
Connector drive side		10-pin RJ45	10-pin RJ45	Open
Cable diameter	mm (in)	6.8 ± 0.2 (0.27 ± 0.1)		
Minimum bend radius	mm (in)	68 (2.68)		
Nominal voltage	V	300		
Maximum orderable length	m (ft)	25 (82)	75 (246)	100 (328)
Permissible temperature range during operation with fixed installation	°C (°F)	-40 ... 80 (-40 ... 176)		
Permissible temperature range during operation with moving installation	°C (°F)	-20 ... 80 (-4 ... 176)		
Certifications / declaration of conformity		DESINA		c-UR-us, DESINA

Clearance For Connectors

Straight connectors

Angular connectors



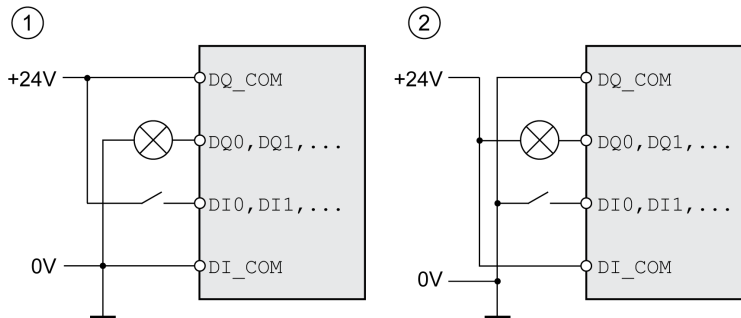
Dimensions		Motor connectors straight		Encoder connector straight
		M23	M40	M23
D	mm (in)	28 (1.1)	46 (1.81)	26 (1.02)
LS	mm (in)	76 (2.99)	100 (3.94)	51 (2.01)
LR	mm (in)	117 (4.61)	155 (6.1)	76 (2.99)
LC	mm (in)	100 (3.94)	145 (5.71)	60 (2.36)
LM	mm (in)	40 (1.57)	54 (2.13)	23 (0.91)

Dimensions		Motor connectors angular			Encoder connector angular	
		Y-TEC	M23	M40	Y-TEC	M23
D	mm (in)	18.7 (0.74)	28 (1.1)	46 (1.81)	18.7 (0.74)	26 (1.02)
LS	mm (in)	42 (1.65)	76 (2.99)	100 (3.94)	42 (1.65)	51 (2.01)
LR	mm (in)	100 (3.94)	132 (5.2)	191 (7.52)	100 (3.94)	105 (4.13)
LC	mm (in)	89 (3.50)	114 (4.49)	170 (6.69)	89 (3.50)	89 (3.5)
LM	mm (in)	58 (2.28)	55 (2.17)	91 (3.58)	58 (2.28)	52 (2.05)

Logic Type

Overview

The digital inputs and outputs of this product can be wired to enable positive logic or negative logic.



Logic type	Active state
(1) Positive logic	Output supplies current (source output) Current flows to the input (sink input)
(2) Negative logic	Output draws current (sink output) Current flows from the input (source input)

Signal inputs are protected against reverse polarity, outputs are short-circuit protected. The inputs and outputs are functionally isolated.

If negative logic is used, a ground fault of a signal is detected as an On state.

⚠ WARNING

UNINTENDED EQUIPMENT OPERATION

Verify that a short-circuit of a signal cannot cause unintended equipment operation.

Failure to follow these instructions can result in death, serious injury, or equipment damage.

Selection of the Logic Type

The logic type is determined by the wiring of DI_COM and DQ_COM. The logic type affects wiring and control of the sensors; therefore, you must determine the required value in the engineering phase in view of the application.

Special Case: Safety Function STO

The inputs for the safety function STO (inputs STO_A and STO_B) can only be wired for sinking inputs.

Configurable Inputs and Outputs

This product has digital inputs and outputs that can be configured for specific functional assignments. The inputs and outputs have a defined standard assignment depending on the operating mode. This assignment can be adapted to the requirements of the customer's installation. See chapter Digital Inputs and Outputs (*see page 221*) for additional information.

Section 3.3

Mains Supply

What Is in This Section?

This section contains the following topics:

Topic	Page
Residual Current Device	77
Common DC Bus	78
Mains Reactor	79

Residual Current Device

Direct current can be introduced in the protective ground conductor of this drive. If a residual current device (RCD / GFCI) or a residual current monitor (RCM) is used for protection against direct or indirect contact, the following specific types must be used:

WARNING

DIRECT CURRENT CAN BE INTRODUCED INTO THE PROTECTIVE GROUND CONDUCTOR

- Use a Type A Residual Current Device (RCD / GFCI) or a Residual Current Monitor (RCM) for single-phase drives connected to a phase and to the neutral conductor.
- Use a Type B Residual Current Device (RCD / GFCI) or a Residual Current Monitor (RCM) that has approval for use with frequency inverters and is sensitive to all types of current for three-phase devices and for single-phase devices not connected to a phase and the neutral conductor.

Failure to follow these instructions can result in death, serious injury, or equipment damage.

Further conditions for use of a residual current device:

- The drive has an increased leakage current at the moment power is applied. Use a residual current device (RCD / GFCI) or a residual current monitor (RCM) with a response delay.
- High-frequency currents must be filtered.

Common DC Bus

Function Principle

The DC buses of several devices can be connected so that energy can be used efficiently. If one device decelerates, a different device connected to the common DC bus can use the generated braking energy. Without a common DC bus, the braking energy would be converted to heat by the braking resistor while the other device would have to be supplied with energy from mains.

Another advantage of having a common DC bus is that several devices can share one external braking resistor. The number of the individual external braking resistors can be reduced to a single braking resistor if the braking resistor is properly rated.

This and other important information can be found in the Common DC bus Application Note for the drive. If you wish to take advantage of DC bus sharing, you must first consult the Common DC bus Application Note for important safety-related information.

Requirements for Use

The requirements and limit values for parallel connection of multiple devices via the DC bus are described in the Common DC bus Application Note for the drive that can be found on <https://www.se.com>. If there are any issues or questions related to obtaining the Common DC bus Application Note, consult your local Schneider-Electric representative.

Mains Reactor

A mains reactor must be used under the following conditions:

- Operation via supply mains with low impedance (short-circuit current of supply mains greater than specified in chapter Technical Data *(see page 25)*).
- If the nominal power of the drive is insufficient without mains reactor.
- In the case of operation with supply mains with reactive power compensation systems.
- For improvement of the power factor at the mains input and for reduction of mains harmonics.

A single mains reactor can be used for multiple devices. Use a mains reactor with a properly rated current.

Low-impedance supply mains cause high harmonic currents at the mains input. High harmonic currents result in considerable load on the DC bus capacitors. The load on the DC bus capacitors has a decisive impact on the service life of the devices.

Section 3.4

Rating the Braking Resistor

What Is in This Section?

This section contains the following topics:

Topic	Page
Internal Braking Resistor	81
External Braking Resistor	82
Rating Information	83

Internal Braking Resistor

The drive is equipped with a internal braking resistor to absorb braking energy.

Braking resistors are required for dynamic applications. During deceleration, the kinetic energy is transformed into electrical energy in the motor. The electrical energy increases the DC bus voltage. The braking resistor is activated when the defined threshold value is exceeded. The braking resistor transforms electrical energy into heat. If highly dynamic deceleration is required, the braking resistor must be well adapted to the system.

An insufficiently rated braking resistor can cause overvoltage on the DC bus. Overvoltage on the DC bus causes the power stage to be disabled. The motor is no longer actively decelerated.

WARNING

UNINTENDED EQUIPMENT OPERATION

- Verify that the braking resistor has a sufficient rating by performing a test run under maximum load conditions.
- Verify that the parameter settings for the braking resistor are correct.

Failure to follow these instructions can result in death, serious injury, or equipment damage.

External Braking Resistor

An external braking resistor is required for applications in which the motor must be decelerated quickly and the internal braking resistor cannot absorb the excess braking energy.

The temperature of the braking resistor may exceed 250 °C (482 °F) during operation.

WARNING

HOT SURFACES

- Ensure that it is not possible to make any contact with a hot braking resistor.
- Do not allow flammable or heat-sensitive parts in the immediate vicinity of the braking resistor.
- Verify that the heat dissipation is sufficient by performing a test run under maximum load conditions.

Failure to follow these instructions can result in death, serious injury, or equipment damage.

Monitoring

The device monitors the power of the braking resistor. The load on the braking resistor can be read out. The output for the external braking resistor is short-circuit protected. The drive does not monitor for ground faults of the braking resistor.

Selection of the External Braking Resistor

The rating of an external braking resistor depends on the required peak power and continuous power. The resistance R is derived from the required peak power and the DC bus voltage.

$$R = \frac{U^2}{P_{\max}}$$

R = Resistance in Ω

U = Switching threshold for braking resistor V

P_{\max} = Required peak power in W

If 2 or more braking resistors are connected to one drive, note the following criteria:

- The total resistance of all connected regenerative resistors must comply with the approved resistance.
- The braking resistors can be connected in parallel or in series. Only connect braking resistors with identical resistance in parallel in order to evenly distribute the load to the braking resistors.
- The total continuous power of all connected braking resistors result must be greater than or equal to the required continuous power.

Use only resistors that are specified as braking resistors. For suitable braking resistors, see chapter Accessories and Spare Parts ([see page 613](#)).

Mounting and Commissioning of an External Braking Resistor

A parameter is used to switch between the internal braking resistor and an external braking resistor.

The external braking resistors listed in the Accessories chapter are shipped with an information sheet that provides details on installation.

Rating Information

Description

To rate the braking resistor, calculate the proportion contributing to absorbing braking energy.

An external braking resistor is required if the kinetic energy that must be absorbed exceeds the possible total internal energy absorption.

Internal Energy Absorption

Braking energy is absorbed internally by:

- DC bus capacitor E_{var}
- Internal braking resistor E_i
- Electrical losses of the drive E_{el}
- Mechanical losses of the drive E_{mech}

Values for the energy absorption E_{var} can be found in chapter Braking Resistor (*see page 50*).

Internal Braking Resistor

Two characteristic values determine the energy absorption of the internal braking resistor.

- The continuous power P_{PR} is the amount of energy that can be continuously absorbed without overloading the braking resistor.
- The maximum energy E_{CR} limits the maximum short-term power that can be absorbed.

If the continuous power was exceeded for a specific time, the braking resistor must remain without load for a corresponding period.

The characteristic values P_{PR} and E_{CR} of the internal braking resistor can be found in chapter Braking Resistor (*see page 50*).

Electrical Losses E_{el}

The electrical losses E_{el} of the drive system can be estimated on the basis of the peak power of the drive. The maximum power dissipation is approximately 10% of the peak power at a typical efficiency of 90%. If the current during deceleration is lower, the power dissipation is reduced accordingly.

Mechanical Losses E_{mech}

The mechanical losses result from friction during operation of the system. Mechanical losses are negligible if the time required by the system to coast to a stop without a driving force is considerably longer than the time required to decelerate the system. The mechanical losses can be calculated from the load torque and the velocity from which the motor is to stop.

Example

Deceleration of a rotary motor with the following data:

- Initial speed of rotation: $n = 4000$ RPM
- Rotor inertia: $J_R = 4$ kgcm²
- Load inertia: $J_L = 6$ kgcm²
- Drive: $E_{var} = 23$ Ws, $E_{CR} = 80$ Ws, $P_{PR} = 10$ W

Calculation of the energy to be absorbed:

$$E_B = \frac{1}{2} J \cdot \left[\frac{2\pi n}{60} \right]^2$$

to $E_B = 88$ Ws. Electrical and mechanical losses are ignored.

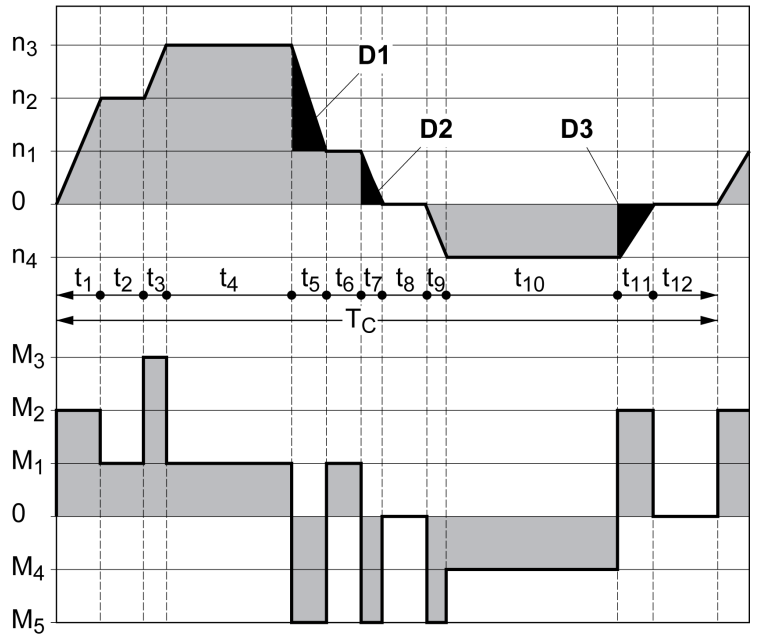
In this example, the DC bus capacitors absorb $E_{var} = 23$ Ws (the value depends on the device type).

The internal braking resistor must absorb the remaining 65 Ws. It can absorb a pulse of $E_{CR} = 80$ Ws. If the load is decelerated once, the internal braking resistor is sufficient.

If the deceleration is repeated cyclically, the continuous power must be taken into account. If the cycle time is longer than the ratio of the energy to be absorbed E_B and the continuous power P_{PR} , the internal braking resistor is sufficient. If the system decelerates more frequently, the internal braking resistor is not sufficient. In this example, the ratio of E_B/P_{PR} is 8.8 s. An external braking resistor is required if the cycle time is shorter.

Rating the External Braking Resistor

Characteristic curves for rating the braking resistor



These two characteristics are also used for the rating the motor. The segments of the characteristic curves to be considered are designated by D_i ($D_1 \dots D_3$).

The total inertia J_t must be known for the calculation of the energy at constant deceleration..

$$J_t = J_m + J_c$$

J_m : Motor inertia (with holding brake)

J_c : Load inertia

The energy for each deceleration segment is calculated as follows:

$$E_i = \frac{1}{2} J_t \cdot \omega_i^2 = \frac{1}{2} J_t \cdot \left[\frac{2\pi n_i}{60} \right]^2$$

Calculation for the segments (D_1) ... (D_3):

$$E_1 = \frac{1}{2} J_t \cdot \left[\frac{2\pi}{60} \right]^2 \cdot \left[n_3^2 - n_1^2 \right]$$

$$E_2 = \frac{1}{2} J_t \cdot \left[\frac{2\pi n_1}{60} \right]^2$$

$$E_3 = \frac{1}{2} J_t \cdot \left[\frac{2\pi n_4}{60} \right]^2$$

Units: E_i in Ws (wattseconds), J_t in kgm^2 , ω in rad and n_i in RPM.

See the technical data for the energy absorption E_{var} of the devices (without consideration of a braking resistor).

In the next calculation steps, only consider those segments D_i , whose energy E_i exceeds the energy absorption of the device. These excess energies E_{D_i} must be diverted by means of the braking resistor.

E_{D_i} is calculated using the following formula:

$$E_{D_i} = E_i - E_{\text{var}} \text{ (in Ws)}$$

The continuous power P_c is calculated for each machine cycle:

$$P_c = \frac{\sum E_{D_i}}{\text{Cycletime}}$$

Units: P_c in W, E_{D_i} in Ws and cycle time T in s

The selection is made in two steps:

- If the following conditions are met, the internal braking resistor is sufficient.
 - The maximum energy during deceleration must be less than the peak energy that the braking resistor can absorb: $(E_{D_i}) < (E_{Cr})$.
 - The continuous power of the internal braking resistor must not be exceeded: $(P_c) < (P_{Pr})$.
- If the conditions are not met, you must use an external braking resistor that meets the conditions.

For order data for the external braking resistors, see chapter Accessories and Spare Parts ([see page 613](#)).

Section 3.5

Functional Safety

What Is in This Section?

This section contains the following topics:

Topic	Page
Basics	87
Definitions	90
Function	91
Requirements for Using the Safety-Related Function STO	92
Application Examples STO	94

Basics

Functional Safety

Automation and safety engineering are closely related. Engineering, installation and operation of complex automation solutions are greatly simplified by integrated safety-related functions and modules.

Usually, the safety engineering requirements depend on the application. The level of the requirements results from, among other things, the risk and the hazard potential arising from the specific application and from the applicable standards and regulations.

The goal of designing machines safely is to protect people. The risk associated with machines with electrically controlled drives comes chiefly from moving machine parts and electricity itself.

Only you, the user, machine builder, or system integrator can be aware of all the conditions and factors realized in the design of your application for the machine. Therefore, only you can determine the automation equipment and the related safeties and interlocks which can be properly used, and validate such usage.

WARNING

NON-CONFORMANCE TO SAFETY FUNCTION REQUIREMENTS

- Specify the requirements and/or measures to be implemented in the risk analysis you perform.
- Verify that your safety-related application complies to applicable safety regulations and standards.
- Make certain that appropriate procedures and measures (according to applicable sector standards) have been established to help avoid hazardous situations when operating the machine.
- Use appropriate safety interlocks where personnel and/or equipment hazards exist.
- Validate the overall safety-related function and thoroughly test the application.

Failure to follow these instructions can result in death, serious injury, or equipment damage.

Hazard and Risk Analysis

The standard IEC 61508 "Functional safety of electrical/electronic/programmable electronic safety-related systems" defines the safety-related aspects of systems. Instead of a single functional unit of a safety-related system, the standard treats all elements of a function chain as a unit. These elements must meet the requirements of the specific safety integrity level as a whole.

The standard IEC 61800-5-2 "Adjustable speed electrical power drive systems – Safety requirements – Functional" is a product standard that defines the safety-related requirements regarding drives. Among other things, this standard defines the safety-related functions for drives.

Based on the system configuration and utilization, a hazard and risk analysis must be carried out for the system (for example, according to EN ISO 12100 or EN ISO 13849-1). The results of this analysis must be considered when designing the machine, and subsequently applying safety-related equipment and safety-related functions. The results of your analysis may deviate from any application examples contained in the present or related documentation. For example, additional safety components may be required. In principle, the results from the hazard and risk analysis have priority.

WARNING

UNINTENDED EQUIPMENT OPERATION

- Perform a hazard and risk analysis to determine the appropriate safety integrity level, and any other safety requirements, for your specific application based on all the applicable standards.
- Ensure that the hazard and risk analysis is conducted and respected according to EN/ISO 12100 during the design of your machine.

Failure to follow these instructions can result in death, serious injury, or equipment damage.

The EN ISO 13849-1 Safety of machinery - Safety-related parts of control systems - Part 1: General Principles for Design describes an iterative process for the selection and design of safety-related parts of controllers to reduce the risk to the machine to a reasonable degree.

To perform risk assessment and risk minimization according to EN ISO 12100, proceed as follows:

1. Defining the boundary of the machine.
2. Identifying risks associated with the machine.
3. Assessing risks.
4. Evaluating risks.
5. Minimizing risks by:

- Intrinsically safe design
- Protective devices
- User information (see EN ISO 12100)

6. Designing safety-related controller parts (SRP/CS, Safety-Related Parts of the Control System) in an interactive process.

To design the safety-related controller parts in an interactive process, proceed as follows:

Step	Action
1	Identify necessary safety functions that are executed via SRP/CS (Safety-Related Parts of the Control System).
2	Determine required properties for each safety function.
3	Determine the required performance level PL_r .
4	Identify safety-related parts executing the safety function.
5	Determine the performance level PL of the afore-mentioned safety-related parts.
6	Verify the performance level PL for the safety function ($PL \geq PL_r$).
7	Verify if all requirements have been met (validation).

Additional information is available on <https://www.se.com>.

Safety Integrity Level (SIL)

The standard IEC 61508 defines 4 safety integrity levels (Safety Integrity Level (SIL)). Safety integrity level SIL1 is the lowest level, safety integrity level SIL4 is the highest level. The safety integrity level required for a given application is determined on the basis of the hazard potential resulting from the hazard and risk analysis. This is used to decide whether the relevant function chain is to be considered as a safety-related function chain and which hazard potential it must cover.

Average Frequency of a Dangerous Failure per Hour (PFH)

To maintain the function of the safety-related system, the IEC 61508 standard requires various levels of measures for avoiding and controlling faults, depending on the required safety integrity level (Safety Integrity Level (SIL)). All components must be subjected to a probability assessment to evaluate the effectiveness of the measures implemented for controlling faults. This assessment determines the probability of a dangerous failure per hour PFH (Average Frequency of a Dangerous Failure per Hour (PFH)) for a safety-related system. This is the frequency per hour with which a safety-related system fails in a hazardous manner so that it can no longer perform its function correctly. Depending on the SIL, the average frequency of a dangerous failure per hour must not exceed certain values for the entire safety-related system. The individual PFH values of a function chain are added. The result must not exceed the maximum value specified in the standard.

SIL	PFH at high demand or continuous demand
4	$\geq 10^{-9} \dots < 10^{-8}$
3	$\geq 10^{-8} \dots < 10^{-7}$
2	$\geq 10^{-7} \dots < 10^{-6}$
1	$\geq 10^{-6} \dots < 10^{-5}$

Hardware Fault Tolerance (HFT) and Safe Failure Fraction (SFF)

Depending on the safety integrity level (Safety Integrity Level (SIL)) for the safety-related system, the IEC 61508 standard requires a specific hardware fault tolerance (Hardware Fault Tolerance (HFT)) in connection with a specific safe failure fraction (Safe Failure Fraction (SFF)). The hardware fault tolerance is the ability of a safety-related system to execute the required function even if one or more hardware faults are present. The safe failure fraction of a safety-related system is defined as the ratio of the rate of safe failures to the total failure rate of the safety-related system. As per IEC 61508, the maximum achievable safety integrity level of a safety-related system is partly determined by the hardware fault tolerance and the safe failure fraction of the safety-related system.

IEC 61800-5-2 distinguishes two types of subsystems (type A subsystem, type B subsystem). These types are specified on the basis of criteria which the standard defines for the safety-related components.

SFF	HFT type A subsystem			HFT type B subsystem		
	0	1	2	0	1	2
<60 %	SIL1	SIL2	SIL3	---	SIL1	SIL2
60 ... <90 %	SIL2	SIL3	SIL4	SIL1	SIL2	SIL3
90 ... <99 %	SIL3	SIL4	SIL4	SIL2	SIL3	SIL4
≥99 %	SIL3	SIL4	SIL4	SIL3	SIL4	SIL4

Fault Avoidance Measures

Systematic errors in the specifications, in the hardware and the software, incorrect usage and maintenance of the safety-related system must be avoided to the maximum degree possible. To meet these requirements, IEC 61508 specifies a number of measures for fault avoidance that must be implemented depending on the required safety integrity level (Safety Integrity Level (SIL)). These measures for fault avoidance must cover the entire life cycle of the safety-related system, i.e. from design to decommissioning of the system.

Data for Maintenance Plan and the Calculations for Functional Safety

The safety function must be tested at regular intervals. The interval depends on the hazard and risk analysis of the total system. The minimum interval is 1 year (high demand mode as per IEC 61508).

Use the following data of the safety function STO for your maintenance plan and for the calculations for functional safety:

Lifetime of the safety function STO (IEC 61508) ⁽¹⁾	Years	20
SFF (IEC 61508) Safe Failure Fraction	%	90
HFT (IEC 61508) Hardware Fault Tolerance Type A subsystem		1
Safety integrity level IEC 61508 IEC 62061		SIL3 SILCL3
PFH (IEC 61508) Probability of Dangerous Hardware Failure per Hour	1/h (FIT)	1*10 ⁻⁹ (1)
PL (ISO 13849-1) Performance Level		e (category 3)
MTTF _d (ISO 13849-1) Mean Time to Dangerous Failure	Years	>100
DC (ISO 13849-1) Diagnostic Coverage	%	90
(1) See chapter Lifetime Safety Function STO (<i>see page 637</i>).		

Contact your local Schneider Electric representative for additional data, if required.

The data for the safety module eSM can be found in the product manual for the safety module.

Definitions


Integrated Safety-Related Function "Safe Torque Off" STO

The integrated safety-related function STO (IEC 61800-5-2) allows for a category 0 stop as per IEC 60204-1 without external power contactors. It is not necessary to interrupt the supply voltage for a category 0 stop. This reduces the system costs and the response times.

Category 0 Stop (IEC 60204-1)

In stop category 0 (Safe Torque Off, STO), the drive coasts to a stop (provided there are no external forces operating to the contrary). The safety-related function STO is intended to help prevent an unintended start-up, not stop a motor, and therefore corresponds to an unassisted stop in accordance with IEC 60204-1.

In circumstances where external influences are present, the coast down time depends on physical properties of the components used (such as weight, torque, friction, etc.), and additional measures such as external safety-related brakes may be necessary to help prevent any hazard from materializing. That is to say, if this means a hazard to your personnel or equipment, you must take appropriate measures.

 WARNING
UNINTENDED EQUIPMENT OPERATION
<ul style="list-style-type: none">● Make certain that no hazards can arise for persons or material during the coast down period of the axis/machine.● Do not enter the zone of operation during the coast down period.● Ensure that no other persons can access the zone of operation during the coast down period.● Use appropriate safety interlocks where personnel and/or equipment hazards exist.
Failure to follow these instructions can result in death, serious injury, or equipment damage.

Category 1 Stop (IEC 60204-1)

For stops of category 1 (Safe Stop 1, SS1), you can initiate a controlled stop via the control system, or through the use of specific functional safety-related devices. A Category 1 Stop is a controlled stop with power available to the machine actuators to achieve the stop.

The controlled stop by the control/safety-related system is not safety-relevant, nor monitored, and does not perform as defined in the case of a power outage or if an error is detected. This has to be implemented by means of an external safety-related switching device with safety-related delay.

Function

General

The safety-related function STO integrated into the product can be used to implement an "EMERGENCY STOP" (IEC 60204-1) for category 0 stops. With an additional, approved EMERGENCY STOP safety relay module, it is also possible to implement category 1 stops.

Function Principle

The safety-related function STO is triggered via two redundant signal inputs. The wiring of the two signal inputs must be separate.


The safety-related function STO is triggered if the level at one of the two signal inputs is 0. The power stage is disabled. The motor can no longer generate torque and coasts down without braking. An error of error class 3 is detected.

If, within one second, the level of the other output also becomes 0, the error class remains 3. If, within one second, the level of the other output does not become 0, the error class changes to 4.


Requirements for Using the Safety-Related Function STO

General

The safety-related function STO (Safe Torque Off) does not remove power from the DC bus. The safety-related function STO only removes power to the motor. The DC bus voltage and the mains voltage to the drive are still present.

 DANGER
ELECTRIC SHOCK
<ul style="list-style-type: none">• Do not use the safety-related function STO for any other purposes than its intended function.• Use an appropriate switch, that is not part of the circuit of the safety-related function STO, to disconnect the drive from the mains power.
Failure to follow these instructions will result in death or serious injury.

After the safety-related function STO is triggered, the motor can no longer generate torque and coasts down without braking.


 WARNING
UNINTENDED EQUIPMENT OPERATION
Install a dedicated, external safety-related brake if coasting does not meet the deceleration requirements of your application.
Failure to follow these instructions can result in death, serious injury, or equipment damage.

Logic Type

The inputs for the safety-related function STO (inputs `STO_A` and `STO_B`) can only be wired for positive logic.

Holding Brake and Safety-Related Function STO

When the safety-related function STO is triggered, the power stage is immediately disabled. Applying the holding brake requires a certain amount of time. In the case of vertical axes or external forces acting on the load, you may have to take additional measures to bring the load to a standstill and to keep it at a standstill when the safety-related function STO is used, for example, by using a service brake.

 WARNING
FALLING LOAD
Ensure that all loads come to a secure standstill when the safety-related function STO is used.
Failure to follow these instructions can result in death, serious injury, or equipment damage.

If the suspension of hanging / pulling loads is a safety objective for the machine, then you can only achieve this objective by using an appropriate external brake as a safety-related measure.

 WARNING
UNINTENDED AXIS MOVEMENT
<ul style="list-style-type: none">• Do not use the internal holding brake as a safety-related measure.• Only use certified external brakes as safety-related measures.
Failure to follow these instructions can result in death, serious injury, or equipment damage.

NOTE: The drive does not provide its own safety-related output to connect an external brake to use as a safety-related measure.

Unintended Restart

⚠ WARNING
<p>UNINTENDED EQUIPMENT OPERATION</p> <ul style="list-style-type: none"> • Verify that your risk assessment covers all potential effects of automatic or unintended enabling of the power stage, for example, after power outage. • Implement all measures such as control functions, guards, or other safety-related functions, required to reliably protect against all hazards that may result from automatic or unintended enabling of the power stage. • Verify that a master controller cannot enable the power stage in an unintended way. <p>Failure to follow these instructions can result in death, serious injury, or equipment damage.</p>

⚠ WARNING
<p>UNINTENDED EQUIPMENT OPERATION</p> <p>Set the parameter <code>IO_AutoEnable</code> to "off" if the automatic enabling of the power stage presents hazards in your application.</p> <p>Failure to follow these instructions can result in death, serious injury, or equipment damage.</p>

Degree of Protection when the Safety-Related Function STO is Used

You must ensure that conductive substances cannot get into the product (pollution degree 2). Moreover, conductive substances may cause the safety-related function to become inoperative.

⚠ WARNING
<p>INOPERABLE SAFETY-RELATED FUNCTION</p> <p>Ensure that conductive substances (water, contaminated or impregnated oils, metal shavings, etc.) cannot get into the drive.</p> <p>Failure to follow these instructions can result in death, serious injury, or equipment damage.</p>

Protected Cable Installation

If short circuits and other wiring errors such as a cross circuit between the signals of the safety-related function STO can be expected in connection with safety-related signals, and if these short circuits and cross circuits are not detected by upstream devices, protected cable installation as per ISO 13849-2 is required.

In the case of an unprotected cable installation, the two signals (both channels) of a safety-related function may be connected to external voltage if a cable is damaged. If the two channels are connected to external voltage, the safety-related function is no longer operative.

ISO 13849-2 describes protected cable installation for cables for safety-related signals. The cables for the safety-related function STO must be protected against external voltage. A shield with ground connection helps to keep external voltage away from the cables for the signals of the safety-related function STO.

Ground loops can cause problems in machines. A shield connected at one end only is sufficient for grounding and does not create a ground loop.

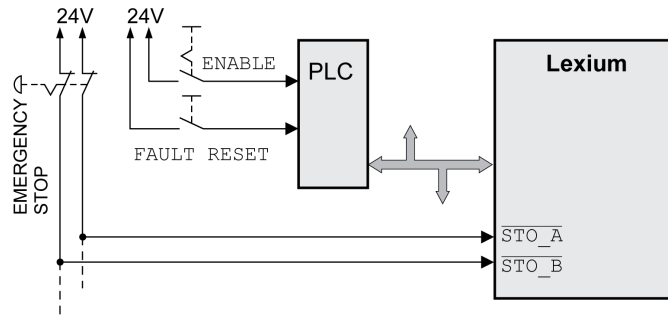
- Use shielded cables for the signals of the safety-related function STO.
- Do not use the cable for the signals of the safety-related function STO for other signals.
- Connect one end of the shield.

Application Examples STO

Example of Category 0 stop

Use without EMERGENCY STOP safety relay module, category 0 stop.

Example of category 0 stop:



In this example, when an EMERGENCY STOP is activated, it leads to a category 0 stop.

The safety-related function STO is triggered via a simultaneous 0-level at both inputs (time offset of less than 1 s). The power stage is disabled and an error of error class 3 is detected. The motor can no longer generate torque.

If the motor is not already at a standstill when the safety-related function STO is triggered, it decelerates under the salient physical forces (gravity, friction, etc.) active at the time until presumably coasting to a standstill.

If coasting of the motor and its potential load is unsatisfactory as determined by your risk assessment, an external safety-related brake may also be required.

⚠ WARNING

UNINTENDED EQUIPMENT OPERATION

Install a dedicated, external safety-related brake if coasting does not meet the deceleration requirements of your application.

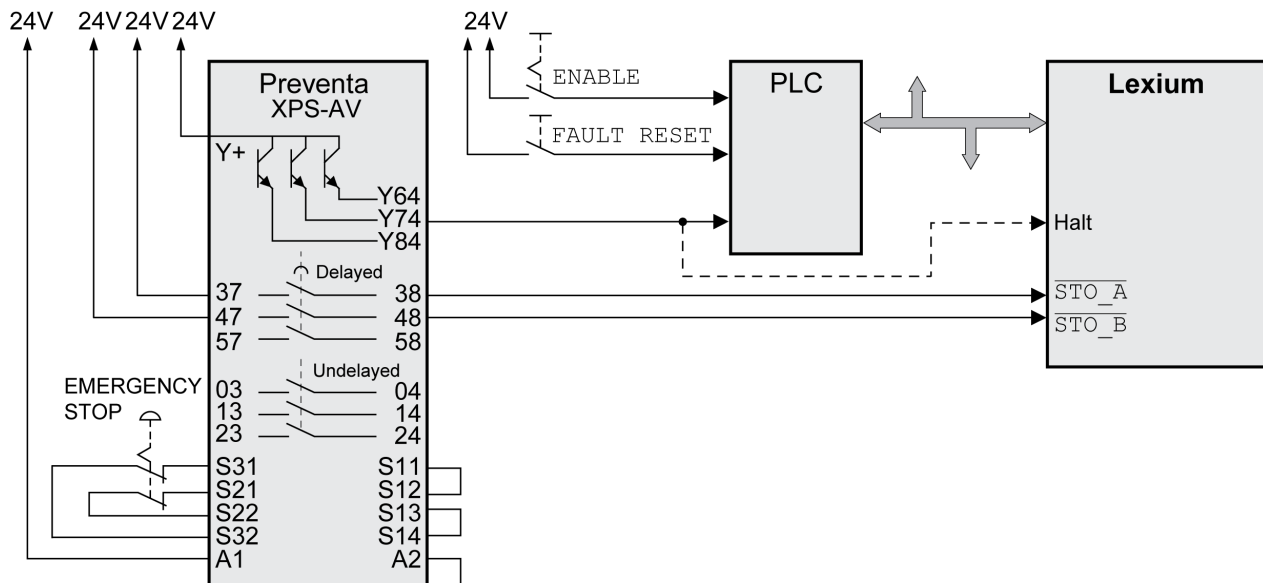
Failure to follow these instructions can result in death, serious injury, or equipment damage.

Refer to the chapter Holding Brake and Safety-Related Function STO ([see page 92](#)).

Example of Category 1 stop

Use with EMERGENCY STOP safety relay module, category 1 stop.

Example of category 1 stop with external Preventa XPS-AV EMERGENCY STOP safety relay module:



In this example, when an EMERGENCY STOP is activated, it leads to a category 1 stop.

The EMERGENCY STOP safety relay module requests an immediate stop (undelayed) of the drive. After the time delay set in the EMERGENCY STOP safety relay module has elapsed, the EMERGENCY STOP safety relay triggers the safety-related function STO.

The safety-related function STO is triggered via a simultaneous 0-level at both inputs (time offset of less than 1 s). The power stage is disabled and an error of error class 3 is detected. The motor can no longer generate torque.

If coasting of the motor and its potential load is unsatisfactory as determined by your risk assessment, an external safety-related brake may also be required.

⚠ WARNING

UNINTENDED EQUIPMENT OPERATION

Install a dedicated, external safety-related brake if coasting does not meet the deceleration requirements of your application.

Failure to follow these instructions can result in death, serious injury, or equipment damage.

Refer to the chapter Holding Brake and Safety-Related Function STO ([see page 92](#)).

Chapter 4

Installation

What Is in This Chapter?

This chapter contains the following sections:

Section	Topic	Page
4.1	Mechanical Installation	98
4.2	Electrical Installation	106
4.3	Verifying Installation	135

Section 4.1

Mechanical Installation

What Is in This Section?

This section contains the following topics:

Topic	Page
Before Mounting	99
Installing and removing modules	101
Mounting the Drive	104

Before Mounting

An engineering phase is mandatory prior to mechanical and electrical installation. See chapter Engineering (*see page 59*) for basic information.

DANGER

ELECTRIC SHOCK CAUSED BY INSUFFICIENT GROUNDING

- Verify compliance with all local and national electrical code requirements as well as all other applicable regulations with respect to grounding of the entire drive system.
- Ground the drive system before applying voltage.
- Do not use conduits as protective ground conductors; use a protective ground conductor inside the conduit.
- The cross section of the protective ground conductor must comply with the applicable standards.
- Do not consider cable shields to be protective ground conductors.

Failure to follow these instructions will result in death or serious injury.

DANGER

ELECTRIC SHOCK OR UNINTENDED EQUIPMENT OPERATION

- Keep foreign objects from getting into the product.
- Verify the correct seating of seals and cable entries in order to avoid contamination such as deposits and humidity.

Failure to follow these instructions will result in death or serious injury.

WARNING

LOSS OF CONTROL

- The designer of any control scheme must consider the potential failure modes of control paths and, for certain critical control functions, provide a means to achieve a safe state during and after a path failure. Examples of critical control functions are emergency stop and overtravel stop, power outage and restart.
- Separate or redundant control paths must be provided for critical control functions.
- System control paths may include communication links. Consideration must be given to the implications of unanticipated transmission delays or failures of the link.
- Observe all accident prevention regulations and local safety guidelines.¹
- Each implementation of this equipment must be individually and thoroughly tested for proper operation before being placed into service.

Failure to follow these instructions can result in death, serious injury, or equipment damage.

¹ For additional information, refer to NEMA ICS 1.1 (latest edition), “Safety Guidelines for the Application, Installation, and Maintenance of Solid State Control” and to NEMA ICS 7.1 (latest edition), “Safety Standards for Construction and Guide for Selection, Installation and Operation of Adjustable-Speed Drive Systems” or their equivalent governing your particular location.

Conductive foreign objects, dust or liquids may cause safety-related functions to become inoperative.

WARNING

LOSS OF SAFETY-RELATED FUNCTION CAUSED BY FOREIGN OBJECTS

Protect the system against contamination by conductive substances.

Failure to follow these instructions can result in death, serious injury, or equipment damage.

The metal surfaces of the product may exceed 70 °C (158 °F) during operation.

⚠ CAUTION

HOT SURFACES

- Avoid unprotected contact with hot surfaces.
- Do not allow flammable or heat-sensitive parts in the immediate vicinity of hot surfaces.
- Verify that the heat dissipation is sufficient by performing a test run under maximum load conditions.

Failure to follow these instructions can result in injury or equipment damage.

⚠ CAUTION

INOPERABLE EQUIPMENT DUE TO INCORRECT MAINS VOLTAGE CONNECTION

- Verify that you use the correct mains voltage; install a transformer, if necessary.
- Do not connect mains voltage to the output terminals (U, V, W).

Failure to follow these instructions can result in injury or equipment damage.

Inspecting the Product

- Verify the product version by means of the Type Code (*see page 23*) on the Nameplate (*see page 22*).
- Prior to mounting, inspect the product for visible damage.

Damaged products may cause electric shock or unintended equipment operation.

⚡ ⚠ DANGER

ELECTRIC SHOCK OR UNINTENDED EQUIPMENT OPERATION

- Do not use damaged products.
- Keep foreign objects (such as chips, screws or wire clippings) from getting into the product.

Failure to follow these instructions will result in death or serious injury.

Contact your local Schneider Electric representative if you detect any damage whatsoever to the products. For information concerning the mounting of the motor, see the individual user guide for your particular motor.

Installing and removing modules

Overview

Many components of the equipment, including the printed circuit board, operate with mains voltage, or present transformed high currents, and/or high voltages.

The motor itself generates voltage when the motor shaft is rotated.

⚠ DANGER

ELECTRIC SHOCK, EXPLOSION, OR ARC FLASH

- Disconnect all power from all equipment including connected devices prior to removing any covers or doors, or installing or removing any accessories, hardware, cables, or wires.
- Place a "Do Not Turn On" or equivalent hazard label on all power switches and lock them in the non-energized position.
- Wait 15 minutes to allow the residual energy of the DC bus capacitors to discharge.
- Measure the voltage on the DC bus with a properly rated voltage sensing device and verify that the voltage is less than 42.4 Vdc.
- Do not assume that the DC bus is voltage-free when the DC bus LED is off.
- Block the motor shaft to prevent rotation prior to performing any type of work on the drive system.
- Do not create a short-circuit across the DC bus terminals or the DC bus capacitors.
- Replace and secure all covers, accessories, hardware, cables, and wires and confirm that a proper ground connection exists before applying power to the unit.
- Use only the specified voltage when operating this equipment and any associated products.

Failure to follow these instructions will result in death or serious injury.

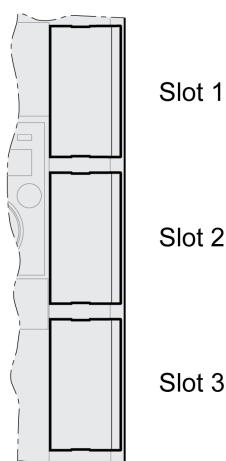
Electrostatic discharge (ESD) may permanently damage the module either immediately or over time.

NOTICE

EQUIPMENT DAMAGE DUE TO ESD

- Use suitable ESD measures (for example, ESD gloves) when handling the module.
- Do not touch internal components.

Failure to follow these instructions can result in equipment damage.



The drive has 3 module slots. The module slots are designed for the following modules:

Slot	Module
Slot 1	Safety module eSM I/O module IOM1 ⁽¹⁾
(1) With firmware version \geq V01.06 (2) With firmware version \leq V01.22 (3) With firmware version \geq V01.22	

Slot	Module
Slot 2	Encoder module RSR (resolver interface) Encoder module DIG (digital interface) Encoder module ANA (analog interface)
Slot 3	Fieldbus module CANopen and CANmotion (module identification CAN) Fieldbus module DeviceNet (module identification DNT) ⁽²⁾ Fieldbus module Profibus DP (module identification PDP) Fieldbus module PROFINET (module identification PNT) ⁽³⁾ Fieldbus module EtherNet/IP and Modbus-TCP (module identification ETH) Fieldbus module EtherCAT (module identification ECT)
(1) With firmware version \geq V01.06 (2) With firmware version \leq V01.22 (3) With firmware version \geq V01.22	

Inserting a Module Into a Slot

Disconnect all power (power stage supply and 24 Vdc control supply) before inserting or removing a module.

Procedure for inserting a module:

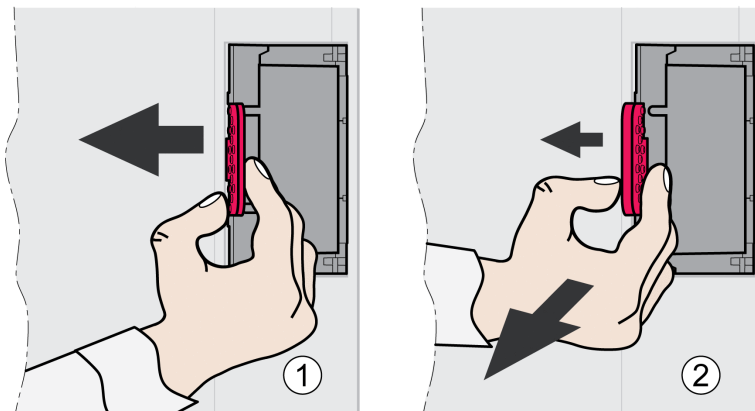
Step	Action
1	Fully read and understand the product manual as well as the manual for the module prior to installing the module.
2	Verify that the order number on the nameplate of the module corresponds to the specification in the manual for the module.
3	Note and record the serial number, revision and DOM shown on the nameplate of the module and the nameplate of the device.
4	Remove the cover from the module slot and keep the cover.
5	Inspect the module for visible damage. Do not install damaged modules.
6	Push the module into the appropriate slot until the snap-in lock snaps in.

Information on wiring can be found in the chapter "Installation" of the manual for the module.

- Fasten the connection cable to the cable guide of the device.

Various settings must be made the next time the device is powered on. See the chapter Commissioning of the manual for the module for details on these settings.

Removing a Module From a Slot



Disconnect all power (power stage supply and 24 Vdc control supply) before inserting or removing a module.

Procedure for removing a module from a slot of the device:

- Label the connection cables. Remove the wiring of the module.
- Push the snap-in lock of the module to the left (1) and pull out the module at the snap-in lock (2) while holding it to the left.
- Close the module slot with the cover.

The next time the device is powered on, it will signal a different hardware. See chapter Acknowledging a Module Replacement ([see page 419](#)) for additional information.

Mounting the Drive

Attaching a Hazard Label with Safety Instructions

Included in the packaging of the drive are adhesive hazard labels in German, French, Italian, Spanish and Chinese. The English version is affixed to the front of the drive by the factory. If the country to which your final machine or process is to be delivered is other than English speaking:

- Select the label suitable for the target country.
- Observe the safety regulations in the target country.
- Attach the label to the front of the drive so that it is clearly visible.

Control Cabinet

The control cabinet (enclosure) must have a sufficient size so that all devices and components can be permanently installed and wired in compliance with the EMC requirements.

The ventilation of the control cabinet must be sufficient to comply with the specified ambient conditions for the devices and components operated in the control cabinet.

Install and operate this equipment in a control cabinet rated for its intended environment and secured by a keyed or toolled locking mechanism.

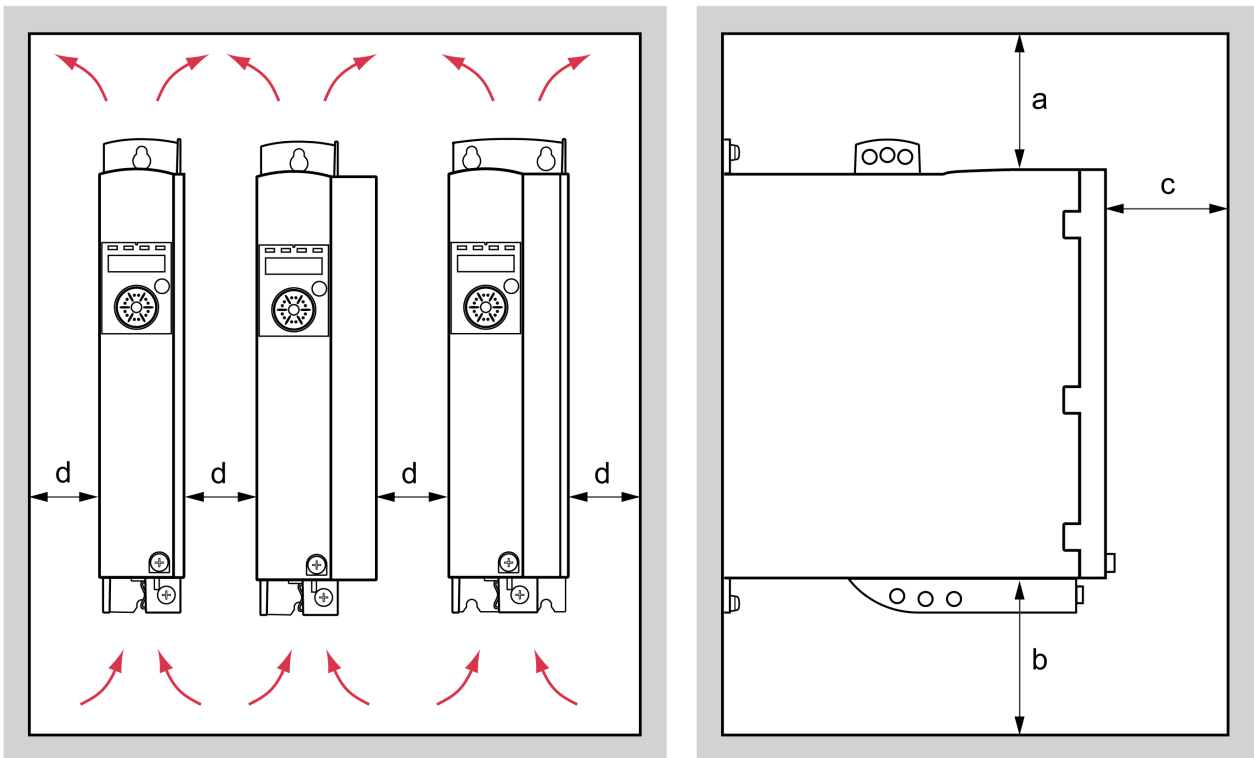
Mounting Distances, Ventilation

When selecting the position of the device in the control cabinet, note the following:

- Mount the device in a vertical position ($\pm 10^\circ$). This is required for cooling the device.
- Adhere to the minimum installation distances for required cooling. Avoid heat accumulations.
- Do not mount the device close to heat sources.
- Do not mount the device on or near flammable materials.
- The heated airflow from other devices and components must not heat up the air used for cooling the device.
- If the thermal limits are exceeded during operation, the power stage of the drive is disabled (overtemperature).

The connection cables of the devices are routed to the top and to the bottom. The minimum distances must be adhered to for air circulation and cable installation.

Mounting distances and air circulation



Free space a	mm (in)	≥100 (≥3.94)
Free space b	mm (in)	≥100 (≥3.94)
Free space c	mm (in)	≥60 (≥2.36)
Free space d	mm (in)	≥0 (≥0)

Mounting the Device

See chapter Dimensions (*see page 28*) for the dimensions of the mounting holes.

Painted surfaces may create electrical resistance or isolation. Before mounting the device to a painted mounting plate, remove all paint across a large area of the mounting points.

Section 4.2

Electrical Installation

What Is in This Section?

This section contains the following topics:

Topic	Page
Overview of Procedure	107
Connection Overview	108
Connection Grounding Screw	109
Connection Motor Phases and Holding Brake (CN10 and CN11)	111
Connection DC Bus (CN9, DC Bus)	116
Connection Braking Resistor (CN8, Braking Resistor)	117
Connection Power Stage Supply (CN1)	120
Connection Motor Encoder (CN3)	124
Connection PTO (CN4, Pulse Train Out)	126
Connection PTI (CN5, Pulse Train In)	127
Connection 24 Vdc Control Supply and STO (CN2, DC Supply and STO)	130
Connection Digital Inputs and Outputs (CN6)	132
Connection PC with Commissioning Software (CN7)	134

Overview of Procedure

DANGER

ELECTRIC SHOCK OR UNINTENDED EQUIPMENT OPERATION

- Keep foreign objects from getting into the product.
- Verify the correct seating of seals and cable entries in order to avoid contamination such as deposits and humidity.

Failure to follow these instructions will result in death or serious injury.

DANGER

ELECTRIC SHOCK CAUSED BY INSUFFICIENT GROUNDING

- Verify compliance with all local and national electrical code requirements as well as all other applicable regulations with respect to grounding of the entire drive system.
- Ground the drive system before applying voltage.
- Do not use conduits as protective ground conductors; use a protective ground conductor inside the conduit.
- The cross section of the protective ground conductor must comply with the applicable standards.
- Do not consider cable shields to be protective ground conductors.

Failure to follow these instructions will result in death or serious injury.

Direct current can be introduced in the protective ground conductor of this drive. If a residual current device (RCD / GFCI) or a residual current monitor (RCM) is used for protection against direct or indirect contact, the following specific types must be used:

WARNING

DIRECT CURRENT CAN BE INTRODUCED INTO THE PROTECTIVE GROUND CONDUCTOR

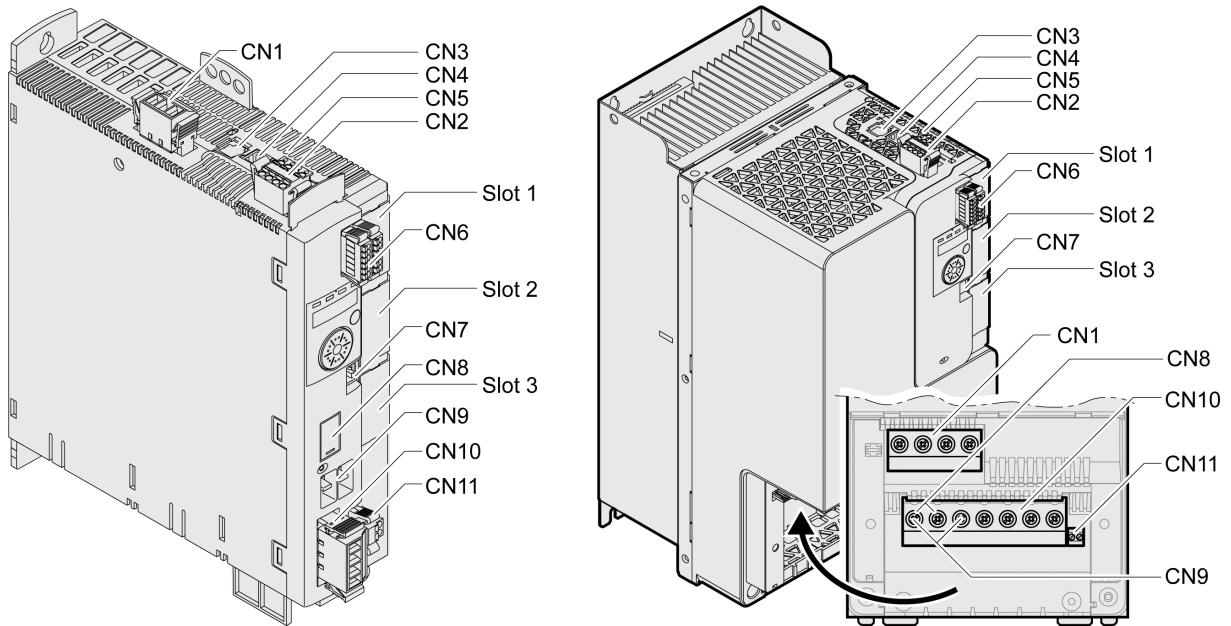
- Use a Type A Residual Current Device (RCD / GFCI) or a Residual Current Monitor (RCM) for single-phase drives connected to a phase and to the neutral conductor.
- Use a Type B Residual Current Device (RCD / GFCI) or a Residual Current Monitor (RCM) that has approval for use with frequency inverters and is sensitive to all types of current for three-phase devices and for single-phase devices not connected to a phase and the neutral conductor.

Failure to follow these instructions can result in death, serious injury, or equipment damage.

The entire installation procedure must be performed without voltage present.

Connection Overview

Description




Connection	Assignment
CN1	Power stage supply
CN2	24 Vdc control supply and safety function STO
CN3	Motor encoder (encoder 1)
CN4	PTO (encoder simulation ESIM)
CN5	PTI (A/B signals, P/D signals, CW/CCW signals)
CN6	Digital inputs/outputs
CN7	Modbus (commissioning interface)
CN8	External braking resistor
CN9	DC bus connection for parallel operation
CN10	Motor phases
CN11	Holding brake
Slot 1	Safety module or I/O module
Slot 2	Encoder module (encoder 2)
Slot 3	Fieldbus module

Connection Grounding Screw

Description

This product has a leakage current greater than 3.5 mA. If the protective ground connection is interrupted, a hazardous touch current may flow if the housing is touched.


DANGER

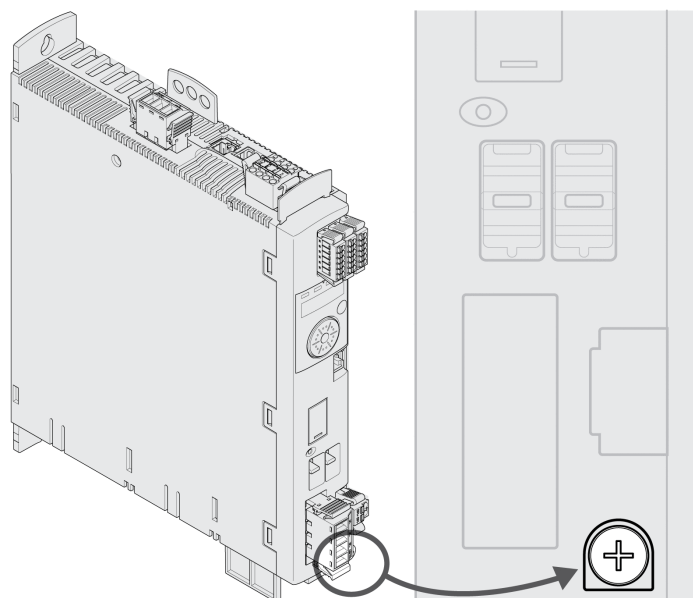
INSUFFICIENT GROUNDING

- Use a protective ground conductor with at least 10 mm² (AWG 6) or two protective ground conductors with the cross section of the conductors supplying the power terminals.
- Verify compliance with all local and national electrical code requirements as well as all other applicable regulations with respect to grounding of all equipment.
- Ground the drive system before applying voltage.
- Do not use conduits as protective ground conductors; use a protective ground conductor inside the conduit.
- Do not use cable shields as protective ground conductors.

Failure to follow these instructions will result in death or serious injury.

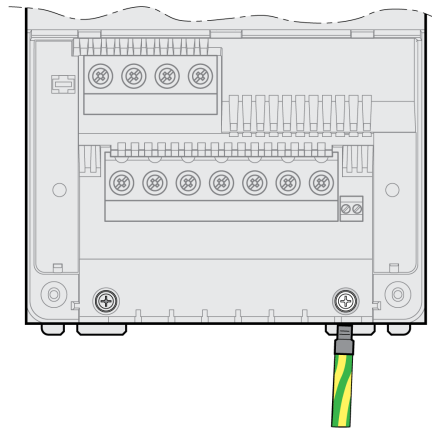
The central grounding screw of the product is located at the bottom of the front side.

The figure below shows the device versions LXM32MU45 ... LXM32MD72.



The figure below shows the device versions LXM32MD85 and LXM32MC10.

- Open the housing by removing the terminal cover.
- Remove the cable guide.



- Connect the ground connection of the device to the central grounding point of the system.

Characteristic	Unit	Value	
		LXM32-U45, LXM32-U60, LXM32-U90, LXM32-D12, LXM32-D18, LXM32-D30, LXM32-D72	LXM32-D85, LXM32-C10
Tightening torque of grounding screw	Nm (lb.in)	3.5 (31)	3 (27)



Connection Motor Phases and Holding Brake (CN10 and CN11)

General



The motor is designed for operation via a drive. Connecting the motor directly to AC voltage will damage the motor and can cause fires and initiate an explosion.

 DANGER	
POTENTIAL FOR EXPLOSION	
Only connect the motor to a matching, approved drive in the way described in the present documentation.	
Failure to follow these instructions will result in death or serious injury.	


High voltages may be present at the motor connection. The motor itself generates voltage when the motor shaft is rotated. AC voltage can couple voltage to unused conductors in the motor cable.

  DANGER	
ELECTRIC SHOCK	
<ul style="list-style-type: none"> • Verify that no voltage is present prior to performing any type of work on the drive system. • Block the motor shaft to prevent rotation prior to performing any type of work on the drive system. • Insulate both ends of unused conductors of the motor cable. • Supplement the motor cable grounding conductor with an additional protective ground conductor to the motor housing if the protective ground conductor of the motor cable is insufficient. • Only touch the motor shaft or the mounted output components if all power has been disconnected. • Verify compliance with all local and national electrical code requirements as well as all other applicable regulations with respect to grounding of all equipment. 	
Failure to follow these instructions will result in death or serious injury.	

If third-party motors are used, insufficient isolation may allow hazardous voltages to enter the PELV circuit.

  DANGER	
ELECTRIC SHOCK CAUSED BY INSUFFICIENT ISOLATION	
<ul style="list-style-type: none"> • Verify protective separation between the temperature sensor and the motor phases. • Verify that the signals at the encoder connection meet the PELV requirements. • Verify protective separation between the brake voltage in the motor and the motor cable, and the motor phases. 	
Failure to follow these instructions will result in death or serious injury.	

Drive systems may perform unintended movements if unapproved combinations of drive and motor are used. Though the connectors for motor connection and encoder connection may match mechanically, this does not imply that the motor is approved for use.

 WARNING	
UNINTENDED MOVEMENT	
Only use approved combinations of drive and motor.	
Failure to follow these instructions can result in death, serious injury, or equipment damage.	

See chapter Approved Motors (*see page 32*) for additional information.

Route the cables from the motor and the encoder to the device (starting from the motor). Due to the pre-assembled connectors, this direction is often faster and easier.

Cable Specifications

Shield:	Required, both ends grounded
Twisted Pair:	-

PELV:	The wires for the holding brake must be PELV-compliant.
Cable composition:	3 wires for motor phases 2 wires for holding brake The conductors must have a sufficiently large cross section so that the fuse at the mains connection can trip if required.
Maximum cable length:	Depends on the required limit values for conducted interference, see chapter Electromagnetic Emission (see page 54).

Note the following information:

- You may only connect the original motor cable (with two wires for the holding brake).
- The wires for the holding brake must also be connected to the device at connection CN11 in the case of motors without holding brakes. At the motor end, connect the wires to the appropriate pins for the holding brake; the cable can then be used for motors with or without holding brake. If you do not connect the wires at the motor end, you must isolate each wire individually (inductive voltages).
- Observe the polarity of the holding brake voltage.
- The voltage for the holding brake depends on the 24 Vdc control supply (PELV). Observe the tolerance for the 24 Vdc control supply and the specified voltage for the holding brake, see chapter 24 Vdc Control Supply (see page 41).
- Use pre-assembled cables to reduce the risk of wiring errors, see chapter Accessories and Spare Parts (see page 613).

The optional holding brake of a motor is connected to connection CN11. The integrated holding brake controller releases the holding brake when the power stage is enabled. When the power stage is disabled, the holding brake is re-applied.

Properties of the Connection Terminals CN10

The terminals are approved for stranded conductors and solid conductors. Use wire cable ends (ferrules), if possible.

Characteristic	Unit	Value		
		LXM32-U45, LXM32-U60, LXM32-U90, LXM32-D12, LXM32-D18, LXM32-D30	LXM32-D72	LXM32-D85, LXM32-C10
Connection cross section	mm ² (AWG)	0.75 ... 5.3 (18 ... 10)	0.75 ... 10 (18 ... 8)	1.5 ... 25 (14 ... 4)
Tightening torque for terminal screws	Nm (lb.in)	0.68 (6.0)	1.81 (16.0)	3.8 (33.6)
Stripping length	mm (in)	6 ... 7 (0.24 ... 0.28)	8 ... 9 (0.31 ... 0.35)	18 (0.71)

Properties of the Connection Terminals CN11

The terminals are approved for stranded conductors and solid conductors. Use wire cable ends (ferrules), if possible.

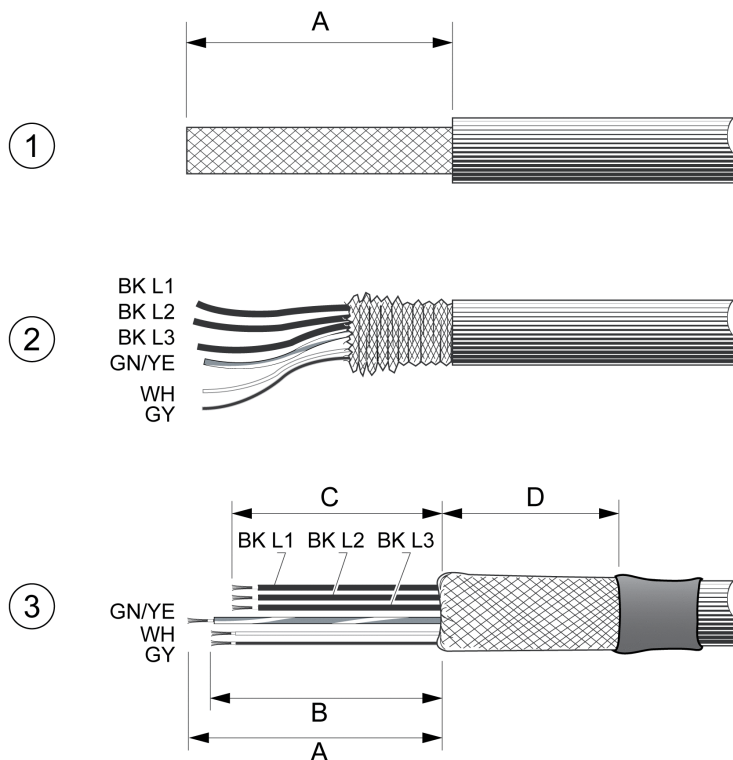
Characteristic	Unit	Value	
		LXM32-U45, LXM32-U60, LXM32-U90, LXM32-D12, LXM32-D18, LXM32-D30, LXM32-D72	LXM32-D85, LXM32-C10
Maximum terminal current	A	1.7	1.7
Connection cross section	mm ² (AWG)	0.75 ... 2.5 (18 ... 14)	0.75 ... 2.5 (18 ... 14)
Tightening torque for terminal screws	Nm (lb.in)	-	0.5 (4.4)

Characteristic	Unit	Value	
		LXM32•U45, LXM32•U60, LXM32•U90, LXM32•D12, LXM32•D18, LXM32•D30, LXM32•D72	LXM32•D85, LXM32•C10
Stripping length	mm (in)	12 ... 13 (0.47 ... 0.51)	8 (0.31)

Assembling Cables

Note the dimensions specified when assembling cables.

Steps for assembling the motor cable



- 1 Strip the cable jacket, length A.
- 2 Slide the shielding braid back over the cable jacket.
- 3 Secure the shielding braid with a heat shrink tube. The shield must have at least length D. Verify that a large surface area of the shielding braid is connected to the EMC shield clamp. Shorten the wires for the holding brake to length B and the three wires for the motor phases to length C. The protective ground conductor has length A. Connect the wires for the holding brake to the device even in the case of motors without a holding brake (inductive voltage).

Characteristic	Unit	Value	
		LXM32•U45, LXM32•U60, LXM32•U90, LXM32•D12, LXM32•D18, LXM32•D30, LXM32•D72	LXM32•D85, LXM32•C10
A	mm (in)	140 (5.51)	220 (8.66)
B	mm (in)	135 (5.32)	205 (8.07)
C	mm (in)	130 (5.12)	200 (7.87)
D	mm (in)	50 (1.97)	50 (1.97)

Observe the maximum permissible connection cross section. Take into account the fact that wire cable ends (ferrules) increase the conductor cross section.

Monitoring

The device monitors the motor phases for:

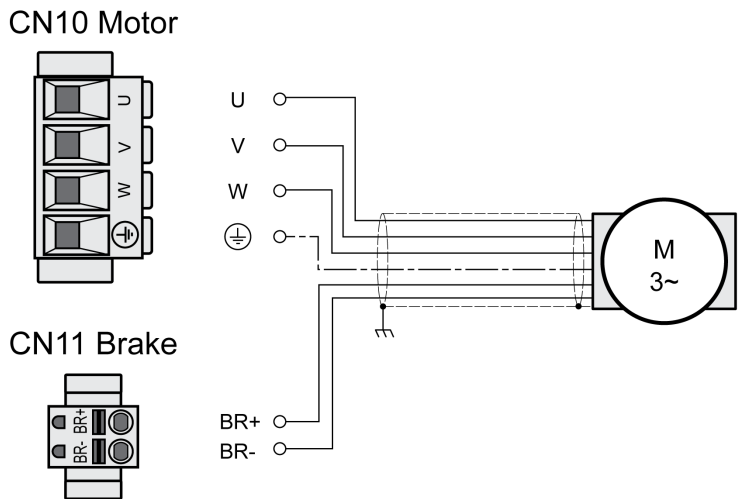
- Short circuit between the motor phases
- Short circuit between the motor phases and ground

Short circuits between the motor phases and the DC bus, the braking resistor or the holding brake wires are not detected.

Wiring Diagram Motor and Holding Brake

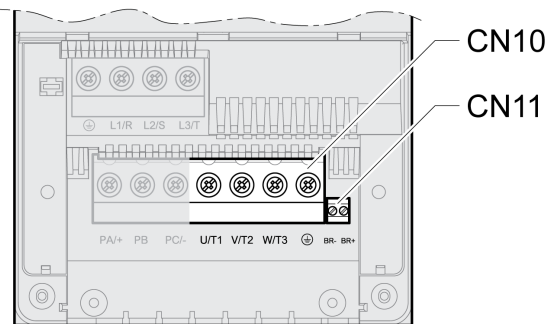
The figure below shows the device versions LXM32MU45 ... LXM32MD72.

Wiring diagram motor with holding brake



The figure below shows the device versions LXM32MD85 and LXM32MC10.

Wiring diagram motor with holding brake



Connection	Meaning	Color
U	Motor phase	Black L1 (BK)
V	Motor phase	Black L2 (BK)
W	Motor phase	Black L3 (BK)
PE	Protective ground conductor	Green/yellow (GN/YE)
BR+	Holding brake +	White (WH) or black 5 (BK)
BR-	Holding brake -	Gray (GR) or black 6 (BK)

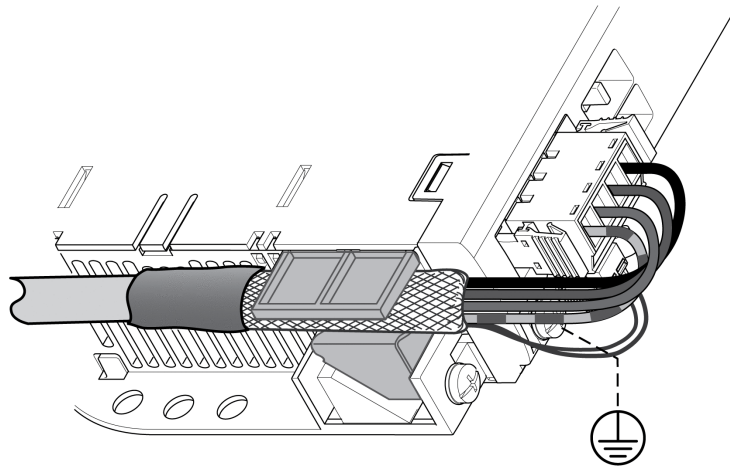
Connecting the Motor Cable

- Connect the motor phases and protective ground conductor to CN10. Verify that the connections U, V, W and PE (ground) match at the motor and the device.
- Note the tightening torque specified for the terminal screws.
- Connect the white wire or the black wire with the label 5 to connection BR+ of CN11. Connect the gray wire or the black wire with the label 6 to connection BR- of CN11.

For LXM32MU45 ... LXM32MD72:

- Verify that the connector locks snap in properly.
- Connect the cable shield to the shield clamp (large surface area contact).

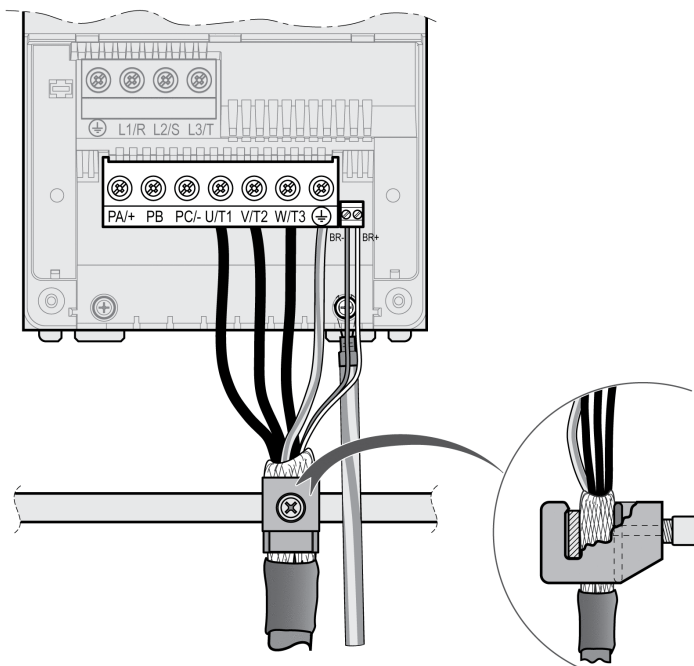
Shield clamp motor cable



For LXM32MD85 and LXM32MC10:

- Connect the cable shield with a shield clamp to an EMC rail (large surface area contact). Verify that the individual wires are in the individual guides.
- If you do not connect an external braking resistor, mount the cable guide.

Shield clamp motor cable



Connection DC Bus (CN9, DC Bus)

Incorrect use of the DC bus may permanently damage the drives either immediately or over time.

 WARNING
--

INOPERABLE SYSTEM COMPONENTS AND LOSS OF CONTROL

Verify that all requirements for using the DC bus are met.
--

Failure to follow these instructions can result in death, serious injury, or equipment damage.

This and other important information can be found in the "LXM32 - Common DC bus - Application note". If you wish to take advantage of DC bus sharing, you must first read the "LXM32 - Common DC bus - Application note".

Requirements for Use

The requirements and limit values for parallel connection via the DC bus can be found on <https://www.se.com> in the form of an application note. If there are any issues or questions related to obtaining the Common DC bus Application Note, consult your local Schneider-Electric representative.

Connection Braking Resistor (CN8, Braking Resistor)

General

An insufficiently rated braking resistor can cause overvoltage on the DC bus. Overvoltage on the DC bus causes the power stage to be disabled. The motor is no longer actively decelerated.

⚠ WARNING	
UNINTENDED EQUIPMENT OPERATION	
<ul style="list-style-type: none"> • Verify that the braking resistor has a sufficient rating by performing a test run under maximum load conditions. • Verify that the parameter settings for the braking resistor are correct. 	
Failure to follow these instructions can result in death, serious injury, or equipment damage.	

Internal Braking Resistor

A braking resistor is integrated in the device to absorb braking energy. The device is shipped with the internal braking resistor active.

External Braking Resistor

An external braking resistor is required for applications in which the motor must be decelerated quickly and the internal braking resistor cannot absorb the excess braking energy.

Selection and rating of the external braking resistor are described in chapter Rating the Braking Resistor (*see page 80*). For suitable braking resistors, see chapter Accessories and Spare Parts (*see page 613*).

Cable Specifications

Shield:	Required, both ends grounded
Twisted Pair:	-
PELV:	-
Cable composition:	Minimum conductor cross section: Same cross section as power stage supply, see chapter Connection Power Stage Supply (CN1) (<i>see page 120</i>). The conductors must have a sufficiently large cross section so that the fuse at the mains connection can trip if required.
Maximum cable length:	3 m (9.84 ft)

Properties of the Connection Terminals CN8

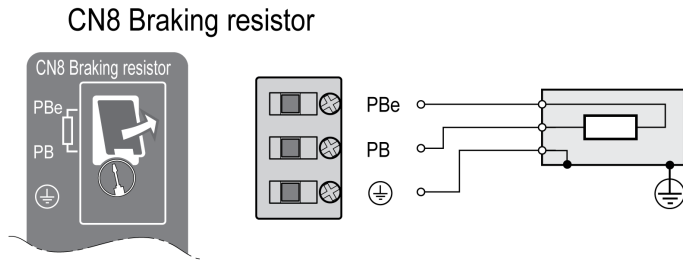
Characteristic	Unit	Value	
		LXM32-U45, LXM32-U60, LXM32-U90, LXM32-D12, LXM32-D18, LXM32-D30, LXM32-D72	LXM32-D85, LXM32-C10
Connection cross section	mm ² (AWG)	0.75 ... 3.3 (18 ... 12)	1.5 ... 25 (14 ... 4)
Tightening torque for terminal screws	Nm (lb.in)	0.51 (4.5)	3.8 (33.6)
Stripping length	mm (in)	10 ... 11 (0.39 ... 0.43)	18 (0.71)

The terminals are approved for fine-stranded conductors and solid conductors. Observe the maximum permissible connection cross section. Take into account the fact that wire cable ends (ferrules) increase the conductor cross section.

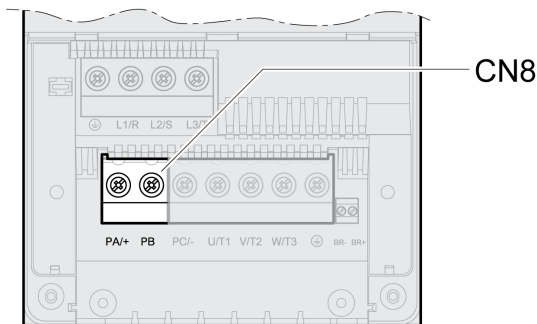
If you use wire cable ends (ferrules), use only wire cable ends (ferrules) with collars for these terminals.

Wiring Diagram

The figure below shows the device versions LXM32MU45 ... LXM32MD72.



The figure below shows the device versions LXM32MD85 and LXM32MC10.



Connecting the External Braking Resistor

- Power off all supply voltages. Observe the safety instructions concerning electrical installation.
- Verify that no voltages are present (safety instructions).

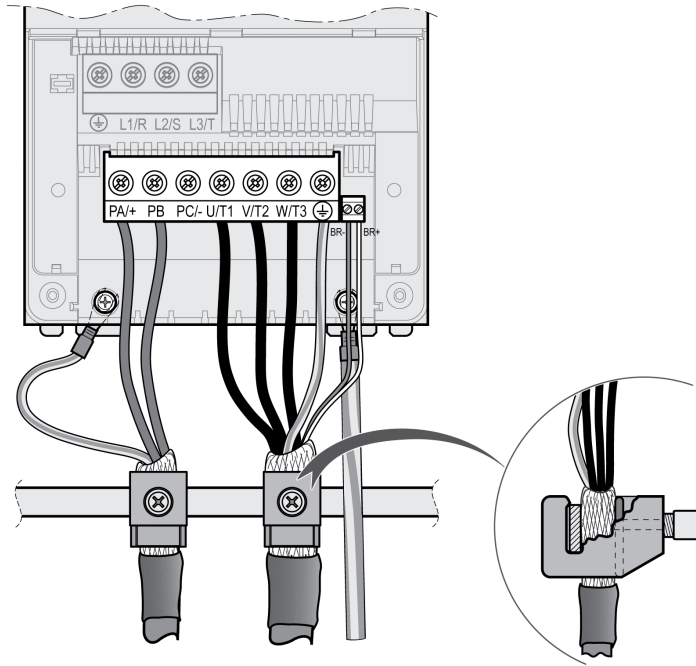
For LXM32MU45 ... LXM32MD72:

- Remove the cover from the connection.
- Ground the ground connection (PE) of the braking resistor.
- Connect the external braking resistor to the device. Note the tightening torque specified for the terminal screws.
- Connect the cable shield to the shield connection at the bottom of the device (large surface area contact).

For LXM32MD85 and LXM32MC10:

- Ground the ground connection (PE) of the braking resistor.
- Connect the external braking resistor to the device. Note the tightening torque specified for the terminal screws.
- Connect the cable shield with a shield clamp to an EMC rail (large surface area contact). Verify that the individual wires are in the individual guides.
- Mount the cable guide.

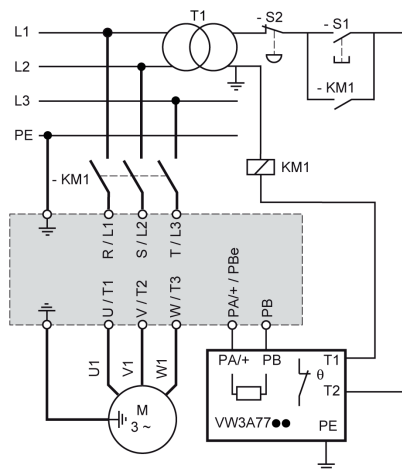
Shield clamp external braking resistor



The parameter `RESint_ext` is used to switch between the internal and an external braking resistor. See chapter [Setting the Braking Resistor Parameters](#) ([see page 175](#)) for the parameter settings for the braking resistor. Verify correct operation of the braking resistor during commissioning.

Wiring Example

The following graphic shows a functional principle:



Connection Power Stage Supply (CN1)

General

This product has a leakage current greater than 3.5 mA. If the protective ground connection is interrupted, a hazardous touch current may flow if the housing is touched.

⚡ ⚠ DANGER
INSUFFICIENT GROUNDING
<ul style="list-style-type: none"> • Use a protective ground conductor with at least 10 mm² (AWG 6) or two protective ground conductors with the cross section of the conductors supplying the power terminals. • Verify compliance with all local and national electrical code requirements as well as all other applicable regulations with respect to grounding of all equipment. • Ground the drive system before applying voltage. • Do not use conduits as protective ground conductors; use a protective ground conductor inside the conduit. • Do not use cable shields as protective ground conductors.
Failure to follow these instructions will result in death or serious injury.

⚠ WARNING
INSUFFICIENT PROTECTION AGAINST OVERCURRENT
<ul style="list-style-type: none"> • Use the external fuses specified in "Technical data". • Do not connect the product to a supply mains whose short-circuit current rating (SCCR) exceeds the value specified in the chapter "Technical Data".
Failure to follow these instructions can result in death, serious injury, or equipment damage.

⚠ WARNING
INCORRECT MAINS VOLTAGE
Verify that the product is approved for the mains voltage before applying power and configuring the product.
Failure to follow these instructions can result in death, serious injury, or equipment damage.

The products are intended for industrial use and may only be operated with a permanently installed connection.

Prior to connecting the device, verify the approved mains types, see chapter Power Stage Data - General (*see page 31*).

Cable Specifications

Shield:	-
Twisted Pair:	-
PELV:	-
Cable composition:	The conductors must have a sufficiently large cross section so that the fuse at the mains connection can trip if required.
Maximum cable length:	-

Properties of Connection Terminals CN1

Characteristic	Unit	Value		
		LXM32•U45, LXM32•U60, LXM32•U90, LXM32•D12, LXM32•D18, LXM32•D30	LXM32•D72	LXM32•D85, LXM32•C10
Connection cross section	mm ² (AWG)	0.75 ... 5.3 (18 ... 10)	0.75 ... 10 (18 ... 8)	1.5 ... 25 (14 ... 4)
Tightening torque for terminal screws	Nm (lb.in)	0.68 (6.0)	1.81 (16.0)	3.8 (33.6)
Stripping length	mm (in)	6 ... 7 (0.24 ... 0.28)	8 ... 9 (0.31 ... 0.35)	18 (0.71)

The terminals are approved for stranded conductors and solid conductors. Use wire cable ends (ferrules), if possible.

Prerequisites for Connecting the Power Stage Supply

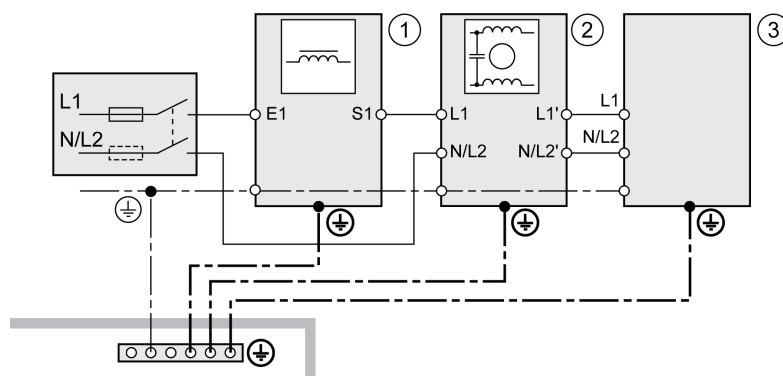
Note the following information:

- Three-phase devices may only be connected and operated via three phases.
- Use upstream mains fuses.
- If you use an external mains filter, the mains cable must be shielded and grounded at both ends if the length between the external mains filter and the device exceeds 200 mm (7.87 in).
- See page Conditions for UL 508C and CSA (*see page 58*) for a UL-compliant design.

Power Stage Supply Single-Phase Device

The illustration shows an overview for wiring the power stage supply for a single-phase device. The illustration also shows an external mains filter and a mains reactor which are available as accessories.

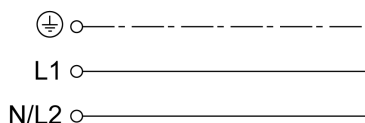
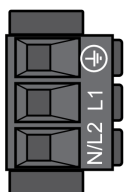
Overview power stage supply for single-phase device



- 1 Mains reactor (accessory)
- 2 External mains filter (accessory)
- 3 Drive

Wiring diagram power stage supply for single-phase device.

CN1 Mains 115/230 Vac

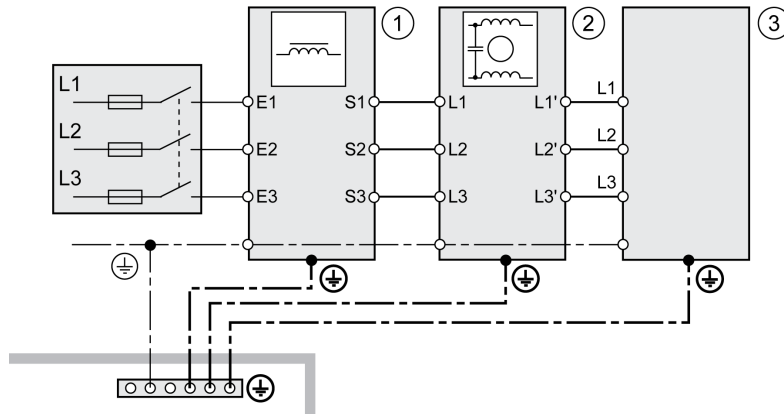


- Verify the type of mains. See chapter Power Stage Data - General (see page 31) for the approved types of mains.
- Connect the mains cable. Note the tightening torque specified for the terminal screws.
- Verify that the connector locks snap in properly.

Power Stage Supply Three-Phase Device

The illustration shows an overview for wiring the power stage supply for a three-phase device. The illustration also shows an external mains filter and a mains reactor which are available as accessories.

Wiring diagram, power stage supply for three-phase device.

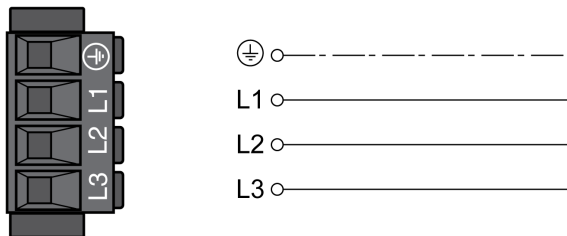


- 1 Mains reactor (accessory)
- 2 External mains filter (accessory)
- 3 Drive

The figure below shows the device versions LXM32MU45 ... LXM32MD72.

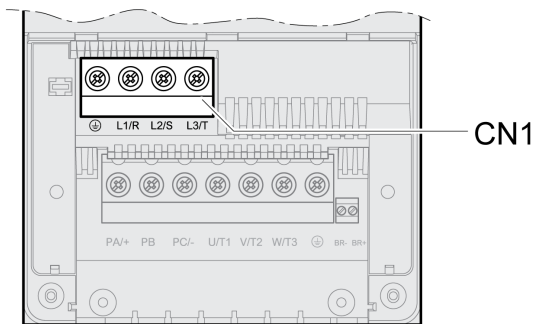
Wiring diagram power stage supply for three-phase device.

CN1 Mains 208/400/480 Vac



The figure below shows the device versions LXM32MD85 and LXM32MC10.

Wiring diagram power stage supply for three-phase device.



- Verify the type of mains. See chapter Power Stage Data - General (see page 31) for the approved types of mains.
- Connect the mains cable. Note the tightening torque specified for the terminal screws.

For LXM32MU45 ... LXM32MD72:

- Verify that the connector locks snap in properly.

For LXM32MD85 ... LXM32MC10:

- Close the housing by refitting the terminal cover.

Connection Motor Encoder (CN3)

Function and Encoder Type

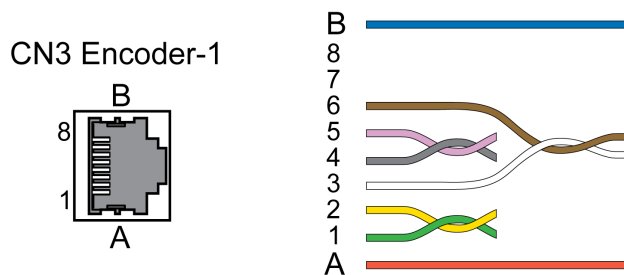
The motor encoder is a Hiperface encoder integrated in the motor. It provides the device with information on the motor position (analog and digital).

Cable Specifications

Shield:	Required, both ends grounded
Twisted Pair:	Required
PELV:	Required
Cable composition:	6 * 0.14 mm ² + 2 * 0.34 mm ² (6 * AWG 24 + 2 * AWG 20)
Maximum cable length:	100 m (328.08 ft)

Use pre-assembled cables to reduce the risk of wiring errors, see chapter Accessories and Spare Parts (see page 613).

Wiring Diagram



Pin	Signal	Motor, pin	Pair	Meaning	I/O
1	COS+	9	2	Cosine signal	I
2	REFCOS	5	2	Reference for cosine signal	I
3	SIN+	8	3	Sine signal	I
6	REFSIN	4	3	Reference for sine signal	I
4	Data	6	1	Receive data, transmit data	I/O
5	Data	7	1	Receive data and transmit data, inverted	I/O
7 ... 8	-		4	Reserved	
A	ENC+10V_OUT	10	5	Encoder supply	O
B	ENC_0V	11	5	Reference potential for encoder supply	
	SHLD			Shield	

⚠ WARNING

UNINTENDED EQUIPMENT OPERATION

Do not connect any wiring to reserved, unused connections, or to connections designated as No Connection (N.C.).

Failure to follow these instructions can result in death, serious injury, or equipment damage.

Connecting the Motor Encoder

- Verify that wiring, cables and connected interfaces meet the PELV requirements.
- Connect the connector to CN3 Encoder-1.
- Verify that the connector locks snap in properly.

Route the cables from the motor and the encoder to the device (starting from the motor). Due to the pre-assembled connectors, this direction is often faster and easier.

Connection PTO (CN4, Pulse Train Out)

5 V signals are available at the PTO (Pulse Train Out, CN4) output. Depending on parameter `PTO_mode`, these signals are ESIM signals (encoder simulation) or logically fed through PTI input signals (P/D signals, A/B signals, CW/CCW signals). The PTO output signals can be used as PTI input signals for another device. The signal level corresponds to RS422, see chapter Output PTO (CN4) (*see page 44*). The PTO output supplies 5 V signals, even if the PTI input signal is a 24 V signal.

Cable Specifications

Shield:	Required, both ends grounded
Twisted Pair:	Required
PELV:	Required
Cable composition:	8 * 0.14 mm ² (8 * AWG 24)
Maximum cable length:	100 m (328 ft)

Use pre-assembled cables to reduce the risk of wiring errors, see chapter Accessories and Spare Parts (*see page 613*).

Wiring Diagram

Wiring diagram Pulse Train Out (PTO)



Pin	Signal	Pair	Meaning
1	ESIM_A	2	ESIM channel A
2	ESIM_A	2	ESIM channel A, inverted
4	ESIM_B	1	ESIM channel B
5	ESIM_B	1	ESIM channel B, inverted
3	ESIM_I	3	ESIM index pulse
6	ESIM_I	3	ESIM index pulse, inverted
7		4	Reference potential
8		4	Reference potential

PTO: Logically Fed Through PTI Signals

At the PTO output, the PTI input signals can be made available again to control a subsequent device (daisy chain). Depending on the input signal, the output signal can be of type P/D signal, A/B signal or CW/CCW signal. The PTO output supplies 5 V signals.

Connecting PTO

- Connect the connector to CN4. Verify correct pin assignment.
- Verify that the connector locks snap in properly.

Connection PTI (CN5, Pulse Train In)

P/D (pulse/direction), A/B signals or CW/CCW signals can be connected to the PTI connection (Pulse Train In, CN5).

It is possible to connect 5 V signals or 24 V signals, see chapter Input PTI (CN5) ([see page 45](#)). Pin assignments and cables are different.

Incorrect or interfered signals as reference values can cause unintended movements.

WARNING

UNINTENDED MOVEMENT

- Use shielded twisted-pair cables.
- Do not use signals without push-pull in environments subject to interference.
- Use signals with push-pull in the case of cable lengths of more than 3 m (9.84 ft) and limit the frequency to 50 kHz.

Failure to follow these instructions can result in death, serious injury, or equipment damage.

Cable Specifications PTI

Shield:	Required, both ends grounded
Twisted Pair:	Required
PELV:	Required
Minimum conductor cross section:	0.14 mm ² (AWG 24)
Maximum cable length:	100 m (328 ft) with RS422 10 m (32.8 ft) with push-pull 1 m (3.28 ft) with open collector

Use pre-assembled cables to reduce the risk of wiring errors, see chapter Accessories and Spare Parts ([see page 613](#)).

Connection Assignment PTI 5 V

Wiring diagram Pulse Train In (PTI) 5 V



P/D signals 5 V

Pin	Signal	Pair	Meaning
1	PULSE (5)	2	Pulse 5V
2	PULSE	2	Pulse, inverted
4	DIR (5)	1	Direction 5V
5	DIR	1	Direction, inverted

A/B signals 5 V

Pin	Signal	Pair	Meaning
1	ENC_A (5)	2	Encoder channel A 5V
2	ENC_A	2	Encoder channel A, inverted
4	ENC_B (5)	1	Encoder channel B 5V
5	ENC_B	1	Encoder channel B, inverted

CW/CCW signals 5 V

Pin	Signal	Pair	Meaning
1	CW (5)	2	Pulse positive 5V
2	CW	2	Pulse positive, inverted
4	CCW (5)	1	Pulse negative 5V
5	CCW	1	Pulse negative, inverted

⚠ WARNING

UNINTENDED EQUIPMENT OPERATION

Do not connect any wiring to reserved, unused connections, or to connections designated as No Connection (N.C.).

Failure to follow these instructions can result in death, serious injury, or equipment damage.

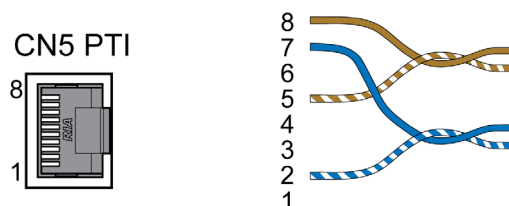
Connecting Pulse Train IN (PTI) 5 V

- Connect the connector to CN5. Verify correct pin assignment.
- Verify that the connector locks snap in properly.

Connection Assignment PTI 24 V

Note that the wire pairs for 24 V signals require assignments different from those for 5 V signals. Use a cable that complies with the cable specification. Assemble the cable as shown in the illustration below.

Wiring diagram Pulse Train In (PTI) 24 V.



P/D signals 24 V

Pin	Signal	Pair	Meaning
7	PULSE (24)	A	Pulse 24V
2	PULSE	A	Pulse, inverted
8	DIR (24)	B	Direction 24V
5	DIR	B	Direction, inverted

A/B signals 24 V

Pin	Signal	Pair	Meaning
7	ENC_A (24)	A	Encoder channel A 24V
2	ENC_A	A	Encoder channel A, inverted
8	ENC_B (24)	B	Encoder channel B 24V
5	ENC_B	B	Encoder channel B, inverted

CW/CCW signals 24 V

Pin	Signal	Pair	Meaning
7	CW (24)	A	Pulse positive 24V
2	CW	A	Pulse positive, inverted
8	CCW (24)	B	Pulse negative 24V
5	CCW	B	Pulse negative, inverted

⚠ WARNING

UNINTENDED EQUIPMENT OPERATION

Do not connect any wiring to reserved, unused connections, or to connections designated as No Connection (N.C.).

Failure to follow these instructions can result in death, serious injury, or equipment damage.

Connecting Pulse Train In (PTI) 24 V

- Connect the connector to CN5. Verify correct pin assignment.
- Verify that the connector locks snap in properly.

Connection 24 Vdc Control Supply and STO (CN2, DC Supply and STO)

The +24VDC supply voltage is connected with many exposed signal connections in the drive system.

⚠ WARNING
UNINTENDED EQUIPMENT OPERATION
<ul style="list-style-type: none"> • Use power supply units that meet the PELV (Protective Extra Low Voltage) requirements. • Connect the 0 Vdc outputs of all power supply units to FE (functional earth/functional ground), for example, for the VDC supply voltage and for the 24 Vdc voltage for the safety-related function STO. • Interconnect all 0 Vdc outputs (reference potentials) of all power supply units used for the drive.
Failure to follow these instructions can result in death, serious injury, or equipment damage.

The connection for the 24 Vdc control supply at the product does not have an inrush current limitation. If the voltage is applied by means of switching of contacts, damage to the contacts or contact welding may result.

NOTICE
PERMANENT DAMAGE TO CONTACTS
<ul style="list-style-type: none"> • Switch the power input (primary side) of the power supply unit. • Do not switch the output voltage (secondary side) of the power supply unit.
Failure to follow these instructions can result in equipment damage.

Safety Function STO

Information on the signals of the safety function STO can be found in chapter Safety function STO ("Safe Torque Off") (*see page 86*). If the safety function is not required, the inputs STO_A and STO_B must be connected to +24VDC.

Cable Specifications CN2

Shield:	_(1)
Twisted Pair:	-
PELV:	Required
Minimum conductor cross section:	0.75 mm ² (AWG 18)
Maximum cable length:	100 m (328 ft)
(1) See chapter Safety function STO ("Safe Torque Off") (<i>see page 86</i>)	

Properties of Connection Terminals CN2

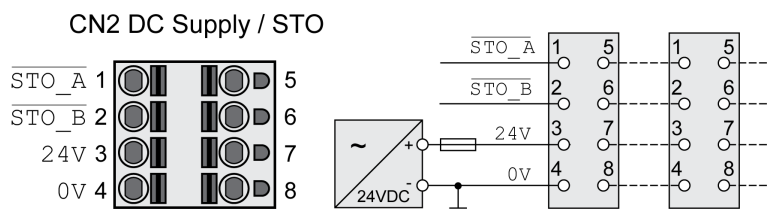
Characteristic	Unit	Value
Maximum terminal current	A	16 ⁽¹⁾
Connection cross section	mm ² (AWG)	0.5 ... 2.5 (20 ... 14)
Stripping length	mm (in)	12 ... 13 (0.47 ... 0.51)
(1) Note the maximum permissible terminal current when connecting several devices.		

The terminals are approved for stranded conductors and solid conductors. Use wire cable ends (ferrules), if possible.

Permissible Terminal Current of 24 Vdc Control Supply

- Connection CN2, pins 3 and 7 as well as pins 4 and 8 can be used as 24V/0V connections for additional consumers.
In the connector, the following pins are connected: pin 1 to pin 5, pin 2 to pin 6, pin 3 to pin 7 and pin 4 to pin 8.
- The voltage at the holding brake output depends on the 24 Vdc control supply. Note that the current of the holding brake also flows via this terminal.

Wiring Diagram



Pin	Signal	Meaning
1, 5	STO_A	Safety function STO: Dual-channel connection, connection A
2, 6	STO_B	Safety function STO: Dual-channel connection, connection B
3, 7	+24 VDC	24 Vdc control supply
4, 8	0VDC	Reference potential for 24 Vdc control supply and reference potential for STO

Connecting the Safety Function STO

- Verify that wiring, cables and connected interfaces meet the PELV requirements.
- Connect the safety function in accordance with the specifications in chapter Safety function STO ("Safe Torque Off") (*see page 86*).

Connecting the 24 Vdc Control Supply

- Verify that wiring, cables and connected interfaces meet the PELV requirements.
- Route the 24 Vdc control supply from a power supply unit (PELV) to the device.
- Ground the negative output at the power supply unit.
- Note the maximum permissible terminal current when connecting several devices.
- Verify that the connector locks snap in properly at the housing.

Connection Digital Inputs and Outputs (CN6)

The device has configurable inputs and configurable outputs. The standard assignment and the configurable assignment depend on the selected operating mode. For more information, see chapter Digital Inputs and Outputs (*see page 221*).

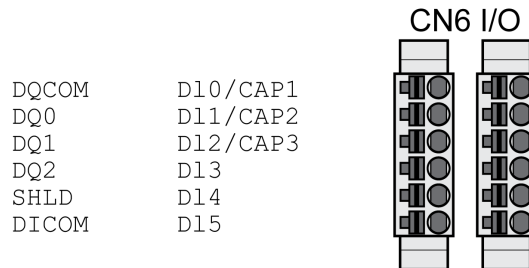
Cable Specifications

Shield:	-
Twisted Pair:	-
PELV:	Required
Cable composition:	0.25 mm ² , (AWG 22)
Maximum cable length:	30 m (98.4 ft)

Properties of Connection Terminals CN6

Characteristic	Unit	Value
Connection cross section	mm ² (AWG)	0.2 ... 1.0 (24 ... 16)
Stripping length	mm (in)	10 (0.39)

Wiring Diagram



Signal	Meaning
DQ_COM	Reference potential to DQ0 ... DQ4
DQ0	Digital output 0
DQ1	Digital output 1
DQ2	Digital output 2
SHLD	Shield connection
DI_COM	Reference potential to DI0 ... DI5
DI0/CAP1	Digital input 0 / Capture input 1
DI1/CAP2	Digital input 1 / Capture input 2
DI2/CAP3 ⁽¹⁾	Digital input 2 / Capture input 3 ⁽¹⁾
DI3	Digital input 3
DI4	Digital input 4
DI5	Digital input 5
(1) Available with hardware version ≥RS03	

The connectors are coded. Verify correct assignment when connecting them.

The configuration and the standard assignment of the inputs and outputs are described in chapter Digital Inputs and Outputs (*see page 221*).

Connecting the Digital Inputs/Outputs

- Wire the digital connections to CN6.
- Ground the shield to SHLD.
- Verify that the connector locks snap in properly.

Connection PC with Commissioning Software (CN7)

A PC with the commissioning software Lexium DTM Library can be connected for commissioning. The PC is connected via a bidirectional USB/RS485 converter, see chapter Accessories and Spare Parts (see page 613).

If the commissioning interface at the product is directly connected to an Ethernet interface at the PC, the PC interface may be damaged and rendered inoperable.

NOTICE

DAMAGE TO PC

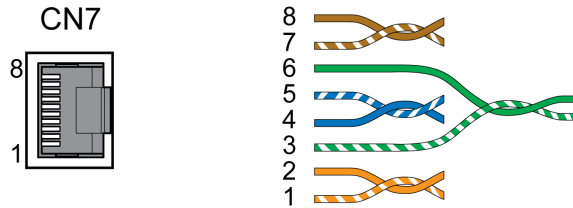
Do not directly connect an Ethernet interface to the commissioning interface of this product.

Failure to follow these instructions can result in equipment damage.

Cable Specifications

Shield:	Required, both ends grounded
Twisted Pair:	Required
PELV:	Required
Cable composition:	8 * 0.25 mm ² (8 * AWG 22)
Maximum cable length:	100 m (328 ft)

Wiring Diagram



Pin	Signal	Meaning
1 ... 3	-	Reserved
4	MOD_D1	RS485, Bidirectional transmit/receive signal
5	MOD_D0	RS485, Bidirectional transmit/receive signal, inverted
6	-	Reserved
7	MOD+10V_OUT	10 V supply, maximum 100 mA
8	MOD_0V	Reference potential to MOD+10V_OUT

⚠ WARNING

UNINTENDED EQUIPMENT OPERATION

Do not connect any wiring to reserved, unused connections, or to connections designated as No Connection (N.C.).

Failure to follow these instructions can result in death, serious injury, or equipment damage.

- Verify that the connector locks snap in properly.

Section 4.3

Verifying Installation

Verifying Installation

Verify proper installation:

- Verify the mechanical installation of the entire drive system:
 - Does the installation meet the specified distance requirements?
 - Did you tighten all fastening screws with the specified tightening torque?
- Verify the electrical connections and the cabling:
 - Did you connect all protective ground conductors?
 - Do all fuses have the correct rating; are the fuses of the specified type?
 - Did you connect all wires of the cables or insulate them?
 - Did you properly connect and install all cables and connectors?
 - Are the mechanical locks of the connectors correct and effective?
 - Did you properly connect the signal wires?
 - Are the required shield connections EMC-compliant?
 - Did you take all measures for EMC compliance?
 - Does the drive installation conform to all local, regional, and national electrical safety codes for the eventual placement of the equipment?
- Verify that all covers and seals have been properly installed to achieve the required degree of protection.

Chapter 5

Commissioning

What Is in This Chapter?

This chapter contains the following sections:

Section	Topic	Page
5.1	Overview	138
5.2	Integrated HMI	142
5.3	External graphic display terminal	153
5.4	Commissioning Procedure	158
5.5	Controller Optimization with Step Response	181
5.6	Parameter Management	192

Section 5.1 Overview

What Is in This Section?

This section contains the following topics:

Topic	Page
General	139
Preparation	141

General

The safety-related function STO (Safe Torque Off) does not remove power from the DC bus. The safety-related function STO only removes power to the motor. The DC bus voltage and the mains voltage to the drive are still present.

DANGER

ELECTRIC SHOCK

- Do not use the safety-related function STO for any other purposes than its intended function.
- Use an appropriate switch, that is not part of the circuit of the safety-related function STO, to disconnect the drive from the mains power.

Failure to follow these instructions will result in death or serious injury.

External driving forces acting on the motor can cause high currents to be regenerated and supplied back to the drive.

DANGER

FIRE DUE TO EXTERNAL DRIVING FORCES ACTING ON MOTOR

Verify that no external forces can act on the motor in the case of errors of error classes 3 or 4.

Failure to follow these instructions will result in death or serious injury.

Unsuitable parameter values or unsuitable data may trigger unintended movements, trigger signals, damage parts and disable monitoring functions. Some parameter values or data do not become active until after a restart.

WARNING

UNINTENDED EQUIPMENT OPERATION

- Only start the system if there are no persons or obstructions in the zone of operation.
- Do not operate the drive system with undetermined parameter values or data.
- Never modify a parameter value unless you fully understand the parameter and all effects of the modification.
- Restart the drive and verify the saved operational data and/or parameter values after modifications.
- Carefully run tests for all operating states and potential error situations when commissioning, upgrading or otherwise modifying the operation of the drive.
- Verify the functions after replacing the product and also after making modifications to the parameter values and/or other operational data.

Failure to follow these instructions can result in death, serious injury, or equipment damage.

If the power stage is disabled unintentionally, for example as a result of power outage, errors or functions, the motor is no longer decelerated in a controlled way.

WARNING

UNINTENDED EQUIPMENT OPERATION

Verify that movements without braking effect cannot cause injuries or equipment damage.

Failure to follow these instructions can result in death, serious injury, or equipment damage.

Applying the holding brake while the motor is running will cause excessive wear and degradation of the braking torque.

⚠ WARNING
LOSS OF BRAKING FORCE DUE TO WEAR OR HIGH TEMPERATURE <ul style="list-style-type: none">• Do not use the holding brake as a service brake.• Do not exceed the maximum number of brake applications and the kinetic energy during braking of moving loads. Failure to follow these instructions can result in death, serious injury, or equipment damage.

When the product is operated for the first time, there is a risk of unanticipated movements caused by, for example, incorrect wiring or unsuitable parameter settings. Releasing the holding brake can cause an unintended movement, for example, a falling load in the case of vertical axes.

⚠ WARNING
UNINTENDED MOVEMENT <ul style="list-style-type: none">• Verify that there are no persons or obstructions in the zone of operation when operating the system.• Take appropriate measures to avoid hazards caused by falling or lowering loads or other unintended movements.• Run initial tests without coupled loads.• Verify that a functioning emergency stop push-button is within reach of all persons involved in running tests.• Anticipate movements in unintended directions or oscillations of the motor. Failure to follow these instructions can result in death, serious injury, or equipment damage.

The metal surfaces of the product may exceed 70 °C (158 °F) during operation.

⚠ CAUTION
HOT SURFACES <ul style="list-style-type: none">• Avoid unprotected contact with hot surfaces.• Do not allow flammable or heat-sensitive parts in the immediate vicinity of hot surfaces.• Verify that the heat dissipation is sufficient by performing a test run under maximum load conditions. Failure to follow these instructions can result in injury or equipment damage.

The product can be accessed via different types of access channels. Simultaneous access via multiple access channels or the use of exclusive access may cause unintended equipment operation.

⚠ WARNING
UNINTENDED EQUIPMENT OPERATION <ul style="list-style-type: none">• Verify that simultaneous access via multiple access channels cannot cause unintended triggering or blocking of commands.• Verify that the use of exclusive access cannot cause unintended triggering or blocking of commands.• Verify that the required access channels are available. Failure to follow these instructions can result in death, serious injury, or equipment damage.

If the drive was not connected to mains for an extended period of time, the capacitors must be restored to their full performance before the motor is started.

NOTICE
REDUCED CAPACITOR PERFORMANCE <ul style="list-style-type: none">• If the drive has not been connected to mains for a period of more than 24 months, apply mains voltage to the drive for at least one hour before enabling the power stage for the first time.• If the drive is commissioned for the first time, verify the date of manufacture and run the procedure specified above if the date of manufacture is more than 24 months in the past. Failure to follow these instructions can result in equipment damage.

Preparation

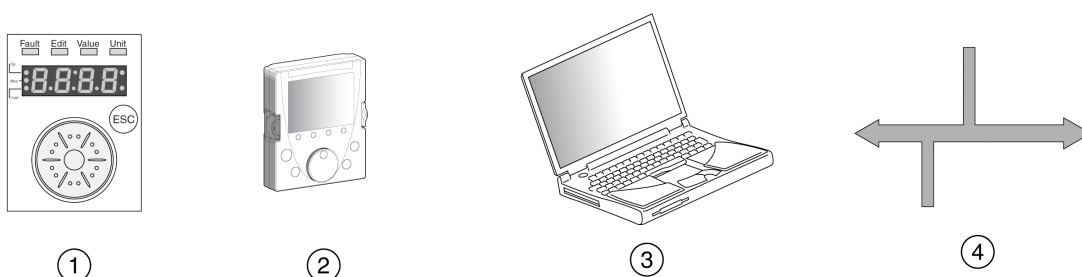
Required Components

The following is required for commissioning:

- Commissioning software “Lexium DTM Library”
https://www.se.com/ww/en/download/document/Lexium_DTM_Library/
- Fieldbus converter for the commissioning software for connection via the commissioning interface

Interfaces

The following interfaces can be used for commissioning, parameterization and diagnostics:



- 1 Integrated HMI
- 2 External graphic display terminal
- 3 PC with commissioning software “Lexium DTM Library”
- 4 Fieldbus

Device settings can be duplicated. Stored device settings can be transferred to a device of the same type. Duplicating the device settings can be used if multiple devices are to have the same settings, for example, when devices are replaced.

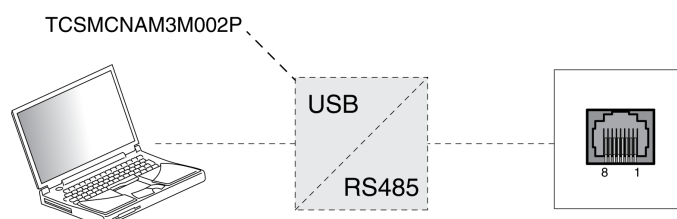
Commissioning Software

The commissioning software “Lexium DTM Library” has a graphic user interface and is used for commissioning, diagnostics and testing settings.

- Tuning of the control loop parameters via a graphical user interface
- Comprehensive set of diagnostics tools for optimization and maintenance
- Long-term trace for evaluation of the performance
- Testing the input and output signals
- Tracking signals on the screen
- Archiving of device settings and recordings with export function for further processing in other applications

Connecting a PC

A PC with commissioning software can be connected for commissioning. The PC is connected to a bidirectional USB/RS485 converter, see chapter Accessories and Spare Parts ([see page 613](#)).



Section 5.2 Integrated HMI

What Is in This Section?

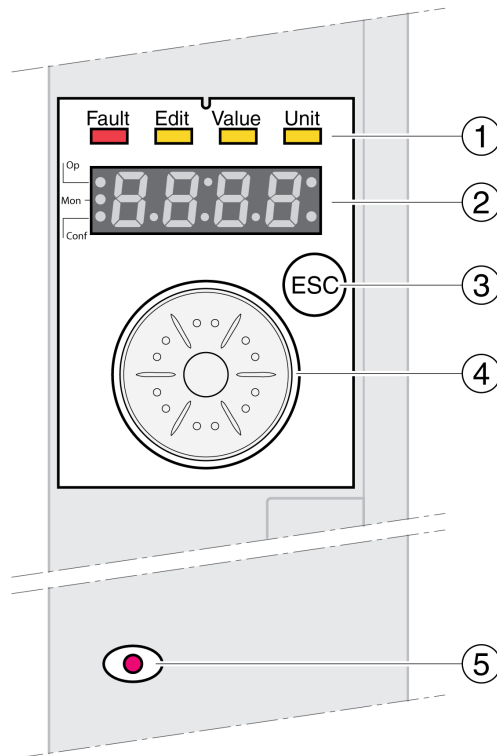
This section contains the following topics:

Topic	Page
Overview of Integrated HMI	143
Menu Structure	146
Making Settings	152

Overview of Integrated HMI

Overview

The device allows you to edit parameters, start the operating mode Jog or perform autotuning via the integrated Human-Machine Interface (HMI). Diagnostics information (such as parameter values or error codes) can also be displayed. The individual sections on commissioning and operation include information on whether a function can be carried out via the integrated HMI or whether the commissioning software must be used.



- 1 Status LEDs
- 2 7-segment display
- 3 ESC key
- 4 Navigation button
- 5 Red LED on: Voltage present at DC bus

Status LEDs and a 4-digit 7-segment display indicate the device status, menu designation, parameter codes, status codes and error codes. By turning the navigation button, you can select menu levels and parameters and increment or decrement values. To confirm a selection, press the navigation button.

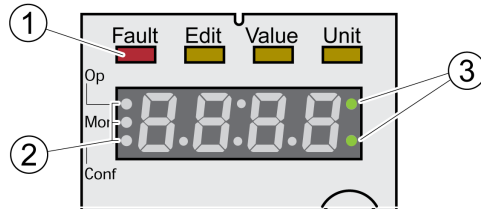
The ESC (Escape) button allows you to exit parameters and menus. If values are displayed, the ESC button lets you return to the last saved value.

Character Set on the HMI

The following table shows the assignment of the characters to the symbols displayed by the 4-digit 7-segment display.

A	B	C	D	E	F	G	H	I	J	K	L	M	N	O	P	Q	R	
<i>A</i>	<i>b</i>	<i>c</i>	<i>C</i>	<i>d</i>	<i>E</i>	<i>F</i>	<i>G</i>	<i>H</i>	<i>,</i>	<i>J</i>	<i>K</i>	<i>L</i>	<i>Π</i>	<i>n</i>	<i>a</i>	<i>P</i>	<i>q</i>	<i>r</i>
S	T	U	V	W	X	Y	Z	1	2	3	4	5	6	7	8	9	0	
<i>S</i>	<i>t</i>	<i>u</i>	<i>v</i>	<i>w</i>	<i>x</i>	<i>y</i>	<i>Z</i>	<i>1</i>	<i>2</i>	<i>3</i>	<i>4</i>	<i>5</i>	<i>6</i>	<i>7</i>	<i>8</i>	<i>9</i>	<i>0</i>	

Indication of the Device Status



- 1 Four status LEDs
- 2 Three status LEDs for identification of the menu levels
- 3 Flashing dots indicate an error of error class 0

1: Four status LEDs are located above the 7-segment display:

Fault	Edit	Value	Unit	Meaning
Lights red				Operating state Fault
	Lights yellow	Lights yellow		Parameter value can be edited
		Lights yellow		Value of the parameter
			Lights yellow	Unit of the selected parameter

2: Three status LEDs for identification of the menu levels:

LED	Meaning
Op	Operation
Mon	Status information
Conf	Configuration

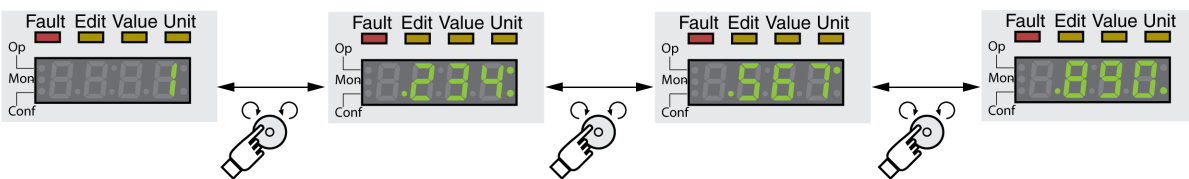
3: Flashing dots indicate an error of error class 0, for example, if a limit value has been exceeded.

Display of Values

The HMI can directly display values up to 999.

Values greater than 999 are displayed in ranges of 1000. Turn the navigation button to select one of the ranges.

Example: Value 1234567890



Navigation Button

The navigation button can be turned and pressed. There are two types of pressing: brief pressing (≤ 1 s) and long pressing (≥ 3 s).

Turn the navigation button to do the following:

- Go to the next or previous menu
- Go to the next or previous parameter
- Increment or decrement values
- Switch between ranges in the case of values greater than 999

Briefly **press** the navigation button to do the following:

- Call the selected menu
- Call the selected parameter
- Save the value to the nonvolatile memory

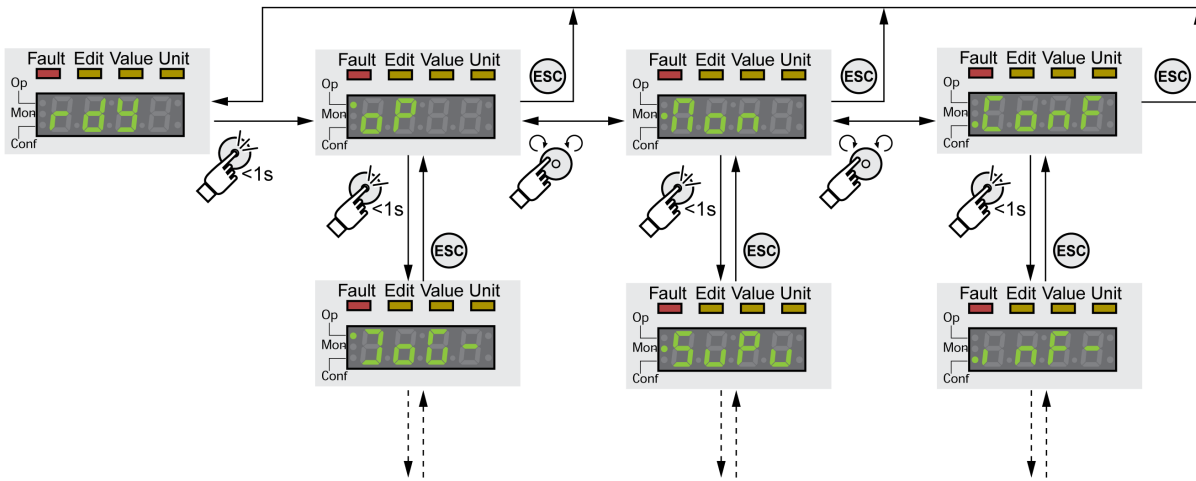
Hold down the navigation button to do the following:

- Display a description of the selected parameter
- Display the unit of the selected parameter

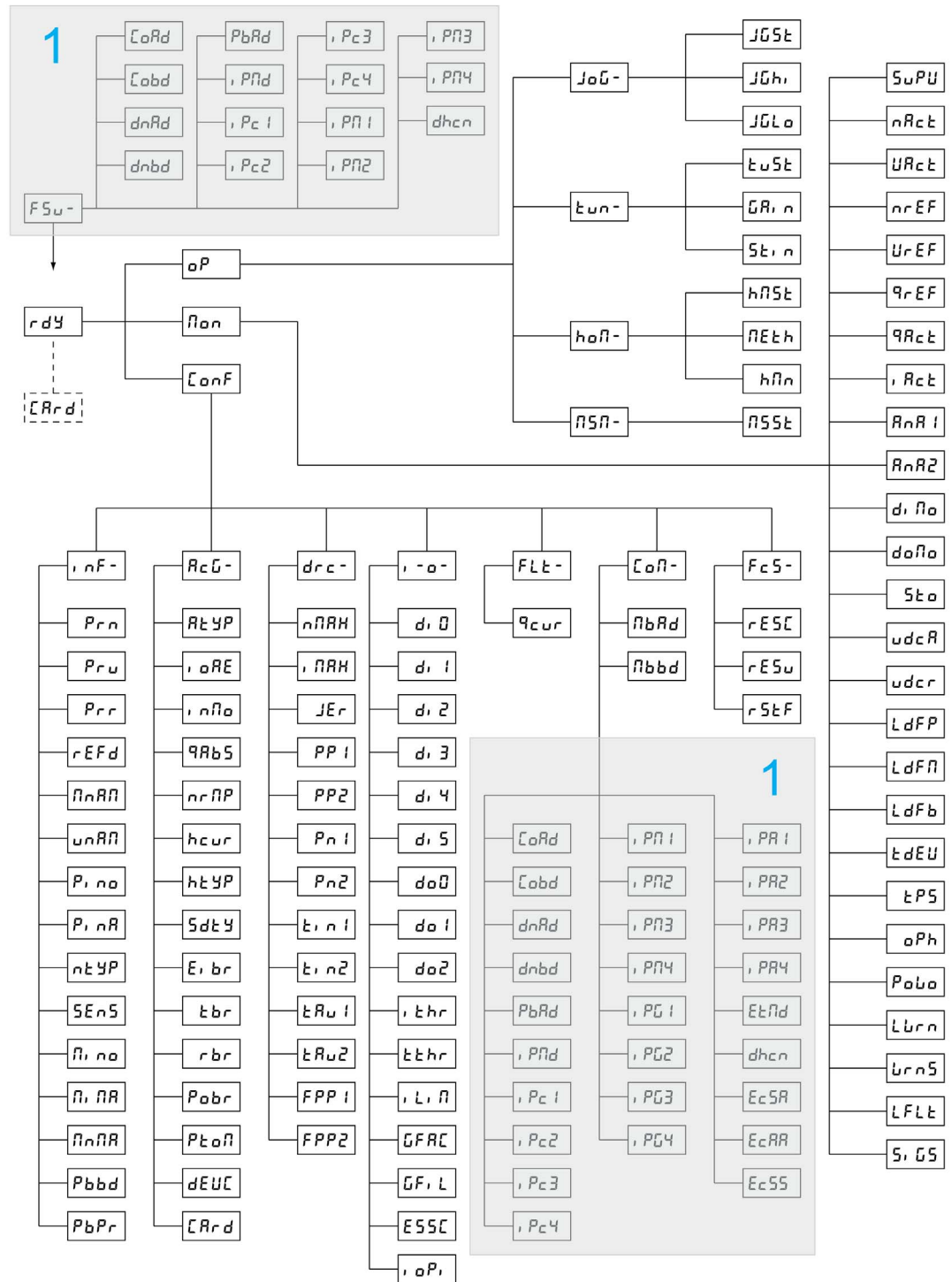
Menu Structure

Overview

The integrated HMI is menu-driven. The following illustration shows the top level of the menu structure.



The level below the top level contains the parameters belonging to the respective menu items. To facilitate access, the parameter tables also specify the menu path, for example `oP → JOG -`.



1 Depending on module

HMI menu FSU -	Description
FSU -	First setup (First Setup)
CoRd	CANopen address (node number)
Cobd	CANopen baud rate
dnRd	DeviceNet node address (MAC ID)
dnbd	DeviceNet baud rate
PbRd	Profibus address
PNd	Type of obtaining IP address

HMI menu <i>F S U -</i>	Description
<i>i P c 1</i>	IP address Ethernet module, byte 1
<i>i P c 2</i>	IP address Ethernet module, byte 2
<i>i P c 3</i>	IP address Ethernet module, byte 3
<i>i P c 4</i>	IP address Ethernet module, byte 4
<i>i P n 1</i>	IP address subnet mask, byte 1
<i>i P n 2</i>	IP address subnet mask, byte 2
<i>i P n 3</i>	IP address subnet mask, byte 3
<i>i P n 4</i>	IP address subnet mask, byte 4
<i>d h c n</i>	User application name HMI, part 4

HMI menu <i>o P</i>	Description
<i>o P</i>	Operating mode (Operation)
<i>J o G -</i>	Operating mode Jog
<i>t u n -</i>	Autotuning
<i>h o m -</i>	Operating mode Homing
<i>n S n -</i>	Operating mode Motion Sequence

HMI menu <i>J o G -</i>	Description
<i>J o G -</i>	Operating mode Jog
<i>J G S t</i>	Start operating mode Jog
<i>J G h i</i>	Velocity for fast movement
<i>J G L o</i>	Velocity for slow movement

HMI menu <i>t u n -</i>	Description
<i>t u n -</i>	Autotuning
<i>t u S t</i>	Start autotuning
<i>G R i n</i>	Global gain factor (affects parameter set 1)
<i>S t i n</i>	Direction of movement for Autotuning

HMI menu <i>h o m -</i>	Description
<i>h o m -</i>	Operating mode Homing
<i>h n S t</i>	Start operating mode Homing
<i>n E t h</i>	Preferred homing method
<i>h n n</i>	Target velocity for searching the switch

HMI menu <i>n S n -</i>	Description
<i>n S n -</i>	Operating mode Motion Sequence
<i>n S S t</i>	Start operating mode Motion Sequence

HMI menu <i>n o n</i>	Description
<i>n o n</i>	Monitoring (Monitoring)
<i>S u P u</i>	HMI display when motor moves
<i>n R c t</i>	Actual speed of rotation
<i>V R c t</i>	Actual velocity
<i>n r E F</i>	Reference speed of rotation
<i>V r E F</i>	Reference velocity
<i>q r E F</i>	Reference motor current (q component, generating torque)

HMI menu <i>Mon</i>	Description
<i>qAct</i>	Actual motor current (q component, generating torque)
<i>iAct</i>	Total motor current
<i>AnA1</i>	Analog 1: Value of input voltage
<i>AnA2</i>	Analog 2: Value of input voltage
<i>diPo</i>	Status of digital inputs
<i>doPo</i>	Status of digital outputs
<i>Sto</i>	Status of the inputs for the safety function STO
<i>udcR</i>	Voltage at DC bus
<i>udcr</i>	Degree of utilization of DC bus voltage
<i>LdFP</i>	Load of power stage
<i>LdFN</i>	Load of motor
<i>LdFb</i>	Load of braking resistor
<i>tdEV</i>	Device temperature
<i>tPS</i>	Temperature of power stage
<i>oPh</i>	Operating hours counter
<i>Polo</i>	Number of power on cycles
<i>LWrrn</i>	Detected error not causing a stop (error class 0)
<i>WrrnS</i>	Detected error of error class 0, bit-coded (parameter <i>_WarnLatched</i>)
<i>LFLt</i>	Detected error causing a stop (error classes 1 to 4)
<i>SIGS</i>	Saved status of monitoring signals

HMI menu <i>Conf</i>	Description
<i>Conf</i>	Configuration (Configuration)
<i>inf-</i>	Information/Identification (IN formation / Identification)
<i>AcG-</i>	Axis configuration (Axis Configuration)
<i>drC-</i>	Device configuration (DR ive C onfiguration)
<i>i-o-</i>	Configurable inputs/outputs (In Out)
<i>FLt-</i>	Indication of detected error
<i>CoN-</i>	Communication (COM munication)
<i>FcS-</i>	Restore factory settings (default values) (Factory Settings)

HMI menu <i>inf-</i>	Description
<i>inf-</i>	Information/Identification (IN formation / Identification)
<i>Prrn</i>	Firmware number
<i>Prru</i>	Firmware Version
<i>Prrr</i>	Firmware Revision
<i>rEFd</i>	product name
<i>nnAn</i>	Type
<i>unAn</i>	User application name
<i>Pino</i>	Nominal current of power stage
<i>PinR</i>	Maximum current of power stage
<i>ntYP</i>	Motor type
<i>SEnS</i>	Encoder type of motor
<i>PinO</i>	Nominal current of motor
<i>PinR</i>	Maximum motor current
<i>nnnR</i>	Maximum permissible speed of rotation/velocity of motor
<i>Pbbd</i>	Profibus baud rate
<i>PbPr</i>	Profibus drive profile

HMI menu <i>A c G -</i>	Description
<i>A c G -</i>	Axis configuration (A xis C onfiguration)
<i>A t Y P</i>	Activation of Modulo
<i>i o A E</i>	Enabling the power stage at PowerOn
<i>i n P o</i>	Inversion of direction of movement
<i>q A b S</i>	Simulation of absolute position at power cycling
<i>n r P P</i>	Maximum velocity of the motion profile for velocity
<i>h c u r</i>	Current value for Halt
<i>h t Y P</i>	Halt option code
<i>S d t Y</i>	Behavior for disabling the power stage during movement
<i>E i b r</i>	Selection of internal or external braking resistor
<i>t b r</i>	Maximum permissible activation duration of external braking resistor
<i>r b r</i>	Resistance value of external braking resistor
<i>P o b r</i>	Nominal power of external braking resistor
<i>P t o P</i>	Type of usage of PTO interface
<i>d E V C</i>	Specification of the control mode
<i>C A r d</i>	Memory card management

HMI menu <i>d r C -</i>	Description
<i>d r C -</i>	Device configuration (D Rive C onfiguration)
<i>n P A X</i>	Velocity limitation
<i>i P A X</i>	Current limitation
<i>J E r</i>	Jerk limitation of the motion profile for velocity
<i>P P 1</i>	Position controller P gain
<i>P P 2</i>	Position controller P gain
<i>P n 1</i>	Velocity controller P gain
<i>P n 2</i>	Velocity controller P gain
<i>t i n 1</i>	Velocity controller integral action time
<i>t i n 2</i>	Velocity controller integral action time
<i>t A u 1</i>	Filter time constant of the reference velocity value filter
<i>t A u 2</i>	Filter time constant of the reference velocity value filter
<i>F P P 1</i>	Feed-forward control Velocity
<i>F P P 2</i>	Feed-forward control Velocity

HMI menu <i>i - o -</i>	Description
<i>i - o -</i>	Configurable inputs/outputs (I n O ut)
<i>d i 0</i>	Function Input DI0
<i>d i 1</i>	Function Input DI1
<i>d i 2</i>	Function Input DI2
<i>d i 3</i>	Function Input DI3
<i>d i 4</i>	Function Input DI4
<i>d i 5</i>	Function Input DI5
<i>d o 0</i>	Function Output DQ0
<i>d o 1</i>	Function Output DQ1
<i>d o 2</i>	Function Output DQ2
<i>i t h r</i>	Monitoring of current threshold
<i>t t h r</i>	Monitoring of time window
<i>i L i n</i>	Current limitation via input
<i>G F A c</i>	Selection of special gear ratios

HMI menu <i>i - o -</i>	Description
<i>G F i L</i>	Activation of jerk limitation
<i>E S S c</i>	Encoder Simulation Resolution
<i>i o P i</i>	Selection of type of reference value signal for PTI interface

HMI menu <i>F L t -</i>	Description
<i>F L t -</i>	Indication of detected error
<i>q c u r</i>	Current value for Quick Stop

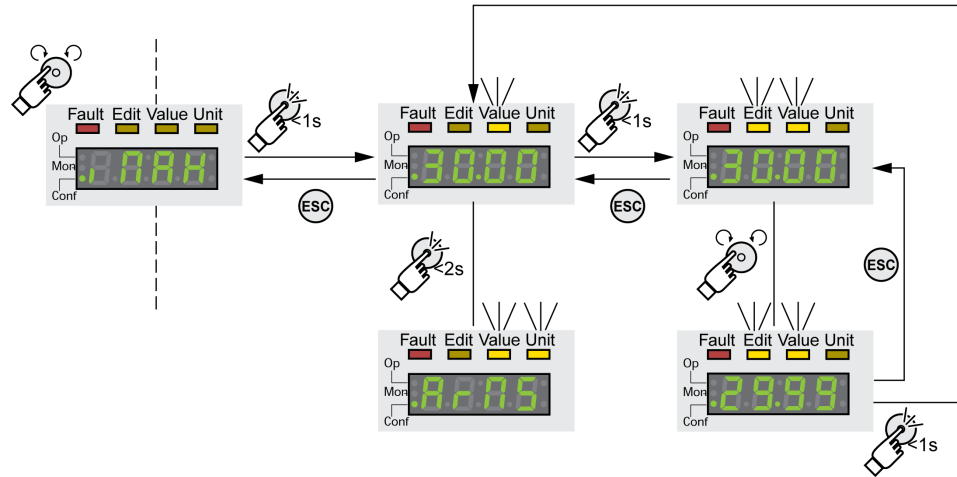
HMI menu <i>C o n -</i>	Description
<i>C o n -</i>	Communication (COM munication)
<i>n b A d</i>	Modbus address
<i>n b b d</i>	Modbus baud rate
<i>C o A d</i>	CANopen address (node number)
<i>C o b d</i>	CANopen baud rate
<i>d n A d</i>	DeviceNet node address (MAC ID)
<i>d n b d</i>	DeviceNet baud rate
<i>P b A d</i>	Profibus address
<i>i P n d</i>	Type of obtaining IP address
<i>i P c 1</i>	IP address Ethernet module, byte 1
<i>i P c 2</i>	IP address Ethernet module, byte 2
<i>i P c 3</i>	IP address Ethernet module, byte 3
<i>i P c 4</i>	IP address Ethernet module, byte 4
<i>i P n 1</i>	IP address subnet mask, byte 1
<i>i P n 2</i>	IP address subnet mask, byte 2
<i>i P n 3</i>	IP address subnet mask, byte 3
<i>i P n 4</i>	IP address subnet mask, byte 4
<i>i P G 1</i>	IP address gateway, byte 1
<i>i P G 2</i>	IP address gateway, byte 2
<i>i P G 3</i>	IP address gateway, byte 3
<i>i P G 4</i>	IP address gateway, byte 4
<i>i P A 1</i>	Currently used IP address Ethernet module, byte 1
<i>i P A 2</i>	Currently used IP address Ethernet module, byte 2
<i>i P A 3</i>	Currently used IP address Ethernet module, byte 3
<i>i P A 4</i>	Currently used IP address Ethernet module, byte 4
<i>E t n d</i>	Protocol
<i>d h c n</i>	User application name HMI, part 4
<i>E c S A</i>	Second EtherCAT address
<i>E c A A</i>	EtherCAT address
<i>E c S S</i>	EtherCAT slave state

HMI menu <i>F c S -</i>	Description
<i>F c S -</i>	Restore factory settings (default values) (F actory S ettings)
<i>r E S c</i>	Reset control loop parameters
<i>r E S u</i>	Resetting the user parameters
<i>r S t F</i>	Restore factory settings (default values)

Making Settings

Displaying and Setting Parameters

The figure below shows an example of displaying a parameter (second level) and entering or selecting a parameter value (third level).



- Go to the parameter **iMax** (iMax).
- Press the navigation button for a longer period of time to display a parameter description. The parameter description is displayed in the form of horizontally scrolling text.
- Briefly press the navigation button to display the value of the selected parameter. The LED Value lights up and the parameter value is displayed.
- Press the navigation button for a longer period of time to display the unit of the parameter value. As long as the navigation button is held down, the status LEDs Value and Unit light. The unit of the parameter value is displayed. Once you release the navigation button, the parameter value is displayed again.
- Press the navigation button to modify the value of the parameter. The status LEDs Edit and Value light and the parameter value is displayed.
- Turn the navigation button to modify the value of the parameter. The increments and the limit value for each parameter are pre-defined.
- Briefly press the navigation button to save the modified parameter value. If you do not want to save the modified parameter value, press the ESC button to cancel. The display returns to the original value of the parameter. The displayed modified value of parameter value flashes once and is written to the nonvolatile memory.
- Press ESC to return to the menu

Setting the 7-segment Display

By default, the operating state is displayed by the 4-digit 7-segment display,

You can set the following via the menu item **dr c - / 5 u P V**:

- **5 t R t** displays the operating state, default
- **V R c t** displays the actual velocity of the motor, default
- **i R c t** displays the actual torque of the motor, default

A change only becomes active when the power stage is disabled.

Section 5.3

External graphic display terminal

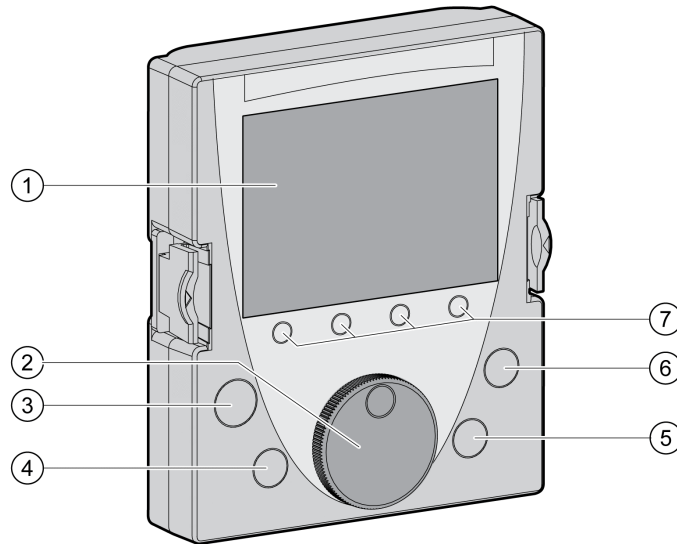
What Is in This Section?

This section contains the following topics:

Topic	Page
Display and Controls	154
Connecting the external graphic display terminal to LXM32	156
Using the external graphic display terminal	157

Display and Controls

The external graphic display terminal is only designed for commissioning drives.



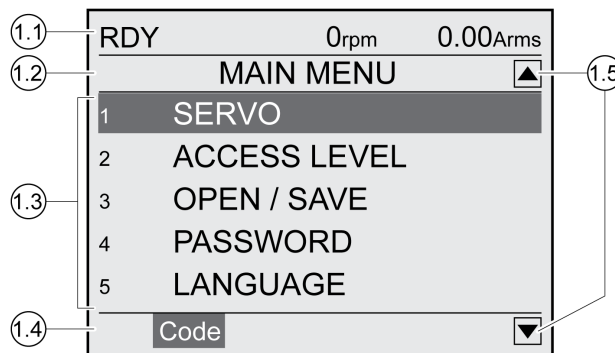
- 1 Display field
- 2 Navigation button
- 3 STOP/RESET key
- 4 RUN key
- 5 FWD/REV key
- 6 ESC key
- 7 Function keys F1 ... F4

Depending on the firmware version of the external graphic display terminal, the information may be represented differently. Use the most up to date firmware version.

Display Field (1)

The display is subdivided into 5 areas.

Display of the graphic display terminal (example shows English language)



- 1.1 Status information of the drive
- 1.2 Menu bar
- 1.3 Data field
- 1.4 Function bar
- 1.5 Navigation

Status Information of the Drive (1.1)

This line displays the operating state, the actual velocity and the actual current of the motor. If an error has been detected, the error code is displayed.

Menu Bar (1.2)

The menu bar displays the name of the menu.

Data Field (1.3)

The following information can be displayed and values entered in the data field:

- Submenus
- Operating Mode
- Parameters and parameter values
- State of movement
- Error messages

Function Bar (1.4)

The function bar displays the name of the function that is triggered when you press the corresponding function key. Example: Pressing the F1 function key displays the "Code". If you press F1, the HMI name of the displayed parameter is shown.

Navigation (1.5)

Arrows indicate that additional information is available that can be displayed by scrolling.

Navigation Button (2)

By turning the navigation button, you can select menu levels and parameters and increment or decrement values. To confirm a selection, press the navigation button.

Key STOP/RESET (3)

The key STOP/RESET terminates a movement by means of a Quick Stop.

Key RUN (4)

The key RUN allows you to start a movement.

Key FWD/REV (5)

The key FWD/REV allows you to reverse the direction of movement.

Key ESC (6)

The ESC (Escape) button allows you to exit parameters and menus or cancel a movement. If values are displayed, the ESC key lets you return to the last saved value.

Function Keys F1 ... F4 (7)

The function bar displays the name of the function triggered when the corresponding function key is pressed.

Connecting the external graphic display terminal to LXM32

The external graphic display terminal is an accessory for the drive, see chapter Accessories and Spare Parts (*see page 613*). The external graphic display terminal is connected to CN7 (commissioning interface). Only use the cable shipped with the external graphic display terminal to connect it. If the external graphic display terminal is connected to LXM32, the integrated HMI is deactivated. The integrated HMI shows **d , 5 P** (Display).

Using the external graphic display terminal

The following example shows how to use the external graphic display terminal.

Example 'Setting the Language'

In this example, you set the desired language for the external graphic display terminal. The installation of the drive must have been completed and the 24 Vdc control supply voltage must be on.

- Go to the main menu.
- Rotate the navigation button until item 5 (LANGUAGE) is highlighted.
- Press the navigation button to confirm the selection.
The menu bar shows the selected function 5 (LANGUAGE). The data field displays the selected value, in this case the selected language.
- Press the navigation button to change the value.
The menu bar displays the selected function "Language". The supported languages are shown in the data field.
- Turn the navigation button to select the desired language.
The currently active language is highlighted by a check.
- Press the navigation button to confirm the selected value.
The menu bar displays the selected function "Language". The selected language is shown in the data field.
- Press ESC to return to the main menu.
The main menu is displayed in the selected language.

Section 5.4

Commissioning Procedure

What Is in This Section?

This section contains the following topics:

Topic	Page
Powering on the Device for the First Time	159
Setting Limit Values	160
Digital Inputs and Outputs	162
Verifying the Signals of the Limit Switches	164
Verifying the Safety Function STO	165
Holding Brake (Option)	166
Verifying the Direction of Movement	170
Setting Parameters for Encoder	171
Setting the Braking Resistor Parameters	175
Autotuning	177
Enhanced Settings for Autotuning	179

Powering on the Device for the First Time

Performing a "First Setup"

A "First Setup" is required when the 24 Vdc control supply of the drive is powered on for the first time or after the factory settings have been restored.

Automatic Reading of the Motor Data Record

When the device is powered on and if an encoder is connected to CN3, the device automatically reads the electronic nameplate from the Hiperface encoder. The data record is verified and written to the nonvolatile memory.

The data record contains technical information on the motor such as nominal torque and peak torque, nominal current, nominal velocity and number of pole pairs. The data record cannot be modified by the user.

Manual Adjustment of the Motor Parameters

If the motor encoder is not connected to CN3, the motor parameters must be adjusted manually. Note the information in the manual for the encoder modules.

Preparation

If the device is not to be commissioned exclusively via the HMI, a PC with the commissioning software must be connected.

Powering On the Device

- Verify that the power stage supply and the 24 Vdc control supply are powered off.
- Disconnect the product from the fieldbus during commissioning in order to help avoid conflicts by simultaneous access.
- Power on the 24 Vdc control supply.
The device goes through an initialization routine. The segments of the 7-segment display and the status LEDs light up.

If a memory card is in the slot of the device, the message **CARD** is displayed by the 7-segment display for a short period of time. This indicates that a memory card has been detected. If the message **CARD** is permanently displayed by the 7-segment display, there are differences between the content of the memory card and the parameter values stored in the device. See chapter Memory Card ([see page 193](#)) for additional information.

After initialization and if one or more modules are plugged in, you must make additional settings depending on the module(s). Make these settings as described in the appropriate manuals for the modules.

Restarting the Drive

Depending on the settings of the parameters, a restart of the drive may be required for the modifications to become effective.

- If the HMI shows **rdY** the drive is ready for operation.
- If the HMI shows **nr dY** a restart of the drive is required. After the restart, the drive is ready for operation.

Further Steps

- Attach a label to the device that contains information for servicing the device such as fieldbus type and device address.
- Make the settings described below for commissioning.

NOTE: For more information on the presentation of parameters and a list of all operational parameters of the drive, see chapter Parameters ([see page 471](#)).

Setting Limit Values

Setting Limit Values

Suitable limit values must be determined and calculated on the basis of the system and motor data. As long as the motor is operated without loads, the default settings do not need to be changed.

Current Limitation

The maximum motor current can be set with the parameter `CTRL_I_max`.

The maximum current for the "Quick Stop" function can be limited with the parameter `LIM_I_maxQSTP` and for the "Halt" function with the parameter `LIM_I_maxHalt`.

- Use the parameter `CTRL_I_max` to set the maximum motor current.
- Use the parameter `LIM_I_maxQSTP` to set the maximum motor current for the "Quick Stop" function.
- Use the parameter `LIM_I_maxHalt` to set the maximum motor current for the "Halt" function.

The motor can be decelerated via a deceleration ramp or the maximum current for the functions "Quick Stop" and "Halt".

The device limits the maximum permissible current on the basis of the motor data and the device data. Even if the value entered for the maximum current in the parameter `CTRL_I_max` is too high, the value is limited.

Parameter name HMI menu HMI name	Description	Unit Minimum value Factory setting Maximum value	Data type R/W Persistent Expert	Parameter address via fieldbus
<code>CTRL_I_max</code> <i>CONF → drc - iMAX</i>	<p>Current limitation.</p> <p>During operation, the actual current limit is one of the following values (whichever is lowest):</p> <ul style="list-style-type: none"> - <code>CTRL_I_max</code> - <code>_M_I_max</code> - <code>_PS_I_max</code> - Current limitation via analog input (module IOM1) - Current limitation via digital input <p>Limitations caused by I2t monitoring are also taken into account.</p> <p>Default: <code>_PS_I_max</code> at 8 kHz PWM frequency and 230/480 V mains voltage In increments of 0.01 A_{rms}.</p> <p>Modified settings become active immediately.</p>	A_{rms} 0.00 - 463.00	UINT16 R/W per. -	CANopen 3011:C _h Modbus 4376 Profibus 4376 CIP 117.1.12 ModbusTCP 4376 EtherCAT 3011:C _h PROFINET 4376
<code>LIM_I_maxQSTP</code> <i>CONF → FLt - qcur</i>	<p>Current for Quick Stop.</p> <p>This value is only limited by the minimum/maximum value range (no limitation of this value by motor/power stage).</p> <p>In the case of a Quick Stop, the current limit (<code>_Imax_act</code>) is one of the following values (whichever is lowest):</p> <ul style="list-style-type: none"> - <code>LIM_I_maxQSTP</code> - <code>_M_I_max</code> - <code>_PS_I_max</code> <p>Further current limitations caused by I2t monitoring are also taken into account during a Quick Stop.</p> <p>Default: <code>_PS_I_max</code> at 8 kHz PWM frequency and 230/480 V mains voltage In increments of 0.01 A_{rms}.</p> <p>Modified settings become active immediately.</p>	A_{rms} - - -	UINT16 R/W per. -	CANopen 3011:D _h Modbus 4378 Profibus 4378 CIP 117.1.13 ModbusTCP 4378 EtherCAT 3011:D _h PROFINET 4378

Parameter name HMI menu HMI name	Description	Unit Minimum value Factory setting Maximum value	Data type R/W Persistent Expert	Parameter address via fieldbus
LIM_I_maxHalt CONF → RCL - hcur	<p>Current for Halt. This value is only limited by the minimum/maximum value range (no limitation of this value by motor/power stage).</p> <p>In the case of a Halt, the current limit (I_{max_act}) is one of the following values (whichever is lowest):</p> <ul style="list-style-type: none"> - LIM_I_maxHalt - M_{I_max} - PS_{I_max} <p>Further current limitations caused by I2t monitoring are also taken into account during a Halt.</p> <p>Default: PS_{I_max} at 8 kHz PWM frequency and 230/480 V mains voltage In increments of 0.01 A_{rms}. Modified settings become active immediately.</p>	A_{rms} - - -	UINT16 R/W per. -	CANopen 3011:EH Modbus 4380 Profibus 4380 CIP 117.1.14 ModbusTCP 4380 EtherCAT 3011:EH PROFINET 4380

Velocity Limitation

The parameter `CTRL_v_max` can be used to limit the maximum velocity.

- Use the parameter `CTRL_v_max` to set the maximum velocity of the motor.

NOTE:

Values for positions, velocities, acceleration and deceleration are specified in the following user-defined unit:

- `usr_p` for positions
- `usr_v` for velocities
- `usr_a` for acceleration and deceleration

Parameter name HMI menu HMI name	Description	Unit Minimum value Factory setting Maximum value	Data type R/W Persistent Expert	Parameter address via fieldbus
CTRL_v_max CONF → drC - nPRX	<p>Velocity limitation. During operation, the velocity limit is one of the following values (whichever is lowest):</p> <ul style="list-style-type: none"> - <code>CTRL_v_max</code> - M_{n_max} - Velocity limitation via analog input (module IOM1) - Velocity limitation via digital input <p>Modified settings become active immediately.</p>	<code>usr_v</code> 1 13200 2147483647	UINT32 R/W per. -	CANopen 3011:10h Modbus 4384 Profibus 4384 CIP 117.1.16 ModbusTCP 4384 EtherCAT 3011:10h PROFINET 4384

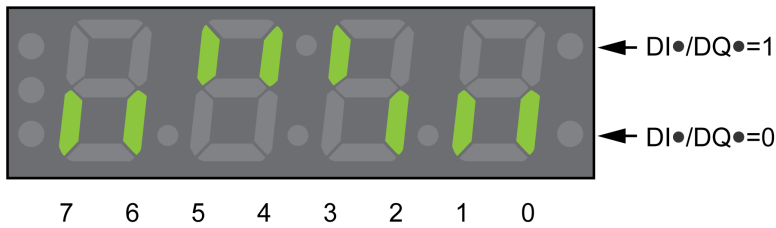
Digital Inputs and Outputs

The device has configurable inputs and configurable outputs. See chapter Digital Inputs and Outputs (*see page 221*) for additional information.

The signal states of the digital inputs and digital outputs can be displayed on the HMI and via the fieldbus.

Integrated HMI

The signal states can be displayed on the integrated HMI, but they cannot be modified.



Inputs (parameter `_IO_DI_act`):

- Open the menu item *- П о н → д и П о*.
The digital inputs are displayed in a bit-coded way.

Bit	Signal
0	DI0
1	DI1
2	DI2
3	DI3
4	DI4
5	DI5
6 ... 7	-

The parameter `_IO_DI_act` does not display the states of the inputs of the safety function STO. Use the parameter `_IO_STO_act` to visualize the states of the inputs of the safety function STO.

Outputs (parameter `_IO_DQ_act`):

- Open the menu item *- П о н → д о П о*.
The digital outputs are displayed in a bit-coded way.

Bit	Signal
0	DQ0
1	DQ1
2	DQ2
3 ... 7	-

Fieldbus

The signal states are contained in the parameter `_IO_act` in a bit-coded way. The values "1" and "0" correspond to the signal state of the input or output.

Parameter name HMI menu HMI name	Description	Unit Minimum value Factory setting Maximum value	Data type R/W Persistent Expert	Parameter address via fieldbus
_IO_act	Physical status of the digital inputs and outputs. Low byte: Bit 0: DI0 Bit 1: DI1 Bit 2: DI2 Bit 3: DI3 Bit 4: DI4 Bit 5: DI5 High byte: Bit 8: DQ0 Bit 9: DQ1 Bit 10: DQ2	- - - -	UINT16 R/- - -	CANopen 3008:1 _h Modbus 2050 Profibus 2050 CIP 108.1.1 ModbusTCP 2050 EtherCAT 3008:1 _h PROFINET 2050
_IO_DI_act П о н д и л о	Status of digital inputs. Bit assignments: Bit 0: DI0 Bit 1: DI1 Bit 2: DI2 Bit 3: DI3 Bit 4: DI4 Bit 5: DI5	- - - -	UINT16 R/- - -	CANopen 3008:F _h Modbus 2078 Profibus 2078 CIP 108.1.15 ModbusTCP 2078 EtherCAT 3008:F _h PROFINET 2078
_IO_DQ_act П о н д о л о	Status of digital outputs. Bit assignments: Bit 0: DQ0 Bit 1: DQ1 Bit 2: DQ2	- - - -	UINT16 R/- - -	CANopen 3008:10 _h Modbus 2080 Profibus 2080 CIP 108.1.16 ModbusTCP 2080 EtherCAT 3008:10 _h PROFINET 2080
_IO_STO_act П о н С т о	Status of the inputs for the safety-related function STO. Bit 0: STO_A Bit 1: STO_B If no safety module eSM is plugged in, this parameter indicates the status of the signal inputs STO_A and STO_B. If a safety module eSM is plugged in, the safety function STO can be triggered via the signal inputs or via the safety module eSM. This parameter indicates whether or not the safety function STO was triggered (regardless of whether it was triggered via the signal inputs or via the safety module eSM).	- - - -	UINT16 R/- - -	CANopen 3008:26 _h Modbus 2124 Profibus 2124 CIP 108.1.38 ModbusTCP 2124 EtherCAT 3008:26 _h PROFINET 2124

Verifying the Signals of the Limit Switches

The use of limit switches can help protect against some hazards (for example, collision with mechanical stop caused by incorrect reference values).

WARNING

LOSS OF CONTROL

- Ensure that limit switches are installed as determined by your risk assessment.
- Verify correct connection of the limit switches.
- Verify that the limit switches are sufficiently distant from the mechanical end to allow an adequate stopping distance.
- Verify correct parameterization and function of the limit switches.

Failure to follow these instructions can result in death, serious injury, or equipment damage.

- Set up the limit switches in such a way as to keep the motor from overtraveling the limit switches.
- Trigger the limit switches manually.
If an error message is indicated, the limit switches were triggered.

Parameters can be used to release the limit switches and to set them up as normally closed contacts or normally open contacts, see chapter Limit Switches ([see page 377](#)).

Verifying the Safety Function STO

Operation with Safety Function STO

If you want to use the safety function STO, carry out the following steps:

- To help avoid unintended restart after restoration of power, the parameter `IO_AutoEnable` must be set to "off". Verify that the parameter `IO_AutoEnable` is set to "off".

HMI: `conF → RC → IOAE`.

Power off the power stage supply and the 24 Vdc control supply:

- Verify that the signal wires at the inputs (`STO_A`) and (`STO_B`) are isolated from each other. The two signal wires must not be electrically connected.

Power on the power stage supply and the 24 Vdc control supply:

- Enable the power stage without starting a motor movement.
- Trigger the safety function STO.
 - If the power stage is now disabled and the error message 1300 is indicated, the safety function STO was triggered.
 - If a different error message is indicated, the safety function STO was not triggered.
- Document all tests of the safety function in your acceptance protocol.

Operation without Safety Function STO


If you do not want to use the safety function STO:

- Verify that the inputs `STO_A` and `STO_B` are connected to +24VDC.

Holding Brake (Option)

Holding Brake

The holding brake in the motor has the task of holding the motor position when the power stage is disabled. The holding brake is not a safety function and not a service brake.

 **WARNING**

UNINTENDED AXIS MOVEMENT

- Do not use the internal holding brake as a safety-related measure.
- Only use certified external brakes as safety-related measures.

Failure to follow these instructions can result in death, serious injury, or equipment damage.

Releasing the Holding Brake

When the power stage is enabled, current is applied to the motor. When current is applied to the motor, the holding brake is automatically released.

Releasing the holding brake requires a certain amount of time. This time is contained in the electronic nameplate of the motor. Transition to the operating state **6 Operation Enabled** is only possible after this time delay has elapsed.

An additional time delay can be set via parameters, see chapter Additional Time Delay for Releasing the Holding Brake (*see page 166*).

Applying the Holding Brake

When the power stage is disabled, the holding brake is automatically applied.

However, applying the holding brake requires a certain amount of time. This time is contained in the electronic nameplate of the motor. Current remains to be applied to the motor during this time delay.

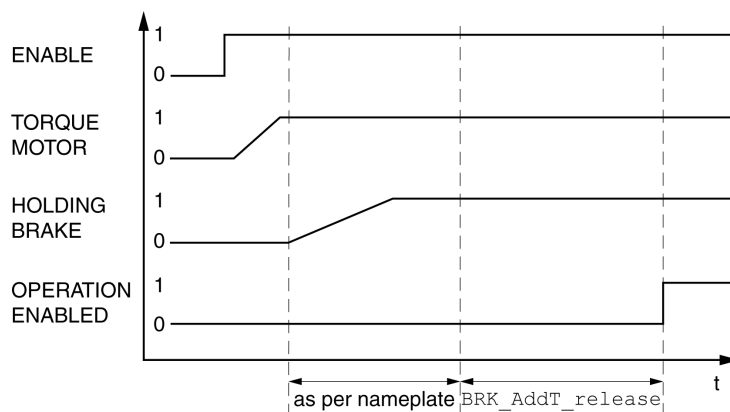
See chapter Safety function STO ("Safe Torque Off") (*see page 86*) for additional information on the behavior of the holding brake when the safety function STO is triggered.

An additional time delay can be set via parameters, see chapter Additional Time Delay for Applying the Holding Brake (*see page 167*).

Additional Time Delay for Releasing the Holding Brake

An additional time delay can be set via the parameter `BRK_AddT_release`.

Transition to the operating state **6 Operation Enabled** is only possible after the entire time delay has elapsed.

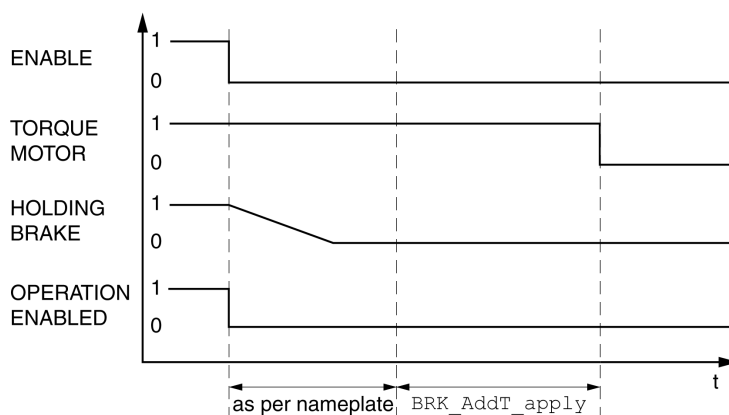


Parameter name HMI menu HMI name	Description	Unit Minimum value Factory setting Maximum value	Data type R/W Persistent Expert	Parameter address via fieldbus
BRK_AddT_release	Additional time delay for releasing the holding brake. The overall time delay for releasing the holding brake is the time delay from the electronic nameplate of the motor and the additional time delay in this parameter. Setting can only be modified if power stage is disabled. Modified settings become active the next time the power stage is enabled.	ms 0 0 400	INT16 R/W per. -	CANopen 3005:7 _h Modbus 1294 Profibus 1294 CIP 105.1.7 ModbusTCP 1294 EtherCAT 3005:7 _h PROFINET 1294

Additional Time Delay for Applying the Holding Brake

An additional time delay can be set via the parameter BRK_AddT_apply.

Current continues to be applied to the motor until the entire time delay has passed.



Parameter name HMI menu HMI name	Description	Unit Minimum value Factory setting Maximum value	Data type R/W Persistent Expert	Parameter address via fieldbus
BRK_AddT_apply	Additional time delay for applying the holding brake. The overall time delay for applying the holding brake is the time delay from the electronic nameplate of the motor and the additional time delay in this parameter. Setting can only be modified if power stage is disabled. Modified settings become active the next time the power stage is enabled.	ms 0 0 1000	INT16 R/W per. -	CANopen 3005:8 _h Modbus 1296 Profibus 1296 CIP 105.1.8 ModbusTCP 1296 EtherCAT 3005:8 _h PROFINET 1296

Verifying the Function of the Holding Brake

The device is in the operating state "Ready to switch on".

Step	Action
1	Start the operating mode Jog (HMI: $\square P \rightarrow J \square G \rightarrow J G S E$). The power stage is enabled and the holding brake released. The HMI displays $J G -$.
2	If the holding brake has been released, hold down the navigation button. Then press ESC. As long as the navigation button is held down, the motor moves. When you press ESC, the holding brake is applied again and the power stage is disabled.
3	If the holding brake is not released, press ESC. When you press ESC, the power stage is disabled.
4	Verify the wiring if the behavior of the holding brake is not correct.

Releasing the Holding Brake Manually

Mechanical adjustments may require you to manually rotate the motor shaft.

Manual release of the holding brake is only possible in the operating states **3 Switch On Disabled**, **4 Ready To Switch On** or **9 Fault**.

When the product is operated for the first time, there is a risk of unanticipated movements caused by, for example, incorrect wiring or unsuitable parameter settings. Releasing the holding brake can cause an unintended movement, for example, a falling load in the case of vertical axes.

⚠ WARNING
UNINTENDED MOVEMENT <ul style="list-style-type: none">• Verify that there are no persons or obstructions in the zone of operation when operating the system.• Take appropriate measures to avoid hazards caused by falling or lowering loads or other unintended movements.• Run initial tests without coupled loads.• Verify that a functioning emergency stop push-button is within reach of all persons involved in running tests.• Anticipate movements in unintended directions or oscillations of the motor. Failure to follow these instructions can result in death, serious injury, or equipment damage.

As of firmware version $\geq V01.12$, you can manually release the holding brake.

Applying the Holding Brake Manually

For testing the holding brake, you may want to manually apply the holding brake.

You can only apply the holding brake manually when the motor is at a standstill.

If you enable the power stage after the holding brake has been applied manually, the holding brake remains applied.

Manual application of the holding brake has priority over automatic and manual release of the holding brake.

If a movement is started after the holding brake has been applied manually, this can cause wear.

NOTICE
BRAKE WEAR AND LOSS OF BRAKING TORQUE <ul style="list-style-type: none">• Verify that the generated motor torque is not greater than the holding torque of the holding brake if you have applied the holding brake manually.• Only apply the holding brake manually for the purpose of testing the holding brake. Failure to follow these instructions can result in equipment damage.

As of firmware version $\geq V01.20$, you can manually apply the holding brake.

Releasing the Holding Brake Manually via a Signal Input

In order to release the holding brake via a signal input, you must first parameterize the signal input function "Release Holding Brake", see chapter Digital Inputs and Outputs (*see page 221*).

Releasing or Applying the Holding Brake Manually via the Fieldbus

The parameter `BRK_release` can be used to release the holding brake via the fieldbus.

Parameter name HMI menu HMI name	Description	Unit Minimum value Factory setting Maximum value	Data type R/W Persistent Expert	Parameter address via fieldbus
BRK_release	<p>Manual operation of the holding brake.</p> <p>0 / Automatic: Automatic processing</p> <p>1 / Manual Release: Manual release of holding brake</p> <p>2 / Manual Application: Manual applying of holding brake</p> <p>You can apply or release the holding brake manually.</p> <p>The holding brake can only be manually released in the operating states 'Switch On Disabled', 'Ready To Switch On' or 'Fault'.</p> <p>If you have applied the holding brake manually and then want to release it manually, you must first set this parameter to Automatic and then to Manual Release.</p> <p>Modified settings become active immediately.</p> <p>Available with firmware version \geqV01.12.</p>	- 0 0 2	UINT16 R/W - -	CANopen 3008:A _h Modbus 2068 Profibus 2068 CIP 108.1.10 ModbusTCP 2068 EtherCAT 3008:A _h PROFINET 2068

Verifying the Direction of Movement

Definition of Direction of Movement

In the case of a rotary motors, direction of movement is defined in accordance with IEC 61800-7-204: Positive direction is when the motor shaft rotates clockwise as you look at the end of the protruding motor shaft.

It is important to maintain the IEC 61800-7-204 directional standard within your application because many motion-related function blocks, programming conventions, and, safety-related and conventional devices expect this underlying assumption within their logic and operational methodologies.

 **WARNING**

UNINTENDED MOVEMENT CAUSED BY INTERCHANGED MOTOR PHASES

Do not interchange the motor phases.

Failure to follow these instructions can result in death, serious injury, or equipment damage.

If your application requires an inversion of the direction of movement, you can parameterize the direction of movement.

The direction of movement can be verified by starting a movement.

Verifying the Direction of Movement

Power supply has been powered on.

- Start the operating mode Jog. (HMI: **OP** → **JOG** → **JOGSt**)
The HMI displays **JG -**.

Movement in positive direction:

- Press the navigation button and hold it down.
A movement is made in positive direction.

Movement in negative direction:

- Turn the navigation button until the HMI displays **- JG**.
- Press the navigation button and hold it down.
A movement is made in negative direction.

Changing the Direction of Movement

You can invert the direction of movement.

- Inversion of direction of movement is off:
Movements are made in positive direction with positive target values.
- Inversion of direction of movement is on:
Movements are made in positive direction with negative target values.

The parameter `InvertDirOfMove` allows you to invert the direction of movement.

Parameter name HMI menu HMI name	Description	Unit Minimum value Factory setting Maximum value	Data type R/W Persistent Expert	Parameter address via fieldbus
<code>InvertDirOfMove</code> CONF → ACG - inpo	Inversion of direction of movement. 0 / Inversion Off / OFF : Inversion of direction of movement is off 1 / Inversion On / ON : Inversion of direction of movement is on The limit switch which is reached with a movement in positive direction must be connected to the positive limit switch input and vice versa. Setting can only be modified if power stage is disabled. Modified settings become active the next time the product is powered on.	- 0 0 1	UINT16 R/W per. -	CANopen 3006:C _h Modbus 1560 Profibus 1560 CIP 106.1.12 ModbusTCP 1560 EtherCAT 3006:C _h PROFINET 1560

Setting Parameters for Encoder

When starting up, the device reads the absolute position of the motor from the encoder. The absolute position can be read with the parameter `_p_absENC`.

NOTE:

Values for positions, velocities, acceleration and deceleration are specified in the following user-defined unit:

- `usr_p` for positions
- `usr_v` for velocities
- `usr_a` for acceleration and deceleration

Parameter name HMI menu HMI name	Description	Unit Minimum value Factory setting Maximum value	Data type R/W Persistent Expert	Parameter address via fieldbus
<code>_p_absENC</code> <i>П а н</i> <i>Р а н</i>	Absolute position with reference to the encoder range. This value corresponds to the modulo position of the absolute encoder range. The value is no longer valid if the gear ratio of machine encoder and motor encoder is changed. A restart is required in such a case.	<code>usr_p</code> - - -	UINT32 R/- - -	CANopen 301E:F _h Modbus 7710 Profibus 7710 CIP 130.1.15 ModbusTCP 7710 EtherCAT 301E:F _h PROFINET 7710

Working Range of the Encoder

The working range of the singleturn encoder is 131072 increments per turn.

The working range of the multiturn encoder is 4096 turns with 131072 increments per turn.

Underrun of Absolute Position

If a rotary motor performs a movement from 0 into negative direction, there is an underrun of the absolute position of the encoder. However, the actual position keeps counting forward and delivers a negative position value. After a power cycle, the actual position no longer corresponds to the negative position value, but to the absolute position of the encoder.

The following options are available to adjust the absolute position of the encoder:

- Adjustment of the absolute position
- Shifting the working range

Adjustment of the Absolute Position

When the motor is at a standstill, the new absolute position of the motor can be set to the current mechanical motor position with the parameter `ENC1_adjustment`.

Adjusting the absolute position also shifts the position of the index pulse.

The absolute position of an encoder at encoder 2 (module) can be adjusted via the parameter `ENC2_adjustment`.

- Set the absolute position at the negative mechanical limit to a position value greater than 0. This way, the movements remain within the continuous range of the encoder.

Parameter name HMI menu HMI name	Description	Unit Minimum value Factory setting Maximum value	Data type R/W Persistent Expert	Parameter address via fieldbus
ENC1_adjustment	<p>Adjustment of absolute position of encoder 1. The value range depends on the encoder type.</p> <p>Singleturn encoder: 0 ... x-1</p> <p>Multiturn encoder: 0 ... (4096*x)-1</p> <p>Singleturn encoder (shifted with parameter ShiftEncWorkRang): -(x/2) ... (x/2)-1</p> <p>Multiturn encoder (shifted with parameter ShiftEncWorkRang): -(2048*x) ... (2048*x)-1</p> <p>Definition of 'x': Maximum position for one encoder turn in user-defined units. This value is 16384 with the default scaling.</p> <p>If processing is to be performed with inversion of the direction of movement, this must be set before the encoder position is adjusted.</p> <p>After the write access, a wait time of at least 1 second is required before the drive can be powered off.</p> <p>Modified settings become active the next time the product is powered on.</p>	<p>usr_p</p> <p>-</p> <p>-</p> <p>-</p>	<p>INT32</p> <p>R/W</p> <p>-</p> <p>-</p>	<p>CANopen 3005:16_h</p> <p>Modbus 1324</p> <p>Profibus 1324</p> <p>CIP 105.1.22</p> <p>ModbusTCP 1324</p> <p>EtherCAT 3005:16_h</p> <p>PROFINET 1324</p>

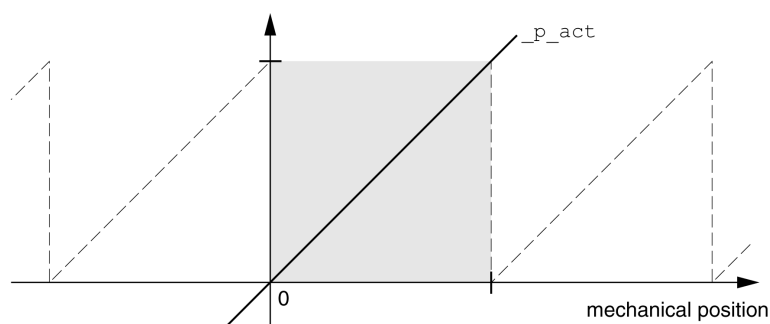
Parameter name HMI menu HMI name	Description	Unit Minimum value Factory setting Maximum value	Data type R/W Persistent Expert	Parameter address via fieldbus
ENC2_adjustment	<p>Adjustment of absolute position of encoder 2. The value range depends on the encoder type at the physical port ENC2.</p> <p>This parameter can only be changed if the parameter ENC_abs_source is set to 'Encoder 2'.</p> <p>Singleturn encoder: 0 ... x-1</p> <p>Multiturn encoder: 0 ... (y*x)-1</p> <p>Singleturn encoder (shifted with parameter ShiftEncWorkRang): -(x/2) ... (x/2)-1</p> <p>Multiturn encoder (shifted with parameter ShiftEncWorkRang): -(y/2)*x ... ((y/2)*x)-1</p> <p>Definition of 'x': Maximum position for one encoder turn in user-defined units. This value is 16384 with the default scaling. Definition of 'y': Revolutions of the multiturn encoder.</p> <p>If processing is to be performed with inversion of the direction of movement, this must be set before the encoder position is adjusted. After the write access, the parameter values have to be saved to the nonvolatile memory and the drive has to be powered off, before the change becomes active. Modified settings become active the next time the product is powered on. Available with firmware version \geqV01.01.</p>	usr_p - - -	INT32 R/W - -	CANopen 3005:24 _h Modbus 1352 Profibus 1352 CIP 105.1.36 ModbusTCP 1352 EtherCAT 3005:24 _h PROFINET 1352

Shifting the Working Range

The parameter `ShiftEncWorkRang` lets you shift the working range.

The working range without shift comprises:

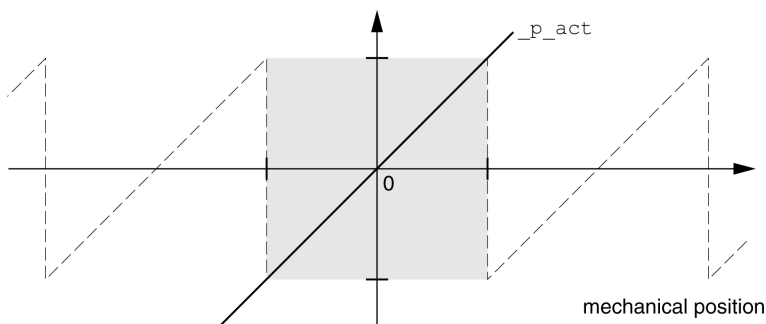
Singleturn encoder	0 ... 131071 increments
Multiturn encoder	0 ... 4095 revolutions



The working range with shift comprises:

Singleturn encoder	-65536 ... 65535 increments
--------------------	-----------------------------

Multiturn encoder	-2048 ... 2047 revolutions
-------------------	----------------------------




Parameter name HMI menu HMI name	Description	Unit Minimum value Factory setting Maximum value	Data type R/W Persistent Expert	Parameter address via fieldbus
ShiftEncWorkRang	<p>Shifting of the encoder working range.</p> <p>0 / Off: Shifting off 1 / On: Shifting on</p> <p>After activating the shifting function, the position range of a multiturn encoder is shifted by one half of the range.</p> <p>Example for the position range of a multiturn encoder with 4096 revolutions:</p> <p>Value 0: Position values are between 0 ... 4096 revolutions.</p> <p>Value 1: Position values are between -2048 ... 2048 revolutions.</p> <p>Modified settings become active the next time the product is powered on.</p>	- 0 0 1	UINT16 R/W per. -	CANopen 3005:21 _h Modbus 1346 Profibus 1346 CIP 105.1.33 ModbusTCP 1346 EtherCAT 3005:21 _h PROFINET 1346


Setting the Braking Resistor Parameters

Description

An insufficiently rated braking resistor can cause overvoltage on the DC bus. Overvoltage on the DC bus causes the power stage to be disabled. The motor is no longer actively decelerated.

 WARNING
<p>UNINTENDED EQUIPMENT OPERATION</p> <ul style="list-style-type: none"> • Verify that the braking resistor has a sufficient rating by performing a test run under maximum load conditions. • Verify that the parameter settings for the braking resistor are correct. <p>Failure to follow these instructions can result in death, serious injury, or equipment damage.</p>

The temperature of the braking resistor may exceed 250 °C (482 °F) during operation.

 WARNING
<p>HOT SURFACES</p> <ul style="list-style-type: none"> • Ensure that it is not possible to make any contact with a hot braking resistor. • Do not allow flammable or heat-sensitive parts in the immediate vicinity of the braking resistor. • Verify that the heat dissipation is sufficient by performing a test run under maximum load conditions. <p>Failure to follow these instructions can result in death, serious injury, or equipment damage.</p>

If you use an external braking resistor, perform the following steps:

- Set the parameter `RESint_ext` to "External Braking Resistor".
- Set the parameters `RESext_P`, `RESext_R` and `RESext_ton`.

The maximum value of `RESext_P` and the minimum value of `RESext_R` depend on the power stage, see chapter External Braking Resistor ([see page 51](#)).

See chapter Rating the Braking Resistor ([see page 80](#)) for additional information.

If the regenerated power becomes greater than the power that can be absorbed by the braking resistor, an error message is generated and the power stage is disabled.

Parameter name HMI menu HMI name	Description	Unit Minimum value Factory setting Maximum value	Data type R/W Persistent Expert	Parameter address via fieldbus
<code>RESint_ext</code> <code>CONF → ACC -</code> <code>Eibr</code>	Selection of type of braking resistor. 0 / Internal Braking Resistor / int : Internal braking resistor 1 / External Braking Resistor / Eht : External braking resistor 2 / Reserved / r5vd : Reserved Setting can only be modified if power stage is disabled. Modified settings become active the next time the power stage is enabled.	- 0 0 2	UINT16 R/W per. -	CANopen 3005:9 _h Modbus 1298 Profibus 1298 CIP 105.1.9 ModbusTCP 1298 EtherCAT 3005:9 _h PROFINET 1298
<code>RESext_P</code> <code>CONF → ACC -</code> <code>Pabr</code>	Nominal power of external braking resistor. The maximum value depends on the power stage. Setting can only be modified if power stage is disabled. Modified settings become active the next time the power stage is enabled.	W 1 10 -	UINT16 R/W per. -	CANopen 3005:12 _h Modbus 1316 Profibus 1316 CIP 105.1.18 ModbusTCP 1316 EtherCAT 3005:12 _h PROFINET 1316

Parameter name HMI menu HMI name	Description	Unit Minimum value Factory setting Maximum value	Data type R/W Persistent Expert	Parameter address via fieldbus
RESext_R CONF → ACC- rbr	Resistance value of external braking resistor. The minimum value depends on the power stage. In increments of 0.01 Ω. Setting can only be modified if power stage is disabled. Modified settings become active the next time the power stage is enabled.	Ω - 100.00 327.67	UINT16 R/W per. -	CANopen 3005:13 _h Modbus 1318 Profibus 1318 CIP 105.1.19 ModbusTCP 1318 EtherCAT 3005:13 _h PROFINET 1318
RESext_ton CONF → ACC- tbr	Maximum permissible switch-on time of external braking resistor. Setting can only be modified if power stage is disabled. Modified settings become active the next time the power stage is enabled.	ms 1 1 30000	UINT16 R/W per. -	CANopen 3005:11 _h Modbus 1314 Profibus 1314 CIP 105.1.17 ModbusTCP 1314 EtherCAT 3005:11 _h PROFINET 1314

Autotuning

Autotuning

Autotuning moves the motor in order to tune the control loops. Incorrect parameters may cause unintended movements or the loss of monitoring functions.

WARNING

UNINTENDED MOVEMENT

- Only start the system if there are no persons or obstructions in the zone of operation.
- Verify that the values for the parameters `AT_dir` and `AT_dis_usr` (`AT_dis`) do not exceed the available movement range.
- Verify that the parameterized movement ranges are available, free and clear for the mechanical movement defined by your application logic.
- Include in your calculations when determining the available movement range the additional distance for the deceleration ramp in the case of an emergency stop.
- Verify that the parameter settings for a Quick Stop are correct.
- Verify correct operation of the limit switches.
- Verify that a functioning emergency stop push-button is within reach of all persons involved in all phases of machine operation and maintenance involving this equipment.

Failure to follow these instructions can result in death, serious injury, or equipment damage.

Autotuning determines the friction torque as a constantly acting load torque and considers it in the calculation of the moment of inertia of the entire system.

External factors such as a load at the motor are considered. Autotuning optimizes the settings of the control loop parameters; see chapter Controller Optimization with Step Response (*see page 181*).

Autotuning also supports vertical axes.

Methods

There are three ways of tuning the drive control loops:

- Easy Tuning: Automatic - autotuning without user intervention. For most applications, autotuning yields good, highly dynamic results.
- Comfort Tuning: Semi-automatic - autotuning with user intervention. Parameters for direction and parameters for damping can be set by the user.
- Manual Tuning: The user can set and tune the control loop parameters manually. Manual Tuning is available in the Expert Mode of the commissioning software.

Function

During autotuning, the motor is activated and small movements are made. Noise development and mechanical oscillations of the system are normal.

If you want to perform Easy Tuning, no additional parameters need to be adjusted. To perform Comfort Tuning, the parameters `AT_dir`, `AT_dis_usr` and `AT_mechanics` are available to be adjusted to meet the requirements of your application.

The parameter `AT_Start` is used to start Easy Tuning or Comfort Tuning.

- Start autotuning via the commissioning software.
It is also possible to start autotuning via the HMI.
HMI: `oP` → `tun` → `tut`
 - Save the new settings to the nonvolatile memory via the commissioning software.
If you have started autotuning via the HMI, press the navigation button to save the new values to the nonvolatile memory.
The product features 2 control loop parameter sets that can be parameterized separately. The values for the control loop parameters determined during autotuning are stored in control loop parameter set 1.
- If autotuning cancels with an error message, the default values are used. Change the mechanical position and restart autotuning. If you want to verify the plausibility of the calculated values, you can have them displayed; see chapter Enhanced Settings for Autotuning (*see page 179*).

Parameter name HMI menu HMI name	Description	Unit Minimum value Factory setting Maximum value	Data type R/W Persistent Expert	Parameter address via fieldbus
AT_dir o P → t u n - S t , n	<p>Direction of movement for Autotuning.</p> <p>1 / Positive Negative Home / P n h: Positive direction first, then negative direction with return to initial position</p> <p>2 / Negative Positive Home / n P h: Negative direction first, then positive direction with return to initial position</p> <p>3 / Positive Home / P - h: Positive direction only with return to initial position</p> <p>4 / Positive / P - -: Positive direction only without return to initial position</p> <p>5 / Negative Home / n - h: Negative direction only with return to initial position</p> <p>6 / Negative / n - -: Negative direction only without return to initial position</p> <p>Modified settings become active the next time the motor moves.</p>	- 1 1 6	UINT16 R/W - -	CANopen 302F:4 _h Modbus 12040 Profibus 12040 CIP 147.1.4 ModbusTCP 12040 EtherCAT 302F:4 _h PROFINET 12040
AT_dis_usr	<p>Movement range for Autotuning.</p> <p>Movement range within which the control parameters are automatically optimized. The movement range is entered with reference to the actual position.</p> <p>In the case of "Movement in one direction only" (Parameter AT_dir), the specified range is used for each optimization step. The movement typically corresponds to 20 times the value, but it is not limited.</p> <p>The minimum value, the factory setting and the maximum value depend on the scaling factor.</p> <p>Modified settings become active the next time the motor moves.</p> <p>Available with firmware version ≥V01.03.</p>	usr_p 1 32768 2147483647	INT32 R/W - -	CANopen 302F:12 _h Modbus 12068 Profibus 12068 CIP 147.1.18 ModbusTCP 12068 EtherCAT 302F:12 _h PROFINET 12068
AT_mechanical	<p>Type of coupling of the system.</p> <p>1 / Direct Coupling: Direct coupling</p> <p>2 / Belt Axis: Belt axis</p> <p>3 / Spindle Axis: Spindle axis</p> <p>Modified settings become active the next time the motor moves.</p>	- 1 2 3	UINT16 R/W - -	CANopen 302F:E _h Modbus 12060 Profibus 12060 CIP 147.1.14 ModbusTCP 12060 EtherCAT 302F:E _h PROFINET 12060
AT_start	<p>Autotuning start.</p> <p>Value 0: Terminate</p> <p>Value 1: Activate EasyTuning</p> <p>Value 2: Activate ComfortTuning</p> <p>Modified settings become active immediately.</p>	- 0 - 2	UINT16 R/W - -	CANopen 302F:1 _h Modbus 12034 Profibus 12034 CIP 147.1.1 ModbusTCP 12034 EtherCAT 302F:1 _h PROFINET 12034

Enhanced Settings for Autotuning

Description

The following parameters allow you to monitor and influence autotuning.

The parameters `AT_state` and `AT_progress` allow you to monitor the progress and status of autotuning.

Parameter name HMI menu HMI name	Description	Unit Minimum value Factory setting Maximum value	Data type R/W Persistent Expert	Parameter address via fieldbus
<code>_AT_state</code>	Autotuning status. Bit assignments: Bits 0 ... 10: Last processing step Bit 13: <code>auto_tune_process</code> Bit 14: <code>auto_tune_end</code> Bit 15: <code>auto_tune_err</code>	- - - -	UINT16 R/- - -	CANopen 302F:2 _h Modbus 12036 Profibus 12036 CIP 147.1.2 ModbusTCP 12036 EtherCAT 302F:2 _h PROFINET 12036
<code>_AT_progress</code>	Progress of Autotuning.	% 0 0 100	UINT16 R/- - -	CANopen 302F:B _h Modbus 12054 Profibus 12054 CIP 147.1.11 ModbusTCP 12054 EtherCAT 302F:B _h PROFINET 12054

If, in a test run, you want to determine the effects of harder or softer settings of the control loop parameters on your system, you can write the parameter `CTRL_GlobGain` to modify the settings determined during autotuning. The parameter `_AT_J` allows you to read the moment of inertia of the entire system calculated during autotuning.

Parameter name HMI menu HMI name	Description	Unit Minimum value Factory setting Maximum value	Data type R/W Persistent Expert	Parameter address via fieldbus
<code>CTRL_GlobGain</code> <i>oP → t u n -</i> <i>G A i n</i>	Global gain factor (affects control loop parameter set 1). The global gain factor affects the following parameters of control loop parameter set 1: - <code>CTRL_KPn</code> - <code>CTRL_TNn</code> - <code>CTRL_KPp</code> - <code>CTRL_TAUref</code> The global gain factor is set to 100% - if the control loop parameters are set to default - at the end of the Autotuning process - if control loop parameter set 2 is copied to set 1 via the parameter <code>CTRL_ParSetCopy</code> If a full configuration is transmitted via the fieldbus, the value for <code>CTRL_GlobGain</code> must be transmitted prior to the values of the control loop parameters <code>CTRL_KPn</code> , <code>CTRL_TNn</code> , <code>CTRL_KPp</code> and <code>CTRL_TAUref</code> . If <code>CTRL_GlobGain</code> is changed during a configuration transmission, <code>CTRL_KPn</code> , <code>CTRL_TNn</code> , <code>CTRL_KPp</code> and <code>CTRL_TAUref</code> must also be part of the configuration. In increments of 0.1 %. Modified settings become active immediately.	% 5.0 100.0 1000.0	UINT16 R/W per. -	CANopen 3011:15 _h Modbus 4394 Profibus 4394 CIP 117.1.21 ModbusTCP 4394 EtherCAT 3011:15 _h PROFINET 4394

Parameter name HMI menu HMI name	Description	Unit Minimum value Factory setting Maximum value	Data type R/W Persistent Expert	Parameter address via fieldbus
_AT_M_friction	Friction torque of the system. Is determined during Autotuning. In increments of 0.01 A_{rms} .	A_{rms} - - -	UINT16 R/- - -	CANopen 302F:7 _h Modbus 12046 Profibus 12046 CIP 147.1.7 ModbusTCP 12046 EtherCAT 302F:7 _h PROFINET 12046
_AT_M_load	Constant load torque. Is determined during Autotuning. In increments of 0.01 A_{rms} .	A_{rms} - - -	INT16 R/- - -	CANopen 302F:8 _h Modbus 12048 Profibus 12048 CIP 147.1.8 ModbusTCP 12048 EtherCAT 302F:8 _h PROFINET 12048
_AT_J	Moment of inertia of the system. Is automatically calculated during Autotuning. In increments of 0.1 $kg\ cm^2$.	$kg\ cm^2$ 0.1 0.1 6553.5	UINT16 R/- per. -	CANopen 302F:C _h Modbus 12056 Profibus 12056 CIP 147.1.12 ModbusTCP 12056 EtherCAT 302F:C _h PROFINET 12056

The parameter `AT_wait` lets you set a waiting time between the individual autotuning steps. Setting a waiting time is only useful in the case of a low-rigidity coupling, in particular so if the next autotuning step (changing the hardness) is already performed while the system is still settling.

Parameter name HMI menu HMI name	Description	Unit Minimum value Factory setting Maximum value	Data type R/W Persistent Expert	Parameter address via fieldbus
AT_wait	Waiting time between Autotuning steps. Modified settings become active the next time the motor moves.	ms 300 500 10000	UINT16 R/W - -	CANopen 302F:9 _h Modbus 12050 Profibus 12050 CIP 147.1.9 ModbusTCP 12050 EtherCAT 302F:9 _h PROFINET 12050

Section 5.5

Controller Optimization with Step Response

What Is in This Section?

This section contains the following topics:

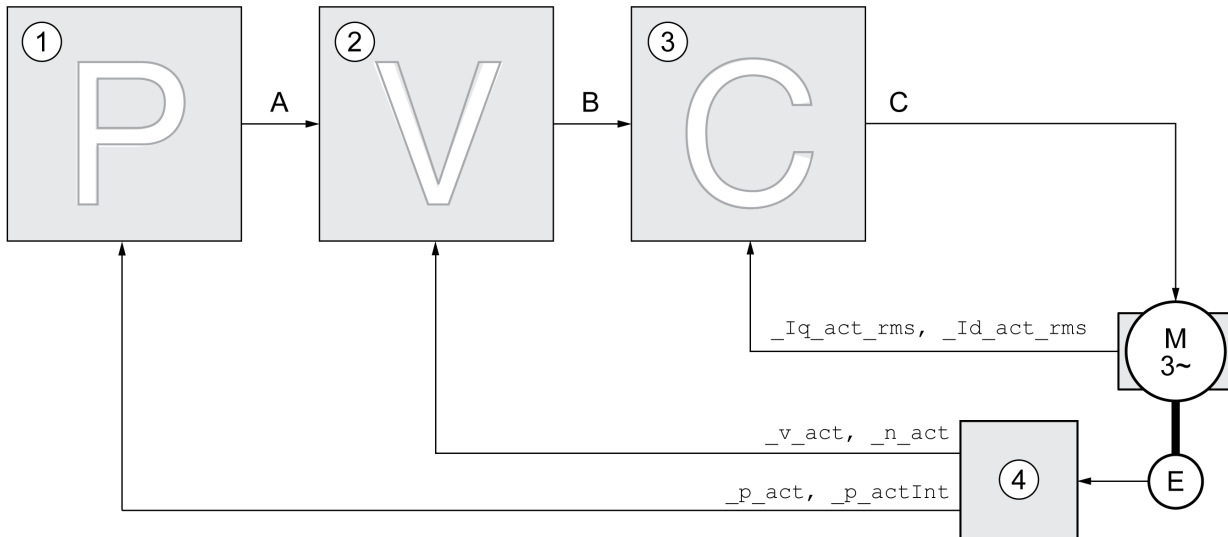
Topic	Page
Controller Structure	182
Optimization	184
Optimizing the Velocity Controller	185
Verifying and Optimizing the P Gain	189
Optimizing the Position Controller	190

Controller Structure

Overview

The controller structure corresponds to the classical cascaded closed loop with current controller, velocity controller and position controller. In addition, the reference value of the velocity controller can be smoothed via a filter.

The controllers are tuned one after the other from the "inside" to the "outside" in the following sequence: current control, velocity control, position control.



- 1 Position controller
- 2 Velocity controller
- 3 Current controller
- 4 Encoder evaluation

See chapter Overview of the Controller Structure ([see page 243](#)) for a detailed description of the controller structure.

Current Controller

The current controller determines the torque of the motor. The current controller is automatically optimally tuned with the stored motor data.

Velocity Controller

The velocity controller controls the motor velocity by varying the motor current depending on the load situation. The velocity controller has a decisive influence on the dynamic response of the drive. The dynamics of the velocity controller depend on:

- Moment of inertia of the drive and the controlled system
- Power of the motor
- Stiffness and elasticity of the elements in the flow of forces
- Backlash of the drive elements
- Friction

Position Controller

The position controller reduces the difference between the reference position and the actual position of the motor (position deviation) to a minimum. When the motor is at a standstill, the position deviation is close to zero in the case of a well-tuned position controller.

An optimized velocity control loop is a prerequisite for good amplification of the position controller.

Control Loop Parameters

This device allows you to use two control loop parameter sets. It is possible to switch from one set of control loop parameter sets to the other during operation. The active control loop parameter set is selected with the parameter `CTRL_SelParSet`.

The corresponding parameters are `CTRL1_xx` for the first control loop parameter set and `CTRL2_xx` for the second control loop parameter set. The following descriptions use the notation `CTRL1_xx` (`CTRL2_xx`) if there are no functional differences between the two control loop parameter sets.

Parameter name HMI menu HMI name	Description	Unit Minimum value Factory setting Maximum value	Data type R/W Persistent Expert	Parameter address via fieldbus
<code>CTRL_SelParSet</code>	Selection of control loop parameter set. Coding see parameter: <code>CTRL_PwrUpParSet</code> Modified settings become active immediately.	- 0 1 2	UINT16 R/W - -	CANopen 3011:19 _h Modbus 4402 Profibus 4402 CIP 117.1.25 ModbusTCP 4402 EtherCAT 3011:19 _h PROFINET 4402
<code>_CTRL_ActParSet</code>	Active control loop parameter set. Value 1: Control loop parameter set 1 is active Value 2: Control loop parameter set 2 is active A control loop parameter set is active after the time for the parameter switching (<code>CTRL_ParChgTime</code>) has elapsed.	- - - -	UINT16 R/- - -	CANopen 3011:17 _h Modbus 4398 Profibus 4398 CIP 117.1.23 ModbusTCP 4398 EtherCAT 3011:17 _h PROFINET 4398
<code>CTRL_ParChgTime</code>	Period of time for control loop parameter set switching. In the case of control loop parameter set switching, the values of the following parameters are changed gradually: - <code>CTRL_KPn</code> - <code>CTRL_TNn</code> - <code>CTRL_KPp</code> - <code>CTRL_TAUref</code> - <code>CTRL_TAUiref</code> - <code>CTRL_KFPp</code> Such a switching can be caused by - change of the active control loop parameter set - change of the global gain - change of any of the parameters listed above - deactivating the integral term of the velocity controller Modified settings become active immediately.	ms 0 0 2000	UINT16 R/W per. -	CANopen 3011:14 _h Modbus 4392 Profibus 4392 CIP 117.1.20 ModbusTCP 4392 EtherCAT 3011:14 _h PROFINET 4392

Optimization

The drive optimization function matches the device to the application conditions. The following options are available:

- Selecting control loops. Upstream control loops are automatically deactivated.
- Defining reference value signals: signal type, amplitude, frequency and starting point
- Testing control performance with the signal generator.
- Recording the control performance on screen and evaluating it with the commissioning software.

Setting Reference Value Signals

Start controller optimization with the commissioning software.

Set the following values for the reference value signal:

- Signal type: Step "positive"
- Amplitude: 100 RPM
- Cycle duration: 100 ms
- Number of repetitions: 1
- Start the trace.

Only the signal types "Step" and "Square" allow you to determine the entire dynamic behavior of a control loop. The manual shows signal paths for the signal type "Step".

Entering Values for Optimization

The optimization steps described on the following pages require you to enter control loop parameters and test their effect by triggering a step function.

A step function is triggered as soon as you start a trace in the commissioning software.

Control Loop Parameters

This device allows you to use two control loop parameter sets. It is possible to switch from one set of control loop parameter sets to the other during operation. The active control loop parameter set is selected with the parameter `CTRL_SelParSet`.

The corresponding parameters are `CTRL1_xx` for the first control loop parameter set and `CTRL2_xx` for the second control loop parameter set. The following descriptions use the notation `CTRL1_xx` (`CTRL2_xx`) if there are no functional differences between the two control loop parameter sets.

For details see chapter [Switching Between Control Loop Parameter Sets](#) (*see page 242*).

Optimizing the Velocity Controller

Optimizing complex mechanical control systems require hands-on experience with controller tuning. This includes the ability to calculate control loop parameters and to apply identification procedures.

Less complex mechanical systems can often be optimized by means of experimental adjustment using the aperiodic limit method. The following parameters are used for this:

Parameter name HMI menu HMI name	Description	Unit Minimum value Factory setting Maximum value	Data type R/W Persistent Expert	Parameter address via fieldbus
CTRL1_KPn CONF → drC - Pn1	Velocity controller P gain. The default value is calculated on the basis of the motor parameters. In the case of switching between the two control loop parameter sets, the values are changed linearly over the time defined in the parameter CTRL_ParChgTime. In increments of 0.0001 A/RPM. Modified settings become active immediately.	A/RPM 0.0001 - 2.5400	UINT16 R/W per. -	CANopen 3012:1 _h Modbus 4610 Profibus 4610 CIP 118.1.1 ModbusTCP 4610 EtherCAT 3012:1 _h PROFINET 4610
CTRL2_KPn CONF → drC - Pn2	Velocity controller P gain. The default value is calculated on the basis of the motor parameters. In the case of switching between the two control loop parameter sets, the values are changed linearly over the time defined in the parameter CTRL_ParChgTime. In increments of 0.0001 A/RPM. Modified settings become active immediately.	A/RPM 0.0001 - 2.5400	UINT16 R/W per. -	CANopen 3013:1 _h Modbus 4866 Profibus 4866 CIP 119.1.1 ModbusTCP 4866 EtherCAT 3013:1 _h PROFINET 4866
CTRL1_TNn CONF → drC - Ein1	Velocity controller integral action time. The default value is calculated. In the case of switching between the two control loop parameter sets, the values are changed linearly over the time defined in the parameter CTRL_ParChgTime. In increments of 0.01 ms. Modified settings become active immediately.	ms 0.00 - 327.67	UINT16 R/W per. -	CANopen 3012:2 _h Modbus 4612 Profibus 4612 CIP 118.1.2 ModbusTCP 4612 EtherCAT 3012:2 _h PROFINET 4612
CTRL2_TNn CONF → drC - Ein2	Velocity controller integral action time. The default value is calculated. In the case of switching between the two control loop parameter sets, the values are changed linearly over the time defined in the parameter CTRL_ParChgTime. In increments of 0.01 ms. Modified settings become active immediately.	ms 0.00 - 327.67	UINT16 R/W per. -	CANopen 3013:2 _h Modbus 4868 Profibus 4868 CIP 119.1.2 ModbusTCP 4868 EtherCAT 3013:2 _h PROFINET 4868

Verify and optimize the calculated values in a second step, see chapter Verifying and Optimizing the P Gain ([see page 189](#)).

Reference Value Filter of the Velocity Controller

The reference value filter of the velocity controller allows you to improve the transient response at optimized velocity control. The reference value filter must be deactivated for the first setup of the velocity controller.

- Deactivate the reference value filter of the velocity controller. Set the parameter CTRL1_TAUnref (CTRL2_TAUnref) to the lower limit value "0".

Parameter name HMI menu HMI name	Description	Unit Minimum value Factory setting Maximum value	Data type R/W Persistent Expert	Parameter address via fieldbus
CTRL1_TAU _{unref} CONF → drC- tRu1	Filter time constant of the reference velocity value filter. In the case of switching between the two control loop parameter sets, the values are changed linearly over the time defined in the parameter CTRL_ParChgTime. In increments of 0.01 ms. Modified settings become active immediately.	ms 0.00 9.00 327.67	UINT16 R/W per. -	CANopen 3012:4 _h Modbus 4616 Profibus 4616 CIP 118.1.4 ModbusTCP 4616 EtherCAT 3012:4 _h PROFINET 4616
CTRL2_TAU _{unref} CONF → drC- tRu2	Filter time constant of the reference velocity value filter. In the case of switching between the two control loop parameter sets, the values are changed linearly over the time defined in the parameter CTRL_ParChgTime. In increments of 0.01 ms. Modified settings become active immediately.	ms 0.00 9.00 327.67	UINT16 R/W per. -	CANopen 3013:4 _h Modbus 4872 Profibus 4872 CIP 119.1.4 ModbusTCP 4872 EtherCAT 3013:4 _h PROFINET 4872

Determining the Type of Mechanical System

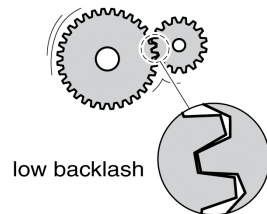
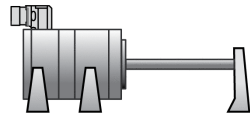
To assess and optimize the transient response behavior of your system, group its mechanical system into one of the following two categories.

- System with rigid mechanical system
- System with a less rigid mechanical system

Rigid and less rigid mechanical systems

Rigid mechanical system

low elasticity

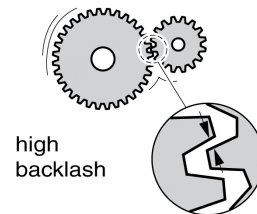
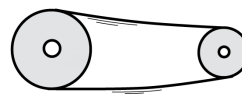


low backlash

e. g. Direct drive
Rigid coupling

Less rigid mechanical system

higher elasticity



high backlash

e. g. Belt drive
Weak drive shaft
Elastic coupling

Determining Values for Rigid Mechanical Systems

In the case of a rigid mechanical system, adjusting the control performance on the basis of the table is possible if:

- the moment of inertia of the load and of the motor are known and
- the moment of inertia of the load and of the motor are constant

The P gain CTRL_KPn and the integral action time CTRL_TNn depend on:

- J_L : Moment of inertia of the load
- J_M : Moment of inertia of the motor
- Determine the values on the basis of the following table:

J_L	$J_L = J_M$		$J_L = 5 * J_M$		$J_L = 10 * J_M$	
	KPn	TNn	KPn	TNn	KPn	TNn
1 kgcm ²	0.0125	8	0.008	12	0.007	16
2 kgcm ²	0.0250	8	0.015	12	0.014	16
5 kgcm ²	0.0625	8	0.038	12	0.034	16
10 kgcm ²	0.125	8	0.075	12	0.069	16
20 kgcm ²	0.250	8	0.150	12	0.138	16

Determining Values for Less Rigid Mechanical Systems

For optimization purposes, determine the P gain of the velocity controller at which the controller adjusts velocity $_v_act$ as quickly as possible without overshooting.

- Set the integral action time CTRL1_TNn (CTRL2_TNn) to infinite (= 327.67 ms).

If a load torque acts on the motor when the motor is at a standstill, the integral action time must not exceed a value that causes unwanted changes of the motor position.

If the motor is subject to loads when it is at a standstill, setting the integral action time to "infinite" may cause position deviations (for example, in the case of vertical axes). Reduce the integral action time if the position deviation is unacceptable in your application. However, reducing the integral action time can adversely affect optimization results.

! WARNING

UNINTENDED MOVEMENT

- Only start the system if there are no persons or obstructions in the zone of operation.
- Verify that the values for the velocity and the time do not exceed the available movement range.
- Verify that a functioning emergency stop push-button is within reach of all persons involved in the operation.

Failure to follow these instructions can result in death, serious injury, or equipment damage.

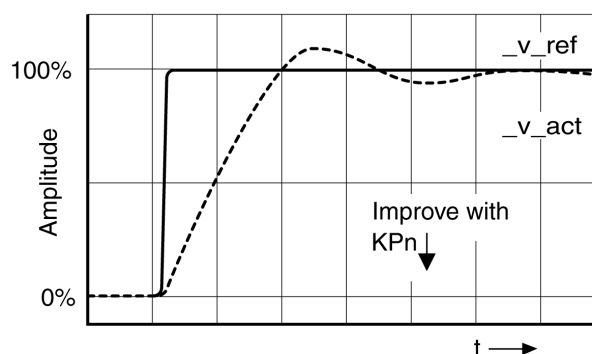
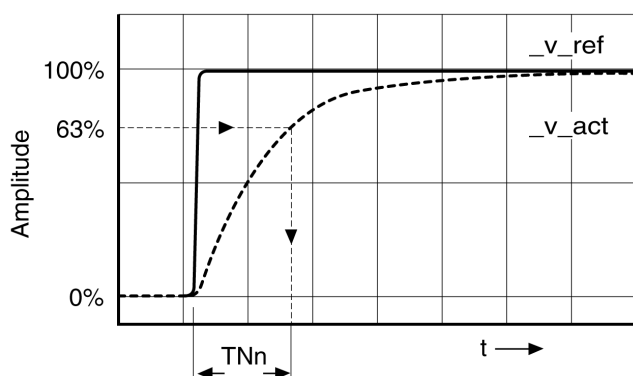
- Trigger a step function.
- After the first test, verify the maximum amplitude for the reference value for the current $_Iq_ref$.

Set the amplitude of the reference value just high enough so the reference value for the current $_Iq_ref$ remains below the maximum value CTRL_I_max. On the other hand, the value selected should not be too low, otherwise friction effects of the mechanical system will determine the performance of the control loop.

- Trigger another step function if you had to modify $_v_ref$ and verify the amplitude of $_Iq_ref$.
- Increase or decrease the P gain in small increments until $_v_act$ is obtained as fast as possible. The following diagram shows the required transient response on the left. Overshooting - as shown on the right - is reduced by reducing CTRL1_KPn (CTRL2_KPn).

Differences between $_v_ref$ and $_v_act$ result from setting CTRL1_TNn (CTRL2_TNn) to "Infinite".

Determining "TNn" for the aperiodic limit



In the case of drive systems in which oscillations occur before the aperiodic limit is reached, the P gain "KPn" must be reduced until oscillations can no longer be detected. This occurs frequently in the case of linear axes with a toothed belt drive.

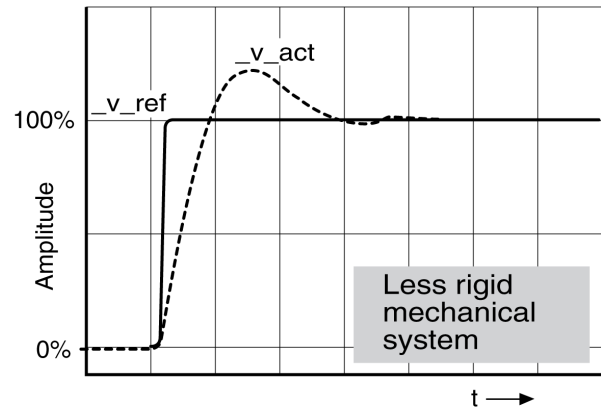
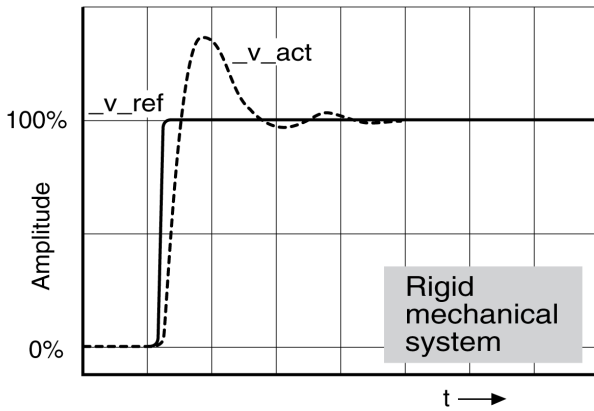
Graphic Determination of the 63% Value

Graphically determine the point at which the actual velocity $_v_act$ reaches 63% of the final value. The integral action time CTRL1_TNn (CTRL2_TNn) then results as a value on the time axis. The commissioning software supports you with the evaluation:

Parameter name HMI menu HMI name	Description	Unit Minimum value Factory setting Maximum value	Data type R/W Persistent Expert	Parameter address via fieldbus
CTRL1_TNn C o n F → d r C - t i n 1	Velocity controller integral action time. The default value is calculated. In the case of switching between the two control loop parameter sets, the values are changed linearly over the time defined in the parameter CTRL_ParChgTime. In increments of 0.01 ms. Modified settings become active immediately.	ms 0.00 - 327.67	UINT16 R/W per. -	CANopen 3012:2 _h Modbus 4612 Profibus 4612 CIP 118.1.2 ModbusTCP 4612 EtherCAT 3012:2 _h PROFINET 4612
CTRL2_TNn C o n F → d r C - t i n 2	Velocity controller integral action time. The default value is calculated. In the case of switching between the two control loop parameter sets, the values are changed linearly over the time defined in the parameter CTRL_ParChgTime. In increments of 0.01 ms. Modified settings become active immediately.	ms 0.00 - 327.67	UINT16 R/W per. -	CANopen 3013:2 _h Modbus 4868 Profibus 4868 CIP 119.1.2 ModbusTCP 4868 EtherCAT 3013:2 _h PROFINET 4868

Verifying and Optimizing the P Gain

Step responses with good control performance



The controller is properly set when the step response is approximately identical to the signal shown. Good control performance is characterized by

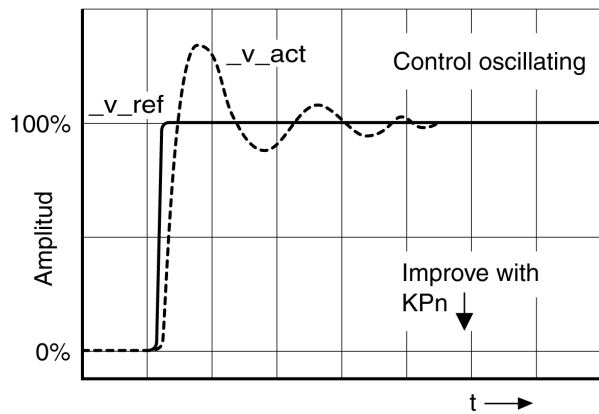
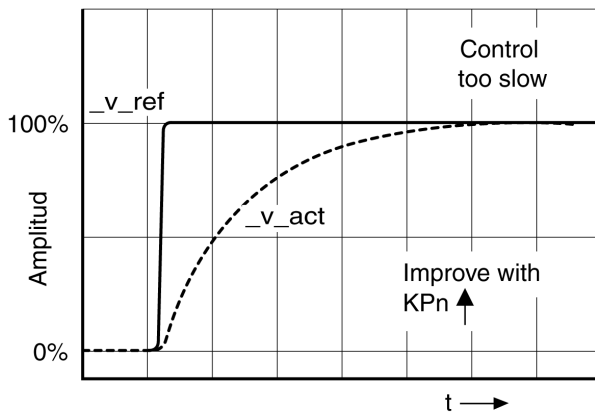
- Fast transient response
- Overshooting up to a maximum of 40%, 20%.

If the control performance does not correspond to the curve shown, change `CTRL_KPn` in increments of about 10% and then trigger another step function:

- If the control is too slow: Use a higher `CTRL1_KPn` (`CTRL2_KPn`) value.
- If the control tends to oscillate: Use a lower `CTRL1_KPn` (`CTRL2_KPn`) value.

Oscillation ringing is characterized by continuous acceleration and deceleration of the motor.

Optimizing insufficient velocity controller settings



Optimizing the Position Controller

General

An optimized velocity controller is a prerequisite for optimization of the position controller.

When tuning the position controller, you must optimize the P gain CTRL1_KPp (CTRL2_KPp):

- CTRL1_KPp (CTRL2_KPp) too high: Overshooting, instability
- CTRL1_KPp (CTRL2_KPp) too low: High position deviation

Parameter name HMI menu HMI name	Description	Unit Minimum value Factory setting Maximum value	Data type R/W Persistent Expert	Parameter address via fieldbus
CTRL1_KPp CONF → drC - PP1	Position controller P gain. The default value is calculated. In the case of switching between the two control loop parameter sets, the values are changed linearly over the time defined in the parameter CTRL_ParChgTime. In increments of 0.1 1/s. Modified settings become active immediately.	1/s 2.0 - 900.0	UINT16 R/W per. -	CANopen 3012:3h Modbus 4614 Profibus 4614 CIP 118.1.3 ModbusTCP 4614 EtherCAT 3012:3h PROFINET 4614
CTRL2_KPp CONF → drC - PP2	Position controller P gain. The default value is calculated. In the case of switching between the two control loop parameter sets, the values are changed linearly over the time defined in the parameter CTRL_ParChgTime. In increments of 0.1 1/s. Modified settings become active immediately.	1/s 2.0 - 900.0	UINT16 R/W per. -	CANopen 3013:3h Modbus 4870 Profibus 4870 CIP 119.1.3 ModbusTCP 4870 EtherCAT 3013:3h PROFINET 4870

The step function moves the motor at constant velocity until the specified time has expired.

⚠ WARNING
UNINTENDED MOVEMENT
<ul style="list-style-type: none"> • Only start the system if there are no persons or obstructions in the zone of operation. • Verify that the values for the velocity and the time do not exceed the available movement range. • Verify that a functioning emergency stop push-button is within reach of all persons involved in the operation.
Failure to follow these instructions can result in death, serious injury, or equipment damage.

Setting the Reference Value Signal

- Select Position Controller as the reference value in the commissioning software.
- Set the reference value signal:
- Signal type: "Step"
- Set the amplitude to approx. 1/10 motor revolution.

The amplitude is entered in user-defined units. With the default scaling, the resolution is 16384 user-defined units per motor revolution.

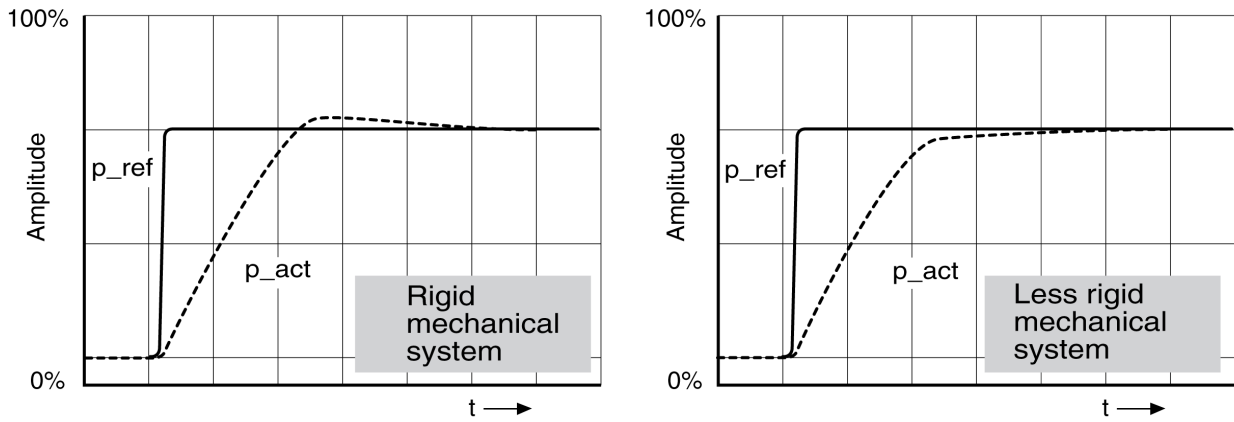
Selecting the Trace Signals

- Select the values in the box General Trace Parameters:
- Reference position of position controller `_p_refusr (_p_ref)`
- Actual position of position controller `_p_actusr (_p_act)`
- Actual velocity `_v_act`
- Reference value current `_Iq_ref`

Optimizing the Position Controller Value

- Trigger a step function with the default controller values.
- After the first test, verify the values achieved for `_v_act` and `_Iq_ref` for current control and velocity control. The values must not reach the current and velocity limitation range.

Step responses of a position controller with good control performance

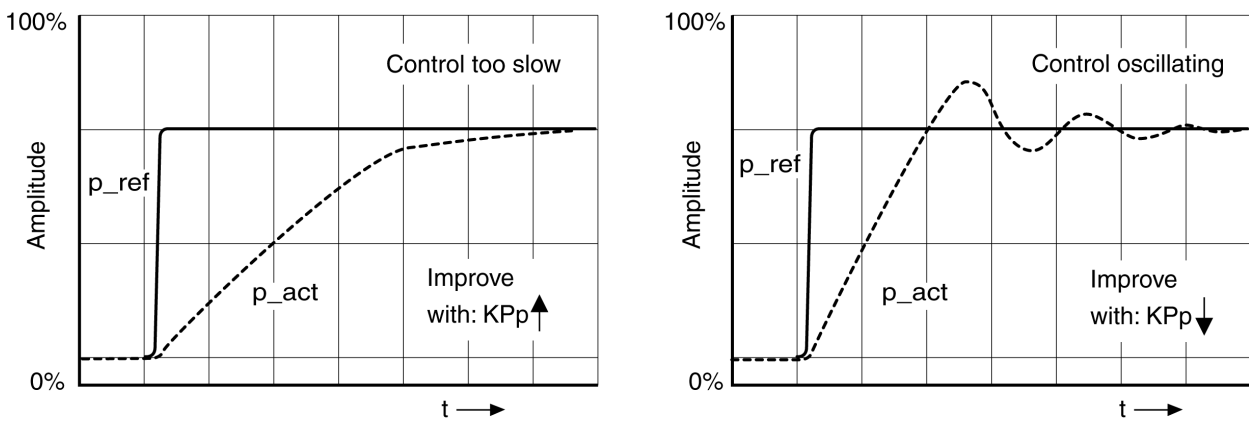


The p gain setting `CTRL1_KPp` (`CTRL2_KPp`) is optimal if the reference value is reached rapidly and with little or no overshooting.

If the control performance does not correspond to the curve shown, change the P gain `CTRL1_KPp` (`CTRL2_KPp`) in increments of approximately 10% and trigger another step function.

- If the control tends to oscillate: Use a lower KPp value.
- If the actual value is too slow reaching the reference value: Use a higher KPp value.

Optimizing inadequate position controller settings



Section 5.6

Parameter Management

What Is in This Section?

This section contains the following topics:

Topic	Page
Memory Card	193
Duplicating Existing Parameter Values	196
Resetting the User Parameters	197
Restoring Factory Settings	198

Memory Card

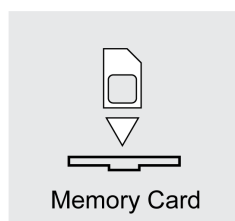
Description

The device features a card holder for a memory card. The parameters stored on the memory card can be transferred to other devices. If a device is replaced, a new device of the same type can be operated with identical parameters.

The contents of the memory card is compared to the parameters stored in the device when the device is powered on.

When the parameters are written to the nonvolatile memory, they are also saved to the memory card.

The parameters of the safety module require special treatment. See the module manual of the safety module for additional information.



Note the following:

- Use only genuine accessory memory cards.
- Do not touch the gold contacts.
- The insert/remove cycles of the memory card are limited.
- The memory card can remain in the device.
- The memory card can only be removed from the device by pulling (not by pushing).

NOTICE

ELECTROSTATIC DISCHARGE OR INTERMITTENT CONTACT AND LOSS OF DATA

Do not touch the contacts of the memory card.

Failure to follow these instructions can result in equipment damage.

Inserting a Memory Card

- 24 Vdc control supply has been powered off.
- Insert the memory card into the device with the gold contacts face down; the slanted corner must be face to the mounting plate.
- Power on the 24 Vdc control supply.
- Observe the 7-segment display during the initialization of the device.

CARD is Displayed for a Short Period of Time

The device has detected a memory card. User intervention is not required.

The parameter values stored in the device and the contents of the memory card are identical. The data on the memory card originates from the device into which the memory card is plugged in.

CARD is Displayed Permanently

The device has detected a memory card. User intervention is required.

Cause	Options
The memory card is new.	The device data can be transferred to the memory card.
The data on the memory card does not match the device (different device type, different motor type, different firmware version).	The device data can be transferred to the memory card.

Cause	Options
The data on the memory card matches the device, but the parameter values are different.	The device data can be transferred to the memory card. The data on the memory card can be transferred to the device. If the memory card is to remain in the device, the device data must be transferred to the memory card.

Card is Not Displayed

The device has not detected a memory card. Power off the 24 Vdc control supply. Verify that the memory card has been properly inserted (contacts, slanted corner).

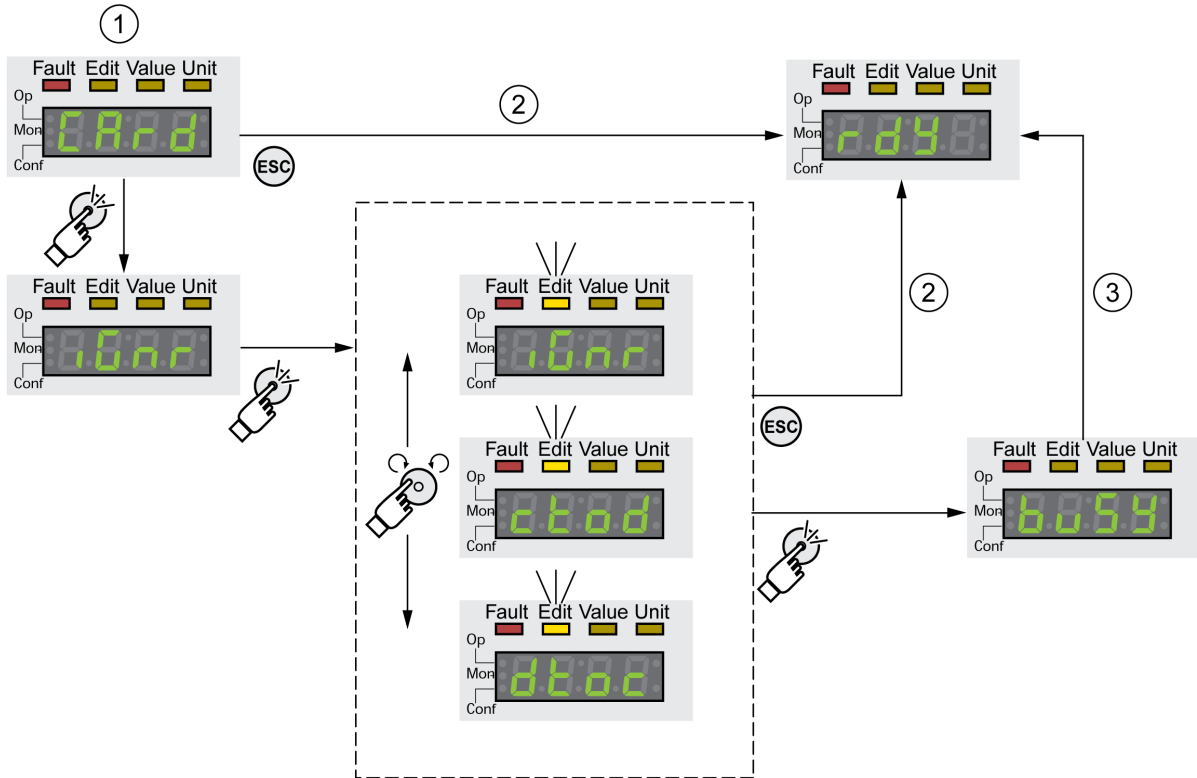
Data Exchange with the Memory Card

If there are differences between the parameters on the memory card and the parameters stored in the device, the device stops after initialization and displays **Card**.

Copying Data or Ignoring the Memory Card (Card, Ignore, Card to Device, Device to Card)

If the 7-segment display shows **Card**:

- Press the navigation button.
The 7-segment display shows the last setting, for example **Ignore**.
 - Briefly press the navigation button to activate the Edit mode.
The 7-segment display continues to display the last setting, the Edit LED lights.
 - Select with the navigation button:
 - Ignore** ignores the memory card.
 - Card to Device** transfers the data from the memory card to the device.
 - Device to Card** transfers the data from the device to the memory card.
- The device switches to operating state 4 Ready To Switch On.



- 1 Data on the memory card and in the device are different: The device displays **Card** and waits for user intervention.
- 2 Transition to operating state 4 Ready To Switch On (memory card is ignored).

- 3 Transfer of data (*c t o d* = card to device, *d t o c* = device to card) and transition to operating state
 4 Ready To Switch On.

Memory Card has Been Removed (*C A r d N , S S*)

If you removed the memory card, the device displays *C A r d* after initialization. If you confirm this, the display shows *N , S S*. If you confirm again, the product transitions to the operating state
 .4 Ready To Switch On.

Write Protection for Memory Card (*C A r d , E n P r , d , P r , P r o t*)

It is possible to write-protect the memory card for LXM 32 (*P r o t*). For example, you may want to write-protect memory cards used for regular duplication of device data.

To write-protect the memory card, select *C o n F - A C G - C A r d* on the HMI.

Selection	Meaning
<i>E n P r</i>	Write protection on (<i>P r o t</i>)
<i>d , P r</i>	Write protection off

Memory cards can also be write-protected via the commissioning software.

Duplicating Existing Parameter Values

Application

Multiple devices are to have the same settings, for example, when devices are replaced.

Prerequisites

- Device type, motor type and firmware version must be identical.
- Tools for duplication:
 - Memory card
 - Commissioning software
- The 24 Vdc control supply must be powered on.

Duplication Using a Memory Card

Device settings can be stored on a memory card (accessories).

The stored device settings can be copied to a device of the same type. Note that the fieldbus address and the settings for the monitoring functions are copied along with this information.

Duplication Using the Commissioning Software

The commissioning software can save the settings of a device in the form of a configuration file. The stored device settings can be copied to a device of the same type. Note that the fieldbus address and the settings for the monitoring functions are copied along with this information.

See the manual for the commissioning software for additional information.

Resetting the User Parameters

Description

The user parameters are reset by means of the parameter `PARuserReset`.

- Disconnect the drive from the fieldbus.

Parameter name HMI menu HMI name	Description	Unit Minimum value Factory setting Maximum value	Data type R/W Persistent Expert	Parameter address via fieldbus
<code>PARuserReset</code> <code>CONF -> FCS -> RESU</code>	<p>Reset user parameters.</p> <p>0 / No / <i>no</i>: No 65535 / Yes / <i>YES</i>: Yes</p> <p>Bit 0: Reset persistent user parameters and control loop parameters to default values Bit 1: Reset Motion Sequence parameters to default values Bits 2 ... 15: Reserved</p> <p>The parameters are reset with the exception of:</p> <ul style="list-style-type: none"> - Communication parameters - Inversion of direction of movement - Type of reference value signal for PTI interface - Settings of encoder simulation - Functions of digital inputs and outputs - Safety module eSM <p>The new settings are not saved to the nonvolatile memory. Setting can only be modified if power stage is disabled. Modified settings become active the next time the power stage is enabled.</p>	- 0 - 65535	UINT16 R/W - -	CANopen 3004:8 _h Modbus 1040 Profibus 1040 CIP 104.1.8 ModbusTCP 1040 EtherCAT 3004:8 _h PROFINET 1040

Resetting via the HMI

Use the menu items `CONF -> FCS -> RESU` of the HMI to reset the user parameters. Confirm the selection with `YES`.

The new settings are not saved to the nonvolatile memory.

If the drive transitions to the operating state "2 Not Ready To Switch On" after the user parameters are reset, the new settings only become active after the 24 Vdc control supply of the drive is power cycled.

Resetting via the Commissioning Software

Use the menu items "Device -> User Functions -> Reset User Parameters" in the commissioning software to reset the user parameters.

If the drive transitions to the operating state "2 Not Ready To Switch On" after the user parameters are reset, the new settings only become active after the 24 Vdc control supply of the drive is power cycled.

Restoring Factory Settings

Description

The parameter values, both active and those saved in nonvolatile memory, are lost in this process.

NOTICE

LOSS OF DATA

Perform a backup of the drive parameters prior to restoring factory settings (factory established parameter values).

Failure to follow these instructions can result in equipment damage.

The commissioning software allows you to save the parameter values set for a drive as a configuration file. For information on saving the existing parameters in the drive, see chapter Parameter Management ([see page 192](#)).

The factory settings can be restored via the HMI or the commissioning software.

Disconnect the drive from the fieldbus before you restore the factory settings.

Factory Settings via HMI

Use the menu items **C o n F** → **F L S** - → **r S t F** of the HMI to restore the factory settings. Confirm the selection with **Y E S**.

The new settings only become active until after the 24 Vdc control supply of the drive is power cycled.

Factory Settings via Commissioning Software

Use the menu items **Device** → **User Functions** → **Restore Factory Settings** in the commissioning software to restore the factory settings.

The new settings only become active until after the 24 Vdc control supply of the drive is power cycled.

Chapter 6

Operation

What Is in This Chapter?

This chapter contains the following sections:

Section	Topic	Page
6.1	Access Channels	200
6.2	Control Mode	202
6.3	Movement Range	203
6.4	Modulo Range	208
6.5	Scaling	216
6.6	Digital Signal Inputs and Digital Signal Outputs	221
6.7	PTI and PTO Interface	238
6.8	Switching Between Control Loop Parameter Sets	242
6.9	PWM Frequency of the Power Stage	258


Section 6.1

Access Channels

Access Channels

Description

The product can be accessed via different types of access channels. Simultaneous access via multiple access channels or the use of exclusive access may cause unintended equipment operation.

 **WARNING**

UNINTENDED EQUIPMENT OPERATION

- Verify that simultaneous access via multiple access channels cannot cause unintended triggering or blocking of commands.
- Verify that the use of exclusive access cannot cause unintended triggering or blocking of commands.
- Verify that the required access channels are available.

Failure to follow these instructions can result in death, serious injury, or equipment damage.

The product can be addressed via different access channels. Access channels are:

- Integrated HMI
- External graphic display terminal
- Fieldbus
- Commissioning software
- Digital signal inputs

Only one access channel can have exclusive access to the product. An exclusive access can be provided via different access channels:

- Via the integrated HMI:
The operating mode Jog or Autotuning can be started via the HMI.
- Via a fieldbus:
Exclusive access is provided to a fieldbus by blocking the other access channels with the parameter `AccessLock`.
- Via the commissioning software:
The commissioning software receives exclusive access via the switch "Exclusive access" in position "On".

When the drive is powered on, there is no exclusive access via an access channel.

The signal input functions "Halt", "Fault Reset", "Enable", "Positive Limit Switch (LIMP)", "Negative Limit Switch (LIMN)" and "Reference Switch (REF)" as well as the signals of the safety function STO (`STO_A` and `STO_B`) are available during exclusive access.

Parameter name HMI menu HMI name	Description	Unit Minimum value Factory setting Maximum value	Data type R/W Persistent Expert	Parameter address via fieldbus
<code>AccessLock</code>	Locking other access channels. Value 0: Allow control via other access channels Value 1: Lock control via other access channels Example: The access channel is used by the fieldbus. In this case, control via the commissioning software, for example, is not possible. The access channel can only be locked after the currently active operating mode has terminated. Modified settings become active immediately.	- 0 0 1	UINT16 R/W - -	CANopen 3001:E _h Modbus 284 Profibus 284 CIP 101.1.14 ModbusTCP 284 EtherCAT 3001:E _h PROFINET 284

Parameter name HMI menu HMI name	Description	Unit Minimum value Factory setting Maximum value	Data type R/W Persistent Expert	Parameter address via fieldbus
HMIlocked	Lock HMI. 0 / Not Locked / n L o c k : HMI not locked 1 / Locked / L o c k : HMI locked The following functions can no longer be started when the HMI is locked: - Parameter change - Jog - Autotuning - Fault Reset Modified settings become active immediately.	- 0 0 1	UINT16 R/W per. -	CANopen 303A:1 _h Modbus 14850 Profibus 14850 CIP 158.1.1 ModbusTCP 14850 EtherCAT 303A:1 _h PROFINET 14850

Section 6.2

Control Mode

Control Mode

Overview

The control mode determines whether the operating states are changed and the operating modes started and changed via the signal inputs or via the fieldbus.

In local control mode, the operating states are changed and the operating modes started and changed via the digital signal inputs.

In fieldbus control mode, the operating states are changed and the operating modes started and changed via the fieldbus.

Availability

The following table provides an overview of the operating modes available in the different control modes.

Operating Mode	Local control mode	Fieldbus control mode
Jog	Available ⁽¹⁾	Available
Electronic Gear	Available ⁽¹⁾	Available
Profile Torque	Available ⁽¹⁾⁽²⁾	Available
Profile Velocity	Available ⁽¹⁾⁽²⁾	Available
Profile Position	Not available	Available
Interpolated Position	Not available	Available
Homing	Not available	Available
Motion Sequence	Available	Available

(1) With firmware version ≥V01.08
 (2) Only possible with IOM1 module

Setting the Control Mode

The parameter `DEVcmdinterf` lets you set the control mode.

- Set the desired control mode with the parameter `DEVcmdinterf`.

Parameter name HMI menu HMI name	Description	Unit Minimum value Factory setting Maximum value	Data type R/W Persistent Expert	Parameter address via fieldbus
<code>DEVcmdinterf</code> <code>CONF → RCG - nonE dEVL</code>	Control mode. 1 / Local Control Mode / LD : Local control mode 2 / Fieldbus Control Mode / FBUS : Fieldbus control mode Setting can only be modified if power stage is disabled. Modified settings become active the next time the product is powered on.	- - - -	UINT16 R/W per. -	CANopen 3005:1 _h Modbus 1282 Profibus 1282 CIP 105.1.1 ModbusTCP 1282 EtherCAT 3005:1 _h PROFINET 1282

Section 6.3

Movement Range

What Is in This Section?

This section contains the following topics:

Topic	Page
Size of the Movement Range	204
Movement Beyond the Movement Range	205
Setting a Modulo Range	207

Size of the Movement Range

Description

The movement range is the maximum possible range within which a movement can be made to any position.

The actual position of the motor is the position in the movement range.

The figure below shows the movement range in user-defined units with the factory scaling.



A -268435456 user-defined units (usr_p)

B 268435455 user-defined units (usr_p)

Availability

The movement range is relevant in the following operating modes:

- Jog
- Profile Position
- Homing
- Motion Sequence (Move Absolute, Move Additive, Move Relative and Reference Movement)

Zero Point of the Movement Range

The zero point is the point of reference for absolute movements in the operating modes Profile Position and Motion Sequence.

Valid Zero Point

The zero point of the movement range is set by means of a reference movement or by position setting.

A reference movement and position setting can be performed in the operating modes Homing and Motion Sequence.

In the case of a movement beyond the movement range (for example, a relative movement), the zero point becomes invalid.

Movement Beyond the Movement Range

Description

The behavior in the case of a movement beyond the movement range depends on the operating mode and the type of movement.

The following behavior is possible:

- In the case of a movement beyond the movement range, the movement range restarts.
- In the case of a movement with a target position outside of the movement range, position setting to 0 is performed before the movement is started.

As of firmware version $\geq V01.04$, you can use the parameter `PP_ModeRangeLim` to set the behavior.

Parameter name HMI menu HMI name	Description	Unit Minimum value Factory setting Maximum value	Data type R/W Persistent Expert	Parameter address via fieldbus
PP_ModeRangeLim	Absolute movement beyond movement range. 0 / NoAbsMoveAllowed: Absolute movement beyond movement range is not possible 1 / AbsMoveAllowed: Absolute movement beyond movement range is possible Setting can only be modified if power stage is disabled. Modified settings become active the next time the power stage is enabled. Available with firmware version $\geq V01.04$.	- 0 0 1	UINT16 R/W per. -	CANopen 3023:7 _h Modbus 8974 Profibus 8974 CIP 135.1.7 ModbusTCP 8974 EtherCAT 3023:7 _h PROFINET 8974

Behavior for Operating Mode Jog (Continuous Movement)

Behavior for continuous movement beyond the movement range:

- The movement range restarts.

Behavior for Operating Mode Jog (Step Movement)

Behavior for step movement beyond the movement range:

- With firmware version $\geq V01.04$ and setting via parameter `PP_ModeRangeLim = 1`:
The movement range restarts.
- With firmware version $< V01.04$:
Internal position setting to 0.

Behavior for Operating Mode Profile Position (Relative Movement)

Behavior for relative movement beyond the movement range:

- With firmware version $\geq V01.04$ and setting via parameter `PP_ModeRangeLim = 1`:
The movement range restarts.
A relative movement is possible when the motor is at a standstill and during movements
- With firmware version $< V01.04$:
Internal position setting to 0.
A relative movement is only possible when the motor is at a standstill.

Behavior for Operating Mode Profile Position (Absolute Movement)

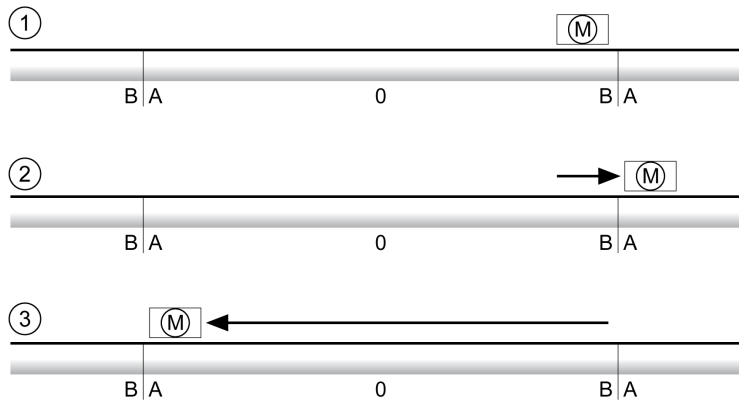
Behavior for absolute movement:

- With firmware version $\geq V01.04$ and setting via parameter `PP_ModeRangeLim = 1`:
An absolute movement beyond the movement range is possible.
- With firmware version $< V01.04$:
An absolute movement is made within the movement range. An absolute movement beyond the movement range is not possible.

Example:

Actual position: 268435000 user-defined units (`usr_p`)

Target position absolute: -268435000 user-defined units (`usr_p`)



- A** -268435456 user-defined units (usr_p)
- B** 268435455 user-defined units (usr_p)
- 1** Actual position: 268435000 user-defined units
- 2** Absolute movement to -268435000 user-defined units with parameter PP_ModeRangeLim = 1
- 3** Absolute movement to -268435000 user-defined units with parameter PP_ModeRangeLim = 0

Behavior for Operating Mode Motion Sequence (Move Relative and Move Additive)

Behavior for movement with Move Relative and Move Additive beyond the movement range:

- With firmware version $\geq V01.04$ and setting via parameter PP_ModeRangeLim = 1:
The movement range restarts.
- With firmware version $< V01.04$:
Internal position setting to 0.

Behavior for Operating Mode Motion Sequence (Move Absolute)

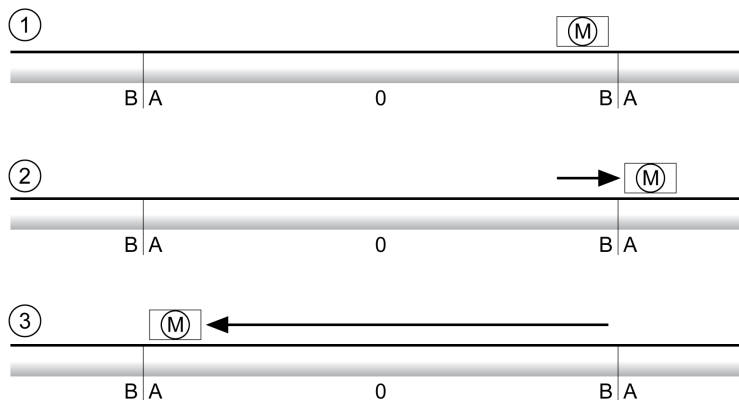
Behavior for a movement with Move Absolute:

- With firmware version $\geq V01.04$ and setting via parameter PP_ModeRangeLim = 1:
An absolute movement beyond the movement range is possible.
- With firmware version $< V01.04$:
An absolute movement is made within the movement range. An absolute movement beyond the movement range is not possible.

Example:

Actual position: 268435000 user-defined units (usr_p)

Target position absolute: -268435000 user-defined units (usr_p)



- A** -268435456 user-defined units (usr_p)
- B** 268435455 user-defined units (usr_p)
- 1** Actual position: 268435000 user-defined units
- 2** Absolute movement to -268435000 user-defined units with parameter PP_ModeRangeLim = 1
- 3** Absolute movement to -268435000 user-defined units with parameter PP_ModeRangeLim = 0

Setting a Modulo Range

Description

The modulo range supports applications with repeating arrangements of target positions (such as rotary indexing tables). The target positions are mapped to a parameterizable movement range.

For details see chapter Setting a Modulo Range ([see page 209](#)).

Section 6.4

Modulo Range

What Is in This Section?

This section contains the following topics:

Topic	Page
Setting a Modulo Range	209
Parameterization	210
Examples with Relative Movements	212
Examples with Absolute Movements and "Shortest Distance"	213
Examples with Absolute Movements and "Positive Direction"	214
Examples with Absolute Movements and "Negative Direction"	215

Setting a Modulo Range

Availability

Available with firmware version \geq V01.01.

Description

The modulo range supports applications with repeating arrangements of target positions (such as rotary indexing tables). The target positions are mapped to a parameterizable movement range.

Direction of Movement

The direction of movement for absolute target positions can be adjusted to meet the requirements of the application.

- Shortest distance
- Positive direction of movement only
- Negative direction of movement only

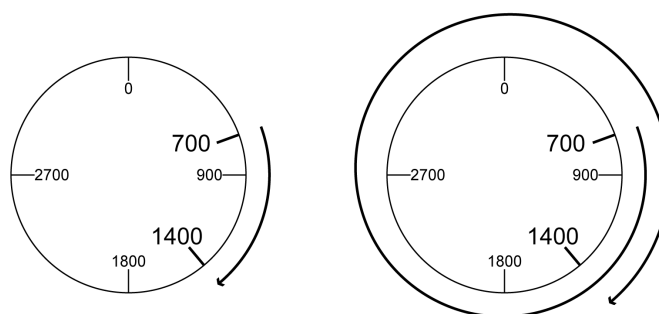
Multiple Modulo Range

In addition, it is possible to set a multiple modulo range for absolute target positions. A movement with an absolute target position beyond the modulo range is performed in a way as if several modulo ranges had been arranged one after the other.

Example:

- Modulo range
 - Minimum position: 0 usr_p
 - Maximum position: 3600 usr_p
- Actual position: 700 usr_p
- Target positions absolute: 5000 usr_p
- Left: Without multiple modulo range
- Right: With multiple modulo range

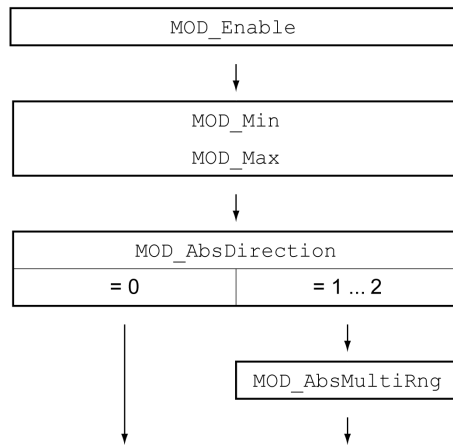
Multiple modulo range



Parameterization

Overview

Overview of parameters



Scaling

Using a modulo range requires the scaling to be adapted. The scaling of the motor must be adapted to the requirements of the application, see chapter Scaling (see page 216).

Activation

The modulo range is activated with the parameter MOD_Enable.

Parameter name HMI menu HMI name	Description	Unit Minimum value Factory setting Maximum value	Data type R/W Persistent Expert	Parameter address via fieldbus
MOD_Enable CONF → ACC - ALYP	Activation of Modulo function. 0 / Modulo Off / oFF : Modulo is off 1 / Modulo On / on : Modulo is on Setting can only be modified if power stage is disabled. Modified settings become active immediately. Available with firmware version ≥V01.01.	- 0 0 1	UINT16 R/W per. -	CANopen 3006:38 _h Modbus 1648 Profibus 1648 CIP 106.1.56 ModbusTCP 1648 EtherCAT 3006:38 _h PROFINET 1648

Modulo Range

The parameters MOD_Min and MOD_Max can be used to set the modulo range.

Parameter name HMI menu HMI name	Description	Unit Minimum value Factory setting Maximum value	Data type R/W Persistent Expert	Parameter address via fieldbus
MOD_Min	Minimum position of modulo range. The minimum position value of the modulo range must be less than the maximum position value of the modulo range. The value must not exceed the maximum possible value of position scaling _ScalePOSmax. Setting can only be modified if power stage is disabled. Modified settings become active immediately. Available with firmware version ≥V01.01.	usr_p - 0 -	INT32 R/W per. -	CANopen 3006:39 _h Modbus 1650 Profibus 1650 CIP 106.1.57 ModbusTCP 1650 EtherCAT 3006:39 _h PROFINET 1650

Parameter name HMI menu HMI name	Description	Unit Minimum value Factory setting Maximum value	Data type R/W Persistent Expert	Parameter address via fieldbus
MOD_Max	Maximum position of modulo range. The maximum position value of the modulo range must be greater than the minimum position value of the modulo range. The value must not exceed the maximum possible value of position scaling _ScalePOSmax. Setting can only be modified if power stage is disabled. Modified settings become active immediately. Available with firmware version \geq V01.01.	usr_p - 3600 -	INT32 R/W per. -	CANopen 3006:3A _h Modbus 1652 Profibus 1652 CIP 106.1.58 ModbusTCP 1652 EtherCAT 3006:3A _h PROFINET 1652

Direction for Absolute Movements

The parameter MOD_AbsDirection lets you set the direction of movement for absolute movements.

Parameter name HMI menu HMI name	Description	Unit Minimum value Factory setting Maximum value	Data type R/W Persistent Expert	Parameter address via fieldbus
MOD_AbsDirection	Direction of absolute movement with Modulo. 0 / Shortest Distance: Movement with shortest distance 1 / Positive Direction: Movement only in positive direction 2 / Negative Direction: Movement only in negative direction If the parameter is set to 0, the drive calculates the shortest way to the new target position and starts the movement in the corresponding direction. If the distance to the target position is identical in positive and negative directions, the movement takes place in positive direction. Modified settings become active immediately. Available with firmware version \geq V01.01.	- 0 0 2	UINT16 R/W per. -	CANopen 3006:3B _h Modbus 1654 Profibus 1654 CIP 106.1.59 ModbusTCP 1654 EtherCAT 3006:3B _h PROFINET 1654

Multiple Modulo Range for Absolute Movements

The parameter MOD_AbsMultiRng lets you set a multiple modulo range for absolute movements.

Parameter name HMI menu HMI name	Description	Unit Minimum value Factory setting Maximum value	Data type R/W Persistent Expert	Parameter address via fieldbus
MOD_AbsMultiRng	Multiple ranges for absolute movement with Modulo. 0 / Multiple Ranges Off: Absolute movement in one modulo range 1 / Multiple Ranges On: Absolute movement in multiple modulo ranges Modified settings become active immediately. Available with firmware version \geq V01.01.	- 0 0 1	UINT16 R/W per. -	CANopen 3006:3C _h Modbus 1656 Profibus 1656 CIP 106.1.60 ModbusTCP 1656 EtherCAT 3006:3C _h PROFINET 1656

Examples with Relative Movements

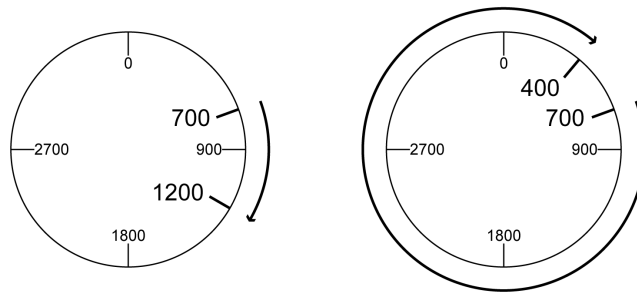
Assumptions

The settings below are assumed for the examples.

- Rotary motor
- Position scaling
 - Numerator: 1
 - Denominator: 3600
- Modulo range
 - Minimum position: 0 usr_p
 - Maximum position: 3600 usr_p
- Actual position: 700 usr_p

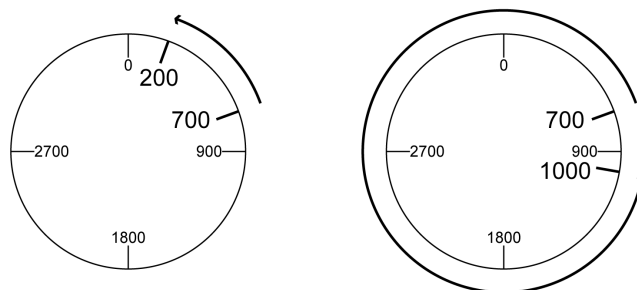
Example 1

Target positions relative: 500 usr_p and 3300 usr_p



Example 2

Target positions relative: -500 usr_p and -3300 usr_p



Examples with Absolute Movements and "Shortest Distance"

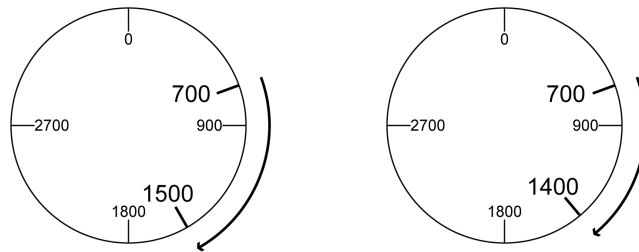
Assumptions

The settings below are assumed for the examples.

- Rotary motor
- Position scaling
 - Numerator: 1
 - Denominator: 3600
- Modulo range
 - Minimum position: 0 usr_p
 - Maximum position: 3600 usr_p
- Actual position: 700 usr_p

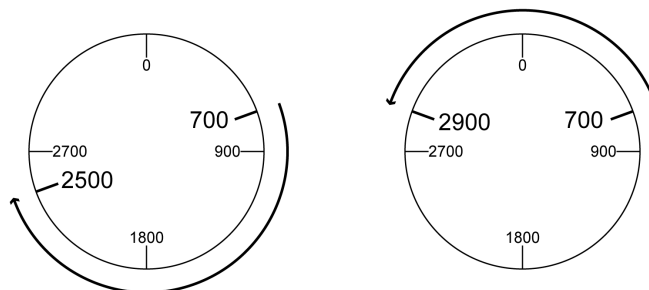
Example 1

Target positions absolute: 1500 usr_p and 5000 usr_p



Example 2

Target positions absolute: 2500 usr_p and 2900 usr_p



Examples with Absolute Movements and "Positive Direction"

Assumptions

The settings below are assumed for the examples.

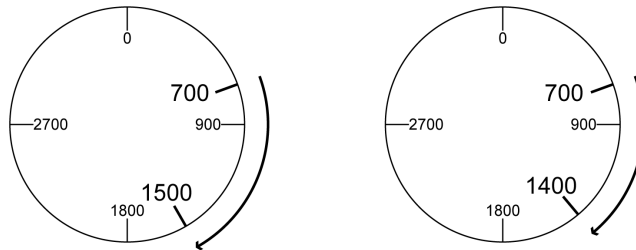
- Rotary motor
- Position scaling
 - Numerator: 1
 - Denominator: 3600
- Modulo range
 - Minimum position: 0 usr_p
 - Maximum position: 3600 usr_p
- Actual position: 700 usr_p

Parameter MOD_AbsDirection: Positive Direction

Example 1

Parameter MOD_AbsMultiRng: Off

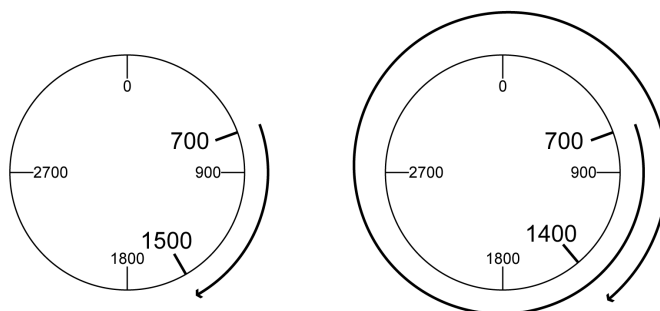
Target positions absolute: 1500 usr_p and 5000 usr_p



Example 2

Parameter MOD_AbsMultiRng: On

Target positions absolute: 1500 usr_p and 5000 usr_p



Examples with Absolute Movements and "Negative Direction"

Assumptions

The settings below are assumed for the examples.

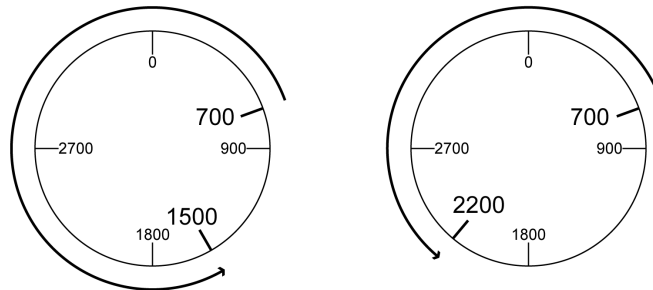
- Rotary motor
- Position scaling
 - Numerator: 1
 - Denominator: 3600
- Modulo range
 - Minimum position: 0 usr_p
 - Maximum position: 3600 usr_p
- Actual position: 700 usr_p

Parameter MOD_AbsDirection: Negative Direction

Example 1

Parameter MOD_AbsMultiRng: Off

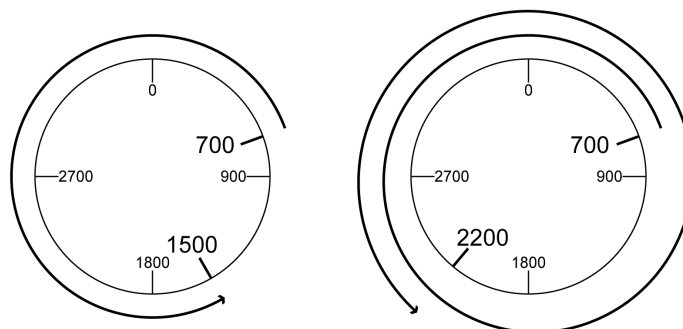
Target positions absolute: 1500 usr_p and -5000 usr_p



Example 2

Parameter MOD_AbsMultiRng: On

Target positions absolute: 1500 usr_p and -5000 usr_p



Section 6.5

Scaling

What Is in This Section?

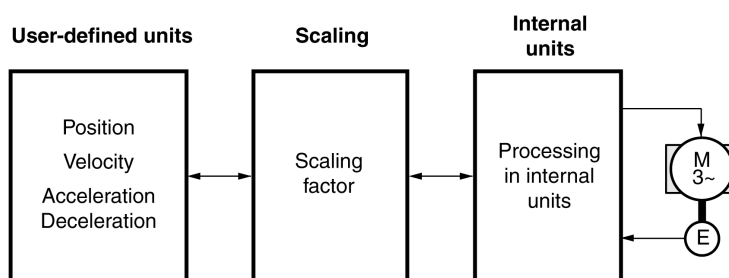
This section contains the following topics:

Topic	Page
General	217
Configuration of Position Scaling	218
Configuration of Velocity Scaling	219
Configuration of Ramp Scaling	220

General

Overview

Scaling converts user-defined units into internal units of the device, and vice versa.



User-Defined Units

Values for positions, velocities, acceleration and deceleration are specified in the following user-defined unit:

- usr_p for positions
- usr_v for velocities
- usr_a for acceleration and deceleration

Modifying the scaling modifies the ratio between user-defined units and internal units. After a modification to the scaling, one and the same value of a parameter specified in a user-defined unit causes a different movement than before the modification. A modification of the scaling affects all parameters whose values are specified in user-defined units.

⚠ WARNING

UNINTENDED MOVEMENT

- Verify all parameters with user-defined units before modifying the scaling factor.
- Verify that a modification of the scaling factor cannot cause unintended movements.

Failure to follow these instructions can result in death, serious injury, or equipment damage.

Scaling Factor

The scaling factor is the relationship between the motor movement and the required user-defined units.

Commissioning Software

As of firmware version $\geq V01.04$, you can adjust the scaling via the commissioning software. The parameters with user-defined units are automatically checked and adjusted.

Configuration of Position Scaling

Description

Position scaling is the relationship between the number of motor revolutions and the required user-defined units (usr_p).

Scaling Factor

Position scaling is specified by means of scaling factor:

In the case of a rotary motor, the scaling factor is calculated as shown below:

$$\frac{\text{Number of revolutions of the motor}}{\text{Number of user-defined units [usr_p]}}$$

A new scaling factor is activated when you specify the numerator value.

With a scaling factor of < 1 / 131072, it is not possible to perform a movement outside of the movement range.

Factory Setting

The following factory settings are used:

- 1 motor revolution corresponds to 16384 user-defined units

Parameter name HMI menu HMI name	Description	Unit Minimum value Factory setting Maximum value	Data type R/W Persistent Expert	Parameter address via fieldbus
ScalePOSnum	<p>Position scaling: Numerator. Specification of the scaling factor:</p> <p>Motor revolutions ----- User-defined units [usr_p]</p> <p>A new scaling is activated when the numerator value is supplied. Setting can only be modified if power stage is disabled. Modified settings become active immediately.</p>	<p>revolution 1 1 2147483647</p>	<p>INT32 R/W per. -</p>	<p>CANopen 3006:8_h Modbus 1552 Profibus 1552 CIP 106.1.8 ModbusTCP 1552 EtherCAT 3006:8_h PROFINET 1552</p>
ScalePOSdenom	<p>Position scaling: Denominator. Refer to numerator (ScalePOSnum) for a description.</p> <p>A new scaling is activated when the numerator value is supplied. Setting can only be modified if power stage is disabled.</p>	<p>usr_p 1 16384 2147483647</p>	<p>INT32 R/W per. -</p>	<p>CANopen 3006:7_h Modbus 1550 Profibus 1550 CIP 106.1.7 ModbusTCP 1550 EtherCAT 3006:7_h PROFINET 1550</p>

Configuration of Velocity Scaling

Description

Velocity scaling is the relationship between the number of motor revolutions per minute and the required user-defined units (usr_v).

Scaling Factor

Velocity scaling is specified by means of scaling factor:

In the case of a rotary motor, the scaling factor is calculated as shown below:

$$\frac{\text{Number of revolutions of the motor per minute}}{\text{Number of user-defined units [usr_v]}}$$

Factory Setting

The following factory settings are used:

- 1 motor revolution per minute corresponds to 1 user-defined unit

Parameter name HMI menu HMI name	Description	Unit Minimum value Factory setting Maximum value	Data type R/W Persistent Expert	Parameter address via fieldbus
ScaleVELnum	Velocity scaling: Numerator. Specification of the scaling factor: Speed of rotation of motor [RPM] ----- User-defined units [usr_v] A new scaling is activated when the numerator value is supplied. Setting can only be modified if power stage is disabled. Modified settings become active immediately.	RPM 1 1 2147483647	INT32 R/W per. -	CANopen 3006:22 _h Modbus 1604 Profibus 1604 CIP 106.1.34 ModbusTCP 1604 EtherCAT 3006:22 _h PROFINET 1604
ScaleVELdenom	Velocity scaling: Denominator. See numerator (ScaleVELnum) for a description. A new scaling is activated when the numerator value is supplied. Setting can only be modified if power stage is disabled.	usr_v 1 1 2147483647	INT32 R/W per. -	CANopen 3006:21 _h Modbus 1602 Profibus 1602 CIP 106.1.33 ModbusTCP 1602 EtherCAT 3006:21 _h PROFINET 1602

Configuration of Ramp Scaling

Description

Ramp scaling is the relationship between the change in velocity and the required user-defined units (usr_a).

Scaling Factor

Ramp scaling is specified by means of scaling factor:

$$\frac{\text{Velocity change per second}}{\text{Number of user-defined units [usr_a]}}$$

Factory Setting

The following factory settings are used:

- A change of 1 motor revolution per minute per second corresponds to 1 user-defined unit.

Parameter name HMI menu HMI name	Description	Unit Minimum value Factory setting Maximum value	Data type R/W Persistent Expert	Parameter address via fieldbus
ScaleRAMPnum	Ramp scaling: Numerator. Setting can only be modified if power stage is disabled. Modified settings become active immediately.	RPM/s 1 1 2147483647	INT32 R/W per. -	CANopen 3006:31 _h Modbus 1634 Profibus 1634 CIP 106.1.49 ModbusTCP 1634 EtherCAT 3006:31 _h PROFINET 1634
ScaleRAMPdenom	Ramp scaling: Denominator. See numerator (ScaleRAMPnum) for a description. A new scaling is activated when the numerator value is supplied. Setting can only be modified if power stage is disabled.	usr_a 1 1 2147483647	INT32 R/W per. -	CANopen 3006:30 _h Modbus 1632 Profibus 1632 CIP 106.1.48 ModbusTCP 1632 EtherCAT 3006:30 _h PROFINET 1632

Section 6.6

Digital Signal Inputs and Digital Signal Outputs

What Is in This Section?

This section contains the following topics:

Topic	Page
Parameterization of the Signal Input Functions	222
Parameterization of the Signal Output Functions	231
Parameterization of Software Debouncing	236

Parameterization of the Signal Input Functions

Signal Input Function

Various signal input functions can be assigned to the digital signal inputs.

Depending on the selected control mode and the selected operating mode, different signal input functions are assigned to the digital signal inputs.

⚠ WARNING
UNINTENDED EQUIPMENT OPERATION <ul style="list-style-type: none"> Verify that the wiring is appropriate for the factory settings and any subsequent parameterizations. Only start the system if there are no persons or obstructions in the zone of operation. Carefully run tests for all operating states and potential error situations when commissioning, upgrading or otherwise modifying the operation of the drive. <p>Failure to follow these instructions can result in death, serious injury, or equipment damage.</p>

Factory Settings

The table below shows the factory settings of the digital signal inputs depending on the selected operating mode in local control mode:

Signal	Jog	Electronic Gear	Profile Torque	Profile Velocity	Motion Sequence
DI0	Enable	Enable	Enable	Enable	Enable
DI1	Fault Reset	Fault Reset	Fault Reset	Fault Reset	Reference Switch (REF)
DI2	Positive Limit Switch (LIMP)	Positive Limit Switch (LIMP)	Operating Mode Switch	Operating Mode Switch	Positive Limit Switch (LIMP)
DI3	Negative Limit Switch (LIMN)	Negative Limit Switch (LIMN)	Velocity Limitation	Velocity Limitation	Negative Limit Switch (LIMN)
DI4	Jog negative	Gear Ratio Switch	Current Limitation	Zero Clamp	Start Motion Sequence
DI5	Jog positive	Halt	Halt	Halt	Data Set Select

The table below shows the factory settings of the digital signal inputs in fieldbus control mode:

Signal	Signal input function
DI0	Freely Available
DI1	Reference Switch (REF)
DI2	Positive Limit Switch (LIMP)
DI3	Negative Limit Switch (LIMN)
DI4	Freely Available
DI5	Freely Available

Parameterization

The table below provides an overview of the possible signal input functions depending on the selected operating mode in local control mode:

Signal input function	Jog	Electronic Gear	Profile Torque	Profile Velocity	Motion Sequence	Description in chapter
Freely Available	•	•	•	•	•	Setting a Signal Output via Parameter <i>(see page 360)</i>
Fault Reset	•	•	•	•	•	Changing the Operating State via Signal Inputs <i>(see page 268)</i>

(1) Analog signal inputs are available with the IOM1 module.

Signal input function	Jog	Electronic Gear	Profile Torque	Profile Velocity	Motion Sequence	Description in chapter
Enable	•	•	•	•	•	Changing the Operating State via Signal Inputs <i>(see page 268)</i>
Halt	•	•	•	•	•	Stop Movement with Halt <i>(see page 351)</i>
Current Limitation	•	•	•	•	•	Limitation of the Current via Signal Inputs <i>(see page 357)</i>
Zero Clamp	•	•	•	•	•	Zero Clamp <i>(see page 359)</i>
Velocity Limitation	•	•	•	•	•	Limitation of the Velocity via Signal Inputs <i>(see page 355)</i>
Jog Positive	•					Operating Mode Jog <i>(see page 272)</i>
Jog Negative	•					Operating Mode Jog <i>(see page 272)</i>
Jog Fast/Slow	•					Operating Mode Jog <i>(see page 272)</i>
Gear Ratio Switch		•				Operating Mode Electronic Gear <i>(see page 281)</i>
Start Single Data Set					•	Operating Mode Motion Sequence <i>(see page 333)</i>
Data Set Select					•	Operating Mode Motion Sequence <i>(see page 333)</i>
Data Set Bit 0					•	Operating Mode Motion Sequence <i>(see page 333)</i>
Data Set Bit 1					•	Operating Mode Motion Sequence <i>(see page 333)</i>
Data Set Bit 2					•	Operating Mode Motion Sequence <i>(see page 333)</i>
Data Set Bit 3					•	Operating Mode Motion Sequence <i>(see page 333)</i>
Gear Offset 1		•				Operating Mode Electronic Gear <i>(see page 281)</i>
Gear Offset 2		•				Operating Mode Electronic Gear <i>(see page 281)</i>
Reference Switch (REF)	•	•	•	•	•	Reference Switch <i>(see page 378)</i>
Positive Limit Switch (LIMP)	•	•	•	•	•	Limit Switches <i>(see page 377)</i>
Negative Limit Switch (LIMN)	•	•	•	•	•	Limit Switches <i>(see page 377)</i>
Switch Controller Parameter Set	•	•	•	•	•	Switching Between Control Loop Parameter Sets <i>(see page 242)</i>
Operating Mode Switch		•	•	•		Starting and Changing an Operating Mode <i>(see page 270)</i>
Velocity Controller Integral Off	•	•	•	•	•	Switching Between Control Loop Parameter Sets <i>(see page 242)</i>
Start Motion Sequence					•	Operating Mode Motion Sequence <i>(see page 333)</i>

(1) Analog signal inputs are available with the IOM1 module.

Signal input function	Jog	Electronic Gear	Profile Torque	Profile Velocity	Motion Sequence	Description in chapter
Start Signal Of RMAC	•	•	•	•	•	Relative Movement After Capture (RMAC) <i>(see page 371)</i>
Activate RMAC	•	•	•	•	•	Relative Movement After Capture (RMAC) <i>(see page 371)</i>
Activate Operating Mode	•	•	•	•	•	Relative Movement After Capture (RMAC) <i>(see page 371)</i>
Data Set Bit 4					•	Operating Mode Motion Sequence <i>(see page 333)</i>
Data Set Bit 5					•	Operating Mode Motion Sequence <i>(see page 333)</i>
Data Set Bit 6					•	Operating Mode Motion Sequence <i>(see page 333)</i>
Inversion AI11 (IO Module) ⁽¹⁾			•	•		Inverting the Analog Signal Inputs <i>(see page 354)</i>
Inversion AI12 (IO Module) ⁽¹⁾			•	•		Inverting the Analog Signal Inputs <i>(see page 354)</i>
Release Holding Brake	•	•	•	•	•	Releasing the Holding Brake Manually <i>(see page 168)</i>

(1) Analog signal inputs are available with the IOM1 module.

The table below provides an overview of the possible signal input functions in fieldbus control mode:

Signal input function	Description in chapter
Freely Available	Setting a Signal Output via Parameter <i>(see page 360)</i>
Fault Reset	Changing the Operating State via Signal Inputs <i>(see page 268)</i>
Enable	Changing the Operating State via Signal Inputs <i>(see page 268)</i>
Halt	Stop Movement with Halt <i>(see page 351)</i>
Start Profile Positioning	Starting and Changing an Operating Mode <i>(see page 270)</i>
Current Limitation	Limitation of the Current via Signal Inputs <i>(see page 357)</i>
Zero Clamp	Zero Clamp <i>(see page 359)</i>
Velocity Limitation	Limitation of the Velocity via Signal Inputs <i>(see page 355)</i>
Gear Offset 1	Operating Mode Electronic Gear <i>(see page 281)</i>
Gear Offset 2	Operating Mode Electronic Gear <i>(see page 281)</i>
Reference Switch (REF)	Reference Switch <i>(see page 378)</i>
Positive Limit Switch (LIMP)	Limit Switches <i>(see page 377)</i>
Negative Limit Switch (LIMN)	Limit Switches <i>(see page 377)</i>
Switch Controller Parameter Set	Switching Between Control Loop Parameter Sets <i>(see page 242)</i>
Velocity Controller Integral Off	Switching Between Control Loop Parameter Sets <i>(see page 242)</i>
Start Signal Of RMAC	Relative Movement After Capture (RMAC) <i>(see page 371)</i>
Activate RMAC	Relative Movement After Capture (RMAC) <i>(see page 371)</i>
Release Holding Brake	Releasing the Holding Brake Manually <i>(see page 168)</i>

The following parameters can be used to parameterize the digital signal inputs:

Parameter name HMI menu HMI name	Description	Unit Minimum value Factory setting Maximum value	Data type R/W Persistent Expert	Parameter address via fieldbus
IOfunct_DI0 CONF → , - a - d , 0	<p>Function Input DI0.</p> <p>1 / Freely Available / none: Available as required</p> <p>2 / Fault Reset / FRES: Fault reset after error</p> <p>3 / Enable / ENRB: Enables the power stage</p> <p>4 / Halt / HALT: Halt</p> <p>5 / Start Profile Positioning / SPP: Start request for movement</p> <p>6 / Current Limitation / L , Π: Limits the current to parameter value</p> <p>7 / Zero Clamp / CLPP: Zero clamping</p> <p>8 / Velocity Limitation / VL , Π: Limits the velocity to parameter value</p> <p>9 / Jog Positive / JGP: Jog: Moves in positive direction</p> <p>10 / Jog Negative / JGN: Jog: Moves in negative direction</p> <p>11 / Jog Fast/Slow / JGF: Jog: Switches between slow and fast movement</p> <p>12 / Gear Ratio Switch / GRE: Electronic Gear: Switches between two gear ratios</p> <p>13 / Start Single Data Set / dSER: Motion Sequence: Starts a single data set</p> <p>14 / Data Set Select / dSEL: Motion Sequence: Data set selection</p> <p>15 / Data Set Bit 0 / dSB0: Motion Sequence: Data set bit 0</p> <p>16 / Data Set Bit 1 / dSB1: Motion Sequence: Data set bit 1</p> <p>17 / Data Set Bit 2 / dSB2: Motion Sequence: Data set bit 2</p> <p>18 / Data Set Bit 3 / dSB3: Motion Sequence: Data set bit 3</p> <p>19 / Gear Offset 1 / GOF1: Electronic Gear: Adds first gear offset</p> <p>20 / Gear Offset 2 / GOF2: Electronic Gear: Adds second gear offset</p> <p>21 / Reference Switch (REF) / REF: Reference switch</p> <p>22 / Positive Limit Switch (LIMP) / L , ΠP: Positive limit switch</p> <p>23 / Negative Limit Switch (LIMN) / L , ΠN: Negative limit switch</p> <p>24 / Switch Controller Parameter Set / CPR: Switches control loop parameter set</p> <p>27 / Operating Mode Switch / ΠSW: Switches operating mode</p> <p>28 / Velocity Controller Integral Off / ENOF: Switches off velocity controller integral term</p> <p>29 / Start Motion Sequence / SΠS: Motion Sequence: Starts a motion sequence</p> <p>30 / Start Signal Of RMAC / SRΠC: Start signal of relative movement after capture (RMAC)</p> <p>31 / Activate RMAC / RRΠC: Activates the relative movement after capture (RMAC)</p> <p>32 / Activate Operating Mode / ROP: Activates operating mode</p> <p>35 / Data Set Bit 4 / dSB4: Motion Sequence: Data set bit 4</p> <p>36 / Data Set Bit 5 / dSB5: Motion Sequence: Data set bit 5</p> <p>37 / Data Set Bit 6 / dSB6: Motion Sequence: Data set bit 6</p> <p>38 / Inversion AI11 (IO Module) / R I I , 1: Inverts analog input AI11 (I/O module)</p> <p>39 / Inversion AI12 (IO Module) / R I I , 2: Inverts analog input AI12 (I/O module)</p> <p>40 / Release Holding Brake / REHB: Releases the holding brake. Setting can only be modified if power stage is disabled. Modified settings become active the next time the product is powered on.</p>	- - - -	UINT16 R/W per. -	CANopen 3007:1 _h Modbus 1794 Profibus 1794 CIP 107.1.1 ModbusTCP 1794 EtherCAT 3007:1 _h PROFINET 1794

Parameter name HMI menu HMI name	Description	Unit Minimum value Factory setting Maximum value	Data type R/W Persistent Expert	Parameter address via fieldbus
IOfunct_DI1 C o n F → , - o - d , I	<p>Function Input DI1.</p> <p>1 / Freely Available / n o n E: Available as required</p> <p>2 / Fault Reset / F r E S: Fault reset after error</p> <p>3 / Enable / E n A b: Enables the power stage</p> <p>4 / Halt / h A L T: Halt</p> <p>5 / Start Profile Positioning / S P E P: Start request for movement</p> <p>6 / Current Limitation / , L , Π: Limits the current to parameter value</p> <p>7 / Zero Clamp / C L Π P: Zero clamping</p> <p>8 / Velocity Limitation / V L , Π: Limits the velocity to parameter value</p> <p>9 / Jog Positive / J o G P: Jog: Moves in positive direction</p> <p>10 / Jog Negative / J o G n: Jog: Moves in negative direction</p> <p>11 / Jog Fast/Slow / J o G F: Jog: Switches between slow and fast movement</p> <p>12 / Gear Ratio Switch / G r A T: Electronic Gear: Switches between two gear ratios</p> <p>13 / Start Single Data Set / d S E R: Motion Sequence: Starts a single data set</p> <p>14 / Data Set Select / d S E L: Motion Sequence: Data set selection</p> <p>15 / Data Set Bit 0 / d S b 0: Motion Sequence: Data set bit 0</p> <p>16 / Data Set Bit 1 / d S b 1: Motion Sequence: Data set bit 1</p> <p>17 / Data Set Bit 2 / d S b 2: Motion Sequence: Data set bit 2</p> <p>18 / Data Set Bit 3 / d S b 3: Motion Sequence: Data set bit 3</p> <p>19 / Gear Offset 1 / G o F 1: Electronic Gear: Adds first gear offset</p> <p>20 / Gear Offset 2 / G o F 2: Electronic Gear: Adds second gear offset</p> <p>21 / Reference Switch (REF) / r E F: Reference switch</p> <p>22 / Positive Limit Switch (LIMP) / L , Π P: Positive limit switch</p> <p>23 / Negative Limit Switch (LIMN) / L , Π n: Negative limit switch</p> <p>24 / Switch Controller Parameter Set / C P A r: Switches control loop parameter set</p> <p>27 / Operating Mode Switch / Π S W E: Switches operating mode</p> <p>28 / Velocity Controller Integral Off / E n o F: Switches off velocity controller integral term</p> <p>29 / Start Motion Sequence / S E Π S: Motion Sequence: Starts a motion sequence</p> <p>30 / Start Signal Of RMAC / S r Π c: Start signal of relative movement after capture (RMAC)</p> <p>31 / Activate RMAC / A r Π c: Activates the relative movement after capture (RMAC)</p> <p>32 / Activate Operating Mode / A c o P: Activates operating mode</p> <p>35 / Data Set Bit 4 / d S b 4: Motion Sequence: Data set bit 4</p> <p>36 / Data Set Bit 5 / d S b 5: Motion Sequence: Data set bit 5</p> <p>37 / Data Set Bit 6 / d S b 6: Motion Sequence: Data set bit 6</p> <p>38 / Inversion AI11 (IO Module) / A I 1 1: Inverts analog input AI11 (I/O module)</p> <p>39 / Inversion AI12 (IO Module) / A I 2 1: Inverts analog input AI12 (I/O module)</p> <p>40 / Release Holding Brake / r E h b: Releases the holding brake. Setting can only be modified if power stage is disabled. Modified settings become active the next time the product is powered on.</p>	- - - -	UINT16 R/W per. -	CANopen 3007:2 _h Modbus 1796 Profibus 1796 CIP 107.1.2 ModbusTCP 1796 EtherCAT 3007:2 _h PROFINET 1796

Parameter name HMI menu HMI name	Description	Unit Minimum value Factory setting Maximum value	Data type R/W Persistent Expert	Parameter address via fieldbus
IOfunct_DI2 CONF → , - a - di2	<p>Function Input DI2.</p> <p>1 / Freely Available / none: Available as required</p> <p>2 / Fault Reset / FRES: Fault reset after error</p> <p>3 / Enable / ENRB: Enables the power stage</p> <p>4 / Halt / HALT: Halt</p> <p>5 / Start Profile Positioning / SPP: Start request for movement</p> <p>6 / Current Limitation / LIP: Limits the current to parameter value</p> <p>7 / Zero Clamp / CLPP: Zero clamping</p> <p>8 / Velocity Limitation / VLP: Limits the velocity to parameter value</p> <p>9 / Jog Positive / JGP: Jog: Moves in positive direction</p> <p>10 / Jog Negative / JGN: Jog: Moves in negative direction</p> <p>11 / Jog Fast/Slow / JGF: Jog: Switches between slow and fast movement</p> <p>12 / Gear Ratio Switch / GRE: Electronic Gear: Switches between two gear ratios</p> <p>13 / Start Single Data Set / dSER: Motion Sequence: Starts a single data set</p> <p>14 / Data Set Select / dSEL: Motion Sequence: Data set selection</p> <p>15 / Data Set Bit 0 / dSB0: Motion Sequence: Data set bit 0</p> <p>16 / Data Set Bit 1 / dSB1: Motion Sequence: Data set bit 1</p> <p>17 / Data Set Bit 2 / dSB2: Motion Sequence: Data set bit 2</p> <p>18 / Data Set Bit 3 / dSB3: Motion Sequence: Data set bit 3</p> <p>19 / Gear Offset 1 / GOF1: Electronic Gear: Adds first gear offset</p> <p>20 / Gear Offset 2 / GOF2: Electronic Gear: Adds second gear offset</p> <p>21 / Reference Switch (REF) / REF: Reference switch</p> <p>22 / Positive Limit Switch (LIMP) / LIP: Positive limit switch</p> <p>23 / Negative Limit Switch (LIMN) / LIN: Negative limit switch</p> <p>24 / Switch Controller Parameter Set / CPR: Switches control loop parameter set</p> <p>27 / Operating Mode Switch / PSE: Switches operating mode</p> <p>28 / Velocity Controller Integral Off / ENOF: Switches off velocity controller integral term</p> <p>29 / Start Motion Sequence / SEP: Motion Sequence: Starts a motion sequence</p> <p>30 / Start Signal Of RMAC / SRP: Start signal of relative movement after capture (RMAC)</p> <p>31 / Activate RMAC / ARP: Activates the relative movement after capture (RMAC)</p> <p>32 / Activate Operating Mode / ROP: Activates operating mode</p> <p>35 / Data Set Bit 4 / dSB4: Motion Sequence: Data set bit 4</p> <p>36 / Data Set Bit 5 / dSB5: Motion Sequence: Data set bit 5</p> <p>37 / Data Set Bit 6 / dSB6: Motion Sequence: Data set bit 6</p> <p>38 / Inversion AI11 (IO Module) / RII: Inverts analog input AI11 (I/O module)</p> <p>39 / Inversion AI12 (IO Module) / RI2: Inverts analog input AI12 (I/O module)</p> <p>40 / Release Holding Brake / REHB: Releases the holding brake. Setting can only be modified if power stage is disabled. Modified settings become active the next time the product is powered on.</p>	- - - -	UINT16 R/W per. -	CANopen 3007:3 _h Modbus 1798 Profibus 1798 CIP 107.1.3 ModbusTCP 1798 EtherCAT 3007:3 _h PROFINET 1798

Parameter name HMI menu HMI name	Description	Unit Minimum value Factory setting Maximum value	Data type R/W Persistent Expert	Parameter address via fieldbus
IOfunct_DI3 CONF → , - o - d , 3	<p>Function Input DI3.</p> <p>1 / Freely Available / none: Available as required</p> <p>2 / Fault Reset / FRES: Fault reset after error</p> <p>3 / Enable / ENRB: Enables the power stage</p> <p>4 / Halt / HALT: Halt</p> <p>5 / Start Profile Positioning / SPPE: Start request for movement</p> <p>6 / Current Limitation / ILI: Limits the current to parameter value</p> <p>7 / Zero Clamp / CLNP: Zero clamping</p> <p>8 / Velocity Limitation / VLI: Limits the velocity to parameter value</p> <p>9 / Jog Positive / JOGP: Jog: Moves in positive direction</p> <p>10 / Jog Negative / JOGN: Jog: Moves in negative direction</p> <p>11 / Jog Fast/Slow / JOGF: Jog: Switches between slow and fast movement</p> <p>12 / Gear Ratio Switch / GRRE: Electronic Gear: Switches between two gear ratios</p> <p>13 / Start Single Data Set / dSER: Motion Sequence: Starts a single data set</p> <p>14 / Data Set Select / dSEL: Motion Sequence: Data set selection</p> <p>15 / Data Set Bit 0 / dSB0: Motion Sequence: Data set bit 0</p> <p>16 / Data Set Bit 1 / dSB1: Motion Sequence: Data set bit 1</p> <p>17 / Data Set Bit 2 / dSB2: Motion Sequence: Data set bit 2</p> <p>18 / Data Set Bit 3 / dSB3: Motion Sequence: Data set bit 3</p> <p>19 / Gear Offset 1 / GOF1: Electronic Gear: Adds first gear offset</p> <p>20 / Gear Offset 2 / GOF2: Electronic Gear: Adds second gear offset</p> <p>21 / Reference Switch (REF) / REF: Reference switch</p> <p>22 / Positive Limit Switch (LIMP) / LIP: Positive limit switch</p> <p>23 / Negative Limit Switch (LIMN) / LIN: Negative limit switch</p> <p>24 / Switch Controller Parameter Set / CPAR: Switches control loop parameter set</p> <p>27 / Operating Mode Switch / NSW: Switches operating mode</p> <p>28 / Velocity Controller Integral Off / ENOF: Switches off velocity controller integral term</p> <p>29 / Start Motion Sequence / SEN: Motion Sequence: Starts a motion sequence</p> <p>30 / Start Signal Of RMAC / SRN: Start signal of relative movement after capture (RMAC)</p> <p>31 / Activate RMAC / RAN: Activates the relative movement after capture (RMAC)</p> <p>32 / Activate Operating Mode / ROP: Activates operating mode</p> <p>35 / Data Set Bit 4 / dSB4: Motion Sequence: Data set bit 4</p> <p>36 / Data Set Bit 5 / dSB5: Motion Sequence: Data set bit 5</p> <p>37 / Data Set Bit 6 / dSB6: Motion Sequence: Data set bit 6</p> <p>38 / Inversion AI11 (IO Module) / AI11: Inverts analog input AI11 (I/O module)</p> <p>39 / Inversion AI12 (IO Module) / AI12: Inverts analog input AI12 (I/O module)</p> <p>40 / Release Holding Brake / REHB: Releases the holding brake. Setting can only be modified if power stage is disabled. Modified settings become active the next time the product is powered on.</p>	- - - -	UINT16 R/W per. -	CANopen 3007:4 _h Modbus 1800 Profibus 1800 CIP 107.1.4 ModbusTCP 1800 EtherCAT 3007:4 _h PROFINET 1800

Parameter name HMI menu HMI name	Description	Unit Minimum value Factory setting Maximum value	Data type R/W Persistent Expert	Parameter address via fieldbus
IOfunct_DI4 CONF → , - a - d , 4	<p>Function Input DI4.</p> <p>1 / Freely Available / none: Available as required</p> <p>2 / Fault Reset / FRES: Fault reset after error</p> <p>3 / Enable / ENRB: Enables the power stage</p> <p>4 / Halt / HALT: Halt</p> <p>5 / Start Profile Positioning / SPP: Start request for movement</p> <p>6 / Current Limitation / LIP: Limits the current to parameter value</p> <p>7 / Zero Clamp / CLNP: Zero clamping</p> <p>8 / Velocity Limitation / VLP: Limits the velocity to parameter value</p> <p>9 / Jog Positive / JGP: Jog: Moves in positive direction</p> <p>10 / Jog Negative / JGN: Jog: Moves in negative direction</p> <p>11 / Jog Fast/Slow / JGF: Jog: Switches between slow and fast movement</p> <p>12 / Gear Ratio Switch / GRE: Electronic Gear: Switches between two gear ratios</p> <p>13 / Start Single Data Set / dSER: Motion Sequence: Starts a single data set</p> <p>14 / Data Set Select / dSEL: Motion Sequence: Data set selection</p> <p>15 / Data Set Bit 0 / dSB0: Motion Sequence: Data set bit 0</p> <p>16 / Data Set Bit 1 / dSB1: Motion Sequence: Data set bit 1</p> <p>17 / Data Set Bit 2 / dSB2: Motion Sequence: Data set bit 2</p> <p>18 / Data Set Bit 3 / dSB3: Motion Sequence: Data set bit 3</p> <p>19 / Gear Offset 1 / GOF1: Electronic Gear: Adds first gear offset</p> <p>20 / Gear Offset 2 / GOF2: Electronic Gear: Adds second gear offset</p> <p>21 / Reference Switch (REF) / REF: Reference switch</p> <p>22 / Positive Limit Switch (LIMP) / LIP: Positive limit switch</p> <p>23 / Negative Limit Switch (LIMN) / LIN: Negative limit switch</p> <p>24 / Switch Controller Parameter Set / CPR: Switches control loop parameter set</p> <p>27 / Operating Mode Switch / PSE: Switches operating mode</p> <p>28 / Velocity Controller Integral Off / ENOF: Switches off velocity controller integral term</p> <p>29 / Start Motion Sequence / SEP: Motion Sequence: Starts a motion sequence</p> <p>30 / Start Signal Of RMAC / SRP: Start signal of relative movement after capture (RMAC)</p> <p>31 / Activate RMAC / ARP: Activates the relative movement after capture (RMAC)</p> <p>32 / Activate Operating Mode / ROP: Activates operating mode</p> <p>35 / Data Set Bit 4 / dSB4: Motion Sequence: Data set bit 4</p> <p>36 / Data Set Bit 5 / dSB5: Motion Sequence: Data set bit 5</p> <p>37 / Data Set Bit 6 / dSB6: Motion Sequence: Data set bit 6</p> <p>38 / Inversion AI11 (IO Module) / RII1: Inverts analog input AI11 (I/O module)</p> <p>39 / Inversion AI12 (IO Module) / RII2: Inverts analog input AI12 (I/O module)</p> <p>40 / Release Holding Brake / REHB: Releases the holding brake. Setting can only be modified if power stage is disabled. Modified settings become active the next time the product is powered on.</p>	- - - -	UINT16 R/W per. -	CANopen 3007:5 _h Modbus 1802 Profibus 1802 CIP 107.1.5 ModbusTCP 1802 EtherCAT 3007:5 _h PROFINET 1802

Parameter name HMI menu HMI name	Description	Unit Minimum value Factory setting Maximum value	Data type R/W Persistent Expert	Parameter address via fieldbus
IOfunct_DI5 CONF → , - a - d , 5	<p>Function Input DI5.</p> <p>1 / Freely Available / none: Available as required</p> <p>2 / Fault Reset / FRES: Fault reset after error</p> <p>3 / Enable / ENRB: Enables the power stage</p> <p>4 / Halt / HALT: Halt</p> <p>5 / Start Profile Positioning / SPPE: Start request for movement</p> <p>6 / Current Limitation / ILI: Limits the current to parameter value</p> <p>7 / Zero Clamp / CLNP: Zero clamping</p> <p>8 / Velocity Limitation / VLI: Limits the velocity to parameter value</p> <p>9 / Jog Positive / JOGP: Jog: Moves in positive direction</p> <p>10 / Jog Negative / JOGN: Jog: Moves in negative direction</p> <p>11 / Jog Fast/Slow / JOGF: Jog: Switches between slow and fast movement</p> <p>12 / Gear Ratio Switch / GRRE: Electronic Gear: Switches between two gear ratios</p> <p>13 / Start Single Data Set / dSER: Motion Sequence: Starts a single data set</p> <p>14 / Data Set Select / dSEL: Motion Sequence: Data set selection</p> <p>15 / Data Set Bit 0 / dSB0: Motion Sequence: Data set bit 0</p> <p>16 / Data Set Bit 1 / dSB1: Motion Sequence: Data set bit 1</p> <p>17 / Data Set Bit 2 / dSB2: Motion Sequence: Data set bit 2</p> <p>18 / Data Set Bit 3 / dSB3: Motion Sequence: Data set bit 3</p> <p>19 / Gear Offset 1 / GOF1: Electronic Gear: Adds first gear offset</p> <p>20 / Gear Offset 2 / GOF2: Electronic Gear: Adds second gear offset</p> <p>21 / Reference Switch (REF) / REF: Reference switch</p> <p>22 / Positive Limit Switch (LIMP) / LIP: Positive limit switch</p> <p>23 / Negative Limit Switch (LIMN) / LIN: Negative limit switch</p> <p>24 / Switch Controller Parameter Set / CPAR: Switches control loop parameter set</p> <p>27 / Operating Mode Switch / OSWE: Switches operating mode</p> <p>28 / Velocity Controller Integral Off / ENOF: Switches off velocity controller integral term</p> <p>29 / Start Motion Sequence / SEPS: Motion Sequence: Starts a motion sequence</p> <p>30 / Start Signal Of RMAC / SRPC: Start signal of relative movement after capture (RMAC)</p> <p>31 / Activate RMAC / RRPC: Activates the relative movement after capture (RMAC)</p> <p>32 / Activate Operating Mode / ROP: Activates operating mode</p> <p>35 / Data Set Bit 4 / dSB4: Motion Sequence: Data set bit 4</p> <p>36 / Data Set Bit 5 / dSB5: Motion Sequence: Data set bit 5</p> <p>37 / Data Set Bit 6 / dSB6: Motion Sequence: Data set bit 6</p> <p>38 / Inversion AI11 (IO Module) / AI11: Inverts analog input AI11 (I/O module)</p> <p>39 / Inversion AI12 (IO Module) / AI12: Inverts analog input AI12 (I/O module)</p> <p>40 / Release Holding Brake / REHB: Releases the holding brake. Setting can only be modified if power stage is disabled. Modified settings become active the next time the product is powered on.</p>	- - - -	UINT16 R/W per. -	CANopen 3007:6 _h Modbus 1804 Profibus 1804 CIP 107.1.6 ModbusTCP 1804 EtherCAT 3007:6 _h PROFINET 1804

Parameterization of the Signal Output Functions

Signal Output Function

Various signal output functions can be assigned to the digital signal outputs.

Depending on the selected control mode and the selected operating mode, different signal output functions are assigned to the digital signal outputs.

In the case of a detected error the state of the signal outputs remains active according to assigned signal output function.

WARNING

UNINTENDED EQUIPMENT OPERATION

- Verify that the wiring is appropriate for the factory settings and any subsequent parameterizations.
- Only start the system if there are no persons or obstructions in the zone of operation.
- Carefully run tests for all operating states and potential error situations when commissioning, upgrading or otherwise modifying the operation of the drive.

Failure to follow these instructions can result in death, serious injury, or equipment damage.

Factory Settings

The table below shows the factory settings of the digital signal outputs depending on the selected operating mode in local control mode:

Signal	Jog	Electronic Gear	Profile Torque	Profile Velocity	Motion Sequence
DQ0	No Fault	No Fault	No Fault	No Fault	Motion Sequence: Done
DQ1	Active	Active	Active	Active	Active
DQ2	In Position Deviation Window	In Position Deviation Window	Current Below Threshold	In Velocity Deviation Window	Motion Sequence: Start Acknowledge

The table below shows the factory settings of the digital signal outputs in fieldbus control mode:

Signal	Signal output function
DQ0	No Fault
DQ1	Active
DQ2	Freely Available

Parameterization

The table below provides an overview of the possible signal output functions depending on the selected operating mode in local control mode:

Signal output function	Jog	Electronic Gear	Profile Torque	Profile Velocity	Motion Sequence	Description in chapter
Freely Available	•	•	•	•	•	Setting a Signal Output via Parameter (<i>see page 360</i>)
No Fault	•	•	•	•	•	Indication of the Operating State via Signal Inputs (<i>see page 265</i>)
Active	•	•	•	•	•	Indication of the Operating State via Signal Inputs (<i>see page 265</i>)
RMAC Active Or Finished	•	•	•	•	•	Relative Movement After Capture (RMAC) (<i>see page 371</i>)
In Position Deviation Window	•	•			•	Position Deviation Window (<i>see page 395</i>)
In Velocity Deviation Window	•	•		•	•	Velocity Deviation Window (<i>see page 397</i>)

Signal output function	Jog	Electronic Gear	Profile Torque	Profile Velocity	Motion Sequence	Description in chapter
Velocity Below Threshold	•	•	•	•	•	Velocity Threshold Value <i>(see page 399)</i>
Current Below Threshold	•	•	•	•	•	Current Threshold Value <i>(see page 400)</i>
Halt Acknowledge	•	•	•	•	•	Stop Movement with Halt <i>(see page 351)</i>
Motion Sequence: Start Acknowledge					•	Operating Mode Motion Sequence <i>(see page 333)</i>
Motor Standstill	•	•	•	•	•	Motor Standstill and Direction of Movement <i>(see page 385)</i>
Selected Error	•	•	•	•	•	Indicating Error Messages <i>(see page 424)</i>
Drive Referenced (ref_ok)					•	Operating Mode Homing <i>(see page 320)</i>
Selected Warning	•	•	•	•	•	Indicating Error Messages <i>(see page 424)</i>
Motion Sequence: Done					•	Operating Mode Motion Sequence <i>(see page 333)</i>
Motor Moves Positive	•	•	•	•	•	Motor Standstill and Direction of Movement <i>(see page 385)</i>
Motor Moves Negative	•	•	•	•	•	Motor Standstill and Direction of Movement <i>(see page 385)</i>

The table below provides an overview of the possible signal output functions in fieldbus control mode:

Signal output function	Description in chapter
Freely Available	Setting a Signal Output via Parameter <i>(see page 360)</i>
No Fault	Indication of the Operating State via Signal Inputs <i>(see page 265)</i>
Active	Indication of the Operating State via Signal Inputs <i>(see page 265)</i>
RMAC Active Or Finished	Relative Movement After Capture (RMAC) <i>(see page 371)</i>
In Position Deviation Window	Position Deviation Window <i>(see page 395)</i>
In Velocity Deviation Window	Velocity Deviation Window <i>(see page 397)</i>
Velocity Below Threshold	Velocity Threshold Value <i>(see page 399)</i>
Current Below Threshold	Current Threshold Value <i>(see page 400)</i>
Halt Acknowledge	Stop Movement with Halt <i>(see page 351)</i>
Motion Sequence: Start Acknowledge	Operating Mode Motion Sequence <i>(see page 333)</i>
Motor Standstill	Motor Standstill and Direction of Movement <i>(see page 385)</i>
Selected Error	Indicating Error Messages <i>(see page 424)</i>
Drive Referenced (ref_ok)	Operating Mode Homing <i>(see page 320)</i>
Selected Warning	Indicating Error Messages <i>(see page 424)</i>
Motion Sequence: Done	Operating Mode Motion Sequence <i>(see page 333)</i>
Position Register Channel 1	Position Register <i>(see page 390)</i>
Position Register Channel 2	Position Register <i>(see page 390)</i>
Position Register Channel 3	Position Register <i>(see page 390)</i>
Position Register Channel 4	Position Register <i>(see page 390)</i>
Motor Moves Positive	Motor Standstill and Direction of Movement <i>(see page 385)</i>
Motor Moves Negative	Motor Standstill and Direction of Movement <i>(see page 385)</i>

The following parameters can be used to parameterize the digital signal outputs:

Parameter name HMI menu HMI name	Description	Unit Minimum value Factory setting Maximum value	Data type R/W Persistent Expert	Parameter address via fieldbus
IOfuncct_DQ0 CONF → I - O - DQ0	<p>Function Output DQ0.</p> <p>1 / Freely Available / n o n E: Available as required</p> <p>2 / No Fault / n F L t: Signals operating states Ready To Switch On, Switched On and Operation Enabled</p> <p>3 / Active / R c t i: Signals operating state Operation Enabled</p> <p>4 / RMAC Active Or Finished / r n c R: Relative movement after capture active or finished (RMAC)</p> <p>5 / In Position Deviation Window / i n - P: Position deviation is within window</p> <p>6 / In Velocity Deviation Window / i n - V: Velocity deviation is within window</p> <p>7 / Velocity Below Threshold / V t h r: Motor velocity below threshold</p> <p>8 / Current Below Threshold / i t h r: Motor current below threshold</p> <p>9 / Halt Acknowledge / h A L t: Halt acknowledgement</p> <p>11 / Motion Sequence: Start Acknowledge / d S R c: Motion Sequence: Acknowledgement of start request</p> <p>13 / Motor Standstill / n S t d: Motor at a standstill</p> <p>14 / Selected Error / S E r r: One of the specified errors of error classes 1 ... 4 is active</p> <p>15 / Valid Reference (ref_ok) / r E F o: Zero point is valid (ref_ok)</p> <p>16 / Selected Warning / S W r n: One of the specified errors of error class 0 is active</p> <p>17 / Motion Sequence: Done / n S c o: Motion Sequence: Sequence done</p> <p>18 / Position Register Channel 1 / P r c 1: Position register channel 1</p> <p>19 / Position Register Channel 2 / P r c 2: Position register channel 2</p> <p>20 / Position Register Channel 3 / P r c 3: Position register channel 3</p> <p>21 / Position Register Channel 4 / P r c 4: Position register channel 4</p> <p>22 / Motor Moves Positive / n P o s: Motor moves in positive direction</p> <p>23 / Motor Moves Negative / n n E g: Motor moves in negative direction Setting can only be modified if power stage is disabled. Modified settings become active the next time the product is powered on.</p>	- - - -	UINT16 R/W per. -	CANopen 3007:9 _h Modbus 1810 Profibus 1810 CIP 107.1.9 ModbusTCP 1810 EtherCAT 3007:9 _h PROFINET 1810

Parameter name HMI menu HMI name	Description	Unit Minimum value Factory setting Maximum value	Data type R/W Persistent Expert	Parameter address via fieldbus
IOfunct_DQ1 CONF → I - O - DOI	<p>Function Output DQ1.</p> <p>1 / Freely Available / n o n E: Available as required</p> <p>2 / No Fault / n F L t: Signals operating states Ready To Switch On, Switched On and Operation Enabled</p> <p>3 / Active / R c t i: Signals operating state Operation Enabled</p> <p>4 / RMAC Active Or Finished / r n c R: Relative movement after capture active or finished (RMAC)</p> <p>5 / In Position Deviation Window / i n - P: Position deviation is within window</p> <p>6 / In Velocity Deviation Window / i n - V: Velocity deviation is within window</p> <p>7 / Velocity Below Threshold / V t h r: Motor velocity below threshold</p> <p>8 / Current Below Threshold / i t h r: Motor current below threshold</p> <p>9 / Halt Acknowledge / h A L t: Halt acknowledgement</p> <p>11 / Motion Sequence: Start Acknowledge / d S R c: Motion Sequence: Acknowledgement of start request</p> <p>13 / Motor Standstill / n S t d: Motor at a standstill</p> <p>14 / Selected Error / S E r r: One of the specified errors of error classes 1 ... 4 is active</p> <p>15 / Valid Reference (ref_ok) / r E F o: Zero point is valid (ref_ok)</p> <p>16 / Selected Warning / S W r n: One of the specified errors of error class 0 is active</p> <p>17 / Motion Sequence: Done / n S c o: Motion Sequence: Sequence done</p> <p>18 / Position Register Channel 1 / P r c 1: Position register channel 1</p> <p>19 / Position Register Channel 2 / P r c 2: Position register channel 2</p> <p>20 / Position Register Channel 3 / P r c 3: Position register channel 3</p> <p>21 / Position Register Channel 4 / P r c 4: Position register channel 4</p> <p>22 / Motor Moves Positive / n P o s: Motor moves in positive direction</p> <p>23 / Motor Moves Negative / n n E g: Motor moves in negative direction</p> <p>Setting can only be modified if power stage is disabled.</p> <p>Modified settings become active the next time the product is powered on.</p>	- - - -	UINT16 R/W per. -	CANopen 3007:A _h Modbus 1812 Profibus 1812 CIP 107.1.10 ModbusTCP 1812 EtherCAT 3007:A _h PROFINET 1812

Parameter name HMI menu HMI name	Description	Unit Minimum value Factory setting Maximum value	Data type R/W Persistent Expert	Parameter address via fieldbus
IOfunct_DQ2 CONF → I - O - DQ2	<p>Function Output DQ2.</p> <p>1 / Freely Available / non E: Available as required</p> <p>2 / No Fault / nFL E: Signals operating states Ready To Switch On, Switched On and Operation Enabled</p> <p>3 / Active / R E t: Signals operating state Operation Enabled</p> <p>4 / RMAC Active Or Finished / r P c R: Relative movement after capture active or finished (RMAC)</p> <p>5 / In Position Deviation Window / i n - P: Position deviation is within window</p> <p>6 / In Velocity Deviation Window / i n - V: Velocity deviation is within window</p> <p>7 / Velocity Below Threshold / V E h r: Motor velocity below threshold</p> <p>8 / Current Below Threshold / i E h r: Motor current below threshold</p> <p>9 / Halt Acknowledge / h R L E: Halt acknowledgement</p> <p>11 / Motion Sequence: Start Acknowledge / d S R c: Motion Sequence: Acknowledgement of start request</p> <p>13 / Motor Standstill / n S E d: Motor at a standstill</p> <p>14 / Selected Error / S E r r: One of the specified errors of error classes 1 ... 4 is active</p> <p>15 / Valid Reference (ref_ok) / r E F o: Zero point is valid (ref_ok)</p> <p>16 / Selected Warning / S W r n: One of the specified errors of error class 0 is active</p> <p>17 / Motion Sequence: Done / n S C o: Motion Sequence: Sequence done</p> <p>18 / Position Register Channel 1 / P r C 1: Position register channel 1</p> <p>19 / Position Register Channel 2 / P r C 2: Position register channel 2</p> <p>20 / Position Register Channel 3 / P r C 3: Position register channel 3</p> <p>21 / Position Register Channel 4 / P r C 4: Position register channel 4</p> <p>22 / Motor Moves Positive / n P o S: Motor moves in positive direction</p> <p>23 / Motor Moves Negative / n n E G: Motor moves in negative direction</p> <p>Setting can only be modified if power stage is disabled.</p> <p>Modified settings become active the next time the product is powered on.</p>	- - - -	UINT16 R/W per. -	CANopen 3007:B _h Modbus 1814 Profibus 1814 CIP 107.1.11 ModbusTCP 1814 EtherCAT 3007:B _h PROFINET 1814

Parameterization of Software Debouncing

Debounce Time

Signal input debouncing comprises hardware debouncing and software debouncing.

Hardware debounce time is permanently set, see chapter Signals, Hardware switching time (*see page 42*).

When a set signal function is changed and when the product is power cycled, software debouncing is reset to the factory setting.

The software debounce time can be set via the following parameters.

Parameter name HMI menu HMI name	Description	Unit Minimum value Factory setting Maximum value	Data type R/W Persistent Expert	Parameter address via fieldbus
DI_0_Debounce	Debounce time of DI0. 0 / No: No software debouncing 1 / 0.25 ms: 0.25 ms 2 / 0.50 ms: 0.50 ms 3 / 0.75 ms: 0.75 ms 4 / 1.00 ms: 1.00 ms 5 / 1.25 ms: 1.25 ms 6 / 1.50 ms: 1.50 ms Setting can only be modified if power stage is disabled. Modified settings become active immediately.	- 0 6 6	UINT16 R/W per. -	CANopen 3008:20 _h Modbus 2112 Profibus 2112 CIP 108.1.32 ModbusTCP 2112 EtherCAT 3008:20 _h PROFINET 2112
DI_1_Debounce	Debounce time of DI1. 0 / No: No software debouncing 1 / 0.25 ms: 0.25 ms 2 / 0.50 ms: 0.50 ms 3 / 0.75 ms: 0.75 ms 4 / 1.00 ms: 1.00 ms 5 / 1.25 ms: 1.25 ms 6 / 1.50 ms: 1.50 ms Setting can only be modified if power stage is disabled. Modified settings become active immediately.	- 0 6 6	UINT16 R/W per. -	CANopen 3008:21 _h Modbus 2114 Profibus 2114 CIP 108.1.33 ModbusTCP 2114 EtherCAT 3008:21 _h PROFINET 2114
DI_2_Debounce	Debounce time of DI2. 0 / No: No software debouncing 1 / 0.25 ms: 0.25 ms 2 / 0.50 ms: 0.50 ms 3 / 0.75 ms: 0.75 ms 4 / 1.00 ms: 1.00 ms 5 / 1.25 ms: 1.25 ms 6 / 1.50 ms: 1.50 ms Setting can only be modified if power stage is disabled. Modified settings become active immediately.	- 0 6 6	UINT16 R/W per. -	CANopen 3008:22 _h Modbus 2116 Profibus 2116 CIP 108.1.34 ModbusTCP 2116 EtherCAT 3008:22 _h PROFINET 2116
DI_3_Debounce	Debounce time of DI3. 0 / No: No software debouncing 1 / 0.25 ms: 0.25 ms 2 / 0.50 ms: 0.50 ms 3 / 0.75 ms: 0.75 ms 4 / 1.00 ms: 1.00 ms 5 / 1.25 ms: 1.25 ms 6 / 1.50 ms: 1.50 ms Setting can only be modified if power stage is disabled. Modified settings become active immediately.	- 0 6 6	UINT16 R/W per. -	CANopen 3008:23 _h Modbus 2118 Profibus 2118 CIP 108.1.35 ModbusTCP 2118 EtherCAT 3008:23 _h PROFINET 2118

Parameter name HMI menu HMI name	Description	Unit Minimum value Factory setting Maximum value	Data type R/W Persistent Expert	Parameter address via fieldbus
DI_4_Debounce	Debounce time of DI4. 0 / No: No software debouncing 1 / 0.25 ms: 0.25 ms 2 / 0.50 ms: 0.50 ms 3 / 0.75 ms: 0.75 ms 4 / 1.00 ms: 1.00 ms 5 / 1.25 ms: 1.25 ms 6 / 1.50 ms: 1.50 ms Setting can only be modified if power stage is disabled. Modified settings become active immediately.	- 0 6 6	UINT16 R/W per. -	CANopen 3008:24 _h Modbus 2120 Profibus 2120 CIP 108.1.36 ModbusTCP 2120 EtherCAT 3008:24 _h PROFINET 2120
DI_5_Debounce	Debounce time of DI5. 0 / No: No software debouncing 1 / 0.25 ms: 0.25 ms 2 / 0.50 ms: 0.50 ms 3 / 0.75 ms: 0.75 ms 4 / 1.00 ms: 1.00 ms 5 / 1.25 ms: 1.25 ms 6 / 1.50 ms: 1.50 ms Setting can only be modified if power stage is disabled. Modified settings become active immediately.	- 0 6 6	UINT16 R/W per. -	CANopen 3008:25 _h Modbus 2122 Profibus 2122 CIP 108.1.37 ModbusTCP 2122 EtherCAT 3008:25 _h PROFINET 2122

Section 6.7

PTI and PTO Interface

What Is in This Section?

This section contains the following topics:

Topic	Page
Setting the PTI Interface	239
Setting the PTO Interface	240

Setting the PTI Interface

Type of Reference Value Signal

A/B signals, P/D signals or CW/CCW signals can be connected to the PTI interface.

- Set the type of reference value signal for the PTI interface with the parameter `PTI_signal_type`.

Parameter name HMI menu HMI name	Description	Unit Minimum value Factory setting Maximum value	Data type R/W Persistent Expert	Parameter address via fieldbus
<code>PTI_signal_type</code> <code>CONF → i - o - i o P ,</code>	Type of reference value signal for PTI interface. 0 / A/B Signals / <i>Rb</i> : Signals ENC_A and ENC_B (quadruple evaluation) 1 / P/D Signals / <i>Pd</i> : Signals PULSE and DIR 2 / CW/CCW Signals / <i>cWcC</i> : Signals clockwise and counterclockwise Setting can only be modified if power stage is disabled. Modified settings become active the next time the product is powered on.	- 0 0 2	UINT16 R/W per. -	CANopen 3005:2 _h Modbus 1284 Profibus 1284 CIP 105.1.2 ModbusTCP 1284 EtherCAT 3005:2 _h PROFINET 1284

Inverting the Reference Value Signals

The direction of counting of the reference value signals at the PTI interface can be inverted by means of the parameter `InvertDirOfCount`.

- Activate or deactivate inversion of the direction of counting by means of the parameter `InvertDirOfCount`.

Parameter name HMI menu HMI name	Description	Unit Minimum value Factory setting Maximum value	Data type R/W Persistent Expert	Parameter address via fieldbus
<code>InvertDirOfCount</code>	Inversion of direction of counting at PTI interface. 0 / Inversion Off : Inversion of direction of counting is off 1 / Inversion On : Inversion of direction of counting is on Modified settings become active immediately.	- 0 0 1	UINT16 R/W per. -	CANopen 3008:7 _h Modbus 2062 Profibus 2062 CIP 108.1.7 ModbusTCP 2062 EtherCAT 3008:7 _h PROFINET 2062

Setting the Position Value

The position value at the PTI interface can be set manually by means of the parameter `p_PTl_act_set`.

Parameter name HMI menu HMI name	Description	Unit Minimum value Factory setting Maximum value	Data type R/W Persistent Expert	Parameter address via fieldbus
<code>p_PTl_act_set</code>	Position value at PTI interface. Available with firmware version ≥V01.26.	Inc -2147483648 - 2147483647	INT32 R/W - -	CANopen 3008:29 _h Modbus 2130 Profibus 2130 CIP 108.1.41 ModbusTCP 2130 EtherCAT 3008:29 _h PROFINET 2130

Setting the PTO Interface

Type of Usage of PTO Interface

The PTO interface allows you to make reference value signals from the device externally available.

The PTO interface can be used in several ways:

- Encoder simulation based on a position value
- Encoder simulation based on reference current
- PTI signal

The parameter `PTO_mode` lets you set the way the PTO interface is used.

Parameter name HMI menu HMI name	Description	Unit Minimum value Factory setting Maximum value	Data type R/W Persistent Expert	Parameter address via fieldbus
<code>PTO_mode</code> <i>C o n F → A C G - P t o n</i>	Type of usage of PTO interface. 0 / Off / o f f : PTO interface disabled 1 / Esim pAct Enc 1 / P E n 1 : Encoder simulation based on actual position of encoder 1 2 / Esim pRef / P r e f : Encoder simulation based on reference position (<code>_p_ref</code>) 3 / PTI Signal / P t i : Directly the signal from PTI interface 4 / Esim pAct Enc 2 / P E n 2 : Encoder simulation based on actual position of encoder 2 (module) 5 / Esim iqRef / i r e f : Encoder simulation based on reference current 6 / Esim pActRaw Enc2 / E n c 2 : Encoder simulation based on raw position value of encoder 2 (module) Setting can only be modified if power stage is disabled. Modified settings become active the next time the power stage is enabled.	- 0 0 6	UINT16 R/W per. -	CANopen 3005:1F _h Modbus 1342 Profibus 1342 CIP 105.1.31 ModbusTCP 1342 EtherCAT 3005:1F _h PROFINET 1342

Encoder Simulation Based on a Position Value

The following types of encoder simulation based on a position value are possible:

- Encoder simulation based on actual position of encoder 1
- Encoder simulation based on the reference position values (`_p_ref`)
- Encoder simulation based on actual position of encoder 2
- Encoder simulation based on raw position value (parameter `ResolENC2`) of encoder 2 (with firmware version $\geq V01.26$)

The resolution for the encoder simulation is set with the parameter `ESIM_scale`.

Parameter name HMI menu HMI name	Description	Unit Minimum value Factory setting Maximum value	Data type R/W Persistent Expert	Parameter address via fieldbus
<code>ESIM_scale</code> <i>C o n F → i - o - E S S C</i>	Resolution of encoder simulation. Resolution defines the number of increments per revolution (AB signal with quadruple evaluation). The index pulse is created once per revolution at an interval where signal A and signal B are high. Setting can only be modified if power stage is disabled. Modified settings become active the next time the product is powered on.	Enclnc 8 4096 65535	UINT16 R/W per. -	CANopen 3005:15 _h Modbus 1322 Profibus 1322 CIP 105.1.21 ModbusTCP 1322 EtherCAT 3005:15 _h PROFINET 1322

With firmware version $\geq V01.10$, you can set the resolution with decimal places.

The parameter `ESIM_HighResolution` lets you set the resolution with decimal places.

Parameter name HMI menu HMI name	Description	Unit Minimum value Factory setting Maximum value	Data type R/W Persistent Expert	Parameter address via fieldbus
ESIM_HighResolution	<p>Encoder simulation: High resolution. Specifies the number of increments per revolution with 12 bit decimal places. If the parameter is set to a multiple of 4096, the index pulse will be generated exactly at the same position within one revolution.</p> <p>The setting of parameter ESIM_scale is only used if parameter ESIM_HighResolution is set to 0. Otherwise, the setting of ESIM_HighResolution is used.</p> <p>Example: 1417.322835 encoder simulation pulses per revolution are required. Set the parameter to $1417.322835 * 4096 = 5805354$.</p> <p>In this example, the index pulse will be generated exactly after every 1417 pulses. This means that the index pulse shifts with each revolution. Setting can only be modified if power stage is disabled. Modified settings become active the next time the product is powered on.</p>	Enclnc 0 0 268431360	UINT32 R/W per. expert	CANopen 3005:32 _h Modbus 1380 Profibus 1380 CIP 105.1.50 ModbusTCP 1380 EtherCAT 3005:32 _h PROFINET 1380

With firmware version $\geq V01.10$, you can set a phase shift of the encoder simulation.

The phase shift of the encoder simulation is set with the parameter `ESIM_PhaseShift`.

Parameter name HMI menu HMI name	Description	Unit Minimum value Factory setting Maximum value	Data type R/W Persistent Expert	Parameter address via fieldbus
ESIM_PhaseShift	<p>Encoder simulation: Phase shift for pulse output. The generated encoder simulation pulses can be shifted in units of 1/4096 encoder pulses. The shift results in a position offset at PTO. The index pulse is shifted as well. Modified settings become active immediately. Available with firmware version $\geq V01.10$.</p>	- -32768 0 32767	INT16 R/W - expert	CANopen 3005:33 _h Modbus 1382 Profibus 1382 CIP 105.1.51 ModbusTCP 1382 EtherCAT 3005:33 _h PROFINET 1382

Encoder Simulation Based on Reference Current

In the case of encoder simulation based on the reference current, A/B signals are output. The maximum frequency of the A/B signals is $1.6 * 10^{-6}$ increments per second and corresponds to the maximum reference current (value in parameter `CTRL_I_max`).

With firmware version $\geq V01.20$, you can set encoder simulation based on the reference current.

PTI Signal

If the PTI signal is selected by means of parameter `PTO_mode`, the signal from the PTI interface is directly made available at the PTO interface.

Section 6.8

Switching Between Control Loop Parameter Sets

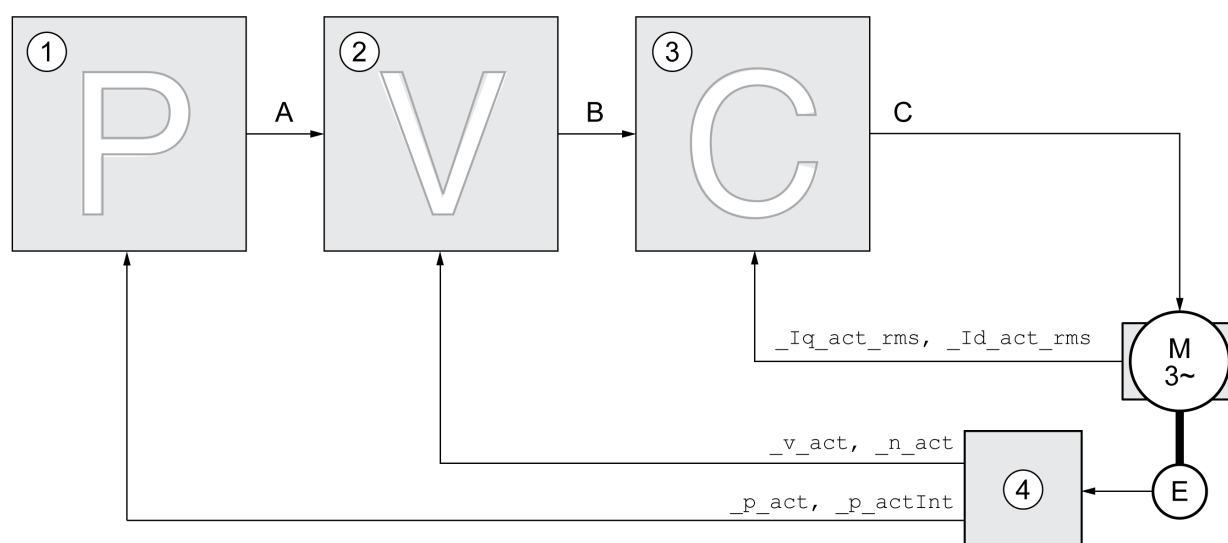
What Is in This Section?

This section contains the following topics:

Topic	Page
Overview of the Controller Structure	243
Overview of Position Controller	244
Overview of Velocity Controller	245
Overview of Current Controller	246
Parameterizable Control Loop Parameters	247
Selecting a Control Loop Parameter Set	248
Automatically Switching Between Control Loop Parameter Sets	249
Copying a Control Loop Parameter Set	252
Deactivating the Integral Term	253
Control Loop Parameter Set 1	254
Control Loop Parameter Set 2	256

Overview of the Controller Structure

The illustration below provides an overview of the controller structure.



- 1 Position controller
- 2 Velocity controller
- 3 Current controller
- 4 Encoder evaluation

Position Controller

The position controller reduces the difference between the reference position and the actual position of the motor (position deviation) to a minimum. When the motor is at a standstill, the position deviation is close to zero in the case of a well-tuned position controller.

An optimized velocity control loop is a prerequisite for good amplification of the position controller.

Velocity Controller

The velocity controller controls the motor velocity by varying the motor current depending on the load situation. The velocity controller has a decisive influence on the dynamic response of the drive. The dynamics of the velocity controller depend on:

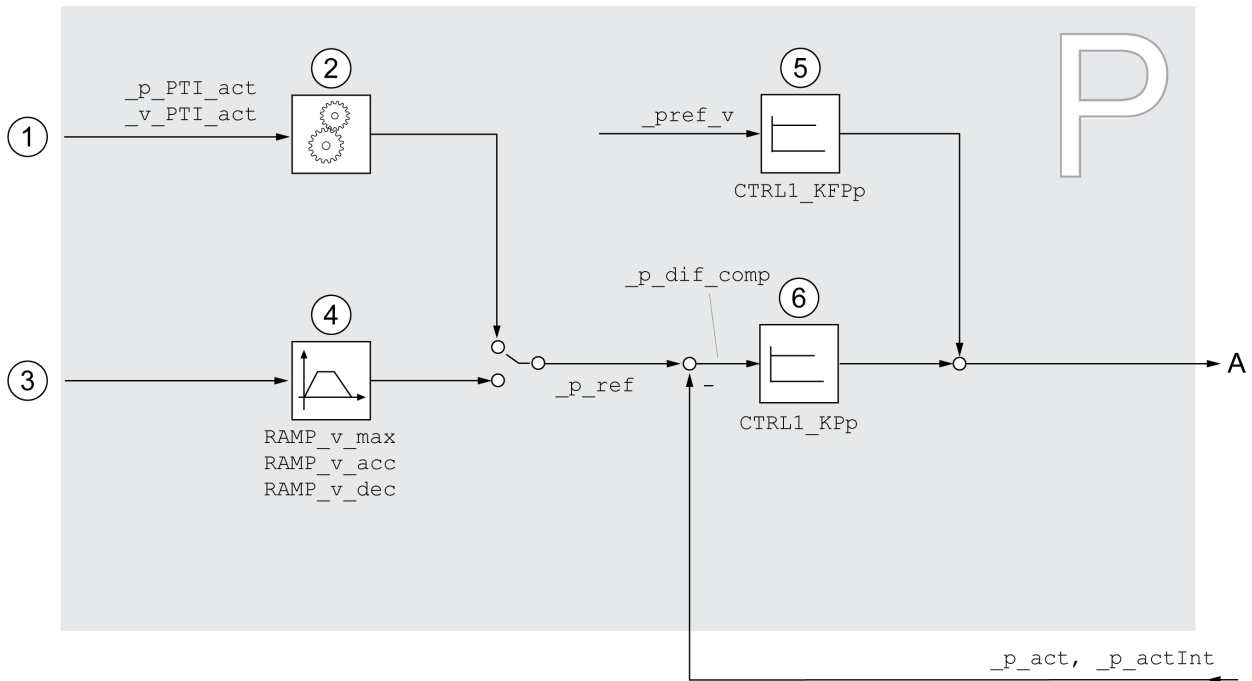
- Moment of inertia of the drive and the controlled system
- Power of the motor
- Stiffness and elasticity of the elements in the flow of forces
- Backlash of the drive elements
- Friction

Current Controller

The current controller determines the torque of the motor. The current controller is automatically optimally tuned with the stored motor data.

Overview of Position Controller

The illustration below provides an overview of the position controller.



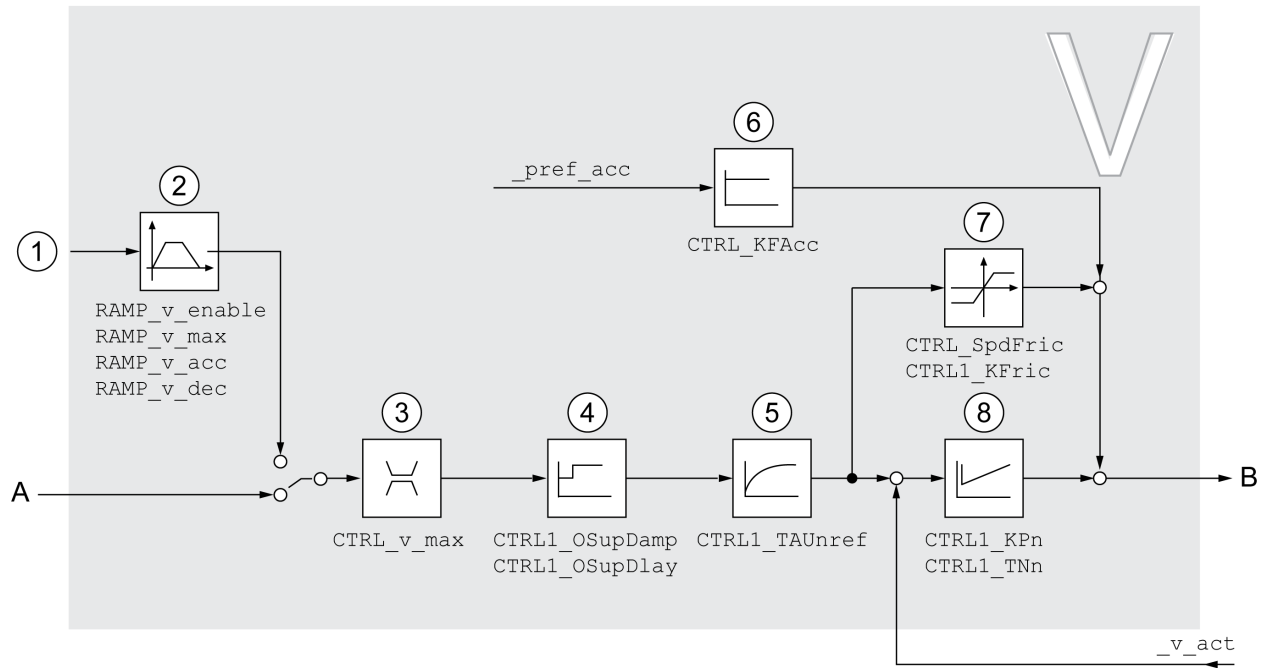
- 1 Reference value signals for the operating mode Electronic Gear (position synchronization)
- 2 Evaluation of the reference value signal for the operating mode Electronic Gear
- 3 Target values for the operating modes Jog, Profile Position, Homing and Motion Sequence
- 4 Motion profile for the velocity
- 5 Velocity feed-forward control
- 6 Position controller

Sampling Period

The sampling period of the position controller is 250 μ s.

Overview of Velocity Controller

The illustration below provides an overview of the velocity controller.



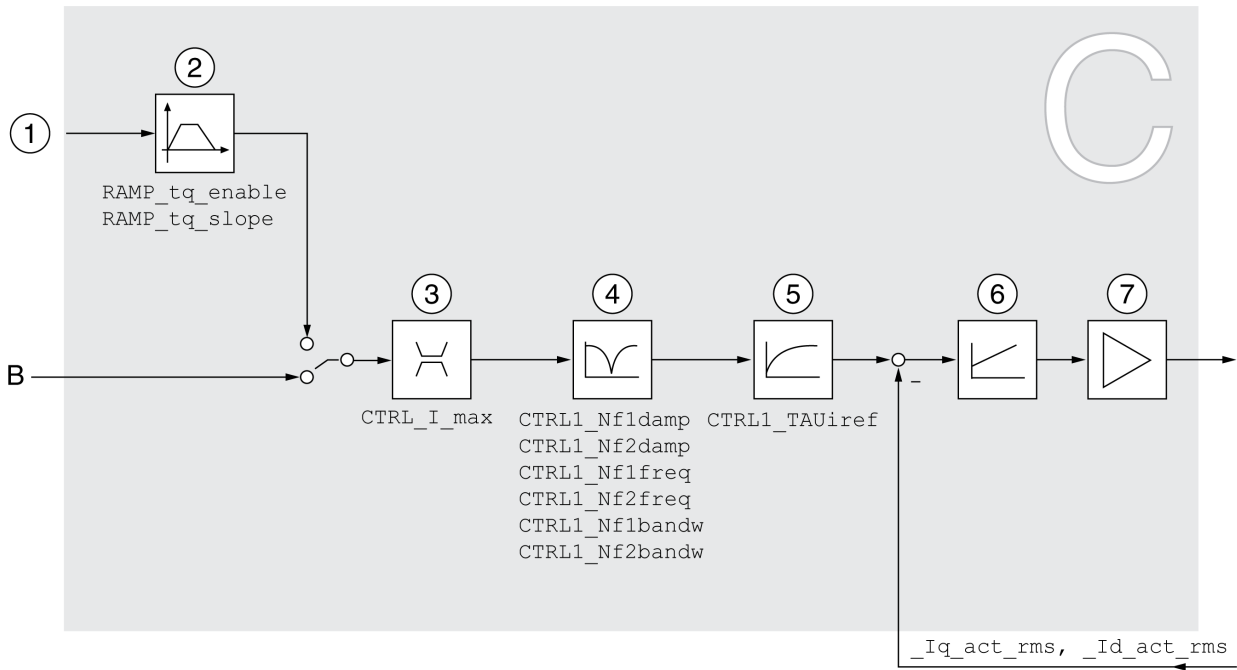
- 1 Reference value signals for the operating mode Electronic Gear with the method "Velocity Synchronization" and target values for the operating mode Profile Velocity
- 2 Motion profile for the velocity
- 3 Velocity limitation
- 4 Overshoot suppression filter (parameter accessible in Expert mode)
- 5 Filter time constant of the reference velocity value filter
- 6 Acceleration feed forward control (parameter accessible in Expert mode)
- 7 Friction compensation (parameter accessible in Expert mode)
- 8 Velocity Loop Controller

Sampling Period

The sampling period of the velocity controller is 62.5 μ s.

Overview of Current Controller

The illustration below provides an overview of the current controller.



- 1 Target values for the operating mode Profile Torque
- 2 Motion profile for the torque
- 3 Current limitation
- 4 Notch filter (parameter accessible in Expert mode)
- 5 Filter time constant of the reference current value filter
- 6 Current controller
- 7 Power stage

Sampling Period

The sampling period of the current controller is 62.5 μ s.

Parameterizable Control Loop Parameters

Control Loop Parameter Set

The product features 2 control loop parameter sets that can be parameterized separately. The values for the control loop parameters determined during autotuning are stored in control loop parameter set 1.

A control loop parameter set consists of freely accessible parameters and parameters which are only accessible in Expert mode.

Control loop parameter set 1	Control loop parameter set 2
Freely accessible parameters:	Freely accessible parameters:
CTRL1_KPn	CTRL2_KPn
CTRL1_TNn	CTRL2_TNn
CTRL1_KPp	CTRL2_KPp
CTRL1_TAUiref	CTRL2_TAUiref
CTRL1_TAUhref	CTRL2_TAUhref
CTRL1_KFPp	CTRL2_KFPp
Parameters only accessible in expert mode:	Parameters only accessible in expert mode:
CTRL1_Nf1damp	CTRL2_Nf1damp
CTRL1_Nf1freq	CTRL2_Nf1freq
CTRL1_Nf1bandw	CTRL2_Nf1bandw
CTRL1_Nf2damp	CTRL2_Nf2damp
CTRL1_Nf2freq	CTRL2_Nf2freq
CTRL1_Nf2bandw	CTRL2_Nf2bandw
CTRL1_Osupdamp	CTRL2_Osupdamp
CTRL1_Osupdelay	CTRL2_Osupdelay
CTRL1_Kfric	CTRL2_Kfric

See chapters Control Loop Parameter Set 1 ([see page 254](#)) and Control Loop Parameter Set 2 ([see page 256](#)).

Parameterization

- Selecting a control loop parameter set
Select a control loop parameter set after switching on.
See chapter Selecting a Control Loop Parameter Set ([see page 248](#)).
- Automatically switching between control loop parameter sets
It is possible to switch between the two control loop parameter sets.
See chapter Automatically Switching Between Control Loop Parameter Sets ([see page 249](#)).
- Copying a control loop parameter set
The values of control loop parameter set 1 can be copied to control loop parameter set 2.
See chapter Copying a Control Loop Parameter Set ([see page 252](#)).
- Deactivating the integral term
The integral term and, by implication, the integral action time, can be deactivated via a digital signal input.
See chapter Deactivating the Integral Term ([see page 253](#)).

Selecting a Control Loop Parameter Set

Description

The active control loop parameter set is indicated via the parameter `_CTRL_ActParSet`.

The parameter `CTRL_PwrUpParSet` allows you to set the control loop parameter set to be activated after powering on. Alternatively, you can set whether or not the product is to switch automatically between the two control loop parameter sets.

The parameter `CTRL_SelParSet` allows you to switch between the two control loop parameter sets during operation.

Parameter name HMI menu HMI name	Description	Unit Minimum value Factory setting Maximum value	Data type R/W Persistent Expert	Parameter address via fieldbus
<code>_CTRL_ActParSet</code>	Active control loop parameter set. Value 1: Control loop parameter set 1 is active Value 2: Control loop parameter set 2 is active A control loop parameter set is active after the time for the parameter switching (<code>CTRL_ParChgTime</code>) has elapsed.	- - - -	UINT16 R/- - -	CANopen 3011:17 _h Modbus 4398 Profibus 4398 CIP 117.1.23 ModbusTCP 4398 EtherCAT 3011:17 _h PROFINET 4398
<code>CTRL_PwrUpParSet</code>	Selection of control loop parameter set at power up. 0 / Switching Condition: The switching condition is used for control loop parameter set switching 1 / Parameter Set 1: Control loop parameter set 1 is used 2 / Parameter Set 2: Control loop parameter set 2 is used The selected value is also written to <code>CTRL_SelParSet</code> (non-persistent). Modified settings become active immediately.	- 0 1 2	UINT16 R/W per. -	CANopen 3011:18 _h Modbus 4400 Profibus 4400 CIP 117.1.24 ModbusTCP 4400 EtherCAT 3011:18 _h PROFINET 4400
<code>CTRL_SelParSet</code>	Selection of control loop parameter set. Coding see parameter: <code>CTRL_PwrUpParSet</code> Modified settings become active immediately.	- 0 1 2	UINT16 R/W - -	CANopen 3011:19 _h Modbus 4402 Profibus 4402 CIP 117.1.25 ModbusTCP 4402 EtherCAT 3011:19 _h PROFINET 4402

Automatically Switching Between Control Loop Parameter Sets

Description

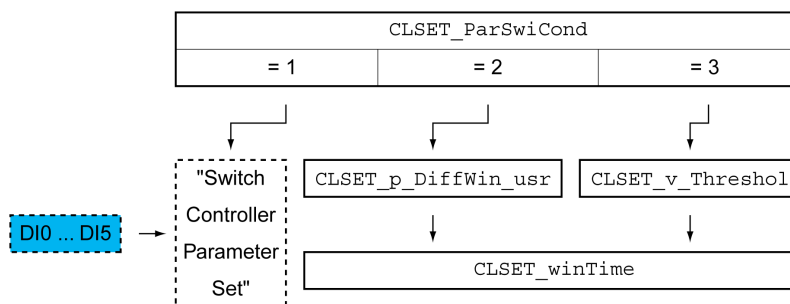
It is possible to automatically switch between the two control loop parameter sets.

The following criteria can be set for switching between the control loop parameter sets:

- Digital signal input
- Position deviation window
- Target velocity below parameterizable value
- Actual velocity below parameterizable value

Settings

The illustration below provides an overview of switching between the parameter sets.



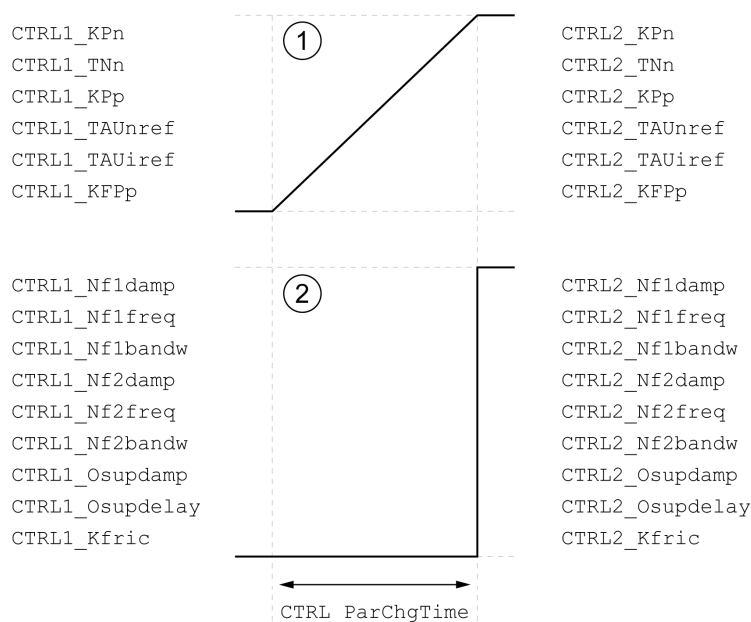
Time Chart

The freely accessible parameters are changed linearly. This linear change of the values of control loop parameter set 1 to the values of control loop parameter set 2 takes place during the parameterizable time `CTRL_ParChgTime`.

The parameters only accessible in Expert mode are directly changed to the values of the other control loop parameter set after the parameterizable time `CTRL_ParChgTime` has passed.

The figure below shows the time chart for switching the control loop parameters.

Time chart for switching the control loop parameter sets



- 1 Freely accessible parameters are changed linearly over time
- 2 Parameters which are only accessible in Expert mode are switched over directly

Parameter name HMI menu HMI name	Description	Unit Minimum value Factory setting Maximum value	Data type R/W Persistent Expert	Parameter address via fieldbus
CLSET_ParSwiCond	<p>Condition for parameter set switching.</p> <p>0 / None Or Digital Input: None or digital input function selected</p> <p>1 / Inside Position Deviation: Inside position deviation (value definition in parameter CLSET_p_DiffWin)</p> <p>2 / Below Reference Velocity: Below reference velocity (value definition in parameter CLSET_v_Threshol)</p> <p>3 / Below Actual Velocity: Below actual velocity (value definition in parameter CLSET_v_Threshol)</p> <p>4 / Reserved: Reserved</p> <p>In the case of parameter set switching, the values of the following parameters are changed gradually:</p> <ul style="list-style-type: none"> - CTRL_KPn - CTRL_TNn - CTRL_KPp - CTRL_TAUref - CTRL_TAUiref - CTRL_KFpp <p>The following parameters are changed immediately after the time for parameter set switching (CTRL_ParChgTime):</p> <ul style="list-style-type: none"> - CTRL_Nf1damp - CTRL_Nf1freq - CTRL_Nf1bandw - CTRL_Nf2damp - CTRL_Nf2freq - CTRL_Nf2bandw - CTRL_Osupdamp - CTRL_Osupdelay - CTRL_Kfric <p>Modified settings become active immediately.</p>	- 0 0 4	UINT16 R/W per. -	CANopen 3011:1A _h Modbus 4404 Profibus 4404 CIP 117.1.26 ModbusTCP 4404 EtherCAT 3011:1A _h PROFINET 4404
CLSET_p_DiffWin_u sr	<p>Position deviation for control loop parameter set switching.</p> <p>If the position deviation of the position controller is less than the value of this parameter, control loop parameter set 2 is used. Otherwise, control loop parameter set 1 is used.</p> <p>The minimum value, the factory setting and the maximum value depend on the scaling factor. Modified settings become active immediately. Available with firmware version ≥V01.03.</p>	usr_p 0 164 2147483647	INT32 R/W per. -	CANopen 3011:25 _h Modbus 4426 Profibus 4426 CIP 117.1.37 ModbusTCP 4426 EtherCAT 3011:25 _h PROFINET 4426
CLSET_v_Threshol	<p>Velocity threshold for control loop parameter set switching.</p> <p>If the reference velocity or the actual velocity are less than the value of this parameter, control loop parameter set 2 is used. Otherwise, control loop parameter set 1 is used. Modified settings become active immediately.</p>	usr_v 0 50 2147483647	UINT32 R/W per. -	CANopen 3011:1D _h Modbus 4410 Profibus 4410 CIP 117.1.29 ModbusTCP 4410 EtherCAT 3011:1D _h PROFINET 4410
CLSET_winTime	<p>Time window for parameter set switching.</p> <p>Value 0: Window monitoring deactivated.</p> <p>Value >0: Window time for the parameters CLSET_v_Threshol and CLSET_p_DiffWin. Modified settings become active immediately.</p>	ms 0 0 1000	UINT16 R/W per. -	CANopen 3011:1B _h Modbus 4406 Profibus 4406 CIP 117.1.27 ModbusTCP 4406 EtherCAT 3011:1B _h PROFINET 4406

Parameter name HMI menu HMI name	Description	Unit Minimum value Factory setting Maximum value	Data type R/W Persistent Expert	Parameter address via fieldbus
CTRL_ParChgTime	<p>Period of time for control loop parameter set switching.</p> <p>In the case of control loop parameter set switching, the values of the following parameters are changed gradually:</p> <ul style="list-style-type: none"> - CTRL_KPn - CTRL_TNn - CTRL_KPp - CTRL_TAUref - CTRL_TAUiref - CTRL_KFPp <p>Such a switching can be caused by</p> <ul style="list-style-type: none"> - change of the active control loop parameter set - change of the global gain - change of any of the parameters listed above - deactivating the integral term of the velocity controller <p>Modified settings become active immediately.</p>	ms 0 0 2000	UINT16 R/W per. -	CANopen 3011:14 _h Modbus 4392 Profibus 4392 CIP 117.1.20 ModbusTCP 4392 EtherCAT 3011:14 _h PROFINET 4392

Copying a Control Loop Parameter Set

Description

The parameter `CTRL_ParSetCopy` allows you to copy the values of control loop parameter set 1 to control loop parameter set 2 or the values of control loop parameter set 2 to control loop parameter set 1.

Parameter name HMI menu HMI name	Description	Unit Minimum value Factory setting Maximum value	Data type R/W Persistent Expert	Parameter address via fieldbus
<code>CTRL_ParSetCopy</code>	<p>Control loop parameter set copying. Value 1: Copy control loop parameter set 1 to set 2 Value 2: Copy control loop parameter set 2 to set 1</p> <p>If control loop parameter set 2 is copied to control loop parameter set 1, the parameter <code>CTRL_GlobGain</code> is set to 100%. Modified settings become active immediately.</p>	- 0.0 - 0.2	UINT16 R/W - -	CANopen 3011:16 _h Modbus 4396 Profibus 4396 CIP 117.1.22 ModbusTCP 4396 EtherCAT 3011:16 _h PROFINET 4396

Deactivating the Integral Term

The integral term of the velocity controller can be deactivated via the signal input function "Velocity Controller Integral Off". If the integral term is deactivated, the integral action time of the velocity controller ($CTRL1_TNn$ and $CTRL2_TNn$) is implicitly and gradually reduced to zero. The time it takes to reduce the value to zero depends on the parameter $CTRL_ParChgTime$. In the case of vertical axes, the integral term is needed to reduce position deviations during standstill.

Control Loop Parameter Set 1

Overview

Parameter name HMI menu HMI name	Description	Unit Minimum value Factory setting Maximum value	Data type R/W Persistent Expert	Parameter address via fieldbus
CTRL1_KPn <i>ConF → drC - PnI</i>	Velocity controller P gain. The default value is calculated on the basis of the motor parameters. In the case of switching between the two control loop parameter sets, the values are changed linearly over the time defined in the parameter CTRL_ParChgTime. In increments of 0.0001 A/RPM. Modified settings become active immediately.	A/RPM 0.0001 - 2.5400	UINT16 R/W per. -	CANopen 3012:1 _h Modbus 4610 Profibus 4610 CIP 118.1.1 ModbusTCP 4610 EtherCAT 3012:1 _h PROFINET 4610
CTRL1_TNn <i>ConF → drC - TnI</i>	Velocity controller integral action time. The default value is calculated. In the case of switching between the two control loop parameter sets, the values are changed linearly over the time defined in the parameter CTRL_ParChgTime. In increments of 0.01 ms. Modified settings become active immediately.	ms 0.00 - 327.67	UINT16 R/W per. -	CANopen 3012:2 _h Modbus 4612 Profibus 4612 CIP 118.1.2 ModbusTCP 4612 EtherCAT 3012:2 _h PROFINET 4612
CTRL1_KPp <i>ConF → drC - PpI</i>	Position controller P gain. The default value is calculated. In the case of switching between the two control loop parameter sets, the values are changed linearly over the time defined in the parameter CTRL_ParChgTime. In increments of 0.1 1/s. Modified settings become active immediately.	1/s 2.0 - 900.0	UINT16 R/W per. -	CANopen 3012:3 _h Modbus 4614 Profibus 4614 CIP 118.1.3 ModbusTCP 4614 EtherCAT 3012:3 _h PROFINET 4614
CTRL1_TAUiref	Filter time constant of the reference current value filter. In the case of switching between the two control loop parameter sets, the values are changed linearly over the time defined in the parameter CTRL_ParChgTime. In increments of 0.01 ms. Modified settings become active immediately.	ms 0.00 0.50 4.00	UINT16 R/W per. -	CANopen 3012:5 _h Modbus 4618 Profibus 4618 CIP 118.1.5 ModbusTCP 4618 EtherCAT 3012:5 _h PROFINET 4618
CTRL1_TAUiref <i>ConF → drC - TAUiref</i>	Filter time constant of the reference velocity value filter. In the case of switching between the two control loop parameter sets, the values are changed linearly over the time defined in the parameter CTRL_ParChgTime. In increments of 0.01 ms. Modified settings become active immediately.	ms 0.00 9.00 327.67	UINT16 R/W per. -	CANopen 3012:4 _h Modbus 4616 Profibus 4616 CIP 118.1.4 ModbusTCP 4616 EtherCAT 3012:4 _h PROFINET 4616
CTRL1_KFPp <i>ConF → drC - FPP I</i>	Velocity feed-forward control. In the case of switching between the two control loop parameter sets, the values are changed linearly over the time defined in the parameter CTRL_ParChgTime. In increments of 0.1 %. Modified settings become active immediately.	% 0.0 0.0 200.0	UINT16 R/W per. -	CANopen 3012:6 _h Modbus 4620 Profibus 4620 CIP 118.1.6 ModbusTCP 4620 EtherCAT 3012:6 _h PROFINET 4620
CTRL1_Nf1damp	Notch filter 1: Damping. In increments of 0.1 %. Modified settings become active immediately.	% 55.0 90.0 99.0	UINT16 R/W per. expert	CANopen 3012:8 _h Modbus 4624 Profibus 4624 CIP 118.1.8 ModbusTCP 4624 EtherCAT 3012:8 _h PROFINET 4624

Parameter name HMI menu HMI name	Description	Unit Minimum value Factory setting Maximum value	Data type R/W Persistent Expert	Parameter address via fieldbus
CTRL1_Nf1freq	Notch filter 1: Frequency. The filter is deactivated at a value of 15000. In increments of 0.1 Hz. Modified settings become active immediately.	Hz 50.0 1500.0 1500.0	UINT16 R/W per. expert	CANopen 3012:9 _h Modbus 4626 Profibus 4626 CIP 118.1.9 ModbusTCP 4626 EtherCAT 3012:9 _h PROFINET 4626
CTRL1_Nf1bandw	Notch filter 1: Bandwidth. Definition of bandwidth: $1 - F_b/F_0$ In increments of 0.1 %. Modified settings become active immediately.	% 1.0 70.0 90.0	UINT16 R/W per. expert	CANopen 3012:A _h Modbus 4628 Profibus 4628 CIP 118.1.10 ModbusTCP 4628 EtherCAT 3012:A _h PROFINET 4628
CTRL1_Nf2damp	Notch filter 2: Damping. In increments of 0.1 %. Modified settings become active immediately.	% 55.0 90.0 99.0	UINT16 R/W per. expert	CANopen 3012:B _h Modbus 4630 Profibus 4630 CIP 118.1.11 ModbusTCP 4630 EtherCAT 3012:B _h PROFINET 4630
CTRL1_Nf2freq	Notch filter 2: Frequency. The filter is deactivated at a value of 15000. In increments of 0.1 Hz. Modified settings become active immediately.	Hz 50.0 1500.0 1500.0	UINT16 R/W per. expert	CANopen 3012:C _h Modbus 4632 Profibus 4632 CIP 118.1.12 ModbusTCP 4632 EtherCAT 3012:C _h PROFINET 4632
CTRL1_Nf2bandw	Notch filter 2: Bandwidth. Definition of bandwidth: $1 - F_b/F_0$ In increments of 0.1 %. Modified settings become active immediately.	% 1.0 70.0 90.0	UINT16 R/W per. expert	CANopen 3012:D _h Modbus 4634 Profibus 4634 CIP 118.1.13 ModbusTCP 4634 EtherCAT 3012:D _h PROFINET 4634
CTRL1_Osupdamp	Overshoot suppression filter: Damping. The filter is deactivated at a value of 0. In increments of 0.1 %. Modified settings become active immediately.	% 0.0 0.0 50.0	UINT16 R/W per. expert	CANopen 3012:E _h Modbus 4636 Profibus 4636 CIP 118.1.14 ModbusTCP 4636 EtherCAT 3012:E _h PROFINET 4636
CTRL1_Osupdelay	Overshoot suppression filter: Time delay. The filter is deactivated at a value of 0. In increments of 0.01 ms. Modified settings become active immediately.	ms 0.00 0.00 75.00	UINT16 R/W per. expert	CANopen 3012:F _h Modbus 4638 Profibus 4638 CIP 118.1.15 ModbusTCP 4638 EtherCAT 3012:F _h PROFINET 4638
CTRL1_Kfric	Friction compensation: Gain. In increments of 0.01 A _{rms} . Modified settings become active immediately.	A _{rms} 0.00 0.00 10.00	UINT16 R/W per. expert	CANopen 3012:10 _h Modbus 4640 Profibus 4640 CIP 118.1.16 ModbusTCP 4640 EtherCAT 3012:10 _h PROFINET 4640

Control Loop Parameter Set 2

Overview

Parameter name HMI menu HMI name	Description	Unit Minimum value Factory setting Maximum value	Data type R/W Persistent Expert	Parameter address via fieldbus
CTRL2_KPn <i>ConF → drC - Pn2</i>	Velocity controller P gain. The default value is calculated on the basis of the motor parameters. In the case of switching between the two control loop parameter sets, the values are changed linearly over the time defined in the parameter CTRL_ParChgTime. In increments of 0.0001 A/RPM. Modified settings become active immediately.	A/RPM 0.0001 - 2.5400	UINT16 R/W per. -	CANopen 3013:1 _h Modbus 4866 Profibus 4866 CIP 119.1.1 ModbusTCP 4866 EtherCAT 3013:1 _h PROFINET 4866
CTRL2_TNn <i>ConF → drC - Tin2</i>	Velocity controller integral action time. The default value is calculated. In the case of switching between the two control loop parameter sets, the values are changed linearly over the time defined in the parameter CTRL_ParChgTime. In increments of 0.01 ms. Modified settings become active immediately.	ms 0.00 - 327.67	UINT16 R/W per. -	CANopen 3013:2 _h Modbus 4868 Profibus 4868 CIP 119.1.2 ModbusTCP 4868 EtherCAT 3013:2 _h PROFINET 4868
CTRL2_KPp <i>ConF → drC - Pp2</i>	Position controller P gain. The default value is calculated. In the case of switching between the two control loop parameter sets, the values are changed linearly over the time defined in the parameter CTRL_ParChgTime. In increments of 0.1 1/s. Modified settings become active immediately.	1/s 2.0 - 900.0	UINT16 R/W per. -	CANopen 3013:3 _h Modbus 4870 Profibus 4870 CIP 119.1.3 ModbusTCP 4870 EtherCAT 3013:3 _h PROFINET 4870
CTRL2_TAUiref	Filter time constant of the reference current value filter. In the case of switching between the two control loop parameter sets, the values are changed linearly over the time defined in the parameter CTRL_ParChgTime. In increments of 0.01 ms. Modified settings become active immediately.	ms 0.00 0.50 4.00	UINT16 R/W per. -	CANopen 3013:5 _h Modbus 4874 Profibus 4874 CIP 119.1.5 ModbusTCP 4874 EtherCAT 3013:5 _h PROFINET 4874
CTRL2_TAUvref <i>ConF → drC - Tau2</i>	Filter time constant of the reference velocity value filter. In the case of switching between the two control loop parameter sets, the values are changed linearly over the time defined in the parameter CTRL_ParChgTime. In increments of 0.01 ms. Modified settings become active immediately.	ms 0.00 9.00 327.67	UINT16 R/W per. -	CANopen 3013:4 _h Modbus 4872 Profibus 4872 CIP 119.1.4 ModbusTCP 4872 EtherCAT 3013:4 _h PROFINET 4872
CTRL2_KFPp <i>ConF → drC - FPP2</i>	Velocity feed-forward control. In the case of switching between the two control loop parameter sets, the values are changed linearly over the time defined in the parameter CTRL_ParChgTime. In increments of 0.1 %. Modified settings become active immediately.	% 0.0 0.0 200.0	UINT16 R/W per. -	CANopen 3013:6 _h Modbus 4876 Profibus 4876 CIP 119.1.6 ModbusTCP 4876 EtherCAT 3013:6 _h PROFINET 4876
CTRL2_Nf1damp	Notch filter 1: Damping. In increments of 0.1 %. Modified settings become active immediately.	% 55.0 90.0 99.0	UINT16 R/W per. expert	CANopen 3013:8 _h Modbus 4880 Profibus 4880 CIP 119.1.8 ModbusTCP 4880 EtherCAT 3013:8 _h PROFINET 4880

Parameter name HMI menu HMI name	Description	Unit Minimum value Factory setting Maximum value	Data type R/W Persistent Expert	Parameter address via fieldbus
CTRL2_Nf1freq	Notch filter 1: Frequency. The filter is deactivated at a value of 15000. In increments of 0.1 Hz. Modified settings become active immediately.	Hz 50.0 1500.0 1500.0	UINT16 R/W per. expert	CANopen 3013:9 _h Modbus 4882 Profibus 4882 CIP 119.1.9 ModbusTCP 4882 EtherCAT 3013:9 _h PROFINET 4882
CTRL2_Nf1bandw	Notch filter 1: Bandwidth. Definition of bandwidth: 1 - Fb/F0 In increments of 0.1 %. Modified settings become active immediately.	% 1.0 70.0 90.0	UINT16 R/W per. expert	CANopen 3013:A _h Modbus 4884 Profibus 4884 CIP 119.1.10 ModbusTCP 4884 EtherCAT 3013:A _h PROFINET 4884
CTRL2_Nf2damp	Notch filter 2: Damping. In increments of 0.1 %. Modified settings become active immediately.	% 55.0 90.0 99.0	UINT16 R/W per. expert	CANopen 3013:B _h Modbus 4886 Profibus 4886 CIP 119.1.11 ModbusTCP 4886 EtherCAT 3013:B _h PROFINET 4886
CTRL2_Nf2freq	Notch filter 2: Frequency. The filter is deactivated at a value of 15000. In increments of 0.1 Hz. Modified settings become active immediately.	Hz 50.0 1500.0 1500.0	UINT16 R/W per. expert	CANopen 3013:C _h Modbus 4888 Profibus 4888 CIP 119.1.12 ModbusTCP 4888 EtherCAT 3013:C _h PROFINET 4888
CTRL2_Nf2bandw	Notch filter 2: Bandwidth. Definition of bandwidth: 1 - Fb/F0 In increments of 0.1 %. Modified settings become active immediately.	% 1.0 70.0 90.0	UINT16 R/W per. expert	CANopen 3013:D _h Modbus 4890 Profibus 4890 CIP 119.1.13 ModbusTCP 4890 EtherCAT 3013:D _h PROFINET 4890
CTRL2_Osupdamp	Overshoot suppression filter: Damping. The filter is deactivated at a value of 0. In increments of 0.1 %. Modified settings become active immediately.	% 0.0 0.0 50.0	UINT16 R/W per. expert	CANopen 3013:E _h Modbus 4892 Profibus 4892 CIP 119.1.14 ModbusTCP 4892 EtherCAT 3013:E _h PROFINET 4892
CTRL2_Osupdelay	Overshoot suppression filter: Time delay. The filter is deactivated at a value of 0. In increments of 0.01 ms. Modified settings become active immediately.	ms 0.00 0.00 75.00	UINT16 R/W per. expert	CANopen 3013:F _h Modbus 4894 Profibus 4894 CIP 119.1.15 ModbusTCP 4894 EtherCAT 3013:F _h PROFINET 4894
CTRL2_Kfric	Friction compensation: Gain. In increments of 0.01 A _{rms} . Modified settings become active immediately.	A _{rms} 0.00 0.00 10.00	UINT16 R/W per. expert	CANopen 3013:10 _h Modbus 4896 Profibus 4896 CIP 119.1.16 ModbusTCP 4896 EtherCAT 3013:10 _h PROFINET 4896

Section 6.9

PWM Frequency of the Power Stage

PWM Frequency of the Power Stage

PWM Frequency of Power Stage

The PWM frequency of the power stage depends on the device version.

LXM32•...		U45, U60, U90, D12, D18, D30, D72	D85, C10
PWM frequency power stage	kHz	8	4 or 8 ⁽¹⁾
(1) Factory setting: 4 kHz. Adjustable via parameter.			

The parameter `PWM_fChop` lets you set the PWM frequency of the power stage.

Parameter name HMI menu HMI name	Description	Unit Minimum value Factory setting Maximum value	Data type R/W Persistent Expert	Parameter address via fieldbus
<code>PWM_fChop</code>	PWM frequency of power stage. 4 / 4 kHz: 4 kHz 8 / 8 kHz: 8 kHz 16 / 16 kHz: 16 kHz Factory setting: Peak output current ≤72 Arms: 8 kHz Peak output current >72 Arms: 4 kHz Changing this setting is only possible in the case of devices with a peak output current >72 Arms. Setting can only be modified if power stage is disabled. Modified settings become active the next time the power stage is enabled.	- 4 - 16	UINT16 R/W per. expert	CANopen 3005:E _h Modbus 1308 Profibus 1308 CIP 105.1.14 ModbusTCP 1308 EtherCAT 3005:E _h PROFINET 1308

The technical data change depending on the PWM frequency of the power stage, see chapter Power Stage Data - Drive-Specific ([see page 33](#)).

Chapter 7

Operating States and Operating Modes

What Is in This Chapter?

This chapter contains the following sections:

Section	Topic	Page
7.1	Operating States	260
7.2	Operating Modes	270
7.3	Operating Mode Jog	272
7.4	Operating Mode Electronic Gear	281
7.5	Operating Mode Profile Torque	291
7.6	Operating Mode Profile Velocity	300
7.7	Operating Mode Profile Position	308
7.8	Operating Mode Interpolated Position	314
7.9	Operating Mode Homing	320
7.10	Operating Mode Motion Sequence	333

Section 7.1

Operating States

What Is in This Section?

This section contains the following topics:

Topic	Page
State Diagram and State Transitions	261
Indication of the Operating State via HMI	264
Indication of the Operating State via Signal Outputs	265
Indication of the Operating State via Fieldbus	266
Changing the Operating State via HMI	267
Changing the Operating State via Signal Inputs	268
Changing the Operating State via Fieldbus	269

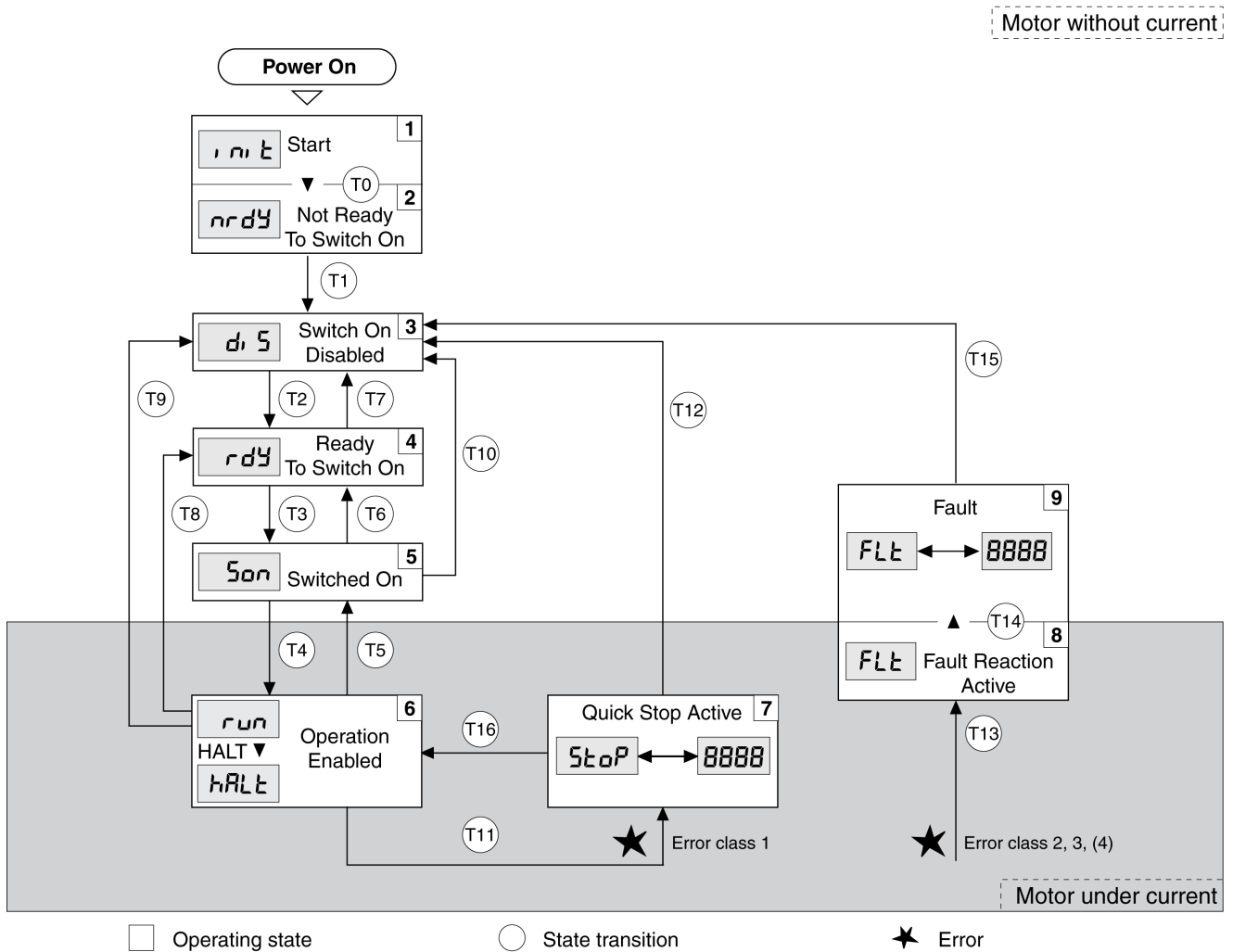
State Diagram and State Transitions

State Diagram

When the product is powered on and when an operating mode is started, the product goes through a number of operating states.

The state diagram (state machine) shows the relationships between the operating states and the state transitions.

The operating states are internally monitored and influenced by monitoring functions.



Operating States

Operating state	Description
1 Start	Electronics are initialized
2 Not Ready To Switch On	The power stage is not ready to switch on
3 Switch On Disabled	Impossible to enable the power stage
4 Ready To Switch On	The power stage is ready to switch on.
5 Switched On	Power stage is switched on
6 Operation Enabled	Power stage is enabled Selected operating mode is active
7 Quick Stop Active	"Quick Stop" is being executed
8 Fault Reaction Active	Error response is active
9 Fault	Error response terminated Power stage is disabled

Error Class

The errors are classified according to the following error classes:

Error class	State transition	Error response	Resetting an error message
0	-	No interruption of the movement	Function "Fault Reset"
1	T11	Stop movement with "Quick Stop"	Function "Fault Reset"
2	T13, T14	Stop movement with "Quick Stop" and disable the power stage when the motor has come to a standstill	Function "Fault Reset"
3	T13, T14	Disable the power stage immediately without stopping the movement first	Function "Fault Reset"
4	T13, T14	Disable the power stage immediately without stopping the movement first	Power cycle

Error Response

The state transition T13 (error class 2, 3 or 4) initiates an error response as soon as an internal occurrence signals an error to which the device must react.

Error class	Response
2	Movement is stopped with "Quick Stop" Holding brake is applied Power stage is disabled
3, 4 or Safety function STO	Power stage is immediately disabled

An error can be triggered by a temperature sensor, for example. The drive cancels the movement and triggers an error response. Subsequently, the operating state changes to **9 Fault**.

Resetting an Error Message

A "Fault Reset" resets an error message.

In the event of a "Quick Stop" triggered by a detected error of class 1 (operating state **7 Quick Stop Active**), a "Fault Reset" causes a direct transition to operating state **6 Operation Enabled**.

State Transitions

State transitions are triggered by an input signal, a fieldbus command or as a response to a monitoring function.

State transition	Operating state	Condition / event ⁽¹⁾	Response
T0	1-> 2	<ul style="list-style-type: none"> Device electronics successfully initialized 	
T1	2-> 3	<ul style="list-style-type: none"> Parameter successfully initialized 	
T2	3-> 4	<ul style="list-style-type: none"> No undervoltage and Encoder successfully checked and Actual velocity: <1000 RPM and STO signals = +24V and fieldbus command: Shutdown⁽²⁾ 	
T3	4-> 5	<ul style="list-style-type: none"> Request for enabling the power stage Fieldbus command: Switch On or Enable Operation 	
T4	5-> 6	<ul style="list-style-type: none"> Automatic transition Fieldbus command: Enable Operation 	Power stage is enabled. User parameters are checked. Holding brake is released (if available).
T5	6-> 5	<ul style="list-style-type: none"> Fieldbus command: Disable Operation 	Movement is canceled with "Halt". Holding brake is applied (if available). Power stage is disabled.

(1) In order to trigger a state transition it is sufficient if one condition is met
 (2) Only required with fieldbus control mode and parameter DS402compatib = 1
 (3) Possible only if operating state was triggered via the fieldbus

State transition	Operating state	Condition / event ⁽¹⁾	Response
T6	5 -> 4	<ul style="list-style-type: none"> Fieldbus command: Shutdown 	
T7	4 -> 3	<ul style="list-style-type: none"> Undervoltage STO signals = 0V Actual velocity: >1000 RPM (for example by external driving force) Fieldbus command: Disable Voltage 	-
T8	6 -> 4	<ul style="list-style-type: none"> Fieldbus command: Shutdown 	Movement is canceled with "Halt" or power stage is immediately disabled. Can be set via parameter <code>DSM_ShutDownOption</code> .
T9	6 -> 3	<ul style="list-style-type: none"> Request for disabling the power stage Fieldbus command: Disable Voltage 	For "Request for disabling the power stage": Movement is canceled with "Halt" or power stage is immediately disabled. Can be set via parameter <code>DSM_ShutDownOption</code> . For "Fieldbus command: Disable Voltage": Power stage is disabled immediately.
T10	5 -> 3	<ul style="list-style-type: none"> Request for disabling the power stage Fieldbus command: Disable Voltage 	
T11	6 -> 7	<ul style="list-style-type: none"> Error of error class 1 Fieldbus command: Quick Stop 	Movement is canceled with "Quick Stop".
T12	7 -> 3	<ul style="list-style-type: none"> Request for disabling the power stage Fieldbus command: Disable Voltage 	Power stage is disabled immediately, even if "Quick Stop" is still active.
T13	x -> 8	<ul style="list-style-type: none"> Error of error classes 2, 3 or 4 	Error response is carried out, see "Error Response".
T14	8 -> 9	<ul style="list-style-type: none"> Error response terminated (error class 2) Error of error classes 3 or 4 	
T15	9 -> 3	<ul style="list-style-type: none"> Function: "Fault Reset" 	Error is reset (cause of error must have been corrected).
T16	7 -> 6	<ul style="list-style-type: none"> Function: "Fault Reset" Fieldbus command: Enable Operation⁽³⁾ 	In the event of a "Quick Stop" triggered by a detected error of class 1, a "Fault Reset" causes a direct transition to the operating state 6 Operation Enabled.

(1) In order to trigger a state transition it is sufficient if one condition is met
(2) Only required with fieldbus control mode and parameter `DS402compatib = 1`
(3) Possible only if operating state was triggered via the fieldbus

Parameter name HMI menu HMI name	Description	Unit Minimum value Factory setting Maximum value	Data type R/W Persistent Expert	Parameter address via fieldbus
<code>DSM_ShutDownOption</code> CONF → RCG - SdLY	Behavior for disabling the power stage during movement. 0 / Disable Immediately / d, 5 : Disable power stage immediately 1 / Disable After Halt / d, 5 h: Disable power stage after deceleration to standstill This parameter specifies the response to a power stage disable request. Halt is used for deceleration to standstill. Modified settings become active immediately. Available with firmware version ≥V01.26.	- 0 0 1	INT16 R/W per. -	CANopen 605B:0 _h Modbus 1684 Profibus 1684 CIP 106.1.74 ModbusTCP 1684 EtherCAT 605B:0 _h PROFINET 1684

Indication of the Operating State via HMI

The operating state is displayed by the HMI. The table below provides an overview:

Operating state	HMI
1 Start	<i>i n i t</i>
2 Not Ready To Switch On	<i>n r d y</i>
3 Switch On Disabled	<i>d i s</i>
4 Ready To Switch On	<i>r d y</i>
5 Switched On	<i>S o n</i>
6 Operation Enabled	<i>r u n</i>
7 Quick Stop Active	<i>S t o p</i>
8 Fault Reaction Active	<i>F L t</i>
9 Fault	<i>F L t</i>

Indication of the Operating State via Signal Outputs

Information on the operating state is available via the signal outputs. The table below provides an overview:

Operating state	Signal output function "No fault" ⁽¹⁾	Signal output function "Active" ⁽²⁾
1 Start	0	0
2 Not Ready To Switch On	0	0
3 Switch On Disabled	0	0
4 Ready To Switch On	1	0
5 Switched On	1	0
6 Operation Enabled	1	1
7 Quick Stop Active	0	0
8 Fault Reaction Active	0	0
9 Fault	0	0
(1) The signal output function is factory setting for DQ0		
(2) The signal output function is the factory setting for DQ1		

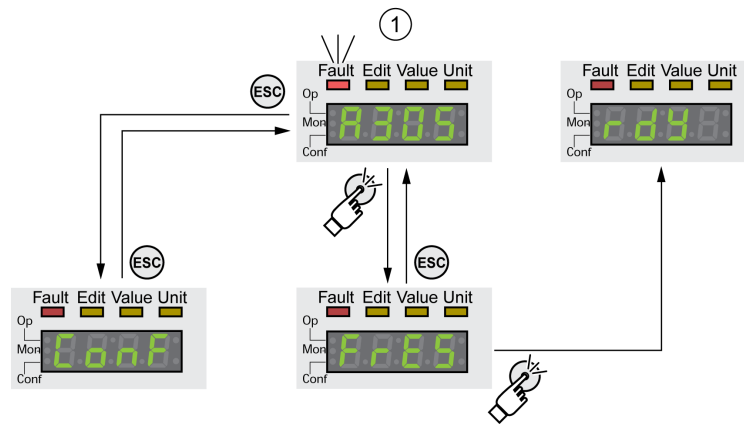
Indication of the Operating State via Fieldbus

Description

Descriptions of how to indicate the operating states via a fieldbus can be found in the fieldbus user guides.

Changing the Operating State via HMI

An error message can be reset via the HMI.



In the case of a detected error of error class 1, resetting the error message causes a transition from operating state 7 Quick Stop Active back to operating state 6 Operation Enabled.

In the case of a detected error of error classes 2 or 3, resetting the error message causes a transition from operating state 9 Fault back to operating state 3 Switch On Disable.

Changing the Operating State via Signal Inputs

Overview

It is possible to switch between operating states via the signal inputs.

- Signal input function "Enable"
- Signal input function "Fault Reset"

Signal Input Function "Enable"

The power stage is enabled by means of the signal input function "Enable".

"Enable"	State transition
Rising edge	Enable power stage (T3)
Falling edge	Disabling the power stage (T9 and T12)

In local control mode, the signal input function "Enable" is the factory setting for DI0.

In order to enable the power stage via the signal input in fieldbus control mode, you must first parameterize the signal input function "Enable", see chapter Digital Inputs and Outputs ([see page 221](#)).

As of firmware version $\geq V01.12$, it is possible to also reset an error message with a rising or a falling edge at the signal input.

Parameter name HMI menu HMI name	Description	Unit Minimum value Factory setting Maximum value	Data type R/W Persistent Expert	Parameter address via fieldbus
IO_FaultResOnEnable <i>CONF → ACC - IER</i>	Additional 'Fault Reset' for the signal input function 'Enable'. 0 / Off / OFF : No additional 'Fault Reset' 1 / OnFallingEdge / FALL : Additional 'Fault Reset' with falling edge 2 / OnRisingEdge / RISE : Additional 'Fault Reset' with rising edge Modified settings become active the next time the power stage is enabled. Available with firmware version $\geq V01.12$.	- 0 0 2	UINT16 R/W per. -	CANopen 3005:34 _h Modbus 1384 Profibus 1384 CIP 105.1.52 ModbusTCP 1384 EtherCAT 3005:34 _h PROFINET 1384

Signal Input Function "Fault Reset"

The signal input function "Fault Reset" is used to reset an error message.

"Fault Reset"	State transition
Rising edge	Resetting an error message (T15 and T16)

In local control mode, the signal input function "Fault Reset" is the factory setting for DI1.

In order to reset an error message via the signal input in fieldbus control mode, you must first parameterize the signal input function "Fault Reset", see chapter Digital Inputs and Outputs ([see page 221](#)).

Changing the Operating State via Fieldbus

Description

The operating states can only be changed via the fieldbus in fieldbus control mode.

Descriptions of how to change the operating states via a fieldbus can be found in the fieldbus user guides.

Section 7.2

Operating Modes

Starting and Changing an Operating Mode

Starting the Operating Mode

In local control mode, the parameter `IOdefaultMode` is used to set the desired operating mode.

The set operating mode is automatically started by enabling the power stage.

Parameter name HMI menu HMI name	Description	Unit Minimum value Factory setting Maximum value	Data type R/W Persistent Expert	Parameter address via fieldbus
<code>IOdefaultMode</code> <i>CONF → ACG - io - Π</i>	Operating mode. 0 / None / none : None 1 / Profile Torque / Torq : Profile Torque 2 / Profile Velocity / VELP : Profile Velocity 3 / Electronic Gear / GER : Electronic Gear 5 / Jog / JOG : Jog 6 / Motion Sequence / MotS : Motion Sequence Setting can only be modified if power stage is disabled. Modified settings become active the next time the product is powered on.	- 0 6 6	UINT16 R/W per. -	CANopen 3005:3 _h Modbus 1286 Profibus 1286 CIP 105.1.3 ModbusTCP 1286 EtherCAT 3005:3 _h PROFINET 1286

In fieldbus control mode, the desired operating mode is set via the fieldbus.

Descriptions of how to start and change operating modes via the fieldbus can be found in the fieldbus user guides.

Starting the Operating Mode via Signal Input

As of firmware version $\geq V01.08$, the signal input function "Activate Operating Mode" is available in local control mode.

This means that you can start the set operating mode via a signal input.

If the signal input function "Activate Operating Mode" has been set, the operating mode is not started automatically when the power stage is enabled. The operating mode is only started when a rising edge is available at the edge.

In order to start the set operating mode via a signal input, you must first parameterize the signal input function "Activate Operating Mode", see chapter Digital Inputs and Outputs (*see page 221*).

Changing the Operating Mode

The operating mode can be changed after the active operating mode has been terminated.

In addition, it is also possible to change the operating mode during a running movement; however, this is only possible in certain operating modes.

Changing the Operating Mode During a Movement

You can switch between the following operating modes during a running movement.

- Jog
- Electronic Gear
- Profile Torque
- Profile Velocity
- Profile Position

The operating mode can be changed while the motor is at a standstill or while the motor is not at a standstill, depending on the new operating mode.

Operating mode to be changed to	Motor standstill
Jog	With motor standstill
Electronic Gear (position synchronization)	With motor standstill
Electronic Gear (velocity synchronization)	Without motor standstill
Profile Torque	Without motor standstill
Profile Velocity	Without motor standstill
Profile Position With firmware version $\geq V01.04$	Drive profile Drive Profile Lexium: Adjustable via parameter PP_OpmChgType Drive profile DS402: With motor standstill ⁽¹⁾
Profile Position With firmware version $< V01.04$	With motor standstill
(1) Parameter PP_OpmChgType must be set to the value 0.	

The motor is decelerated to a standstill via the ramp set in the parameter LIM_HaltReaction, see chapter Stop Movement with Halt (see page 351).

Parameter name HMI menu HMI name	Description	Unit Minimum value Factory setting Maximum value	Data type R/W Persistent Expert	Parameter address via fieldbus
PP_OpmChgType	Change to operating mode Profile Position during movements. 0 / WithStandStill: Change with standstill 1 / OnTheFly: Change without standstill Setting can only be modified if power stage is disabled. Modified settings become active the next time the power stage is enabled. Available with firmware version $\geq V01.04$.	- 0 0 1	UINT16 R/W per. -	CANopen 3023:9 _h Modbus 8978 Profibus 8978 CIP 135.1.9 ModbusTCP 8978 EtherCAT 3023:9 _h PROFINET 8978

NOTE: The change of the operating mode during a movement depends also on the functionality of the Sercos controller. Refer to the user guide of your Sercos controller for more details.

Changing the Operating Mode via Signal Input

In local control mode, the signal input function "Operating Mode Switch" is available.

It allows you to switch via a signal input from the operating mode set in the IOdefaultMode to the operating mode set in the parameter IO_ModeSwitch.

In order to switch between two operating modes, you must first parameterize the signal input function "Operating Mode Switch", see chapter Digital Inputs and Outputs (see page 221).

Parameter name HMI menu HMI name	Description	Unit Minimum value Factory setting Maximum value	Data type R/W Persistent Expert	Parameter address via fieldbus
IO_ModeSwitch CONF → ACC - IONS	Operating mode for signal input function Operating Mode Switch. 0 / None / none: None 1 / Profile Torque / TORQ: Profile Torque 2 / Profile Velocity / VELP: Profile Velocity 3 / Electronic Gear / GER: Electronic Gear Modified settings become active immediately.	- 0 0 3	UINT16 R/W per. -	CANopen 3006:2F _h Modbus 1630 Profibus 1630 CIP 106.1.47 ModbusTCP 1630 EtherCAT 3006:2F _h PROFINET 1630

Section 7.3

Operating Mode Jog

What Is in This Section?

This section contains the following topics:

Topic	Page
Overview	273
Parameterization	277
Additional Settings	280

Overview

Availability

See chapter Control Mode (*see page 202*).

Description

In the operating mode Jog, a movement is made from the actual motor position in the specified direction.

A movement can be made using one of two methods:

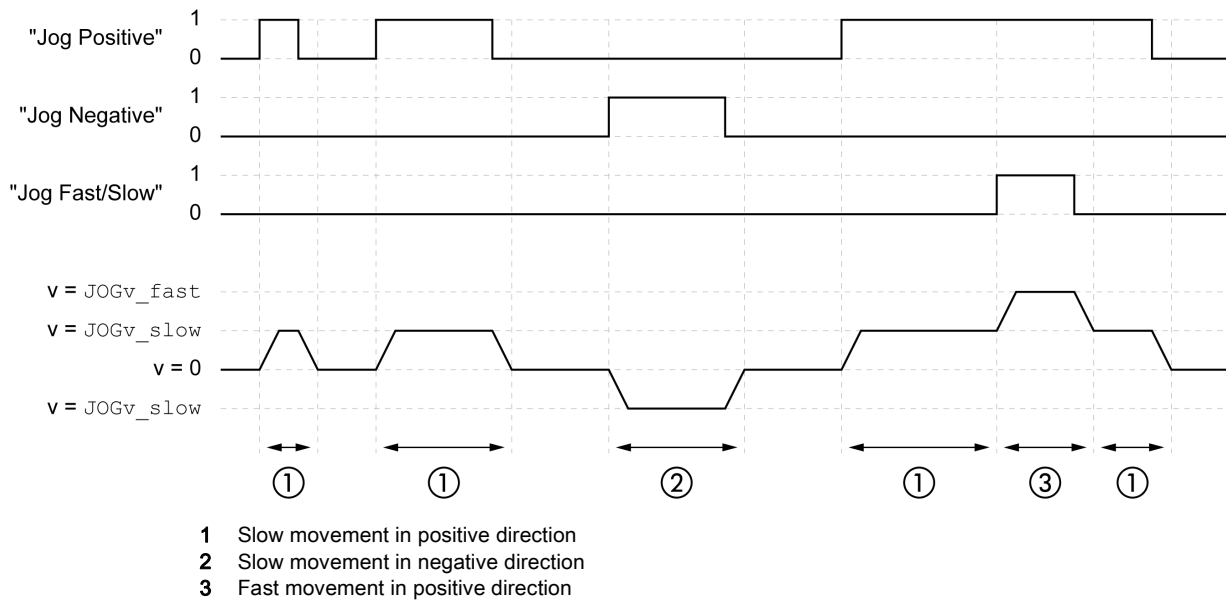
- Continuous movement
- Step movement

In addition, the product features two parameterizable velocities.

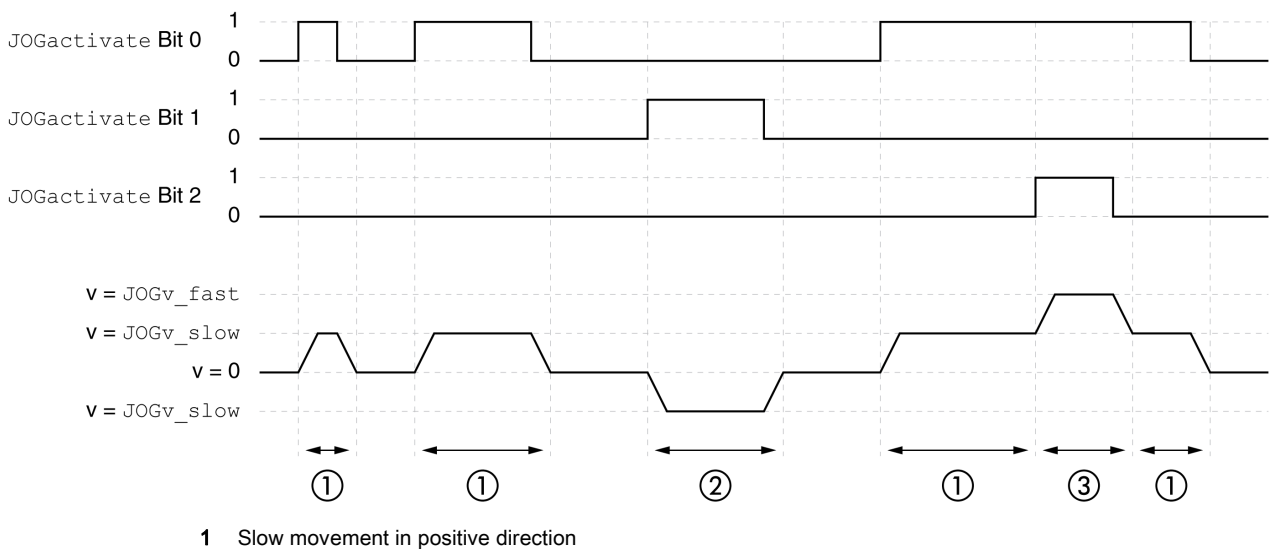
Continuous Movement

As long as the signal for the direction is available, a continuous movement is made in the desired direction.

The illustration below provides an example of continuous movement via the signal inputs in local control mode:



The illustration below provides an example of continuous movement via the fieldbus in fieldbus control mode:



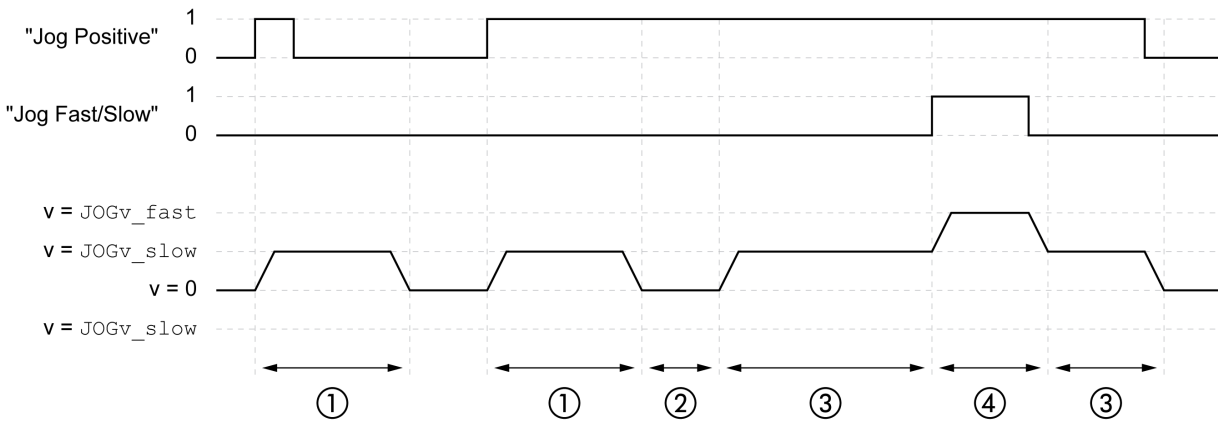
- 2 Slow movement in negative direction
- 3 Fast movement in positive direction

Step Movement

If the signal for the direction is available for a short period of time, a movement with a parameterizable number of user-defined units is made in the desired direction.

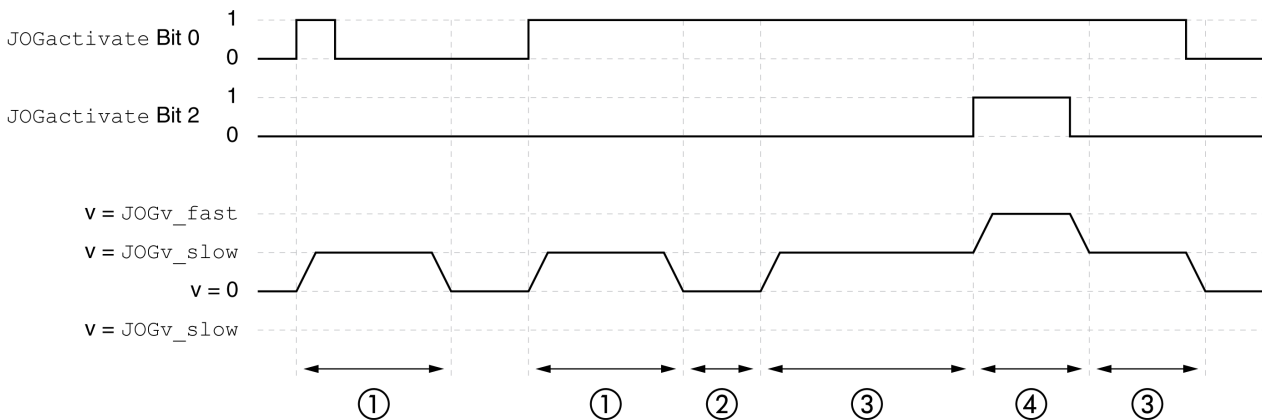
If the signal for the direction is available continuously, a movement with a parameterizable number of user-defined units is made in the desired direction. After this movement, the motor stops for a defined period of time. Then a continuous movement is made in the desired direction.

The illustration below provides an example of step movement via the signal inputs in local control mode:



- 1 Slow movement in positive direction with a parameterizable number of user-defined units JOGstep
- 2 Waiting time JOGtime
- 3 Slow continuous movement in positive direction
- 4 Fast continuous movement in positive direction

The illustration below provides an example of step movement via the fieldbus in fieldbus control mode:



- 1 Slow movement in positive direction with a parameterizable number of user-defined units JOGstep
- 2 Waiting time JOGtime
- 3 Slow continuous movement in positive direction
- 4 Fast continuous movement in positive direction

Starting the Operating Mode

In local control mode, the operating mode must first have been selected, see chapter Starting and Changing an Operating Mode (see page 270). After the power stage is enabled, the operating mode is started automatically.

The power stage is enabled via the signal inputs. The table below provides an overview of the factory settings of the signal inputs:

Signal input	Signal input function
DI0	"Enable" Enable and disable the power stage
DI1	"Fault Reset" Resetting an error message
DI2	"Positive Limit Switch (LIMP)" See chapter Limit Switches (see page 377)
DI3	"Negative Limit Switch (LIMN)" See chapter Limit Switches (see page 377)
DI4	"Jog Negative" Operating mode Jog: Movement in negative direction
DI5	"Jog Positive" Operating mode Jog: Movement in positive direction

The factory settings of the signal inputs depend on the selected operating mode; they can be adapted, see chapter Digital Inputs and Outputs ([see page 221](#)).

In fieldbus control mode, the operating mode is started via the fieldbus. See the fieldbus user guides for a description.

Integrated HMI

It is also possible to start the operating mode via the HMI. Calling $\rightarrow \mathbf{P} \rightarrow \mathbf{JOG} \rightarrow \mathbf{JOG St}$ enables the power stage and starts the operating mode.

The method Continuous Movement is controlled via the HMI.

Turn the navigation button to select one of 4 types of movement:

- $\mathbf{JG -}$: slow movement in positive direction
- $\mathbf{JG =}$: fast movement in positive direction
- $\mathbf{- JG}$: slow movement in negative direction
- $\mathbf{= JG}$: fast movement in negative direction

Press the navigation button to start the movement.

Status Messages

In local control mode, information on the operating state and the ongoing movement is available via signal outputs.

In fieldbus control mode, information on the operating state and the ongoing movement is available via the fieldbus and the signal outputs.

Descriptions on obtaining information on the operating state and the ongoing movement can be found in the fieldbus user guides.

The table below provides an overview of the signal outputs:

Signal output	Signal output function
DQ0	"No Fault" Signals the operating states 4 Ready To Switch On, 5 Switched On and 6 Operation Enabled
DQ1	"Active" Signals the operating state 6 Operation Enabled
DQ2	With local control mode: "In Position Deviation Window" See chapter Position Deviation Window (see page 395) With fieldbus control mode: "Freely Available" See chapter Setting a Signal Output via Parameter (see page 360)

The factory settings of the signal outputs depend on the selected control mode and the selected operating mode; they can be adapted, see chapter Digital Inputs and Outputs ([see page 221](#)).

Terminating the Operating Mode

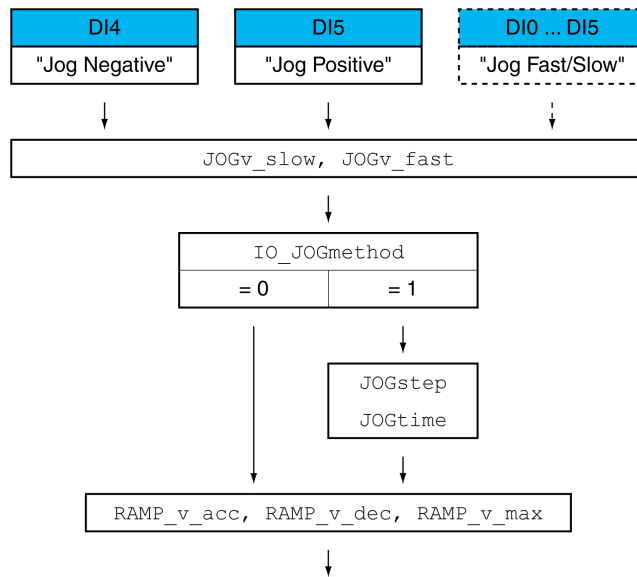
The operating mode is terminated when the motor is at a standstill and one of the following conditions is met:

- Stop caused by “Halt” or “Quick Stop”
- Stop caused by a detected error

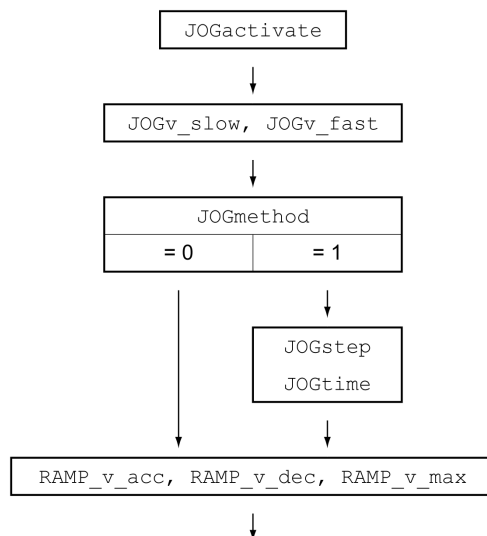
Parameterization

Overview

The illustration below provides an overview of the parameters that can be adjusted in local control mode.



The illustration below provides an overview of the parameters that can be adjusted in fieldbus control mode.



Velocities

Two parameterizable velocities are available.

- Set the desired values with the parameters `JOGv_slow` and `JOGv_fast`.

Parameter name HMI menu HMI name	Description	Unit Minimum value Factory setting Maximum value	Data type R/W Persistent Expert	Parameter address via fieldbus
JOGv_slow OP → JOG - JGL 0	Velocity for slow movement. The adjustable value is internally limited to the parameter setting in RAMP_v_max. Modified settings become active immediately.	usr_v 1 60 2147483647	UINT32 R/W per. -	CANopen 3029:4 _h Modbus 10504 Profibus 10504 CIP 141.1.4 ModbusTCP 10504 EtherCAT 3029:4 _h PROFINET 10504
JOGv_fast OP → JOG - JGH 1	Velocity for fast movement. The adjustable value is internally limited to the parameter setting in RAMP_v_max. Modified settings become active immediately.	usr_v 1 180 2147483647	UINT32 R/W per. -	CANopen 3029:5 _h Modbus 10506 Profibus 10506 CIP 141.1.5 ModbusTCP 10506 EtherCAT 3029:5 _h PROFINET 10506

Switching Between Velocities

In local control mode, the signal input function "Jog Fast/Slow" is available. It allows you to switch between the two velocities via a signal input.

In order to switch between the two velocities, you must first parameterize the signal input function "Jog Fast/Slow", see chapter Digital Inputs and Outputs ([see page 221](#)).

Selection of the Method

In local control mode, the parameter IO_JOGmethod is used to set the method.

- Set the desired method with the parameter IO_JOGmethod.

In fieldbus control mode, the parameter JOGmethod is used to set the method.

- Set the desired method with the parameter JOGmethod.

Parameter name HMI menu HMI name	Description	Unit Minimum value Factory setting Maximum value	Data type R/W Persistent Expert	Parameter address via fieldbus
IO_JOGmethod CONF → ACC - IOJG	Selection of jog method. 0 / Continuous Movement / c o n o : Jog with continuous movement 1 / Step Movement / S t e p o : Jog with step movement Modified settings become active the next time the motor moves.	- 0 0 1	UINT16 R/W per. -	CANopen 3005:18 _h Modbus 1328 Profibus 1328 CIP 105.1.24 ModbusTCP 1328 EtherCAT 3005:18 _h PROFINET 1328
JOGmethod	Selection of jog method. 0 / Continuous Movement / c o n o : Jog with continuous movement 1 / Step Movement / S t e p o : Jog with step movement Modified settings become active immediately.	- 0 1 1	UINT16 R/W - -	CANopen 3029:3 _h Modbus 10502 Profibus 10502 CIP 141.1.3 ModbusTCP 10502 EtherCAT 3029:3 _h PROFINET 10502

Setting the Step Movement

The parameters JOGstep and JOGtime are used to set the parameterizable number of user-defined units and the time for which the motor is stopped.

- Set the desired values with the parameters JOGstep and JOGtime.

Parameter name HMI menu HMI name	Description	Unit Minimum value Factory setting Maximum value	Data type R/W Persistent Expert	Parameter address via fieldbus
JOGstep	Distance for step movement. Modified settings become active the next time the motor moves.	usr_p 1 20 2147483647	INT32 R/W per. -	CANopen 3029:7 _h Modbus 10510 Profibus 10510 CIP 141.1.7 ModbusTCP 10510 EtherCAT 3029:7 _h PROFINET 10510
JOGtime	Wait time for step movement. Modified settings become active the next time the motor moves.	ms 1 500 32767	UINT16 R/W per. -	CANopen 3029:8 _h Modbus 10512 Profibus 10512 CIP 141.1.8 ModbusTCP 10512 EtherCAT 3029:8 _h PROFINET 10512

Changing the Motion Profile for the Velocity

It is possible to change the parameterization of the Motion Profile for the Velocity (*see page 347*).

Additional Settings

The following functions can be used for target value processing:

- Chapter Jerk Limitation ([see page 349](#))
- Chapter Stop Movement with Halt ([see page 351](#))
- Chapter Stop Movement with Quick Stop ([see page 352](#))
- Chapter Limitation of the Velocity via Signal Inputs ([see page 355](#))
- Chapter Limitation of the Current via Signal Inputs ([see page 357](#))
- Chapter Setting a Signal Output via Parameter ([see page 360](#))
- Chapter Position Capture via Signal Input (Vendor-Specific Profile) ([see page 362](#))
- Chapter Position Capture via Signal Input (DS402 Profile) ([see page 367](#))
- Chapter Relative Movement After Capture (RMAC) ([see page 371](#))

The following functions can be used for monitoring the movement:

- Chapter Limit Switches ([see page 377](#))
- Chapter Software Limit Switches ([see page 379](#))
- Chapter Load-Dependent Position Deviation (Following Error) ([see page 381](#))
- Chapter Motor Standstill and Direction of Movement ([see page 385](#))
- Chapter Standstill Window ([see page 388](#))
This function is only available for a step movement.
- Chapter Position Register ([see page 390](#))
- Chapter Position Deviation Window ([see page 395](#))
- Chapter Velocity Deviation Window ([see page 397](#))
- Chapter Velocity Threshold Value ([see page 399](#))
- Chapter Current Threshold Value ([see page 400](#))

Section 7.4

Operating Mode Electronic Gear

What Is in This Section?

This section contains the following topics:

Topic	Page
Overview	282
Parameterization	284
Additional Settings	290

Overview

Availability

See chapter Control Mode ([see page 202](#)).

Description

In the operating mode Electronic Gear, movements are carried out according to externally supplied reference value signals. A position reference value is calculated on the basis of these external reference values plus an adjustable gear ratio. The reference value signals can be A/B signals, P/D signals or CW/CCW signals.

A movement can be made using one of 3 methods:

- Position synchronization without compensation movement
In the case of position synchronization without compensation movement, the movement is made synchronously (position synchronicity) with the supplied reference value signals. Reference value signals supplied during an interruption caused by Halt or by a detected error of error class 1 are not taken into account.
- Position synchronization with compensation movement
In the case of position synchronization with compensation movement, the movement is made synchronously (position synchronicity) with the supplied reference value signals. Reference value signals supplied during an interruption caused by Halt or by a detected error of error class 1 are taken into account and compensated for.
- Velocity synchronization
In the case of velocity synchronization, the movement is made synchronously (velocity synchronicity) with the supplied reference value signals.

Internal Units

The position value for the movement depends on the internal units.

The internal units are 131072 increments per revolution.

Starting the Operating Mode

In local control mode, the operating mode must first have been selected, see chapter Starting and Changing an Operating Mode ([see page 270](#)). After the power stage is enabled, the operating mode is started automatically.

The power stage is enabled via the signal inputs. The table below provides an overview of the factory settings of the signal inputs:

Signal input	Signal input function
DI0	"Enable" Enable and disable the power stage
DI1	"Fault Reset" Resetting an error message
DI2	"Positive Limit Switch (LIMP)" See chapter Limit Switches (see page 377)
DI3	"Negative Limit Switch (LIMN)" See chapter Limit Switches (see page 377)
DI4	"Gear Ratio Switch" Switch between 2 parameterizable gear ratios
DI5	"Halt" See chapter Stop Movement with Halt (see page 351)

The factory settings of the signal inputs depend on the selected operating mode; they can be adapted, see chapter Digital Inputs and Outputs ([see page 221](#)).

In the case of fieldbus control mode, the operating mode is started via the fieldbus. See the fieldbus user guides for a description.

Terminating the Operating Mode

In local control mode, the operating mode is automatically terminated by disabling the power stage.

In fieldbus control mode, the operating mode is terminated via the fieldbus. See the fieldbus user guides for a description.

Status Messages

In local control mode, information on the operating state and the ongoing movement is available via signal outputs.

In fieldbus control mode, information on the operating state and the ongoing movement is available via the fieldbus and the signal outputs.

Descriptions on obtaining information on the operating state and the ongoing movement can be found in the fieldbus user guides.

The table below provides an overview of the signal outputs:

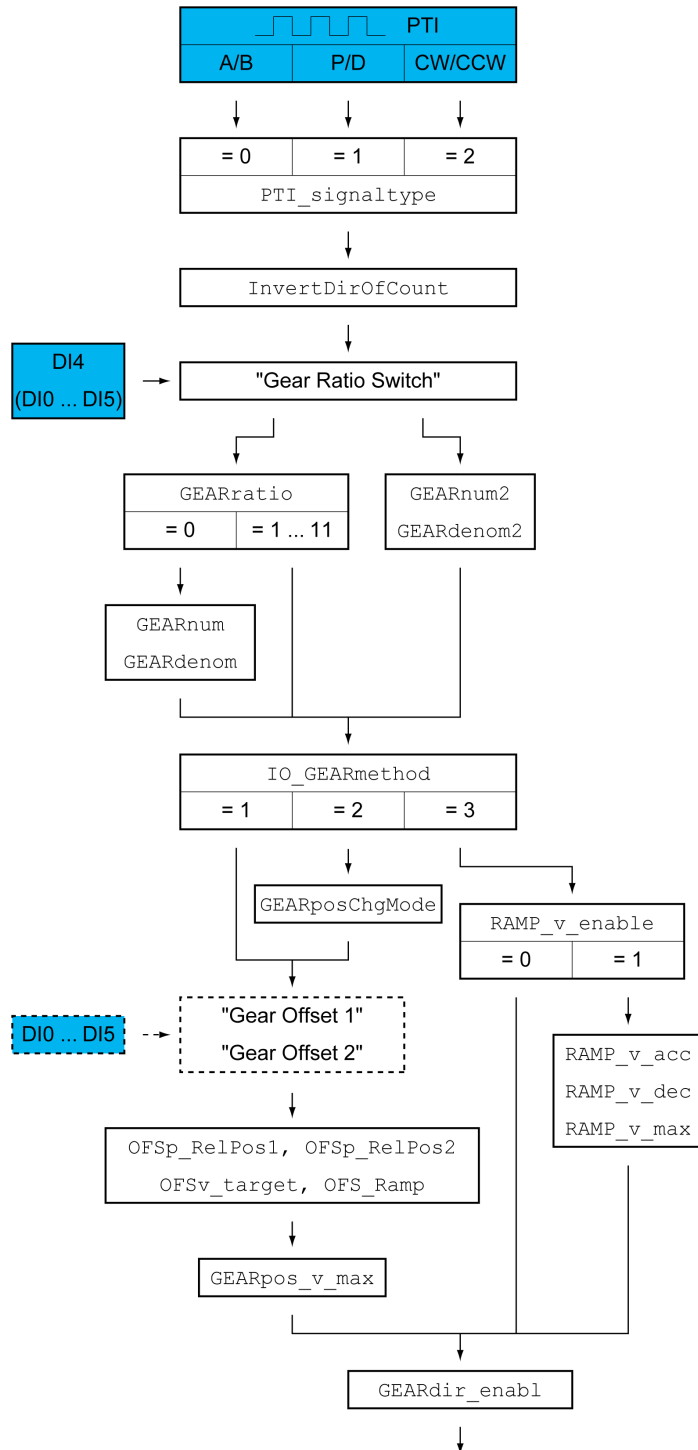
Signal output	Signal output function
DQ0	"No Fault" Signals the operating states 4 Ready To Switch On, 5 Switched On and 6 Operation Enabled
DQ1	"Active" Signals the operating state 6 Operation Enabled
DQ2	With local control mode: "In Position Deviation Window" See chapter Position Deviation Window (see page 395) With fieldbus control mode: "Freely Available" See chapter Setting a Signal Output via Parameter (see page 360)

The factory settings of the signal outputs depend on the selected control mode and the selected operating mode; they can be adapted, see chapter Digital Inputs and Outputs ([see page 221](#)).

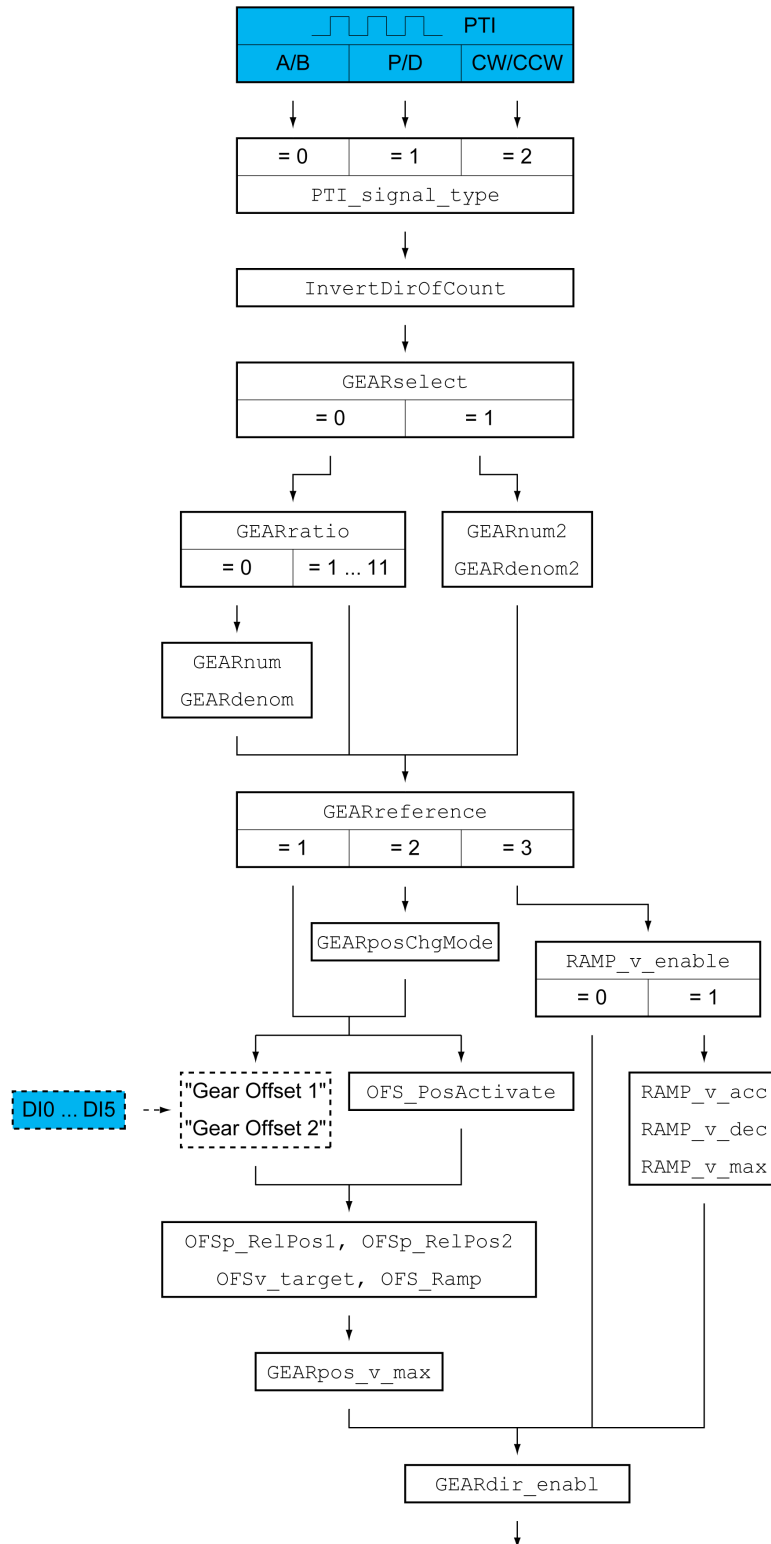
Parameterization

Overview

The illustration below provides an overview of the parameters that can be adjusted in local control mode.



The illustration below provides an overview of the parameters that can be adjusted in fieldbus control mode.



Type of Reference Value Signal and Inversion of the Reference Value Signals

The PTI interface can be set:

- Type of reference value signal
- Inverting the reference value signals

See chapter Setting the PTI Interface (*see page 239*) for information on setting the PTI interface.

Gear Ratio

The gear ratio is the ratio of the number of motor increments and the number of externally supplied reference increments.

$$\text{Gear factor} = \frac{\text{Motor increments}}{\text{Reference increments}} = \frac{\text{Gear factor numerator}}{\text{Gear factor denominator}}$$

In local control mode, the signal input function "Gear Ratio Switch" allows you to switch between 2 parameterizable gear ratios during operation.

In fieldbus control mode, the parameter `GEARselect` allows you to switch between 2 parameterizable gear ratios during operation.

The parameter `GEARratio` allows you to set a predefined gear ratio. It is also possible to set a parameterizable gear ratio.

The parameterizable gear ratio is defined with the parameters `GEARnum` and `GEARdenom`. A negative numerator value reverses the motor's direction of movement.

- Set the desired gear ratio with the parameters `GEARratio`, `GEARnum`, `GEARdenom`, `GEARnum2` and `GEARdenom2`.

Parameter name HMI menu HMI name	Description	Unit Minimum value Factory setting Maximum value	Data type R/W Persistent Expert	Parameter address via fieldbus
<code>GEARratio</code> <i>CONF → r - o - G F R C</i>	Selection of gear ratio. 0 / Gear Factor / F R C E : Usage of gear ratio adjusted with <code>GEARnum/GEARdenom</code> 1 / 200 / 2000 : 200 2 / 400 / 4000 : 400 3 / 500 / 5000 : 500 4 / 1000 / 10000 : 1000 5 / 2000 / 20000 : 2000 6 / 4000 / 40000 : 4000 7 / 5000 / 50000 : 5000 8 / 10000 / 100000 : 10000 9 / 4096 / 40960 : 4096 10 / 8192 / 81920 : 8192 11 / 16384 / 163840 : 16384 A change of the reference value by the specified value causes one motor revolution. Modified settings become active immediately.	- 0 0 11	UINT16 R/W per. -	CANopen 3026:6 _h Modbus 9740 Profibus 9740 CIP 138.1.6 ModbusTCP 9740 EtherCAT 3026:6 _h PROFINET 9740
<code>GEARselect</code>	Gear ratio selection. Switches between two gear ratios: Value 0: Use gear ratio defined by parameter <code>GEARratio</code> Value 1: Use gear ratio from parameters <code>GEARnum2/GEARdenom2</code> Modified settings become active immediately.	- 0 0 1	UINT16 R/W - -	CANopen 3026:E _h Modbus 9756 Profibus 9756 CIP 138.1.14 ModbusTCP 9756 EtherCAT 3026:E _h PROFINET 9756
<code>GEARnum</code>	Numerator of gear ratio. <code>GEARnum</code> ----- = Gear ratio <code>GEARdenom</code> The new gear ratio is applied when the numerator value is supplied. Modified settings become active immediately.	- -2147483648 1 2147483647	INT32 R/W per. -	CANopen 3026:4 _h Modbus 9736 Profibus 9736 CIP 138.1.4 ModbusTCP 9736 EtherCAT 3026:4 _h PROFINET 9736
<code>GEARdenom</code>	Denominator of gear ratio. See description <code>GEARnum</code>	- 1 1 2147483647	INT32 R/W per. -	CANopen 3026:3 _h Modbus 9734 Profibus 9734 CIP 138.1.3 ModbusTCP 9734 EtherCAT 3026:3 _h PROFINET 9734

Parameter name HMI menu HMI name	Description	Unit Minimum value Factory setting Maximum value	Data type R/W Persistent Expert	Parameter address via fieldbus
GEARnum2	Numerator of gear ratio number 2. GEARnum2 ----- = Gear ratio GEARdenom2 The new gear ratio is applied when the numerator value is supplied. Modified settings become active immediately.	- -2147483648 1 2147483647	INT32 R/W per. -	CANopen 3026:D _h Modbus 9754 Profibus 9754 CIP 138.1.13 ModbusTCP 9754 EtherCAT 3026:D _h PROFINET 9754
GEARdenom2	Denominator of gear ratio number 2. See description GEARnum	- 1 1 2147483647	INT32 R/W per. -	CANopen 3026:C _h Modbus 9752 Profibus 9752 CIP 138.1.12 ModbusTCP 9752 EtherCAT 3026:C _h PROFINET 9752

Selection of the Method

The method specifies the way the movement is to be performed.

- In local control mode, set the desired method with the parameter `IO_GEARmethod`.
- In fieldbus control mode, set the desired method with the parameter `GEARreference`.

Parameter name HMI menu HMI name	Description	Unit Minimum value Factory setting Maximum value	Data type R/W Persistent Expert	Parameter address via fieldbus
GEARreference	Synchronization method for operating mode Electronic Gear. 0 / Deactivated: Deactivated 1 / Position Synchronization Immediate: Position synchronization without compensation movement 2 / Position Synchronization Compensated: Position synchronization with compensation movement 3 / Velocity Synchronization: Velocity synchronization Modified settings become active immediately.	- 0 0 3	UINT16 R/W - -	CANopen 301B:12 _h Modbus 6948 Profibus 6948 CIP 127.1.18 ModbusTCP 6948 EtherCAT 301B:12 _h PROFINET 6948

Position Change with Power Stage Disabled

If the method "Synchronization With Compensation Movement" is selected, the parameter `GEARposChgMode` determines the way changes to the motor position and to the reference value signals are handled with disabled power stage.

Position changes can be ignored or taken into account during a transition to operating state **6** Operation Enabled.

- Off: Position changes with disabled power stage are ignored.
- On: Position changes with disabled power stage are taken into account.
Position changes between starting the operating mode and the subsequent enabling of the power stage are not taken into account.

Parameter name HMI menu HMI name	Description	Unit Minimum value Factory setting Maximum value	Data type R/W Persistent Expert	Parameter address via fieldbus
GEARposChgMode	Treatment of position changes with inactive power stage. 0 / Off: Position changes in states with disabled power stage are ignored. 1 / On: Position changes in states with disabled power stage are taken into account. This setting has an effect only if gear processing is started in the mode 'Synchronization with compensation movement'. Modified settings become active the next time the power stage is enabled.	- 0 0 1	UINT16 R/W per. -	CANopen 3026:B _h Modbus 9750 Profibus 9750 CIP 138.1.11 ModbusTCP 9750 EtherCAT 3026:B _h PROFINET 9750

Offset Movement

The offset movement allows you to perform a movement with a parameterizable number of increments. Offset movements are only available for the methods "Position Synchronization Without Compensation Movement" and "Position Synchronization With Compensation Movement".

Two parameterizable offset positions are available. The parameters OFSp_RelPos1 and OFSp_RelPos2 are used to set the offset positions.

In local control mode, an offset movement is started via a signal input.

In fieldbus control mode, an offset movement is started via a signal input or via the fieldbus.

In order to start offset movements via the signal input, you must first parameterize the signal input functions "Gear Offset 1" and "Gear Offset 2", see chapter Digital Inputs and Outputs (*see page 221*).

The velocity and the acceleration for the offset movement are set via the parameters OFSv_target and OFS_Ramp.

Parameter name HMI menu HMI name	Description	Unit Minimum value Factory setting Maximum value	Data type R/W Persistent Expert	Parameter address via fieldbus
OFSp_RelPos1	Relative offset position 1 for offset movement. Modified settings become active immediately.	Inc -2147483648 0 2147483647	INT32 R/W per. -	CANopen 3027:8 _h Modbus 10000 Profibus 10000 CIP 139.1.8 ModbusTCP 10000 EtherCAT 3027:8 _h PROFINET 10000
OFSp_RelPos2	Relative offset position 2 for offset movement. Modified settings become active immediately.	Inc -2147483648 0 2147483647	INT32 R/W per. -	CANopen 3027:A _h Modbus 10004 Profibus 10004 CIP 139.1.10 ModbusTCP 10004 EtherCAT 3027:A _h PROFINET 10004
OFS_PosActivate	Offset movement with relative offset position. This parameter starts an offset movement with one of the relative offset positions specified by means of the parameters OFSp_RelPos1 and OFSp_RelPos2. Value 0: No offset movement Value 1: Start offset movement with relative offset position 1 (OFSp_RelPos1) Value 2: Start offset movement with relative offset position 2 (OFSp_RelPos2) Modified settings become active immediately.	- 0 0 3	UINT16 R/W - -	CANopen 3027:B _h Modbus 10006 Profibus 10006 CIP 139.1.11 ModbusTCP 10006 EtherCAT 3027:B _h PROFINET 10006

Parameter name HMI menu HMI name	Description	Unit Minimum value Factory setting Maximum value	Data type R/W Persistent Expert	Parameter address via fieldbus
OFSv_target	Target velocity for offset movement. The maximum value is 5000 if the user-defined scaling factor of the velocity scaling is 1. This applies to the user-defined scaling factors. Example: If the user-defined scaling factor of the velocity scaling is 2 (ScaleVELnum = 2, ScaleVELdenom = 1), the maximum value is 2500. Modified settings become active immediately.	usr_v 1 60 2147483647	UINT32 R/W per. -	CANopen 3027:4 _h Modbus 9992 Profibus 9992 CIP 139.1.4 ModbusTCP 9992 EtherCAT 3027:4 _h PROFINET 9992
OFS_Ramp	Acceleration and deceleration for offset movement. Setting can only be modified if power stage is disabled. Modified settings become active the next time the power stage is enabled.	usr_a 1 600 2147483647	UINT32 R/W per. -	CANopen 3027:6 _h Modbus 9996 Profibus 9996 CIP 139.1.6 ModbusTCP 9996 EtherCAT 3027:6 _h PROFINET 9996

Changing the Motion Profile for the Velocity

If the method "Velocity Synchronization" is selected, the motion profile for the velocity can be changed.

It is possible to change the parameterization of the motion profile for the velocity, see chapter Motion Profile for the Velocity ([see page 347](#)).

Velocity Limitation

As of firmware version $\geq V01.10$ a velocity limitation can be activated for the methods "Positions synchronization without compensation movement" and "Positions synchronisation with compensation movement".

Parameter name HMI menu HMI name	Description	Unit Minimum value Factory setting Maximum value	Data type R/W Persistent Expert	Parameter address via fieldbus
GEARpos_v_max	Velocity limitation for the method Position Synchronization. Value 0: No velocity limitation Value >0: Velocity limitation in usr_v Modified settings become active immediately. Available with firmware version $\geq V01.10$.	usr_v 0 0 2147483647	UINT32 R/W per. -	CANopen 3026:9 _h Modbus 9746 Profibus 9746 CIP 138.1.9 ModbusTCP 9746 EtherCAT 3026:9 _h PROFINET 9746

Release of Direction

Release of direction allows you to limit movements to positive or negative direction. Release of direction is set with the parameter GEARdir_enabl.

- Set the desired directions of movement with the parameter GEARdir_enabl.

Parameter name HMI menu HMI name	Description	Unit Minimum value Factory setting Maximum value	Data type R/W Persistent Expert	Parameter address via fieldbus
GEARdir_enabl	Enabled direction of movement for operating mode Electronic Gear. 1 / Positive: Positive direction 2 / Negative: Negative direction 3 / Both: Both directions This allows you to activate a return movement lock function. Modified settings become active immediately.	- 1 3 3	UINT16 R/W per. -	CANopen 3026:5 _h Modbus 9738 Profibus 9738 CIP 138.1.5 ModbusTCP 9738 EtherCAT 3026:5 _h PROFINET 9738

Additional Settings

The following functions can be used for target value processing:

- Chapter Stop Movement with Halt (*see page 351*)
- Chapter Stop Movement with Quick Stop (*see page 352*)
- Chapter Limitation of the Velocity via Signal Inputs (*see page 355*)
- Chapter Limitation of the Current via Signal Inputs (*see page 357*)
- Chapter Jerk Limitation (*see page 349*)
This function is only available for the methods "Position Synchronization Without Compensation Movement" and "Position Synchronization With Compensation Movement".
- Chapter Zero Clamp (*see page 359*)
This function is only available with the method "Velocity Synchronization".
- Chapter Setting a Signal Output via Parameter (*see page 360*)
- Chapter Position Capture via Signal Input
- Chapter Relative Movement After Capture (RMAC) (*see page 371*)

The following functions can be used for monitoring the movement:

- Chapter Limit Switches (*see page 377*)
- Chapter Software Limit Switches (*see page 379*)
- Chapter Load-Dependent Position Deviation (Following Error) (*see page 381*)
This function is only available for the methods "Position Synchronization Without Compensation Movement" and "Position Synchronization With Compensation Movement".
- Chapter Motor Standstill and Direction of Movement (*see page 385*)
- Chapter Velocity Window (*see page 387*)
This function is only available with the method "Velocity Synchronization".
- Chapter Position Register (*see page 390*)
- Chapter Position Deviation Window (*see page 395*)
This function is only available for the methods "Position Synchronization Without Compensation Movement" and "Position Synchronization With Compensation Movement".
- Chapter Velocity Deviation Window (*see page 397*)
This function is only available with the method "Velocity Synchronization".
- Chapter Velocity Threshold Value (*see page 399*)
- Chapter Current Threshold Value (*see page 400*)

Section 7.5

Operating Mode Profile Torque

What Is in This Section?

This section contains the following topics:

Topic	Page
Overview	292
Parameterization	294
Additional Settings	299

Overview

Availability

See chapter Control Mode ([see page 202](#)).

Description

In the operating mode Profile Torque, a movement is made with a specified target torque.


In local control mode, the torque can be set via the following interface:

- Target torque via analog inputs (module IOM1)
- Reference current via PTI interface (with firmware version $\geq V01.20$)

In fieldbus control mode, the torque can be set via the following interface:

- Target torque via parameter
- Target torque via analog inputs (module IOM1)
- Reference current via PTI interface (with firmware version $\geq V01.20$)

Without a proper limit value, the motor can reach an unintentionally high velocity in this operating mode.

 WARNING
<p>UNINTENTIONALLY HIGH VELOCITY</p> <p>Verify that the parameterized velocity limitation is appropriate for the motor.</p> <p>Failure to follow these instructions can result in death, serious injury, or equipment damage.</p>

Starting the Operating Mode

In local control mode, the operating mode must first have been selected, see chapter Starting and Changing an Operating Mode ([see page 270](#)). After the power stage is enabled, the operating mode is started automatically.

The power stage is enabled via the signal inputs. The table below provides an overview of the factory settings of the signal inputs:

Signal input	Signal input function
DI0	"Enable" Enable and disable the power stage
DI1	"Fault Reset" Resetting an error message
DI2	"Operating Mode Switch" See chapter Starting and Changing an Operating Mode (see page 270)
DI3	"Velocity Limitation" See chapter Limitation of the Velocity via Signal Inputs (see page 355)
DI4	"Current Limitation" See chapter Limitation of the Current via Signal Inputs (see page 357)
DI5	"Halt" See chapter Stop Movement with Halt (see page 351)

The factory settings of the signal inputs depend on the selected operating mode; they can be adapted, see chapter Digital Inputs and Outputs ([see page 221](#)).

In fieldbus control mode, the operating mode is started via the fieldbus. See the fieldbus user guides for a description.

Status Messages

In local control mode, information on the operating state and the ongoing movement is available via signal outputs.

In fieldbus control mode, information on the operating state and the ongoing movement is available via the fieldbus and the signal outputs.

Descriptions on obtaining information on the operating state and the ongoing movement can be found in the fieldbus user guides.

The table below provides an overview of the signal outputs:

Signal output	Signal output function
DQ0	"No Fault" Signals the operating states 4 Ready To Switch On, 5 Switched On and 6 Operation Enabled
DQ1	"Active" Signals the operating state 6 Operation Enabled
DQ2	With local control mode: "Current Below Threshold" See chapter Current Threshold Value (<i>see page 400</i>) With fieldbus control mode: "Freely Available" See chapter Setting a Signal Output via Parameter (<i>see page 360</i>)

The factory settings of the signal outputs depend on the selected control mode and the selected operating mode; they can be adapted, see chapter Digital Inputs and Outputs (*see page 221*).

Terminating the Operating Mode

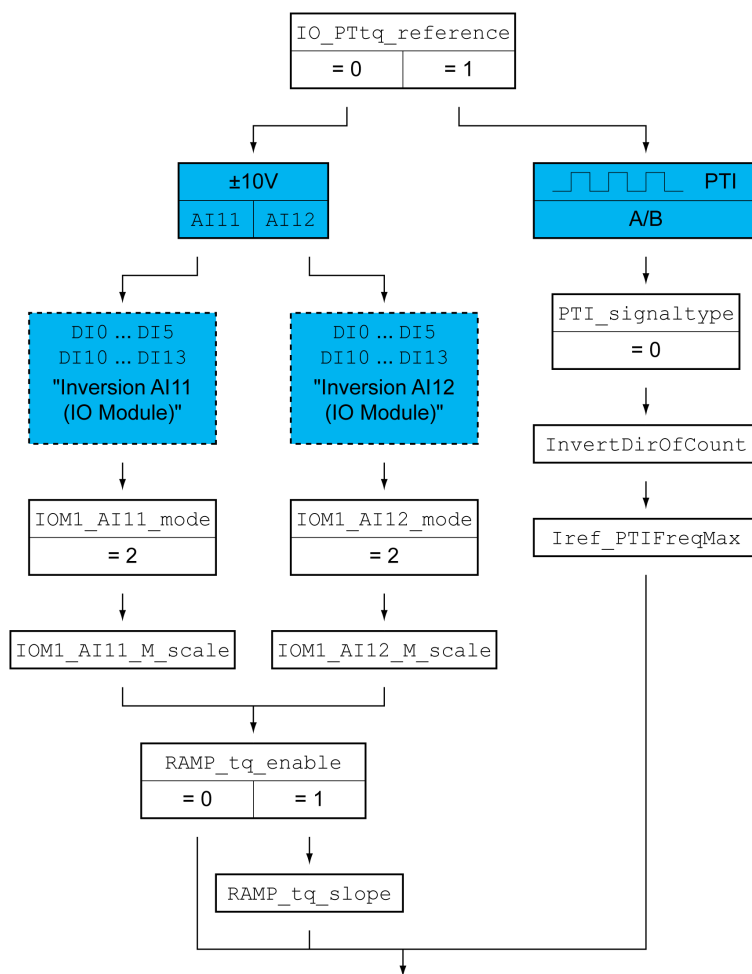
The operating mode is terminated when the motor is at a standstill and one of the following conditions is met:

- Stop caused by "Halt" or "Quick Stop"
- Stop caused by a detected error

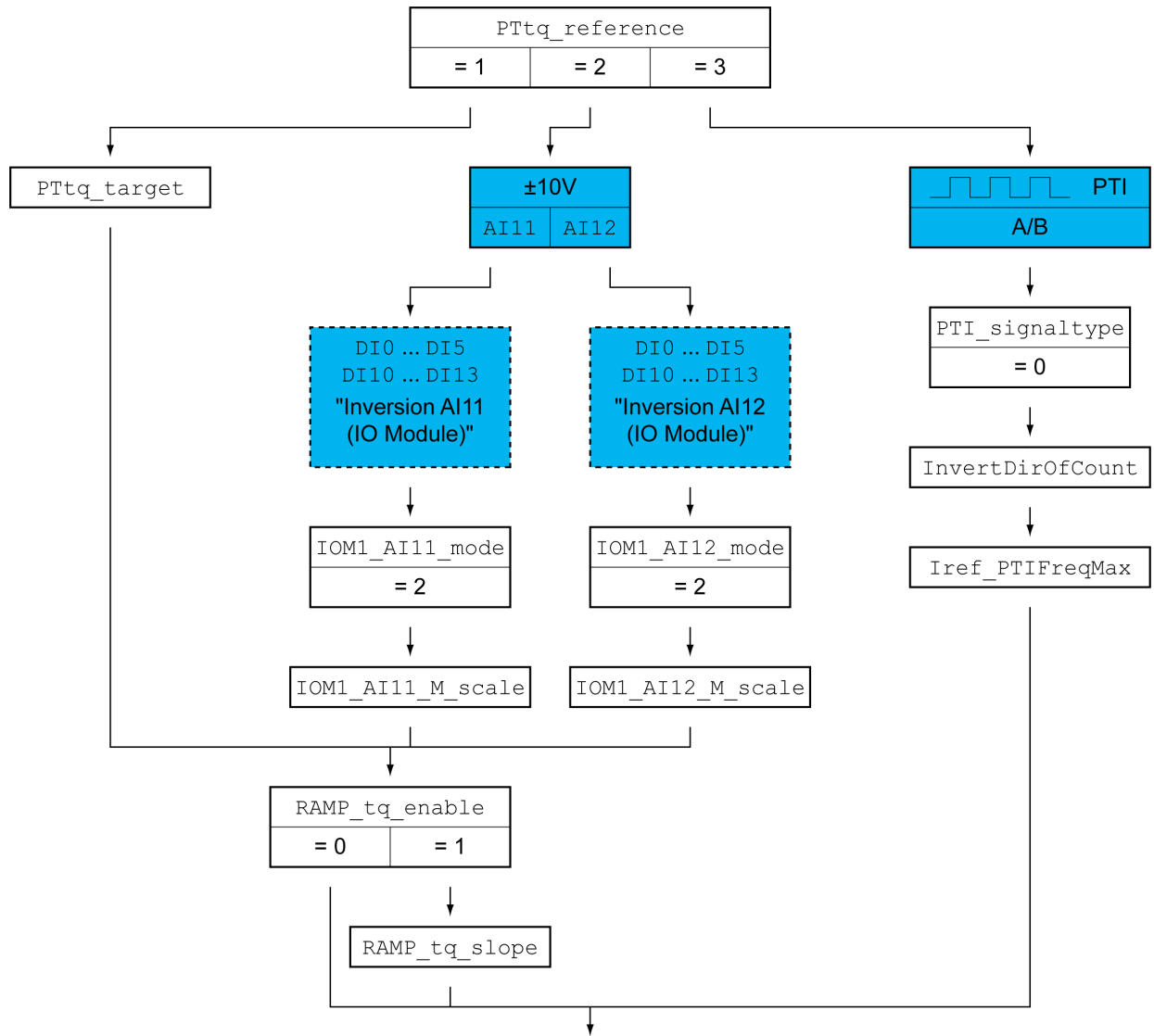
Parameterization

Overview

The illustration below provides an overview of the parameters that can be adjusted in local control mode.



The illustration below provides an overview of the parameters that can be adjusted in fieldbus control mode.



Setting the Source of the Reference Value

In local control mode, the parameter `IO_PTTq_reference` is used to set the source of the reference value.

- Set the desired source of the reference value with the parameter `IO_PTTq_reference`.

In fieldbus control mode, the parameter `PTTq_reference` is used to set the source of the reference value.

- Set the desired source of the reference value with the parameter `PTTq_reference`.

Parameter name HMI menu HMI name	Description	Unit Minimum value Factory setting Maximum value	Data type R/W Persistent Expert	Parameter address via fieldbus
IO_PtTq_reference CONF → ACC - 10E9	Reference value source for operating mode Profile Torque. 0 / Analog Input / IANA : Reference value via analog input 1 / PTI Interface / IPEI : Reference value via PTI interface Setting can only be modified if power stage is disabled. Modified settings become active the next time the power stage is enabled. Available with firmware version ≥V01.20.	- 0 0 1	UINT16 R/W per. -	CANopen 3005:38 _h Modbus 1392 Profibus 1392 CIP 105.1.56 ModbusTCP 1392 EtherCAT 3005:38 _h PROFINET 1392
PtTq_reference	Reference value source for operating mode Profile Torque. 0 / None : None 1 / Parameter 'PtTq_target' : Reference value via parameter PtTq_target 2 / Analog Input : Reference value via analog input 3 / PTI Interface : Reference value via PTI interface Modified settings become active immediately. Available with firmware version ≥V01.10.	- 0 1 3	UINT16 R/W - -	CANopen 301B:38 _h Modbus 7024 Profibus 7024 CIP 127.1.56 ModbusTCP 7024 EtherCAT 301B:38 _h PROFINET 7024

Offset and Zero Voltage Window (for Analog Inputs Only)

It is possible to change the development of the target value with reference to the ±10V input value:

- Parameterization of an offset
- Parameterization of a zero voltage window

See manual for the module IOM1 for settings for the analog inputs.

Setting the Type of Usage (for Analog Inputs Only)

The parameters IOM1_AI11_mode and IOM1_AI12_mode let you select the type of usage of the analog signal inputs.

- If you want to use the analog signal input AI11, set the parameter IOM1_AI11_mode to the value "Target Torque".
If you want to use the analog signal input AI12, set the parameter IOM1_AI12_mode to the value "Target Torque".

Parameter name HMI menu HMI name	Description	Unit Minimum value Factory setting Maximum value	Data type R/W Persistent Expert	Parameter address via fieldbus
IOM1_AI11_mode CONF → IOP - A11U	IOM1 Type of usage of AI11. 0 / None / none : No function 1 / Target Velocity / SPd5 : Target velocity for the velocity controller 2 / Target Torque / Tr95 : Target torque for the current controller 3 / Velocity Limitation / LSPd : Limitation of the reference velocity for the velocity controller 4 / Current Limitation / Lcur : Limitation of the reference current for the current controller Setting can only be modified if power stage is disabled. Modified settings become active the next time the power stage is enabled. Available with firmware version ≥V01.06.	- 0 1 4	UINT16 R/W per. -	CANopen 304F:E _h Modbus 20252 Profibus 20252 CIP 179.1.14 ModbusTCP 20252 EtherCAT 304F:E _h PROFINET 20252

Parameter name HMI menu HMI name	Description	Unit Minimum value Factory setting Maximum value	Data type R/W Persistent Expert	Parameter address via fieldbus
IOM1_AI12_mode CONF → I - 0 - R12u	IOM1 Type of usage of AI12. 0 / None / none : No function 1 / Target Velocity / SPd5 : Target velocity for the velocity controller 2 / Target Torque / Tr95 : Target torque for the current controller 3 / Velocity Limitation / LSPd : Limitation of the reference velocity for the velocity controller 4 / Current Limitation / Lcur : Limitation of the reference current for the current controller Setting can only be modified if power stage is disabled. Modified settings become active the next time the power stage is enabled. Available with firmware version ≥V01.06.	- 0 0 4	UINT16 R/W per. -	CANopen 304F:13 _h Modbus 20262 Profibus 20262 CIP 179.1.19 ModbusTCP 20262 EtherCAT 304F:13 _h PROFINET 20262

Setting the Target Torque (for Analog Inputs Only)

The parameters `IOM1_AI11_M_scale` and `IOM1_AI12_M_scale` let you set the target torque for a voltage value of 10 V.

- If you want to use the analog signal input AI11, use the parameter `IOM1_AI11_M_scale` to set the desired target torque for a voltage value of 10 V.
If you want to use the analog signal input AI12, use the parameter `IOM1_AI12_M_scale` to set the desired target torque for a voltage value of 10 V.

Parameter name HMI menu HMI name	Description	Unit Minimum value Factory setting Maximum value	Data type R/W Persistent Expert	Parameter address via fieldbus
IOM1_AI11_M_scale CONF → I - 0 - E11t	IOM1 Target torque at 10 V in operating mode Profile Torque of AI11. 100.0 % correspond to the continuous stall torque _M_M_0. By using a negative sign, you can invert the evaluation of the analog signal. In increments of 0.1 %. Modified settings become active immediately. Available with firmware version ≥V01.06.	% -3000.0 100.0 3000.0	INT16 R/W per. -	CANopen 304F:12 _h Modbus 20260 Profibus 20260 CIP 179.1.18 ModbusTCP 20260 EtherCAT 304F:12 _h PROFINET 20260
IOM1_AI12_M_scale CONF → I - 0 - E12t	IOM1 Target torque at 10 V in operating mode Profile Torque of AI12. 100.0 % correspond to the continuous stall torque _M_M_0. By using a negative sign, you can invert the evaluation of the analog signal. In increments of 0.1 %. Modified settings become active immediately. Available with firmware version ≥V01.06.	% -3000.0 100.0 3000.0	INT16 R/W per. -	CANopen 304F:17 _h Modbus 20270 Profibus 20270 CIP 179.1.23 ModbusTCP 20270 EtherCAT 304F:17 _h PROFINET 20270

Setting the Target Torque (for Parameter Only)

In fieldbus control mode, the parameter `PTtq_target` is used to set the target torque.

- Set the desired target torque with the parameter `PTtq_target`.

Parameter name HMI menu HMI name	Description	Unit Minimum value Factory setting Maximum value	Data type R/W Persistent Expert	Parameter address via fieldbus
PTtq_target	Target torque. 100.0 % correspond to the continuous stall torque $_M_M_0$. In increments of 0.1 %. Modified settings become active immediately.	% -3000.0 0.0 3000.0	INT16 R/W - -	CANopen 6071:0h Modbus 6944 Profibus 6944 CIP 127.1.16 ModbusTCP 6944 EtherCAT 6071:0h PROFINET 6944

Changing the Motion Profile for the Torque (for Analog Inputs and Parameter Only)

It is possible to change the parameterization of the motion profile for the torque.

Parameter name HMI menu HMI name	Description	Unit Minimum value Factory setting Maximum value	Data type R/W Persistent Expert	Parameter address via fieldbus
RAMP_tq_enable	Activation of the motion profile for torque. 0 / Profile Off: Profile off 1 / Profile On: Profile on In the operating mode Profile Torque, the motion profile for torque can be activated or deactivated. In the other operating modes, the motion profile for torque is inactive. Setting can only be modified if power stage is disabled. Modified settings become active immediately.	- 0 1 1	UINT16 R/W per. -	CANopen 3006:2C _h Modbus 1624 Profibus 1624 CIP 106.1.44 ModbusTCP 1624 EtherCAT 3006:2C _h PROFINET 1624
RAMP_tq_slope	Slope setting of the motion profile for torque. 100.00 % of the torque setting correspond to the continuous stall torque $_M_M_0$. Example: A ramp setting of 10000.00 %/s results in a torque change of 100.0% of $_M_M_0$ in 0.01s. In increments of 0.1 %/s. Modified settings become active immediately.	%/s 0.1 10000.0 3000000.0	UINT32 R/W per. -	CANopen 6087:0h Modbus 1620 Profibus 1620 CIP 106.1.42 ModbusTCP 1620 EtherCAT 6087:0h PROFINET 1620

Type of Reference Value Signal and Inversion of the Reference Value Signals (for PTI Interface Only)

The PTI interface can be set:

- Type of reference value signal (must be set to A/B signals)
- Inverting the reference value signals

See chapter Setting the PTI Interface (*see page 239*) for information on setting the PTI interface.

Setting the Reference Current (for PTI Interface Only)

The parameter $I_{ref_PTIFreqMax}$ is used to set the reference current.

- Set the desired reference current with the parameter $I_{ref_PTIFreqMax}$.

Parameter name HMI menu HMI name	Description	Unit Minimum value Factory setting Maximum value	Data type R/W Persistent Expert	Parameter address via fieldbus
$I_{ref_PTIFreqMax}$	Reference current for operating mode Profile Torque via PTI interface. Reference current corresponding to 1.6 million increments per second at the PTI interface for operating mode Profile Torque. In increments of 0.01 A_{rms} . Modified settings become active immediately. Available with firmware version $\geq V01.20$.	A_{rms} 0.00 - 463.00	UINT16 R/W per. -	CANopen 3020:4h Modbus 8200 Profibus 8200 CIP 132.1.4 ModbusTCP 8200 EtherCAT 3020:4h PROFINET 8200

Additional Settings

The following functions can be used for target value processing:

- Chapter Stop Movement with Halt (*see page 351*)
- Chapter Stop Movement with Quick Stop (*see page 352*)
- Chapter Limitation of the Velocity via Signal Inputs (*see page 355*)
- Chapter Limitation of the Current via Signal Inputs (*see page 357*)
- Chapter Setting a Signal Output via Parameter (*see page 360*)
- Chapter Position Capture via Signal Input (Vendor-Specific Profile) (*see page 362*)
- Chapter Position Capture via Signal Input (DS402 Profile) (*see page 367*)
- Chapter Relative Movement After Capture (RMAC) (*see page 371*)

The following functions can be used for monitoring the movement:

- Chapter Limit Switches (*see page 377*)
- Chapter Software Limit Switches (*see page 379*)
- Chapter Motor Standstill and Direction of Movement (*see page 385*)
- Chapter Torque Window (*see page 386*)
- Chapter Position Register (*see page 390*)
- Chapter Velocity Threshold Value (*see page 399*)
- Chapter Current Threshold Value (*see page 400*)

Section 7.6

Operating Mode Profile Velocity

What Is in This Section?

This section contains the following topics:

Topic	Page
Overview	301
Parameterization	303
Additional Settings	307

Overview

Availability

See chapter Control Mode ([see page 202](#)).

Description

In the operating mode Profile Velocity, a movement is made with a specified target velocity.

Starting the Operating Mode

In local control mode, the operating mode must first have been selected, see chapter Starting and Changing an Operating Mode ([see page 270](#)). After the power stage is enabled, the operating mode is started automatically.

The power stage is enabled via the signal inputs. The table below provides an overview of the factory settings of the signal inputs:

Signal input	Signal input function
DI0	"Enable" Enable and disable the power stage
DI1	"Fault Reset" Resetting an error message
DI2	"Operating Mode Switch" See chapter Starting and Changing an Operating Mode (see page 270)
DI3	"Velocity Limitation" See chapter Limitation of the Velocity via Signal Inputs (see page 355)
DI4	"Zero Clamp" See chapter Zero Clamp (see page 359)
DI5	"Halt" See chapter Stop Movement with Halt (see page 351)

The factory settings of the signal inputs depend on the selected operating mode; they can be adapted, see chapter Digital Inputs and Outputs ([see page 221](#)).

In the case of fieldbus control mode, the operating mode is started via the fieldbus. See the fieldbus user guides for a description.

Status Messages

In local control mode, information on the operating state and the ongoing movement is available via signal outputs.

In fieldbus control mode, information on the operating state and the ongoing movement is available via the fieldbus and the signal outputs.

Descriptions on obtaining information on the operating state and the ongoing movement can be found in the fieldbus user guides.

The table below provides an overview of the signal outputs:

Signal output	Signal output function
DQ0	"No Fault" Signals the operating states 4 Ready To Switch On, 5 Switched On and 6 Operation Enabled
DQ1	"Active" Signals the operating state 6 Operation Enabled
DQ2	With local control mode: "In Velocity Deviation Window" See chapter Velocity Deviation Window (see page 397) With fieldbus control mode: "Freely Available" See chapter Setting a Signal Output via Parameter (see page 360)

The factory settings of the signal outputs depend on the selected control mode and the selected operating mode; they can be adapted, see chapter Digital Inputs and Outputs (*see page 221*).

Terminating the Operating Mode

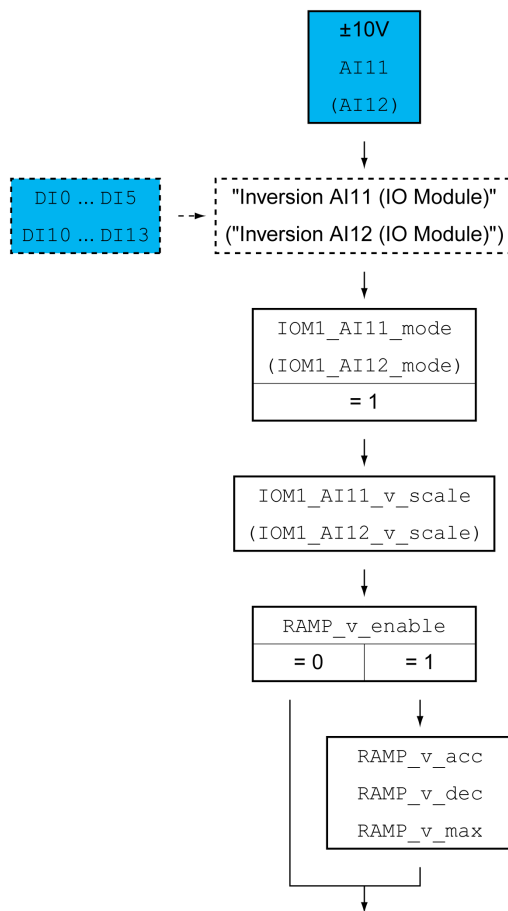
The operating mode is terminated when the motor is at a standstill and one of the following conditions is met:

- Stop caused by “Halt” or “Quick Stop”
- Stop caused by a detected error

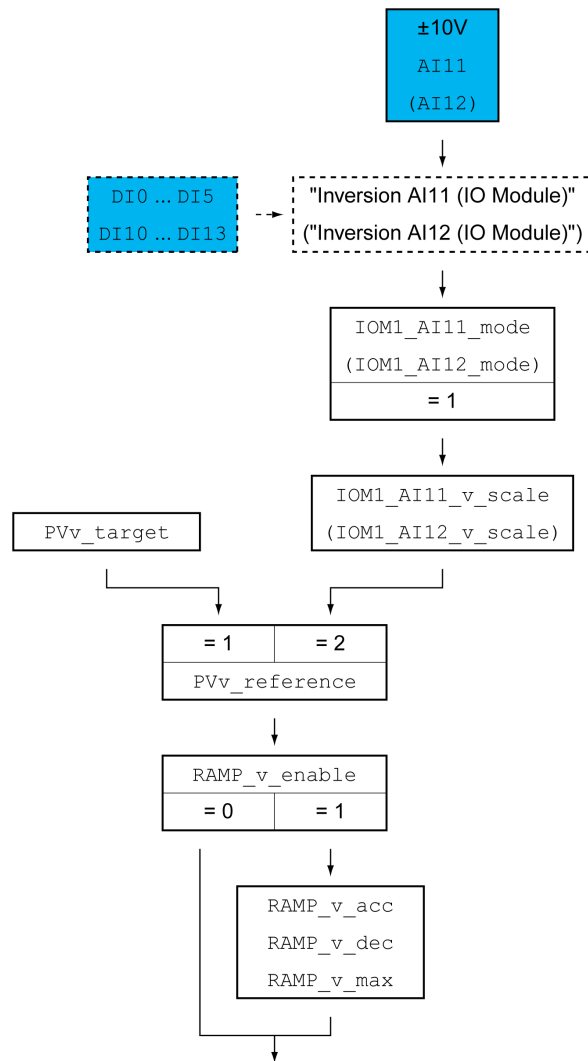
Parameterization

Overview

The illustration below provides an overview of the parameters that can be adjusted in local control mode.



The illustration below provides an overview of the parameters that can be adjusted in fieldbus control mode.



Setting the Type of Usage

In local control mode, the parameters `IOM1_AI11_mode` and `IOM1_AI12_mode` let you select the type of usage of the analog signal inputs.

- If you want to use the analog signal input `AI11`, set the parameter `IOM1_AI11_mode` to the value "Target Velocity".
If you want to use the analog signal input `AI12`, set the parameter `IOM1_AI12_mode` to the value "Target Velocity".

Parameter name HMI menu HMI name	Description	Unit Minimum value Factory setting Maximum value	Data type R/W Persistent Expert	Parameter address via fieldbus
IOM1_AI11_mode CONF → I - 0 - R I I u	IOM1 Type of usage of AI11. 0 / None / none : No function 1 / Target Velocity / SPd5 : Target velocity for the velocity controller 2 / Target Torque / Lr95 : Target torque for the current controller 3 / Velocity Limitation / LSPd : Limitation of the reference velocity for the velocity controller 4 / Current Limitation / Lcur : Limitation of the reference current for the current controller Setting can only be modified if power stage is disabled. Modified settings become active the next time the power stage is enabled. Available with firmware version ≥V01.06.	- 0 1 4	UINT16 R/W per. -	CANopen 304F:E _h Modbus 20252 Profibus 20252 CIP 179.1.14 ModbusTCP 20252 EtherCAT 304F:E _h PROFINET 20252
IOM1_AI12_mode CONF → I - 0 - R I 2 u	IOM1 Type of usage of AI12. 0 / None / none : No function 1 / Target Velocity / SPd5 : Target velocity for the velocity controller 2 / Target Torque / Lr95 : Target torque for the current controller 3 / Velocity Limitation / LSPd : Limitation of the reference velocity for the velocity controller 4 / Current Limitation / Lcur : Limitation of the reference current for the current controller Setting can only be modified if power stage is disabled. Modified settings become active the next time the power stage is enabled. Available with firmware version ≥V01.06.	- 0 0 4	UINT16 R/W per. -	CANopen 304F:13 _h Modbus 20262 Profibus 20262 CIP 179.1.19 ModbusTCP 20262 EtherCAT 304F:13 _h PROFINET 20262

Setting the Target Velocity

In local control mode, the parameters `IOM1_AI11_v_scale` and `IOM1_AI12_v_scale` are used to set the target velocity for a voltage value of 10 V.

- If you want to use the analog signal input AI11, use the parameter `IOM1_AI11_v_scale` to set the desired target velocity for a voltage value of 10 V.
If you want to use the analog signal input AI12, use the parameter `IOM1_AI12_v_scale` to set the desired target velocity for a voltage value of 10 V.

In fieldbus control mode, use the parameter `PVv_reference` to specify whether the target velocity is set via the parameter `PVv_target` or via an analog signal input.

- If you want to use the parameter `PVv_target`, set the parameter `PVv_reference` to the value "Parameter 'PVv_target'". Set the target velocity with the parameter `PVv_target`.
If you want to use the analog signal input AI11, set the parameter `PVv_reference` to the value "Analog Input". Set the desired target velocity for a voltage value of 10 V with the parameter `IOM1_AI11_v_scale`.
If you want to use the analog signal input AI12, set the parameter `PVv_reference` to the value "Analog Input". Set the desired target velocity for a voltage value of 10 V with the parameter `IOM1_AI12_v_scale`.

Parameter name HMI menu HMI name	Description	Unit Minimum value Factory setting Maximum value	Data type R/W Persistent Expert	Parameter address via fieldbus
PVv_reference	Reference value source for operating mode Profile Velocity. 0 / None: None 1 / Parameter 'PVv_target': Reference value via parameter PVv_target 2 / Analog Input: Reference value via analog input Modified settings become active immediately. Available with firmware version $\geq V01.10$.	- 0 1 2	UINT16 R/W - -	CANopen 301B:39 _h Modbus 7026 Profibus 7026 CIP 127.1.57 ModbusTCP 7026 EtherCAT 301B:39 _h PROFINET 7026
IOM1_AI11_v_scale	IOM1 Target velocity at 10 V in operating mode Profile Velocity of AI11. The maximum velocity is limited to the setting in CTRL_v_max. By using a negative sign, you can invert the evaluation of the analog signal. Modified settings become active immediately. Available with firmware version $\geq V01.06$.	usr_v -2147483648 6000 2147483647	INT32 R/W per. -	CANopen 304F:11 _h Modbus 20258 Profibus 20258 CIP 179.1.17 ModbusTCP 20258 EtherCAT 304F:11 _h PROFINET 20258
IOM1_AI12_v_scale	IOM1 Target velocity at 10 V in operating mode Profile Velocity of AI12. The maximum velocity is limited to the setting in CTRL_v_max. By using a negative sign, you can invert the evaluation of the analog signal. Modified settings become active immediately. Available with firmware version $\geq V01.06$.	usr_v -2147483648 6000 2147483647	INT32 R/W per. -	CANopen 304F:16 _h Modbus 20268 Profibus 20268 CIP 179.1.22 ModbusTCP 20268 EtherCAT 304F:16 _h PROFINET 20268
PVv_target	Target velocity. The target velocity is limited to the setting in CTRL_v_max and RAMP_v_max. Modified settings become active immediately.	usr_v - 0 -	INT32 R/W - -	CANopen 60FF:0 _h Modbus 6938 Profibus 6938 CIP 127.1.13 ModbusTCP 6938 EtherCAT 60FF:0 _h PROFINET 6938

Changing the Motion Profile for the Velocity

It is possible to change the parameterization of the Motion Profile for the Velocity (*see page 347*).

Additional Settings

The following functions can be used for target value processing:

- Chapter Stop Movement with Halt ([see page 351](#))
- Chapter Stop Movement with Quick Stop ([see page 352](#))
- Chapter Limitation of the Velocity via Signal Inputs ([see page 355](#))
- Chapter Limitation of the Current via Signal Inputs ([see page 357](#))
- Chapter Zero Clamp ([see page 359](#))
- Chapter Setting a Signal Output via Parameter ([see page 360](#))
- Chapter Position Capture via Signal Input (Vendor-Specific Profile) ([see page 362](#))
- Chapter Position Capture via Signal Input (DS402 Profile) ([see page 367](#))
- Chapter Relative Movement After Capture (RMAC) ([see page 371](#))

The following functions can be used for monitoring the movement:

- Chapter Limit Switches ([see page 377](#))
- Chapter Software Limit Switches ([see page 379](#))
- Chapter Motor Standstill and Direction of Movement ([see page 385](#))
- Chapter Velocity Window ([see page 387](#))
- Chapter Position Register ([see page 390](#))
- Chapter Velocity Deviation Window ([see page 397](#))
- Chapter Velocity Threshold Value ([see page 399](#))
- Chapter Current Threshold Value ([see page 400](#))

Section 7.7

Operating Mode Profile Position

What Is in This Section?

This section contains the following topics:

Topic	Page
Overview	309
Parameterization	311
Additional Settings	313

Overview

Availability

See chapter Control Mode (*see page 202*).

Description

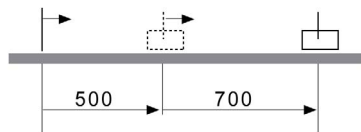
In the operating mode Profile Position, a movement to a desired target position is performed.

A movement can be made using one of 2 methods:

- Relative movement
- Absolute movement

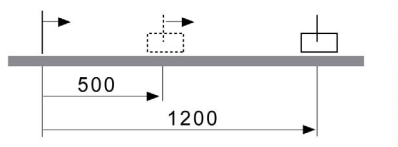
Relative Movement

In the case of a relative movement, the movement is relative with reference to the previous target position or the actual position of the motor.



Absolute Movement

In the case of an absolute movement, the movement is absolute with reference to the zero point.



A zero point must be defined with the operating mode Homing prior to the first absolute movement.

Starting the Operating Mode

The operating mode is started via the fieldbus. See the fieldbus user guides for a description.

Status Messages

Information on the operating state and the ongoing movement is available via the fieldbus and the signal outputs.

Descriptions on obtaining information on the operating state and the ongoing movement can be found in the fieldbus user guides.

The table below provides an overview of the signal outputs:

Signal output	Signal output function
DQ0	"No Fault" Signals the operating states 4 Ready To Switch On, 5 Switched On and 6 Operation Enabled
DQ1	"Active" Signals the operating state 6 Operation Enabled
DQ2	"Freely Available" See chapter Setting a Signal Output via Parameter (<i>see page 360</i>)

It is possible to change the factory settings of the signal outputs, see chapter Digital Inputs and Outputs (*see page 221*).

Terminating the Operating Mode

The operating mode is terminated when the motor is at a standstill and one of the following conditions is met:

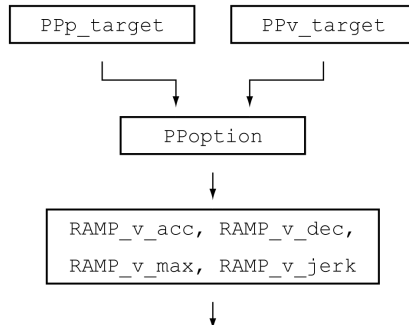
- Target position reached
- Stop caused by “Halt” or “Quick Stop”
- Stop caused by a detected error

Parameterization

Overview

The illustration below provides an overview of the adjustable parameters.

Overview of adjustable parameters



Target Position

The parameter `PPp_target` allows you to enter the target position.

- Set the desired target position with the parameter `PPp_target`.

Parameter name HMI menu HMI name	Description	Unit Minimum value Factory setting Maximum value	Data type R/W Persistent Expert	Parameter address via fieldbus
<code>PPp_target</code>	Target position for operating mode Profile Position. Minimum/maximum values depend on: - Scaling factor - Software limit switches (if they are activated) Modified settings become active immediately.	<code>usr_p</code> - - -	INT32 R/W - -	CANopen 607A:0 _h Modbus 6940 Profibus 6940 CIP 127.1.14 ModbusTCP 6940 EtherCAT 607A:0 _h PROFINET 6940

Target Velocity

The parameter `PPv_target` allows you to set the target velocity.

- Set the target velocity with the parameter `PPv_target`.

Parameter name HMI menu HMI name	Description	Unit Minimum value Factory setting Maximum value	Data type R/W Persistent Expert	Parameter address via fieldbus
<code>PPv_target</code>	Target velocity for operating mode Profile Position. The target velocity is limited to the setting in <code>CTRL_v_max</code> and <code>RAMP_v_max</code> . Modified settings become active the next time the motor moves.	<code>usr_v</code> 1 60 4294967295	UINT32 R/W - -	CANopen 6081:0 _h Modbus 6942 Profibus 6942 CIP 127.1.15 ModbusTCP 6942 EtherCAT 6081:0 _h PROFINET 6942

Selection of the Method

The parameter `PPoption` allows you to set the method for a relative movement.

- Set the desired method for a relative movement with the parameter `PPoption`.

Parameter name HMI menu HMI name	Description	Unit Minimum value Factory setting Maximum value	Data type R/W Persistent Expert	Parameter address via fieldbus
PPoption	Options for operating mode Profile Position. Determines the reference position for relative positioning: 0: Relative with reference to the previous target position of the profile generator 1: Not supported 2: Relative with reference to the actual position of the motor Modified settings become active the next time the motor moves.	- 0 0 2	UINT16 R/W - -	CANopen 60F2:0h Modbus 6960 Profibus 6960 CIP 127.1.24 ModbusTCP 6960 EtherCAT 60F2:0h PROFINET 6960

Changing the Motion Profile for the Velocity

It is possible to change the parameterization of the Motion Profile for the Velocity ([see page 347](#)).

Additional Settings

The following functions can be used for target value processing:

- Chapter Jerk Limitation ([see page 349](#))
- Chapter Stop Movement with Halt ([see page 351](#))
- Chapter Stop Movement with Quick Stop ([see page 352](#))
- Chapter Limitation of the Velocity via Signal Inputs ([see page 355](#))
- Chapter Limitation of the Current via Signal Inputs ([see page 357](#))
- Chapter Setting a Signal Output via Parameter ([see page 360](#))
- Chapter Starting a Movement via a Signal Input ([see page 361](#))
- Chapter Position Capture via Signal Input (Vendor-Specific Profile) ([see page 362](#))
- Chapter Position Capture via Signal Input (DS402 Profile) ([see page 367](#))
- Chapter Relative Movement After Capture (RMAC) ([see page 371](#))

The following functions can be used for monitoring the movement:

- Chapter Limit Switches ([see page 377](#))
- Chapter Software Limit Switches ([see page 379](#))
- Chapter Load-Dependent Position Deviation (Following Error) ([see page 381](#))
- Chapter Motor Standstill and Direction of Movement ([see page 385](#))
- Chapter Standstill Window ([see page 388](#))
- Chapter Position Register ([see page 390](#))
- Chapter Position Deviation Window ([see page 395](#))
- Chapter Velocity Deviation Window ([see page 397](#))
- Chapter Velocity Threshold Value ([see page 399](#))
- Chapter Current Threshold Value ([see page 400](#))

Section 7.8

Operating Mode Interpolated Position

What Is in This Section?

This section contains the following topics:

Topic	Page
Overview	315
Parameterization	317

Overview

Availability

See chapter Control Mode (*see page 202*).

Available with firmware version $\geq V01.08$.

The operating mode is only possible with the CAN fieldbus.

Description

In the operating mode Interpolated Position, movements are made to cyclically set reference positions.

The monitoring functions Heartbeat and Node Guarding cannot be used in this operating mode.

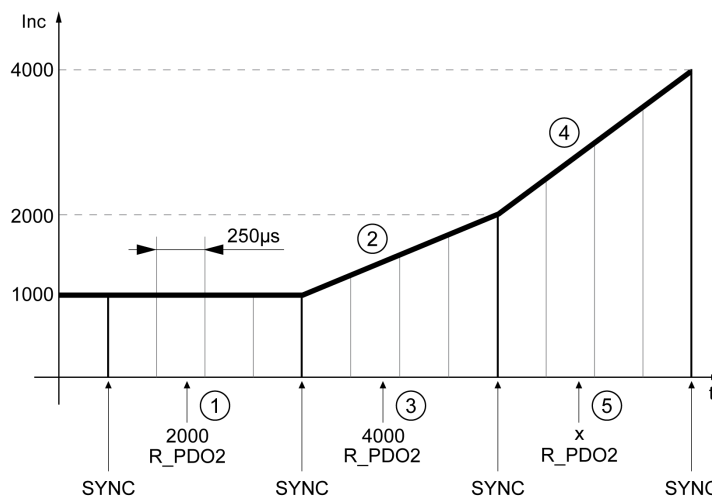
- Check cyclical reception of PDOs at the PLC in order to detect an interruption of the connection.

The reference positions are transmitted synchronously with each cycle. The cycle time of a cycle can be set from 1 ... 20 ms.

The movement to the reference positions starts with the SYNC signal.

The drive performs an internal fine interpolation with a raster of 250 μ s.

The illustration below provides an overview:



- 1 Transmission of first reference position (example)
- 2 Movement to first reference position
- 3 Transmission of second reference position (example)
- 4 Movement to second reference position
- 5 Transmission of next reference position (example)

Starting the Operating Mode

The operating mode is started via the fieldbus. See the fieldbus user guides for a description.

Status Messages

Information on the operating state and the ongoing movement is available via the fieldbus and the signal outputs.

Descriptions on obtaining information on the operating state and the ongoing movement can be found in the fieldbus user guides.

The table below provides an overview of the signal outputs:

Signal output	Signal output function
DQ0	"No Fault" Signals the operating states 4 Ready To Switch On, 5 Switched On and 6 Operation Enabled
DQ1	"Active" Signals the operating state 6 Operation Enabled

Signal output	Signal output function
DQ2	"Freely Available" See chapter Setting a Signal Output via Parameter (see page 360)

It is possible to change the factory settings of the signal outputs, see chapter Digital Inputs and Outputs ([see page 221](#)).

Terminating the Operating Mode

The operating mode is terminated via the fieldbus. See the fieldbus user guides for a description.

Parameterization

Synchronization Mechanism

The synchronization mechanism must be activated for the operating mode Interpolated Position.

The synchronization mechanism is activated via the parameter `SyncMechStart = 2`.

The parameter `SyncMechTol` is used to set a synchronization tolerance. The value of the parameter `SyncMechTol` is internally multiplied by 250 µs. For example, a value of 4 corresponds to a tolerance of 1 ms.

The status of the synchronizations mechanism can be read by means of the parameter `SyncMechStatus`.

- Activate the synchronization mechanism by means of the parameter `SyncMechStart`.

Parameter name HMI menu HMI name	Description	Unit Minimum value Factory setting Maximum value	Data type R/W Persistent Expert	Parameter address via fieldbus
<code>SyncMechStart</code>	<p>Activation of synchronization mechanism.</p> <p>Value 0: Deactivate synchronization mechanism</p> <p>Value 1: Activate synchronization mechanism (CANmotion).</p> <p>Value 2: Activate synchronization mechanism, standard CANopen mechanism.</p> <p>The cycle time of the synchronization signal is derived from the parameters <code>intTimPerVal</code> and <code>intTimInd</code>. Modified settings become active immediately.</p>	- 0 0 2	UINT16 R/W - -	CANopen 3022:5 _h Modbus 8714 Profibus 8714 CIP 134.1.5 ModbusTCP 8714 EtherCAT 3022:5 _h PROFINET 8714
<code>SyncMechTol</code>	<p>Synchronization tolerance.</p> <p>The value is applied when the synchronization mechanism is activated via the parameter <code>SyncMechStart</code>. Modified settings become active immediately. Available with firmware version ≥V01.08.</p>	- 1 1 20	UINT16 R/W - -	CANopen 3022:4 _h Modbus 8712 Profibus 8712 CIP 134.1.4 ModbusTCP 8712 EtherCAT 3022:4 _h PROFINET 8712
<code>SyncMechStatus</code>	<p>Status of synchronization mechanism.</p> <p>Status of synchronization mechanism:</p> <p>Value 1: Synchronization mechanism of drive is inactive.</p> <p>Value 32: Drive is synchronizing with external sync signal.</p> <p>Value 64: Drive is synchronized with external sync signal.</p> <p>Available with firmware version ≥V01.08.</p>	- - - -	UINT16 R/- - -	CANopen 3022:6 _h Modbus 8716 Profibus 8716 CIP 134.1.6 ModbusTCP 8716 EtherCAT 3022:6 _h PROFINET 8716

Cycle Time

The cycle time is set via the parameters `IP_IntTimPerVal` and `IP_IntTimInd`.

The cycle time depends on the following factors:

- Number of drives
- Baud rate
- Time of the minimum data packets per cycle:
 - SYNC
 - R_PDO2, T_PDO2
 - EMCY (This time must be reserved.)
- Optionally the time of the additional data packets per cycle:
 - R_SDO and T_SDO
The PLC must make sure that the number of requests (R_SDO) and the cycle time match. The response (T_SDO) is transmitted with the next cycle.
 - n_{PDO} - additional R_PDO and T_PDO:
R_PDO1, T_PDO1, R_PDO3, T_PDO3, R_PDO4 and T_PDO4

The table below shows the typical values for the individual data packets, depending on the baud rate:

Data packets	Size in bytes	1 Mbit	500 kbit	250 kbit
R_PDO2	6	0.114 ms	0.228 ms	0.456 ms
T_PDO2	6	0.114 ms	0.228 ms	0.456 ms
SYNC	0	0.067 ms	0.134 ms	0.268 ms
EMCY	8	0.130 ms	0.260 ms	0.520 ms
R_PDOx	8	0.130 ms	0.260 ms	0.520 ms
T_PDOx	8	0.130 ms	0.260 ms	0.520 ms
R_SDO and T_SDO	16	0.260 ms	0.520 ms	1.040 ms

In the case of one drive, the minimum cycle time is calculated as follows: $t_{\text{cycle}} = \text{SYNC} + \text{R_PDO2} + \text{T_PDO2} + \text{EMCY} + \text{SDO} + n_{\text{PDO}}$

The following table shows t_{cycle} depending on the baud rate and the number of additional PDOs n_{PDO} , based on one drive:

Number of additional PDOs (n_{PDO})	Minimum cycle time at 1 Mbit	Minimum cycle time at 500 kbit	Minimum cycle time at 250 kbit
0	1 ms	2 ms	3 ms
1	1 ms	2 ms	3 ms
2	1 ms	2 ms	4 ms
3	2 ms	2 ms	4 ms
4	2 ms	3 ms	5 ms
5	2 ms	3 ms	5 ms
6	2 ms	3 ms	6 ms

Cycle time in seconds: $\text{IP_IntTimPerVal} * 10^{\text{IP_IntTimInd}}$

- Set the desired cycle time with the parameters `IP_IntTimPerVal` and `IP_IntTimInd`. Valid cycle times are 1 ... 20 ms in increments of 1 ms.

Parameter name HMI menu HMI name	Description	Unit Minimum value Factory setting Maximum value	Data type R/W Persistent Expert	Parameter address via fieldbus
<code>IP_IntTimPerVal</code>	Interpolation time period value. Available with firmware version $\geq V01.08$. * Datatype for CANopen: UINT8	s 0 1 255	UINT16* R/W - -	CANopen 60C2:1 _h Modbus 7000 Profibus 7000 CIP 127.1.44 ModbusTCP 7000 EtherCAT 60C2:1 _h PROFINET 7000
<code>IP_IntTimInd</code>	Interpolation time index. Available with firmware version $\geq V01.08$. * Datatype for CANopen: INT8	- -128 -3 63	INT16* R/W - -	CANopen 60C2:2 _h Modbus 7002 Profibus 7002 CIP 127.1.45 ModbusTCP 7002 EtherCAT 60C2:2 _h PROFINET 7002

Position Comparison

The drive cyclically processes the reference position as soon as bit 4 of the control word is set to 1. If the difference between reference position and actual position is too great, this results in a following error. To help avoid such an error, the actual position must be read via the parameter `_p_act` before the operating mode is activated or continued. New reference positions must correspond to the actual position in the first cycle.

Parameter name HMI menu HMI name	Description	Unit Minimum value Factory setting Maximum value	Data type R/W Persistent Expert	Parameter address via fieldbus
_p_act	Actual position.	usr_p - - -	INT32 R/- - -	CANopen 6064:0 _h Modbus 7706 Profibus 7706 CIP 130.1.13 ModbusTCP 7706 EtherCAT 6064:0 _h PROFINET 7706

Reference Position

The parameter `IPp_target` cyclically transmits a reference value.

- Set the desired reference value with the parameter `IPp_target`.

Parameter name HMI menu HMI name	Description	Unit Minimum value Factory setting Maximum value	Data type R/W Persistent Expert	Parameter address via fieldbus
IPp_target	Position reference value for operating mode Interpolated Position. Available with firmware version \geq V01.08.	- -2147483648 - 2147483647	INT32 R/W - -	CANopen 60C1:1 _h Modbus 7004 Profibus 7004 CIP 127.1.46 ModbusTCP 7004 EtherCAT 60C1:1 _h PROFINET 7004

Section 7.9

Operating Mode Homing

What Is in This Section?

This section contains the following topics:

Topic	Page
Overview	321
Parameterization	323
Reference Movement to a Limit Switch	327
Reference Movement to the Reference Switch in Positive Direction	328
Reference Movement to the Reference Switch in Negative Direction	329
Reference Movement to the Index Pulse	330
Position Setting	331
Additional Settings	332

Overview

Availability

See chapter Control Mode (*see page 202*).

Description

In the operating mode Homing, a reference is generated between a mechanical position and the actual position of the motor.

A reference between a mechanical position and the actual position of the motor is generated by means of a reference movement or by means of position setting.

A successful reference movement or position setting homes the motor and the zero point becomes valid.

The zero point is the point of reference for absolute movements in the operating modes Profile Position and Motion Sequence.

Methods

A movement can be made using different methods:

- Reference movement to a limit switch
In the case of a reference movement to a limit switch, a movement to the negative limit switch or the positive limit switch is performed.
When the limit switch is reached, the motor is stopped and a movement is made back to the switching point of the limit switch.
From the switching point of the limit switch, a movement is made to the next index pulse of the motor or to a parameterizable distance from the switching point.
The position of the index pulse or the position of the parameterizable distance from the switching point is the reference point.
- Reference movement to the reference switch
In the case of a reference movement to the reference switch, a movement to the reference switch is performed.
When the reference switch is reached, the motor is stopped and a movement is made back to the switching point of the reference switch.
From the switching point of the reference switch, a movement is made to the next index pulse of the motor or to a parameterizable distance from the switching point.
The position of the index pulse or the position of the parameterizable distance from the switching point is the reference point.
- Reference movement to the index pulse
In the case of a reference movement to the index pulse, a movement is made from the actual position to the next index pulse. The position of the index pulse is the reference point.
- Position setting
In the case of position setting, the actual position of the motor is set to a desired position value.

A reference movement must be terminated without interruption for the new zero point to be valid. If the reference movement is interrupted, it must be started again.

Motors with multiturn encoder deliver a valid zero point after they are powered on.

Starting the Operating Mode

The operating mode is started via the fieldbus. See the fieldbus user guides for a description.

Status Messages

Information on the operating state and the ongoing movement is available via the fieldbus and the signal outputs.

Descriptions on obtaining information on the operating state and the ongoing movement can be found in the fieldbus user guides.

The table below provides an overview of the signal outputs:

Signal output	Signal output function
DQ0	"No Fault" Signals the operating states 4 Ready To Switch On, 5 Switched On and 6 Operation Enabled

Signal output	Signal output function
DQ1	"Active" Signals the operating state 6 Operation Enabled
DQ2	"Freely Available" See chapter Setting a Signal Output via Parameter (<i>see page 360</i>)

It is possible to change the factory settings of the signal outputs, see chapter Digital Inputs and Outputs (*see page 221*).

Terminating the Operating Mode

The operating mode is terminated when the motor is at a standstill and one of the following conditions is met:

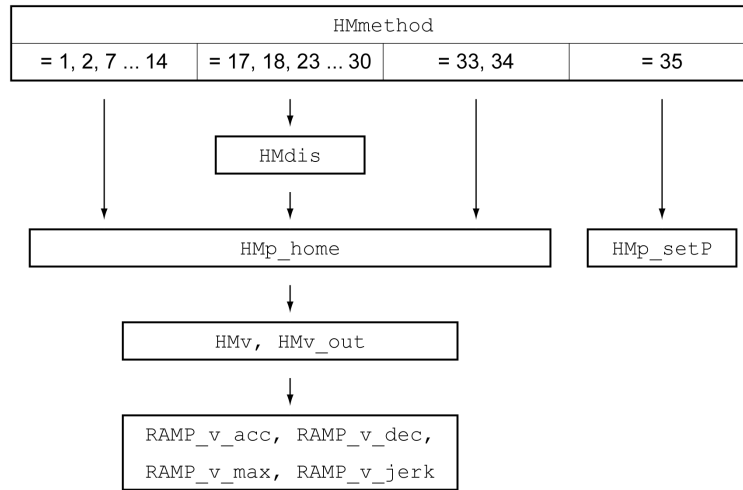
- Homing successful
- Stop caused by "Halt" or "Quick Stop"
- Stop caused by a detected error

Parameterization

Overview

The illustration below provides an overview of the adjustable parameters.

Overview of adjustable parameters



Setting Limit Switches and Reference Switches

The limit switches and reference switches must be set to meet the requirements, see chapter Limit Switches ([see page 377](#)) and chapter Reference Switch ([see page 378](#)).

Selection of the Method

The operating mode Homing establishes an absolute position reference between the motor position and a defined axis position. There are various Homing methods which can be selected via the parameter `HMmethod`.

The `HMprefmethod` parameter is used to save the preferred method to the nonvolatile memory (persistent). When the preferred method has been set in this parameter, the method is performed during homing even after the device is powered off and on. The value to be entered corresponds to the value in the `HMmethod` parameter.

Parameter name HMI menu HMI name	Description	Unit Minimum value Factory setting Maximum value	Data type R/W Persistent Expert	Parameter address via fieldbus
HMmethod	<p>Homing method.</p> <p>1: LIMN with index pulse 2: LIMP with index pulse 7: REF+ with index pulse, inv., outside 8: REF+ with index pulse, inv., inside 9: REF+ with index pulse, not inv., inside 10: REF+ with index pulse, not inv., outside 11: REF- with index pulse, inv., outside 12: REF- with index pulse, inv., inside 13: REF- with index pulse, not inv., inside 14: REF- with index pulse, not inv., outside 17: LIMN 18: LIMP 23: REF+, inv., outside 24: REF+, inv., inside 25: REF+, not inv., inside 26: REF+, not inv., outside 27: REF-, inv., outside 28: REF-, inv., inside 29: REF-, not inv., inside 30: REF-, not inv., outside 33: Index pulse neg. direction 34: Index pulse pos. direction 35: Position setting</p> <p>Abbreviations: REF+: Search movement in pos. direction REF-: Search movement in neg. direction inv.: Invert direction in switch not inv.: Direction not inverted in switch outside: Index pulse / distance outside switch inside: Index pulse / distance inside switch Modified settings become active immediately. * Datatype for CANopen: INT8</p>	- 1 18 35	INT16* R/W - -	CANopen 6098:0 _h Modbus 6936 Profibus 6936 CIP 127.1.12 ModbusTCP 6936 EtherCAT 6098:0 _h PROFINET 6936
HMprefmethod oP → h o Π - Π E E h	<p>Preferred homing method. Modified settings become active immediately.</p>	- 1 18 35	INT16 R/W per. -	CANopen 3028:A _h Modbus 10260 Profibus 10260 CIP 140.1.10 ModbusTCP 10260 EtherCAT 3028:A _h PROFINET 10260

Setting the Distance From the Switching Point

A distance to the switching point of the limit switch or the reference switch must be parameterized for a reference movement with index pulse. The parameter `HMdis` lets you set the distance to the switching limit switch or the reference switch.

Parameter name HMI menu HMI name	Description	Unit Minimum value Factory setting Maximum value	Data type R/W Persistent Expert	Parameter address via fieldbus
HMdis	<p>Distance from switching point. The distance from the switching point is defined as the reference point.</p> <p>The parameter is only effective during a reference movement without index pulse. Modified settings become active the next time the motor moves.</p>	usr_p 1 200 2147483647	INT32 R/W per. -	CANopen 3028:7 _h Modbus 10254 Profibus 10254 CIP 140.1.7 ModbusTCP 10254 EtherCAT 3028:7 _h PROFINET 10254

Defining the Zero Point

The parameter `HMp_home` is used to specify a desired position value, which is set at the reference point after a successful reference movement. The desired position value at the reference point defines the zero point.

If the value 0 is used, the zero point corresponds to the reference point.

Parameter name HMI menu HMI name	Description	Unit Minimum value Factory setting Maximum value	Data type R/W Persistent Expert	Parameter address via fieldbus
HMp_home	Position at reference point. After a successful reference movement, this position is automatically set at the reference point. Modified settings become active the next time the motor moves.	usr_p -2147483648 0 2147483647	INT32 R/W per. -	CANopen 3028:B _h Modbus 10262 Profibus 10262 CIP 140.1.11 ModbusTCP 10262 EtherCAT 3028:B _h PROFINET 10262

Setting Monitoring

The parameters `HMoutdis` and `HMsrchdis` allow you to activate monitoring of the limit switches and the reference switch.

Parameter name HMI menu HMI name	Description	Unit Minimum value Factory setting Maximum value	Data type R/W Persistent Expert	Parameter address via fieldbus
HMoutdis	Maximum distance for search for switching point. 0: Monitoring of distance inactive >0: Maximum distance After detection of the switch, the drive starts to search for the defined switching point. If the defined switching point is not found within the distance defined here, the reference movement is canceled and an error is detected. Modified settings become active the next time the motor moves.	usr_p 0 0 2147483647	INT32 R/W per. -	CANopen 3028:6 _h Modbus 10252 Profibus 10252 CIP 140.1.6 ModbusTCP 10252 EtherCAT 3028:6 _h PROFINET 10252
HMsrchdis	Maximum search distance after overtravel of switch. 0: Search distance monitoring disabled >0: Search distance The switch must be activated again within this search distance, otherwise the reference movement is canceled. Modified settings become active the next time the motor moves.	usr_p 0 0 2147483647	INT32 R/W per. -	CANopen 3028:D _h Modbus 10266 Profibus 10266 CIP 140.1.13 ModbusTCP 10266 EtherCAT 3028:D _h PROFINET 10266

Reading out the Position Distance

The position distance between the switching point and index pulse can be read out with the following parameter.

The distance between the switching point and the index pulse must be >0.05 revolutions for reproducible reference movements with index pulse.

If the index pulse is too close to the switching point, the limit switch or reference switch can be moved mechanically.

Otherwise the position of the index pulse can be moved with the parameter `ENC_pabsusr`, see Chapter Setting Parameters for Encoder (*see page 171*).

Parameter name HMI menu HMI name	Description	Unit Minimum value Factory setting Maximum value	Data type R/W Persistent Expert	Parameter address via fieldbus
_HMdisREFtoIDX_us r	Distance from switching point to index pulse. Allows you to verify the distance between the index pulse and the switching point and serves as a criterion for determining whether the reference movement with index pulse can be reproduced. Available with firmware version \geq V01.03.	usr_p -2147483648 - 2147483647	INT32 R/- - -	CANopen 3028:F _h Modbus 10270 Profibus 10270 CIP 140.1.15 ModbusTCP 10270 EtherCAT 3028:F _h PROFINET 10270

Setting Velocities

The parameters `HMv` and `HMv_out` are used to set the velocities for searching the switch and for moving away from the switch.

Parameter name HMI menu HMI name	Description	Unit Minimum value Factory setting Maximum value	Data type R/W Persistent Expert	Parameter address via fieldbus
HMv o P → h o Π - h Π n	Target velocity for searching the switch. The adjustable value is internally limited to the parameter setting in <code>RAMP_v_max</code> . Modified settings become active the next time the motor moves.	usr_v 1 60 2147483647	UINT32 R/W per. -	CANopen 6099:1 _h Modbus 10248 Profibus 10248 CIP 140.1.4 ModbusTCP 10248 EtherCAT 6099:1 _h PROFINET 10248
HMv_out	Target velocity for moving away from switch. The adjustable value is internally limited to the parameter setting in <code>RAMP_v_max</code> . Modified settings become active the next time the motor moves.	usr_v 1 6 2147483647	UINT32 R/W per. -	CANopen 6099:2 _h Modbus 10250 Profibus 10250 CIP 140.1.5 ModbusTCP 10250 EtherCAT 6099:2 _h PROFINET 10250

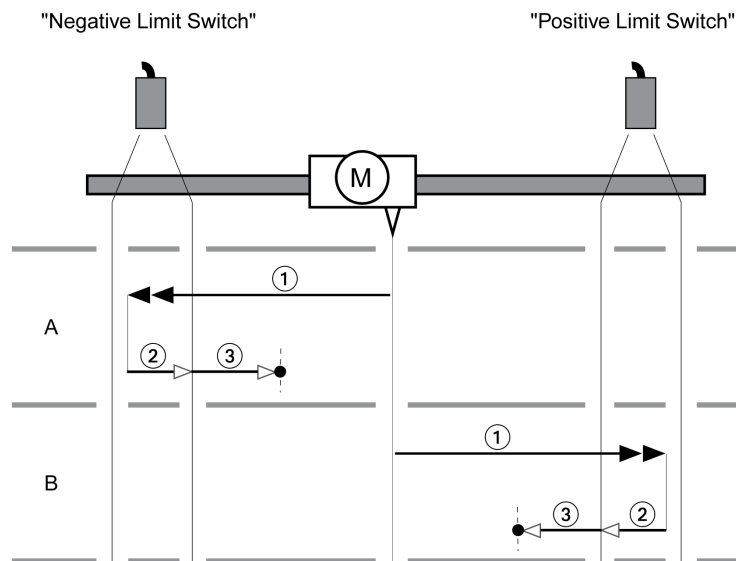
Changing the Motion Profile for the Velocity

It is possible to change the parameterization of the Motion Profile for the Velocity (*see page 347*).

Reference Movement to a Limit Switch

The illustration below shows a reference movement to a limit switch

Reference movement to a limit switch



- 1 Movement to limit switch at velocity HMv
- 2 Movement to the switching point of the limit switch at velocity HMv_{out}
- 3 Movement to index pulse or movement to a distance from the switching point at velocity HMv_{out}

Type A

Method 1: Movement to the index pulse.

Method 17: Movement to distance from switching point.

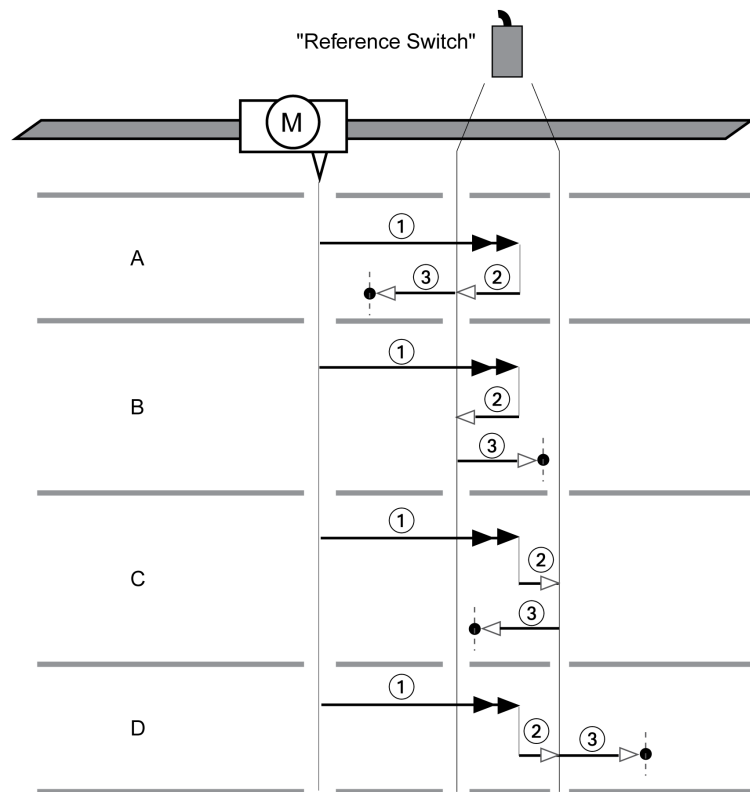
Type B

Method 2: Movement to the index pulse.

Method 18: Movement to distance from switching point.

Reference Movement to the Reference Switch in Positive Direction

The illustration below shows a reference movement to the reference switch in positive direction
Reference movement to the reference switch in positive direction



- 1 Movement to reference switch at velocity HMv
- 2 Movement to the switching point of the reference switch at velocity HMv_{out}
- 3 Movement to index pulse or movement to a distance from the switching point at velocity HMv_{out}

Type A

Method 7: Movement to the index pulse.

Method 23: Movement to distance from switching point.

Type B

Method 8: Movement to the index pulse.

Method 24: Movement to distance from switching point.

Type C

Method 9: Movement to the index pulse.

Method 25: Movement to distance from switching point.

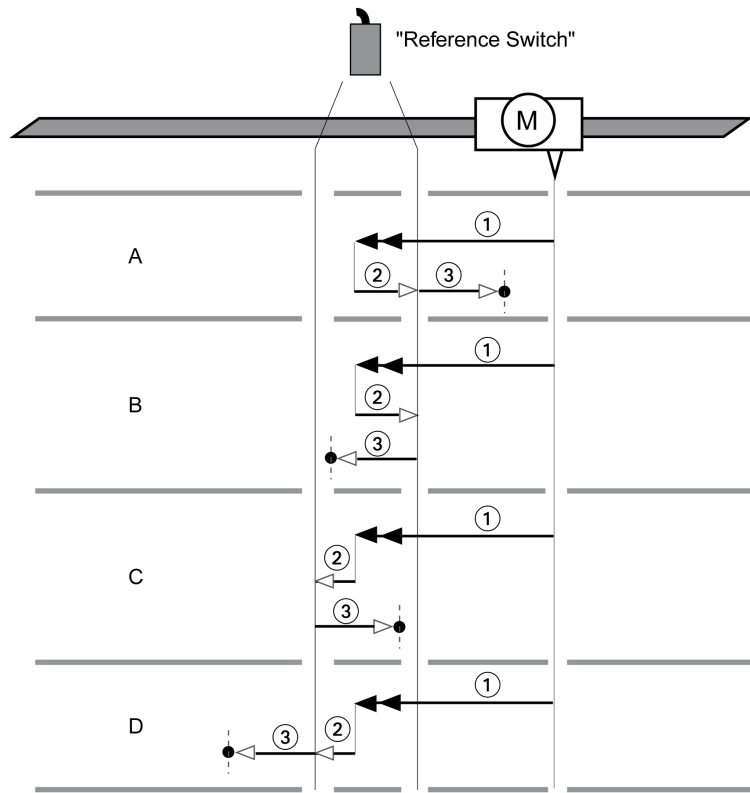
Type D

Method 10: Movement to the index pulse.

Method 26: Movement to distance from switching point.

Reference Movement to the Reference Switch in Negative Direction

The illustration below shows a reference movement to the reference switch in negative direction
Reference movement to the reference switch in negative direction



- 1 Movement to reference switch at velocity HMv
- 2 Movement to the switching point of the reference switch at velocity HMv_{out}
- 3 Movement to index pulse or movement to a distance from the switching point at velocity HMv_{out}

Type A

Method 11: Movement to the index pulse.

Method 27: Movement to distance from switching point.

Type B

Method 12: Movement to the index pulse.

Method 28: Movement to distance from switching point.

Type C

Method 13: Movement to the index pulse.

Method 29: Movement to distance from switching point.

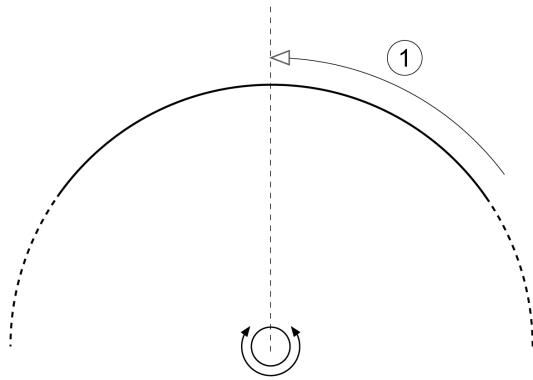
Type D

Method 14: Movement to the index pulse.

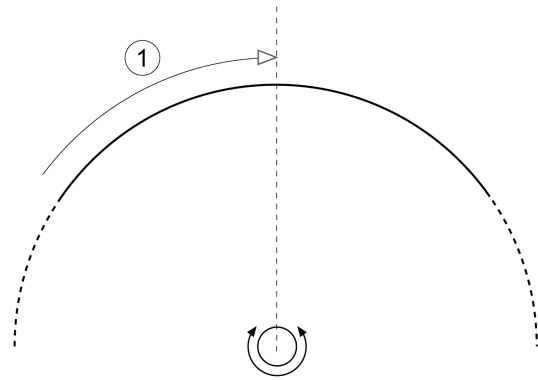
Method 30: Movement to distance from switching point.

Reference Movement to the Index Pulse

The illustration below shows a reference movement to the index pulse
Reference movement to the index pulse



HMmethod = 33



HMmethod = 34

1 Movement to index pulse at velocity HMv_{out}

Position Setting

Description

By means of position setting, the actual position of the motor is set to the position value in parameter `HMp_setP`. This also defines the zero point.

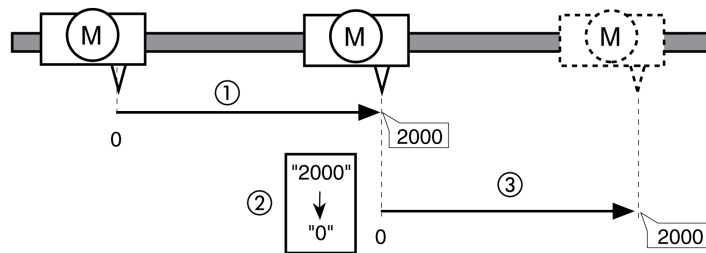
Position setting is only possible when the motor is at a standstill. Any active position deviation remains active and can still be compensated for by the position controller after position setting.

Setting the Position for Position Setting

Parameter name HMI menu HMI name	Description	Unit Minimum value Factory setting Maximum value	Data type R/W Persistent Expert	Parameter address via fieldbus
<code>HMp_setP</code>	Position for Position Setting. Position for operating mode Homing, method 35. Modified settings become active immediately.	<code>usr_p</code> - 0 -	INT32 R/W - -	CANopen 301B:16 _h Modbus 6956 Profibus 6956 CIP 127.1.22 ModbusTCP 6956 EtherCAT 301B:16 _h PROFINET 6956

Example

Movement by 4000 user-defined units with position setting



- 1 The motor is positioned by 2000 user-defined units.
- 2 By means of position setting to 0, the actual position of the motor is set to position value 0 which, at the same time, defines a new zero point.
- 3 When a new movement by 2000 user-defined units is triggered, the new target position is 2000 user-defined units.

Additional Settings

The following functions can be used for target value processing:

- Chapter Jerk Limitation ([see page 349](#))
- Chapter Stop Movement with Halt ([see page 351](#))
- Chapter Stop Movement with Quick Stop ([see page 352](#))
- Chapter Limitation of the Velocity via Signal Inputs ([see page 355](#))
- Chapter Limitation of the Current via Signal Inputs ([see page 357](#))
- Chapter Setting a Signal Output via Parameter ([see page 360](#))
- Chapter Position Capture via Signal Input (Vendor-Specific Profile) ([see page 362](#))
- Chapter Position Capture via Signal Input (DS402 Profile) ([see page 367](#))

The following functions can be used for monitoring the movement:

- Chapter Limit Switches ([see page 377](#))
- Chapter Reference Switch ([see page 378](#))
- Chapter Software Limit Switches ([see page 379](#))
- Chapter Load-Dependent Position Deviation (Following Error) ([see page 381](#))
- Chapter Motor Standstill and Direction of Movement ([see page 385](#))
- Chapter Standstill Window ([see page 388](#))
- Chapter Position Register ([see page 390](#))
- Chapter Position Deviation Window ([see page 395](#))
- Chapter Velocity Deviation Window ([see page 397](#))
- Chapter Velocity Threshold Value ([see page 399](#))
- Chapter Current Threshold Value ([see page 400](#))

Section 7.10

Operating Mode Motion Sequence

What Is in This Section?

This section contains the following topics:

Topic	Page
Overview	334
Start of a Data Set with Sequence	336
Start of a Data Set without Sequence	338
Structure of a Data Set	339
Error Diagnostics	343
Additional Settings	344

Overview

Availability

Available with firmware version $\geq V01.01$.

Description

In the operating mode Motion Sequence, movements are started via parameterizable data sets.

A parameterizable data set contains settings on the type of movement (data set type) and the appropriate target values (such as the target velocity and target position).

In addition, you can specify in a data set that a subsequent data set is to be started once the movement has been terminated. You can also define a transition condition for starting the subsequent data set.

The data sets are parameterized via the commissioning software.

Sequence

A data set can be started in two different ways:

- Start of a data set with sequence:
The set data set is started.
If a subsequent data set has been defined in the data set, the subsequent data set is started once the movement has been terminated.
If a transition condition has been defined, the subsequent data set is started once the transition condition is met.
- Start of a data set without sequence:
The set data set is started.
If a subsequent data set has been defined in the data set, the subsequent data set is not started when the movement has been terminated.

Data Set Types

The following data set types are available:

- Movement to a specific position value (absolute movement, additive movement or relative movement)
- Movement at a specific velocity
- Homing the motor (reference movement or position setting)
- Repetition of a given sequence (1 ... 65535)

The following types of data set types are available with firmware version $\geq V01.09$:

- Movement synchronized with external reference value signals (Electronic Gear)
- Write parameter with desired value

Number of Data Sets

The number of data sets depends on the hardware version:

- With hardware version $\geq RS03$: 128 data sets
- With hardware version $< RS03$: 32 data sets

Control Mode

In local control mode, a movement is started via the digital signal inputs.

In fieldbus control mode, a movement is started via the fieldbus.

See chapter Control Mode (*see page 202*) for information on setting the control mode.

Starting the Operating Mode

In local control mode, the operating mode must first have been selected, see chapter Starting and Changing an Operating Mode (*see page 270*). After the power stage is enabled, the operating mode is started automatically.

The power stage is enabled via the signal inputs. The table below provides an overview of the factory settings of the signal inputs:

Signal input	Signal input function
DIO	"Enable" Enable and disable the power stage

Signal input	Signal input function
DI1	"Reference Switch (REF)" See chapter Reference Switch (see page 378)
DI2	"Positive Limit Switch (LIMP)" See chapter Limit Switches (see page 377)
DI3	"Negative Limit Switch (LIMN)" See chapter Limit Switches (see page 377)
DI4	"Start Motion Sequence" Start sequence
DI5	"Data Set Select" Select data set number

The factory settings of the signal inputs depend on the selected operating mode; they can be adapted, see chapter Digital Inputs and Outputs ([see page 221](#)).

In fieldbus control mode, the operating mode is started via the fieldbus. See the fieldbus user guides for a description.

Terminating the Operating Mode

In local control mode, the operating mode is automatically terminated by disabling the power stage.

In fieldbus control mode, the operating mode is terminated via the fieldbus. See the fieldbus user guides for a description.

Status Messages

In local control mode, information on the operating state and the ongoing movement is available via signal outputs.

In fieldbus control mode, information on the operating state and the ongoing movement is available via the fieldbus and the signal outputs.

Descriptions on obtaining information on the operating state and the ongoing movement can be found in the fieldbus user guides.

The table below provides an overview of the signal outputs:

Signal output	Signal output function
DQ0	With local control mode: "Motion Sequence: Done" Signals the end of a sequence. With fieldbus control mode: "No Fault" Signals the operating states 4 Ready To Switch On, 5 Switched On and 6 Operation Enabled
DQ1	"Active" Signals the operating state 6 Operation Enabled
DQ2	With local control mode: "Motion Sequence: Start Acknowledge" Signals that the system is waiting for a transition condition to be met. With fieldbus control mode: "Freely Available" See chapter Setting a Signal Output via Parameter (see page 360)

The factory settings of the signal outputs depend on the selected control mode and the selected operating mode; they can be adapted, see chapter Digital Inputs and Outputs ([see page 221](#)).

Start of a Data Set with Sequence

Description

The set data set is started.

If a subsequent data set has been defined in the data set, the subsequent data set is started once the movement has been terminated.

If a transition condition has been defined, the subsequent data set is started once the transition condition is met.

Signal Input Functions

In local control mode, the following signal input functions are required to start a data set with sequence:

Signal input function	Description
"Start Motion Sequence" Factory setting for DI4	Start of a data set with sequence. A data set is set via the signal input functions "Data Set Bit 0" to "Data Set Bit x" and confirmed with the signal input function "Data Set Select".
"Data Set Select" Factory setting for DI5	The signal input function "Data Set Select" is used to confirmed the set data set. If the signal input functions "Data Set Bit 0" to "Data Set Bit x" are not set to any of the signal inputs, data set 0 is confirmed with the signal input function "Data Set Select".
"Data Set Bit 0" to "Data Set Bit x" Adjustable for signal inputs DI0 ... DI5	The signal input functions "Data Set Bit 0" to "Data Set Bit x" are used to set a data set in a bit-coded way. The set data set must be confirmed with the signal input function "Data Set Select".

Start Condition

A start condition is defined for starting a data set with sequence. The start conditions can be set with the parameter `MSM_CondSequ`.

- Set the desired start condition for the start of a data set with sequence with the parameter `MSM_CondSequ`.

Parameter name HMI menu HMI name	Description	Unit Minimum value Factory setting Maximum value	Data type R/W Persistent Expert	Parameter address via fieldbus
<code>MSM_CondSequ</code>	Start condition for the start of a sequence via a signal input. 0 / Rising Edge: Rising edge 1 / Falling Edge: Falling edge 2 / 1-level: 1 level 3 / 0-level: 0 level The start condition defines the way the start request is to be processed. This setting is used for the first start after activation of the operating mode. Modified settings become active the next time the motor moves.	- 0 0 3	UINT16 R/W per. -	CANopen 302D:8 _h Modbus 11536 Profibus 11536 CIP 145.1.8 ModbusTCP 11536 EtherCAT 302D:8 _h PROFINET 11536

End of a Sequence

With firmware version $\geq V01.09$ you can parameterize whether the set data set is to be confirmed at the end of a sequence.

- Set the type of confirmation with the `MSMendNumSequence` parameter.

Parameter name HMI menu HMI name	Description	Unit Minimum value Factory setting Maximum value	Data type R/W Persistent Expert	Parameter address via fieldbus
MSMendNumSequence	<p>Selection of the data set number after the end of a sequence.</p> <p>0 / DataSetSelect: Data set is set via the signal input function "Data Set Select"</p> <p>1 / Automatic: Data set is set automatically</p> <p>Value 0: After the end of a sequence, the selected data set must be set via the signal input function "Data Set Select".</p> <p>Value 1: After the end of a sequence, the selected data set is set automatically.</p> <p>Setting can only be modified if power stage is disabled.</p> <p>Modified settings become active immediately.</p> <p>Available with firmware version $\geq V01.09$.</p>	- 0 0 1	UINT16 R/W per. -	CANopen 302D:9 _h Modbus 11538 Profibus 11538 CIP 145.1.9 ModbusTCP 11538 EtherCAT 302D:9 _h PROFINET 11538

Start of a Data Set without Sequence

Description

The set data set is started.

If a subsequent data set has been defined in the data set, the subsequent data set is not started when the movement has been terminated.

Signal Input Functions

In local control mode, the following signal input functions are required to start a data set without sequence:

Signal input function	Description
"Start Single Data Set" The signal input function must be set.	The set data set is started without a sequence via a rising edge. A data set is set via the signal input functions "Data Set Bit 0" to "Data Set Bit x".
"Data Set Bit 0" to "Data Set Bit x" Adjustable for signal inputs DI0 ... DI5	The signal input functions "Data Set Bit 0" to "Data Set Bit x" are used to set a data set in a bit-coded way. The set data set is immediately confirmed; it does not need to be confirmed with the signal input function "Data Set Select".

Setting the Start Signal

With firmware version $\geq V01.09$, you can parameterize whether a movement can be aborted via a rising edge at the signal input.

The parameter `MSMstartSignal` lets you set the behavior of the start signal.

Parameter name HMI menu HMI name	Description	Unit Minimum value Factory setting Maximum value	Data type R/W Persistent Expert	Parameter address via fieldbus
<code>MSMstartSignal</code>	Response to falling edge at signal input for 'Start Signal Data Set'. 0 / No Reaction: No response 1 / Cancel Movement: Cancel active movement Setting can only be modified if power stage is disabled. Modified settings become active immediately. Available with firmware version $\geq V01.09$.	- 0 0 1	UINT16 R/W per. -	CANopen 302D:C _h Modbus 11544 Profibus 11544 CIP 145.1.12 ModbusTCP 11544 EtherCAT 302D:C _h PROFINET 11544

Structure of a Data Set

Data Set Type, Settings and Type of Transition

Structure of a data set

Data set type	Setting A	Setting B	Setting C	Setting D	Transition type
---------------	-----------	-----------	-----------	-----------	-----------------

Data set type	Setting A	Setting B	Setting C	Setting D	Transition type
"Move Absolute" Movement to an absolute position value	Acceleration Unit: usr_a	Velocity Unit: usr_v	Absolute target position Unit: usr_p	Deceleration Unit: usr_a	<ul style="list-style-type: none"> ● No Transition ● Abort And Go Next ● Buffer And Start Next ● Blending Previous ● Blending Next
"Move Additive" Movement that is added to target position	Acceleration Unit: usr_a	Velocity Unit: usr_v	Added target position Unit: usr_p	Deceleration Unit: usr_a	<ul style="list-style-type: none"> ● No Transition ● Abort And Go Next ● Buffer And Start Next
"Reference Movement" Reference movement ⁽¹⁾	Homing method Like parameter HMmethod	Desired position value at reference point Unit: usr_p	-	-	<ul style="list-style-type: none"> ● No Transition ● Buffer And Start Next
"Position Setting" Position setting	Position for Position Setting Unit: usr_p	-	-	-	<ul style="list-style-type: none"> ● No Transition ● Buffer And Start Next
"Repeat" Repeat part of a sequence	Number of repetitions (1 ... 65535)	Number of the data set at which the repetition is to be started	-	-	<ul style="list-style-type: none"> ● No Transition ● Buffer And Start Next
"Move Relative" Movement relative with reference to actual position	Acceleration Unit: usr_a	Velocity Unit: usr_v	Relative target position Unit: usr_p	Deceleration Unit: usr_a	<ul style="list-style-type: none"> ● No Transition ● Abort And Go Next ● Buffer And Start Next
"Move Velocity" Movement at a specific velocity	Acceleration ⁽²⁾ Unit: usr_a	Velocity Unit: usr_v	Direction of movement Value 0: Positive Value 1: Negative Value 2: From previous data set	Deceleration ⁽²⁾ Unit: usr_a	<ul style="list-style-type: none"> ● Abort And Go Next

(1) Function principle like operating mode Homing.
(2) The motion profile for velocity must have been activated see parameter RAMP_v_enable in chapter Motion Profile for the Velocity (see page 347).

The following data set types are available with firmware version $\geq V01.09$:

Data set type	Setting A	Setting B	Setting C	Setting D	Transition type
"Gear" Electronic Gear ⁽¹⁾	Method Value 0: No synchronization Value 1: Position synchronization without compensation movement Value 2: Position synchronization with compensation movement Value 3: Velocity synchronization	Numerator of gear ratio Like parameter GEARnum	Denominator of gear ratio Like parameter GEARdenom	Acceleration and deceleration for velocity synchronization ⁽²⁾⁽³⁾⁽⁴⁾ Unit: usr_a	<ul style="list-style-type: none"> ● Abort And Go Next
"Write Parameter" Write parameter directly	Modbus address of the parameter The parameters of the safety module eSM and the following parameters cannot be written directly: AccessLock AT_start DCOMopmode GEARreference JOGactivate OFSp_rel PAR_CTRLreset PAR_ScalingStart PAReeprSave PARuserReset PTtq_reference PTtq_target PVv_reference PVv_target	Value of the parameter (Values greater than 2147483647 must be entered as negative values.)	-	-	<ul style="list-style-type: none"> ● No Transition ● Buffer And Start Next

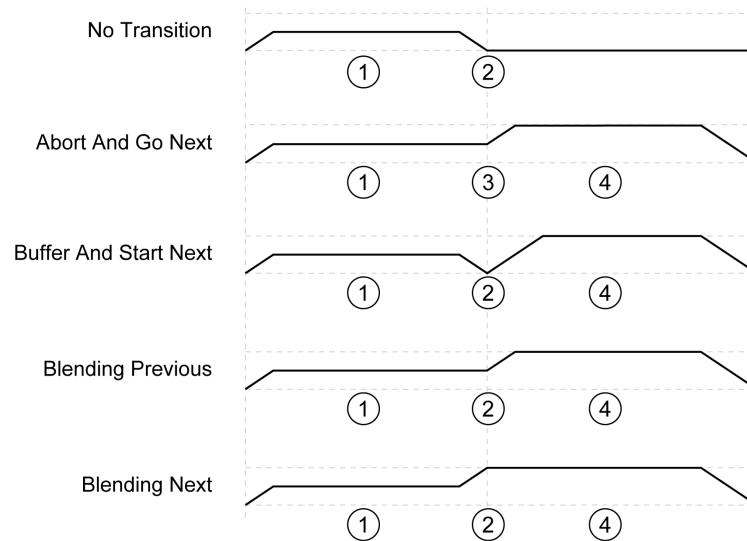
(1) Function principle like operating mode Electronic Gear.
 (2) Available with firmware version $\geq V01.20$.
 (3) Value 0 means that the values for acceleration and deceleration are taken from the previous data set.
 (4) The motion profile for velocity must have been activated see parameter `RAMP_v_enable` in chapter Motion Profile for the Velocity ([see page 347](#)).

Transition Type

Transition type is used to set the type of transition to the subsequent data set. The following types of transitions are possible:

- No Transition
No further data set is started upon successful completion of the movement (end of sequence).
- Abort And Go Next
If the transition condition is met, the current movement is aborted and the subsequent data set started. The transition conditions are considered for the transition.
- Buffer And Start Next
Upon successful completion of the movement and if the transition condition is met, the subsequent data set is started. The transition conditions are considered for the transition.
- Blending Previous / Blending Next (data set type Move Absolute only)
The velocity is adapted to the velocity of the subsequent data set until the target position is reached or when it has been reached. The transition is performed without consideration of the transition conditions.

Transition type



- 1 First data set.
- 2 Target position of first data set reached.
- 3 Transition condition met, the first data set is terminated and the next data set is started.
- 4 Next data set.

Subsequent Data Set and Transition Conditions

Structure of a data set

Subsequent data set	Transition condition 1	Transition value 1	Logical operator	Transition condition 2	Transition value 2
---------------------	------------------------	--------------------	------------------	------------------------	--------------------

Subsequent Data Set

Subsequent data set defines the data set to be started next.

Transition Condition 1

Transition condition 1 is used to set the first transition condition. The following transition conditions are possible:

- Continue Without Condition
No condition for a transition. The subsequent data set is started directly. Any second transition condition is without effect.
- Wait Time
The condition for a transition is a waiting time.
- Start Request Edge
The condition for a transition is an edge at the signal input.
- Start Request Level
The condition for a transition is a level at the signal input.

Transition Value 1

Transition value 1 is used to set the value for the first transition condition. The meaning depends on the selected transition condition.

- In the case of transition condition Continue Without Condition
 - No meaning
- In the case of transition condition Waiting Time
 - Value 0 ... 30000: Waiting time of 0 ... 30000 ms
- In the case of transition condition Start Request Edge

- 0: CCLR is triggered by rising-edge
- Value 1: Falling edge
- Value 4: Rising or falling edge
- In the case of transition condition Start Request Level
 - Value 2: 1 level
 - Value 3: 0 level

Logical Operator

Logical operator is used to logically link transition condition 1 and transition condition 2. The following logical operators are available:

- None
 - No operator (transition condition 2 has no effect)
- AND
 - Logical AND
- OR
 - Logical OR

Transition Condition 2

Transition condition 2 is used to set the second transition condition. The following transition conditions are possible:

- Continue Without Condition
 - No condition for a transition. The subsequent data set is started directly.
- Start Request Edge
 - The condition for a transition is an edge at the signal input.
 - If an And is used to logically link an edge and a waiting time, the edge is not evaluated until the waiting time has elapsed.
- Start Request Level
 - The condition for a transition is a level at the signal input.

Transition Value 2

Transition value 2 is used to set the value for the second transition condition. The meaning depends on the selected transition condition.

- In the case of transition condition Continue Without Condition
 - No meaning
- In the case of transition condition Start Request Edge
 - 0: CCLR is triggered by rising-edge
 - Value 1: Falling edge
 - Value 4: Rising or falling edge
- In the case of transition condition Start Request Level
 - Value 2: 1 level
 - Value 3: 0 level

Error Diagnostics

Plausibility Check

The fields of a data set are verified for plausibility when the data set is started. If an error is detected in a data set, the parameters `_MSM_error_num` and `_MSM_error_field` provide information on the data set number and the data set field containing the error.

Parameter name HMI menu HMI name	Description	Unit Minimum value Factory setting Maximum value	Data type R/W Persistent Expert	Parameter address via fieldbus
<code>_MSM_error_num</code>	Number of the data set in which an error has been detected. Value -1: No error Values 0 ... 127: Number of the data set in which an error has been detected. Modified settings become active immediately. Available with firmware version \geq V01.09.	- -1 -1 127	INT16 R/- - -	CANopen 302D:D _h Modbus 11546 Profibus 11546 CIP 145.1.13 ModbusTCP 11546 EtherCAT 302D:D _h PROFINET 11546
<code>_MSM_error_field</code>	Field of the data set in which an error has been detected. Value -1: No error Value 0: Data set type Value 1: Setting A Value 2: Setting B Value 3: Setting C Value 4: Setting D Value 5: Transition type Value 6: Subsequent data set Value 7: Transition condition 1 Value 8: Transition value 1 Value 9: Logical operator Value 10: Transition condition 2 Value 11: Transition value 2 Modified settings become active immediately. Available with firmware version \geq V01.09.	- -1 -1 11	INT16 R/- - -	CANopen 302D:E _h Modbus 11548 Profibus 11548 CIP 145.1.14 ModbusTCP 11548 EtherCAT 302D:E _h PROFINET 11548

Diagnostics via Parameter

The parameter `_MSMnumFinish` lets you read the number of the data set that was being executed at the point in time the movement was canceled.

Parameter name HMI menu HMI name	Description	Unit Minimum value Factory setting Maximum value	Data type R/W Persistent Expert	Parameter address via fieldbus
<code>_MSMNumFinish</code>	Number of data set that was active when a movement was interrupted. When a movement is interrupted, the number of the data set that was being processed at the point in time of the interruption is contained in this parameter. Modified settings become active immediately.	- -1 -1 127	INT16 R/- - -	CANopen 302D:B _h Modbus 11542 Profibus 11542 CIP 145.1.11 ModbusTCP 11542 EtherCAT 302D:B _h PROFINET 11542

Additional Settings

The following functions can be used for target value processing:

- Chapter Stop Movement with Halt ([see page 351](#))
- Chapter Stop Movement with Quick Stop ([see page 352](#))
- Chapter Limitation of the Velocity via Signal Inputs ([see page 355](#))
- Chapter Limitation of the Current via Signal Inputs ([see page 357](#))
- Chapter Jerk Limitation ([see page 349](#))
This function is only available for the data set types Move Absolute, Move Additive, Move Relative, Reference Movement and Gear.
- Chapter Zero Clamp ([see page 359](#))
This function is only available for data set type Move Velocity.
- Chapter Setting a Signal Output via Parameter ([see page 360](#))
- Chapter Position Capture via Signal Input (Vendor-Specific Profile) ([see page 362](#))
Chapter Position Capture via Signal Input (DS402 Profile) ([see page 367](#))
- Chapter Relative Movement After Capture (RMAC) ([see page 371](#))
This function is only available for the data set types Move Absolute, Move Additive, Move Relative, Move Velocity and Gear.

The following functions can be used for monitoring the movement:

- Chapter Limit Switches ([see page 377](#))
- Chapter Reference Switch ([see page 378](#))
This function is only available for data set type Reference Movement.
- Chapter Software Limit Switches ([see page 379](#))
- Chapter Load-Dependent Position Deviation (Following Error) ([see page 381](#))
This function is only available for the data set types Move Absolute, Move Additive, Move Relative and Reference Movement.
- Chapter Motor Standstill and Direction of Movement ([see page 385](#))
- Chapter Standstill Window ([see page 388](#))
This function is only available for the data set types Move Absolute, Move Additive, Move Relative and Reference Movement.
- Chapter Position Register ([see page 390](#))
- Chapter Position Deviation Window ([see page 395](#))
This function is only available for the data set types Move Absolute, Move Additive, Move Relative and Reference Movement.
- Chapter Velocity Deviation Window ([see page 397](#))
- Chapter Velocity Threshold Value ([see page 399](#))
- Chapter Current Threshold Value ([see page 400](#))

Chapter 8

Functions for Operation

What Is in This Chapter?

This chapter contains the following sections:

Section	Topic	Page
8.1	Functions for Target Value Processing	346
8.2	Functions for Monitoring Movements	376
8.3	Functions for Monitoring Internal Device Signals	405

Section 8.1

Functions for Target Value Processing

What Is in This Section?

This section contains the following topics:

Topic	Page
Motion Profile for the Velocity	347
Jerk Limitation	349
Stopping Movement with Halt	351
Stopping Movement with Quick Stop	352
Inverting the Analog Signal Inputs	354
Limitation of the Velocity via Signal Inputs	355
Limitation of the Current via Signal Inputs	357
Zero Clamp	359
Setting a Signal Output via Parameter	360
Starting a Movement via a Signal Input	361
Position Capture via Signal Input (Vendor-Specific Profile)	362
Position Capture via Signal Input (DS402 Profile)	367
Relative Movement After Capture (RMAC)	371
Backlash Compensation	374

Motion Profile for the Velocity

Description

Target position and target velocity are input values specified by the user. A motion profile for the velocity is calculated on the basis of these input values.

The motion profile for the velocity consists of an acceleration, a deceleration and a maximum velocity. A linear ramp for both directions of movement is available.

Availability

The availability of the motion profile for the velocity depends on the operating mode.

In the following operating modes, the motion profile for the velocity is permanently active:

- Jog
- Profile Position
- Homing
- Motion Sequence (Move Absolute, Move Additive, Move Relative and Reference Movement)

In the following operating modes, the motion profile for the velocity can be activated and deactivated:

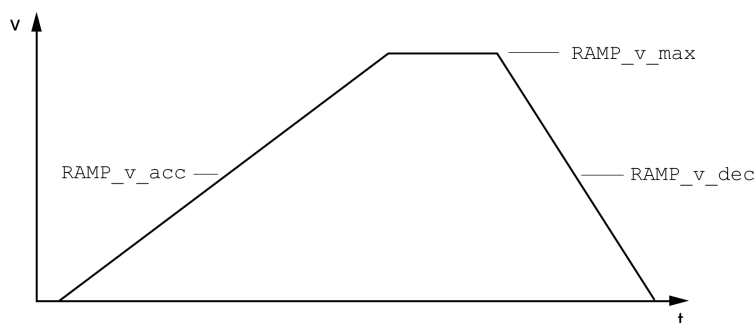
- Electronic Gear (velocity synchronization)
- Profile Velocity
- Motion Sequence (Move Velocity and Gear)

In the following operating modes, the motion profile for the velocity is unavailable:

- Electronic Gear (position synchronization)
- Profile Torque
- Interpolated Position

Ramp Slope

The ramp slope determines the velocity changes of the motor per time unit. The ramp slope can be set for acceleration and deceleration.



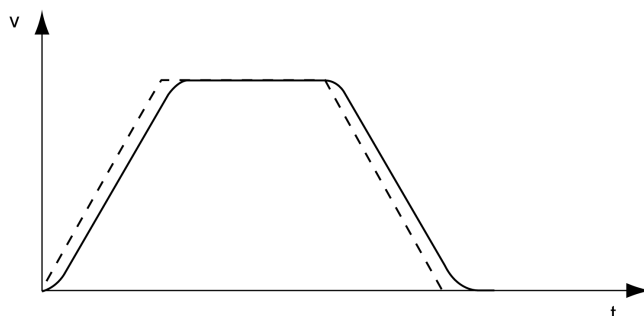
Parameter name HMI menu HMI name	Description	Unit Minimum value Factory setting Maximum value	Data type R/W Persistent Expert	Parameter address via fieldbus
RAMP_v_enable	Activation of the motion profile for velocity. 0 / Profile Off: Profile off 1 / Profile On: Profile on Setting can only be modified if power stage is disabled. Modified settings become active immediately.	- 0 1 1	UINT16 R/W per. -	CANopen 3006:2B _h Modbus 1622 Profibus 1622 CIP 106.1.43 ModbusTCP 1622 EtherCAT 3006:2B _h PROFINET 1622

Parameter name HMI menu HMI name	Description	Unit Minimum value Factory setting Maximum value	Data type R/W Persistent Expert	Parameter address via fieldbus
RAMP_v_max CONF → RCG - nr PP	Maximum velocity of the motion profile for velocity. If a greater reference velocity is set in one of these operating modes, it is automatically limited to RAMP_v_max. This way, commissioning at limited velocity is easier to perform. Setting can only be modified if power stage is disabled. Modified settings become active the next time the motor moves.	usr_v 1 13200 2147483647	UINT32 R/W per. -	CANopen 607F:0h Modbus 1554 Profibus 1554 CIP 106.1.9 ModbusTCP 1554 EtherCAT 607F:0h PROFINET 1554
RAMP_v_acc	Acceleration of the motion profile for velocity. Writing the value 0 has no effect on the parameter. Modified settings become active the next time the motor moves.	usr_a 1 600 2147483647	UINT32 R/W per. -	CANopen 6083:0h Modbus 1556 Profibus 1556 CIP 106.1.10 ModbusTCP 1556 EtherCAT 6083:0h PROFINET 1556
RAMP_v_dec	Deceleration of the motion profile for velocity. The minimum value depends on the operating mode: Operating modes with minimum value 1: Electronic Gear (velocity synchronization) Profile Velocity Motion Sequence (Move Velocity) Operating modes with minimum value 120: Jog Profile Position Homing Motion Sequence (Move Absolute, Move Additive, Move Relative and Reference Movement) Writing the value 0 has no effect on the parameter. Modified settings become active the next time the motor moves.	usr_a 1 600 2147483647	UINT32 R/W per. -	CANopen 6084:0h Modbus 1558 Profibus 1558 CIP 106.1.11 ModbusTCP 1558 EtherCAT 6084:0h PROFINET 1558

Jerk Limitation

Description

Jerk limitation smoothes sudden acceleration changes to allow for smooth transitions with almost no jerking.



Availability

Jerk limitation is available in the following operating modes.

- Jog
- Electronic Gear (position synchronization)
(with firmware version $\geq V01.02$ and parameter `GEARjerklim`)
- Profile Position
- Homing
- Motion Sequence (Move Absolute, Move Additive, Move Relative, Reference Movement and Gear)

Settings

Jerk limitation is activated and set via the parameter `RAMP_v_jerk`.

Parameter name HMI menu HMI name	Description	Unit Minimum value Factory setting Maximum value	Data type R/W Persistent Expert	Parameter address via fieldbus
<code>RAMP_v_jerk</code> <code>CONF → drvC -</code> <code>JEr</code>	Jerk limitation of the motion profile for velocity. 0 / Off / OFF: Off 1 / 1 / 1: 1 ms 2 / 2 / 2: 2 ms 4 / 4 / 4: 4 ms 8 / 8 / 8: 8 ms 16 / 16 / 16: 16 ms 32 / 32 / 32: 32 ms 64 / 64 / 64: 64 ms 128 / 128 / 128: 128 ms Adjustments can only be made if the operating mode is inactive (<code>x_end=1</code>). Modified settings become active the next time the motor moves.	ms 0 0 128	UINT16 R/W per. -	CANopen 3006:D _h Modbus 1562 Profibus 1562 CIP 106.1.13 ModbusTCP 1562 EtherCAT 3006:D _h PROFINET 1562

Operating Modes Electronic Gear and Motion Sequence

Jerk limitation is activated for the operating mode Electronic Gear (position synchronization) and for the operating mode Motion Sequence with the data set type Gear (position synchronization) by means of the parameter `GEARjerklim`.

Parameter name HMI menu HMI name	Description	Unit Minimum value Factory setting Maximum value	Data type R/W Persistent Expert	Parameter address via fieldbus
GEARjerklim CONF → J-L GFI L	<p>Activation of jerk limitation.</p> <p>0 / Off / OFF: Jerk limitation deactivated.</p> <p>1 / PosSyncOn / P-on: Jerk limitation active (only with position synchronization).</p> <p>The time for jerk limitation must be set via parameter RAMP_v_jerk.</p> <p>Setting can only be modified if power stage is disabled.</p> <p>Modified settings become active immediately.</p> <p>Available with firmware version ≥V01.02.</p>	- 0 0 1	UINT16 R/W per. -	CANopen 3026:7 _h Modbus 9742 Profibus 9742 CIP 138.1.7 ModbusTCP 9742 EtherCAT 3026:7 _h PROFINET 9742

Stopping Movement with Halt

Description

With a Halt, the ongoing movement is interrupted. The movement can be resumed when the Halt is cleared.

A Halt can be triggered via a digital signal input or a fieldbus command.

In order to interrupt a movement via a signal input, you must first parameterize the signal input function "Halt", see chapter Digital Inputs and Outputs (*see page 221*).

The following deceleration types are available:

- Deceleration via deceleration ramp
- Deceleration via torque ramp

Setting the Type of Deceleration

The parameter `LIM_HaltReaction` lets you set the type of deceleration.

Parameter name HMI menu HMI name	Description	Unit Minimum value Factory setting Maximum value	Data type R/W Persistent Expert	Parameter address via fieldbus
<code>LIM_HaltReaction</code> <i>CONF → RCG - h t Y P</i>	Halt option code. 1 / Deceleration Ramp / d e c E : Deceleration ramp 3 / Torque Ramp / t o r q : Torque ramp Set the deceleration ramp with parameter <code>RAMP_v_dec</code> . Set the torque ramp with parameter <code>LIM_I_maxHalt</code> . If a deceleration ramp is already active, the parameter cannot be written. Modified settings become active immediately.	- 1 1 3	INT16 R/W per. -	CANopen 605D:0h Modbus 1582 Profibus 1582 CIP 106.1.23 ModbusTCP 1582 EtherCAT 605D:0h PROFINET 1582

Setting the Deceleration Ramp

The deceleration ramp is set with the parameter `Ramp_v_dec` via the Motion Profile for the Velocity (*see page 347*).

Setting the Torque Ramp

The parameter `LIM_I_maxHalt` lets you set the torque ramp.

Parameter name HMI menu HMI name	Description	Unit Minimum value Factory setting Maximum value	Data type R/W Persistent Expert	Parameter address via fieldbus
<code>LIM_I_maxHalt</code> <i>CONF → RCG - h c u r</i>	Current for Halt. This value is only limited by the minimum/maximum value range (no limitation of this value by motor/power stage). In the case of a Halt, the current limit (<code>_lmax_act</code>) is one of the following values (whichever is lowest): - <code>LIM_I_maxHalt</code> - <code>_M_I_max</code> - <code>_PS_I_max</code> Further current limitations caused by I2t monitoring are also taken into account during a Halt. Default: <code>_PS_I_max</code> at 8 kHz PWM frequency and 230/480 V mains voltage In increments of 0.01 A_{rms} . Modified settings become active immediately.	A_{rms} - - -	UINT16 R/W per. -	CANopen 3011:Eh Modbus 4380 Profibus 4380 CIP 117.1.14 ModbusTCP 4380 EtherCAT 3011:Eh PROFINET 4380

Stopping Movement with Quick Stop

Description

With a Quick Stop, the ongoing movement is stopped.

A Quick Stop can be triggered by a detected error of error classes 1 or 2 or via a fieldbus command.

The movement can be stopped with 2 different deceleration types.

- Deceleration via deceleration ramp
- Deceleration via torque ramp

In addition, you can set the operating state to switch to after the deceleration.

- Transition to operating state **9** Fault
- Transition to operating state **7** Quick Stop Active

Setting the Type of Deceleration

The parameter LIM_QStopReact lets you set the type of deceleration.

Parameter name HMI menu HMI name	Description	Unit Minimum value Factory setting Maximum value	Data type R/W Persistent Expert	Parameter address via fieldbus
LIM_QStopReact	<p>Quick Stop option code.</p> <p>-2 / Torque ramp (Fault): Use torque ramp and transit to operating state 9 Fault</p> <p>-1 / Deceleration Ramp (Fault): Use deceleration ramp and transit to operating state 9 Fault</p> <p>6 / Deceleration ramp (Quick Stop): Use deceleration ramp and remain in operating state 7 Quick Stop</p> <p>7 / Torque ramp (Quick Stop): Use torque ramp and remain in operating state 7 Quick Stop</p> <p>Type of deceleration for Quick Stop.</p> <p>Setting of deceleration ramp with parameter RAMPquickstop.</p> <p>Setting of torque ramp with parameter LIM_I_maxQSTP.</p> <p>If a deceleration ramp is already active, the parameter cannot be written.</p> <p>Modified settings become active immediately.</p>	- -2 6 7	INT16 R/W per. -	CANopen 3006:18 _h Modbus 1584 Profibus 1584 CIP 106.1.24 ModbusTCP 1584 EtherCAT 3006:18 _h PROFINET 1584

Setting the Deceleration Ramp

The parameter RAMPquickstop lets you set the deceleration ramp.

Parameter name HMI menu HMI name	Description	Unit Minimum value Factory setting Maximum value	Data type R/W Persistent Expert	Parameter address via fieldbus
RAMPquickstop	<p>Deceleration ramp for Quick Stop.</p> <p>Deceleration ramp for a software stop or an error with error class 1 or 2.</p> <p>Modified settings become active the next time the motor moves.</p>	usr_a 1 6000 2147483647	UINT32 R/W per. -	CANopen 3006:12 _h Modbus 1572 Profibus 1572 CIP 106.1.18 ModbusTCP 1572 EtherCAT 3006:12 _h PROFINET 1572

Setting the Torque Ramp

The parameter LIM_I_maxQSTP lets you set the torque ramp.

Parameter name HMI menu HMI name	Description	Unit Minimum value Factory setting Maximum value	Data type R/W Persistent Expert	Parameter address via fieldbus
LIM_I_maxQSTP CONF → FLT - Qcur	<p>Current for Quick Stop. This value is only limited by the minimum/maximum value range (no limitation of this value by motor/power stage).</p> <p>In the case of a Quick Stop, the current limit (I_{max_act}) is one of the following values (whichever is lowest): - LIM_I_maxQSTP - M_I_max - PS_I_max</p> <p>Further current limitations caused by I2t monitoring are also taken into account during a Quick Stop.</p> <p>Default: PS_I_max at 8 kHz PWM frequency and 230/480 V mains voltage In increments of 0.01 A_{rms}. Modified settings become active immediately.</p>	A _{rms} - - -	UINT16 R/W per. -	CANopen 3011:D _h Modbus 4378 Profibus 4378 CIP 117.1.13 ModbusTCP 4378 EtherCAT 3011:D _h PROFINET 4378

Inverting the Analog Signal Inputs

The evaluation of the analog signal inputs can be inverted via the digital signal inputs.

- The signal input function "Inversion AI11 (I/O module)" inverts the signal evaluation of the analog signal input AI11.
- The signal input function "Inversion AI12 (I/O module)" inverts the signal evaluation of the analog signal input AI12.

In order to invert the signal evaluation of the analog signal inputs, you must first parameterize the signal input functions "Inversion AI11 (I/O module)" and "Inversion AI12 (I/O module)", see chapter Digital Inputs and Outputs (*see page 221*).

Availability

Analog signal inputs are available with the IOM1 module.

The signal input functions are available in the following operating modes:

- Profile Torque
- Profile Velocity

Limitation of the Velocity via Signal Inputs

Limitation via Analog Signal Input

The velocity can be limited via an analog signal input.

Analog signal inputs are available with the IOM1 module.

The parameters `IOM1_AI11_mode` and `IOM1_AI12_mode` let you select the type of usage of the analog signal inputs.

- If you want to use the analog signal input `AI1`, set the parameter `IOM1_AI11_mode` to the value "Velocity Limitation".
If you want to use the analog signal input `AI2`, set the parameter `IOM1_AI12_mode` to the value "Velocity Limitation".

Parameter name HMI menu HMI name	Description	Unit Minimum value Factory setting Maximum value	Data type R/W Persistent Expert	Parameter address via fieldbus
<code>IOM1_AI11_mode</code> <i>CONF → I - 0 - AI1u</i>	IOM1 Type of usage of AI11. 0 / None / none : No function 1 / Target Velocity / SPd5 : Target velocity for the velocity controller 2 / Target Torque / Trq5 : Target torque for the current controller 3 / Velocity Limitation / LSPd : Limitation of the reference velocity for the velocity controller 4 / Current Limitation / Lcur : Limitation of the reference current for the current controller Setting can only be modified if power stage is disabled. Modified settings become active the next time the power stage is enabled. Available with firmware version $\geq V01.06$.	- 0 1 4	UINT16 R/W per. -	CANopen 304F:E _h Modbus 20252 Profibus 20252 CIP 179.1.14 ModbusTCP 20252 EtherCAT 304F:E _h PROFINET 20252
<code>IOM1_AI12_mode</code> <i>CONF → I - 0 - AI2u</i>	IOM1 Type of usage of AI12. 0 / None / none : No function 1 / Target Velocity / SPd5 : Target velocity for the velocity controller 2 / Target Torque / Trq5 : Target torque for the current controller 3 / Velocity Limitation / LSPd : Limitation of the reference velocity for the velocity controller 4 / Current Limitation / Lcur : Limitation of the reference current for the current controller Setting can only be modified if power stage is disabled. Modified settings become active the next time the power stage is enabled. Available with firmware version $\geq V01.06$.	- 0 0 4	UINT16 R/W per. -	CANopen 304F:13 _h Modbus 20262 Profibus 20262 CIP 179.1.19 ModbusTCP 20262 EtherCAT 304F:13 _h PROFINET 20262

The parameters `IOM1_AI11_v_max` and `IOM1_AI12_v_max` are used to set the value of the limitation for a voltage value of 10 V.

- If you want to use the analog signal input `AI11`, use the parameter `IOM1_AI11_v_max` to set the value of the limitation for a voltage value of 10 V.
If you want to use the analog signal input `AI12`, use the parameter `IOM1_AI12_v_max` to set the value of the limitation for a voltage value of 10 V.

Parameter name HMI menu HMI name	Description	Unit Minimum value Factory setting Maximum value	Data type R/W Persistent Expert	Parameter address via fieldbus
IOM1_AI11_v_max	IOM1 Limitation of velocity at 10 V of AI11. The maximum velocity is limited to the setting in CTRL_v_max. The minimum velocity is internally limited to 100 min-1. Setting can only be modified if power stage is disabled. Modified settings become active the next time the power stage is enabled. Available with firmware version ≥V01.06.	usr_v 1 3000 2147483647	UINT32 R/W per. -	CANopen 304F:10 _h Modbus 20256 Profibus 20256 CIP 179.1.16 ModbusTCP 20256 EtherCAT 304F:10 _h PROFINET 20256
IOM1_AI12_v_max	IOM1 Limitation of velocity at 10 V of AI12. The maximum velocity is limited to the setting in CTRL_v_max. The minimum velocity is internally limited to 100 min-1. Setting can only be modified if power stage is disabled. Modified settings become active the next time the power stage is enabled. Available with firmware version ≥V01.06.	usr_v 1 3000 2147483647	UINT32 R/W per. -	CANopen 304F:15 _h Modbus 20266 Profibus 20266 CIP 179.1.21 ModbusTCP 20266 EtherCAT 304F:15 _h PROFINET 20266

Limitation via Digital Signal Input

The velocity can be limited to a specific value via a digital signal input.

The parameter `IO_v_limit` lets you set the velocity limitation.

Parameter name HMI menu HMI name	Description	Unit Minimum value Factory setting Maximum value	Data type R/W Persistent Expert	Parameter address via fieldbus
IO_v_limit	Velocity limitation via input. A velocity limitation can be activated via a digital input. In operating mode Profile Torque, the minimum velocity is internally limited to 100 RPM. Modified settings become active immediately.	usr_v 0 10 2147483647	UINT32 R/W per. -	CANopen 3006:1E _h Modbus 1596 Profibus 1596 CIP 106.1.30 ModbusTCP 1596 EtherCAT 3006:1E _h PROFINET 1596

In order to limit the velocity via a digital signal input, you must first parameterize the signal input function "Velocity Limitation", see chapter Digital Inputs and Outputs (*see page 221*).

As of firmware version ≥V01.24 you can configure the signal evaluation of the signal input function via the parameter `IOsigVelLim`.

Parameter name HMI menu HMI name	Description	Unit Minimum value Factory setting Maximum value	Data type R/W Persistent Expert	Parameter address via fieldbus
IOsigVelLim	Signal evaluation for signal input function Velocity Limitation. 1 / Normally Closed: Normally closed NC 2 / Normally Open: Normally open NO Setting can only be modified if power stage is disabled. Modified settings become active the next time the power stage is enabled. Available with firmware version ≥V01.24.	- 1 2 2	UINT16 R/W per. -	CANopen 3008:27 _h Modbus 2126 Profibus 2126 CIP 108.1.39 ModbusTCP 2126 EtherCAT 3008:27 _h PROFINET 2126

Limitation of the Current via Signal Inputs

Limitation via Analog Signal Input

The current can be limited via an analog signal input.

Analog signal inputs are available with the IOM1 module.

The parameters `IOM1_AI11_mode` and `IOM1_AI12_mode` let you select the type of usage of the analog signal inputs.

- If you want to use the analog signal input `AI1`, set the parameter `IOM1_AI11_mode` to the value "Current Limitation".
If you want to use the analog signal input `AI2`, set the parameter `IOM1_AI12_mode` to the value "Current Limitation".

Parameter name HMI menu HMI name	Description	Unit Minimum value Factory setting Maximum value	Data type R/W Persistent Expert	Parameter address via fieldbus
<code>IOM1_AI11_mode</code> <i>CONF → I - 0 - A 1 1 u</i>	IOM1 Type of usage of AI11. 0 / None / none : No function 1 / Target Velocity / SPd5 : Target velocity for the velocity controller 2 / Target Torque / Trq5 : Target torque for the current controller 3 / Velocity Limitation / LSPd : Limitation of the reference velocity for the velocity controller 4 / Current Limitation / Lcur : Limitation of the reference current for the current controller Setting can only be modified if power stage is disabled. Modified settings become active the next time the power stage is enabled. Available with firmware version $\geq V01.06$.	- 0 1 4	UINT16 R/W per. -	CANopen 304F:E _h Modbus 20252 Profibus 20252 CIP 179.1.14 ModbusTCP 20252 EtherCAT 304F:E _h PROFINET 20252
<code>IOM1_AI12_mode</code> <i>CONF → I - 0 - A 1 2 u</i>	IOM1 Type of usage of AI12. 0 / None / none : No function 1 / Target Velocity / SPd5 : Target velocity for the velocity controller 2 / Target Torque / Trq5 : Target torque for the current controller 3 / Velocity Limitation / LSPd : Limitation of the reference velocity for the velocity controller 4 / Current Limitation / Lcur : Limitation of the reference current for the current controller Setting can only be modified if power stage is disabled. Modified settings become active the next time the power stage is enabled. Available with firmware version $\geq V01.06$.	- 0 0 4	UINT16 R/W per. -	CANopen 304F:13 _h Modbus 20262 Profibus 20262 CIP 179.1.19 ModbusTCP 20262 EtherCAT 304F:13 _h PROFINET 20262

The parameters `IOM1_AI11_I_max` and `IOM1_AI12_I_max` are used to set the value of the limitation for a voltage value of 10 V.

- If you want to use the analog signal input `AI11`, use the parameter `IOM1_AI11_I_max` to set the value of the limitation for a voltage value of 10 V.
If you want to use the analog signal input `AI12`, use the parameter `IOM1_AI12_I_max` to set the value of the limitation for a voltage value of 10 V.

Parameter name HMI menu HMI name	Description	Unit Minimum value Factory setting Maximum value	Data type R/W Persistent Expert	Parameter address via fieldbus
IOM1_AI11_I_max C o n F → , - o - L 1 1 ,	IOM1 Limitation of current at 10 V of AI11. In increments of 0.01 A _{rms} . Setting can only be modified if power stage is disabled. Modified settings become active the next time the power stage is enabled. Available with firmware version ≥V01.06.	A _{rms} 0.00 3.00 463.00	UINT16 R/W per. -	CANopen 304F:F _h Modbus 20254 Profibus 20254 CIP 179.1.15 ModbusTCP 20254 EtherCAT 304F:F _h PROFINET 20254
IOM1_AI12_I_max C o n F → , - o - L 1 2 ,	IOM1 Limitation of current at 10 V of AI12. In increments of 0.01 A _{rms} . Setting can only be modified if power stage is disabled. Modified settings become active the next time the power stage is enabled. Available with firmware version ≥V01.06.	A _{rms} 0.00 3.00 463.00	UINT16 R/W per. -	CANopen 304F:14 _h Modbus 20264 Profibus 20264 CIP 179.1.20 ModbusTCP 20264 EtherCAT 304F:14 _h PROFINET 20264

Limitation via Digital Signal Input

The current can be limited to a specific value via a digital signal input.

The parameter IO_I_limit lets you set the current limitation.

Parameter name HMI menu HMI name	Description	Unit Minimum value Factory setting Maximum value	Data type R/W Persistent Expert	Parameter address via fieldbus
IO_I_limit C o n F → , - o - L 1 , 1 1	Current limitation via input. A current limit can be activated via a digital input. In increments of 0.01 A _{rms} . Modified settings become active immediately.	A _{rms} 0.00 0.20 300.00	UINT16 R/W per. -	CANopen 3006:27 _h Modbus 1614 Profibus 1614 CIP 106.1.39 ModbusTCP 1614 EtherCAT 3006:27 _h PROFINET 1614

In order to limit the current via a digital signal input, you must first parameterize the signal input function "Current Limitation", see chapter Digital Inputs and Outputs ([see page 221](#)).

As of firmware version ≥V01.24 you can configure the signal evaluation of the signal input function via the parameter IOsigCurrLim.

Parameter name HMI menu HMI name	Description	Unit Minimum value Factory setting Maximum value	Data type R/W Persistent Expert	Parameter address via fieldbus
IOsigCurrLim	Signal evaluation for signal input function Current Limitation. 1 / Normally Closed: Normally closed NC 2 / Normally Open: Normally open NO Setting can only be modified if power stage is disabled. Modified settings become active the next time the power stage is enabled. Available with firmware version ≥V01.24.	- 1 2 2	UINT16 R/W per. -	CANopen 3008:28 _h Modbus 2128 Profibus 2128 CIP 108.1.40 ModbusTCP 2128 EtherCAT 3008:28 _h PROFINET 2128

Zero Clamp

Description

The motor can be stopped via a digital signal input. The velocity of the motor must be below a parameterizable velocity value.

Availability

The signal input function “Zero Clamp” is available in the following operating mode:

- Electronic Gear (velocity synchronization)
- Profile Velocity
- Motion Sequence (Move Velocity)

Settings

Target velocities in the operating mode Profile Velocity and reference velocities in the operating mode Electronic Gear (Velocity Synchronization) that are below the parameterizable velocity value are interpreted as "Zero".

The signal input function “Zero Clamp” has a hysteresis of 20 %.

The parameter `MON_v_zeroclamp` lets you set the velocity value.

Parameter name HMI menu HMI name	Description	Unit Minimum value Factory setting Maximum value	Data type R/W Persistent Expert	Parameter address via fieldbus
MON_v_zeroclamp	Velocity limit for Zero Clamp. A Zero Clamp operation is only possible if the reference velocity is below the Zero Clamp velocity limit. Modified settings become active immediately.	usr_v 0 10 2147483647	UINT32 R/W per. -	CANopen 3006:28 _h Modbus 1616 Profibus 1616 CIP 106.1.40 ModbusTCP 1616 EtherCAT 3006:28 _h PROFINET 1616

In order to stop the motor via a digital signal input, you must first parameterize the signal input function “Zero Clamp”, see chapter Digital Inputs and Outputs ([see page 221](#)).

Setting a Signal Output via Parameter

Description

The digital signal outputs can be set as required via the fieldbus.

In order to set the digital signal outputs via the parameter, you must first parameterize the signal output function "Freely Available", see chapter Parameterization of the Signal Output Functions ([see page 231](#)).

If one or more of the outputs are not set to "Freely Available", the write to that or those outputs is ignored.

The parameter `IO_DQ_set` lets you set the digital signal outputs.

Parameter name HMI menu HMI name	Description	Unit Minimum value Factory setting Maximum value	Data type R/W Persistent Expert	Parameter address via fieldbus
<code>IO_DQ_set</code>	<p>Setting the digital outputs directly. Digital outputs can only be set directly if the signal output function has been set to 'Freely Available'.</p> <p>Bit assignments: Bit 0: DQ0 Bit 1: DQ1 Bit 2: DQ2</p>	- - - -	UINT16 R/W - -	CANopen 3008:11 _h Modbus 2082 Profibus 2082 CIP 108.1.17 ModbusTCP 2082 EtherCAT 3008:11 _h PROFINET 2082

Starting a Movement via a Signal Input

The signal input function “Start Profile Positioning” sets the start signal for the movement in the operating mode Profile Position. The positioning movement is then executed when the edge at the digital input rises.

Position Capture via Signal Input (Vendor-Specific Profile)

Description

The motor position can be captured when a signal is detected at a Capture input.

Number of Capture Inputs

The number of Capture inputs depends on the hardware version.

- With hardware version \geq RS03:
3 Capture inputs: DI0/CAP1, DI1/CAP2 and DI2/CAP3
- With hardware version $<$ RS03:
2 Capture inputs: DI0/CAP1 and DI1/CAP2

Selection of the Method

The motor position can be captured in 2 different ways:

- One-time position capture
One-time capture means that the position is captured at the first edge.
- Continuous motor position capture
Continuous capture means that the motor position is captured anew at every edge. The previously captured value is lost.

The motor position can be captured when the edge at the Capture input rises or falls.

Accuracy

A jitter of 2 μ s results in an inaccuracy of the captured position of approximately 1.6 user-defined units at a velocity of 3000 RPM.

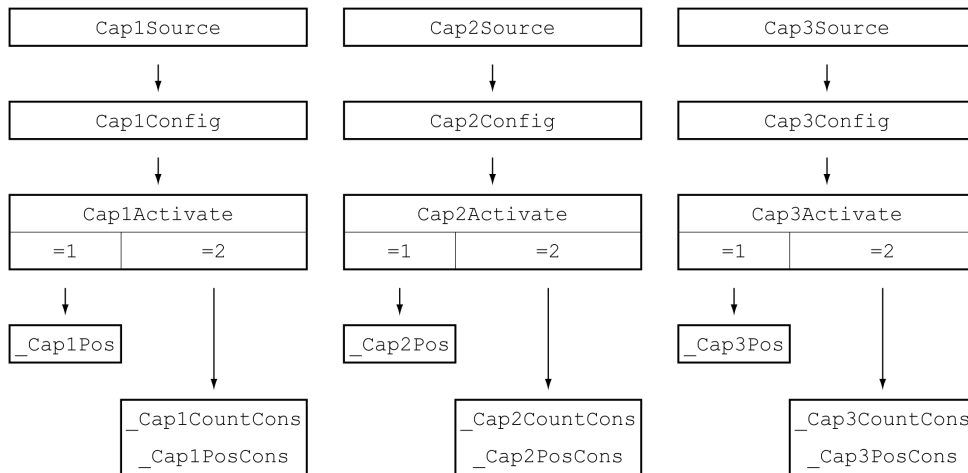
$$(3000 \text{ RPM} = (3000 \cdot 16384) / (60 \cdot 10^6) = 0.8 \text{ us}_r/\mu\text{s})$$

If the factory settings for scaling are used, 1.6 user-defined units correspond to 0.035 $^\circ$.

The captured motor position is less accurate during the acceleration phase and the deceleration phase.

Overview of the Parameters

The following graphics provide an overview of the parameters:



Setting the Source

The following parameters let you set the source for position capture.

- Set the source for position capture with the parameters Cap1Source, Cap2Source and Cap3Source.

Parameter name HMI menu HMI name	Description	Unit Minimum value Factory setting Maximum value	Data type R/W Persistent Expert	Parameter address via fieldbus
Cap1Source	Capture input 1 encoder source. 0 / Pact Encoder 1: Source for capture input 1 is Pact of encoder 1 1 / Pact Encoder 2: Source for capture input 1 is Pact of encoder 2 (module) Modified settings become active immediately. Available with firmware version $\geq V01.01$.	- 0 0 1	UINT16 R/W - -	CANopen 300A:A _h Modbus 2580 Profibus 2580 CIP 110.1.10 ModbusTCP 2580 EtherCAT 300A:A _h PROFINET 2580
Cap2Source	Capture input 2 encoder source. 0 / Pact Encoder 1: Source for capture input 2 is Pact of encoder 1 1 / Pact Encoder 2: Source for capture input 2 is Pact of encoder 2 (module) Modified settings become active immediately. Available with firmware version $\geq V01.01$.	- 0 0 1	UINT16 R/W - -	CANopen 300A:B _h Modbus 2582 Profibus 2582 CIP 110.1.11 ModbusTCP 2582 EtherCAT 300A:B _h PROFINET 2582
Cap3Source	Capture input 3 encoder source. 0 / Pact Encoder 1: Source for capture input 3 is Pact of encoder 1 1 / Pact Encoder 2: Source for capture input 3 is Pact of encoder 2 (module) Available with hardware version $\geq RS03$. Modified settings become active immediately.	- 0 0 1	UINT16 R/W - -	CANopen 300A:15 _h Modbus 2602 Profibus 2602 CIP 110.1.21 ModbusTCP 2602 EtherCAT 300A:15 _h PROFINET 2602

Setting the Edge

The following parameters let you set the edge for position capture.

- Set the desired edge with the parameters Cap1Config, Cap2Config and Cap3Config.

Parameter name HMI menu HMI name	Description	Unit Minimum value Factory setting Maximum value	Data type R/W Persistent Expert	Parameter address via fieldbus
Cap1Config	Capture input 1 configuration. 0 / Falling Edge: Position capture at falling edge 1 / Rising Edge: Position capture at rising edge 2 / Both Edges: Position capture at both edges Modified settings become active immediately.	- 0 0 2	UINT16 R/W - -	CANopen 300A:2 _h Modbus 2564 Profibus 2564 CIP 110.1.2 ModbusTCP 2564 EtherCAT 300A:2 _h PROFINET 2564
Cap2Config	Capture input 2 configuration. 0 / Falling Edge: Position capture at falling edge 1 / Rising Edge: Position capture at rising edge 2 / Both Edges: Position capture at both edges Modified settings become active immediately.	- 0 0 2	UINT16 R/W - -	CANopen 300A:3 _h Modbus 2566 Profibus 2566 CIP 110.1.3 ModbusTCP 2566 EtherCAT 300A:3 _h PROFINET 2566
Cap3Config	Capture input 3 configuration. 0 / Falling Edge: Position capture at falling edge 1 / Rising Edge: Position capture at rising edge Available with hardware version $\geq RS03$. Modified settings become active immediately.	- 0 0 1	UINT16 R/W - -	CANopen 300A:11 _h Modbus 2594 Profibus 2594 CIP 110.1.17 ModbusTCP 2594 EtherCAT 300A:11 _h PROFINET 2594

Starting Position Capture

The following parameters let you start position capture.

- Set the desired method with the parameters Cap1Activate and Cap2Activate and Cap3Activate.

Parameter name HMI menu HMI name	Description	Unit Minimum value Factory setting Maximum value	Data type R/W Persistent Expert	Parameter address via fieldbus
Cap1Activate	Capture input 1 start/stop. 0 / Capture Stop: Cancel capture function 1 / Capture Once: Start one-time capture 2 / Capture Continuous: Start continuous capture 3 / Reserved: Reserved 4 / Reserved: Reserved In the case of one-time capture, the function is terminated when the first value is captured. In the case of continuous capture, the function continues to run. Modified settings become active immediately.	- 0 - 4	UINT16 R/W - -	CANopen 300A:4 _h Modbus 2568 Profibus 2568 CIP 110.1.4 ModbusTCP 2568 EtherCAT 300A:4 _h PROFINET 2568
Cap2Activate	Capture input 2 start/stop. 0 / Capture Stop: Cancel capture function 1 / Capture Once: Start one-time capture 2 / Capture Continuous: Start continuous capture 3 / Reserved: Reserved 4 / Reserved: Reserved In the case of one-time capture, the function is terminated when the first value is captured. In the case of continuous capture, the function continues to run. Modified settings become active immediately.	- 0 - 4	UINT16 R/W - -	CANopen 300A:5 _h Modbus 2570 Profibus 2570 CIP 110.1.5 ModbusTCP 2570 EtherCAT 300A:5 _h PROFINET 2570
Cap3Activate	Capture input 3 start/stop. 0 / Capture Stop: Cancel capture function 1 / Capture Once: Start one-time capture 2 / Capture Continuous: Start continuous capture In the case of one-time capture, the function is terminated when the first value is captured. In the case of continuous capture, the function continues to run. Available with hardware version ≥RS03. Modified settings become active immediately.	- 0 - 2	UINT16 R/W - -	CANopen 300A:12 _h Modbus 2596 Profibus 2596 CIP 110.1.18 ModbusTCP 2596 EtherCAT 300A:12 _h PROFINET 2596

Status Messages

The parameter `_CapStatus` indicates the capture status.

Parameter name HMI menu HMI name	Description	Unit Minimum value Factory setting Maximum value	Data type R/W Persistent Expert	Parameter address via fieldbus
<code>_CapStatus</code>	Status of the capture inputs. Read access: Bit 0: Position captured via input CAP1 Bit 1: Position captured via input CAP2 Bit 2: Position captured via input CAP3	- - - -	UINT16 R/- - -	CANopen 300A:1 _h Modbus 2562 Profibus 2562 CIP 110.1.1 ModbusTCP 2562 EtherCAT 300A:1 _h PROFINET 2562

Captured Position

The captured positions for one-time capture can be read via the following parameters:

Parameter name HMI menu HMI name	Description	Unit Minimum value Factory setting Maximum value	Data type R/W Persistent Expert	Parameter address via fieldbus
_Cap1Pos	Capture input 1 captured position (one-time). Captured position at the time of the "capture signal". The captured position is re-calculated after "Position Setting" or "Reference Movement".	usr_p - - -	INT32 R/- - -	CANopen 300A:6 _h Modbus 2572 Profibus 2572 CIP 110.1.6 ModbusTCP 2572 EtherCAT 300A:6 _h PROFINET 2572
_Cap2Pos	Capture input 2 captured position (one-time). Captured position at the time of the "capture signal". The captured position is re-calculated after "Position Setting" or "Reference Movement".	usr_p - - -	INT32 R/- - -	CANopen 300A:7 _h Modbus 2574 Profibus 2574 CIP 110.1.7 ModbusTCP 2574 EtherCAT 300A:7 _h PROFINET 2574
_Cap3Pos	Capture input 3 captured position (one-time). Captured position at the time of the "capture signal". The captured position is re-calculated after "Position Setting" or "Reference Movement". Available with hardware version ≥RS03.	usr_p - - -	INT32 R/- - -	CANopen 300A:13 _h Modbus 2598 Profibus 2598 CIP 110.1.19 ModbusTCP 2598 EtherCAT 300A:13 _h PROFINET 2598

The captured positions for continuous capture can be read via the following parameters:

Parameter name HMI menu HMI name	Description	Unit Minimum value Factory setting Maximum value	Data type R/W Persistent Expert	Parameter address via fieldbus
_Cap1CountCons	Capture input 1 event counter (continuous). Counts the capture events. The event counter is reset when capture input 1 is activated. By reading this parameter, the parameter "_Cap1PosCons" is updated and locked so it cannot be changed. Both parameter values remain consistent. Available with firmware version ≥V01.12.	- - - -	UINT16 R/- - -	CANopen 300A:17 _h Modbus 2606 Profibus 2606 CIP 110.1.23 ModbusTCP 2606 EtherCAT 300A:17 _h PROFINET 2606
_Cap1PosCons	Capture input 1 captured position (continuous). Captured position at the time of the "capture signal". The captured position is re-calculated after "Position Setting" or "Reference Movement". By reading the parameter "_Cap1CountCons", this parameter is updated and locked so it cannot be changed. Both parameter values remain consistent. Available with firmware version ≥V01.12.	usr_p - - -	INT32 R/- - -	CANopen 300A:18 _h Modbus 2608 Profibus 2608 CIP 110.1.24 ModbusTCP 2608 EtherCAT 300A:18 _h PROFINET 2608
_Cap2CountCons	Capture input 2 event counter (continuous). Counts the capture events. The event counter is reset when capture input 2 is activated. By reading this parameter, the parameter "_Cap2PosCons" is updated and locked so it cannot be changed. Both parameter values remain consistent. Available with firmware version ≥V01.12.	- - - -	UINT16 R/- - -	CANopen 300A:19 _h Modbus 2610 Profibus 2610 CIP 110.1.25 ModbusTCP 2610 EtherCAT 300A:19 _h PROFINET 2610

Parameter name HMI menu HMI name	Description	Unit Minimum value Factory setting Maximum value	Data type R/W Persistent Expert	Parameter address via fieldbus
_Cap2PosCons	<p>Capture input 2 captured position (continuous). Captured position at the time of the "capture signal". The captured position is re-calculated after "Position Setting" or "Reference Movement". By reading the parameter "_Cap2CountCons", this parameter is updated and locked so it cannot be changed. Both parameter values remain consistent. Available with firmware version \geqV01.12.</p>	usr_p - - -	INT32 R/- - -	CANopen 300A:1A _h Modbus 2612 Profibus 2612 CIP 110.1.26 ModbusTCP 2612 EtherCAT 300A:1A _h PROFINET 2612
_Cap3CountCons	<p>Capture input 3 event counter (continuous). Counts the capture events. The event counter is reset when capture input 3 is activated. By reading this parameter, the parameter "_Cap3PosCons" is updated and locked so it cannot be changed. Both parameter values remain consistent. Available with hardware version \geqRS03. Available with firmware version \geqV01.12.</p>	- - - -	UINT16 R/- - -	CANopen 300A:1B _h Modbus 2614 Profibus 2614 CIP 110.1.27 ModbusTCP 2614 EtherCAT 300A:1B _h PROFINET 2614
_Cap3PosCons	<p>Capture input 3 captured position (continuous). Captured position at the time of the "capture signal". The captured position is re-calculated after "Position Setting" or "Reference Movement". By reading the parameter "_Cap3CountCons", this parameter is updated and locked so it cannot be changed. Both parameter values remain consistent. Available with hardware version \geqRS03. Available with firmware version \geqV01.12.</p>	usr_p - - -	INT32 R/- - -	CANopen 300A:1C _h Modbus 2616 Profibus 2616 CIP 110.1.28 ModbusTCP 2616 EtherCAT 300A:1C _h PROFINET 2616

Position Capture via Signal Input (DS402 Profile)

Description

The motor position can be captured when a signal is detected at a Capture input.

Availability

Available with firmware version $\geq V01.16$.

Number of Capture Inputs

Two Capture inputs are available under DS402 profile.

- Capture input: DI0/CAP1
- Capture input: DI1/CAP2

Selection of the Method

The motor position can be captured in 2 different ways:

- One-time position capture
One-time capture means that the position is captured at the first edge.
- Continuous motor position capture
Continuous capture means that the motor position is captured anew at every edge. The previously captured value is lost.

The motor position can be captured when the edge at the Capture input rises or falls.

Accuracy

A jitter of 2 μ s results in an inaccuracy of the captured position of approximately 1.6 user-defined units at a velocity of 3000 RPM.

$$(3000 \text{ RPM} = (3000 * 16384) / (60 * 10^6) = 0.8 \text{ usr}_p / \mu\text{s})$$

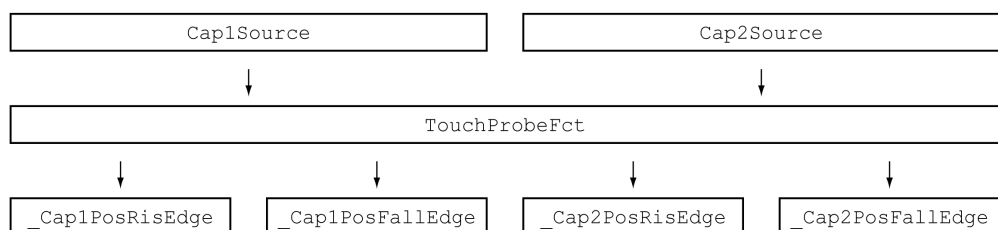
If the factory settings for scaling are used, 1.6 user-defined units correspond to 0.035 $^\circ$.

The captured motor position is less accurate during the acceleration phase and the deceleration phase.

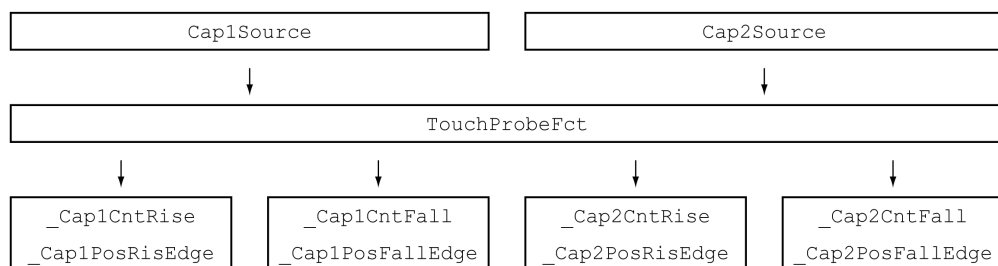
Overview of the Parameters

The following graphics provide an overview of the parameters.

Parameters for one-time capture:



Parameters for continuous capture:



Setting the Source

The following parameters let you set the source for position capture.

- Set the source for position capture with the parameters `Cap1Source` and `Cap2Source`.

Parameter name HMI menu HMI name	Description	Unit Minimum value Factory setting Maximum value	Data type R/W Persistent Expert	Parameter address via fieldbus
Cap1Source	Capture input 1 encoder source. 0 / Pact Encoder 1: Source for capture input 1 is Pact of encoder 1 1 / Pact Encoder 2: Source for capture input 1 is Pact of encoder 2 (module) Modified settings become active immediately. Available with firmware version $\geq V01.01$.	- 0 0 1	UINT16 R/W - -	CANopen 300A:A _h Modbus 2580 Profibus 2580 CIP 110.1.10 ModbusTCP 2580 EtherCAT 300A:A _h PROFINET 2580
Cap2Source	Capture input 2 encoder source. 0 / Pact Encoder 1: Source for capture input 2 is Pact of encoder 1 1 / Pact Encoder 2: Source for capture input 2 is Pact of encoder 2 (module) Modified settings become active immediately. Available with firmware version $\geq V01.01$.	- 0 0 1	UINT16 R/W - -	CANopen 300A:B _h Modbus 2582 Profibus 2582 CIP 110.1.11 ModbusTCP 2582 EtherCAT 300A:B _h PROFINET 2582

Adjusting and Starting Position Capture

The following parameter let you adjust and start position capture.

Parameter name HMI menu HMI name	Description	Unit Minimum value Factory setting Maximum value	Data type R/W Persistent Expert	Parameter address via fieldbus
TouchProbeFct	Touch Probe function (DS402). Modified settings become active immediately. Available with firmware version $\geq V01.16$.	- - - -	UINT16 R/W - -	CANopen 60B8:0 _h Modbus 7028 Profibus 7028 CIP 127.1.58 ModbusTCP 7028 EtherCAT 60B8:0 _h PROFINET 7028

Bit	Value 0	Value 1
0	Deactivate Capture input 1	Activate Capture input 1
1	One-time capture	Continuous capture
2 ... 3	Reserved (must be 0)	-
4	Disabling capture with rising edge	Enabling capture with rising edge
5	Disabling capture with falling edge	Enabling capture with falling edge
6 ... 7	Reserved (must be 0)	-
8	Deactivate Capture input 2	Activate Capture input 2
9	One-time capture	Continuous capture
10 ... 11	Reserved (must be 0)	-
12	Disabling capture with rising edge	Enabling capture with rising edge
13	Disabling capture with falling edge	Enabling capture with falling edge
14 ... 15	Reserved (must be 0)	-

Status Messages

The following parameter lets you indicate the capture status.

Parameter name HMI menu HMI name	Description	Unit Minimum value Factory setting Maximum value	Data type R/W Persistent Expert	Parameter address via fieldbus
_TouchProbeStat	Touch Probe status (DS402). Modified settings become active immediately. Available with firmware version \geq V01.16.	- - - -	UINT16 R/- - -	CANopen 60B9:0h Modbus 7030 Profibus 7030 CIP 127.1.59 ModbusTCP 7030 EtherCAT 60B9:0h PROFINET 7030

Bit	Value 0	Value 1
0	Capture input 1 deactivated	Capture input 1 activated
1	Capture input 1 no value captured for rising edge	Capture input 1 value captured for rising edge
2	Capture input 1 no value captured for falling edge	Capture input 1 value captured for falling edge
3 ... 7	Reserved	-
8	Capture input 2 deactivated	Capture input 2 activated
9	Capture input 2 no value captured for rising edge	Capture input 2 value captured for rising edge
10	Capture input 2 no value captured for falling edge	Capture input 2 value captured for falling edge
11 ... 15	Reserved	-

Captured Position

The captured position can be read via the following parameters:

Parameter name HMI menu HMI name	Description	Unit Minimum value Factory setting Maximum value	Data type R/W Persistent Expert	Parameter address via fieldbus
_Cap1PosRisEdge	Capture input 1 captured position at rising edge (DS402). This parameter contains the position captured at the point in time a rising edge was detected. The captured position is recalculated after "Position Setting" or "Reference Movement". Available with firmware version \geq V01.16.	usr_p - - -	INT32 R/- - -	CANopen 60BA:0h Modbus 2634 Profibus 2634 CIP 110.1.37 ModbusTCP 2634 EtherCAT 60BA:0h PROFINET 2634
_Cap1CntRise	Capture input 1 event counter at rising edges (DS402). Counts the capture events at rising edges. The event counter is reset when capture input 1 is activated. Available with firmware version \geq V01.16.	- - - -	UINT16 R/- - -	CANopen 300A:2Bh Modbus 2646 Profibus 2646 CIP 110.1.43 ModbusTCP 2646 EtherCAT 300A:2Bh PROFINET 2646
_Cap1PosFallEdge	Capture input 1 captured position at falling edge (DS402). This parameter contains the position captured at the point in time a falling edge was detected. The captured position is recalculated after "Position Setting" or "Reference Movement". Available with firmware version \geq V01.16.	usr_p - - -	INT32 R/- - -	CANopen 60BB:0h Modbus 2636 Profibus 2636 CIP 110.1.38 ModbusTCP 2636 EtherCAT 60BB:0h PROFINET 2636

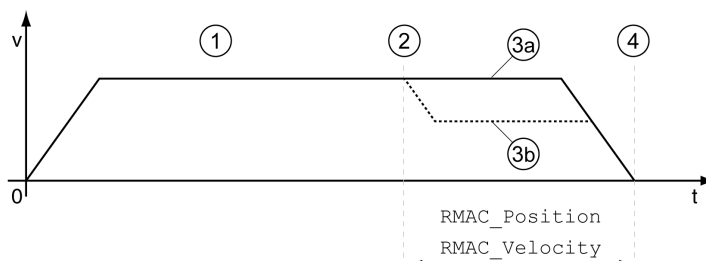
Parameter name HMI menu HMI name	Description	Unit Minimum value Factory setting Maximum value	Data type R/W Persistent Expert	Parameter address via fieldbus
_Cap1CntFall	Capture input 1 event counter at falling edges (DS402). Counts the capture events at falling edges. The event counter is reset when capture input 1 is activated. Available with firmware version \geq V01.16.	- - - -	UINT16 R/- - -	CANopen 300A:2C _h Modbus 2648 Profibus 2648 CIP 110.1.44 ModbusTCP 2648 EtherCAT 300A:2C _h PROFINET 2648
_Cap2PosRisEdge	Capture input 2 captured position at rising edge (DS402). This parameter contains the position captured at the point in time a rising edge was detected. The captured position is recalculated after "Position Setting" or "Reference Movement". Available with firmware version \geq V01.16.	usr_p - - -	INT32 R/- - -	CANopen 60BC:0 _h Modbus 2638 Profibus 2638 CIP 110.1.39 ModbusTCP 2638 EtherCAT 60BC:0 _h PROFINET 2638
_Cap2CntRise	Capture input 2 event counter at rising edges (DS402). Counts the capture events at rising edges. The event counter is reset when capture input 2 is activated. Available with firmware version \geq V01.16.	- - - -	UINT16 R/- - -	CANopen 300A:2D _h Modbus 2650 Profibus 2650 CIP 110.1.45 ModbusTCP 2650 EtherCAT 300A:2D _h PROFINET 2650
_Cap2PosFallEdge	Capture input 2 captured position at falling edge (DS402). This parameter contains the position captured at the point in time a falling edge was detected. The captured position is recalculated after "Position Setting" or "Reference Movement". Available with firmware version \geq V01.16.	usr_p - - -	INT32 R/- - -	CANopen 60BD:0 _h Modbus 2640 Profibus 2640 CIP 110.1.40 ModbusTCP 2640 EtherCAT 60BD:0 _h PROFINET 2640
_Cap2CntFall	Capture input 2 event counter at falling edges (DS402). Counts the capture events at falling edges. The event counter is reset when capture input 2 is activated. Available with firmware version \geq V01.16.	- - - -	UINT16 R/- - -	CANopen 300A:2E _h Modbus 2652 Profibus 2652 CIP 110.1.46 ModbusTCP 2652 EtherCAT 300A:2E _h PROFINET 2652
_CapEventCounters	Capture inputs 1 and 2 summary of event counters (DS402). This parameter contains the counted capture events. Bits 0 ... 3: _Cap1CntRise (lowest 4 bits) Bits 4 ... 7: _Cap1CntFall (lowest 4 bits) Bits 8 ... 11: _Cap2CntRise (lowest 4 bits) Bits 12 ... 15: _Cap2CntFall (lowest 4 bits) Available with firmware version \geq V01.16.	- - - -	UINT16 R/- - -	CANopen 300A:2F _h Modbus 2654 Profibus 2654 CIP 110.1.47 ModbusTCP 2654 EtherCAT 300A:2F _h PROFINET 2654

Relative Movement After Capture (RMAC)

Description

Relative Movement After Capture (RMAC) starts a relative movement via a signal input while another movement is running.

The target position and the velocity can be parameterized.



- 1 Movement with set operating mode (for example operating mode Profile Velocity)
- 2 Start of the relative movement after capture with the signal input function Start Signal Of RMAC
- 3a Relative movement after capture is performed with unchanged velocity
- 3b Relative movement after capture is performed with parameterized velocity
- 4 Target position reached

Availability

A Relative Movement After Capture (RMAC) can be started in the following operating modes:

- Jog
- Electronic Gear
- Profile Torque
- Profile Velocity
- Profile Position
- Motion Sequence (Move Absolute, Move Additive, Move Relative, Move Velocity and Gear)

Available with hardware version \geq RS03.

Signal Input Functions

In local control mode, the following signal input functions are required to start the relative movement:

Signal input function	Meaning	Activation
Activate RMAC	Activation of relative movement after capture	1 level
Start Signal Of RMAC	Start signal for relative movement	Adjustable via parameter <code>RMAC_Edge</code>
Activate Operating Mode	When the relative movement has terminated, the operating mode is resumed.	Rising edge

In fieldbus control mode, the signal input function "Start Signal Of RMAC" is required to start the relative movement.

The signal input functions must have been parameterized, see chapter Digital Inputs and Outputs ([see page 221](#)).

Status Indication

The status is available via a signal output or via the fieldbus.

In order to read the status via a signal output, you must first parameterize the signal output function "RMAC Active Or Finished", see chapter Digital Inputs and Outputs ([see page 221](#)).

In order to read the status via the fieldbus, you must set the status bits of the status parameters, see chapter Adjustable Bits of the Status Parameters ([see page 402](#)).

In addition, the status is available via the parameters `_RMAC_Status` and `_RMAC_DetailStatus`.

Parameter name HMI menu HMI name	Description	Unit Minimum value Factory setting Maximum value	Data type R/W Persistent Expert	Parameter address via fieldbus
_RMAC_Status	Status of relative movement after capture. 0 / Not Active: Not active 1 / Active Or Finished: Relative movement after capture is active or finished Available with firmware version \geq V01.10.	- 0 - 1	UINT16 R/- - -	CANopen 3023:11 _h Modbus 8994 Profibus 8994 CIP 135.1.17 ModbusTCP 8994 EtherCAT 3023:11 _h PROFINET 8994
_RMAC_DetailStatus	Detailed status of relative movement after capture (RMAC). 0 / Not Activated: Not activated 1 / Waiting: Waiting for capture signal 2 / Moving: Relative movement after capture running 3 / Interrupted: Relative movement after capture interrupted 4 / Finished: Relative movement after capture terminated Available with firmware version \geq V01.16.	- - - -	UINT16 R/- - -	CANopen 3023:12 _h Modbus 8996 Profibus 8996 CIP 135.1.18 ModbusTCP 8996 EtherCAT 3023:12 _h PROFINET 8996

Activates Relative Movement After Capture

Relative Movement After Capture (RMAC) must be activated before it can be started.

In local control mode, Relative Movement After Capture is activated via the signal input function "Activate RMAC".

In fieldbus control mode, Relative Movement After Capture (RMAC) is activated via the following parameters:

Parameter name HMI menu HMI name	Description	Unit Minimum value Factory setting Maximum value	Data type R/W Persistent Expert	Parameter address via fieldbus
RMAC_Activate	Activation of relative movement after capture. 0 / Off: Off 1 / On: On Modified settings become active immediately. Available with firmware version \geq V01.10.	- 0 0 1	UINT16 R/W - -	CANopen 3023:C _h Modbus 8984 Profibus 8984 CIP 135.1.12 ModbusTCP 8984 EtherCAT 3023:C _h PROFINET 8984

In fieldbus control mode, it is also possible to activate relative Movement After Capture (RMAC) via the signal input function "Activate RMAC".

Target Values

The target position and the velocity for the relative movement are set via the following parameters.

Parameter name HMI menu HMI name	Description	Unit Minimum value Factory setting Maximum value	Data type R/W Persistent Expert	Parameter address via fieldbus
RMAC_Position	Target position of relative movement after capture. Minimum/maximum values depend on: - Scaling factor Modified settings become active the next time the motor moves. Available with firmware version \geq V01.10.	usr_p - 0 -	INT32 R/W per. -	CANopen 3023:D _h Modbus 8986 Profibus 8986 CIP 135.1.13 ModbusTCP 8986 EtherCAT 3023:D _h PROFINET 8986

Parameter name HMI menu HMI name	Description	Unit Minimum value Factory setting Maximum value	Data type R/W Persistent Expert	Parameter address via fieldbus
RMAC_Velocity	Velocity of relative movement after capture. Value 0: Use actual motor velocity Value >0: Value is the target velocity The adjustable value is internally limited to the setting in RAMP_v_max. Modified settings become active the next time the motor moves. Available with firmware version ≥V01.10.	usr_v 0 0 2147483647	UINT32 R/W per. -	CANopen 3023:E _h Modbus 8988 Profibus 8988 CIP 135.1.14 ModbusTCP 8988 EtherCAT 3023:E _h PROFINET 8988

Edge for the Start Signal

The edge which is to trigger the relative movement is set via the following parameter.

Parameter name HMI menu HMI name	Description	Unit Minimum value Factory setting Maximum value	Data type R/W Persistent Expert	Parameter address via fieldbus
RMAC_Edge	Edge of capture signal for relative movement after capture. 0 / Falling edge: Falling edge 1 / Rising edge: Rising edge Available with firmware version ≥V01.10.	- 0 0 1	UINT16 R/W per. -	CANopen 3023:10 _h Modbus 8992 Profibus 8992 CIP 135.1.16 ModbusTCP 8992 EtherCAT 3023:10 _h PROFINET 8992

Response to Overtravelling of the Target Position

Depending on the set velocity, target position and deceleration ramp, the target position may be overtraveled.

The response to overtravelling of the target position is set via the following parameter.

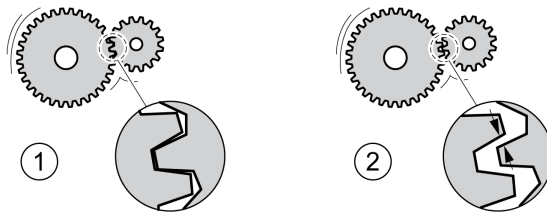
Parameter name HMI menu HMI name	Description	Unit Minimum value Factory setting Maximum value	Data type R/W Persistent Expert	Parameter address via fieldbus
RMAC_Response	Response if target position is overtraveled. 0 / Error Class 1: Error class 1 1 / No Movement To Target Position: No movement to target position 2 / Movement To Target Position: Movement to target position Modified settings become active immediately. Available with firmware version ≥V01.10.	- 0 0 2	UINT16 R/W per. -	CANopen 3023:F _h Modbus 8990 Profibus 8990 CIP 135.1.15 ModbusTCP 8990 EtherCAT 3023:F _h PROFINET 8990

Backlash Compensation

Description

By setting backlash compensation, you can compensate for mechanical backlash.

Example of mechanical backlash



- 1 Example of low mechanical backlash
- 2 Example of high mechanical backlash

When backlash compensation is activated, the drive automatically compensates for the mechanical backlash during each movement.

Availability

Available with firmware version $\geq V01.14$.

Backlash compensation is possible in the following operating modes:

- Jog
- Electronic Gear (position synchronization)
- Profile Position
- Interpolated Position
- Homing
- Motion Sequence (Move Absolute, Move Additive, Move Relative, Reference Movement and Gear)

Parameterization

To use backlash compensation, you must set the amount of backlash.

The parameter `BLSH_Position` lets you set the amount of backlash in user-defined units.

Parameter name HMI menu HMI name	Description	Unit Minimum value Factory setting Maximum value	Data type R/W Persistent Expert	Parameter address via fieldbus
<code>BLSH_Position</code>	Position value for backlash compensation. Setting can only be modified if power stage is disabled. Modified settings become active the next time the power stage is enabled. Available with firmware version $\geq V01.14$.	<code>usr_p</code> 0 0 2147483647	INT32 R/W per. -	CANopen 3006:42 _h Modbus 1668 Profibus 1668 CIP 106.1.66 ModbusTCP 1668 EtherCAT 3006:42 _h PROFINET 1668

In addition, you can set a processing time. The processing time specifies the period of time during which the mechanical backlash is to be compensated for.

The parameter `BLSH_Time` lets you set the processing time in ms.

Parameter name HMI menu HMI name	Description	Unit Minimum value Factory setting Maximum value	Data type R/W Persistent Expert	Parameter address via fieldbus
BLSH_Time	Processing time for backlash compensation. Value 0: Immediate backlash compensation Value >0: Processing time for backlash compensation Setting can only be modified if power stage is disabled. Modified settings become active the next time the power stage is enabled. Available with firmware version ≥V01.14.	ms 0 0 16383	UINT16 R/W per. -	CANopen 3006:44 _h Modbus 1672 Profibus 1672 CIP 106.1.68 ModbusTCP 1672 EtherCAT 3006:44 _h PROFINET 1672

Activating Backlash Compensation

Before you can activate backlash compensation, there must be a movement in positive or negative direction. Backlash compensation is activated with the parameter `BLSH_Mode`.

- Start a movement in positive direction or in negative direction. This movement must last as long as it takes to move the mechanical system connected to the motor.
- If the movement was in positive direction (positive target values), activate backlash compensation with the value "OnAfterPositiveMovement".
- If the movement was in negative direction (negative target values), activate backlash compensation with the value "OnAfterNegativeMovement".

Parameter name HMI menu HMI name	Description	Unit Minimum value Factory setting Maximum value	Data type R/W Persistent Expert	Parameter address via fieldbus
BLSH_Mode	Processing mode of backlash compensation. 0 / Off: Backlash compensation is off 1 / OnAfterPositiveMovement: Backlash compensation is on, last movement was in positive direction 2 / OnAfterNegativeMovement: Backlash compensation is on, last movement was in negative direction Modified settings become active immediately. Available with firmware version ≥V01.14.	- 0 0 2	UINT16 R/W per. -	CANopen 3006:41 _h Modbus 1666 Profibus 1666 CIP 106.1.65 ModbusTCP 1666 EtherCAT 3006:41 _h PROFINET 1666

Section 8.2

Functions for Monitoring Movements

What Is in This Section?

This section contains the following topics:

Topic	Page
Limit Switches	377
Reference Switch	378
Software Limit Switches	379
Load-Dependent Position Deviation (Following Error)	381
Load-Dependent Velocity Deviation	383
Motor Standstill and Direction of Movement	385
Torque Window	386
Velocity Window	387
Standstill Window	388
Position Register	390
Position Deviation Window	395
Velocity Deviation Window	397
Velocity Threshold Value	399
Current Threshold Value	400
Adjustable Bits of the Status Parameters	402

Limit Switches

Description

The use of limit switches can help protect against some hazards (for example, collision with mechanical stop caused by incorrect reference values).

⚠ WARNING

LOSS OF CONTROL

- Ensure that limit switches are installed as determined by your risk assessment.
- Verify correct connection of the limit switches.
- Verify that the limit switches are sufficiently distant from the mechanical end to allow an adequate stopping distance.
- Verify correct parameterization and function of the limit switches.

Failure to follow these instructions can result in death, serious injury, or equipment damage.

Movements can be monitored using limit switches. A positive limit switch and a negative limit switch can be used for monitoring.

If the positive or negative limit switch are tripped, the movement stops. An error message is generated and the operating state switches to **7 Quick Stop Active**.

The error message can be reset by means of a "Fault Reset". The operating state switches back to **6 Operation Enabled**.

The movement can continue, however, only in the opposite direction. For example, if the positive limit switch was triggered, further movement is only possible in negative direction. In the case of further movement in positive direction, a new error message is generated and the operating state switches back to **7 Quick Stop Active**.

The parameters `IOsigLIMP` and `IOsigLIMN` are used to set the type of limit switch.

Parameter name HMI menu HMI name	Description	Unit Minimum value Factory setting Maximum value	Data type R/W Persistent Expert	Parameter address via fieldbus
IOsigLIMP	Signal evaluation for positive limit switch. 0 / Inactive: Inactive 1 / Normally Closed: Normally closed NC 2 / Normally Open: Normally open NO Setting can only be modified if power stage is disabled. Modified settings become active the next time the power stage is enabled.	- 0 1 2	UINT16 R/W per. -	CANopen 3006:10 _h Modbus 1568 Profibus 1568 CIP 106.1.16 ModbusTCP 1568 EtherCAT 3006:10 _h PROFINET 1568
IOsigLIMN	Signal evaluation for negative limit switch. 0 / Inactive: Inactive 1 / Normally Closed: Normally closed NC 2 / Normally Open: Normally open NO Setting can only be modified if power stage is disabled. Modified settings become active the next time the power stage is enabled.	- 0 1 2	UINT16 R/W per. -	CANopen 3006:F _h Modbus 1566 Profibus 1566 CIP 106.1.15 ModbusTCP 1566 EtherCAT 3006:F _h PROFINET 1566

The signal input functions "Positive Limit Switch (LIMP)" and "Negative Limit Switch (LIMN)" must have been parameterized, see chapter Digital Inputs and Outputs ([see page 221](#)).

Reference Switch

Description

The reference switch is only active in the operating mode Homing and in the operating mode Motion Sequence (Reference Movement).

The parameter `IOsigREF` lets you set the type of reference switch.

Parameter name HMI menu HMI name	Description	Unit Minimum value Factory setting Maximum value	Data type R/W Persistent Expert	Parameter address via fieldbus
<code>IOsigREF</code>	<p>Signal evaluation for reference switch.</p> <p>1 / Normally Closed: Normally closed NC</p> <p>2 / Normally Open: Normally open NO</p> <p>The reference switch is only active while a reference movement to the reference switch is processed. Setting can only be modified if power stage is disabled.</p> <p>Modified settings become active the next time the power stage is enabled.</p>	- 1 1 2	UINT16 R/W per. -	CANopen 3006:E _h Modbus 1564 Profibus 1564 CIP 106.1.14 ModbusTCP 1564 EtherCAT 3006:E _h PROFINET 1564

The signal input function "Reference Switch (REF)" must have been parameterized, see chapter Digital Inputs and Outputs ([see page 221](#)).

Software Limit Switches

Description

Movements can be monitored using software limit switches. A positive position limit and a negative position limit can be set for monitoring.

If the positive or negative position limit switch are reached, the movement stops. An error message is generated and the operating state switches to **7 Quick Stop Active**.

The error message can be reset by means of a "Fault Reset". The operating state switches back to **6 Operation Enabled**.

The movement can continue, however, only in the opposite direction of the position limit. For example, if the positive position limit was reached, further movement is only possible in negative direction. In the case of further movement in positive direction, a new error message is generated and the operating state switches back to **7 Quick Stop Active**.

Prerequisite

Software limit switch monitoring only works with a valid zero point, see chapter Size of the Movement Range (*see page 204*).

Behavior in Operating Modes with Target Positions

In operating modes with target positions, the movement is started even if the target position is beyond the positive position limit or the negative position limit. The movement is stopped so that the motor comes to a standstill at the position limit. After standstill, the drive transitions to the operating state Quick Stop Active.

In the following operating modes, the target position is verified prior to the start of a movement so that the position limit is not exceeded regardless of the target position.

- Jog (step movement)
- Profile Position
- Motion Sequence (Move Absolute, Move Additive and Move Relative)

Behavior in Operating Modes Without Target Positions

In the following operating modes, a Quick Stop is triggered at the position limit.

- Jog (continuous movement)
- Electronic Gear
- Profile Torque
- Profile Velocity
- Motion Sequence (Move Velocity and Gear)

As of firmware version $\geq V01.16$, you can use the parameter `MON_SWLimMode` to set the behavior for approaching a position limit.

Parameter name HMI menu HMI name	Description	Unit Minimum value Factory setting Maximum value	Data type R/W Persistent Expert	Parameter address via fieldbus
MON_SWLimMode	Behavior when position limit is reached. 0 / Standstill Behind Position Limit: Quick Stop is triggered at position limit and standstill is reached behind position limit 1 / Standstill At Position Limit: Quick Stop is triggered in front of position limit and standstill is reached at position limit Modified settings become active immediately. Available with firmware version $\geq V01.16$.	- 0 0 1	UINT16 R/W per. -	CANopen 3006:47 _h Modbus 1678 Profibus 1678 CIP 106.1.71 ModbusTCP 1678 EtherCAT 3006:47 _h PROFINET 1678

Standstill at the position limit in operating modes without target position requires the parameter `LIM_QStopReact` to be set to "Deceleration ramp (Quick Stop)", see chapter Stop Movement with Quick Stop (*see page 352*). If the parameter `LIM_QStopReact` is set to "Torque ramp (Quick Stop)", the movement may come to a standstill in front of or behind the position limit due to different loads.

Activation

The software limit switches are activated via the parameter `MON_SW_Limits`.

Parameter name HMI menu HMI name	Description	Unit Minimum value Factory setting Maximum value	Data type R/W Persistent Expert	Parameter address via fieldbus
MON_SW_Limits	<p>Activation of software limit switches.</p> <p>0 / None: Deactivated</p> <p>1 / SWLIMP: Activation of software limit switches positive direction</p> <p>2 / SWLIMN: Activation of software limit switches negative direction</p> <p>3 / SWLIMP+SWLIMN: Activation of software limit switches both directions</p> <p>Software limit switches can only be activated if the zero point is valid.</p> <p>Modified settings become active immediately.</p>	- 0 0 3	UINT16 R/W per. -	CANopen 3006:3 _h Modbus 1542 Profibus 1542 CIP 106.1.3 ModbusTCP 1542 EtherCAT 3006:3 _h PROFINET 1542

Setting Position Limits

The software limit switches are set via the parameters MON_swLimP and MON_swLimN.

Parameter name HMI menu HMI name	Description	Unit Minimum value Factory setting Maximum value	Data type R/W Persistent Expert	Parameter address via fieldbus
MON_swLimP	<p>Positive position limit for software limit switch.</p> <p>If a user-defined value entered is outside of the permissible range, the limit switch limits are automatically set to the maximum user-defined value.</p> <p>Setting can only be modified if power stage is disabled.</p> <p>Modified settings become active the next time the power stage is enabled.</p>	usr_p - 2147483647 -	INT32 R/W per. -	CANopen 607D:2 _h Modbus 1544 Profibus 1544 CIP 106.1.4 ModbusTCP 1544 EtherCAT 607D:2 _h PROFINET 1544
MON_swLimN	<p>Negative position limit for software limit switch.</p> <p>See description 'MON_swLimP'.</p> <p>Setting can only be modified if power stage is disabled.</p> <p>Modified settings become active the next time the power stage is enabled.</p>	usr_p - -2147483648 -	INT32 R/W per. -	CANopen 607D:1 _h Modbus 1546 Profibus 1546 CIP 106.1.5 ModbusTCP 1546 EtherCAT 607D:1 _h PROFINET 1546

Load-Dependent Position Deviation (Following Error)

Description

The load-dependent position deviation is the difference between the reference position and the actual position caused by the load inertia.

Parameters are available to read the load-dependent position deviation during operation and the maximum position deviation reached so far.

The maximum permissible load-dependent position deviation can be parameterized. In addition, you can set the error class.

Availability

Monitoring of the load-dependent position deviation is available in the following operating modes:

- Jog
- Electronic Gear (position synchronization)
- Profile Position
- Homing
- Motion Sequence (Move Absolute, Move Additive, Move Relative and Reference Movement)

Reading the Position Deviation

The following parameters let you read the load-dependent position deviation in user-defined units or revolutions.

Parameter name HMI menu HMI name	Description	Unit Minimum value Factory setting Maximum value	Data type R/W Persistent Expert	Parameter address via fieldbus
_p_dif_load_usr	Load-dependent position deviation between reference and actual positions. The load-dependent position deviation is the difference between the reference position and the actual position caused by the load. This value is used for following error monitoring. Available with firmware version ≥V01.03.	usr_p -2147483648 - 2147483647	INT32 R/- - -	CANopen 301E:16 _h Modbus 7724 Profibus 7724 CIP 130.1.22 ModbusTCP 7724 EtherCAT 301E:16 _h PROFINET 7724

The following parameters let you read the maximum value of the load-dependent position deviation reached so far in user-defined units or revolutions.

Parameter name HMI menu HMI name	Description	Unit Minimum value Factory setting Maximum value	Data type R/W Persistent Expert	Parameter address via fieldbus
_p_dif_load_peak_usr	Maximum value of the load-dependent position deviation. This parameter contains the maximum load-dependent position deviation reached so far. A write access resets this value. Modified settings become active immediately. Available with firmware version ≥V01.03.	usr_p 0 - 2147483647	INT32 R/W - -	CANopen 301E:15 _h Modbus 7722 Profibus 7722 CIP 130.1.21 ModbusTCP 7722 EtherCAT 301E:15 _h PROFINET 7722

Setting the Position Deviation

The following parameter lets you set the threshold for the maximum load-dependent position deviation that is to trigger an error of error class 0.

Parameter name HMI menu HMI name	Description	Unit Minimum value Factory setting Maximum value	Data type R/W Persistent Expert	Parameter address via fieldbus
MON_p_dif_warn	Advisory limit of the load-dependent position deviation (error class 0). 100.0 % correspond to the maximum position deviation (following error) as specified by means of parameter MON_p_dif_load. Modified settings become active immediately.	% 0 75 100	UINT16 R/W per. -	CANopen 3006:29 _h Modbus 1618 Profibus 1618 CIP 106.1.41 ModbusTCP 1618 EtherCAT 3006:29 _h PROFINET 1618

The following parameters let you set the maximum load-dependent position deviation at which a movement is canceled with an error of error classes 1, 2, or 3.

Parameter name HMI menu HMI name	Description	Unit Minimum value Factory setting Maximum value	Data type R/W Persistent Expert	Parameter address via fieldbus
MON_p_dif_load_us r	Maximum load-dependent position deviation. The load-dependent position deviation is the difference between the reference position and the actual position caused by the load. The minimum value, the factory setting and the maximum value depend on the scaling factor. Modified settings become active immediately. Available with firmware version ≥V01.03.	usr_p 1 16384 2147483647	INT32 R/W per. -	CANopen 3006:3E _h Modbus 1660 Profibus 1660 CIP 106.1.62 ModbusTCP 1660 EtherCAT 3006:3E _h PROFINET 1660

Setting the Error Class

The following parameter lets you set the error class for an excessively high load-dependent position deviation.

Parameter name HMI menu HMI name	Description	Unit Minimum value Factory setting Maximum value	Data type R/W Persistent Expert	Parameter address via fieldbus
ErrorResp_p_dif	Error response to excessively high load-dependent position deviation. 1 / Error Class 1: Error class 1 2 / Error Class 2: Error class 2 3 / Error Class 3: Error class 3 Setting can only be modified if power stage is disabled. Modified settings become active the next time the power stage is enabled.	- 1 3 3	UINT16 R/W per. -	CANopen 3005:B _h Modbus 1302 Profibus 1302 CIP 105.1.11 ModbusTCP 1302 EtherCAT 3005:B _h PROFINET 1302

Load-Dependent Velocity Deviation

Description

The load-dependent velocity deviation is the difference between the reference velocity and the actual velocity caused by the load.

The maximum permissible load-dependent velocity deviation can be parameterized. In addition, you can set the error class.

Availability

Monitoring of the load-dependent velocity deviation is available in the following operating modes:

- Electronic Gear (velocity synchronization)
- Profile Velocity

Reading the Velocity Deviation

The following parameters let you read the load-dependent velocity deviation in user-defined units.

Parameter name HMI menu HMI name	Description	Unit Minimum value Factory setting Maximum value	Data type R/W Persistent Expert	Parameter address via fieldbus
_v_dif_usr	Load-dependent velocity deviation. The load-dependent velocity deviation is the difference between reference velocity and actual velocity. Available with firmware version $\geq V01.26$.	usr_v -2147483648 - 2147483647	INT32 R/- - -	CANopen 301E:2C _h Modbus 7768 Profibus 7768 CIP 130.1.44 ModbusTCP 7768 EtherCAT 301E:2C _h PROFINET 7768

Setting the Velocity Deviation

The following parameters let you specify the size of the window for the maximum load-dependent velocity deviation at which a movement is canceled.

Parameter name HMI menu HMI name	Description	Unit Minimum value Factory setting Maximum value	Data type R/W Persistent Expert	Parameter address via fieldbus
MON_VelDiff	Maximum load-dependent velocity deviation. Value 0: Monitoring deactivated. Value >0: Maximum value Modified settings become active immediately. Available with firmware version $\geq V01.26$.	usr_v 0 0 2147483647	UINT32 R/W per. -	CANopen 3006:4B _h Modbus 1686 Profibus 1686 CIP 106.1.75 ModbusTCP 1686 EtherCAT 3006:4B _h PROFINET 1686
MON_VelDiff_Time	Time window for maximum load-dependent velocity deviation. Value 0: Monitoring deactivated. Value >0: Time window for maximum value Modified settings become active immediately. Available with firmware version $\geq V01.26$.	ms 0 10 -	UINT16 R/W per. -	CANopen 3006:4C _h Modbus 1688 Profibus 1688 CIP 106.1.76 ModbusTCP 1688 EtherCAT 3006:4C _h PROFINET 1688

Setting the Error Class

The following parameter lets you set the error class for an excessively high load-dependent velocity deviation.

Parameter name HMI menu HMI name	Description	Unit Minimum value Factory setting Maximum value	Data type R/W Persistent Expert	Parameter address via fieldbus
ErrorResp_v_dif	Error response to excessively high load-dependent velocity deviation. 1 / Error Class 1: Error class 1 2 / Error Class 2: Error class 2 3 / Error Class 3: Error class 3 Setting can only be modified if power stage is disabled. Modified settings become active the next time the power stage is enabled. Available with firmware version \geq V01.26.	- 1 3 3	UINT16 R/W per. -	CANopen 3005:3C _h Modbus 1400 Profibus 1400 CIP 105.1.60 ModbusTCP 1400 EtherCAT 3005:3C _h PROFINET 1400

Motor Standstill and Direction of Movement

Availability

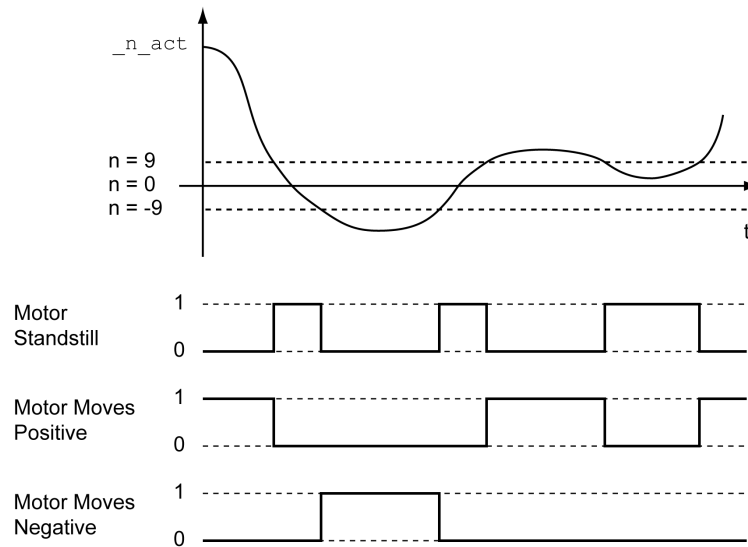
Monitoring depends on the firmware version

- Motor standstill: Available with firmware version $\geq V01.00$.
- Direction of movement: Available with firmware version $\geq V01.14$.

Description

The status of a movement can be monitored. You can determine whether the motor is at a standstill or whether it moves in a specific direction.

A velocity of <9 RPM is interpreted as standstill.



The status is available via signal outputs. In order to read the status, you must first parameterize the signal output functions "Motor Standstill", "Motor Moves Positive" or "Motor Moves Negative", see chapter Digital Inputs and Outputs ([see page 221](#)).

Torque Window

Description

The torque window allows you to monitor whether the motor has reached the target torque.

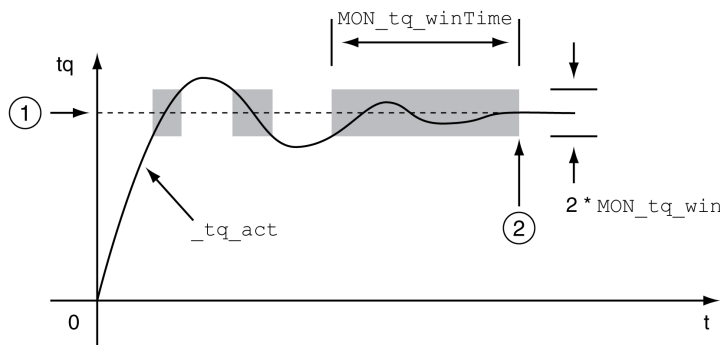
If the difference between the target torque and the actual torque remains in the torque window for the time `MON_tq_winTime`, the target torque is considered to have been reached.

Availability

The torque window is available in the following operating modes.

- Profile Torque

Settings



- 1 Target torque
- 2 Target torque reached (the actual torque did not exceed the permissible deviation `MON_tq_win` during time `MON_tq_winTime`).

The parameters `MON_tq_win` and `MON_tq_winTime` specify the size of the window.

Parameter name HMI menu HMI name	Description	Unit Minimum value Factory setting Maximum value	Data type R/W Persistent Expert	Parameter address via fieldbus
<code>MON_tq_win</code>	Torque window, permissible deviation. The torque window can only be activated in operating mode Profile Torque. In increments of 0.1 %. Modified settings become active immediately.	% 0.0 3.0 3000.0	UINT16 R/W per. -	CANopen 3006:2D _h Modbus 1626 Profibus 1626 CIP 106.1.45 ModbusTCP 1626 EtherCAT 3006:2D _h PROFINET 1626
<code>MON_tq_winTime</code>	Torque window, time. Value 0: Torque window monitoring deactivated Changing the value causes a restart of torque monitoring. Torque window is only used in operating mode Profile Torque. Modified settings become active immediately.	ms 0 0 16383	UINT16 R/W per. -	CANopen 3006:2E _h Modbus 1628 Profibus 1628 CIP 106.1.46 ModbusTCP 1628 EtherCAT 3006:2E _h PROFINET 1628

Velocity Window

Description

The velocity window allows you to monitor whether the motor has reached the target velocity.

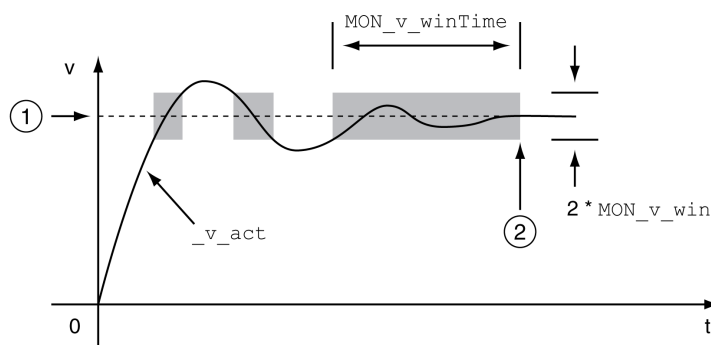
If the difference between the target velocity and the actual velocity remains in the velocity window for the time `MON_v_winTime`, the target velocity is considered to have been reached.

Availability

The velocity window is available in the following operating modes.

- Electronic Gear (velocity synchronization)
- Profile Velocity

Settings



- 1 Target velocity
- 2 Target velocity reached (the target velocity did not exceed the permissible deviation `MON_v_win` during time `MON_v_winTime`).

The parameters `MON_v_win` and `MON_v_winTime` specify the size of the window.

Parameter name HMI menu HMI name	Description	Unit Minimum value Factory setting Maximum value	Data type R/W Persistent Expert	Parameter address via fieldbus
<code>MON_v_win</code>	Velocity window, permissible deviation. Modified settings become active immediately. * Datatype for CANopen: UINT16	usr_v 1 10 2147483647	UINT32* R/W per. -	CANopen 606D:0h Modbus 1576 Profibus 1576 CIP 106.1.20 ModbusTCP 1576 EtherCAT 606D:0h PROFINET 1576
<code>MON_v_winTime</code>	Velocity window, time. Value 0: Velocity window monitoring deactivated Changing the value causes a restart of velocity monitoring. Modified settings become active immediately.	ms 0 0 16383	UINT16 R/W per. -	CANopen 606E:0h Modbus 1578 Profibus 1578 CIP 106.1.21 ModbusTCP 1578 EtherCAT 606E:0h PROFINET 1578

Standstill Window

Description

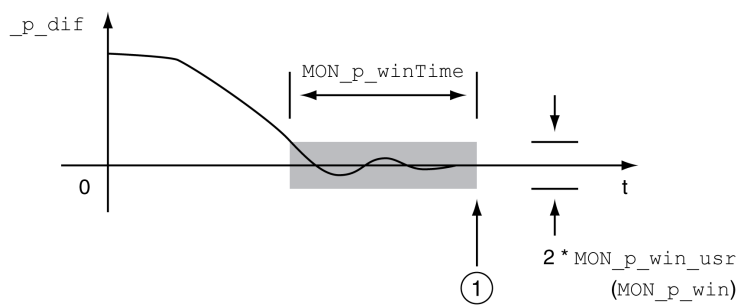
The standstill window allows you to monitor whether the motor has reached the target position. If the difference between the target position and the actual position remains in the standstill window for the time `MON_p_winTime`, the target position is considered to have been reached.

Availability

The standstill window is available in the following operating modes.

- Jog (step movement)
- Profile Position
- Homing
- Motion Sequence (Move Absolute, Move Additive, Move Relative and Reference Movement)

Settings



- 1 Target position reached (the actual position did not exceed the permissible deviation `MON_p_win_usr` during time `MON_p_winTime`).

The parameters `MON_p_win_usr` (`MON_p_win`) and `MON_p_winTime` specify the size of the window.

The parameter `MON_p_winTout` can be used to set the period of time after which a detected error is signaled if the standstill window was not reached.

Parameter name HMI menu HMI name	Description	Unit Minimum value Factory setting Maximum value	Data type R/W Persistent Expert	Parameter address via fieldbus
<code>MON_p_win_usr</code>	Standstill window, permissible control deviation. The control deviation for the standstill window time must be within this range for a standstill of the drive to be detected. Processing of the standstill window must be activated via the parameter <code>MON_p_winTime</code> . The minimum value, the factory setting and the maximum value depend on the scaling factor. Modified settings become active immediately. Available with firmware version $\geq V01.03$.	<code>usr_p</code> 0 16 2147483647	INT32 R/W per. -	CANopen 3006:40 _h Modbus 1664 Profibus 1664 CIP 106.1.64 ModbusTCP 1664 EtherCAT 3006:40 _h PROFINET 1664

Parameter name HMI menu HMI name	Description	Unit Minimum value Factory setting Maximum value	Data type R/W Persistent Expert	Parameter address via fieldbus
MON_p_win	<p>Standstill window, permissible control deviation. The control deviation for the standstill window time must be within this range for a standstill of the drive to be detected.</p> <p>Processing of the standstill window must be activated via the parameter MON_p_winTime.</p> <p>The parameter MON_p_win_usr allows you to enter the value in user-defined units. In increments of 0.0001 revolution. Modified settings become active immediately. * Datatype for CANopen: UINT32</p>	revolution 0.0000 0.0010 3.2767	UINT16* R/W per. -	CANopen 6067:0 _h Modbus 1608 Profibus 1608 CIP 106.1.36 ModbusTCP 1608 EtherCAT 6067:0 _h PROFINET 1608
MON_p_winTime	<p>Standstill window, time. Value 0: Monitoring of standstill window deactivated Value >0: Time in ms during which the control deviation must be in the standstill window Modified settings become active immediately.</p>	ms 0 0 32767	UINT16 R/W per. -	CANopen 6068:0 _h Modbus 1610 Profibus 1610 CIP 106.1.37 ModbusTCP 1610 EtherCAT 6068:0 _h PROFINET 1610
MON_p_winTout	<p>Timeout time for standstill window monitoring. Value 0: Timeout monitoring deactivated Value >0: Timeout time in ms</p> <p>Standstill window processing values are set via MON_p_win and MON_p_winTime.</p> <p>Time monitoring starts when the target position (reference position of position controller) is reached or when the profile generator has finished processing. Modified settings become active immediately.</p>	ms 0 0 16000	UINT16 R/W per. -	CANopen 3006:26 _h Modbus 1612 Profibus 1612 CIP 106.1.38 ModbusTCP 1612 EtherCAT 3006:26 _h PROFINET 1612

Position Register

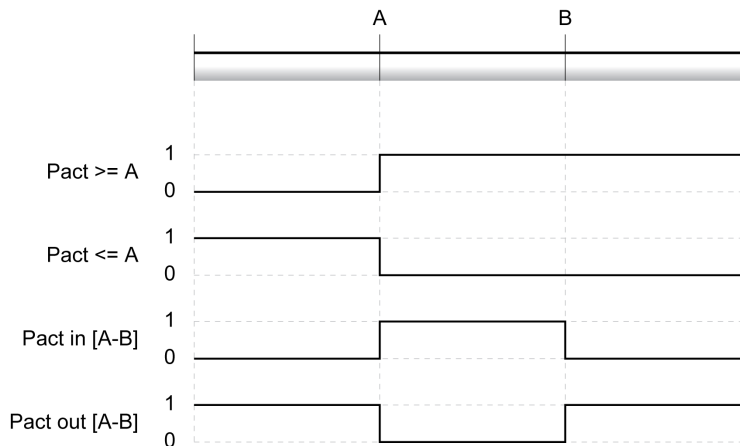
Description

The position register allows you to monitor whether the motor is within a parameterizable position range.

A movement can be monitored using one of 4 methods:

- The motor position is greater than or equal to comparison value A.
- The motor position is less than or equal to comparison value A.
- The motor position is within the range between comparison value A and comparison value B.
- The motor position is outside the range between comparison value A and comparison value B.

Separate channels are available for monitoring.



Number of Channels

The number of channels depends on the firmware version:

- 4 channels (with firmware version $\geq V01.04$)
- 2 channels (with firmware version $< V01.04$)

Status Messages

The status of the position register is available via the parameter `_PosRegStatus`.

Parameter name HMI menu HMI name	Description	Unit Minimum value Factory setting Maximum value	Data type R/W Persistent Expert	Parameter address via fieldbus
<code>_PosRegStatus</code>	Status of the position register channels. Signal state: 0: Comparison criterion not met 1: Comparison criterion met Bit assignments: Bit 0: State of position register channel 1 Bit 1: State of position register channel 2 Bit 2: State of position register channel 3 Bit 3: State of position register channel 4	- - -	UINT16 R/- -	CANopen 300B:1 _h Modbus 2818 Profibus 2818 CIP 111.1.1 ModbusTCP 2818 EtherCAT 300B:1 _h PROFINET 2818

In addition, the status is available via signal outputs. In order to read the status via the signal outputs, you must first parameterize the signal output function "Position Register Channel 1", "Position Register Channel 2", "Position Register Channel 3" and "Position Register Channel 4", see chapter Digital Inputs and Outputs ([see page 221](#)).

Starting the Position Registers

The channels of the position registers are started via the following parameters.

Parameter name HMI menu HMI name	Description	Unit Minimum value Factory setting Maximum value	Data type R/W Persistent Expert	Parameter address via fieldbus
PosReg1Start	Start/stop of position register channel 1. 0 / Off (keep last state): Position Register channel 1 is off and status bit keeps last state 1 / On: Position Register channel 1 is on 2 / Off (set state 0): Position Register channel 1 is off and status bit is set to 0 3 / Off (set state 1): Position Register channel 1 is off and status bit is set to 1 Modified settings become active immediately.	- 0 0 3	UINT16 R/W - -	CANopen 300B:2 _h Modbus 2820 Profibus 2820 CIP 111.1.2 ModbusTCP 2820 EtherCAT 300B:2 _h PROFINET 2820
PosReg2Start	Start/stop of position register channel 2. 0 / Off (keep last state): Position Register channel 2 is off and status bit keeps last state 1 / On: Position Register channel 2 is on 2 / Off (set state 0): Position Register channel 2 is off and status bit is set to 0 3 / Off (set state 1): Position Register channel 2 is off and status bit is set to 1 Modified settings become active immediately.	- 0 0 3	UINT16 R/W - -	CANopen 300B:3 _h Modbus 2822 Profibus 2822 CIP 111.1.3 ModbusTCP 2822 EtherCAT 300B:3 _h PROFINET 2822
PosReg3Start	Start/stop of position register channel 3. 0 / Off (keep last state): Position Register channel 3 is off and status bit keeps last state 1 / On: Position Register channel 3 is on 2 / Off (set state 0): Position Register channel 3 is off and status bit is set to 0 3 / Off (set state 1): Position Register channel 3 is off and status bit is set to 1 Modified settings become active immediately. Available with firmware version ≥V01.04.	- 0 0 3	UINT16 R/W - -	CANopen 300B:C _h Modbus 2840 Profibus 2840 CIP 111.1.12 ModbusTCP 2840 EtherCAT 300B:C _h PROFINET 2840
PosReg4Start	Start/stop of position register channel 4. 0 / Off (keep last state): Position Register channel 4 is off and status bit keeps last state 1 / On: Position Register channel 4 is on 2 / Off (set state 0): Position Register channel 4 is off and status bit is set to 0 3 / Off (set state 1): Position Register channel 4 is off and status bit is set to 1 Modified settings become active immediately. Available with firmware version ≥V01.04.	- 0 0 3	UINT16 R/W - -	CANopen 300B:D _h Modbus 2842 Profibus 2842 CIP 111.1.13 ModbusTCP 2842 EtherCAT 300B:D _h PROFINET 2842
PosRegGroupStart	Start/stop of position register channels. 0 / No Channel: No channel activated 1 / Channel 1: Channel 1 activated 2 / Channel 2: Channel 2 activated 3 / Channel 1 & 2: Channels 1 and 2 activated 4 / Channel 3: Channel 3 activated 5 / Channel 1 & 3: Channels 1 and 3 activated 6 / Channel 2 & 3: Channels 2 and 3 activated 7 / Channel 1 & 2 & 3: Channels 1, 2 and 3 activated 8 / Channel 4: Channel 4 activated 9 / Channel 1 & 4: Channels 1 and 4 activated 10 / Channel 2 & 4: Channels 2 and 4 activated 11 / Channel 1 & 2 & 4: Channels 1, 2 and 4 activated 12 / Channel 3 & 4: Channels 3 and 4 activated 13 / Channel 1 & 3 & 4: Channels 1, 3 and 4 activated 14 / Channel 2 & 3 & 4: Channels 2, 3 and 4 activated 15 / Channel 1 & 2 & 3 & 4: Channels 1, 2, 3 and 4 activated Modified settings become active immediately. Available with firmware version ≥V01.14.	- 0 0 15	UINT16 R/W per. -	CANopen 300B:16 _h Modbus 2860 Profibus 2860 CIP 111.1.22 ModbusTCP 2860 EtherCAT 300B:16 _h PROFINET 2860

Setting the Source

The source of the comparison criterion is set via the following parameters.

Parameter name HMI menu HMI name	Description	Unit Minimum value Factory setting Maximum value	Data type R/W Persistent Expert	Parameter address via fieldbus
PosReg1Source	Selection of source for position register channel 1. 0 / Pact Encoder 1: Source for position register channel 1 is Pact of encoder 1 1 / Pact Encoder 2: Source for position register channel 1 is Pact of encoder 2 (module) Modified settings become active immediately.	- 0 0 1	UINT16 R/W per. -	CANopen 300B:6 _h Modbus 2828 Profibus 2828 CIP 111.1.6 ModbusTCP 2828 EtherCAT 300B:6 _h PROFINET 2828
PosReg2Source	Selection of source for position register channel 2. 0 / Pact Encoder 1: Source for position register channel 2 is Pact of encoder 1 1 / Pact Encoder 2: Source for position register channel 2 is Pact of encoder 2 (module) Modified settings become active immediately.	- 0 0 1	UINT16 R/W per. -	CANopen 300B:7 _h Modbus 2830 Profibus 2830 CIP 111.1.7 ModbusTCP 2830 EtherCAT 300B:7 _h PROFINET 2830
PosReg3Source	Selection of source for position register channel 3. 0 / Pact Encoder 1: Source for position register channel 3 is Pact of encoder 1 1 / Pact Encoder 2: Source for position register channel 3 is Pact of encoder 2 (module) Modified settings become active immediately. Available with firmware version ≥V01.04.	- 0 0 1	UINT16 R/W per. -	CANopen 300B:10 _h Modbus 2848 Profibus 2848 CIP 111.1.16 ModbusTCP 2848 EtherCAT 300B:10 _h PROFINET 2848
PosReg4Source	Selection of source for position register channel 4. 0 / Pact Encoder 1: Source for position register channel 4 is Pact of encoder 1 1 / Pact Encoder 2: Source for position register channel 4 is Pact of encoder 2 (module) Modified settings become active immediately. Available with firmware version ≥V01.04.	- 0 0 1	UINT16 R/W per. -	CANopen 300B:11 _h Modbus 2850 Profibus 2850 CIP 111.1.17 ModbusTCP 2850 EtherCAT 300B:11 _h PROFINET 2850

Setting the Comparison Criterion

The comparison criterion is set via the following parameters.

In the case of the comparison criteria “Pact in” and “Pact out”, there is a difference between “basic” and “extended”.

- Basic: The movement to be performed remains within the movement range.
- Extended: The movement to be performed can extend beyond the movement range.

Parameter name HMI menu HMI name	Description	Unit Minimum value Factory setting Maximum value	Data type R/W Persistent Expert	Parameter address via fieldbus
PosReg1Mode	Selection of comparison criterion for position register channel 1. 0 / Pact greater equal A: Actual position is greater than or equal to comparison value A for position register channel 1 1 / Pact less equal A: Actual position is less than or equal to comparison value A for position register channel 1 2 / Pact in [A-B] (basic): Actual position is in the range A-B including limits (basic) 3 / Pact out [A-B] (basic): Actual position is out of the range A-B excluding limits (basic) 4 / Pact in [A-B] (extended): Actual position is in the range A-B including limits (extended) 5 / Pact out [A-B] (extended): Actual position is out of the range A-B excluding limits (extended) Modified settings become active immediately.	- 0 0 5	UINT16 R/W per. -	CANopen 300B:4 _h Modbus 2824 Profibus 2824 CIP 111.1.4 ModbusTCP 2824 EtherCAT 300B:4 _h PROFINET 2824

Parameter name HMI menu HMI name	Description	Unit Minimum value Factory setting Maximum value	Data type R/W Persistent Expert	Parameter address via fieldbus
PosReg2Mode	Selection of comparison criterion for position register channel 2. 0 / Pact greater equal A: Actual position is greater than or equal to comparison value A for position register channel 2 1 / Pact less equal A: Actual position is less than or equal to comparison value A for position register channel 2 2 / Pact in [A-B] (basic): Actual position is in the range A-B including limits (basic) 3 / Pact out [A-B] (basic): Actual position is out of the range A-B excluding limits (basic) 4 / Pact in [A-B] (extended): Actual position is in the range A-B including limits (extended) 5 / Pact out [A-B] (extended): Actual position is out of the range A-B excluding limits (extended) Modified settings become active immediately.	- 0 0 5	UINT16 R/W per. -	CANopen 300B:5 _h Modbus 2826 Profibus 2826 CIP 111.1.5 ModbusTCP 2826 EtherCAT 300B:5 _h PROFINET 2826
PosReg3Mode	Selection of comparison criterion for position register channel 3. 0 / Pact greater equal A: Actual position is greater than or equal to comparison value A for position register channel 3 1 / Pact less equal A: Actual position is less than or equal to comparison value A for position register channel 3 2 / Pact in [A-B] (basic): Actual position is in the range A-B including limits (basic) 3 / Pact out [A-B] (basic): Actual position is out of the range A-B excluding limits (basic) 4 / Pact in [A-B] (extended): Actual position is in the range A-B including limits (extended) 5 / Pact out [A-B] (extended): Actual position is out of the range A-B excluding limits (extended) Modified settings become active immediately. Available with firmware version \geq V01.04.	- 0 0 5	UINT16 R/W per. -	CANopen 300B:E _h Modbus 2844 Profibus 2844 CIP 111.1.14 ModbusTCP 2844 EtherCAT 300B:E _h PROFINET 2844
PosReg4Mode	Selection of comparison criterion for position register channel 4. 0 / Pact greater equal A: Actual position is greater than or equal to comparison value A for position register channel 4 1 / Pact less equal A: Actual position is less than or equal to comparison value A for position register channel 4 2 / Pact in [A-B] (basic): Actual position is in the range A-B including limits (basic) 3 / Pact out [A-B] (basic): Actual position is out of the range A-B excluding limits (basic) 4 / Pact in [A-B] (extended): Actual position is in the range A-B including limits (extended) 5 / Pact out [A-B] (extended): Actual position is out of the range A-B excluding limits (extended) Modified settings become active immediately. Available with firmware version \geq V01.04.	- 0 0 5	UINT16 R/W per. -	CANopen 300B:F _h Modbus 2846 Profibus 2846 CIP 111.1.15 ModbusTCP 2846 EtherCAT 300B:F _h PROFINET 2846

Setting Comparison Values

The comparison values are set via the following parameters.

Parameter name HMI menu HMI name	Description	Unit Minimum value Factory setting Maximum value	Data type R/W Persistent Expert	Parameter address via fieldbus
PosReg1ValueA	Comparison value A for position register channel 1.	usr_p - 0 -	INT32 R/W per. -	CANopen 300B:8 _h Modbus 2832 Profibus 2832 CIP 111.1.8 ModbusTCP 2832 EtherCAT 300B:8 _h PROFINET 2832
PosReg1ValueB	Comparison value B for position register channel 1.	usr_p - 0 -	INT32 R/W per. -	CANopen 300B:9 _h Modbus 2834 Profibus 2834 CIP 111.1.9 ModbusTCP 2834 EtherCAT 300B:9 _h PROFINET 2834
PosReg2ValueA	Comparison value A for position register channel 2.	usr_p - 0 -	INT32 R/W per. -	CANopen 300B:A _h Modbus 2836 Profibus 2836 CIP 111.1.10 ModbusTCP 2836 EtherCAT 300B:A _h PROFINET 2836
PosReg2ValueB	Comparison value B for position register channel 2.	usr_p - 0 -	INT32 R/W per. -	CANopen 300B:B _h Modbus 2838 Profibus 2838 CIP 111.1.11 ModbusTCP 2838 EtherCAT 300B:B _h PROFINET 2838
PosReg3ValueA	Comparison value A for position register channel 3. Available with firmware version ≥V01.04.	usr_p - 0 -	INT32 R/W per. -	CANopen 300B:12 _h Modbus 2852 Profibus 2852 CIP 111.1.18 ModbusTCP 2852 EtherCAT 300B:12 _h PROFINET 2852
PosReg3ValueB	Comparison value B for position register channel 3. Available with firmware version ≥V01.04.	usr_p - 0 -	INT32 R/W per. -	CANopen 300B:13 _h Modbus 2854 Profibus 2854 CIP 111.1.19 ModbusTCP 2854 EtherCAT 300B:13 _h PROFINET 2854
PosReg4ValueA	Comparison value A for position register channel 4. Available with firmware version ≥V01.04.	usr_p - 0 -	INT32 R/W per. -	CANopen 300B:14 _h Modbus 2856 Profibus 2856 CIP 111.1.20 ModbusTCP 2856 EtherCAT 300B:14 _h PROFINET 2856
PosReg4ValueB	Comparison value B for position register channel 4. Available with firmware version ≥V01.04.	usr_p - 0 -	INT32 R/W per. -	CANopen 300B:15 _h Modbus 2858 Profibus 2858 CIP 111.1.21 ModbusTCP 2858 EtherCAT 300B:15 _h PROFINET 2858

Position Deviation Window

Description

The position deviation window allows you to monitor whether the motor is within a parameterizable position deviation.

The position deviation is the difference between reference position and actual position.

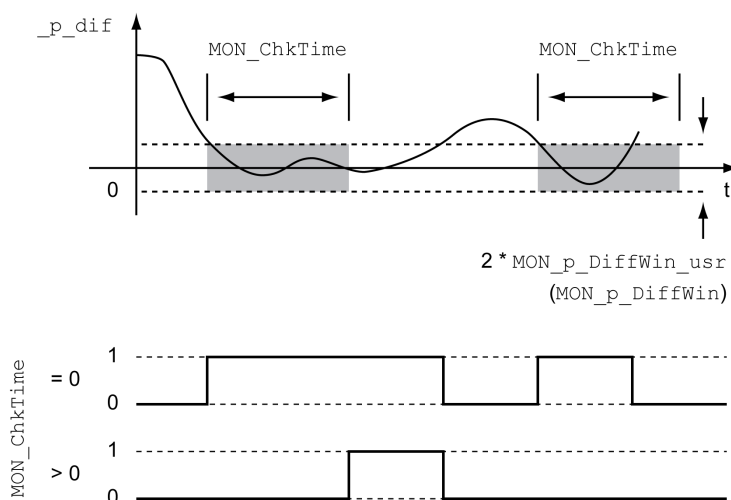
The position deviation window comprises position deviation and monitoring time.

Availability

The position deviation window is available in the following operating modes.

- Jog
- Electronic Gear (position synchronization)
- Profile Position
- Homing
- Motion Sequence (Move Absolute, Move Additive, Move Relative and Reference Movement)

Settings



The parameters $MON_p_DiffWin_usr$ and $MON_ChkTime$ specify the size of the window.

Status Indication

The status is available via a signal output or via the fieldbus.

In order to read the status via a signal output, you must first parameterize the signal output function “In Position Deviation Window”, see chapter Digital Inputs and Outputs ([see page 221](#)).

In order to read the status via the fieldbus, you must set the status bits of the status parameters, see chapter Adjustable Bits of the Status Parameters ([see page 402](#)).

The parameter $MON_ChkTime$ acts on the parameters $MON_p_DiffWin_usr$ ($MON_p_DiffWin$), $MON_v_DiffWin$, $MON_v_Threshold$ and $MON_I_Threshold$.

Parameter name HMI menu HMI name	Description	Unit Minimum value Factory setting Maximum value	Data type R/W Persistent Expert	Parameter address via fieldbus
MON_p_DiffWin_usr	<p>Monitoring of position deviation.</p> <p>The system verifies whether the drive is within the defined deviation during the period set with MON_ChkTime.</p> <p>The status can be output via a parameterizable output.</p> <p>The minimum value, the factory setting and the maximum value depend on the scaling factor.</p> <p>Modified settings become active immediately.</p> <p>Available with firmware version \geqV01.03.</p>	usr_p 0 16 2147483647	INT32 R/W per. -	CANopen 3006:3F _h Modbus 1662 Profibus 1662 CIP 106.1.63 ModbusTCP 1662 EtherCAT 3006:3F _h PROFINET 1662
MON_ChkTime CONF → 1 - 0 - Ether	<p>Monitoring of time window.</p> <p>Adjustment of a time for monitoring of position deviation, velocity deviation, velocity value and current value. If the monitored value is in the permissible range during the adjusted time, the monitoring function delivers a positive result.</p> <p>The status can be output via a parameterizable output.</p> <p>Modified settings become active immediately.</p>	ms 0 0 9999	UINT16 R/W per. -	CANopen 3006:1D _h Modbus 1594 Profibus 1594 CIP 106.1.29 ModbusTCP 1594 EtherCAT 3006:1D _h PROFINET 1594

Velocity Deviation Window

Description

The velocity deviation window allows you to monitor whether the motor is within a parameterizable velocity deviation.

The velocity deviation is the difference between the reference velocity and the actual velocity.

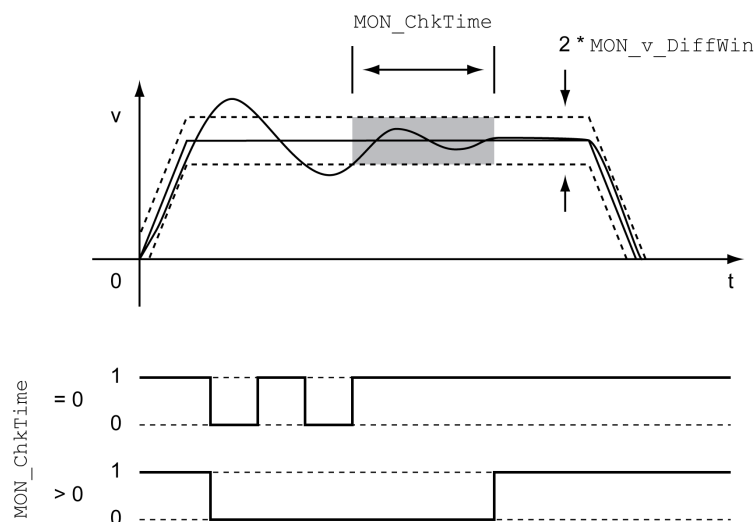
The velocity deviation window comprises velocity deviation and monitoring time.

Availability

The velocity deviation window is available in the following operating modes.

- Jog
- Electronic Gear (velocity synchronization)
- Profile Velocity
- Profile Position
- Homing
- Motion Sequence

Settings



The parameters MON_v_DiffWin and MON_ChkTime specify the size of the window.

Status Indication

The status is available via a signal output or via the fieldbus.

In order to read the status via a signal output, you must first parameterize the signal output function "In Velocity Deviation Window", see chapter Digital Inputs and Outputs ([see page 221](#)).

In order to read the status via the fieldbus, you must set the status bits of the status parameters, see chapter Adjustable Bits of the Status Parameters ([see page 402](#)).

The parameter MON_ChkTime acts on the parameters MON_p_DiffWin_usr , MON_v_DiffWin , MON_v_Threshold and MON_I_Threshold .

Parameter name HMI menu HMI name	Description	Unit Minimum value Factory setting Maximum value	Data type R/W Persistent Expert	Parameter address via fieldbus
MON_v_DiffWin	Monitoring of velocity deviation. The system monitors whether the drive is within the defined deviation during the period set with MON_ChkTime. The status can be output via a parameterizable output. Modified settings become active immediately.	usr_v 1 10 2147483647	UINT32 R/W per. -	CANopen 3006:1A _h Modbus 1588 Profibus 1588 CIP 106.1.26 ModbusTCP 1588 EtherCAT 3006:1A _h PROFINET 1588
MON_ChkTime CONF → 1 - 0 - Ether	Monitoring of time window. Adjustment of a time for monitoring of position deviation, velocity deviation, velocity value and current value. If the monitored value is in the permissible range during the adjusted time, the monitoring function delivers a positive result. The status can be output via a parameterizable output. Modified settings become active immediately.	ms 0 0 9999	UINT16 R/W per. -	CANopen 3006:1D _h Modbus 1594 Profibus 1594 CIP 106.1.29 ModbusTCP 1594 EtherCAT 3006:1D _h PROFINET 1594

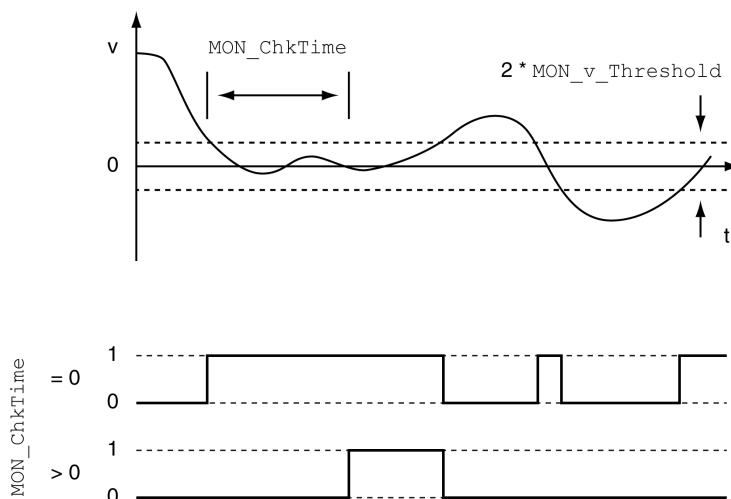
Velocity Threshold Value

Description

The velocity threshold value allows you to monitor whether the actual velocity is below a parameterizable velocity value.

The velocity threshold value comprises the velocity and the monitoring time.

Settings



The parameters MON_v_Threshold and MON_ChkTime specify the size of the window.

Status Indication

The status is available via a signal output or via the fieldbus.

In order to read the status via a signal output, you must first parameterize the signal output function "Velocity Below Threshold", see chapter Digital Inputs and Outputs ([see page 221](#)).

In order to read the status via the fieldbus, you must set the status bits of the status parameters, see chapter Adjustable Bits of the Status Parameters ([see page 402](#)).

The parameter MON_ChkTime acts on the parameters MON_p_DiffWin_usr , MON_v_DiffWin , MON_v_Threshold and MON_I_Threshold .

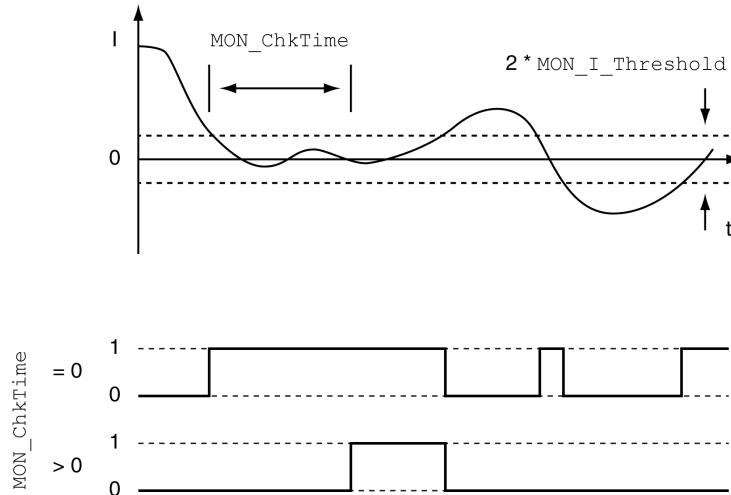
Parameter name HMI menu HMI name	Description	Unit Minimum value Factory setting Maximum value	Data type R/W Persistent Expert	Parameter address via fieldbus
MON_v_Threshold	Monitoring of velocity threshold. The system monitors whether the drive is below the defined value during the period set with MON_ChkTime . The status can be output via a parameterizable output. Modified settings become active immediately.	usr_v 1 10 2147483647	UINT32 R/W per. -	CANopen 3006:1B _h Modbus 1590 Profibus 1590 CIP 106.1.27 ModbusTCP 1590 EtherCAT 3006:1B _h PROFINET 1590
MON_ChkTime CONF → 1 - 0 - t t h r	Monitoring of time window. Adjustment of a time for monitoring of position deviation, velocity deviation, velocity value and current value. If the monitored value is in the permissible range during the adjusted time, the monitoring function delivers a positive result. The status can be output via a parameterizable output. Modified settings become active immediately.	ms 0 0 9999	UINT16 R/W per. -	CANopen 3006:1D _h Modbus 1594 Profibus 1594 CIP 106.1.29 ModbusTCP 1594 EtherCAT 3006:1D _h PROFINET 1594

Current Threshold Value

The current threshold value allows you to monitor whether the actual current is below a parameterizable current value.

The current threshold value comprises the current value and the monitoring time.

Settings



The parameters MON_I_Threshold and MON_ChkTime specify the size of the window.

Status Indication

The status is available via a signal output or via the fieldbus.

In order to read the status via a signal output, you must first parameterize the signal output function "Current Below Threshold", see chapter Digital Inputs and Outputs (see page 221).

In order to read the status via the fieldbus, you must set the status bits of the status parameters, see chapter Adjustable Bits of the Status Parameters (see page 402).

The parameter MON_ChkTime acts on the parameters MON_p_DiffWin_usr , MON_v_DiffWin , MON_v_Threshold and MON_I_Threshold .

Parameter name HMI menu HMI name	Description	Unit Minimum value Factory setting Maximum value	Data type R/W Persistent Expert	Parameter address via fieldbus
MON_I_Threshold <i>CONF → i - a - i t h r</i>	Monitoring of current threshold. The system monitors whether the drive is below the defined value during the period set with MON_ChkTime . The status can be output via a parameterizable output. The parameter $_lq_act_rms$ is used as comparison value. In increments of $0.01 A_{rms}$. Modified settings become active immediately.	A_{rms} 0.00 0.20 300.00	UINT16 R/W per. -	CANopen 3006:1C _h Modbus 1592 Profibus 1592 CIP 106.1.28 ModbusTCP 1592 EtherCAT 3006:1C _h PROFINET 1592

Parameter name HMI menu HMI name	Description	Unit Minimum value Factory setting Maximum value	Data type R/W Persistent Expert	Parameter address via fieldbus
MON_ChkTime CONF → 1-0- Ethr	Monitoring of time window. Adjustment of a time for monitoring of position deviation, velocity deviation, velocity value and current value. If the monitored value is in the permissible range during the adjusted time, the monitoring function delivers a positive result. The status can be output via a parameterizable output. Modified settings become active immediately.	ms 0 0 9999	UINT16 R/W per. -	CANopen 3006:1D _h Modbus 1594 Profibus 1594 CIP 106.1.29 ModbusTCP 1594 EtherCAT 3006:1D _h PROFINET 1594

Adjustable Bits of the Status Parameters

Overview

The status bits of the following parameters can be adjusted:

- Parameter `_actionStatus`
 - Setting of bit 9 via parameter `DPL_intLim`
 - Setting of bit 10 via parameter `DS402intLim`
- Parameter `_DPL_motionStat`
 - Setting of bit 9 via parameter `DPL_intLim`
 - Setting of bit 10 via parameter `DS402intLim`
- Parameter `_DCOMstatus`
 - Setting of bit 11 via parameter `DS402intLim`

Status Parameter

Parameter name HMI menu HMI name	Description	Unit Minimum value Factory setting Maximum value	Data type R/W Persistent Expert	Parameter address via fieldbus
<code>_actionStatus</code>	<p>Action word. Signal state: 0: Not activated 1: Activated</p> <p>Bit assignments: Bit 0: Error class 0 Bit 1: Error class 1 Bit 2: Error class 2 Bit 3: Error class 3 Bit 4: Error class 4 Bit 5: Reserved Bit 6: Motor is at a standstill (<code>_n_act < 9 RPM</code>) Bit 7: Motor movement in positive direction Bit 8: Motor movement in negative direction Bit 9: Assignment can be set via parameter <code>DPL_intLim</code> Bit 10: Assignment can be set via parameter <code>DS402intLim</code> Bit 11: Profile generator idle (reference velocity is 0) Bit 12: Profile generator decelerates Bit 13: Profile generator accelerates Bit 14: Profile generator moves at constant speed Bit 15: Reserved</p>	- - - -	UINT16 R/- - -	CANopen 301C:4 _h Modbus 7176 Profibus 7176 CIP 128.1.4 ModbusTCP 7176 EtherCAT 301C:4 _h PROFINET 7176
<code>_DCOMstatus</code>	<p>DriveCom status word. Bit assignments: Bit 0: Operating state Ready To Switch On Bit 1: Operating state Switched On Bit 2: Operating state Operation Enabled Bit 3: Operating state Fault Bit 4: Voltage Enabled Bit 5: Operating state Quick Stop Bit 6: Operating state Switch On Disabled Bit 7: Error of error class 0 Bit 8: HALT request active Bit 9: Remote Bit 10: Target Reached Bit 11: Internal Limit Active Bit 12: Operating mode-specific Bit 13: <code>x_err</code> Bit 14: <code>x_end</code> Bit 15: <code>ref_ok</code></p>	- - -	UINT16 R/- - -	CANopen 6041:0 _h Modbus 6916 Profibus 6916 CIP 127.1.2 ModbusTCP 6916 EtherCAT 6041:0 _h PROFINET 6916

Parameter name HMI menu HMI name	Description	Unit Minimum value Factory setting Maximum value	Data type R/W Persistent Expert	Parameter address via fieldbus
_DPL_motionStat	Drive Profile Lexium motionStat.	- - - -	UINT16 R/- - -	CANopen 301B:27 _h Modbus 6990 Profibus 6990 CIP 127.1.39 ModbusTCP 6990 EtherCAT 301B:27 _h PROFINET 6990

Parameter for Setting the Status Bits

Parameter name HMI menu HMI name	Description	Unit Minimum value Factory setting Maximum value	Data type R/W Persistent Expert	Parameter address via fieldbus
DPL_intLim	Setting for bit 9 of _DPL_motionStat and _actionStatus. 0 / None: Not used (reserved) 1 / Current Below Threshold: Current threshold value 2 / Velocity Below Threshold: Velocity threshold value 3 / In Position Deviation Window: Position deviation window 4 / In Velocity Deviation Window: Velocity deviation window 5 / Position Register Channel 1: Position register channel 1 6 / Position Register Channel 2: Position register channel 2 7 / Position Register Channel 3: Position register channel 3 8 / Position Register Channel 4: Position register channel 4 9 / Hardware Limit Switch: Hardware limit switch 10 / RMAC active or finished: Relative movement after capture is active or finished 11 / Position Window: Position window Setting for: Bit 9 of the parameter _actionStatus Bit 9 of the parameter _DPL_motionStat Modified settings become active immediately. Available with firmware version \geq V01.08.	- 0 11 11	UINT16 R/W per. -	CANopen 301B:35 _h Modbus 7018 Profibus 7018 CIP 127.1.53 ModbusTCP 7018 EtherCAT 301B:35 _h PROFINET 7018

Parameter name HMI menu HMI name	Description	Unit Minimum value Factory setting Maximum value	Data type R/W Persistent Expert	Parameter address via fieldbus
DS402intLim	<p>DS402 status word: Setting for bit 11 (internal limit).</p> <p>0 / None: Not used (reserved)</p> <p>1 / Current Below Threshold: Current threshold value</p> <p>2 / Velocity Below Threshold: Velocity threshold value</p> <p>3 / In Position Deviation Window: Position deviation window</p> <p>4 / In Velocity Deviation Window: Velocity deviation window</p> <p>5 / Position Register Channel 1: Position register channel 1</p> <p>6 / Position Register Channel 2: Position register channel 2</p> <p>7 / Position Register Channel 3: Position register channel 3</p> <p>8 / Position Register Channel 4: Position register channel 4</p> <p>9 / Hardware Limit Switch: Hardware limit switch</p> <p>10 / RMAC active or finished: Relative movement after capture is active or finished</p> <p>11 / Position Window: Position window</p> <p>Setting for: Bit 11 of the parameter _DCOMstatus Bit 10 of the parameter _actionStatus Bit 10 of the parameter _DPL_motionStat Modified settings become active immediately.</p>	- 0 0 11	UINT16 R/W per. -	CANopen 301B:1E _h Modbus 6972 Profibus 6972 CIP 127.1.30 ModbusTCP 6972 EtherCAT 301B:1E _h PROFINET 6972

Section 8.3

Functions for Monitoring Internal Device Signals

What Is in This Section?

This section contains the following topics:

Topic	Page
Temperature Monitoring	406
Monitoring Load and Overload (I^2T Monitoring)	407
Commutation Monitoring	409
Monitoring of Mains Phases	410
Ground Monitoring	412

Temperature Monitoring

Temperature of Power Stage

The parameter `_PS_T_current` indicates the temperature of the power stage.

The parameter `_PS_T_warn` contains the threshold value for an error of error class 0. The parameter `_PS_T_max` indicates the maximum power stage temperature.

Parameter name HMI menu HMI name	Description	Unit Minimum value Factory setting Maximum value	Data type R/W Persistent Expert	Parameter address via fieldbus
<code>_PS_T_current</code> <i>Пан tPS</i>	Temperature of power stage.	°C - - -	INT16 R/- - -	CANopen 301C:10 _h Modbus 7200 Profibus 7200 CIP 128.1.16 ModbusTCP 7200 EtherCAT 301C:10 _h PROFINET 7200
<code>_PS_T_warn</code>	Advisory temperature limit of power stage (error class 0).	°C - - -	INT16 R/- per. -	CANopen 3010:6 _h Modbus 4108 Profibus 4108 CIP 116.1.6 ModbusTCP 4108 EtherCAT 3010:6 _h PROFINET 4108
<code>_PS_T_max</code>	Maximum temperature of power stage.	°C - - -	INT16 R/- per. -	CANopen 3010:7 _h Modbus 4110 Profibus 4110 CIP 116.1.7 ModbusTCP 4110 EtherCAT 3010:7 _h PROFINET 4110

Temperature of Motor

The parameter `_M_T_current` indicates the motor temperature.

The parameter `_M_T_max` indicates the maximum motor temperature.

Parameter name HMI menu HMI name	Description	Unit Minimum value Factory setting Maximum value	Data type R/W Persistent Expert	Parameter address via fieldbus
<code>_M_T_current</code> <i>Мот tMot</i>	Temperature of motor.	°C - - -	INT16 R/- - -	CANopen 301C:11 _h Modbus 7202 Profibus 7202 CIP 128.1.17 ModbusTCP 7202 EtherCAT 301C:11 _h PROFINET 7202
<code>_M_T_max</code>	Maximum temperature of motor.	°C - - -	INT16 R/- - -	CANopen 300D:10 _h Modbus 3360 Profibus 3360 CIP 113.1.16 ModbusTCP 3360 EtherCAT 300D:10 _h PROFINET 3360

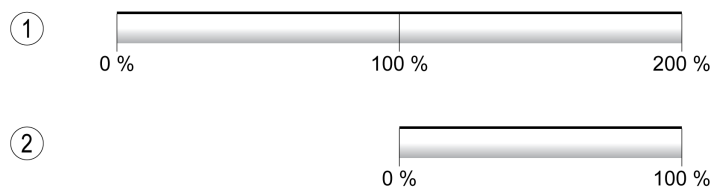
Monitoring Load and Overload (I²T Monitoring)

Description

The load is the thermal load on the power stage, the motor and the braking resistor.

Load and overload on the individual components are monitored internally; the values can be read by means of parameters.

Overload starts at a load value of 100 %.



- 1 Load
- 2 Overload

Load Monitoring

The load can be read using the following parameters:

Parameter name HMI menu HMI name	Description	Unit Minimum value Factory setting Maximum value	Data type R/W Persistent Expert	Parameter address via fieldbus
<u>_PS_load</u> <i>Π α η</i> <i>L d F P</i>	Load of power stage.	% - - -	INT16 R/- - -	CANopen 301C:17 _h Modbus 7214 Profibus 7214 CIP 128.1.23 ModbusTCP 7214 EtherCAT 301C:17 _h PROFINET 7214
<u>_M_load</u> <i>Π α η</i> <i>L d F Π</i>	Load of motor.	% - - -	INT16 R/- - -	CANopen 301C:1A _h Modbus 7220 Profibus 7220 CIP 128.1.26 ModbusTCP 7220 EtherCAT 301C:1A _h PROFINET 7220
<u>_RES_load</u> <i>Π α η</i> <i>L d F b</i>	Load of braking resistor. The braking resistor set via parameter RESint_ext is monitored.	% - - -	INT16 R/- - -	CANopen 301C:14 _h Modbus 7208 Profibus 7208 CIP 128.1.20 ModbusTCP 7208 EtherCAT 301C:14 _h PROFINET 7208

Overload Monitoring

In the case of 100 % overload of the power stage or the motor, the current is limited internally. In the case of 100 % overload of the braking resistor, the braking resistor is deactivated.

The overload and the peak value can be read using the following parameters:

Parameter name HMI menu HMI name	Description	Unit Minimum value Factory setting Maximum value	Data type R/W Persistent Expert	Parameter address via fieldbus
_PS_overload	Overload of power stage.	% - - -	INT16 R/- - -	CANopen 301C:24 _h Modbus 7240 Profibus 7240 CIP 128.1.36 ModbusTCP 7240 EtherCAT 301C:24 _h PROFINET 7240
_PS_maxoverload	Maximum value of overload of power stage. Maximum overload of power stage during the last 10 seconds.	% - - -	INT16 R/- - -	CANopen 301C:18 _h Modbus 7216 Profibus 7216 CIP 128.1.24 ModbusTCP 7216 EtherCAT 301C:18 _h PROFINET 7216
_M_overload	Overload of motor (I _{2t}).	% - - -	INT16 R/- - -	CANopen 301C:19 _h Modbus 7218 Profibus 7218 CIP 128.1.25 ModbusTCP 7218 EtherCAT 301C:19 _h PROFINET 7218
_M_maxoverload	Maximum value of overload of motor. Maximum overload of motor during the last 10 seconds.	% - - -	INT16 R/- - -	CANopen 301C:1B _h Modbus 7222 Profibus 7222 CIP 128.1.27 ModbusTCP 7222 EtherCAT 301C:1B _h PROFINET 7222
_RES_overload	Overload of braking resistor (I _{2t}). The braking resistor set via parameter RESint_ext is monitored.	% - - -	INT16 R/- - -	CANopen 301C:13 _h Modbus 7206 Profibus 7206 CIP 128.1.19 ModbusTCP 7206 EtherCAT 301C:13 _h PROFINET 7206
_RES_maxoverload	Maximum value of overload of braking resistor. Maximum overload of braking resistor during the last 10 seconds. The braking resistor set via parameter RESint_ext is monitored.	% - - -	INT16 R/- - -	CANopen 301C:15 _h Modbus 7210 Profibus 7210 CIP 128.1.21 ModbusTCP 7210 EtherCAT 301C:15 _h PROFINET 7210

Commutation Monitoring

Description

Commutation monitoring verifies the plausibility of acceleration and effective motor torque.

If the motor accelerates though the drive control decelerates the motor with the maximum current, an error is detected.

Deactivating commutation monitoring can cause unintended movements.

⚠ WARNING
<p>UNINTENDED MOVEMENT</p> <ul style="list-style-type: none"> Only deactivate commutation monitoring during commissioning and only for test purposes. Verify that the commutation monitoring is active prior to putting the equipment into service. <p>Failure to follow these instructions can result in death, serious injury, or equipment damage.</p>

The parameter `MON_commutat` lets you deactivate commutation monitoring.

Parameter name HMI menu HMI name	Description	Unit Minimum value Factory setting Maximum value	Data type R/W Persistent Expert	Parameter address via fieldbus
<code>MON_commutat</code>	Commutation monitoring. 0 / Off: Commutation monitoring off 1 / On: Commutation monitoring on in operating states 6, 7 and 8 2 / On (OpState6+7): Commutation monitoring on in operating states 6 and 7 Setting can only be modified if power stage is disabled. Modified settings become active the next time the power stage is enabled.	- 0 1 2	UINT16 R/W per. -	CANopen 3005:5 _h Modbus 1290 Profibus 1290 CIP 105.1.5 ModbusTCP 1290 EtherCAT 3005:5 _h PROFINET 1290

Monitoring of Mains Phases

Description

If a three-phase drive is missing a mains phase and mains phase monitoring is not correctly set, this can cause overload of the product.

<i>NOTICE</i>
<p>INOPERABLE EQUIPMENT DUE TO MISSING MAINS PHASE</p> <ul style="list-style-type: none"> • Verify that mains phase monitoring is set to "Automatic Mains Detection" or to "Mains ..." with the correct voltage value if the drive is supplied via the mains phases. • Verify that mains phase monitoring is set to "DC bus only ..." with the correct voltage value if the drive is supplied via the DC bus. <p>Failure to follow these instructions can result in equipment damage.</p>

The parameter `ErrorResp_Flt_AC` lets you set the error response to a missing mains phase for three-phase devices.

Parameter name HMI menu HMI name	Description	Unit Minimum value Factory setting Maximum value	Data type R/W Persistent Expert	Parameter address via fieldbus
<code>ErrorResp_Flt_AC</code>	Error response to missing mains phase. 0 / Error Class 0: Error class 0 1 / Error Class 1: Error class 1 2 / Error Class 2: Error class 2 3 / Error Class 3: Error class 3 Setting can only be modified if power stage is disabled. Modified settings become active the next time the power stage is enabled.	- 0 2 3	UINT16 R/W per. -	CANopen 3005:Ah Modbus 1300 Profibus 1300 CIP 105.1.10 ModbusTCP 1300 EtherCAT 3005:Ah PROFINET 1300

If the product is supplied via the DC bus, mains phase monitoring must be set to "DC bus only ..." with the correct voltage value.

Mains phase monitoring is set by means of the parameter `MON_MainsVolt`.

Parameter name HMI menu HMI name	Description	Unit Minimum value Factory setting Maximum value	Data type R/W Persistent Expert	Parameter address via fieldbus
MON_MainsVolt	<p>Detection and monitoring of mains phases.</p> <p>0 / Automatic Mains Detection: Automatic detection and monitoring of mains voltage</p> <p>1 / DC-Bus Only (Mains 1~230 V / 3~480 V): DC bus supply only, corresponding to mains voltage 230 V (single-phase) or 480 V (three phases)</p> <p>2 / DC-Bus Only (Mains 1~115 V / 3~208 V): DC bus supply only, corresponding to mains voltage 115 V (single-phase) or 208 V (three phases)</p> <p>3 / Mains 1~230 V / 3~480 V: Mains voltage 230 V (single-phase) or 480 V (three phases)</p> <p>4 / Mains 1~115 V / 3~208 V: Mains voltage 115 V (single-phase) or 208 V (three phases)</p> <p>5 / Reserved: Reserved</p> <p>Value 0: As soon as mains voltage detected, the device automatically verifies whether the mains voltage is 115 V or 230 V in the case of single-phase devices or 208 V or 400/480 V in the case of three-phase devices.</p> <p>Values 1 ... 2: If the device is supplied only via the DC bus, the parameter has to be set to the voltage value corresponding to the mains voltage of the supplying device. There is no mains voltage monitoring.</p> <p>Values 3 ... 4: If the mains voltage is not detected properly during start-up, the mains voltage to be used can be selected manually. Setting can only be modified if power stage is disabled. Modified settings become active the next time the power stage is enabled.</p>	- 0 0 5	UINT16 R/W per. expert	CANopen 3005:F _h Modbus 1310 Profibus 1310 CIP 105.1.15 ModbusTCP 1310 EtherCAT 3005:F _h PROFINET 1310

Ground Monitoring

Description

When the power stage is enabled, the device monitors the motor phases for ground errors. A ground error occurs when one or more motor phases are short-circuited to the ground (earth) of the application.

A ground error of one or more motor phases is detected. A ground error of the DC bus or the braking resistor is not monitored.

If the ground error monitoring is deactivated, the drive may be rendered inoperable by a ground error.

NOTICE

INOPERABLE EQUIPMENT DUE TO GROUND ERRORS

- Only deactivate ground monitoring during commissioning and only for test purposes.
- Verify that the ground monitoring is active prior to putting the equipment into service.

Failure to follow these instructions can result in equipment damage.

Parameter name HMI menu HMI name	Description	Unit Minimum value Factory setting Maximum value	Data type R/W Persistent Expert	Parameter address via fieldbus
MON_GroundFault	Ground monitoring. 0 / Off: Ground monitoring off 1 / On: Ground monitoring on Modified settings become active the next time the product is powered on.	- 0 1 1	UINT16 R/W per. expert	CANopen 3005:10 _h Modbus 1312 Profibus 1312 CIP 105.1.16 ModbusTCP 1312 EtherCAT 3005:10 _h PROFINET 1312

Chapter 9

Examples

Examples

General Information

The examples show some typical applications of the product. The examples are intended to provide an overview; they are not exhaustive wiring plans.

The examples described here are intended for learning purposes only. In general, they are intended to help you understand how to develop, test, commission, and integrate application logic and/or the device wiring of the equipment associated with your own design in your control systems. The examples are not intended to be used directly on products that are part of a machine or process.

 WARNING
--

UNINTENDED EQUIPMENT OPERATION

Do not include any wiring information, programming or configuration logic, or parameterization values from the Examples in your machine or process without thoroughly testing your entire application.
--

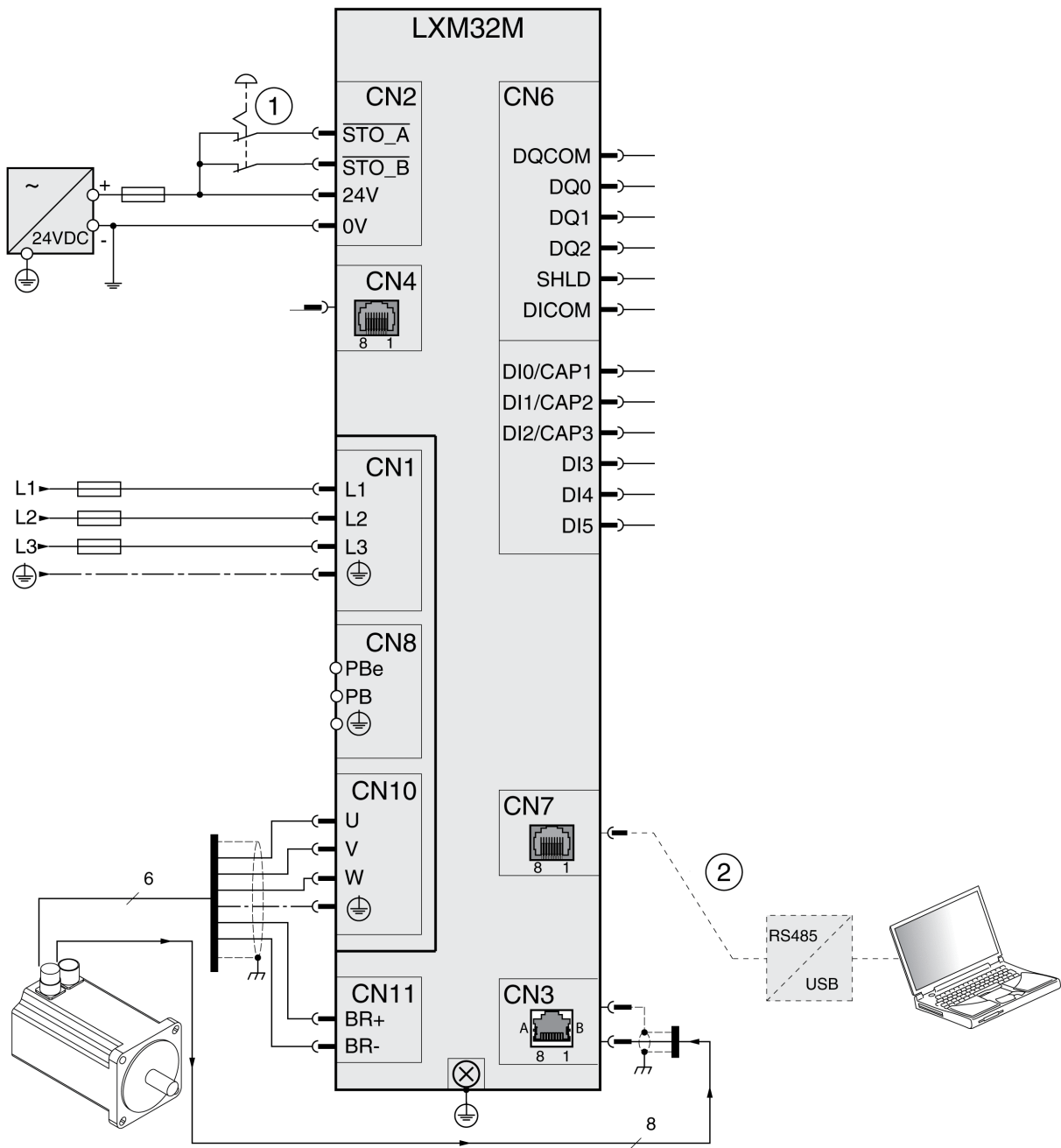
Failure to follow these instructions can result in death, serious injury, or equipment damage.

Using the safety function STO integrated in this product requires careful planning. See chapter Safety function STO ("Safe Torque Off") (*see page 86*) for additional information.

Example of Operation with a Module

See the manual for the modules for details on wiring.

Wiring example



- 1 EMERGENCY STOP
- 2 Commissioning accessories

Chapter 10

Diagnostics and Troubleshooting

What Is in This Chapter?

This chapter contains the following sections:

Section	Topic	Page
10.1	Diagnostics via HMI	416
10.2	Diagnostics via Signal Outputs	422
10.3	Diagnostics via the Fieldbus	425
10.4	Error Messages	434

Section 10.1

Diagnostics via HMI

What Is in This Section?

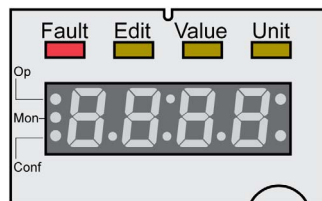
This section contains the following topics:

Topic	Page
Diagnostics via the Integrated HMI	417
Acknowledging a Motor Change	418
Acknowledging a Module Replacement	419
Displaying error messages via the HMI	420

Diagnostics via the Integrated HMI

Overview

The 7-segment display provides the user with information.



With the factory setting, the 7-segment display shows the operating states. The operating states are described in chapter Operating States ([see page 260](#)).

Message	Description
<i>1 n 1 t</i>	Operating state 1 Start
<i>n r d y</i>	Operating state 2 Not Ready To Switch On
<i>d i s</i>	Operating state 3 Switch On Disabled
<i>r d y</i>	Operating state 4 Ready To Switch On
<i>5 o n</i>	Operating state 5 Switched On
<i>r u n</i> and <i>h A L t</i>	Operating state 6 Operation Enabled
<i>5 t o P</i>	Operating state 7 Quick Stop Active
<i>F L t</i>	Operating state 8 Fault Reaction Active and 9 Fault

Additional Messages

The table below provides an overview of the messages that can additionally be displayed on the integrated HMI.

Message	Description
<i>C R r d</i>	Data on the memory card differs from data in the product. See chapter Memory Card (see page 193) for information on how to proceed.
<i>d i S P</i>	An external HMI is connected. The integrated HMI has no function.
<i>F S u</i>	Perform a First Setup. See chapter Powering on the Device for the First Time (see page 159).
<i>Π o t</i>	A new motor was detected. See chapter Acknowledging a Motor Change (see page 418) for replacing a motor.
<i>P r o t</i>	Parts of the integrated HMI were locked with the parameter <code>HMIlocked</code> .
<i>5 L t 1 ... 5 L t 3</i>	The device has detected a different equipment with modules. See chapter Acknowledging a Module Replacement (see page 419) for replacing modules.
<i>u L o W</i>	24 Vdc control supply during initialization not high enough.
<i>B B B B</i>	Undervoltage 24 Vdc control supply.
<i>W d o G</i>	Undeterminable system error. Contact your Schneider Electric representative.
<i>- - - -</i>	Firmware not available. Retry to flash the firmware. If the condition persists, contact your Schneider Electric representative.

If the HMI displays a message that is not contained in the list, contact your Schneider Electric representative.

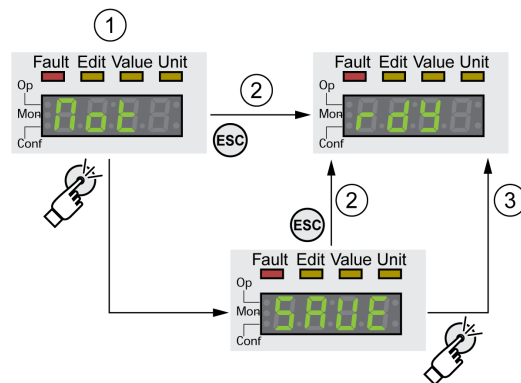
Acknowledging a Motor Change

Procedure for confirming a motor change via the integrated HMI.

If the 7-segment display shows **Not**:

- Press the navigation button.
The 7-segment display shows **SAVE**.
- Press the navigation button to save the new motor parameters to the nonvolatile memory.
The product switches to operating state **4** Ready To Switch On.

Confirming a motor change via the integrated HMI



- 1 HMI displays that a replacement of a motor has been detected.
- 2 Canceling the saving process
- 3 Saving switching to operating state **4** Ready To Switch On.

Acknowledging a Module Replacement

General

Note the information in the manuals for the respective modules.

Slot 1

Refer to the manual for the safety module for information on replacing a module in slot 1.

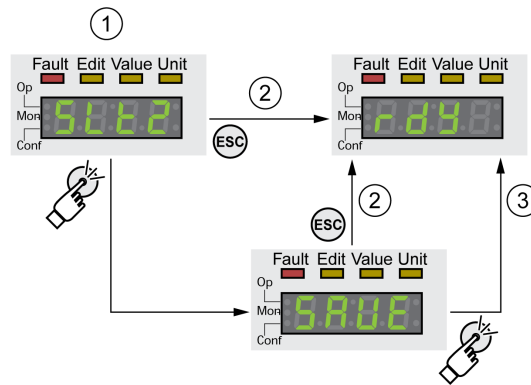
Slot 2 and Slot 3

The replacement of a module is confirmed via the integrated HMI.

The 7-segment display shows *S L E 2* or *S L E 3*.

- Press the navigation button.
The 7-segment display shows *S A V E*.
- Press the navigation button.
The product switches to operating state **4** Ready To Switch On.

Confirming a module change via the integrated HMI



- 1 HMI displays that a replacement of a module has been detected.
- 2 Canceling the saving process
- 3 Saving switching to operating state **4** Ready To Switch On.

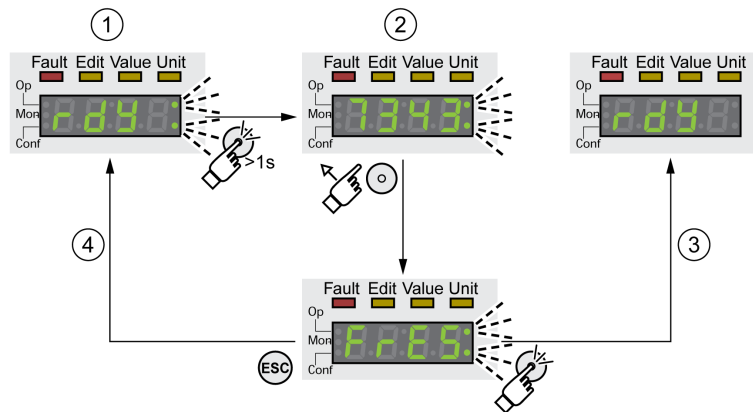
Displaying error messages via the HMI

Resetting Errors of Error Class 0

If there are errors of error class 0, the two dots to the right of the 7-segment display (2) flash. The error code is not directly displayed on the 7-segment display, but must be explicitly queried by the user.

Procedure for displaying and resetting:

- Remedy the cause.
- Press the navigation button and hold it down.
The 7-segment display shows the error code.
- Release the navigation button.
The 7-segment display shows **F r E 5**.
- Press the navigation button to reset the error message.
The 7-segment display returns to the initial state.



- 1 HMI shows an error of error class 0
- 2 Indication of error code
- 3 Resetting an error message
- 4 Canceling (the error code remains in the memory)

See chapter Error Messages ([see page 434](#)) for the meaning of the error codes.

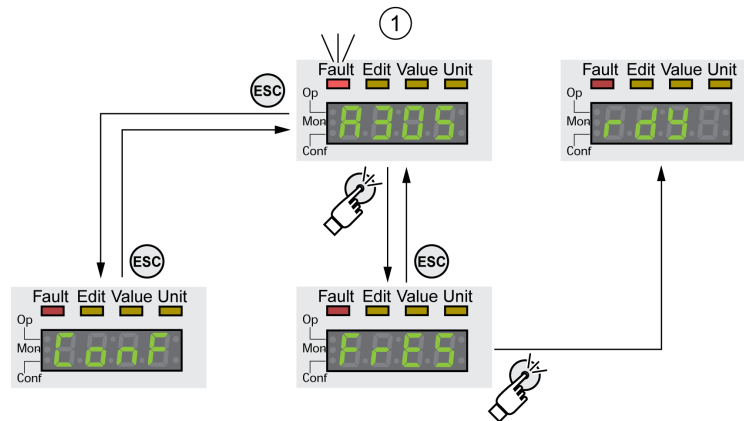
Reading and Acknowledging Errors of Error Classes 1 ...4

In the case of a detected error of error class 1, the error code and **S E a P** are alternately shown on the 7 segment display.

In the case of a detected error of error class 2 ... 4, the error code and **F L E** are alternately shown on the 7 segment display.

Procedure for displaying and resetting:

- Remedy the cause.
- Press the navigation button.
The 7-segment display shows **F r E 5**.
- Press the navigation button to reset the error message.
The product switches to operating state **4** Ready To Switch On.



1 HMI shows an error message with an error code

See chapter Error Messages ([see page 434](#)) for the meaning of the error codes.

Section 10.2

Diagnostics via Signal Outputs

What Is in This Section?

This section contains the following topics:

Topic	Page
Indicating the Operating State	423
Indicating Error Messages	424

Indicating the Operating State

Information on the operating state is available via the signal outputs.

The table below provides an overview.

Operating state	Signal output function	
	"No fault" ⁽¹⁾	"Active" ⁽²⁾
1 Start	0	0
2 Not Ready To Switch On	0	0
3 Switch On Disabled	0	0
4 Ready To Switch On	1	0
5 Switched On	1	0
6 Operation Enabled	1	1
7 Quick Stop Active	0	0
8 Fault Reaction Active	0	0
9 Fault	0	0
(1) The signal output function is factory setting for signal output DQ0		
(2) The signal output function is the factory setting for signal output DQ1		

Indicating Error Messages

Description

Selected error messages can be output via the signal outputs.

In order to output an error message via a signal output, you must first parameterizes the signal output functions “Selected Warning” or “Selected Error”, see chapter Digital Inputs and Outputs ([see page 221](#)).

The parameters `MON_IO_SelWar1` and `MON_IO_SelWar2` are used to specify error codes with the error class 0.

The parameters `MON_IO_SelErr1` and `MON_IO_SelErr2` are used to specify error codes with the error classes 1 ... 4.

If an error specified in one of these parameters is detected, the corresponding signal output is to be set.

The list of the error messages sorted by error code can be found in the chapter Error Messages ([see page 434](#)).

Parameter name HMI menu HMI name	Description	Unit Minimum value Factory setting Maximum value	Data type R/W Persistent Expert	Parameter address via fieldbus
<code>MON_IO_SelWar1</code>	Signal output function Selected Warning (error class 0): First error code. This parameter specifies the error code of an error of error class 0 which is to activate the signal output function. Modified settings become active immediately.	- 0 0 65535	UINT16 R/W per. -	CANopen 303B:8 _h Modbus 15120 Profibus 15120 CIP 159.1.8 ModbusTCP 15120 EtherCAT 303B:8 _h PROFINET 15120
<code>MON_IO_SelWar2</code>	Signal output function Selected Warning (error class 0): Second error code. This parameter specifies the error code of an error of error class 0 which is to activate the signal output function. Modified settings become active immediately.	- 0 0 65535	UINT16 R/W per. -	CANopen 303B:9 _h Modbus 15122 Profibus 15122 CIP 159.1.9 ModbusTCP 15122 EtherCAT 303B:9 _h PROFINET 15122
<code>MON_IO_SelErr1</code>	Signal output function Selected Error (error classes 1 to 4): First error code. This parameter specifies the error code of an error of error classes 1 ... 4 which is to activate the signal output function. Modified settings become active immediately.	- 0 0 65535	UINT16 R/W per. -	CANopen 303B:6 _h Modbus 15116 Profibus 15116 CIP 159.1.6 ModbusTCP 15116 EtherCAT 303B:6 _h PROFINET 15116
<code>MON_IO_SelErr2</code>	Signal output function Selected Error (error classes 1 to 4): Second error code. This parameter specifies the error code of an error of error classes 1 ... 4 which is to activate the signal output function. Modified settings become active immediately.	- 0 0 65535	UINT16 R/W per. -	CANopen 303B:7 _h Modbus 15118 Profibus 15118 CIP 159.1.7 ModbusTCP 15118 EtherCAT 303B:7 _h PROFINET 15118

Section 10.3

Diagnostics via the Fieldbus

What Is in This Section?

This section contains the following topics:

Topic	Page
Fieldbus Communication Error Diagnostics	426
Most Recent Detected Error - Status Bits	427
Most Recent Detected Error - Error Code	430
Error Memory	431

Fieldbus Communication Error Diagnostics

Verifying Connections

A properly operating fieldbus is essential for evaluating status and error messages.

If the product cannot be addressed via the fieldbus, first verify the connections.

Verify the following connections:

- System power supply
- Supply connections
- Fieldbus cables and wiring
- Fieldbus connection

Fieldbus Function Test

If the connections are correct, verify that you can address the product on the fieldbus.

Most Recent Detected Error - Status Bits

Parameter `DCOMstatus`

The parameter `DCOMstatus` is a part of the process data communication. The parameter `DCOMstatus` is transmitted asynchronously and in an event-driven way whenever the status information changes.

In the case of an error of error class 0, bit 7 is set in the parameter `DCOMstatus`.

In the case of an error of error class 1, 2, 3 or 4, bit 13 is set in the parameter `DCOMstatus`.

Parameter name HMI menu HMI name	Description	Unit Minimum value Factory setting Maximum value	Data type R/W Persistent Expert	Parameter address via fieldbus
<code>_DCOMstatus</code>	DriveCom status word. Bit assignments: Bit 0: Operating state Ready To Switch On Bit 1: Operating state Switched On Bit 2: Operating state Operation Enabled Bit 3: Operating state Fault Bit 4: Voltage Enabled Bit 5: Operating state Quick Stop Bit 6: Operating state Switch On Disabled Bit 7: Error of error class 0 Bit 8: HALT request active Bit 9: Remote Bit 10: Target Reached Bit 11: Internal Limit Active Bit 12: Operating mode-specific Bit 13: <code>x_err</code> Bit 14: <code>x_end</code> Bit 15: <code>ref_ok</code>	- - - -	UINT16 R/- - -	CANopen 6041:0 _h Modbus 6916 Profibus 6916 CIP 127.1.2 ModbusTCP 6916 EtherCAT 6041:0 _h PROFINET 6916

Error Bits

The parameters `_WarnLatched` and `_SigLatched` contain information on errors of error class 0 and errors of error classes 1 ... 4.

Parameter name HMI menu HMI name	Description	Unit Minimum value Factory setting Maximum value	Data type R/W Persistent Expert	Parameter address via fieldbus
_WarnLatched Π ο η W r n 5	<p>Saved errors of error class 0, bit-coded. The bits are set to 0 in the case of a Fault Reset. Bits 10 and 13 are set to 0 automatically.</p> <p>Signal state: 0: Not activated 1: Activated</p> <p>Bit assignments: Bit 0: General Bit 1: Reserved Bit 2: Out of range (software limit switches, tuning) Bit 3: Reserved Bit 4: Active operating mode Bit 5: Commissioning interface (RS485) Bit 6: Integrated fieldbus Bit 7: Reserved Bit 8: Following error Bit 9: Reserved Bit 10: Inputs STO_A and/or STO_B Bits 11 ... 12: Reserved Bit 13: Low voltage DC bus or mains phase missing Bits 14 ... 15: Reserved Bit 16: Integrated encoder interface Bit 17: Temperature of motor high Bit 18: Temperature of power stage high Bit 19: Reserved Bit 20: Memory card Bit 21: Fieldbus module Bit 22: Encoder module Bit 23: Safety module eSM or module IOM1 Bits 24 ... 27: Reserved Bit 28: Transistor for braking resistor overload (I²t) Bit 29: Braking resistor overload (I²t) Bit 30: Power stage overload (I²t) Bit 31: Motor overload (I²t)</p> <p>Monitoring functions are product-dependent.</p>	- - - -	UINT32 R/- - -	CANopen 301C:C _h Modbus 7192 Profibus 7192 CIP 128.1.12 ModbusTCP 7192 EtherCAT 301C:C _h PROFINET 7192

Parameter name HMI menu HMI name	Description	Unit Minimum value Factory setting Maximum value	Data type R/W Persistent Expert	Parameter address via fieldbus
_SigLatched П о н 5 , 6 5	<p>Saved status of monitoring signals.</p> <p>Signal state: 0: Not activated 1: Activated</p> <p>Bit assignments: Bit 0: General error Bit 1: Hardware limit switches (LIMP/LIMN/REF) Bit 2: Out of range (software limit switches, tuning) Bit 3: Quick Stop via fieldbus Bit 4: Error in active operating mode Bit 5: Commissioning interface (RS485) Bit 6: Integrated fieldbus Bit 7: Reserved Bit 8: Following error Bit 9: Reserved Bit 10: Inputs STO are 0 Bit 11: Inputs STO different Bit 12: Reserved Bit 13: DC bus voltage low Bit 14: DC bus voltage high Bit 15: Mains phase missing Bit 16: Integrated encoder interface Bit 17: Overtemperature motor Bit 18: Overtemperature power stage Bit 19: Reserved Bit 20: Memory card Bit 21: Fieldbus module Bit 22: Encoder module Bit 23: Safety module eSM or module IOM1 Bit 24: Reserved Bit 25: Reserved Bit 26: Motor connection Bit 27: Motor overcurrent/short circuit Bit 28: Frequency of reference signal too high Bit 29: Nonvolatile memory error detected Bit 30: System start-up (hardware or parameter) Bit 31: System error detected (for example, watchdog, internal hardware interface)</p> <p>Monitoring functions are product-dependent.</p>	- - - -	UINT32 R/- - -	CANopen 301C:8 _h Modbus 7184 Profibus 7184 CIP 128.1.8 ModbusTCP 7184 EtherCAT 301C:8 _h PROFINET 7184

Most Recent Detected Error - Error Code

Description

If the master controller receives information concerning a detected error via the process data communication, the following parameters can be used to read the error code.

The list of the error messages sorted by error code can be found in the chapter Error Messages (*see page 434*).

Most Recent Detected Error with Error Class 0

The parameter `_LastWarning` allows you to read the error number of the last detected error with error class 0.

Parameter name HMI menu HMI name	Description	Unit Minimum value Factory setting Maximum value	Data type R/W Persistent Expert	Parameter address via fieldbus
<code>_LastWarning</code> <i>П о н</i> <i>L W r n</i>	Code of most recent error of error class 0. If the error is no longer active, the code is stored until the next Fault Reset. Value 0: No error of error class 0	- - - -	UINT16 R/- - -	CANopen 301C:9h Modbus 7186 Profibus 7186 CIP 128.1.9 ModbusTCP 7186 EtherCAT 301C:9h PROFINET 7186

Most Recent Detected Error with Error Class 1 ... 4

The parameter `_LastError` allows you to read the error number of the last detected error with error class 1 ... 4.

Parameter name HMI menu HMI name	Description	Unit Minimum value Factory setting Maximum value	Data type R/W Persistent Expert	Parameter address via fieldbus
<code>_LastError</code> <i>П о н</i> <i>L F L t</i>	Detected error causing a stop (error classes 1 to 4). Error code of the most recent detected error. Consecutive detected errors do not overwrite this error code. Example: If an error response to a detected limit switch error causes overvoltage, this parameter contains the code of the detected limit switch error. Exception: Detected errors of error class 4 overwrite existing entries.	- - - -	UINT16 R/- - -	CANopen 603F:0h Modbus 7178 Profibus 7178 CIP 128.1.5 ModbusTCP 7178 EtherCAT 603F:0h PROFINET 7178

Error Memory

General

The error memory is an error history of the last 10 error messages. It is not cleared even if the product is powered off. The error memory allows you to read and evaluate past events.

The following information on the events is stored:

- Error class
- Error code
- Motor current
- Number of power on cycles
- Additional error information (for example, parameter numbers)
- Product temperature
- Power stage temperature
- Time the error was detected (with reference to operating hours counter)
- DC Bus Voltage
- Velocity
- Number of Enable cycles after powering on
- Time from Enable until detection of the error

The stored information relates to the situation at the point in time the error was detected.

The list of the error messages sorted by error code can be found in the chapter Error Messages (*see page 434*).

Reading the Error Memory

The error memory can only be read sequentially. The parameter `ERR_reset` must be used to reset the read pointer. Then the first error entry can be read. The read pointer is automatically set to the next entry. A new read access delivers the next error entry. If the error code 0 is returned, there is no additional error entry.

Position of the entry	Meaning
1	First error message (oldest message).
2	Second error message (later message).
...	...
10	Tenth error message. In the case of ten error messages, the most recent error message is contained here.

An error entry consists of several pieces of information which can be read using different parameters. When you read an error entry, the error code must be read first with the parameter `_ERR_number`.

The following parameters allow you to manage the error memory:

Parameter name HMI menu HMI name	Description	Unit Minimum value Factory setting Maximum value	Data type R/W Persistent Expert	Parameter address via fieldbus
<code>_ERR_class</code>	Error class. Value 0: Error class 0 Value 1: Error class 1 Value 2: Error class 2 Value 3: Error class 3 Value 4: Error class 4	- 0 - 4	UINT16 R/- - -	CANopen 303C:2 _h Modbus 15364 Profibus 15364 CIP 160.1.2 ModbusTCP 15364 EtherCAT 303C:2 _h PROFINET 15364
<code>_ERR_number</code>	Error code. Reading this parameter copies the entire entry for the detected error (error class, time of detection of error, ...) to an intermediate memory from which the elements of the detected error can then be read. In addition, the read pointer of the error memory is automatically set to the next error entry.	- 0 - 65535	UINT16 R/- - -	CANopen 303C:1 _h Modbus 15362 Profibus 15362 CIP 160.1.1 ModbusTCP 15362 EtherCAT 303C:1 _h PROFINET 15362

Parameter name HMI menu HMI name	Description	Unit Minimum value Factory setting Maximum value	Data type R/W Persistent Expert	Parameter address via fieldbus
_ERR_motor_I	Motor current at the time the error was detected. In increments of 0.01 A _{rms} .	A _{rms} - - -	UINT16 R/- - -	CANopen 303C:9 _h Modbus 15378 Profibus 15378 CIP 160.1.9 ModbusTCP 15378 EtherCAT 303C:9 _h PROFINET 15378
_ERR_powerOn П о н P o W o	Number of power on cycles.	- 0 - 4294967295	UINT32 R/- - -	CANopen 303B:2 _h Modbus 15108 Profibus 15108 CIP 159.1.2 ModbusTCP 15108 EtherCAT 303B:2 _h PROFINET 15108
_ERR_qual	Additional information on detected error. This entry contains additional information on the detected error, depending on the error number. Example: a parameter address	- 0 - 65535	UINT16 R/- - -	CANopen 303C:4 _h Modbus 15368 Profibus 15368 CIP 160.1.4 ModbusTCP 15368 EtherCAT 303C:4 _h PROFINET 15368
_ERR_temp_dev	Temperature of device at the time the error was detected.	°C - - -	INT16 R/- - -	CANopen 303C:B _h Modbus 15382 Profibus 15382 CIP 160.1.11 ModbusTCP 15382 EtherCAT 303C:B _h PROFINET 15382
_ERR_temp_ps	Temperature of power stage at the time the error was detected.	°C - - -	INT16 R/- - -	CANopen 303C:A _h Modbus 15380 Profibus 15380 CIP 160.1.10 ModbusTCP 15380 EtherCAT 303C:A _h PROFINET 15380
_ERR_time	Time of detection of error. With reference to operating hours counter	s 0 - 536870911	UINT32 R/- - -	CANopen 303C:3 _h Modbus 15366 Profibus 15366 CIP 160.1.3 ModbusTCP 15366 EtherCAT 303C:3 _h PROFINET 15366
_ERR_DCbus	DC bus voltage at the time the error was detected. In increments of 0.1 V.	V - - -	UINT16 R/- - -	CANopen 303C:7 _h Modbus 15374 Profibus 15374 CIP 160.1.7 ModbusTCP 15374 EtherCAT 303C:7 _h PROFINET 15374
_ERR_motor_v	Motor velocity at the time the error was detected.	usr_v - - -	INT32 R/- - -	CANopen 303C:8 _h Modbus 15376 Profibus 15376 CIP 160.1.8 ModbusTCP 15376 EtherCAT 303C:8 _h PROFINET 15376

Parameter name HMI menu HMI name	Description	Unit Minimum value Factory setting Maximum value	Data type R/W Persistent Expert	Parameter address via fieldbus
_ERR_enable_cycl	Number of cycles of enabling the power stage at error time. Number of cycles of enabling the power stage from the time the control voltage was applied to the time the error was detected.	- - - -	UINT16 R/- - -	CANopen 303C:5 _h Modbus 15370 Profibus 15370 CIP 160.1.5 ModbusTCP 15370 EtherCAT 303C:5 _h PROFINET 15370
_ERR_enable_time	Time between enabling of power stage and detection of the error.	s - - -	UINT16 R/- - -	CANopen 303C:6 _h Modbus 15372 Profibus 15372 CIP 160.1.6 ModbusTCP 15372 EtherCAT 303C:6 _h PROFINET 15372
ERR_reset	Reset error memory read pointer. Value 1: Set error memory read pointer to oldest error entry. Modified settings become active immediately.	- 0 - 1	UINT16 R/W - -	CANopen 303B:5 _h Modbus 15114 Profibus 15114 CIP 159.1.5 ModbusTCP 15114 EtherCAT 303B:5 _h PROFINET 15114
ERR_clear	Clear error memory. Value 1: Delete entries in the error memory The clearing process is completed if a 0 is returned after a read access. Modified settings become active immediately.	- 0 - 1	UINT16 R/W - -	CANopen 303B:4 _h Modbus 15112 Profibus 15112 CIP 159.1.4 ModbusTCP 15112 EtherCAT 303B:4 _h PROFINET 15112

Section 10.4

Error Messages

What Is in This Section?

This section contains the following topics:

Topic	Page
Description of Error Messages	435
Table of Error Messages	436

Description of Error Messages

Description

If monitoring functions of the drive detect an error, the drive generates an error message. Each error message is identified by an error code.

The following information is available for each error message:

- Error code
- Error class
- Description of error
- Possible causes
- Possible remedies

Range of Error Messages

The table below summarizes the error codes classified by range.

Error code	Range
E 1xxx	General
E 2xxx	Overcurrent
E 3xxx	Voltage
E 4xxx	Temperature
E 5xxx	Hardware
E 6xxx	Software
E 7xxx	Interface, wiring
E 8xxx	Fieldbus
E Axxx	Motor movement
E Bxxx	Communication

Error Class of Error Messages

The error messages are classified according to the following error classes:

Error class	State transition ¹⁾	Error response	Resetting the error message
0	-	No interruption of the movement	Function "Fault Reset"
1	T11	Stop movement with "Quick Stop"	Function "Fault Reset"
2	T13, T14	Stop movement with "Quick Stop" and disable the power stage when the motor has come to a standstill	Function "Fault Reset"
3	T13, T14	Disable the power stage immediately without stopping the movement first	Function "Fault Reset"
4	T13, T14	Disable the power stage immediately without stopping the movement first	Power cycle

(1) See chapter Operating State ([see page 260](#))

Table of Error Messages

List of the Error Messages Sorted by Error Code

Error code	Error class	Description	Cause	Correctives
E 1100	0	Parameter out of permissible value range	The value entered was outside of the permissible value range for this parameter.	The entered value must be within the permissible value range.
E 1101	0	Parameter does not exist	Error detected by parameter management: Parameter (index) does not exist.	Select a different parameter (index).
E 1102	0	Parameter does not exist	Error detected by parameter management: Parameter (subindex) does not exist.	Select a different parameter (subindex).
E 1103	0	Parameter write not permissible (READ only)	Write access to read only parameter.	Write only to parameters that are not read-only.
E 1104	0	Write access denied (no access authorization)	Parameter only accessible at expert level.	The write access level expert is required.
E 1105	0	Block Upload/Download not initialized	-	-
E 1106	0	Command not permissible while power stage is active	Command not permissible while the power stage is enabled (operating state Operation Enabled or Quick Stop Active).	Disable the power stage and repeat the command.
E 1107	0	Access via other interface blocked	Access occupied by another channel (for example: Commissioning software is active and fieldbus access was tried at the same time).	Verify the channel that blocks access.
E 1108	0	File cannot be uploaded: Incorrect file ID	-	-
E 1109	1	Data stored after a power outage is invalid	-	-
E 110A	0	System error detected: No bootloader available	-	-
E 110B	3	Configuration error detected. Additional information in the error memory indicates the Modbus register address. Parameter <code>_SigLatched</code> Bit 30	Error detected during parameter check (for example, reference velocity value for operating mode Profile Position is greater than maximum permissible velocity of drive).	Value in additional error information shows the Modbus register address of the parameter where the initialization error was detected.
E 110D	1	Basic configuration of drive required after factory setting	The "First Setup" (FSU) was not run at all or not completed.	Perform a First Setup.
E 110E	0	Parameter changed that requires a restart of the drive	Only displayed by the commissioning software. A parameter modification requires the drive to be powered off and on.	Restart the drive to activate the parameter functionality. See the chapter Parameters for the parameter that requires a restart of the drive.
E 110F	0	Function not available in this type of device	The specific type of device does not support this function or this parameter value.	Verify that you have the correct device type, in particular type of motor, type of encoder, holding brake.
E 1110	0	Incorrect file ID for upload or download	The specific type of device does not support this kind of file.	Verify that you have the correct device type or the correct configuration file.
E 1111	0	File transfer not correctly initialized	A previous file transfer has been aborted.	-
E 1112	0	Locking of configuration denied	An external tool has tried to lock the configuration of the drive for upload or download. This may not work because another tool had already locked the configuration of the drive or the drive is in an operating state that does not allow locking.	-
E 1113	0	System not locked for configuration transfer	An external tool has tried to transfer the configuration without locking the drive.	-

Error code	Error class	Description	Cause	Correctives
E 1114	4	Configuration download aborted Parameter <code>_SigLatched</code> Bit 5	During a configuration download, a communication error or an error in the external tool was detected. The configuration was only partially transferred to the drive and might be inconsistent now.	Power the drive off/on and retry to download the configuration or restore the factory settings.
E 1115	0	Incorrect configuration file format Parameter <code>_WarnLatched</code> Bit 5	An external tool has downloaded a configuration which has an incorrect format.	-
E 1116	0	Request is processed asynchronously	-	-
E 1117	0	Asynchronous request blocked	Request to a module is blocked because the module is currently processing another request.	-
E 1118	0	Configuration data incompatible with device	The configuration data contains data from a different device.	Verify device type including type of power stage.
E 1119	0	Incorrect data length, too many bytes	-	-
E 111A	0	Incorrect data length, insufficient number of bytes	-	-
E 111B	4	Configuration download error detected. Additional information in the error memory indicates the Modbus register address.	During a configuration download, one or more configuration values were not accepted by the drive.	Verify that the configuration file is valid and matches the type and version of the drive. The value in the additional error info shows the Modbus register address of the parameter where the initialization error was detected.
E 111C	1	Not possible to initialize recalculation for scaling	A parameter could not be initialized.	The address of the parameter that caused the detected error can be read via the parameter <code>_PAR_ScalingError</code> .
E 111D	3	Original state of a parameter cannot be restored after an error was detected during recalculation of parameters with user-defined units.	The drive contained an invalid configuration before the recalculation was started. An error was detected during the recalculation.	Power the drive off and on again. This may help you to identify the affected parameter(s). Change the parameters as required. Verify that the parameter configuration is valid before starting the recalculation procedure.
E 111E	1	Not possible to recalculate data set	A data set of the operating mode Motion Sequence could not be recalculated.	The address of the parameter and the number of the data set that caused this condition can be read via the parameter <code>_PAR_ScalingError</code> .
E 111F	1	Recalculation not possible.	Invalid scaling factor.	Verify that you really want the selected scaling factor. Try a different scaling factor. Before triggering scaling, reset the parameters with user-defined units.
E 1120	1	Recalculation for scaling not possible	A parameter could not be recalculated.	The address of the parameter that caused this condition can be read via the parameter <code>_PAR_ScalingError</code> .
E 1121	0	Incorrect sequence of steps for scaling (fieldbus)	The recalculation has been started prior to the initialization.	The recalculation must be started after the initialization.
E 1122	0	Recalculation for scaling not possible	Recalculation for scaling is already running.	Wait for the running recalculation for scaling to finish.
E 1123	0	Parameter cannot be changed	Recalculation for scaling is running.	Wait for the running recalculation for scaling to finish.
E 1124	1	Timeout during recalculation for scaling	The time between the initialization of the recalculation and the start of the recalculation has been exceeded (30 seconds).	Recalculation must be started within 30 seconds after initialization.
E 1125	1	Scaling not possible	The scaling factors for position, velocity or acceleration/deceleration are beyond internal calculation limits.	Retry with different scaling factors.
E 1126	0	Configuration is blocked by another access channel	-	Close other access channel (for example, other instance of commissioning software).
E 1127	0	Invalid key received	-	-

Error code	Error class	Description	Cause	Correctives
E 1128	0	Special login is required for Manufacturing Test Firmware	-	-
E 1129	0	Test step not yet started	-	-
E 112D	0	Configuration of edges is not supported	The selected capture input does not support rising and falling edge at the same time.	Set the edge to either "rising" or "falling".
E 112F	0	Time filter settings cannot be changed	Position capture is already active with a time filter. The filter settings cannot be changed.	Deactivate position capture.
E 1130	0	Incorrect parameter setting	The parameter ENC_ModeOfMaEnc is set to "Velocity And Position". The parameter ErrorResp_PDifEncM is set to "Error Class 1" or "Error Class 2". The combination of these settings is invalid.	Set parameter ErrorResp_PDifEncM to "Error Class 3".
E 1131	0	Function not available	Function not available	-
E 1132	0	Incorrect size of configuration file (odd number of bytes)	Incorrect number of bytes.	Retry. If the condition persists, contact your Schneider Electric service representative.
E 1300	3	Safety function STO activated (STO_A, STO_B) Parameter _SigLatched Bit 10	The safety function STO was activated in the operating state Operation Enabled.	Verify correct wiring of the inputs of the safety function STO and perform a Fault Reset.
E 1301	4	STO_A and STO_B different level Parameter _SigLatched Bit 11	The levels of the inputs STO_A and STO_B were different for more than 1 second.	Verify correct wiring of the inputs of the safety function STO.
E 1302	0	Safety function STO activated (STO_A, STO_B) Parameter _WarnLatched Bit 10	Safety function STO was activated while the power stage was disabled.	Verify correct wiring of the inputs of the safety function STO.
E 1310	2	Frequency of the external reference value signal too high Parameter _SigLatched Bit 28	The frequency of the external reference value signals (A/B signals, P/D signals or CW/CCW signals) is higher than the permissible value.	Verify the frequency of the external reference values. Verify the gear ratio in the operating mode Electronic Gear.
E 1311	0	The selected signal input function or signal output function cannot be configured	The selected signal input function or signal output function cannot be used in the selected operating mode.	Select another function or change the operating mode.
E 1312	0	Limit switch or reference switch signal not defined for signal input function	Reference movements require limit switches. These limit switches are not assigned to inputs.	Assign the signal input functions Positive Limit Switch, Negative Limit Switch and Reference Switch.
E 1313	0	Configured debounce time not possible for this signal input function	The signal input function does not support the selected debounce time.	Set the debounce time to a valid value.
E 1314	4	At least two inputs have the same signal input function.	The same signal input function has been assigned to at least two inputs.	Reconfigure the inputs.
E 1315	0	Frequency of reference value signal is too high. Parameter _WarnLatched Bit 28	The frequency of the pulse signal (A/B, Pulse/Direction, CW/CCW) exceeds the specified range. Received pulses may be lost.	Adapt the frequency of the reference value signal to match the input specification of the drive. Also adapt the gear ratio in the operating mode Electronic Gear to the application requirements (position accuracy and velocity).
E 1316	1	Position capture via signal input currently not possible Parameter _SigLatched Bit 28	Position capture is already being used.	-
E 1317	0	Interference at PTI input Parameter _WarnLatched Bit 28	Interfering pulses or impermissible edge transitions (A and B signal simultaneously) have been detected.	Verify cable specifications, shield connection and EMC.
E 1318	0	The selected type of usage of the analog inputs is not possible.	At least two analog inputs are configured with the same type of usage.	Reconfigure the analog inputs.
E 1501	4	System error detected: DriveCom state machine indeterminable state	-	-

Error code	Error class	Description	Cause	Correctives
E 1502	4	System error detected: HWL low-level state machine indeterminable state	-	-
E 1503	1	Quick Stop triggered via fieldbus	A Quick Stop has been triggered via the fieldbus. The Quick Stop option code has been set to -1 or -2 which causes the drive to transition to the operating state 9 Fault instead of the operating state 7 Quick Stop Active.	-
E 1600	0	Oscilloscope: No additional data available	-	-
E 1601	0	Oscilloscope: Parameterization incomplete	-	-
E 1602	0	Oscilloscope: Trigger variable not defined	-	-
E 1606	0	Logging still active	-	-
E 1607	0	Logging: No trigger defined	-	-
E 1608	0	Logging: Invalid trigger option	-	-
E 1609	0	Logging: No channel selected	-	-
E 160A	0	Logging: No data available	-	-
E 160B	0	Parameter cannot be logged	-	-
E 160C	1	Autotuning: Moment of inertia outside permissible range	The load inertia is too high.	Verify that the system can easily be moved. Verify the load. Use a differently rated drive.
E 160E	1	Autotuning: Test movement could not be started	-	-
E 160F	1	Autotuning: Power stage cannot be enabled	Autotuning was not started in the operating state Ready To Switch On.	Start Autotuning when the drive is in the operating state Ready To Switch On.
E 1610	1	Autotuning: Processing stopped	Autotuning stopped by user command or by detected error (see additional error message in error memory, for example, DC bus undervoltage, limit switches triggered)	Remove the cause of the stop and restart Autotuning.
E 1611	1	System error detected: Parameter could not be written during Autotuning. Additional information in the error memory indicates the Modbus register address.	-	-
E 1612	1	System error detected: Parameter could not be read during Autotuning	-	-
E 1613	1	Autotuning: Maximum permissible movement range exceeded Parameter_SigLatched Bit 2	The movement exceeded the adjusted movement range during Autotuning.	Increase the movement range value or disable movement range monitoring by setting AT_DIS = 0.
E 1614	0	Autotuning: Already active	Autotuning has been started twice simultaneously or an Autotuning parameter is modified during Autotuning (parameter AT_dis and AT_dir).	Wait for Autotuning to finish before restarting Autotuning.
E 1615	0	Autotuning: This parameter cannot be changed while Autotuning is active	Parameter AT_gain or AT_J are written during Autotuning.	Wait for Autotuning to finish before changing the parameter.
E 1617	1	Autotuning: Friction torque or load torque too great	The current limit has been reached (parameter CTRL_I_max).	Verify that the system can easily be moved. Verify the load. Use a differently rated drive.
E 1618	1	Autotuning: Optimization aborted	The internal Autotuning sequence has not been finished, there may have been a following error.	See the additional information provided in the error memory.

Error code	Error class	Description	Cause	Correctives
E 1619	0	Autotuning: Velocity jump in parameter AT_n_ref is not sufficient	Parameter AT_n_ref < 2 * AT_n_tolerance. The drive only checks this for the first velocity jump.	Modify the parameter AT_n_ref or AT_n_tolerance to meet the required condition.
E 1620	1	Autotuning: Load torque too high	Product rating is not suitable for the machine load. Detected machine inertia is too high compared to the inertia of the motor.	Reduce load, verify rating.
E 1621	1	System error detected: Calculation error	-	-
E 1622	0	Autotuning: Not possible to perform Autotuning	Autotuning can only be performed if no operating mode is active.	Terminate the active operating mode or disable the power stage.
E 1623	1	Autotuning: HALT request has stopped the autotuning process	Autotuning can only be performed if no operating mode is active.	Terminate the active operating mode or disable the power stage.
E 1A00	0	System error detected: FIFO memory overflow	-	-
E 1A01	3	Motor has been changed (different type of motor) Parameter _SigLatched Bit 16	Detected motor type is different from previously detected motor.	Confirm the change.
E 1A03	4	System error detected: Hardware and firmware do not match	-	-
E 1B00	3	System error detected: Incorrect parameters for motor and power stage Parameter _SigLatched Bit 30	Incorrect manufacturer parameter value (data) nonvolatile memory of device.	Replace device.
E 1B02	3	Target value too high. Parameter _SigLatched Bit 30	-	-
E 1B04	2	Product of encoder simulation resolution and the maximum velocity is too high Parameter _SigLatched Bit 30	Value in parameter CTRL_v_max or resolution or the encoder simulation ESIM_scale are too high.	Reduce the resolution of the encoder simulation or the maximum velocity in parameter CTRL_v_max.
E 1B05	2	Error detected during parameter switching Parameter _SigLatched Bit 30	-	-
E 1B06	3	Wake & shake cannot be started. Parameter _SigLatched Bit 30	Motor velocity is too high at the beginning of the wake and shake procedure.	Verify that the motor is at a standstill at the beginning wake and shake procedure.
E 1B07	0	Motor velocity is too high at the end of the wake and shake sequence.	Motor was not at a standstill at the end of the wake and shake sequence. Depending on the mechanical system, the commutation offset calculated during wake and shake might be incorrect.	Verify the mechanical system.
E 1B08	3	Position difference during the wake and shake procedure is too high.	Incorrect motor data entered by user (especially motor resistance, motor inertia (in case of rotary motors) or motor mass (in case of linear motors)). Incorrect setting for parameter WakeAndShakeGain.	Verify motor data. Verify setting of parameter WakeAndShakeGain.
E 1B09	0	The reference current during the wake and shake procedure is reduced as a result of I2t monitoring.	The current used during wake and shake is too high.	-
E 1B0A	0	Reference current during wake and shake might be too high for the power stage used.	The wake and shake procedure is performed with the nominal motor current. If the nominal motor current is greater than the nominal power stage current, power stage I2t monitoring might reduce the current used during wake and shake.	-
E 1B0B	1	The operating state at the beginning of the commutation offset identification must be Ready To Switch On.	-	Set the operating state to Ready To Switch On and restart commutation offset identification.

Error code	Error class	Description	Cause	Correctives
E 1B0C	3	Motor velocity too high.	-	-
E 1B0D	3	Velocity value determined by velocity observer is incorrect	Incorrect system inertia for velocity observer calculations. Incorrect velocity observer dynamics. System inertia changes during operation. In this case, operation with velocity observer is not possible and the velocity observer must be deactivated.	Change the velocity observer dynamics via the parameter CTRL_SpdObsDyn. Change the system inertia used for velocity observer calculations via the parameter CTRL_SpdObsInert. If the detected error persists, deactivate the velocity observer.
E 1B0E	3	Not possible to determine the commutation angle at the end of the wake and shake procedure	Incorrect motor data, for example motor resistance, motor inertia (in case of rotary motors) or motor mass (in case of linear motors). Incorrect setting for parameter WakeAndShakeGain. Holding brake (if available) not properly wired.	Verify correct motor data. Verify setting of parameter WakesAndShakeGain. Verify correct wiring of holding brake.
E 1B0F	3	Velocity deviation too high	-	-
E 2300	3	Power stage overcurrent Parameter_SigLatched Bit 27	Motor short circuit and disabling of the power stage. Motor phases are inverted.	Verify the motor power connection.
E 2301	3	Braking resistor overcurrent Parameter_SigLatched Bit 27	Braking resistor short circuit.	If you use the internal braking resistor, contact your Schneider Electric service representative. If you use an external braking resistor, verify correct wiring and rating of the braking resistor.
E 3100	par.	Missing mains supply, undervoltage mains supply or overvoltage mains supply Parameter_SigLatched Bit 15	Missing phase(s) for more than 50 ms. Mains voltage is out of range. Mains frequency is out of range.	Verify that the values of the mains power supply network comply with the technical data.
E 3200	3	DC bus overvoltage Parameter_SigLatched Bit 14	Excessive regeneration during deceleration.	Verify correct deceleration ramp, rating of drive and braking resistor.
E 3201	3	DC bus undervoltage (shutdown threshold) Parameter_SigLatched Bit 13	Power supply outage, insufficient power supply.	Verify mains supply.
E 3202	2	DC bus undervoltage (Quick Stop threshold) Parameter_SigLatched Bit 13	Power supply outage, insufficient power supply.	Verify mains supply.
E 3206	0	Undervoltage DC bus, missing mains supply, undervoltage mains supply or overvoltage mains supply Parameter_WarnLatched Bit 13	Missing phase(s) for more than 50 ms. Mains voltage is out of range. Mains frequency is out of range. Mains voltage and setting of parameter MON_MainsVolt do not match (for example, mains voltage is 230 V and MON_MainsVolt is set to 115 V).	Verify that the values of the mains power supply network comply with the technical data. Verify the settings of the parameter for reduced mains voltage.
E 3300	0	The winding voltage of the motor is lower than the nominal supply voltage of the drive	If the winding voltage of the motor is lower than the nominal supply voltage of the drive, this may result in motor overtemperature due to high current ripple.	Verify the motor temperature. In the case of overtemperature, use a motor with a higher winding voltage or use a drive with a lower nominal supply voltage.
E 4100	3	Power stage overtemperature Parameter_SigLatched Bit 18	Excessively high ambient temperature due to, for example, dust.	Improve heat dissipation. If a fan is installed, verify correct operation of the fan.
E 4101	0	Power stage overtemperature Parameter_WarnLatched Bit 18	Excessively high ambient temperature due to, for example, dust.	Improve heat dissipation. If a fan is installed, verify correct operation of the fan.
E 4102	0	Power stage overload (I2t) Parameter_WarnLatched Bit 30	The current has exceeded the nominal value for an extended period of time.	Verify rating, reduce cycle time.
E 4200	3	Device overtemperature Parameter_SigLatched Bit 18	Excessively high ambient temperature due to, for example, dust.	Improve heat dissipation. If a fan is installed, verify correct operation of the fan.

Error code	Error class	Description	Cause	Correctives
E 4300	2	Motor overtemperature Parameter <code>_SigLatched</code> Bit 17	Ambient temperature is too high. Duty cycle is too high. Motor not properly mounted (thermal isolation). Motor overload.	Verify motor installation: The heat must be dissipated via the mounting surface. Reduce ambient temperature. Provide ventilation.
E 4301	0	Motor overtemperature Parameter <code>_WarnLatched</code> Bit 17	Ambient temperature is too high. Duty cycle is too high. Motor not properly mounted (thermal isolation). Motor overload.	Verify motor installation: The heat must be dissipated via the mounting surface. Reduce ambient temperature. Provide ventilation.
E 4302	0	Motor overload (I2t) Parameter <code>_WarnLatched</code> Bit 31	The current has exceeded the nominal value for an extended period of time.	Verify that the system can easily be moved. Verify the load. Use a differently sized motor, if necessary.
E 4303	0	No motor temperature monitoring	The temperature parameters (in electronic nameplate of motor, nonvolatile memory of encoder) are unavailable or invalid; parameter A12 is equal to 0.	Contact your Schneider Electric service representative. Replace motor.
E 4304	0	The encoder does not support motor temperature monitoring.	-	-
E 4402	0	Braking resistor overload (I2t > 75%) Parameter <code>_WarnLatched</code> Bit 29	Regeneration energy too high. External loads too high. Motor velocity too high. Deceleration too fast. Insufficient braking resistor.	Reduce load, velocity, deceleration. Verify correct braking resistor rating.
E 4403	par.	Braking resistor overload (I2t > 100%)	Regeneration energy too high. External loads too high. Motor velocity too high. Deceleration too fast. Insufficient braking resistor.	Reduce load, velocity, deceleration. Verify correct braking resistor rating.
E 4404	0	Overload of transistor for braking resistor Parameter <code>_WarnLatched</code> Bit 28	Regeneration energy too high. External loads too high. Deceleration too fast.	Reduce load and/or deceleration.
E 5101	0	Modbus power supply missing	-	-
E 5102	4	Motor encoder supply voltage Parameter <code>_SigLatched</code> Bit 16	Encoder power supply is not within permissible range of 8 V to 12 V.	Replace the device. Contact your Schneider Electric service representative.
E 5200	4	Error detected at connection to motor encoder Parameter <code>_SigLatched</code> Bit 16	Encoder not properly connected, EMI	-
E 5201	4	Error detected in motor encoder communication Parameter <code>_SigLatched</code> Bit 16	Encoder not properly connected, EMI	-
E 5202	4	Motor encoder is not supported Parameter <code>_SigLatched</code> Bit 16	Incompatible encoder connected.	-
E 5203	4	Error detected in connection motor encoder Parameter <code>_SigLatched</code> Bit 16	Encoder not properly connected	-
E 5204	3	Connection to motor encoder lost Parameter <code>_SigLatched</code> Bit 16	Encoder not properly connected	-
E 5206	0	Communication error detected in encoder Parameter <code>_WarnLatched</code> Bit 16	Communication channel to encoder is subject to interference.	Verify EMC measures.
E 5207	1	Function is not supported	The hardware revision does not support the function.	-
E 5302	4	The motor requires a PWM frequency (16kHz) which the power stage does not support.	The motor only works with a PWM frequency of 16 kHz (motor nameplate entry). However, the power stage does not support this PWM frequency.	Use a motor that works with a PWM frequency of 8 kHz. Contact your Schneider Electric service representative.

Error code	Error class	Description	Cause	Correctives
E 5430	4	System error detected: Nonvolatile memory read error Parameter _SigLatched Bit 29	-	-
E 5431	3	System error: Nonvolatile memory write error Parameter _SigLatched Bit 29	-	-
E 5432	3	System error: Nonvolatile memory state machine Parameter _SigLatched Bit 29	-	-
E 5433	3	System error: Nonvolatile memory address error Parameter _SigLatched Bit 29	-	-
E 5434	3	System error: Nonvolatile memory incorrect data length Parameter _SigLatched Bit 29	-	-
E 5435	4	System error: Nonvolatile memory not formatted Parameter _SigLatched Bit 29	-	-
E 5436	4	System error: Nonvolatile memory incompatible structure Parameter _SigLatched Bit 29	-	-
E 5437	4	System error detected: Nonvolatile memory checksum error (manufacturer data) Parameter _SigLatched Bit 29	-	-
E 5438	3	System error detected: Nonvolatile memory checksum error (user parameters) Parameter _SigLatched Bit 29	-	-
E 5439	3	System error detected: Nonvolatile memory checksum error (fieldbus parameters) Parameter _SigLatched Bit 29	-	-
E 543B	4	System error detected: No valid manufacturer data Parameter _SigLatched Bit 29	-	-
E 543E	3	System error detected: Nonvolatile memory checksum error (Nolnit parameter) Parameter _SigLatched Bit 29	-	-
E 543F	3	System error detected: Nonvolatile memory checksum error (motor parameters) Parameter _SigLatched Bit 29	-	-
E 5441	4	System error detected: Nonvolatile memory checksum error (global control loop parameter set) Parameter _SigLatched Bit 29	-	-
E 5442	4	System error detected: Nonvolatile memory checksum error (control loop parameter set 1) Parameter _SigLatched Bit 29	-	-
E 5443	4	System error detected: Nonvolatile memory checksum error (control loop parameter set 2) Parameter _SigLatched Bit 29	-	-
E 5444	4	System error detected: Nonvolatile memory checksum error (NoReset parameter) Parameter _SigLatched Bit 29	-	-

Error code	Error class	Description	Cause	Correctives
E 5445	4	System error detected: Nonvolatile memory checksum error (hardware information) Parameter _SigLatched Bit 29	-	-
E 5446	4	System error detected: Nonvolatile memory checksum error (for power outage data) Parameter _SigLatched Bit 29	Internal nonvolatile memory not operative.	Restart the drive. If the detected error persists, contact your Schneider Electric service representative.
E 5447	3	System error detected: Nonvolatile memory checksum error (data sets operating mode Motion Sequence) Parameter _SigLatched Bit 29	-	-
E 5448	2	System error detected: Communication with memory card Parameter _SigLatched Bit 20	-	-
E 5449	2	System error detected: Memory card bus is busy Parameter _SigLatched Bit 20	-	-
E 544A	4	System error detected: Nonvolatile memory checksum error (administration data) Parameter _SigLatched Bit 29	-	-
E 544B	4	System error detected: Nonvolatile memory checksum error (DeviceNet data) Parameter _SigLatched Bit 29	-	-
E 544C	4	System error detected: Nonvolatile memory is write-protected Parameter _SigLatched Bit 29	-	-
E 544D	2	System error detected: Memory card Parameter _SigLatched Bit 20	The last saving procedure may not have been successful; the memory card may be inoperative.	Retry saving the data. Replace the memory card.
E 544E	2	System error detected: Memory card Parameter _SigLatched Bit 20	The last saving procedure may not have been successful; the memory card may be inoperative.	Retry saving the data. Replace the memory card.
E 544F	2	System error detected: Memory card Parameter _SigLatched Bit 20	The last saving procedure may not have been successful; the memory card may be inoperative.	Retry saving the data. Replace the memory card.
E 5451	0	System error detected: No memory card available Parameter _WarnLatched Bit 20	-	-
E 5452	2	System error detected: Data on memory card and device do not match Parameter _SigLatched Bit 20	Different type of device. Different type of power stage. Data on memory card does not match firmware version of device.	-
E 5453	2	System error detected: Incompatible data on the memory card Parameter _SigLatched Bit 20	-	-
E 5454	2	System error detected: Capacity of detected memory card insufficient Parameter _SigLatched Bit 20	-	-
E 5455	2	System error detected: Memory card not formatted Parameter _SigLatched Bit 20	-	Format memory card or copy data from drive to memory card.
E 5456	1	System error detected: Memory card is write-protected Parameter _SigLatched Bit 20	The memory card has been write-protected.	Remove memory card or disable write protection.
E 5457	2	System error detected: Incompatible memory card Parameter _SigLatched Bit 20	Memory card capacity is insufficient.	Replace memory card

Error code	Error class	Description	Cause	Correctives
E 5462	0	Memory card implicitly written by the device Parameter _WarnLatched Bit 20	The content of the memory card and the content of the nonvolatile memory are not identical.	-
E 5468	3	System error detected: Nonvolatile memory checksum error (device name) Parameter _SigLatched Bit 29	-	-
E 5469	3	System error detected: Nonvolatile memory checksum error (SNMP information) Parameter _SigLatched Bit 29	-	-
E 546A	3	System error detected: Nonvolatile memory checksum error Parameter _SigLatched Bit 29	-	-
E 546B	3	System error detected: Nonvolatile memory checksum error (LLDP MIB data) Parameter _SigLatched Bit 29	-	-
E 546C	0	Nonvolatile memory file not available	-	-
E 546D	3	System error detected: Checksum error in nonvolatile memory (IM data) Parameter _SigLatched Bit 29	-	-
E 5500	3	System error detected: Timeout during transmission of data	-	-
E 5501	4	System error detected: Received toggle bit does not match	Software watchdog safety module eSM (CPU_A)	-
E 5502	2	System error detected: Timeout during read/write request	-	-
E 5503	2	System error detected: Invalid response in the case of a read/write request	-	-
E 5504	4	System error detected: Safety module not available	-	-
E 5505	4	System error detected: Indeterminable type of safety module	-	-
E 5506	1	Error detected during write access to safety module via fieldbus. Additional information in the error memory indicates the detailed error code.	-	-
E 5507	3	A Fault Reset was not processed by the safety module eSM	The safety module eSM was unable to execute the Fault Reset, for example, because it was still processing an error response.	Trigger the Fault Reset again.
E 5600	3	Motor connection phase error detected Parameter _SigLatched Bit 26	Missing motor phase.	-
E 5603	3	Commutation error detected. Additional information in the error memory indicates Internal_DeltaQuep. Parameter _SigLatched Bit 26	Incorrect wiring of motor cable. Encoder signals are lost or subject to interference. The load torque is greater than the motor torque. The encoder nonvolatile memory contains incorrect data (encoder phase offset is incorrect). Motor is not adjusted.	Verify motor phases, verify encoder wiring. Improve EMC, verify grounding and shield connection. Use a differently sized motor that can withstand the load torque. Verify the motor data. Contact your Schneider Electric service representative.
E 6102	4	System error detected: Internal software error Parameter _SigLatched Bit 30	-	-
E 6103	4	System error detected: System stack overflow Parameter _SigLatched Bit 31	-	-

Error code	Error class	Description	Cause	Correctives
E 6104	0	System error detected: Division by zero (internal)	-	-
E 6105	0	System error detected: Overflow during 32 bit calculation (internal)	-	-
E 6106	4	System error detected: Size of data interface does not match Parameter <code>_SigLatched</code> Bit 30	-	-
E 6107	0	Parameter outside of value range (calculation error detected)	-	-
E 6108	0	Function not available	-	-
E 6109	0	System error detected: Internal range exceeded	-	-
E 610A	2	System error detected: Calculated value cannot be represented as a 32 bit value	-	-
E 610D	0	Error detected in selection parameter	Incorrect parameter value selected.	Verify the value to be written.
E 610E	4	System error detected: 24 VDC below undervoltage threshold for shutdown	-	-
E 610F	4	System error detected: Internal timer basis missing (Timer0) Parameter <code>_SigLatched</code> Bit 30	-	-
E 6111	2	System error detected: Memory area locked Parameter <code>_SigLatched</code> Bit 30	-	-
E 6112	2	System error detected: Out of memory Parameter <code>_SigLatched</code> Bit 30	-	-
E 6113	1	System error detected: Calculated value cannot be represented as a 16 bit value	-	-
E 6114	4	System error detected: Impermissible function call from interrupt service routine	Incorrect programming	-
E 6117	0	Holding brake cannot be released manually.	The holding brake cannot be released manually because it is still applied manually.	First, switch from applying the holding brake manually to Automatic, then to releasing the holding brake manually.
E 7100	4	System error detected: Invalid power stage data Parameter <code>_SigLatched</code> Bit 30	Error detected in power stage data stored in device (incorrect CRC), error detected in internal memory data.	Contact your Schneider Electric service representative or replace the device.
E 7110	2	System error detected: Internal braking resistor	Internal braking resistor is inoperative or not connected.	Contact your Schneider Electric service representative.
E 7111	0	Parameter cannot be changed because the external braking resistor is active.	An attempt is made to change one of the parameters <code>RESext_ton</code> , <code>RESext_P</code> or <code>RESext_R</code> even though the external braking resistor is active.	Verify that the external braking resistor is not active if one of the parameters <code>RESext_ton</code> , <code>RESext_P</code> or <code>RESext_R</code> has to be changed.
E 7112	2	No external braking resistor connected	External braking resistor activated (Parameter <code>RESint_ext</code>), but no external resistor is detected.	Verify wiring of the external braking resistor. Verify correct resistance.
E 7120	4	Invalid motor data Parameter <code>_SigLatched</code> Bit 16	Motor data is incorrect (incorrect CRC).	Contact your Schneider Electric service representative or replace the motor.
E 7121	2	System error detected: Error in motor encoder communication Parameter <code>_SigLatched</code> Bit 16	EMI, detailed information can be found in the error memory that contains the error code of the encoder.	Contact your Schneider Electric service representative.
E 7122	4	Invalid motor data Parameter <code>_SigLatched</code> Bit 30	Error detected in motor data stored in motor encoder, error detected in internal memory data.	Contact your Schneider Electric service representative or replace the motor.
E 7124	4	System error detected: Motor encoder inoperative Parameter <code>_SigLatched</code> Bit 16	-	Contact your Schneider Electric service representative or replace the motor.

Error code	Error class	Description	Cause	Correctives
E 7125	4	System error detected: Length specification for user data too great Parameter _SigLatched Bit 16	-	-
E 7129	0	System error detected: Motor encoder Parameter _WarnLatched Bit 16	-	-
E 712C	0	System error detected: Communication with encoder not possible Parameter _WarnLatched Bit 16	-	-
E 712D	4	Electronic motor nameplate not found Parameter _SigLatched Bit 16	Incorrect motor data (incorrect CRC). Motor without electronic motor nameplate (for example, SER motor)	Contact your Schneider Electric service representative or replace the motor.
E 712F	0	No data segment of the electronic motor nameplate	-	-
E 7132	0	System error detected: Motor configuration cannot be written	-	-
E 7133	0	Not possible to write motor configuration	-	-
E 7134	4	Incomplete motor configuration Parameter _SigLatched Bit 16	-	-
E 7135	4	Format is not supported Parameter _SigLatched Bit 16	-	-
E 7136	4	Incorrect encoder type selected with parameter MotEnctype Parameter _SigLatched Bit 16	-	-
E 7137	4	Error detected during the internal conversion of the motor configuration Parameter _SigLatched Bit 16	-	-
E 7138	4	Parameter of the motor configuration out of permissible range Parameter _SigLatched Bit 16	-	-
E 7139	0	Encoder offset: Data segment in encoder is incorrect.	-	-
E 713A	3	Adjustment value of the encoder of the third party motor has not yet been determined. Parameter _SigLatched Bit 16	-	-
E 7200	4	System error detected: Calibration analog/digital converter during manufacturing / incorrect BLE file Parameter _SigLatched Bit 30	-	-
E 7320	4	System error detected: Invalid encoder parameter Parameter _SigLatched Bit 16	Communication channel (Hiperface) to encoder is subject to interference, motor encoder has not been factory-parameterized.	Contact your Schneider Electric service representative.
E 7321	3	Timeout reading the absolute position from the encoder Parameter _SigLatched Bit 16	Communication channel (Hiperface) to encoder is subject to interference or motor encoder is inoperative.	Verify EMC measures.
E 7327	0	Error bit set in Hiperface answer Parameter _WarnLatched Bit 16	Insufficient EMI.	Verify wiring (shield).
E 7328	4	Motor encoder: Position evaluation error detected Parameter _SigLatched Bit 16	Encoder has detected incorrect position evaluation.	Contact your Schneider Electric service representative or replace the motor.
E 7329	0	Motor encoder Warn signal Parameter _WarnLatched Bit 16	EMI.	Contact your Schneider Electric service representative or replace the motor.
E 7330	4	System error detected: Motor encoder (Hiperface) Parameter _SigLatched Bit 16	-	Verify EMC measures. Contact your Schneider Electric service representative.

Error code	Error class	Description	Cause	Correctives
E 7331	4	System error detected: Motor encoder initialization Parameter <code>_SigLatched</code> Bit 30	-	Verify EMC measures. Contact your Schneider Electric service representative.
E 7335	0	Communication with motor encoder active Parameter <code>_WarnLatched</code> Bit 16	Command is being processed or communication may be disturbed (EMI).	Verify EMC measures. Contact your Schneider Electric service representative.
E 733F	4	Amplitude of encoder analog signals too low Parameter <code>_SigLatched</code> Bit 16	Incorrect encoder wiring. Encoder not connected. Encoder signals subject to EMI interference (shield connection, cabling, etc.).	Verify EMC measures. Contact your Schneider Electric service representative.
E 7340	3	Reading of absolute position aborted Parameter <code>_SigLatched</code> Bit 16	Communication channel (Hiperface) to encoder is subject to interference. Encoder (in motor) is inoperative.	Verify EMC measures. Contact your Schneider Electric service representative.
E 7341	0	Encoder overtemperature Parameter <code>_WarnLatched</code> Bit 16	The maximum permissible duty cycle is exceeded. The motor was not mounted properly, for example, it is thermally isolated. The motor is blocked so that more current is used than under normal conditions. The ambient temperature is too high.	Reduce the duty cycle, for example, reduce acceleration. Supply additional cooling, for example, use a fan. Mount the motor in such a way as to increase thermal conductivity. Use a differently rated drive or motor. Replace the motor.
E 7342	2	Encoder overtemperature Parameter <code>_SigLatched</code> Bit 16	The maximum permissible duty cycle is exceeded. The motor was not mounted properly, for example, it is thermally isolated. The motor is blocked so that more current is used than under normal conditions. The ambient temperature is too high.	Reduce the duty cycle, for example, reduce acceleration. Supply additional cooling, for example, use a fan. Mount the motor in such a way as to increase thermal conductivity. Use a differently rated drive or motor. Replace the motor.
E 7343	0	Absolute position is different from incremental position Parameter <code>_WarnLatched</code> Bit 16	Encoder is subject to EMI interference. Motor encoder is inoperative.	Verify EMC measures. Contact your Schneider Electric service representative.
E 7344	3	Absolute position is different from incremental position Parameter <code>_SigLatched</code> Bit 16	Encoder is subject to EMI interference. Motor encoder is inoperative.	Verify EMC measures. Contact your Schneider Electric service representative.
E 7345	0	Amplitude of analog signals too high, limit of AD conversion exceeded	Encoder signals subject to EMI interference (shield connection, wiring, etc.). Encoder inoperative.	Verify EMC measures. Contact your Schneider Electric service representative.
E 7346	4	System error detected: Encoder not ready Parameter <code>_SigLatched</code> Bit 16	-	Verify EMC measures. Contact your Schneider Electric service representative.
E 7347	0	System error detected: Position initialization not possible	Analog and digital encoder signals subject to massive interference.	Verify EMC measures. Contact your Schneider Electric service representative.
E 7348	3	Timeout reading encoder temperature Parameter <code>_SigLatched</code> Bit 16	Encoder without temperature sensor, incorrect encoder connection.	Verify EMC measures. Contact your Schneider Electric service representative.
E 7349	0	Discrepancy between absolute and analog encoder phases	Analog encoder signals are subject to interference. Encoder inoperative.	Verify EMC measures. Contact your Schneider Electric service representative.
E 734A	3	Amplitude of analog signals from encoder too high, signals are clipped Parameter <code>_SigLatched</code> Bit 16	Incorrect encoder wiring. Encoder hardware interface inoperative.	-
E 734B	0	Signal position evaluation of analog encoder inoperative Parameter <code>_WarnLatched</code> Bit 16	Incorrect encoder wiring. Encoder hardware interface inoperative.	-

Error code	Error class	Description	Cause	Correctives
E 734C	par.	Error detected with quasi absolute position Parameter _SigLatched Bit 16	The motor shaft may have been moved while the drive was powered down. A quasi absolute position has been detected that is not within the permissible motor shaft deviation range.	If the quasi absolute function is active, only power down the drive if the motor is at a standstill and do not move the motor shaft when the drive is off.
E 734D	0	Index pulse is not available for the encoder Parameter _WarnLatched Bit 16	-	-
E 734E	4	Error in analog signals from encoder detected. Additional information in the error memory indicates Internal_DeltaQuep. Parameter _SigLatched Bit 16	Encoder cable not properly connected. Encoder signals subject to EMI interference (shield connection, wiring, etc.). Mechanical issue.	Verify EMC measures. Contact your Schneider Electric service representative.
E 7500	0	RS485/Modbus: Overrun error detected Parameter _WarnLatched Bit 5	EMI; incorrect cabling.	Verify cables.
E 7501	0	RS485/Modbus: Framing error detected Parameter _WarnLatched Bit 5	EMI; incorrect cabling.	Verify cables.
E 7502	0	RS485/Modbus: Parity error detected Parameter _WarnLatched Bit 5	EMI; incorrect cabling.	Verify cables.
E 7503	0	RS485/Modbus: Receive error detected Parameter _WarnLatched Bit 5	EMI; incorrect cabling.	Verify cables.
E 7601	4	System error detected: Indeterminable type of encoder Parameter _SigLatched Bit 22	-	-
E 7602	4	Configuration error detected: Encoder module and selected machine encoder type do not match Parameter _SigLatched Bit 22	-	-
E 7603	4	Configuration error detected: Encoder module and selected motor encoder type do not match Parameter _SigLatched Bit 22	-	-
E 7604	4	Configuration error detected: Encoder module parameterized, but no module detected Parameter _SigLatched Bit 22	-	-
E 7605	4	Configuration error detected: No motor encoder type selected for encoder module Parameter _SigLatched Bit 22	-	-
E 7606	4	Configuration error detected: No machine encoder type selected for encoder module Parameter _SigLatched Bit 22	-	-
E 7607	4	Encoder module cannot be identified Parameter _SigLatched Bit 22	The encoder module is indeterminable.	Use correct encoder module.
E 7608	4	Encoder module power supply overcurrent Parameter _SigLatched Bit 22	- Short circuit at connector or encoder cable. - Incorrect or inoperative encoder.	-
E 7609	4	Encoder not connected to encoder module Parameter _SigLatched Bit 22	Connector not connected to module or not connected to motor/encoder. Incorrect or inoperative encoder cable.	-
E 760A	3	Encoder module in slot 2 missing. Parameter _SigLatched Bit 22	Module has been removed or module is inoperative.	-

Error code	Error class	Description	Cause	Correctives
E 760C	2	Maximum encoder frequency exceeded Parameter _SigLatched Bit 22	Velocity too high for the encoder.	-
E 760D	4	Configuration error detected: Incorrect use of encoder module Parameter _SigLatched Bit 22	Incorrect value in parameter ENC2_usage.	-
E 760E	2	Position evaluation error detected (signal tracking error detected) Parameter _SigLatched Bit 22	Encoder signals subject to EMI interference	Verify wiring and cable shield.
E 760F	0	Incorrect position evaluation (interference detected) Parameter _WarnLatched Bit 22	Encoder signals subject to EMI interference	Verify wiring, cable shield.
E 7610	0	Resolver: Loss of position tracking, position is inaccurate Parameter _WarnLatched Bit 22	- Motor velocity is too high. - Motor acceleration is too fast.	- Reduce velocity. - Reduce acceleration. - Reduce resolver resolution. - Adapt resolver excitation frequency.
E 7611	2	Resolver: Signal degradation, position is inaccurate Parameter _SigLatched Bit 22	Resolver is inoperative. Resolver signals are subject to interference. Resolver cable is too long.	Replace resolver. Verify resolver cable: wiring and shield connection. Additional info bits: D5: Sine/cosine inputs exceed DOS out of range threshold. D4: Sine/cosine inputs exceed DOS mismatch threshold.
E 7612	3	Resolver: Loss of signal, position unreliable Parameter _SigLatched Bit 22	Resolver is inoperative. Resolver wiring is incorrect. Resolver signals are subject to excessive interference. Resolver is unsuitable for drive. Incorrect parameter transformation ratio.	Verify resolver cable: wiring and shield connection. Replace resolver. Additional info bits: D7: Sine/cosine inputs clipped. D6: Sine/cosine inputs below LOS threshold.
E 7613	3	Resolver: Signal communication subject to interference Parameter _SigLatched Bit 22	Resolver signals are subject to interference.	Verify resolver cable: wiring and shield connection.
E 7614	3	Error detected at resolver power supply. Parameter _SigLatched Bit 22	Resolver is not properly connected.	Verify resolver cable.
E 7615	3	System error detected: Encoder module RES is not ready for position evaluation Parameter _SigLatched Bit 22	EMI.	Verify resolver cable.
E 7616	3	System error detected: Resolver timeout Parameter _SigLatched Bit 22	-	Replace encoder module.
E 7617	1	Resolver velocity is too high Parameter _SigLatched Bit 22	Motor velocity is too high.	Reduce motor velocity.
E 7618	4	Encoder 2 Hall sensor error detected Parameter _SigLatched Bit 22	Incorrect wiring or inoperative cable for Hall signals of encoder 2.	Verify encoder cable.
E 7619	4	Incorrect communication between module and encoder Parameter _SigLatched Bit 22	Incorrect encoder wiring/adjustment or incorrect encoder parameter settings (example: parameter ENCDigSSICoding is set for SSI encoder).	Verify encoder cable: wiring and shield connection.. Verify encoder parameter settings. Verify encoder adjustment.
E 761A	0	Incorrect communication between module and encoder Parameter _WarnLatched Bit 22	Incorrect encoder wiring.	Verify encoder cable: wiring and shield connection.
E 761B	4	Connected type of EnDat encoder is not supported Parameter _SigLatched Bit 22	-	Use a supported EnDat encoder.

Error code	Error class	Description	Cause	Correctives
E 761C	4	Configuration error detected: Invalid SSI encoder parameter setting Parameter <code>_SigLatched</code> Bit 22	Incorrect values in parameter ENCDigSSIResSgl or ENCDigSSIResMult.	-
E 761D	2	Maximum velocity of the encoder is exceeded Parameter <code>_SigLatched</code> Bit 22	Velocity too high for the encoder. In the case of SSI or EnDat2.2, the reason may also be a detected encoder communication error.	-
E 761E	2	Encoder module overtemperature Parameter <code>_SigLatched</code> Bit 22	The ambient temperature is too high.	Improve the heat dissipation in the control cabinet.
E 761F	2	Position evaluation error detected (AB encoder signals) Parameter <code>_SigLatched</code> Bit 22	No sync signal available.	-
E 7620	4	Checksum error detected in EnDat encoder data Parameter <code>_SigLatched</code> Bit 22	-	-
E 7621	1	Runtime compensation was not successful Parameter <code>_SigLatched</code> Bit 22	-	Verify encoder cable: wiring and shield connection.
E 7622	0	Resolver timeout Parameter <code>_WarnLatched</code> Bit 22	System error detected.	Replace encoder module
E 7623	0	Absolute encoder signal is not available Parameter <code>_WarnLatched</code> Bit 22	There is no encoder available at the input specified via the parameter ENC_abs_source.	Verify wiring, verify encoder. Change the value of the parameter ENC_abs_source.
E 7624	0	Absolute position for encoder 2 cannot be set Parameter <code>_WarnLatched</code> Bit 22	No encoder connected or encoder does not support setting of absolute positions.	Use an encoder that supports direct setting of the absolute position via ENC2_setpabs.
E 7625	0	Not possible to set the absolute position for encoder 1. Parameter <code>_WarnLatched</code> Bit 22	There is no encoder connected to the input for encoder 1.	Connect an encoder to the input for encoder 1 before trying to set the absolute position directly via ENC1_abs_pos.
E 7626	4	Overflow error detected during encoder scaling Parameter <code>_SigLatched</code> Bit 22	The multiturn resolution of the machine encoder with reference to the motor shaft exceeds the system limits, for example, due to the mechanical gear ratio between machine encoder and motor encoder.	Reduce the number of bits of the multiturn resolution that are used for position evaluation via the parameter ENCDigResMulUsed.
E 7627	4	Configuration error detected: Invalid BISS encoder parameter setting Parameter <code>_SigLatched</code> Bit 22	Incorrect values in parameters ENCDigBISSResSgl or ENCDigBISSResMult.	-
E 7628	0	BISS encoder bits 'War' or 'Err' are set Parameter <code>_WarnLatched</code> Bit 22	The bits are used for diverse types of monitoring such as: - Encoder temperature is too high. - Service life of LED inside encoder exceeded. - Position is not reliable.	Replace encoder.
E 7629	3	BISS initialization error detected Parameter <code>_SigLatched</code> Bit 22	-	-
E 7701	4	System error detected: Timeout during connection to power stage Parameter <code>_SigLatched</code> Bit 31	-	Contact your Schneider Electric service representative.
E 7702	4	System error detected: Invalid data received from power stage Parameter <code>_SigLatched</code> Bit 31	-	Contact your Schneider Electric service representative.
E 7703	4	System error detected: Data exchange with power stage lost Parameter <code>_SigLatched</code> Bit 31	-	Contact your Schneider Electric service representative.
E 7704	4	System error detected: Exchange of identification data from power stage not successful Parameter <code>_SigLatched</code> Bit 31	-	Contact your Schneider Electric service representative.

Error code	Error class	Description	Cause	Correctives
E 7705	4	System error detected: Checksum identification data from power stage incorrect Parameter _SigLatched Bit 31	-	Contact your Schneider Electric service representative.
E 7706	4	System error detected: No identification frame received from power stage Parameter _SigLatched Bit 31	-	Contact your Schneider Electric service representative.
E 7707	4	System error detected: Type of power stage and manufacture data do not match	-	Contact your Schneider Electric service representative.
E 7708	4	PIC voltage supply too low Parameter _SigLatched Bit 31	-	Contact your Schneider Electric service representative.
E 7709	4	System error detected: Invalid numbers of data received Parameter _SigLatched Bit 31	-	Contact your Schneider Electric service representative.
E 770A	2	PIC received data with incorrect parity Parameter _SigLatched Bit 31	-	Contact your Schneider Electric service representative.
E 7800	1	eSM module: System error detected: Error of class 1 forced Parameter _SigLatched Bit 23	-	-
E 7801	2	eSM module: System error detected: Error of class 2 forced Parameter _SigLatched Bit 23	-	-
E 7802	3	eSM module: System error detected: Error of class 3 forced Parameter _SigLatched Bit 23	-	-
E 7803	4	eSM module: System error detected: Error of class 4 forced Parameter _SigLatched Bit 23	-	-
E 7804	3	eSM module: Insufficient deceleration for Quick Stop Parameter _SigLatched Bit 23	Quick Stop ramp of drive lower than Quick Stop ramp configured for eSM.	Change ramp in eSM or drive.
E 7805	1	eSM module: Error detected during Safe Operating Stop (SOS) Parameter _SigLatched Bit 23	Motor movement during Safe Operating Stop (SOS).	Keep motor from moving while Safe Operating Stop is active (external forces, loads).
E 7806	1	eSM module: Safely Limited Speed (SLS) exceeded in machine operating mode Setup Mode Parameter _SigLatched Bit 23	Delay for reaching Safely Limited Speed (SLS) too low or eSM deceleration ramp too high.	Increase delay for eSM control of Safely Limited Speed (SLS) or decrease eSM deceleration ramp for reaching Safely Limited Speed (SLS).
E 780A	2	eSM module: /ESTOP signal for EMERGENCY STOP triggered Parameter _SigLatched Bit 23	EMERGENCY STOP is active.	Reset EMERGENCY STOP.
E 780B	0	eSM module: Not ready for Fault Reset Parameter _WarnLatched Bit 23	eSM is in state Quick Stop Active or Fault Reaction Active or Fault.	Wait until eSM is no longer in state Quick Stop Active or Fault Reaction Active or Fault or reboot the drive.
E 780C	0	eSM module: Not ready for eSM Disable Parameter _WarnLatched Bit 23	Safety module eSM is not in operating state Operation Enabled.	eSM Disable requires the safety module eSM to be in operating state Operation Enabled.
E 780F	0	eSM module: Parameter cannot be written in this operating state Parameter _WarnLatched Bit 23	Parameter cannot be written in this eSM state.	Change eSM state to write this parameter.
E 7810	0	eSM module: Incorrect password Parameter _WarnLatched Bit 23	The password that was sent by the configuration tool is not identical to the password stored in the device.	Send the stored password.
E 7811	0	eSM module: Timeout during parameter download (default values loaded) Parameter _WarnLatched Bit 23	Incorrect connection or EMI.	Verify wiring (shield).

Error code	Error class	Description	Cause	Correctives
E 7813	0	eSM module: Parameter checksum cannot be written in this operating state Parameter _WarnLatched Bit 23	eSM is not ready to be configured.	Use correct password. Reconfigure safety module eSM. Contact your Schneider Electric service representative.
E 7814	0	eSM module: Parameter checksum incorrect (default values loaded) Parameter _WarnLatched Bit 23	EMI. The commissioning software is outdated and not compatible with the safety module eSM.	Verify wiring (shield). Install latest commissioning software version.
E 7815	0	eSM module: Undertemperature Parameter _WarnLatched Bit 23	Temperature too low.	-
E 7816	0	eSM module: Overtemperature Parameter _WarnLatched Bit 23	Temperature too high.	Verify the ambient conditions. Verify that the flow of air is sufficient (pollution, objects).
E 7818	2	eSM module: System error detected: ESM5VDC undervoltage Parameter _SigLatched Bit 23	Error detected in eSM 5V supply.	-
E 7819	2	eSM module: Overload outputs channel A Parameter _SigLatched Bit 23	Short circuit or overload.	Verify wiring and connected devices.
E 781A	4	eSM module: System error detected: 5V overvoltage Parameter _SigLatched Bit 23	eSM internal power supply error detected	-
E 781B	4	eSM module: System error detected: 5V undervoltage Parameter _SigLatched Bit 23	eSM internal power supply error detected	-
E 781D	2	eSM module: ESMSTART: Maximum permissible pulse duration exceeded Parameter _SigLatched Bit 23	Pulse duration longer than 4 seconds.	Pulse duration must be less than 4 seconds.
E 781E	4	eSM module: System error detected: RAM Parameter _SigLatched Bit 23	eSM RAM error detected	-
E 781F	4	eSM module: System error detected: Stack overflow Parameter _SigLatched Bit 23	-	-
E 7820	4	eSM module: System error detected: Program sequence control (communication) Parameter _SigLatched Bit 23	Software watchdog eSM (CPU_B)	-
E 7821	4	eSM module: System error detected: Program sequence control (Idle task) Parameter _SigLatched Bit 23	-	-
E 7825	4	eSM module: System error detected: Firmware checksum Parameter _SigLatched Bit 23	-	-
E 7826	0	eSM module: Parameter outside of permissible value range Parameter _WarnLatched Bit 23	Parameter outside of permissible value range.	Verify parameter value.
E 7827	2	eSM module: Parameter checksum error detected Parameter _SigLatched Bit 23	Saved parameter values are invalid.	Reconfigure the eSM. Contact your Schneider Electric service representative.
E 7828	2	eSM module: System error detected: SPI framing error detected Parameter _SigLatched Bit 23	-	-
E 7829	4	eSM module: Input states channel A and channel B are not identical Parameter _SigLatched Bit 23	Wire break or connected devices are inoperable.	Verify wiring and connected devices.
E 782A	2	eSM module: Output states channel A and channel B are not identical Parameter _SigLatched Bit 23	Short circuit to 24V DC. System error detected.	Verify wiring and connected devices. Verify connection of STO_A and STO_B. Contact your Schneider Electric service representative.

Error code	Error class	Description	Cause	Correctives
E 782B	3	eSM module: System error detected: Position evaluation error detected (values not identical) Parameter <code>_SigLatched</code> Bit 23	CPU_A and CPU_B have different position values. This condition may have been caused by the encoder.	-
E 782C	3	eSM module: System error detected: Velocity evaluation error detected (values not identical) Parameter <code>_SigLatched</code> Bit 23	CPU_A and CPU_B have different velocity values. This condition may have been caused by the encoder.	-
E 782F	2	eSM module: System error detected: Error detected during dynamization of STO signal Parameter <code>_SigLatched</code> Bit 23	-	-
E 7833	0	eSM module: System error detected: Nonvolatile memory incorrect checksum (default values loaded) Parameter <code>_WarnLatched</code> Bit 23	Nonvolatile memory inoperative.	-
E 7834	0	eSM module: Safety module replaced (default values loaded) Parameter <code>_WarnLatched</code> Bit 23	This safety module has not been configured with this drive. The parameters have been reset to the default values.	Reconfigure the safety module.
E 7835	4	eSM module: Commutation position Parameter <code>_SigLatched</code> Bit 23	Encoder error or error in internal communication with the drive detected (for example, EMI).	Verify EMC. Verify encoder connection. Contact your Schneider Electric service representative.
E 7836	4	eSM module: Parameter checksums not identical Parameter <code>_SigLatched</code> Bit 23	Parameter of CPU_A is not identical to parameter of CPU_B. Not possible to load parameters into safety module eSM.	Retry loading the parameters into the safety module eSM. If the condition persists, contact your Schneider Electric service representative.
E 7837	0	eSM module: System error detected: Boot program: Invalid address Parameter <code>_WarnLatched</code> Bit 23	Invalid write access of bootloader to flash memory range.	-
E 7838	1	eSM module: Safely Limited Speed (SLS) exceeded in machine operating mode Automatic Mode Parameter <code>_SigLatched</code> Bit 23	Drive velocity greater than configured eSM speed limit.	Reduce velocity of the drive or verify eSM speed limit for machine operating mode Automatic Mode.
E 7839	2	eSM module: Input ESMSTART low instead of high (automatic start) Parameter <code>_SigLatched</code> Bit 23	ESMSTART is configured for automatic start and must be high at start.	Verify parameter configuration of ESMSTART. Verify wiring of ESMSTART.
E 783A	2	eSM module: Input ESMSTART high instead of low (manual start) Parameter <code>_SigLatched</code> Bit 23	ESMSTART is configured for manual start and must be low at start.	Verify parameter configuration of ESMSTART. Verify wiring of ESMSTART.
E 783B	2	eSM module: Guard door acknowledgment: The acknowledgement signal is available for too long a time. Parameter <code>_SigLatched</code> Bit 23	The acknowledgement signal is available for more than 6 seconds.	The acknowledgement signal must be available for less than 6 seconds.
E 783C	4	eSM module: System error detected: States of eSM state machines not identical Parameter <code>_SigLatched</code> Bit 23	-	-
E 783F	2	eSM module: Output AUXOUT1 (cross fault to another output detected) Parameter <code>_SigLatched</code> Bit 23	Cross fault detection detected a cross fault to another output.	Verify wiring and connected devices.
E 7840	2	eSM module: Output /INTERLOCK_OUT (cross fault to another output detected) Parameter <code>_SigLatched</code> Bit 23	Cross fault detection detected a cross fault to another output.	Verify wiring and connected devices.
E 7841	2	eSM module: Output RELAY_OUT_A (cross fault to another output detected) Parameter <code>_SigLatched</code> Bit 23	Cross fault detection detected a cross fault to another output.	Verify wiring and connected devices.

Error code	Error class	Description	Cause	Correctives
E 7842	2	eSM module: Output CCM24V_OUT_A (cross fault to another output detected) Parameter_SigLatched Bit 23	Cross fault detection detected a cross fault to another output.	Verify wiring and connected devices.
E 7843	2	eSM module: Output AUXOUT1 (cross fault to 24 V detected) Parameter_SigLatched Bit 23	Cross fault detection detected a cross fault to 24 V.	Verify wiring and connected devices.
E 7844	2	eSM module: Output /INTERLOCK_OUT (cross fault to 24 V detected) Parameter_SigLatched Bit 23	Cross fault detection detected a cross fault to 24 V.	Verify wiring and connected devices.
E 7845	2	eSM module: Output RELAY_OUT_A (cross fault to 24 V detected) Parameter_SigLatched Bit 23	Cross fault detection detected a cross fault to 24 V.	Verify wiring and connected devices.
E 7846	2	eSM module: Output CCM24V_OUT_A (cross fault to 24 V detected) Parameter_SigLatched Bit 23	Cross fault detection detected a cross fault to 24 V.	-
E 7848	2	eSM module: System error detected: Input ESMSTART_A Parameter_SigLatched Bit 23	-	-
E 7849	2	eSM module: System error detected: Input SETUPENABLE_A Parameter_SigLatched Bit 23	-	-
E 784A	2	eSM module: System error detected: Input SETUPMODE_A Parameter_SigLatched Bit 23	-	-
E 784B	2	eSM module: System error detected: Input GUARD_A Parameter_SigLatched Bit 23	-	-
E 784C	2	eSM module: System error detected: Input GUARD_ACK Parameter_SigLatched Bit 23	-	-
E 784D	2	eSM module: System error detected: Input /INTERLOCK_IN_A Parameter_SigLatched Bit 23	-	-
E 784E	2	eSM module: System error detected: Input /ESTOP_A Parameter_SigLatched Bit 23	-	-
E 784F	2	eSM module: System error detected: Input NOTUSED_A Parameter_SigLatched Bit 23	-	-
E 7850	2	eSM module: Overload outputs channel B Parameter_SigLatched Bit 23	Short circuit or overload.	Verify wiring and connected devices.
E 7851	4	eSM module: System error detected: UART overrun/framing error Parameter_SigLatched Bit 23	-	-
E 7852	2	eSM module: System error detected: ResEnc (encoder resolution) is set to 0 Parameter_SigLatched Bit 23	-	-
E 7853	4	eSM module: System error detected: CPU synchronization Parameter_SigLatched Bit 23	-	-
E 7854	2	eSM module: No motor movement for 36 hours Parameter_SigLatched Bit 23	There has not been a minimum motor movement for the last 36 hours.	There must be a minimum motor movement at least once every 36 hours.

Error code	Error class	Description	Cause	Correctives
E 7855	2	eSM module: System error detected: Timeout high-priority tests (5 sec) Parameter <code>_SigLatched</code> Bit 23	-	-
E 7856	2	eSM module: System error detected: Timeout low-priority tests Parameter <code>_SigLatched</code> Bit 23	-	-
E 7857	2	eSM module: Parameter <code>dec_Qstop</code> (minimum deceleration) is set to 0 Parameter <code>_SigLatched</code> Bit 23	Module is not configured.	Download a configuration.
E 7858	2	eSM module: Output AUXOUT2 (cross fault to another output detected) Parameter <code>_SigLatched</code> Bit 23	Cross fault detection detected a cross fault to another output.	Verify wiring and connected devices.
E 7859	2	eSM module: Output /INTERLOCK_OUT (cross fault to another output detected) Parameter <code>_SigLatched</code> Bit 23	Cross fault detection detected a cross fault to another output.	Verify wiring and connected devices.
E 785A	2	eSM module: Output RELAY_OUT_B (cross fault to another output detected) Parameter <code>_SigLatched</code> Bit 23	Cross fault detection detected a cross fault to another output.	Verify wiring and connected devices.
E 785B	2	eSM module: Output CCM24V_OUT_B (cross fault to another output detected) Parameter <code>_SigLatched</code> Bit 23	Cross fault detection detected a cross fault to another output.	Verify wiring and connected devices.
E 785C	2	eSM module: Output AUXOUT2 (cross fault to 24 V detected) Parameter <code>_SigLatched</code> Bit 23	Cross fault detection detected a cross fault to 24 V.	Verify wiring and connected devices.
E 785D	2	eSM module: Output /INTERLOCK_OUT (cross fault to 24 V detected) Parameter <code>_SigLatched</code> Bit 23	Cross fault detection detected a cross fault to 24 V.	Verify wiring and connected devices.
E 785E	2	eSM module: Output RELAY_OUT_B (cross fault to 24 V detected) Parameter <code>_SigLatched</code> Bit 23	Cross fault detection detected a cross fault to 24 V.	Verify wiring and connected devices.
E 785F	2	eSM module: Output CCM24V_OUT_B (cross fault to 24 V detected) Parameter <code>_SigLatched</code> Bit 23	Cross fault detection detected a cross fault to 24 V.	Verify wiring and connected devices.
E 7861	2	eSM module: System error detected: Input ESMSTART_B Parameter <code>_SigLatched</code> Bit 23	-	-
E 7862	2	eSM module: System error detected: Input SETUPENABLE_B Parameter <code>_SigLatched</code> Bit 23	-	-
E 7863	2	eSM module: System error detected: Input SETUPMODE_B Parameter <code>_SigLatched</code> Bit 23	-	-
E 7864	2	eSM module: System error detected: Input GUARD_B Parameter <code>_SigLatched</code> Bit 23	-	-
E 7865	2	eSM module: System error detected: Input GUARD_ACK Parameter <code>_SigLatched</code> Bit 23	-	-
E 7866	2	eSM module: System error detected: Input /INTERLOCK_IN_B Parameter <code>_SigLatched</code> Bit 23	-	-
E 7867	2	eSM module: System error detected: Input /ESTOP_B Parameter <code>_SigLatched</code> Bit 23	-	-

Error code	Error class	Description	Cause	Correctives
E 786A	4	eSM module: Undertemperature Parameter_SigLatched Bit 23	Temperature of the eSM too low.	Verify ambient conditions.
E 786C	2	eSM module: Overvoltage ESM24VDC Parameter_SigLatched Bit 23	Voltage too high at the ESM24VDC.	Verify power supply.
E 786D	4	eSM module: Overtemperature Parameter_SigLatched Bit 23	Temperature too high.	Verify the ambient conditions. Verify that the flow of air is sufficient (pollution, objects).
E 786E	4	eSM module: System error detected: Operating states not identical Parameter_SigLatched Bit 23	-	-
E 7870	4	eSM module: System error detected: Software versions not identical Parameter_SigLatched Bit 23	-	-
E 7871	3	eSM module: Error detected during Safe Operating Stop (SOS) after detected error Parameter_SigLatched Bit 23	Motor movement during Safe Operating Stop (SOS).	-
E 7872	4	eSM module: System error detected: Software incompatible with hardware Parameter_SigLatched Bit 23	-	-
E 7873	1	eSM module: Error detected during deceleration to Safely Limited Speed (SLS) Parameter_SigLatched Bit 23	Velocity of drive greater than speed limit configured for eSM Safely Limited Speed (SLS).	Verify speed limit and delay time for eSM Safely Limited Speed (SLS). Adapt the drive values for ramp and velocity, if necessary.
E 7874	2	eSM module: Repeated error detected during Safe Operating Stop (SOS) Parameter_SigLatched Bit 23	-	-
E 7875	4	eSM module: Repeated error detected during deceleration for Quick Stop Parameter_SigLatched Bit 23	-	-
E 7876	3	eSM module: /INTERLOCK_IN not high (timeout if t_Relay = 2) Parameter_SigLatched Bit 23	-	-
E 7877	2	eSM module: Input /INTERLOCK_IN is high even though Ignore has been configured Parameter_SigLatched Bit 23	-	-
E 7878	2	eSM module: Speed limit for machine operating mode Setup Mode (eSM_v_maxSetup) higher than speed limit for machine operating mode Automatic Mode (eSM_v_maxAuto) Parameter_SigLatched Bit 23	Speed limit for machine operating mode Setup Mode must not be greater than speed limit for machine operating mode Automatic Mode.	Verify the speed limits for machine operating modes Automatic Mode and Setup Mode and change them as required.
E 7879	4	eSM module: System error detected: Indeterminable state of eSM state machine Parameter_SigLatched Bit 23	-	-
E 787A	2	eSM module: ESM24VDC undervoltage Parameter_SigLatched Bit 23	Voltage at the ESM24VDC connector to low.	Verify power supply.
E 787D	4	eSM module: System error detected: Asynchronous communication (UART/SPI) Parameter_SigLatched Bit 23	-	-
E 787E	4	eSM module: System error detected: RAM (bit) Parameter_SigLatched Bit 23	-	-
E 787F	4	eSM module: Encoder signal error detected Parameter_SigLatched Bit 23	Encoder or encoder cable inoperative. Incorrect signal evaluation in drive.	-

Error code	Error class	Description	Cause	Correctives
E 7880	2	eSM module: Indeterminable service Parameter_SigLatched Bit 23	-	-
E 7881	2	eSM module: Parameter does not exist Parameter_SigLatched Bit 23	Parameter does not exist.	Verify the parameter number.
E 7882	4	eSM module: System error detected: 3_3V overvoltage Parameter_SigLatched Bit 23	Overvoltage in internal eSM power supply.	-
E 7883	4	eSM module: System error detected: 3_3V undervoltage Parameter_SigLatched Bit 23	Undervoltage in internal eSM power supply.	-
E 7884	4	eSM module: System error detected: Temperature sensor Parameter_SigLatched Bit 23	Temperature sensor for CPU_A or CPU_B does not work properly.	-
E 7886	2	eSM module: No speed limit for negative direction set for direction-dependent SLS Parameter_SigLatched Bit 23	Direction-dependent SLS is active, but no speed limit greater than 0 RPM has been specified in the parameter eSM_v_maxSetup or in parameter eSM_SLSnegDirS.	Set a speed limit for direction-dependent SLS greater than 0 RPM in the parameter eSM_v_maxSetup or in the parameter eSM_SLSnegDirS or deactivate direction-dependent SLS via the parameter eSM_FuncSwitches.
E 7887	2	eSM module: Speed limit for SLS in negative direction has been specified, but direction-dependant SLS has not been activated Parameter_SigLatched Bit 23	Direction-dependent SLS is not active, but a speed limit for direction-dependent SLS in negative direction has been specified.	Set the speed limit for direction-dependent SLS in negative direction in parameter eSM_SLSnegDirS to 0 RPM or activate direction-dependent SLS via the parameter eSM_FuncSwitches.
E 7889	2	eSM module: Order of speed limits for multiple SLS in positive direction is incorrect Parameter_SigLatched Bit 23	The values for the speed limits for multiple SLS are not in ascending order.	Set correct speed limits for multiple SLS.
E 788A	2	eSM module: Order of speed limits for multiple SLS in negative direction is incorrect Parameter_SigLatched Bit 23	The values for the speed limits for multiple SLS are not in ascending order.	Set correct speed limits for multiple SLS.
E 788B	2	eSM module: Invalid speed limit for multiple SLS in positive direction Parameter_SigLatched Bit 23	Speed limit for multiple SLS in positive direction has a value of zero.	Set a speed limit not equal to zero for multiple SLS.
E 788C	2	eSM module: Invalid speed limit for multiple SLS in negative direction has a value of zero Parameter_SigLatched Bit 23	Speed limit for multiple SLS in negative direction has a value of zero.	Set a speed limit not equal to zero for multiple SLS.
E 788D	2	eSM module: Two types of multiple SLS selected at the same time Parameter_SigLatched Bit 23	eSM module: Two types of multiple SLS selected at the same time.	Select a single type of multiple SLS.
E 7900	4	Module in fieldbus slot not correctly detected Parameter_SigLatched Bit 21	Fieldbus module not correctly mounted in the slot. Unsupported fieldbus module inserted. Fieldbus module inoperative. EMI.	Replace fieldbus module. Improve EMC.
E 7901	4	Indeterminable type of fieldbus module detected in fieldbus slot Parameter_SigLatched Bit 21	The type of module detected in fieldbus slot is not supported by the drive.	Use supported type of fieldbus module. Refer to manual or catalog.
E 7903	3	Fieldbus module in slot 3 missing Parameter_SigLatched Bit 21	Fieldbus module has been removed or fieldbus module is inoperative.	Confirm or cancel HMI dialog box for fieldbus module replacement. Install a new fieldbus module.
E 7904	0	Parameter access error detected in fieldbus module	Fieldbus module parameter does not exist or cannot be written.	-
E 7905	3	Fieldbus module in slot 3 has been changed Parameter_SigLatched Bit 21	The fieldbus module has been replaced by another type of fieldbus module.	Confirm the new fieldbus module via the HMI dialog.

Error code	Error class	Description	Cause	Correctives
E 7906	0	Internal timeout in communication with fieldbus module	Internal communication with fieldbus module not correct. Fieldbus module inoperative. EMI.	Replace fieldbus module. Improve EMC.
E 7907	4	The module detected in the slot for fieldbus modules slot is not supported. Parameter <code>_SigLatched</code> Bit 21	The module detected in the slot for fieldbus modules is not supported by older drive hardware revisions.	-
E 7A05	3	Module IOM1: System error detected: Calibration analog/digital converter during manufacturing Parameter <code>_SigLatched</code> Bit 23	-	-
E 7A06	3	Module IOM1: System error detected: Initialization Parameter <code>_SigLatched</code> Bit 23	-	-
E 7A07	3	Module IOM1: System error detected: Nonvolatile memory read error detected, CRC does not match Parameter <code>_SigLatched</code> Bit 23	-	-
E 7A08	3	Module IOM1: System error detected: Nonvolatile memory write error detected Parameter <code>_SigLatched</code> Bit 23	-	-
E 7A09	3	Module IOM1: System error detected: Nonvolatile memory erase error detected Parameter <code>_SigLatched</code> Bit 23	-	-
E 7A0A	3	Module IOM1: System error detected: Incorrect flash API implemented Parameter <code>_SigLatched</code> Bit 23	-	-
E 7A0B	0	Module IOM1: Overtemperature Parameter <code>_WarnLatched</code> Bit 23	Device cooling not sufficient. Cooling fan inoperative. Ambient temperature too high.	Verify fan and ambient temperature.
E 7A0C	2	Module IOM1: Overtemperature Parameter <code>_SigLatched</code> Bit 23	Device cooling not sufficient. Cooling fan inoperative. Ambient temperature too high.	Verify fan and ambient temperature.
E 7A0D	2	Module IOM1: Module not available Parameter <code>_SigLatched</code> Bit 23	The module IOM1 was not detected when the operating mode Profile Velocity or Profile Torque with reference value via analog input was activated. The module IOM1 has been removed when the de device was off.	Plug in the module IOM1.
E 7A0E	4	Module IOM1: Inoperative Parameter <code>_SigLatched</code> Bit 23	Module IOM1 inoperative. Hardware interface to the module IOM1 inoperative.	-
E 7A0F	2	Module IOM1: Inoperative Parameter <code>_SigLatched</code> Bit 23	Module IOM1 inoperative. Hardware interface to the module IOM1 inoperative.	-
E 7A10	4	Module IOM1: Inoperative Parameter <code>_SigLatched</code> Bit 23	Module IOM1 inoperative. Hardware interface to the module IOM1 inoperative.	-
E 7A11	4	Module IOM1: Inoperative Parameter <code>_SigLatched</code> Bit 23	Module IOM1 inoperative. Hardware interface to the module IOM1 inoperative.	-
E 7A12	2	Module IOM1: Module IOM1 required for velocity or torque limitation via analog input Parameter <code>_SigLatched</code> Bit 23	Velocity or torque limitation via analog input has been activated, but the module IOM1 has not been plugged in.	Plug in the module IOM1 or deactivate the velocity or torque limitation setting via the analog input.
E 7A13	par.	Module IOM1: Overload or short circuit at analog output Parameter <code>_SigLatched</code> Bit 23	Overload or short circuit at one of the analog outputs.	Verify wiring and connected load.

Error code	Error class	Description	Cause	Correctives
E 7A14	4	Module IOM1: Module IOM1 not supported in combination with PROFINET fieldbus module Parameter <code>_SigLatched</code> Bit 23	The module IOM1 is not supported if the PROFINET fieldbus module is used.	-
E 8110	0	CANopen: Overflow internal receive queue (message lost) Parameter <code>_WarnLatched</code> Bit 21	Two short CAN messages have been sent too fast (at 1 Mbits only).	-
E 8120	0	CANopen: CAN Controller in state Error Passive Parameter <code>_WarnLatched</code> Bit 21	Too many error frames have been detected.	Verify CAN bus installation.
E 8130	par.	CANopen: Detected Heartbeat or Life Guard error Parameter <code>_SigLatched</code> Bit 21	The bus cycle time of the CANopen master is longer than the programmed heartbeat or node guarding time.	Verify the CANopen configuration, increase the heartbeat or node guarding time.
E 8131	0	CANopen: Detected Heartbeat or Life Guard error Parameter <code>_WarnLatched</code> Bit 21	-	-
E 8140	0	CANopen: CAN controller was in state 'bus-off', communication is possible again Parameter <code>_WarnLatched</code> Bit 21	-	-
E 8141	2	CANopen: CAN controller is in state 'bus-off' Parameter <code>_SigLatched</code> Bit 21	Too many error frames have been detected, CAN devices with different baud rates.	Verify CAN bus installation.
E 8142	0	CANopen: CAN controller is in state 'bus-off' Parameter <code>_WarnLatched</code> Bit 21	Too many error frames have been detected, CAN devices with different baud rates.	Verify CAN bus installation.
E 8281	0	CANopen: RxPDO1 could not be processed Parameter <code>_WarnLatched</code> Bit 21	Error detected while processing Receive PDO1: PDO1 contains invalid value.	Verify RxPDO1 content (application).
E 8282	0	CANopen: RxPDO2 could not be processed Parameter <code>_WarnLatched</code> Bit 21	Error detected while processing Receive PDO2: PDO2 contains invalid value.	Verify RxPDO2 content (application).
E 8283	0	CANopen: RxPDO3 could not be processed Parameter <code>_WarnLatched</code> Bit 21	Error detected while processing Receive PDO3: PDO3 contains invalid value.	Verify RxPDO3 content (application).
E 8284	0	CANopen: RxPDO4 could not be processed Parameter <code>_WarnLatched</code> Bit 21	Error detected while processing Receive PDO4: PDO4 contains invalid value.	Verify RxPDO4 content (application)
E 8291	0	CANopen: TxPdo could not be processed Parameter <code>_WarnLatched</code> Bit 21	-	-
E 8292	0	CANopen: TxPdo could not be processed Parameter <code>_WarnLatched</code> Bit 21	-	-
E 8293	0	CANopen: TxPdo could not be processed Parameter <code>_WarnLatched</code> Bit 21	-	-
E 8294	0	CANopen: TxPdo could not be processed Parameter <code>_WarnLatched</code> Bit 21	-	-
E 82A0	0	CANopen: Initialization CANopen stack Parameter <code>_WarnLatched</code> Bit 21	-	-
E 82A1	0	CANopen: Overflow internal transmit queue (message lost) Parameter <code>_WarnLatched</code> Bit 21	-	-
E 82B1	0	CANopen: The data tunneling protocol is not Modbus RTU Parameter <code>_WarnLatched</code> Bit 21	-	-

Error code	Error class	Description	Cause	Correctives
E 82B2	0	CANopen: Data frame is still being processed Parameter _WarnLatched Bit 21	A new data frame was written but the previous data frame is still being processed.	Write the data frame again later on.
E A060	2	Calculated velocity too high for operating mode Electronic Gear Parameter _SigLatched Bit 4	Gear ratio or reference velocity value too high	Reduce the gear ratio or reference velocity.
E A061	2	Position change in reference value for operating mode Electronic Gear too high Parameter _SigLatched Bit 4	Position reference change is too high. Error detected at signal input for reference value.	Reduce the resolution of the master. Verify signal input for reference value signal.
E A065	0	Parameters cannot be written Parameter _WarnLatched Bit 4	A data set is still active.	Wait until the currently active data set has been terminated.
E A066	0	Teach-in position cannot be accepted Parameter _WarnLatched Bit 4	Data set type is not 'MoveAbsolute'	Set the data set type to 'MoveAbsolute'
E A067	1	Invalid value in data set. Additional information in the error memory indicates the data set number (low byte) and entry (high byte). Parameter _SigLatched Bit 4	Value not possible in data set.	See also parameters _MSM_error_num and _MSM_error_entry for additional information.
E A068	0	Offset positioning not possible Parameter _WarnLatched Bit 4	Operating mode Electronic Gear inactive or no gear method selected.	Start operating mode Electronic Gear and/or select a gear method.
E A069	0	Setting the offset position is not possible Parameter _WarnLatched Bit 4	If offset positioning is active, it is not possible to set the position offset.	Wait until ongoing offset positioning has finished.
E A06B	2	Position deviation in operating mode Electronic Gear too high Parameter _SigLatched Bit 4	The position deviation has become excessively high due to a velocity limitation or the release of direction.	Verify the velocity of the external reference values and the velocity limitation. Verify release of direction.
E A300	0	Deceleration after HALT request still running	HALT was removed too soon. New command was sent before motor standstill was reached after a HALT request.	Wait for complete stop before removing HALT signal. Wait until motor has come to a complete standstill.
E A301	0	Drive in operating state Quick Stop Active	Error with error class 1 detected. Drive stopped with Quick Stop.	-
E A302	1	Stop by positive limit switch Parameter _SigLatched Bit 1	The positive limit switch was activated because movement range was exceeded, incorrect operation of limit switch or signal disturbance.	Verify application. Verify limit switch function and connection.
E A303	1	Stop by negative limit switch Parameter _SigLatched Bit 1	The negative limit switch was activated because movement range was exceeded, incorrect operation of limit switch or signal disturbance.	Verify application. Verify limit switch function and connection.
E A304	1	Stop by reference switch Parameter _SigLatched Bit 1	-	-
E A305	0	Power stage cannot be enabled in the operating state Not Ready To Switch On	Fieldbus: An attempt was made to enable the power stage in the operating state Not Ready To Switch On.	Refer to the state diagram.
E A306	1	Stop by user-initiated software stop Parameter _SigLatched Bit 3	Drive is in operating state Quick Stop Active due to a software stop request. The activation of a new operating mode is not possible, the error code is sent as the response to the activation command.	Clear break condition with command Fault Reset.
E A307	0	Interruption by internal software stop	In the operating modes Homing and Jog, the movement is internally interrupted by an internal software stop. The activation of a new operating mode is not possible, the error code is sent as the response to the activation command.	Perform a Fault Reset.

Error code	Error class	Description	Cause	Correctives
E A308	0	Drive is in operating state Fault or Fault Reaction Active	Error with error class 2 or higher detected.	Verify the error code, remove the cause and perform a Fault Reset.
E A309	0	Drive not in operating state Operation Enabled	A command was sent that requires the drive to be in the operating state Operation Enabled (for example, a command to change the operating mode).	Set drive to operating state Operation Enabled and repeat the command.
E A310	0	Power stage not enabled	Command cannot be used because the power stage is not enabled (operating state Operation Enabled or Quick Stop Active).	Set drive to an operating state in which the power stage is enabled, see state diagram.
E A311	0	Operating mode change active	A start request for an operating mode has been received while a change of the operating mode was active.	Wait until the operating mode change has terminated before triggering a start request for another operating mode.
E A312	0	Profile generation interrupted	-	-
E A313	0	Position overflow, zero point is therefore no longer valid (ref_ok=0)	The movement range limits were exceeded and the zero point is no longer valid. An absolute movement requires a valid zero point.	Define a valid zero point by means of the operating mode Homing.
E A314	0	No valid zero point	Command needs a valid zero point (ref_ok=1).	Define a valid zero point by means of the operating mode Homing.
E A315	0	Homing active	Command cannot be used while the operating mode Homing is active.	Wait until reference movement is finished.
E A316	0	Overflow during calculation of acceleration	-	-
E A317	0	Motor is not at a standstill	Command sent which is not permissible when the motor is not at a standstill. For example: - Change of software limit switches - Change of handling of monitoring signals - Setting of reference point - Teach in of data set	Wait until the motor has come to a standstill (x_end = 1).
E A318	0	Operating mode active (x_end=0)	Activation of a new operating mode is not possible while another operating mode is still active.	Wait until the command in the operating mode has finished (x_end=1) or terminate active operating mode with HALT command.
E A319	1	Manual tuning/Autotuning: Movement out of range Parameter_SigLatched Bit 2	The movement exceeds the parameterized maximum movement range.	Verify permissible movement range value and time interval.
E A31A	0	Manual tuning/Autotuning: Amplitude/offset too high	Amplitude plus offset for tuning exceed internal velocity or current limitation.	Choose lower amplitude and offset values.
E A31B	0	Halt requested	Command not permissible while Halt is requested.	Clear Halt request and repeat command.
E A31C	0	Invalid position setting with software limit switch	Value for negative (positive) software limit switch is greater (less) than value for positive (negative) software limit switch.	Set correct position values.
E A31D	0	Velocity range exceeded (parameter CTRL_v_max, M_n_max)	The velocity was set to a value greater than the maximum permissible velocity in parameter CTRL_v_max or M_n_max, whichever is lower.	If the value of parameter M_n_max is greater than the value of parameter CTRL_v_max, increase the value of parameter CTRL_v_max or reduce the velocity value.
E A31E	1	Stop by positive software limit switch Parameter_SigLatched Bit 2	Not possible to execute command because positive software limit switch was triggered.	Return to the permissible movement range.
E A31F	1	Stop by negative software limit switch Parameter_SigLatched Bit 2	Not possible to execute command because negative software limit switch was triggered.	Return to the permissible movement range.

Error code	Error class	Description	Cause	Correctives
E A320	par.	Permissible position deviation exceeded Parameter <code>_SigLatched</code> Bit 8	External load or acceleration are too high.	Reduce external load or acceleration. Use a differently rated drive, if necessary. Error response can be adjusted via parameter <code>ErrorResp_p_dif</code> .
E A321	0	Invalid setting for RS422 position interface	-	-
E A322	0	Error detected in ramp calculation	-	-
E A323	3	System error detected: Processing error detected during generation of profile	-	-
E A324	1	Error detected during homing. Additional information in the error memory indicates the detailed error code. Parameter <code>_SigLatched</code> Bit 4	Homing movement was stopped in response to a detected error, the detailed reason is indicated by the additional info in the error memory.	Possible sub-error codes: E A325, E A326, E A327, E A328 or E A329.
E A325	1	Limit switch to be approached not enabled Parameter <code>_SigLatched</code> Bit 4	Homing to positive limit switch or negative limit switch is disabled.	Enable limit switch via 'IOsigLimP' or 'IOsigLimN'.
E A326	1	Reference switch not found between positive limit switch and negative limit switch Parameter <code>_SigLatched</code> Bit 4	Reference switch inoperative or not correctly connected.	Verify the function and wiring of the reference switch.
E A329	1	More than one signal positive limit switch/negative limit switch/reference switch active Parameter <code>_SigLatched</code> Bit 4	Reference switch or limit switch not connected correctly or supply voltage for switches too low.	Verify the wiring and 24 VDC supply voltage.
E A32A	1	Positive limit switch triggered with negative direction of movement Parameter <code>_SigLatched</code> Bit 4	Start reference movement with negative direction (for example, reference movement to negative limit switch) and activate the positive limit switch (switch in opposite direction of movement).	Verify correct connection and function of limit switch. Activate a jog movement with negative direction of movement (target limit switch must be connected to the negative limit switch).
E A32B	1	Negative limit switch triggered with positive direction of movement Parameter <code>_SigLatched</code> Bit 4	Start reference movement with positive direction (for example, reference movement to positive limit switch) and activate the negative limit switch (switch in opposite direction of movement).	Verify correct connection and function of limit switch. Activate a jog movement with positive direction of movement (target limit switch must be connected to the positive limit switch).
E A32C	1	Reference switch error detected (switch signal briefly enabled or switch overtraveled) Parameter <code>_SigLatched</code> Bit 4	Switch signal disturbance. Motor subjected to vibration or shock when stopped after activation of the switch signal.	Verify supply voltage, cabling and function of switch. Verify motor response after stopping and optimize control loop settings.
E A32D	1	Positive limit switch error detected (switch signal briefly enabled or switch overtraveled) Parameter <code>_SigLatched</code> Bit 4	Switch signal disturbance. Motor subjected to vibration or shock when stopped after activation of the switch signal.	Verify supply voltage, cabling and function of switch. Verify motor response after stopping and optimize control loop settings.
E A32E	1	Negative limit switch error detected (switch signal briefly enabled or switch overtraveled) Parameter <code>_SigLatched</code> Bit 4	Switch signal disturbance. Motor subjected to vibration or shock when stopped after activation of the switch signal.	Verify supply voltage, cabling and function of switch. Verify motor response after stopping and optimize control loop settings.
E A32F	1	Index pulse not found Parameter <code>_SigLatched</code> Bit 4	Index pulse signal not connected or not working properly.	Verify index pulse signal and connection.
E A330	0	Reference movement to index pulse cannot be reproduced. Index pulse is too close to the switch Parameter <code>_WarnLatched</code> Bit 4	The position difference between the index pulse and the switching point is insufficient.	Increase the distance between the index pulse and the switching point. If possible, the distance between the index pulse and the switching point should be a half motor revolution.
E A332	1	Jog error detected. Additional information in the error memory indicates the detailed error code. Parameter <code>_SigLatched</code> Bit 4	Jog movement was stopped in response to a detected error.	For additional info, verify the detailed error code in the error memory.

Error code	Error class	Description	Cause	Correctives
E A333	3	System error detected: Invalid internal selection	-	-
E A334	2	Timeout Standstill Window monitoring	Position deviation after movement greater than standstill window. This may have been caused by an external load.	Verify load. Verify settings for standstill window (parameter MON_p_win, MON_p_winTime and MON_p_winTout). Optimize control loop settings.
E A336	1	System error detected: Jerk limitation with position offset after end of movement. Additional information in the error memory indicates the offset in Increments.	-	-
E A337	0	Operating mode cannot be continued Parameter _WarnLatched Bit 4	Continuation of interrupted movement in operating mode Profile Position is not possible because another operating mode had been active in the meantime. In the operating mode Motion Sequence, continuation is not possible if a motion blend was interrupted.	Restart the operating mode.
E A338	0	Operating mode unavailable Parameter _WarnLatched Bit 4	The selected operating mode is not available.	-
E A339	0	No processing of motor encoder selected or position capture of motor index pulse active Parameter _WarnLatched Bit 4	-	-
E A33A	0	No valid zero point (ref_ok=0) Parameter _WarnLatched Bit 4	No zero point defined by means of operating mode Homing. Zero point no longer valid due to movement beyond permissible movement range. Motor does not have an absolute encoder.	Use operating mode Homing to define a valid zero point. Use a motor with an absolute encoder.
E A33C	0	Function not available in this operating mode Parameter _WarnLatched Bit 4	Activation of a function which is not available in the active operating mode. Example: Start of backlash compensation while autotuning/manual tuning is active.	-
E A33D	0	Motion blend is already active Parameter _WarnLatched Bit 4	Change of motion blend during the ongoing motion blend (end position of motion blend not yet reached)	Wait for the motion blend to complete before setting the next position.
E A33E	0	No movement activated Parameter _WarnLatched Bit 4	Activation of a motion blend without movement.	Start a movement before the motion blend is activated.
E A33F	0	Position of motion blend movement not in the range of the ongoing movement Parameter _WarnLatched Bit 4	The position of the motion blend is outside of the movement range.	Verify the position of the motion blend and the movement range.
E A340	1	Error detected in operating mode Motion Sequence. Additional information in the error memory indicates the detailed error code. Parameter _SigLatched Bit 4	The operating mode Motion Sequence was stopped in response to a detected error. Verify the error memory for details on the detected error.	See the additional error information.
E A341	0	Position of motion blend has already been passed Parameter _WarnLatched Bit 4	The movement has passed beyond the position of the motion blend.	-
E A342	1	Target velocity was not reached at motion blend position. Parameter _SigLatched Bit 4	The position of the motion blend was overtraveled, the target velocity was not reached.	Reduce the ramp velocity so that the target velocity is reached at the position of the motion blend.
E A343	0	Processing only possible with linear ramp Parameter _WarnLatched Bit 4	Motion blend position was set with a non-linear ramp.	Set a linear ramp.

Error code	Error class	Description	Cause	Correctives
E A344	par.	Maximum position deviation between motor encoder and machine encoder exceeded Parameter <code>_SigLatched</code> Bit 8	Incorrect or inoperative encoder cable. Machine encoder not connected or not supplied correctly. Different counting directions of motor encoder and machine encoder. Incorrect setting of resolution factors (numerator or denominator) of machine encoder.	Verify encoder connection. Verify parameterization of machine encoder.
E A347	0	Permissible position deviation exceeded Parameter <code>_WarnLatched</code> Bit 8	External load or acceleration are too high.	Reduce external load or acceleration. Threshold value can be adjusted via the parameter <code>MON_p_dif_warn</code> .
E A348	1	No analog reference value source selected Parameter <code>_SigLatched</code> Bit 4	No analog reference value selected	Select an analog reference value source.
E A349	0	Position setting exceeds system limits	Position scaling of <code>POSscaleDenom</code> and <code>POSscaleNum</code> results in a scaling factor that is too small.	Change <code>POSscaleDenom</code> and <code>POSscaleNum</code> in such a way as to increase the resulting scaling factor.
E A34A	0	Velocity setting exceeds system limits	The velocity scaling of ' <code>VELscaleDenom</code> ' and ' <code>VELscaleNum</code> ' results in a scaling factor that is too small. The velocity has been set to a value greater than the maximum possible velocity (the maximum velocity is 13200 RPM).	Change ' <code>VELscaleDenom</code> ' and ' <code>VELscaleNum</code> ' in such a way as to increase the resulting scaling factor.
E A34B	0	Ramp setting exceeds system limits	The ramp scaling of ' <code>RAMPscaleDenom</code> ' and ' <code>RAMPscaleNum</code> ' results in a scaling factor that is too small.	Change of ' <code>RAMPscaleDenom</code> ' and ' <code>RAMPscaleNum</code> ' in such a way as to increase the resulting scaling factor.
E A34C	0	Resolution of scaling too high (range exceeded)	-	-
E A34D	0	Function not available when Modulo is active	The function cannot be executed when Modulo is active.	Deactivate Modulo to use the function.
E A34E	0	Target value for absolute movement not possible with defined modulo range and modulo handling.	If parameter ' <code>MOD_Absolute</code> ' is set to: Shortest Distance: Target value is not in defined modulo range. Positive Direction: Target value is less than parameter ' <code>MOD_Min</code> '. Negative Direction: Target value is greater than parameter ' <code>MOD_Max</code> '.	Set a correct target value for absolute movement.
E A34F	0	Target position outside of modulo range. Corresponding movement within range performed instead.	The setting of parameter ' <code>MOD_AbsMultiRng</code> ' only allows for a movement within the modulo range.	Change the parameter ' <code>MOD_AbsMultiRng</code> ' to allow for movements beyond the modulo range.
E A350	1	Change for jerk filter input position too great Parameter <code>_SigLatched</code> Bit 4	Operating mode Electronic Gear with processing method 'Position synchronization with compensation movement' has been activated which resulted in a position change greater than 0.25 revolutions.	Deactivate jerk filter processing for Electronic Gear or use processing method 'Position synchronization without compensation movement'.
E A351	1	Function cannot be executed with this position scaling factor Parameter <code>_SigLatched</code> Bit 4	The positions scaling factor is set to a value less than $1\text{rev}/131072\text{usr}_p$, which is less than the internal resolution. In the operating mode Cyclic Synchronous Position, the resolution is not set to $1\text{rev}/131072\text{usr}_p$.	Use a different position scaling factor or deactivate the selected function.
E A352	0	Position list active	-	-
E A353	0	Position list not sorted	-	-
E A354	0	Position list does not match the configuration of the Modulo range	-	-

Error code	Error class	Description	Cause	Correctives
E A355	1	Error detected during relative movement after capture. Additional information in the error memory indicates the detailed error code. Parameter <code>_SigLatched</code> Bit 4	Movement was stopped by error.	Verify the error memory.
E A356	0	Function Relative Movement After Capture not assigned to a digital input	-	Assign the function Relative Movement After Capture to a digital input.
E A357	0	Deceleration still running	Command is not permissible during deceleration.	Wait until motor has come to a complete standstill.
E A358	1	Target position overtraveled with function Relative Movement After Capture Parameter <code>_SigLatched</code> Bit 4	Stopping distance too small or velocity too high at the point in time of the capture event.	Reduce the velocity.
E A359	0	Request cannot be processed since the relative movement after capture is still active	-	-
E A35A	1	Selected data set cannot be started Parameter <code>_SigLatched</code> Bit 4	The data set with the selected number is not available.	Verify the number of the data set.
E A35B	0	Modulo cannot be activated Parameter <code>_WarnLatched</code> Bit 4	The set operating mode does not support Modulo.	-
E A35D	par.	Permissible velocity deviation exceeded Parameter <code>_SigLatched</code> Bit 8	Load or acceleration too high.	Reduce load or acceleration.
E A35E	0	The selected velocity scaling factor reduces the accuracy of the velocity scaling.	-	Increase or decrease the value of the numerator and/or denominator of the scaling factor. If the condition persists, contact your Schneider Electric service representative.
E A35F	0	The selected ramp scaling factor reduces the accuracy of the ramp scaling.	-	Increase or decrease the value of the numerator and/or denominator of the scaling factor. If the condition persists, contact your Schneider Electric service representative.
E B100	0	RS485/Modbus: Indeterminable service Parameter <code>_WarnLatched</code> Bit 5	Unsupported Modbus service was received.	Verify application on the Modbus master.
E B101	1	Incorrect I/O data configuration. Additional information in the error memory indicates the Modbus register address. Parameter <code>_SigLatched</code> Bit 21	The I/O data configuration or the Modbus I/O scanning configuration contains an invalid parameter.	Verify the configuration of the I/O data.
E B102	1	Fieldbus module: General error detected Parameter <code>_SigLatched</code> Bit 21	-	-
E B103	2	Fieldbus module: Controlling communication channel has been closed Parameter <code>_SigLatched</code> Bit 21	-	-
E B104	2	Fieldbus module: Internal communication error detected Parameter <code>_SigLatched</code> Bit 21	-	-
E B105	2	Fieldbus module: I/O data timeout Parameter <code>_SigLatched</code> Bit 21	-	-
E B106	2	Fieldbus module: I/O data mapping error detected Parameter <code>_SigLatched</code> Bit 21	-	-
E B107	4	Fieldbus module: Nonvolatile memory error detected in module Parameter <code>_SigLatched</code> Bit 21	-	-

Error code	Error class	Description	Cause	Correctives
E B108	1	Fieldbus module: Active IOC physical layer does not match the IOC physical layer of the detected fieldbus module. Parameter _SigLatched Bit 21	The manufacturer data has been stored with a physical layer different from the physical layer normally used by the module.	Contact your Schneider Electric service representative.
E B120	2	Cyclic communication: Incorrect cycle time Parameter _SigLatched Bit 21	The drive does not support the configured cycle time or the difference between the measured cycle time and the configured cycle time is too great.	Change the cycle time in the master controller to a cycle time supported by the drive or verify synchronization requirements.
E B121	2	Cyclic communication: Synchronization signal missing Parameter _SigLatched Bit 21	Two cycles have passed without a synchronization signal having been received.	Analyze the communication.
E B122	2	Cyclic communication: Incorrect synchronization Parameter _SigLatched Bit 21	One signal was missing and the expected second signal was received at an incorrect point in time. The master controller may be unable to provide the required synchronization signals at the set cycle time, for example, due to insufficient computing power.	Analyze the communication or increase the cycle time.
E B123	2	Cyclic communication: The selected cycle time tolerance is too high Parameter _SigLatched Bit 21	The cycle time tolerance may not exceed one quarter of the set cycle time.	Enter a correct value.
E B124	0	Cyclic Communication: Drive is not synchronous with master cycle Parameter _WarnLatched Bit 21	Operating mode has been activated but drive is not synchronized to external synchronization signal.	After having started the synchronization mechanism, wait for 120 cycles before activating the operating mode.
E B200	0	RS485/Modbus: Protocol error detected Parameter _WarnLatched Bit 5	Logical protocol error detected: Incorrect length or unsupported subfunction.	Verify application on the Modbus master.
E B201	2	RS485/Modbus: Interruption of the connection Parameter _SigLatched Bit 5	Connection monitoring has detected an interruption of the connection.	Verify all connections and cables used for data exchange. Verify that the device is on.
E B202	0	RS485/Modbus: Interruption of the connection Parameter _WarnLatched Bit 5	Connection monitoring has detected an interruption of the connection.	Verify all connections and cables used for data exchange. Verify that the device is on.
E B203	0	RS485/Modbus: Incorrect number of monitor objects Parameter _WarnLatched Bit 5	-	-
E B312	2	Profibus: Clear command with error response Parameter _SigLatched Bit 21	Clear command sent by master, detected bus error.	Verify the application.
E B314	2	Watchdog error with error response Parameter _SigLatched Bit 21	The bus cycle time is greater than the programmed watchdog time.	Increase watchdog time.
E B316	2	Communication error detected with error response Parameter _SigLatched Bit 21	Detected system or bus error, EMI.	Verify fieldbus connection, shield connection.
E B400	2	CANopen: NMT reset with power stage enabled Parameter _SigLatched Bit 21	NMT Reset command is received while drive is in operating state Operation Enabled.	Disable the power stage before sending a NMT reset command.
E B401	2	CANopen: NMT stop with power stage enabled Parameter _SigLatched Bit 21	NMT Stop command is received while drive is in operating state Operation Enabled.	Disable the power stage before sending a NMT Stop command.
E B402	0	CAN PLL active Parameter _WarnLatched Bit 21	An attempt has been made to start the synchronization mechanism, but the synchronization mechanism was already active.	Deactivate the synchronization mechanism.
E B403	2	Excessive Sync period deviation Parameter _SigLatched Bit 21	The period time of the SYNC signals is not stable. The deviation is more than 100 usec.	The SYNC signals of the motion controller must be more accurate.

Error code	Error class	Description	Cause	Correctives
E B404	2	Sync signal error detected Parameter _SigLatched Bit 21	SYNC signal missed more than twice.	Verify CAN connection, verify motion controller.
E B405	2	Drive could not be adapted to master cycle Parameter _SigLatched Bit 21	The jitter of the SYNC object is too great or the motion bus requirements are not taken into account.	Verify the timing requirements regarding interpolation time period and number of devices.
E B406	0	Baud rate is not supported Parameter _WarnLatched Bit 21	The configured baud rate is not supported.	Choose one of the following baud rates: 250 kB, 500 kB, 1000 kB.
E B407	0	Drive is not synchronous with master cycle Parameter _WarnLatched Bit 21	The operating mode 'Cyclic Synchronous Mode' cannot be activated as long as the drive is not synchronized.	Verify motion controller. To be synchronized, the motion controller must cyclically send SYNC signals.
E B500	0	DeviceNet: IO data could not be processed Parameter _WarnLatched Bit 21	Error detected while processing I/O data: Output data contains invalid value.	Verify output data content (application).
E B501	2	DeviceNet: Duplicate MAC ID Parameter _SigLatched Bit 21	There is a device with the same MAC ID on the DeviceNet bus.	Use another MAC ID for this device or for the other device.
E B502	2	DeviceNet: Receive queue overrun Parameter _SigLatched Bit 21	-	-
E B503	2	DeviceNet: Transmit queue overrun Parameter _SigLatched Bit 21	-	-
E B504	2	DeviceNet: Error detected while sending an I/O message Parameter _SigLatched Bit 21	-	-
E B505	2	DeviceNet: CAN controller in state bus-off Parameter _SigLatched Bit 21	Too many error frames have been detected, CAN devices with different baudrates.	Verify CAN bus installation.
E B506	2	DeviceNet: CAN overflow (message lost) Parameter _SigLatched Bit 21	Two short DeviceNet messages have been sent too fast.	-
E B507	2	DeviceNet: Reset request, change of baud rate or MAC ID Parameter _SigLatched Bit 21	Master sent DeviceNet reset request while the power stage was enabled.	Reset the device only while the power stage is disabled.
E B508	2	DeviceNet: Power supply disabled Parameter _SigLatched Bit 21	DeviceNet bus power supply was powered off while the power stage was enabled.	Disable the power stage before powering off the DeviceNet master.
E B509	2	DeviceNet: Timeout explicit connection Parameter _SigLatched Bit 21	-	-
E B50A	2	DeviceNet: Timeout I/O connection Parameter _SigLatched Bit 21	-	-
E B50B	2	DeviceNet: Explicit connection terminated while operating state was Operation Enabled Parameter _SigLatched Bit 21	An explicit connection was terminated while no I/O channel was open and the power stage was enabled.	If you use explicit connections only, disable the power stage before terminating the connection.
E B50C	2	DeviceNet: I/O connection terminated while operating state was Operation Enabled Parameter _SigLatched Bit 21	An I/O connection was terminated while the power stage was enabled.	Disable the power stage before terminating the I/O connection.
E B600	2	Ethernet: Network overload Parameter _SigLatched Bit 21	-	-
E B601	2	Ethernet: Loss of Ethernet carrier Parameter _SigLatched Bit 21	-	-
E B602	2	Ethernet: Duplicate IP address Parameter _SigLatched Bit 21	-	-
E B603	2	Ethernet: No valid IP address Parameter _SigLatched Bit 21	-	-
E B604	0	Ethernet: DHCP/BOOTP Parameter _WarnLatched Bit 21	IP assignment via DHCP/BOOTP unsuccessful. Effort was given up after 2 minutes.	Set up a properly working DHCP or BOOTP server or assign the IP address manually.

Error code	Error class	Description	Cause	Correctives
E B605	2	Ethernet FDR: Unconfigured error detected Parameter_SigLatched Bit 21	-	-
E B606	2	Ethernet FDR: Irrecoverable error detected Parameter_SigLatched Bit 21	-	-
E B607	2	Ethernet: I/O data idle Parameter_SigLatched Bit 21	PLC has been stopped, but I/O data keeps being transmitted.	Disable power stage of connected drives before stopping the PLC.
E B610	2	EtherCAT: Fieldbus watchdog. Additional information in the error memory indicates the detailed error code. Parameter_SigLatched Bit 21	EtherCAT frames are lost, for example, due to inoperative cables or errors caused by the master.	Verify correct cabling and shield connection. Verify diagnostics info of EtherCAT master.
E B611	2	EtherCAT: Invalid I/O data. Additional information in the error memory indicates the Modbus address. Parameter_SigLatched Bit 21	Incorrect input data or output data (such as object length, object type)	Verify correct PDO configuration (length, objects, etc.).
E B612	2	EtherCAT: Link lost at input and output port Parameter_SigLatched Bit 21	EtherCAT cable. Link to connected devices lost.	Verify link LEDs. Verify cables and that the devices connected to input port and output port operate. Use EtherCAT master diagnostics for further troubleshooting.
E B613	2	Ethernet: Ethernet carrier port 2 not available Parameter_SigLatched Bit 21	-	-
E B614	1	EtherCAT: General error detected. Additional information in the error memory indicates the detailed error code. Parameter_SigLatched Bit 21	-	-
E B700	0	Drive Profile Lexium: On activation of the profile, no dmControl, refA or refB has been mapped.	dmControl, refA or refB have not been mapped.	Map dmControl, refA or refB.
E B702	1	Insufficient velocity resolution due to velocity scaling	Due to the configured velocity scaling, the velocity resolution in REFA16 is insufficient.	Change the velocity scaling.
E B703	0	Drive Profile Lexium: Write request with incorrect data type.	-	-

Chapter 11

Parameters

What Is in This Chapter?

This chapter contains the following topics:

Topic	Page
Representation of the Parameters	472
List of Parameters	475


Representation of the Parameters

Description

This chapter provides an overview of the parameters which can be used for operating the product.

In addition, special parameters for communication via the fieldbus are described in the corresponding fieldbus manual.

Unsuitable parameter values or unsuitable data may trigger unintended movements, trigger signals, damage parts and disable monitoring functions. Some parameter values or data do not become active until after a restart.

 **WARNING**

UNINTENDED EQUIPMENT OPERATION

- Only start the system if there are no persons or obstructions in the zone of operation.
- Do not operate the drive system with undetermined parameter values or data.
- Never modify a parameter value unless you fully understand the parameter and all effects of the modification.
- Restart the drive and verify the saved operational data and/or parameter values after modifications.
- Carefully run tests for all operating states and potential error situations when commissioning, upgrading or otherwise modifying the operation of the drive.
- Verify the functions after replacing the product and also after making modifications to the parameter values and/or other operational data.

Failure to follow these instructions can result in death, serious injury, or equipment damage.

Overview

The way parameters are shown provides information required for unique identification, the default values and the properties of a parameter.

Structure of the parameter representation:

Parameter name HMI menu HMI name	Description	Unit Minimum value Factory setting Maximum value	Data type R/W Persistent Expert	Parameter address via fieldbus
ABCDE <i>CONF</i> → <i>INF</i> - <i>Prn</i>	Short description Selection values 1 / <i>Abc1</i> / <i>Rbc l</i> : Explanation 1 2 / <i>Abc2</i> / <i>Rbc l</i> : Explanation 2 Description and details	A _{pk} 0.00 3.00 300.00	UINT32 R/W per. -	Fieldbus 1234

Field "Parameter Name"

The parameter name uniquely identifies a parameter.

Field "HMI menu" and "HMI name"

HMI menu shows the sequence of menus and commands to access the parameter via the HMI.

Field "Description"

Short description:

The short description contains information on the parameter and a cross reference to the page that describes the use of the parameter.

Selection values:

In the case of parameters which offer a selection of settings, the value to be entered via the fieldbus, the designation of the value for entry via the commissioning software and the designation of the value for entry via the HMI are specified.

1 = Value for input via fieldbus

Abc1 = Designation for entry via the commissioning software

Rbc l = Designation for entry via the HMI

Description and details:

Provides further information on the parameter.

Field "Unit"

The unit of the value.

Field "Minimum Value"

The minimum value which can be entered.

Field "Factory Settings"

Settings when the product is shipped.

Field "Maximum Value"

The maximum value which can be entered.

Field "Data Type"

If the minimum and the maximum values are not explicitly indicated, the valid range of values is determined by the data type.

Data type	Minimum value	Maximum value
INT8	-128	127
UINT8	0	255
INT16	-32768	32767
UINT16	0	65535
INT32	-2147483648	2147483647
UINT32	0	4294967295

Field "R/W"

Indicates read and/or write values

"R/" values can only be read

"R/W" values can be read and written.

Field "Persistent"

"per." indicates whether the value of the parameter is persistent, i.e. whether it remains in the memory after the device is powered off.

When a value of a persistent parameter is modified via the HMI, the drive stores the value automatically in the persistent memory.

When a value of a persistent parameter is modified via the commissioning software or the fieldbus, the user must explicitly store the modified value in the persistent memory.

Parameters for the safety module eSM are modified using the commissioning software. The parameter values are saved persistently after transfer. Explicit saving to the persistent memory is not required in the case of the eSM module.

Field "Parameter Address"

Each parameter has a unique parameter address. The parameter address is used to access the parameter via the fieldbus.

Decimal Numbers Entered via the Fieldbus

Please note that parameter values are entered via the fieldbus without a decimal point. All decimal places must be entered.

Input examples:

Value	Commissioning software	Fieldbus
20	20	20

Value	Commissioning software	Fieldbus
5.0	5.0	50
23.57	23.57	2357
1.000	1.000	1000

List of Parameters

List of the Parameters Sorted by Parameter Name

Parameter name HMI menu HMI name	Description	Unit Minimum value Factory setting Maximum value	Data type R/W Persistent Expert	Parameter address via fieldbus
_AccessInfo	<p>Access channel information. Low byte: Exclusive access Value 0: No Value 1: Yes</p> <p>High byte: Access channel Value 0: Reserved Value 1: I/O Value 2: HMI Value 3: Modbus RS485 Value 4: Fieldbus main channel Value 5: CAN module: CANopen second SDO ETH module (Modbus TCP): Modbus TCP ETH module (Ethernet/IP): Reserved PDP module: Profibus Master Class 2 PNT module (Modbus TCP): Modbus TCP Values 6 ... 12: ETH module (Modbus TCP): Modbus TCP ETH module (Ethernet/IP): Reserved Values 13 ... 28: Ethernet/IP explicit channels 0 to 15</p>	- - - -	UINT16 R/- - -	CANopen 3001:C _h Modbus 280 Profibus 280 CIP 101.1.12 ModbusTCP 280 EtherCAT 3001:C _h PROFINET 280
_actionStatus	<p>Action word. Signal state: 0: Not activated 1: Activated</p> <p>Bit assignments: Bit 0: Error class 0 Bit 1: Error class 1 Bit 2: Error class 2 Bit 3: Error class 3 Bit 4: Error class 4 Bit 5: Reserved Bit 6: Motor is at a standstill ($_n_act < 9$ RPM) Bit 7: Motor movement in positive direction Bit 8: Motor movement in negative direction Bit 9: Assignment can be set via parameter DPL_intLim Bit 10: Assignment can be set via parameter DS402intLim Bit 11: Profile generator idle (reference velocity is 0) Bit 12: Profile generator decelerates Bit 13: Profile generator accelerates Bit 14: Profile generator moves at constant speed Bit 15: Reserved</p>	- - - -	UINT16 R/- - -	CANopen 301C:4 _h Modbus 7176 Profibus 7176 CIP 128.1.4 ModbusTCP 7176 EtherCAT 301C:4 _h PROFINET 7176
_AT_J	<p>Moment of inertia of the system. Is automatically calculated during Autotuning. In increments of 0.1 kg cm².</p>	kg cm ² 0.1 0.1 6553.5	UINT16 R/- per. -	CANopen 302F:C _h Modbus 12056 Profibus 12056 CIP 147.1.12 ModbusTCP 12056 EtherCAT 302F:C _h PROFINET 12056
_AT_M_friction	<p>Friction torque of the system. Is determined during Autotuning. In increments of 0.01 A_{rms}.</p>	A _{rms} - - -	UINT16 R/- - -	CANopen 302F:7 _h Modbus 12046 Profibus 12046 CIP 147.1.7 ModbusTCP 12046 EtherCAT 302F:7 _h PROFINET 12046

Parameter name HMI menu HMI name	Description	Unit Minimum value Factory setting Maximum value	Data type R/W Persistent Expert	Parameter address via fieldbus
_AT_M_load	Constant load torque. Is determined during Autotuning. In increments of 0.01 A_{rms} .	A_{rms} - - -	INT16 R/- - -	CANopen 302F:8 _h Modbus 12048 Profibus 12048 CIP 147.1.8 ModbusTCP 12048 EtherCAT 302F:8 _h PROFINET 12048
_AT_progress	Progress of Autotuning.	% 0 0 100	UINT16 R/- - -	CANopen 302F:B _h Modbus 12054 Profibus 12054 CIP 147.1.11 ModbusTCP 12054 EtherCAT 302F:B _h PROFINET 12054
_AT_state	Autotuning status. Bit assignments: Bits 0 ... 10: Last processing step Bit 13: auto_tune_process Bit 14: auto_tune_end Bit 15: auto_tune_err	- - - -	UINT16 R/- - -	CANopen 302F:2 _h Modbus 12036 Profibus 12036 CIP 147.1.2 ModbusTCP 12036 EtherCAT 302F:2 _h PROFINET 12036
_CanDiag	CANopen diagnostics word. 0001h: pms read error for TxPdo 0002h: pms write error for RxPdo1 0004h: pms write error for RxPdo2 0008h: pms write error for RxPdo3 0010h: pms write error for RxPdo4 0020h: heartbeat or lifeguard error (timer expired) 0040h: heartbeat msg with incorrect state received 0080h: CAN error counter >96 0100h: CAN message lost 0200h: CAN error counter = 256 (bus-off) 0400h: software queue rx/tx overrun 0800h: error indication from last detected error	- - - -	UINT16 R/- - -	CANopen 3041:6 _h Modbus 16652 Profibus 16652 CIP 165.1.6 ModbusTCP 16652 EtherCAT 3041:6 _h PROFINET 16652
_Cap1CntFall	Capture input 1 event counter at falling edges (DS402). Counts the capture events at falling edges. The event counter is reset when capture input 1 is activated. Available with firmware version $\geq V01.16$.	- - - -	UINT16 R/- - -	CANopen 300A:2C _h Modbus 2648 Profibus 2648 CIP 110.1.44 ModbusTCP 2648 EtherCAT 300A:2C _h PROFINET 2648
_Cap1CntRise	Capture input 1 event counter at rising edges (DS402). Counts the capture events at rising edges. The event counter is reset when capture input 1 is activated. Available with firmware version $\geq V01.16$.	- - - -	UINT16 R/- - -	CANopen 300A:2B _h Modbus 2646 Profibus 2646 CIP 110.1.43 ModbusTCP 2646 EtherCAT 300A:2B _h PROFINET 2646
_Cap1Count	Capture input 1 event counter (one-time). Counts the capture events. The event counter is reset when capture input 1 is activated.	- - - -	UINT16 R/- - -	CANopen 300A:8 _h Modbus 2576 Profibus 2576 CIP 110.1.8 ModbusTCP 2576 EtherCAT 300A:8 _h PROFINET 2576

Parameter name HMI menu HMI name	Description	Unit Minimum value Factory setting Maximum value	Data type R/W Persistent Expert	Parameter address via fieldbus
_Cap1CountCons	Capture input 1 event counter (continuous). Counts the capture events. The event counter is reset when capture input 1 is activated. By reading this parameter, the parameter "_Cap1PosCons" is updated and locked so it cannot be changed. Both parameter values remain consistent. Available with firmware version \geq V01.12.	- - - -	UINT16 R/- - -	CANopen 300A:17 _h Modbus 2606 Profibus 2606 CIP 110.1.23 ModbusTCP 2606 EtherCAT 300A:17 _h PROFINET 2606
_Cap1Pos	Capture input 1 captured position (one-time). Captured position at the time of the "capture signal". The captured position is re-calculated after "Position Setting" or "Reference Movement".	usr_p - - -	INT32 R/- - -	CANopen 300A:6 _h Modbus 2572 Profibus 2572 CIP 110.1.6 ModbusTCP 2572 EtherCAT 300A:6 _h PROFINET 2572
_Cap1PosCons	Capture input 1 captured position (continuous). Captured position at the time of the "capture signal". The captured position is re-calculated after "Position Setting" or "Reference Movement". By reading the parameter "_Cap1CountCons", this parameter is updated and locked so it cannot be changed. Both parameter values remain consistent. Available with firmware version \geq V01.12.	usr_p - - -	INT32 R/- - -	CANopen 300A:18 _h Modbus 2608 Profibus 2608 CIP 110.1.24 ModbusTCP 2608 EtherCAT 300A:18 _h PROFINET 2608
_Cap1PosFallEdge	Capture input 1 captured position at falling edge (DS402). This parameter contains the position captured at the point in time a falling edge was detected. The captured position is recalculated after "Position Setting" or "Reference Movement". Available with firmware version \geq V01.16.	usr_p - - -	INT32 R/- - -	CANopen 60BB:0 _h Modbus 2636 Profibus 2636 CIP 110.1.38 ModbusTCP 2636 EtherCAT 60BB:0 _h PROFINET 2636
_Cap1PosRiseEdge	Capture input 1 captured position at rising edge (DS402). This parameter contains the position captured at the point in time a rising edge was detected. The captured position is recalculated after "Position Setting" or "Reference Movement". Available with firmware version \geq V01.16.	usr_p - - -	INT32 R/- - -	CANopen 60BA:0 _h Modbus 2634 Profibus 2634 CIP 110.1.37 ModbusTCP 2634 EtherCAT 60BA:0 _h PROFINET 2634
_Cap2CntFall	Capture input 2 event counter at falling edges (DS402). Counts the capture events at falling edges. The event counter is reset when capture input 2 is activated. Available with firmware version \geq V01.16.	- - - -	UINT16 R/- - -	CANopen 300A:2E _h Modbus 2652 Profibus 2652 CIP 110.1.46 ModbusTCP 2652 EtherCAT 300A:2E _h PROFINET 2652
_Cap2CntRise	Capture input 2 event counter at rising edges (DS402). Counts the capture events at rising edges. The event counter is reset when capture input 2 is activated. Available with firmware version \geq V01.16.	- - - -	UINT16 R/- - -	CANopen 300A:2D _h Modbus 2650 Profibus 2650 CIP 110.1.45 ModbusTCP 2650 EtherCAT 300A:2D _h PROFINET 2650

Parameter name HMI menu HMI name	Description	Unit Minimum value Factory setting Maximum value	Data type R/W Persistent Expert	Parameter address via fieldbus
_Cap2Count	Capture input 2 event counter (one-time). Counts the capture events. The event counter is reset when capture input 2 is activated.	- - - -	UINT16 R/- - -	CANopen 300A:9 _h Modbus 2578 Profibus 2578 CIP 110.1.9 ModbusTCP 2578 EtherCAT 300A:9 _h PROFINET 2578
_Cap2CountCons	Capture input 2 event counter (continuous). Counts the capture events. The event counter is reset when capture input 2 is activated. By reading this parameter, the parameter "_Cap2PosCons" is updated and locked so it cannot be changed. Both parameter values remain consistent. Available with firmware version \geq V01.12.	- - - -	UINT16 R/- - -	CANopen 300A:19 _h Modbus 2610 Profibus 2610 CIP 110.1.25 ModbusTCP 2610 EtherCAT 300A:19 _h PROFINET 2610
_Cap2Pos	Capture input 2 captured position (one-time). Captured position at the time of the "capture signal". The captured position is re-calculated after "Position Setting" or "Reference Movement".	usr_p - - -	INT32 R/- - -	CANopen 300A:7 _h Modbus 2574 Profibus 2574 CIP 110.1.7 ModbusTCP 2574 EtherCAT 300A:7 _h PROFINET 2574
_Cap2PosCons	Capture input 2 captured position (continuous). Captured position at the time of the "capture signal". The captured position is re-calculated after "Position Setting" or "Reference Movement". By reading the parameter "_Cap2CountCons", this parameter is updated and locked so it cannot be changed. Both parameter values remain consistent. Available with firmware version \geq V01.12.	usr_p - - -	INT32 R/- - -	CANopen 300A:1A _h Modbus 2612 Profibus 2612 CIP 110.1.26 ModbusTCP 2612 EtherCAT 300A:1A _h PROFINET 2612
_Cap2PosFallEdge	Capture input 2 captured position at falling edge (DS402). This parameter contains the position captured at the point in time a falling edge was detected. The captured position is recalculated after "Position Setting" or "Reference Movement". Available with firmware version \geq V01.16.	usr_p - - -	INT32 R/- - -	CANopen 60BD:0 _h Modbus 2640 Profibus 2640 CIP 110.1.40 ModbusTCP 2640 EtherCAT 60BD:0 _h PROFINET 2640
_Cap2PosRisEdge	Capture input 2 captured position at rising edge (DS402). This parameter contains the position captured at the point in time a rising edge was detected. The captured position is recalculated after "Position Setting" or "Reference Movement". Available with firmware version \geq V01.16.	usr_p - - -	INT32 R/- - -	CANopen 60BC:0 _h Modbus 2638 Profibus 2638 CIP 110.1.39 ModbusTCP 2638 EtherCAT 60BC:0 _h PROFINET 2638
_Cap3Count	Capture input 3 event counter (one-time). Counts the capture events. The event counter is reset when capture input 3 is activated. Available with hardware version \geq RS03.	- - - -	UINT16 R/- - -	CANopen 300A:14 _h Modbus 2600 Profibus 2600 CIP 110.1.20 ModbusTCP 2600 EtherCAT 300A:14 _h PROFINET 2600

Parameter name HMI menu HMI name	Description	Unit Minimum value Factory setting Maximum value	Data type R/W Persistent Expert	Parameter address via fieldbus
_Cap3CountCons	<p>Capture input 3 event counter (continuous). Counts the capture events. The event counter is reset when capture input 3 is activated. By reading this parameter, the parameter "_Cap3PosCons" is updated and locked so it cannot be changed. Both parameter values remain consistent.</p> <p>Available with hardware version \geqRS03. Available with firmware version \geqV01.12.</p>	- - - -	UINT16 R/- - -	CANopen 300A:1B _h Modbus 2614 Profibus 2614 CIP 110.1.27 ModbusTCP 2614 EtherCAT 300A:1B _h PROFINET 2614
_Cap3Pos	<p>Capture input 3 captured position (one-time). Captured position at the time of the "capture signal". The captured position is re-calculated after "Position Setting" or "Reference Movement".</p> <p>Available with hardware version \geqRS03.</p>	usr_p - - -	INT32 R/- - -	CANopen 300A:13 _h Modbus 2598 Profibus 2598 CIP 110.1.19 ModbusTCP 2598 EtherCAT 300A:13 _h PROFINET 2598
_Cap3PosCons	<p>Capture input 3 captured position (continuous). Captured position at the time of the "capture signal". The captured position is re-calculated after "Position Setting" or "Reference Movement". By reading the parameter "_Cap3CountCons", this parameter is updated and locked so it cannot be changed. Both parameter values remain consistent.</p> <p>Available with hardware version \geqRS03. Available with firmware version \geqV01.12.</p>	usr_p - - -	INT32 R/- - -	CANopen 300A:1C _h Modbus 2616 Profibus 2616 CIP 110.1.28 ModbusTCP 2616 EtherCAT 300A:1C _h PROFINET 2616
_CapEventCounters	<p>Capture inputs 1 and 2 summary of event counters (DS402). This parameter contains the counted capture events.</p> <p>Bits 0 ... 3: _Cap1CntRise (lowest 4 bits) Bits 4 ... 7: _Cap1CntFall (lowest 4 bits) Bits 8 ... 11: _Cap2CntRise (lowest 4 bits) Bits 12 ... 15: _Cap2CntFall (lowest 4 bits) Available with firmware version \geqV01.16.</p>	- - - -	UINT16 R/- - -	CANopen 300A:2F _h Modbus 2654 Profibus 2654 CIP 110.1.47 ModbusTCP 2654 EtherCAT 300A:2F _h PROFINET 2654
_CapStatus	<p>Status of the capture inputs. Read access: Bit 0: Position captured via input CAP1 Bit 1: Position captured via input CAP2 Bit 2: Position captured via input CAP3</p>	- - - -	UINT16 R/- - -	CANopen 300A:1 _h Modbus 2562 Profibus 2562 CIP 110.1.1 ModbusTCP 2562 EtherCAT 300A:1 _h PROFINET 2562
_CommutCntAct	<p>Actual value of commutation monitoring counter. Available with firmware version \geqV01.30.</p>	- - - -	INT16 R/- - -	CANopen 303F:62 _h Modbus 16324 Profibus 16324 CIP 163.1.98 ModbusTCP 16324 EtherCAT 303F:62 _h PROFINET 16324

Parameter name HMI menu HMI name	Description	Unit Minimum value Factory setting Maximum value	Data type R/W Persistent Expert	Parameter address via fieldbus
_Cond_State4	Conditions for transition to operating state Ready To Switch On. Signal state: 0: Condition not met 1: Condition met Bit 0: DC bus or mains voltage Bit 1: Inputs for safety function Bit 2: No configuration download ongoing Bit 3: Velocity greater than limit value Bit 4: Absolute position has been set Bit 5: Holding brake not manually released	- - - -	UINT16 R/- - -	CANopen 301C:26 _h Modbus 7244 Profibus 7244 CIP 128.1.38 ModbusTCP 7244 EtherCAT 301C:26 _h PROFINET 7244
_CTRL_ActParSet	Active control loop parameter set. Value 1: Control loop parameter set 1 is active Value 2: Control loop parameter set 2 is active A control loop parameter set is active after the time for the parameter switching (CTRL_ParChgTime) has elapsed.	- - -	UINT16 R/- - -	CANopen 3011:17 _h Modbus 4398 Profibus 4398 CIP 117.1.23 ModbusTCP 4398 EtherCAT 3011:17 _h PROFINET 4398
_CTRL_KPId	Current controller d component P gain. This value is calculated on the basis of the motor parameters. In increments of 0.1 V/A. Modified settings become active immediately.	V/A 0.5 - 1270.0	UINT16 R/- per. -	CANopen 3011:1 _h Modbus 4354 Profibus 4354 CIP 117.1.1 ModbusTCP 4354 EtherCAT 3011:1 _h PROFINET 4354
_CTRL_KPiq	Current controller q component P gain. This value is calculated on the basis of the motor parameters. In increments of 0.1 V/A. Modified settings become active immediately.	V/A 0.5 - 1270.0	UINT16 R/- per. -	CANopen 3011:3 _h Modbus 4358 Profibus 4358 CIP 117.1.3 ModbusTCP 4358 EtherCAT 3011:3 _h PROFINET 4358
_CTRL_TNId	Current controller d component integral action time. This value is calculated on the basis of the motor parameters. In increments of 0.01 ms. Modified settings become active immediately.	ms 0.13 - 327.67	UINT16 R/- per. -	CANopen 3011:2 _h Modbus 4356 Profibus 4356 CIP 117.1.2 ModbusTCP 4356 EtherCAT 3011:2 _h PROFINET 4356
_CTRL_TNi q	Current controller q component integral action time. This value is calculated on the basis of the motor parameters. In increments of 0.01 ms. Modified settings become active immediately.	ms 0.13 - 327.67	UINT16 R/- per. -	CANopen 3011:4 _h Modbus 4360 Profibus 4360 CIP 117.1.4 ModbusTCP 4360 EtherCAT 3011:4 _h PROFINET 4360
_DataError	Error code for detected synchronous errors (DE bit). Drive Profile Lexium: Manufacturer-specific error code that caused the DataError bit to be set. Usually, this is an error that was detected as a result to changing of a data value within the process data. The DataError bit relates to MT-independent parameters.	- - - -	UINT16 R/- - -	CANopen 301B:1B _h Modbus 6966 Profibus 6966 CIP 127.1.27 ModbusTCP 6966 EtherCAT 301B:1B _h PROFINET 6966

Parameter name HMI menu HMI name	Description	Unit Minimum value Factory setting Maximum value	Data type R/W Persistent Expert	Parameter address via fieldbus
_DataErrorInfo	Additional error information of a detected DataError (DE bit). Drive Profile Lexium: Indicates the parameter of the mapping that caused the DE bit to be set. The DE bit is set if MT-independent parameters of the active mapping cause an error in connection with a write command. Example: 1 = First mapped parameter 2 = Second mapped parameter etc.	- - - -	UINT16 R/- - -	CANopen 301B:1D _h Modbus 6970 Profibus 6970 CIP 127.1.29 ModbusTCP 6970 EtherCAT 301B:1D _h PROFINET 6970
_DCOMopmd_act	Active operating mode. -6 / Manual Tuning / Autotuning: Manual Tuning / Autotuning -3 / Motion Sequence: Motion Sequence -2 / Electronic Gear: Electronic Gear -1 / Jog: Jog 0 / Reserved: Reserved 1 / Profile Position: Profile Position 3 / Profile Velocity: Profile Velocity 4 / Profile Torque: Profile Torque 6 / Homing: Homing 7 / Interpolated Position: Interpolated Position 8 / Cyclic Synchronous Position: Cyclic Synchronous Position 9 / Cyclic Synchronous Velocity: Cyclic Synchronous Velocity 10 / Cyclic Synchronous Torque: Cyclic Synchronous Torque * Datatype for CANopen: INT8	- -6 0 10	INT16* R/- - -	CANopen 6061:0 _h Modbus 6920 Profibus 6920 CIP 127.1.4 ModbusTCP 6920 EtherCAT 6061:0 _h PROFINET 6920
_DCOMstatus	DriveCom status word. Bit assignments: Bit 0: Operating state Ready To Switch On Bit 1: Operating state Switched On Bit 2: Operating state Operation Enabled Bit 3: Operating state Fault Bit 4: Voltage Enabled Bit 5: Operating state Quick Stop Bit 6: Operating state Switch On Disabled Bit 7: Error of error class 0 Bit 8: HALT request active Bit 9: Remote Bit 10: Target Reached Bit 11: Internal Limit Active Bit 12: Operating mode-specific Bit 13: x_err Bit 14: x_end Bit 15: ref_ok	- - - -	UINT16 R/- - -	CANopen 6041:0 _h Modbus 6916 Profibus 6916 CIP 127.1.2 ModbusTCP 6916 EtherCAT 6041:0 _h PROFINET 6916
_DEV_T_current <i>П а н t d e v</i>	Temperature of device.	°C - - -	INT16 R/- - -	CANopen 301C:12 _h Modbus 7204 Profibus 7204 CIP 128.1.18 ModbusTCP 7204 EtherCAT 301C:12 _h PROFINET 7204
_DPL_BitShiftRefA16	Bit shift for RefA16 for Drive Profile Lexium. Velocity scaling may lead to values that cannot be represented as 16 bit values. If RefA16 is used, this parameter indicates the number of bits by which the value is shifted so that transmission is possible. The master must take into account this value prior to transmission and shift the bits to the right accordingly. The number of bits is recalculated each time the power stage is enabled. Modified settings become active immediately.	- 0 0 12	UINT16 R/- - -	CANopen 301B:5 _h Modbus 6922 Profibus 6922 CIP 127.1.5 ModbusTCP 6922 EtherCAT 301B:5 _h PROFINET 6922

Parameter name HMI menu HMI name	Description	Unit Minimum value Factory setting Maximum value	Data type R/W Persistent Expert	Parameter address via fieldbus
_DPL_driveInput	Drive Profile Lexium driveInput.	- - - -	UINT16 R/- - -	CANopen 301B:28 _h Modbus 6992 Profibus 6992 CIP 127.1.40 ModbusTCP 6992 EtherCAT 301B:28 _h PROFINET 6992
_DPL_driveStat	Drive Profile Lexium driveStat.	- - - -	UINT16 R/- - -	CANopen 301B:25 _h Modbus 6986 Profibus 6986 CIP 127.1.37 ModbusTCP 6986 EtherCAT 301B:25 _h PROFINET 6986
_DPL_mfStat	Drive Profile Lexium mfStat.	- - - -	UINT16 R/- - -	CANopen 301B:26 _h Modbus 6988 Profibus 6988 CIP 127.1.38 ModbusTCP 6988 EtherCAT 301B:26 _h PROFINET 6988
_DPL_motionStat	Drive Profile Lexium motionStat.	- - - -	UINT16 R/- - -	CANopen 301B:27 _h Modbus 6990 Profibus 6990 CIP 127.1.39 ModbusTCP 6990 EtherCAT 301B:27 _h PROFINET 6990
_ECATaddress CONF → CONF - E c R R	EtherCAT address used. EtherCAT slave address set by the master. Modified settings become active immediately.	- - 1 -	UINT16 R/- - -	CANopen 3045:7 _h Modbus 17678 Profibus 17678 CIP 169.1.7 ModbusTCP 17678 EtherCAT 3045:7 _h PROFINET 17678
_ECATslavestate CONF → CONF - E c 5 5	EtherCAT slave state. 1 / Init / i n i t : Init 2 / PreOp / P r o p : Pre-Operational 3 / Boot / b o o t : Bootstrap 4 / SafeOp / S F o P : Safe-Operational 8 / Op / o p : Operational	- - 1 -	UINT16 R/- - -	CANopen 3045:2 _h Modbus 17668 Profibus 17668 CIP 169.1.2 ModbusTCP 17668 EtherCAT 3045:2 _h PROFINET 17668
_ENC_AmplMax	Maximum value of the SinCos amplitude. This value is only available if monitoring of the SinCos amplitude has been activated. Available with firmware version ≥V01.26.	mV - - -	UINT16 R/- - -	CANopen 303F:60 _h Modbus 16320 Profibus 16320 CIP 163.1.96 ModbusTCP 16320 EtherCAT 303F:60 _h PROFINET 16320

Parameter name HMI menu HMI name	Description	Unit Minimum value Factory setting Maximum value	Data type R/W Persistent Expert	Parameter address via fieldbus
_ENC_AmplMean	Mean value of the SinCos amplitude. This value is only available if monitoring of the SinCos amplitude has been activated. Available with firmware version \geq V01.26.	mV - - -	UINT16 R/- - -	CANopen 303F:5E _h Modbus 16316 Profibus 16316 CIP 163.1.94 ModbusTCP 16316 EtherCAT 303F:5E _h PROFINET 16316
_ENC_AmplMin	Minimum value of the SinCos amplitude. This value is only available if monitoring of the SinCos amplitude has been activated. Available with firmware version \geq V01.26.	mV - - -	UINT16 R/- - -	CANopen 303F:5F _h Modbus 16318 Profibus 16318 CIP 163.1.95 ModbusTCP 16318 EtherCAT 303F:5F _h PROFINET 16318
_ENC_AmplVal	Value of the SinCos amplitude. This value is only available if monitoring of the SinCos amplitude has been activated. Available with firmware version \geq V01.26.	mV - - -	UINT16 R/- - -	CANopen 303F:5D _h Modbus 16314 Profibus 16314 CIP 163.1.93 ModbusTCP 16314 EtherCAT 303F:5D _h PROFINET 16314
_Enc2Cos	Cosine signal of encoder 2. In increments of 0.001 V. Available with firmware version \geq V01.26.	V - - -	INT16 R/- - -	CANopen 3051:5 _h Modbus 20746 Profibus 20746 CIP 181.1.5 ModbusTCP 20746 EtherCAT 3051:5 _h PROFINET 20746
_Enc2Sin	Sine signal of encoder 2. In increments of 0.001 V. Available with firmware version \geq V01.26.	V - - -	INT16 R/- - -	CANopen 3051:6 _h Modbus 20748 Profibus 20748 CIP 181.1.6 ModbusTCP 20748 EtherCAT 3051:6 _h PROFINET 20748
_ENCAnaHallStatu	Sequence of Hall effect sensor signals of analog encoder. This parameter can be used to read the sequence of the Hall effect sensor signals of an analog encoder with the interface "SinCos 1Vpp (with Hall)". Available with firmware version \geq V01.01.	- 0 - 7	UINT16 R/- - -	CANopen 3051:3 _h Modbus 20742 Profibus 20742 CIP 181.1.3 ModbusTCP 20742 EtherCAT 3051:3 _h PROFINET 20742
_ERR_class	Error class. Value 0: Error class 0 Value 1: Error class 1 Value 2: Error class 2 Value 3: Error class 3 Value 4: Error class 4	- 0 - 4	UINT16 R/- - -	CANopen 303C:2 _h Modbus 15364 Profibus 15364 CIP 160.1.2 ModbusTCP 15364 EtherCAT 303C:2 _h PROFINET 15364

Parameter name HMI menu HMI name	Description	Unit Minimum value Factory setting Maximum value	Data type R/W Persistent Expert	Parameter address via fieldbus
_ERR_DCbus	DC bus voltage at the time the error was detected. In increments of 0.1 V.	V - - -	UINT16 R/- - -	CANopen 303C:7 _h Modbus 15374 Profibus 15374 CIP 160.1.7 ModbusTCP 15374 EtherCAT 303C:7 _h PROFINET 15374
_ERR_enable_cycles	Number of cycles of enabling the power stage at error time. Number of cycles of enabling the power stage from the time the control voltage was applied to the time the error was detected.	- - - -	UINT16 R/- - -	CANopen 303C:5 _h Modbus 15370 Profibus 15370 CIP 160.1.5 ModbusTCP 15370 EtherCAT 303C:5 _h PROFINET 15370
_ERR_enable_time	Time between enabling of power stage and detection of the error.	s - - -	UINT16 R/- - -	CANopen 303C:6 _h Modbus 15372 Profibus 15372 CIP 160.1.6 ModbusTCP 15372 EtherCAT 303C:6 _h PROFINET 15372
_ERR_motor_I	Motor current at the time the error was detected. In increments of 0.01 A _{rms} .	A _{rms} - - -	UINT16 R/- - -	CANopen 303C:9 _h Modbus 15378 Profibus 15378 CIP 160.1.9 ModbusTCP 15378 EtherCAT 303C:9 _h PROFINET 15378
_ERR_motor_v	Motor velocity at the time the error was detected.	usr_v - - -	INT32 R/- - -	CANopen 303C:8 _h Modbus 15376 Profibus 15376 CIP 160.1.8 ModbusTCP 15376 EtherCAT 303C:8 _h PROFINET 15376
_ERR_number	Error code. Reading this parameter copies the entire entry for the detected error (error class, time of detection of error, ...) to an intermediate memory from which the elements of the detected error can then be read. In addition, the read pointer of the error memory is automatically set to the next error entry.	- 0 - 65535	UINT16 R/- - -	CANopen 303C:1 _h Modbus 15362 Profibus 15362 CIP 160.1.1 ModbusTCP 15362 EtherCAT 303C:1 _h PROFINET 15362
_ERR_powerOn Пон Power	Number of power on cycles.	- 0 - 4294967295	UINT32 R/- - -	CANopen 303B:2 _h Modbus 15108 Profibus 15108 CIP 159.1.2 ModbusTCP 15108 EtherCAT 303B:2 _h PROFINET 15108

Parameter name HMI menu HMI name	Description	Unit Minimum value Factory setting Maximum value	Data type R/W Persistent Expert	Parameter address via fieldbus
_ERR_qual	Additional information on detected error. This entry contains additional information on the detected error, depending on the error number. Example: a parameter address	- 0 - 65535	UINT16 R/- - -	CANopen 303C:4 _h Modbus 15368 Profibus 15368 CIP 160.1.4 ModbusTCP 15368 EtherCAT 303C:4 _h PROFINET 15368
_ERR_temp_dev	Temperature of device at the time the error was detected.	°C - - -	INT16 R/- - -	CANopen 303C:B _h Modbus 15382 Profibus 15382 CIP 160.1.11 ModbusTCP 15382 EtherCAT 303C:B _h PROFINET 15382
_ERR_temp_ps	Temperature of power stage at the time the error was detected.	°C - - -	INT16 R/- - -	CANopen 303C:A _h Modbus 15380 Profibus 15380 CIP 160.1.10 ModbusTCP 15380 EtherCAT 303C:A _h PROFINET 15380
_ERR_time	Time of detection of error. With reference to operating hours counter	s 0 - 536870911	UINT32 R/- - -	CANopen 303C:3 _h Modbus 15366 Profibus 15366 CIP 160.1.3 ModbusTCP 15366 EtherCAT 303C:3 _h PROFINET 15366
_ErrNumFbParSv c	Last error code of fieldbus parameter services. Some fieldbusses only provide general error codes if a request for a parameter service is not successful. This parameter returns the vendor-specific error code of the last unsuccessful service.	- - - -	UINT16 R/- - -	CANopen 3040:43 _h Modbus 16518 Profibus 16518 CIP 164.1.67 ModbusTCP 16518 EtherCAT 3040:43 _h PROFINET 16518
_eSM_funct П о н S П о P	eSM function. Active eSM function Value 0: Safe Torque Off (STO) Value 1: No function active Value 2: Safe Operating Stop (SOS) Value 3: Safely Limited Speed (SLS) Value 4: Reserved Value 5: Safe Stop 1 (SS1) Value 6: Safe Stop 2 (SS2) Value 7: Safe Operating Stop (SOS) after error Value 8: Safely Limited Speed (SLS) in machine operating mode Automatic Mode If bit 15 of the value is set: GUARD_ACK was triggered Available with firmware version ≥V01.01.	- - - -	UINT16 R/- - -	CANopen 304C:17 _h Modbus 19502 Profibus 19502 CIP 176.1.23 ModbusTCP 19502 EtherCAT 304C:17 _h PROFINET 19502

Parameter name HMI menu HMI name	Description	Unit Minimum value Factory setting Maximum value	Data type R/W Persistent Expert	Parameter address via fieldbus
_eSM_LI_act	eSM digital inputs channel B. Signal state: 0: 0 level 1: 1 level Bit assignments: Bit 0: /ESTOP_B Bit 1: GUARD_B Bit 3: SETUPMODE_B Bit 4: SETUPENABLE_B Bit 6: GUARD_ACK Bit 8: ESMSTART Bit 9: /INTERLOCK_IN Available with firmware version \geq V01.01.	- - - -	UINT16 R/- - -	CANopen 304C:12 _h Modbus 19492 Profibus 19492 CIP 176.1.18 ModbusTCP 19492 EtherCAT 304C:12 _h PROFINET 19492
_eSM_LI_mask	eSM digital inputs channel B mask. Mask of active digital inputs 0: Digital input is not active 1: Digital input is active Bit assignments: See digital inputs channel. Available with firmware version \geq V01.01.	- - - -	UINT16 R/- - -	CANopen 304C:13 _h Modbus 19494 Profibus 19494 CIP 176.1.19 ModbusTCP 19494 EtherCAT 304C:13 _h PROFINET 19494
_eSM_IO_act	eSM digital outputs channel B. Signal state: 0: 0 level 1: 1 level Bit assignments: Bit 0: CCM24V_OUT_B Bit 1: Drive operating state 6 Operation Enabled (B) Bit 2: RELAY_OUT_B Bit 3: AUXOUT2 Bit 4: /INTERLOCK_OUT Bits 5 ... 15: Reserved Available with firmware version \geq V01.01.	- - - -	UINT16 R/- - -	CANopen 304C:14 _h Modbus 19496 Profibus 19496 CIP 176.1.20 ModbusTCP 19496 EtherCAT 304C:14 _h PROFINET 19496
_eSM_state П о н 5 П 5 t	eSM operating state. 0 / eSM module missing / П , 5 5 : eSM module missing 1 / Start / 5 t r t : Start 2 / Not Ready To Switch On / n r d y : Not Ready To Switch On 3 / Switch On Disabled / d , 5 : Switch On Disabled 4 / Ready To Switch On / r d y : Ready To Switch On 6 / Operation Enabled / r u n : Operation Enabled 7 / Quick Stop / q 5 t P : Quick Stop 8 / Fault Reaction Active / F L t : Fault Reaction Active 9 / Fault / F L t : Fault Status word of eSM state machine Available with firmware version \geq V01.01.	- - - -	UINT16 R/- - -	CANopen 304C:16 _h Modbus 19500 Profibus 19500 CIP 176.1.22 ModbusTCP 19500 EtherCAT 304C:16 _h PROFINET 19500
_eSMVer	eSM revision of firmware. Revision of firmware: Bits 0 ... 7: Firmware evolution (dec) Bits 8 ... 15: Firmware minor revision (dec) Bits 16 ... 23: Firmware major revision (dec) Bits 24 ... 31: Reserved Available with firmware version \geq V01.01.	- - - -	UINT32 R/- - -	CANopen 304C:F _h Modbus 19486 Profibus 19486 CIP 176.1.15 ModbusTCP 19486 EtherCAT 304C:F _h PROFINET 19486

Parameter name HMI menu HMI name	Description	Unit Minimum value Factory setting Maximum value	Data type R/W Persistent Expert	Parameter address via fieldbus
_EthIPgateAct1	Currently used IP address gateway, byte 1. Byte 1 (x.0.0.0) of the IP address of the gateway.	- - - -	UINT16 R/- - -	CANopen 3044:1B _h Modbus 17462 Profibus 17462 CIP 168.1.27 ModbusTCP 17462 EtherCAT 3044:1B _h PROFINET 17462
_EthIPgateAct2	Currently used IP address gateway, byte 2.	- - - -	UINT16 R/- - -	CANopen 3044:1C _h Modbus 17464 Profibus 17464 CIP 168.1.28 ModbusTCP 17464 EtherCAT 3044:1C _h PROFINET 17464
_EthIPgateAct3	Currently used IP address gateway, byte 3.	- - - -	UINT16 R/- - -	CANopen 3044:1D _h Modbus 17466 Profibus 17466 CIP 168.1.29 ModbusTCP 17466 EtherCAT 3044:1D _h PROFINET 17466
_EthIPgateAct4	Currently used IP address gateway, byte 4.	- - - -	UINT16 R/- - -	CANopen 3044:1E _h Modbus 17468 Profibus 17468 CIP 168.1.30 ModbusTCP 17468 EtherCAT 3044:1E _h PROFINET 17468
_EthIPmaskAct1	Currently used IP address subnet mask, byte 1. Byte 1 (x.0.0.0) of the IP address of the subnet mask.	- - - -	UINT16 R/- - -	CANopen 3044:17 _h Modbus 17454 Profibus 17454 CIP 168.1.23 ModbusTCP 17454 EtherCAT 3044:17 _h PROFINET 17454
_EthIPmaskAct2	Currently used IP address subnet mask, byte 2.	- - - -	UINT16 R/- - -	CANopen 3044:18 _h Modbus 17456 Profibus 17456 CIP 168.1.24 ModbusTCP 17456 EtherCAT 3044:18 _h PROFINET 17456

Parameter name HMI menu HMI name	Description	Unit Minimum value Factory setting Maximum value	Data type R/W Persistent Expert	Parameter address via fieldbus
_EthIPmaskAct3	Currently used IP address subnet mask, byte 3.	- - - -	UINT16 R/- - -	CANopen 3044:19 _h Modbus 17458 Profibus 17458 CIP 168.1.25 ModbusTCP 17458 EtherCAT 3044:19 _h PROFINET 17458
_EthIPmaskAct4	Currently used IP address subnet mask, byte 4.	- - - -	UINT16 R/- - -	CANopen 3044:1A _h Modbus 17460 Profibus 17460 CIP 168.1.26 ModbusTCP 17460 EtherCAT 3044:1A _h PROFINET 17460
_EthIPmoduleAct1 <i>CONF → CONF - ,PA1</i>	Currently used IP address Ethernet module, byte 1. Byte 1 (x.0.0.0) of the IP address of the Ethernet module.	- 0 0 255	UINT16 R/- - -	CANopen 3044:13 _h Modbus 17446 Profibus 17446 CIP 168.1.19 ModbusTCP 17446 EtherCAT 3044:13 _h PROFINET 17446
_EthIPmoduleAct2 <i>CONF → CONF - ,PA2</i>	Currently used IP address Ethernet module, byte 2.	- 0 0 255	UINT16 R/- - -	CANopen 3044:14 _h Modbus 17448 Profibus 17448 CIP 168.1.20 ModbusTCP 17448 EtherCAT 3044:14 _h PROFINET 17448
_EthIPmoduleAct3 <i>CONF → CONF - ,PA3</i>	Currently used IP address Ethernet module, byte 3.	- 0 0 255	UINT16 R/- - -	CANopen 3044:15 _h Modbus 17450 Profibus 17450 CIP 168.1.21 ModbusTCP 17450 EtherCAT 3044:15 _h PROFINET 17450
_EthIPmoduleAct4 <i>CONF → CONF - ,PA4</i>	Currently used IP address Ethernet module, byte 4.	- 0 0 255	UINT16 R/- - -	CANopen 3044:16 _h Modbus 17452 Profibus 17452 CIP 168.1.22 ModbusTCP 17452 EtherCAT 3044:16 _h PROFINET 17452

Parameter name HMI menu HMI name	Description	Unit Minimum value Factory setting Maximum value	Data type R/W Persistent Expert	Parameter address via fieldbus
_EthMAC1	MAC address Ethernet module, byte 1.	- - - -	UINT16 R/- - -	CANopen 3044:1F _h Modbus 17470 Profibus 17470 CIP 168.1.31 ModbusTCP 17470 EtherCAT 3044:1F _h PROFINET 17470
_EthMAC2	MAC address Ethernet module, byte 2.	- - - -	UINT16 R/- - -	CANopen 3044:20 _h Modbus 17472 Profibus 17472 CIP 168.1.32 ModbusTCP 17472 EtherCAT 3044:20 _h PROFINET 17472
_EthMAC3	MAC address Ethernet module, byte 3.	- - - -	UINT16 R/- - -	CANopen 3044:21 _h Modbus 17474 Profibus 17474 CIP 168.1.33 ModbusTCP 17474 EtherCAT 3044:21 _h PROFINET 17474
_EthMAC4	MAC address Ethernet module, byte 4.	- - - -	UINT16 R/- - -	CANopen 3044:22 _h Modbus 17476 Profibus 17476 CIP 168.1.34 ModbusTCP 17476 EtherCAT 3044:22 _h PROFINET 17476
_EthMAC5	MAC address Ethernet module, byte 5.	- - - -	UINT16 R/- - -	CANopen 3044:23 _h Modbus 17478 Profibus 17478 CIP 168.1.35 ModbusTCP 17478 EtherCAT 3044:23 _h PROFINET 17478
_EthMAC6	MAC address Ethernet module, byte 6.	- - - -	UINT16 R/- - -	CANopen 3044:24 _h Modbus 17480 Profibus 17480 CIP 168.1.36 ModbusTCP 17480 EtherCAT 3044:24 _h PROFINET 17480

Parameter name HMI menu HMI name	Description	Unit Minimum value Factory setting Maximum value	Data type R/W Persistent Expert	Parameter address via fieldbus
_fwNoSlot1	Firmware number of slot 1. Example: PR0912.00 The value is provided as a decimal value: 91200. If no module is installed, the value 0 is returned.	- - - -	UINT32 R/- - -	CANopen 3002:17 _h Modbus 558 Profibus 558 CIP 102.1.23 ModbusTCP 558 EtherCAT 3002:17 _h PROFINET 558
_fwNoSlot2	Firmware number of slot 2. Example: PR0912.00 The value is provided as a decimal value: 91200. If no module is installed, the value 0 is returned.	- - - -	UINT32 R/- - -	CANopen 3002:1C _h Modbus 568 Profibus 568 CIP 102.1.28 ModbusTCP 568 EtherCAT 3002:1C _h PROFINET 568
_fwNoSlot3	Firmware number of slot 3. Example: PR0912.00 The value is provided as a decimal value: 91200. If no module is installed, the value 0 is returned.	- - - -	UINT32 R/- - -	CANopen 3002:21 _h Modbus 578 Profibus 578 CIP 102.1.33 ModbusTCP 578 EtherCAT 3002:21 _h PROFINET 578
_fwNoSlot3Boot	Firmware number of slot 3 (Bootloader). Example: PR0912.00 The value is provided as a decimal value: 91200. If no module is installed, the value 0 is returned.	- - - -	UINT32 R/- - -	CANopen 3002:27 _h Modbus 590 Profibus 590 CIP 102.1.39 ModbusTCP 590 EtherCAT 3002:27 _h PROFINET 590
_fwNoSlot3FPGA	Firmware number of slot 3 (FPGA). Example: PR0912.00 The value is provided as a decimal value: 91200. If no module is installed, the value 0 is returned.	- - - -	UINT32 R/- - -	CANopen 3002:24 _h Modbus 584 Profibus 584 CIP 102.1.36 ModbusTCP 584 EtherCAT 3002:24 _h PROFINET 584
_fwRevSlot1	Firmware revision of slot 1. The version format is XX.YY.ZZ. Part XX.YY is contained in parameter _fwVerSlot1. Part ZZ is used for quality evolution and contained in this parameter. If no module is installed, the value 0 is returned. Example: V01.23.45 The value is provided as a decimal value: 45	- - - -	UINT16 R/- - -	CANopen 3002:19 _h Modbus 562 Profibus 562 CIP 102.1.25 ModbusTCP 562 EtherCAT 3002:19 _h PROFINET 562

Parameter name HMI menu HMI name	Description	Unit Minimum value Factory setting Maximum value	Data type R/W Persistent Expert	Parameter address via fieldbus
_fwRevSlot2	Firmware revision of slot 2. The version format is XX.YY.ZZ. Part XX.YY is contained in parameter _fwVersSlot2. Part ZZ is used for quality evolution and contained in this parameter. If no module is installed, the value 0 is returned. Example: V01.23.45 The value is provided as a decimal value: 45	- - - -	UINT16 R/- - -	CANopen 3002:1E _h Modbus 572 Profibus 572 CIP 102.1.30 ModbusTCP 572 EtherCAT 3002:1E _h PROFINET 572
_fwRevSlot3	Firmware revision of slot 3. The version format is XX.YY.ZZ. Part XX.YY is contained in parameter _fwVerSlot3. Part ZZ is used for quality evolution and contained in this parameter. If no module is installed, the value 0 is returned. Example: V01.23.45 The value is provided as a decimal value: 45	- - - -	UINT16 R/- - -	CANopen 3002:23 _h Modbus 582 Profibus 582 CIP 102.1.35 ModbusTCP 582 EtherCAT 3002:23 _h PROFINET 582
_fwRevSlot3Boot CONF → INF - brEV	Firmware revision of slot 3 (Bootloader). The version format is XX.YY.ZZ.BB. Part XX.YY is contained in parameter _fwVerSlot3Boot. Part ZZ.BB is used for quality evolution and contained in this parameter. If no module is installed, the value 0 is returned. Example: V01.23.45.67 The value is provided as a decimal value: 4567	- - - -	UINT16 R/- - -	CANopen 3002:29 _h Modbus 594 Profibus 594 CIP 102.1.41 ModbusTCP 594 EtherCAT 3002:29 _h PROFINET 594
_fwRevSlot3FPGA A CONF → INF - FrEV	Firmware revision of slot 3 (FPGA). The version format is XX.YY.ZZ. Part XX.YY is contained in parameter _fwVerSlot3FPGA. Part ZZ is used for quality evolution and contained in this parameter. If no module is installed, the value 0 is returned. Example: V01.23.45 The value is provided as a decimal value: 45	- - - -	UINT16 R/- - -	CANopen 3002:26 _h Modbus 588 Profibus 588 CIP 102.1.38 ModbusTCP 588 EtherCAT 3002:26 _h PROFINET 588
_fwVersSlot1	Firmware version of slot 1. The version format is XX.YY.ZZ. Part XX.YY is contained in this parameter. Part ZZ is contained in parameter _fwRevSlot1. If no module is installed, the value 0 is returned. Example: V01.23.45 The value is provided as a decimal value: 123	- - - -	UINT16 R/- - -	CANopen 3002:18 _h Modbus 560 Profibus 560 CIP 102.1.24 ModbusTCP 560 EtherCAT 3002:18 _h PROFINET 560
_fwVersSlot2	Firmware version of slot 2. The version format is XX.YY.ZZ. Part XX.YY is contained in this parameter. Part ZZ is contained in parameter _fwRevSlot2. If no module is installed, the value 0 is returned. Example: V01.23.45 The value is provided as a decimal value: 123	- - - -	UINT16 R/- - -	CANopen 3002:1D _h Modbus 570 Profibus 570 CIP 102.1.29 ModbusTCP 570 EtherCAT 3002:1D _h PROFINET 570

Parameter name HMI menu HMI name	Description	Unit Minimum value Factory setting Maximum value	Data type R/W Persistent Expert	Parameter address via fieldbus
_fwVersSlot3	Firmware version of slot 3. The version format is XX.YY.ZZ. Part XX.YY is contained in this parameter. Part ZZ is contained in parameter _fwRevSlot3. If no module is installed, the value 0 is returned. Example: V01.23.45 The value is provided as a decimal value: 123	- - - -	UINT16 R/- - -	CANopen 3002:22 _h Modbus 580 Profibus 580 CIP 102.1.34 ModbusTCP 580 EtherCAT 3002:22 _h PROFINET 580
_fwVersSlot3Boot <i>C o n F → i n F - b v E r</i>	Firmware version of slot 3 (Bootloader). The version format is XX.YY.ZZ.BB. Part XX.YY is contained in this parameter. Part ZZ.BB is contained in parameter _fwRevSlot3Boot. If no module is installed, the value 0 is returned. Example: V01.23.45.67 The value is provided as a decimal value: 123	- - - -	UINT16 R/- - -	CANopen 3002:28 _h Modbus 592 Profibus 592 CIP 102.1.40 ModbusTCP 592 EtherCAT 3002:28 _h PROFINET 592
_fwVersSlot3FPGA <i>C o n F → i n F - F v E r</i>	Firmware version of slot 3 (FPGA). The version format is XX.YY.ZZ. Part XX.YY is contained in this parameter. Part ZZ is contained in parameter _fwRevSlot3FPGA. If no module is installed, the value 0 is returned. Example: V01.23.45 The value is provided as a decimal value: 123	- - - -	UINT16 R/- - -	CANopen 3002:25 _h Modbus 586 Profibus 586 CIP 102.1.37 ModbusTCP 586 EtherCAT 3002:25 _h PROFINET 586
_GEAR_p_diff	Position deviation in operating mode Electronic Gear. Position deviation between reference position and actual position with the methods "Position Synchronization Without Compensation Movement" and "Position Synchronization With Compensation Movement". A position deviation can be caused by a movement in a blocked direction (parameter GEARdir_enabl) or by a velocity limitation (parameter GEARpos_v_max). Available with firmware version ≥V01.10.	Inc - - -	INT32 R/- - -	CANopen 301F:D _h Modbus 7962 Profibus 7962 CIP 131.1.13 ModbusTCP 7962 EtherCAT 301F:D _h PROFINET 7962
_HMdisREFtoIDX	Distance from switching point to index pulse. Allows you to verify the distance between the index pulse and the switching point and serves as a criterion for determining whether the reference movement with index pulse can be reproduced. The parameter _HMdisREFtoIDX_usr allows you to enter the value in user-defined units. In increments of 0.0001 revolution.	revolution - - -	INT32 R/- - -	CANopen 3028:C _h Modbus 10264 Profibus 10264 CIP 140.1.12 ModbusTCP 10264 EtherCAT 3028:C _h PROFINET 10264
_HMdisREFtoIDX_usr	Distance from switching point to index pulse. Allows you to verify the distance between the index pulse and the switching point and serves as a criterion for determining whether the reference movement with index pulse can be reproduced. Available with firmware version ≥V01.03.	usr_p -2147483648 - 2147483647	INT32 R/- - -	CANopen 3028:F _h Modbus 10270 Profibus 10270 CIP 140.1.15 ModbusTCP 10270 EtherCAT 3028:F _h PROFINET 10270
_hwVersCPU	Hardware version of control board.	- - -	UINT16 R/- - -	CANopen 3002:12 _h Modbus 548 Profibus 548 CIP 102.1.18 ModbusTCP 548 EtherCAT 3002:12 _h PROFINET 548

Parameter name HMI menu HMI name	Description	Unit Minimum value Factory setting Maximum value	Data type R/W Persistent Expert	Parameter address via fieldbus
_hwVersPS	Hardware version of power stage.	- - - -	UINT16 R/- - -	CANopen 3002:14 _h Modbus 552 Profibus 552 CIP 102.1.20 ModbusTCP 552 EtherCAT 3002:14 _h PROFINET 552
_hwVersSlot1	Hardware version of module in slot 1.	- - - -	UINT16 R/- - -	CANopen 3002:16 _h Modbus 556 Profibus 556 CIP 102.1.22 ModbusTCP 556 EtherCAT 3002:16 _h PROFINET 556
_hwVersSlot2	Hardware version of module in slot 2.	- - - -	UINT16 R/- - -	CANopen 3002:1B _h Modbus 566 Profibus 566 CIP 102.1.27 ModbusTCP 566 EtherCAT 3002:1B _h PROFINET 566
_hwVersSlot3	Hardware version of module in slot 3.	- - - -	UINT16 R/- - -	CANopen 3002:20 _h Modbus 576 Profibus 576 CIP 102.1.32 ModbusTCP 576 EtherCAT 3002:20 _h PROFINET 576
_I_act <i>I_{act}</i>	Total motor current. In increments of 0.01 A _{rms} .	A _{rms} - - -	INT16 R/- - -	CANopen 301E:3 _h Modbus 7686 Profibus 7686 CIP 130.1.3 ModbusTCP 7686 EtherCAT 301E:3 _h PROFINET 7686
_Id_act_rms	Actual motor current (d component, field weakening). In increments of 0.01 A _{rms} .	A _{rms} - - -	INT16 R/- - -	CANopen 301E:2 _h Modbus 7684 Profibus 7684 CIP 130.1.2 ModbusTCP 7684 EtherCAT 301E:2 _h PROFINET 7684
_Id_ref_rms	Reference motor current (d component, field weakening). In increments of 0.01 A _{rms} .	A _{rms} - - -	INT16 R/- - -	CANopen 301E:11 _h Modbus 7714 Profibus 7714 CIP 130.1.17 ModbusTCP 7714 EtherCAT 301E:11 _h PROFINET 7714

Parameter name HMI menu HMI name	Description	Unit Minimum value Factory setting Maximum value	Data type R/W Persistent Expert	Parameter address via fieldbus
_Imax_act	Currently effective current limitation. Value of the currently effective current limitation. This is one of the following values (whichever is lowest): - CTRL_I_max (only during normal operation) - LIM_I_maxQSTP (only during Quick Stop) - LIM_I_maxHalt (only during Halt) - Current limitation via digital input - _M_I_max (only if motor is connected) - _PS_I_max Limitations caused by I2t monitoring are also taken into account. In increments of 0.01 A _{rms} .	A _{rms} - - -	UINT16 R/- - -	CANopen 301C:28 _h Modbus 7248 Profibus 7248 CIP 128.1.40 ModbusTCP 7248 EtherCAT 301C:28 _h PROFINET 7248
_Imax_system	Current limitation of the system. This parameter specifies the maximum system current. This is the lower value of the maximum motor current and the maximum power stage current. If no motor is connected, only the maximum power stage current is taken into account in this parameter. In increments of 0.01 A _{rms} .	A _{rms} - - -	UINT16 R/- - -	CANopen 301C:27 _h Modbus 7246 Profibus 7246 CIP 128.1.39 ModbusTCP 7246 EtherCAT 301C:27 _h PROFINET 7246
_Inc_ENC2Raw	Raw increment value of encoder 2. This parameter is only needed for commissioning of encoder 2 in case of an unknown machine encoder resolution. Available with firmware version ≥V01.01.	Enclnc - - -	INT32 R/- - -	CANopen 301E:25 _h Modbus 7754 Profibus 7754 CIP 130.1.37 ModbusTCP 7754 EtherCAT 301E:25 _h PROFINET 7754
_InvalidParam	Modbus address of parameter with invalid value. If a configuration error is detected, the Modbus address of the parameter with an invalid value is indicated here.	- - 0 -	UINT16 R/- - -	CANopen 301C:6 _h Modbus 7180 Profibus 7180 CIP 128.1.6 ModbusTCP 7180 EtherCAT 301C:6 _h PROFINET 7180
_IO_act	Physical status of the digital inputs and outputs. Low byte: Bit 0: DI0 Bit 1: DI1 Bit 2: DI2 Bit 3: DI3 Bit 4: DI4 Bit 5: DI5 High byte: Bit 8: DQ0 Bit 9: DQ1 Bit 10: DQ2	- - - -	UINT16 R/- - -	CANopen 3008:1 _h Modbus 2050 Profibus 2050 CIP 108.1.1 ModbusTCP 2050 EtherCAT 3008:1 _h PROFINET 2050
_IO_DI_act П о н д , П о	Status of digital inputs. Bit assignments: Bit 0: DI0 Bit 1: DI1 Bit 2: DI2 Bit 3: DI3 Bit 4: DI4 Bit 5: DI5	- - - -	UINT16 R/- - -	CANopen 3008:F _h Modbus 2078 Profibus 2078 CIP 108.1.15 ModbusTCP 2078 EtherCAT 3008:F _h PROFINET 2078

Parameter name HMI menu HMI name	Description	Unit Minimum value Factory setting Maximum value	Data type R/W Persistent Expert	Parameter address via fieldbus
<u>_IO_DQ_act</u> <i>П о н д о н о</i>	Status of digital outputs. Bit assignments: Bit 0: DQ0 Bit 1: DQ1 Bit 2: DQ2	- - - -	UINT16 R/- - -	CANopen 3008:10 _h Modbus 2080 Profibus 2080 CIP 108.1.16 ModbusTCP 2080 EtherCAT 3008:10 _h PROFINET 2080
<u>_IO_STO_act</u> <i>П о н S t o</i>	Status of the inputs for the safety-related function STO. Bit 0: STO_A Bit 1: STO_B If no safety module eSM is plugged in, this parameter indicates the status of the signal inputs STO_A and STO_B. If a safety module eSM is plugged in, the safety function STO can be triggered via the signal inputs or via the safety module eSM. This parameter indicates whether or not the safety function STO was triggered (regardless of whether it was triggered via the signal inputs or via the safety module eSM).	- - - -	UINT16 R/- - -	CANopen 3008:26 _h Modbus 2124 Profibus 2124 CIP 108.1.38 ModbusTCP 2124 EtherCAT 3008:26 _h PROFINET 2124
<u>_IOdataMtoS01</u>	I/O parameter data Master to Slave - parameter 01. Data of the cyclic communication between the master and slave. This parameter contains the data of the first parameter mapped from the master to the slave. The parameters <u>_IOdataMtoS02</u> to <u>_IOdataMtoS16</u> contain the data of the remaining mapped parameters.	- 0 FFFFFFFF hex 4294967295	UINT32 R/- - -	CANopen 3040:1 _h Modbus 16386 Profibus 16386 CIP 164.1.1 ModbusTCP 16386 EtherCAT 3040:1 _h PROFINET 16386
<u>_IOdataStoM01</u>	I/O parameter data Slave to Master - parameter 01. Data of the cyclic communication between the master and slave. This parameter contains the data of the first parameter mapped from the slave to the master. The parameters <u>_IOdataStoM02</u> to <u>_IOdataStoM16</u> contain the data of the remaining mapped parameters.	- 0 FFFFFFFF hex 4294967295	UINT32 R/- - -	CANopen 3040:21 _h Modbus 16450 Profibus 16450 CIP 164.1.33 ModbusTCP 16450 EtherCAT 3040:21 _h PROFINET 16450
<u>_IOM1_AI11_act</u> <i>П о н R n 1 1</i>	IOM1 Value of input voltage of AI11. Available with firmware version ≥V01.06.	mV -10000 - 10000	INT16 R/- - -	CANopen 304F:1 _h Modbus 20226 Profibus 20226 CIP 179.1.1 ModbusTCP 20226 EtherCAT 304F:1 _h PROFINET 20226
<u>_IOM1_AI12_act</u> <i>П о н R n 1 2</i>	IOM1 Value of input voltage of AI12. Available with firmware version ≥V01.06.	mV -10000 - 10000	INT16 R/- - -	CANopen 304F:5 _h Modbus 20234 Profibus 20234 CIP 179.1.5 ModbusTCP 20234 EtherCAT 304F:5 _h PROFINET 20234

Parameter name HMI menu HMI name	Description	Unit Minimum value Factory setting Maximum value	Data type R/W Persistent Expert	Parameter address via fieldbus
<u>IOM1_AQ11_ref</u> <i>П а н</i> <i>Р а 1 1</i>	IOM1 Value of AQ11. Unit depends on setting in parameter IOM1_AQ_mode. If setting is 'Voltage': Unit: mV If setting is 'Current': Unit: μ A Available with firmware version \geq V01.06.	- -10000 - 20000	INT16 R/- - -	CANopen 304F:27 _h Modbus 20302 Profibus 20302 CIP 179.1.39 ModbusTCP 20302 EtherCAT 304F:27 _h PROFINET 20302
<u>IOM1_AQ12_ref</u> <i>П а н</i> <i>Р а 1 2</i>	IOM1 Value of AQ12. Unit depends on setting in parameter IOM1_AQ_mode. If setting is 'Voltage': Unit: mV If setting is 'Current': Unit: μ A Available with firmware version \geq V01.06.	- -10000 - 20000	INT16 R/- - -	CANopen 304F:31 _h Modbus 20322 Profibus 20322 CIP 179.1.49 ModbusTCP 20322 EtherCAT 304F:31 _h PROFINET 20322
<u>IOM1_DI_act</u> <i>П а н</i> <i>д , 1 X</i>	IOM1 Status of digital inputs. Bit assignments: Bit 0: DI10 Bit 1: DI11 Bit 2: DI12 Bit 3: DI13 Available with firmware version \geq V01.06.	- - - -	UINT16 R/- - -	CANopen 304F:35 _h Modbus 20330 Profibus 20330 CIP 179.1.53 ModbusTCP 20330 EtherCAT 304F:35 _h PROFINET 20330
<u>IOM1_DQ_act</u> <i>П а н</i> <i>д о 1 X</i>	IOM1 Status of digital outputs. Bit assignments: Bit 0: DQ10 Bit 1: DQ11 Available with firmware version \geq V01.06.	- - - -	UINT16 R/- - -	CANopen 304F:36 _h Modbus 20332 Profibus 20332 CIP 179.1.54 ModbusTCP 20332 EtherCAT 304F:36 _h PROFINET 20332
<u>IOMappingMtoS</u> 01	I/O parameter mapping Master to Slave - parameter 01. Mapping of the cyclic communication between the master and slave. This parameter contains the mapping of the first parameter mapped from the master to the slave. The parameters <u>IOMappingMtoS02</u> to <u>IOMappingMtoS16</u> contain the mapping of the remaining mapped parameters.	- 0 FFFF hex 65535	UINT16 R/- - -	CANopen 3040:11 _h Modbus 16418 Profibus 16418 CIP 164.1.17 ModbusTCP 16418 EtherCAT 3040:11 _h PROFINET 16418
<u>IOMappingStoM</u> 01	I/O parameter mapping Slave to Master - parameter 01. Mapping of the cyclic communication between the master and slave. This parameter contains the mapping of the first parameter mapped from the slave to the master. The parameters <u>IOMappingStoM02</u> to <u>IOMappingStoM16</u> contain the mapping of the remaining mapped parameters.	- 0 FFFF hex 65535	UINT16 R/- - -	CANopen 3040:31 _h Modbus 16482 Profibus 16482 CIP 164.1.49 ModbusTCP 16482 EtherCAT 3040:31 _h PROFINET 16482

Parameter name HMI menu HMI name	Description	Unit Minimum value Factory setting Maximum value	Data type R/W Persistent Expert	Parameter address via fieldbus
_IPAddressAct1 C o n F → C o n - P A 1	Currently used IP address, byte 1. Byte 1 (x.0.0.0) of the IP address. Available with firmware version ≥V01.26.	- 0 0 255	UINT16 R/- - -	CANopen 303E:4 _h Modbus 15880 Profibus 15880 CIP 162.1.4 ModbusTCP 15880 EtherCAT 303E:4 _h PROFINET 15880
_IPAddressAct2 C o n F → C o n - P A 2	Currently used IP address, byte 2. Byte 2 (0.x.0.0) of the IP address. Available with firmware version ≥V01.26.	- 0 0 255	UINT16 R/- - -	CANopen 303E:5 _h Modbus 15882 Profibus 15882 CIP 162.1.5 ModbusTCP 15882 EtherCAT 303E:5 _h PROFINET 15882
_IPAddressAct3 C o n F → C o n - P A 3	Currently used IP address, byte 3. Byte 3 (0.0.x.0) of the IP address. Available with firmware version ≥V01.26.	- 0 0 255	UINT16 R/- - -	CANopen 303E:6 _h Modbus 15884 Profibus 15884 CIP 162.1.6 ModbusTCP 15884 EtherCAT 303E:6 _h PROFINET 15884
_IPAddressAct4 C o n F → C o n - P A 4	Currently used IP address, byte 4. Byte 4 (0.0.0.x) of the IP address. Available with firmware version ≥V01.26.	- 0 0 255	UINT16 R/- - -	CANopen 303E:7 _h Modbus 15886 Profibus 15886 CIP 162.1.7 ModbusTCP 15886 EtherCAT 303E:7 _h PROFINET 15886
_IPgateAct1	Currently used IP address gateway, byte 1. Byte 1 (x.0.0.0) of the IP address of the gateway. Available with firmware version ≥V01.26.	- 0 0 255	UINT16 R/- - -	CANopen 303E:C _h Modbus 15896 Profibus 15896 CIP 162.1.12 ModbusTCP 15896 EtherCAT 303E:C _h PROFINET 15896
_IPgateAct2	Currently used IP address gateway, byte 2. Byte 2 (0.x.0.0) of the IP address of the gateway. Available with firmware version ≥V01.26.	- 0 0 255	UINT16 R/- - -	CANopen 303E:D _h Modbus 15898 Profibus 15898 CIP 162.1.13 ModbusTCP 15898 EtherCAT 303E:D _h PROFINET 15898
_IPgateAct3	Currently used IP address gateway, byte 3. Byte 3 (0.0.x.0) of the IP address of the gateway. Available with firmware version ≥V01.26.	- 0 0 255	UINT16 R/- - -	CANopen 303E:E _h Modbus 15900 Profibus 15900 CIP 162.1.14 ModbusTCP 15900 EtherCAT 303E:E _h PROFINET 15900

Parameter name HMI menu HMI name	Description	Unit Minimum value Factory setting Maximum value	Data type R/W Persistent Expert	Parameter address via fieldbus
_IPgateAct4	Currently used IP address gateway, byte 4. Byte 4 (0.0.0.x) of the IP address of the gateway. Available with firmware version \geq V01.26.	- 0 0 255	UINT16 R/- - -	CANopen 303E:F _h Modbus 15902 Profibus 15902 CIP 162.1.15 ModbusTCP 15902 EtherCAT 303E:F _h PROFINET 15902
_IPmaskAct1	Currently used IP address subnet mask, byte 1. Byte 1 (x.0.0.0) of the IP address of the subnet mask. Available with firmware version \geq V01.26.	- 0 0 255	UINT16 R/- - -	CANopen 303E:8 _h Modbus 15888 Profibus 15888 CIP 162.1.8 ModbusTCP 15888 EtherCAT 303E:8 _h PROFINET 15888
_IPmaskAct2	Currently used IP address subnet mask, byte 2. Byte 2 (0.x.0.0) of the IP address of the subnet mask. Available with firmware version \geq V01.26.	- 0 0 255	UINT16 R/- - -	CANopen 303E:9 _h Modbus 15890 Profibus 15890 CIP 162.1.9 ModbusTCP 15890 EtherCAT 303E:9 _h PROFINET 15890
_IPmaskAct3	Currently used IP address subnet mask, byte 3. Byte 3 (0.0.x.0) of the IP address of the subnet mask. Available with firmware version \geq V01.26.	- 0 0 255	UINT16 R/- - -	CANopen 303E:A _h Modbus 15892 Profibus 15892 CIP 162.1.10 ModbusTCP 15892 EtherCAT 303E:A _h PROFINET 15892
_IPmaskAct4	Currently used IP address subnet mask, byte 4. Byte 4 (0.0.0.x) of the IP address of the subnet mask. Available with firmware version \geq V01.26.	- 0 0 255	UINT16 R/- - -	CANopen 303E:B _h Modbus 15894 Profibus 15894 CIP 162.1.11 ModbusTCP 15894 EtherCAT 303E:B _h PROFINET 15894
_Iq_act_rms П о н q R c t	Actual motor current (q component, generating torque). In increments of 0.01 A _{rms} .	A _{rms} - - -	INT16 R/- - -	CANopen 301E:1 _h Modbus 7682 Profibus 7682 CIP 130.1.1 ModbusTCP 7682 EtherCAT 301E:1 _h PROFINET 7682
_Iq_ref_rms П о н q r e f	Reference motor current (q component, generating torque). In increments of 0.01 A _{rms} .	A _{rms} - - -	INT16 R/- - -	CANopen 301E:10 _h Modbus 7712 Profibus 7712 CIP 130.1.16 ModbusTCP 7712 EtherCAT 301E:10 _h PROFINET 7712

Parameter name HMI menu HMI name	Description	Unit Minimum value Factory setting Maximum value	Data type R/W Persistent Expert	Parameter address via fieldbus
<u>LastError</u> <u>П о н</u> <u>L F L E</u>	Detected error causing a stop (error classes 1 to 4). Error code of the most recent detected error. Consecutive detected errors do not overwrite this error code. Example: If an error response to a detected limit switch error causes overvoltage, this parameter contains the code of the detected limit switch error. Exception: Detected errors of error class 4 overwrite existing entries.	- - - -	UINT16 R/- - -	CANopen 603F:0 _h Modbus 7178 Profibus 7178 CIP 128.1.5 ModbusTCP 7178 EtherCAT 603F:0 _h PROFINET 7178
<u>LastError_Qua</u> <u>l</u>	Additional info on most recent error. This parameter contains additional information on the most recent detected error, depending on the error code. For example: a parameter address.	- - 0 -	UINT16 R/- - -	CANopen 301C:1F _h Modbus 7230 Profibus 7230 CIP 128.1.31 ModbusTCP 7230 EtherCAT 301C:1F _h PROFINET 7230
<u>LastWarning</u> <u>П о н</u> <u>L W r n</u>	Code of most recent error of error class 0. If the error is no longer active, the code is stored until the next Fault Reset. Value 0: No error of error class 0	- - - -	UINT16 R/- - -	CANopen 301C:9 _h Modbus 7186 Profibus 7186 CIP 128.1.9 ModbusTCP 7186 EtherCAT 301C:9 _h PROFINET 7186
<u>M_BRK_T_apply</u>	Holding brake application time.	ms - - -	UINT16 R/- - -	CANopen 300D:21 _h Modbus 3394 Profibus 3394 CIP 113.1.33 ModbusTCP 3394 EtherCAT 300D:21 _h PROFINET 3394
<u>M_BRK_T_relea</u> <u>se</u>	Holding brake release time.	ms - - -	UINT16 R/- - -	CANopen 300D:22 _h Modbus 3396 Profibus 3396 CIP 113.1.34 ModbusTCP 3396 EtherCAT 300D:22 _h PROFINET 3396
<u>M_Enc_Cosine</u>	Voltage of cosine signal of encoder. In increments of 0.001 V. Available with firmware version \geq V01.26.	V - - -	INT16 R/- - -	CANopen 301C:2B _h Modbus 7254 Profibus 7254 CIP 128.1.43 ModbusTCP 7254 EtherCAT 301C:2B _h PROFINET 7254
<u>M_Enc_Sine</u>	Voltage of sine signal of encoder. In increments of 0.001 V. Available with firmware version \geq V01.26.	V - - -	INT16 R/- - -	CANopen 301C:2C _h Modbus 7256 Profibus 7256 CIP 128.1.44 ModbusTCP 7256 EtherCAT 301C:2C _h PROFINET 7256

Parameter name HMI menu HMI name	Description	Unit Minimum value Factory setting Maximum value	Data type R/W Persistent Expert	Parameter address via fieldbus
<u>M_</u> Encoder CONF → INF - SENS	Type of motor encoder. 1 / SinCos With HiFa / SWH : SinCos with Hiperface 2 / SinCos Without HiFa / SWOH : SinCos without Hiperface 3 / SinCos With Hall / SWHR : SinCos with Hall 4 / SinCos With EnDat / SWEN : SinCos with EnDat 5 / EnDat Without SinCos / ENDR : EnDat without SinCos 6 / Resolver / RESO : Resolver 7 / Hall / HALL : Hall (not supported yet) 8 / BISS / BISS : BISS High byte: Value 0: Rotary encoder Value 1: Linear encoder	- - - -	UINT16 R/- - -	CANopen 300D:3 _h Modbus 3334 Profibus 3334 CIP 113.1.3 ModbusTCP 3334 EtherCAT 300D:3 _h PROFINET 3334
<u>M_</u> HoldingBrake	Holding brake identification. Value 0: Motor without holding brake Value 1: Motor with holding brake	- - - -	UINT16 R/- - -	CANopen 300D:20 _h Modbus 3392 Profibus 3392 CIP 113.1.32 ModbusTCP 3392 EtherCAT 300D:20 _h PROFINET 3392
<u>M_</u> I_0	Continuous stall current of motor. In increments of 0.01 A _{rms} .	A _{rms} - - -	UINT16 R/- - -	CANopen 300D:13 _h Modbus 3366 Profibus 3366 CIP 113.1.19 ModbusTCP 3366 EtherCAT 300D:13 _h PROFINET 3366
<u>M_</u> I_max CONF → INF - PIPA	Maximum current of motor. In increments of 0.01 A _{rms} .	A _{rms} - - -	UINT16 R/- - -	CANopen 300D:6 _h Modbus 3340 Profibus 3340 CIP 113.1.6 ModbusTCP 3340 EtherCAT 300D:6 _h PROFINET 3340
<u>M_</u> I_nom CONF → INF - PIPO	Nominal current of motor. In increments of 0.01 A _{rms} .	A _{rms} - - -	UINT16 R/- - -	CANopen 300D:7 _h Modbus 3342 Profibus 3342 CIP 113.1.7 ModbusTCP 3342 EtherCAT 300D:7 _h PROFINET 3342
<u>M_</u> I2t	Maximum permissible time for maximum current of motor.	ms - - -	UINT16 R/- - -	CANopen 300D:11 _h Modbus 3362 Profibus 3362 CIP 113.1.17 ModbusTCP 3362 EtherCAT 300D:11 _h PROFINET 3362
<u>M_</u> Jrot	Moment of inertia of motor. Units: Rotary motors: kgcm ² Linear motors: kg In increments of 0.001 motor_f.	motor_f - - -	UINT32 R/- - -	CANopen 300D:C _h Modbus 3352 Profibus 3352 CIP 113.1.12 ModbusTCP 3352 EtherCAT 300D:C _h PROFINET 3352

Parameter name HMI menu HMI name	Description	Unit Minimum value Factory setting Maximum value	Data type R/W Persistent Expert	Parameter address via fieldbus
_M_kE	Voltage constant kE of motor. Voltage constant in Vrms at 1000 RPM. Units: Rotary motors: Vrms/RPM Linear motors: Vrms/(m/s) In increments of 0.1 motor_u.	motor_u - - -	UINT32 R/- - -	CANopen 300D:B _h Modbus 3350 Profibus 3350 CIP 113.1.11 ModbusTCP 3350 EtherCAT 300D:B _h PROFINET 3350
_M_L_d	Inductance d component of motor. In increments of 0.01 mH.	mH - - -	UINT16 R/- - -	CANopen 300D:F _h Modbus 3358 Profibus 3358 CIP 113.1.15 ModbusTCP 3358 EtherCAT 300D:F _h PROFINET 3358
_M_L_q	Inductance q component of motor. In increments of 0.01 mH.	mH - - -	UINT16 R/- - -	CANopen 300D:E _h Modbus 3356 Profibus 3356 CIP 113.1.14 ModbusTCP 3356 EtherCAT 300D:E _h PROFINET 3356
_M_load Π ο η L d F η	Load of motor.	% - - -	INT16 R/- - -	CANopen 301C:1A _h Modbus 7220 Profibus 7220 CIP 128.1.26 ModbusTCP 7220 EtherCAT 301C:1A _h PROFINET 7220
_M_M_0	Continuous stall torque of motor. A value of 100 % in operating mode Profile Torque corresponds to this parameter. Units: Rotary motors: Ncm Linear motors: N	motor_m - - -	UINT16 R/- - -	CANopen 300D:16 _h Modbus 3372 Profibus 3372 CIP 113.1.22 ModbusTCP 3372 EtherCAT 300D:16 _h PROFINET 3372
_M_M_max	Maximum torque of motor. In increments of 0.1 Nm.	Nm - - -	UINT16 R/- - -	CANopen 300D:9 _h Modbus 3346 Profibus 3346 CIP 113.1.9 ModbusTCP 3346 EtherCAT 300D:9 _h PROFINET 3346
_M_M_nom	Nominal torque/force of motor. Units: Rotary motors: Ncm Linear motors: N	motor_m - - -	UINT16 R/- - -	CANopen 300D:8 _h Modbus 3344 Profibus 3344 CIP 113.1.8 ModbusTCP 3344 EtherCAT 300D:8 _h PROFINET 3344

Parameter name HMI menu HMI name	Description	Unit Minimum value Factory setting Maximum value	Data type R/W Persistent Expert	Parameter address via fieldbus
<u>M_max</u> overload	Maximum value of overload of motor. Maximum overload of motor during the last 10 seconds.	% - - -	INT16 R/- - -	CANopen 301C:1B _h Modbus 7222 Profibus 7222 CIP 128.1.27 ModbusTCP 7222 EtherCAT 301C:1B _h PROFINET 7222
<u>M_n_max</u> C o n F → i n F - П o П P	Maximum permissible speed of rotation/velocity of motor. Units: Rotary motors: RPM Linear motors: mm/s	motor_v - - -	UINT16 R/- - -	CANopen 300D:4 _h Modbus 3336 Profibus 3336 CIP 113.1.4 ModbusTCP 3336 EtherCAT 300D:4 _h PROFINET 3336
<u>M_n_nom</u>	Nominal speed of rotation/velocity of motor. Units: Rotary motors: RPM Linear motors: mm/s	motor_v - - -	UINT16 R/- - -	CANopen 300D:5 _h Modbus 3338 Profibus 3338 CIP 113.1.5 ModbusTCP 3338 EtherCAT 300D:5 _h PROFINET 3338
<u>M_overload</u>	Overload of motor (I2t).	% - - -	INT16 R/- - -	CANopen 301C:19 _h Modbus 7218 Profibus 7218 CIP 128.1.25 ModbusTCP 7218 EtherCAT 301C:19 _h PROFINET 7218
<u>M_Polepair</u>	Number of pole pairs of motor.	- - - -	UINT16 R/- - -	CANopen 300D:14 _h Modbus 3368 Profibus 3368 CIP 113.1.20 ModbusTCP 3368 EtherCAT 300D:14 _h PROFINET 3368
<u>M_PolePairPitch</u>	Pole pair pitch of motor. In increments of 0.01 mm. Available with firmware version ≥V01.01.	mm - - -	UINT16 R/- - -	CANopen 300D:23 _h Modbus 3398 Profibus 3398 CIP 113.1.35 ModbusTCP 3398 EtherCAT 300D:23 _h PROFINET 3398
<u>M_R_UV</u>	Winding resistance of motor. In increments of 0.01 Ω.	Ω - - -	UINT16 R/- - -	CANopen 300D:D _h Modbus 3354 Profibus 3354 CIP 113.1.13 ModbusTCP 3354 EtherCAT 300D:D _h PROFINET 3354

Parameter name HMI menu HMI name	Description	Unit Minimum value Factory setting Maximum value	Data type R/W Persistent Expert	Parameter address via fieldbus
<code>_M_T_current</code> <i>Π α ν ε Π α ε</i>	Temperature of motor.	°C - - -	INT16 R/- - -	CANopen 301C:11 _h Modbus 7202 Profibus 7202 CIP 128.1.17 ModbusTCP 7202 EtherCAT 301C:11 _h PROFINET 7202
<code>_M_T_max</code>	Maximum temperature of motor.	°C - - -	INT16 R/- - -	CANopen 300D:10 _h Modbus 3360 Profibus 3360 CIP 113.1.16 ModbusTCP 3360 EtherCAT 300D:10 _h PROFINET 3360
<code>_M_Type</code> <i>Ε ο ν F → ι ο ν F - Π ε υ Ρ</i>	Motor type. Value 0: No motor selected Value >0: Connected motor type	- - - -	UINT32 R/- - -	CANopen 300D:2 _h Modbus 3332 Profibus 3332 CIP 113.1.2 ModbusTCP 3332 EtherCAT 300D:2 _h PROFINET 3332
<code>_M_U_max</code>	Maximum voltage of motor. In increments of 0.1 V.	V - - -	UINT16 R/- - -	CANopen 300D:19 _h Modbus 3378 Profibus 3378 CIP 113.1.25 ModbusTCP 3378 EtherCAT 300D:19 _h PROFINET 3378
<code>_M_U_nom</code>	Nominal voltage of motor. In increments of 0.1 V.	V - - -	UINT16 R/- - -	CANopen 300D:A _h Modbus 3348 Profibus 3348 CIP 113.1.10 ModbusTCP 3348 EtherCAT 300D:A _h PROFINET 3348
<code>_ManuSdoAbort</code>	CANopen manufacturer-specific SDO abort code. Provides more detailed information on a general SDO abort code (0800 0000).	- - - -	UINT16 R/- - -	CANopen 3041:A _h Modbus 16660 Profibus 16660 CIP 165.1.10 ModbusTCP 16660 EtherCAT 3041:A _h PROFINET 16660
<code>_ModeError</code>	Error code for detected synchronous errors (ME bit). Drive Profile Lexium: Manufacturer-specific error code that caused the ModeError bit to be set. Usually, this is an error that was detected as a result of the activation of an operating mode. The ModeError bit relates to MT-dependent parameters.	- - - -	UINT16 R/- - -	CANopen 301B:19 _h Modbus 6962 Profibus 6962 CIP 127.1.25 ModbusTCP 6962 EtherCAT 301B:19 _h PROFINET 6962

Parameter name HMI menu HMI name	Description	Unit Minimum value Factory setting Maximum value	Data type R/W Persistent Expert	Parameter address via fieldbus
_ModeErrorInfo	Additional error information of a detected ModeError (ME bit). Drive Profile Lexium: Indicates the parameter of the mapping that caused the ME bit to be set. The ME bit is set if MT-dependent parameters of the active mapping cause an error in connection with a write command. Example: 1 = First mapped parameter 2 = Second mapped parameter etc.	- - - -	UINT16 R/- - -	CANopen 301B:1C _h Modbus 6968 Profibus 6968 CIP 127.1.28 ModbusTCP 6968 EtherCAT 301B:1C _h PROFINET 6968
_ModuleSlot1	Module in slot 1. 0 / None: No module 1025 / eSM: Safety module eSM 1281 / IOM_1: IO module IOM1	- - -	UINT16 R/- - -	CANopen 3002:15 _h Modbus 554 Profibus 554 CIP 102.1.21 ModbusTCP 554 EtherCAT 3002:15 _h PROFINET 554
_ModuleSlot2	Module in slot 2. 0 / None: No module 769 / Encoder ANA: Encoder module ANA 770 / Encoder DIG: Encoder module DIG 771 / Encoder RSR: Encoder module RSR	- - -	UINT16 R/- - -	CANopen 3002:1A _h Modbus 564 Profibus 564 CIP 102.1.26 ModbusTCP 564 EtherCAT 3002:1A _h PROFINET 564
_ModuleSlot3	Module in slot 3. 0 / None: No module 513 / CANopen (D-SUB): Fieldbus CANopen (D-SUB) 514 / CANopen (RJ45): Fieldbus CANopen (RJ45) 515 / DeviceNet (Open-Style): Fieldbus DeviceNet (Open-Style) 517 / CANopen (Open-Style): Fieldbus CANopen (Open-Style) 528 / ProfibusDP: Fieldbus Profibus DP 529 / EtherNetIP: Fieldbus EtherNetIP 530 / EtherCAT: Fieldbus EtherCAT 531 / SercosII: Fieldbus Sercos II 532 / PROFINET: Fieldbus PROFINET 533 / SercosIII: Fieldbus Sercos III	- - - -	UINT16 R/- - -	CANopen 3002:1F _h Modbus 574 Profibus 574 CIP 102.1.31 ModbusTCP 574 EtherCAT 3002:1F _h PROFINET 574
_MSM_avail_ds	Number of available data sets. Number of data sets that are available. Modified settings become active immediately.	- - - -	UINT16 R/- - -	CANopen 302D:F _h Modbus 11550 Profibus 11550 CIP 145.1.15 ModbusTCP 11550 EtherCAT 302D:F _h PROFINET 11550

Parameter name HMI menu HMI name	Description	Unit Minimum value Factory setting Maximum value	Data type R/W Persistent Expert	Parameter address via fieldbus
_MSM_error_field	Field of the data set in which an error has been detected. Value -1: No error Value 0: Data set type Value 1: Setting A Value 2: Setting B Value 3: Setting C Value 4: Setting D Value 5: Transition type Value 6: Subsequent data set Value 7: Transition condition 1 Value 8: Transition value 1 Value 9: Logical operator Value 10: Transition condition 2 Value 11: Transition value 2 Modified settings become active immediately. Available with firmware version \geq V01.09.	- -1 -1 11	INT16 R/- - -	CANopen 302D:E _h Modbus 11548 Profibus 11548 CIP 145.1.14 ModbusTCP 11548 EtherCAT 302D:E _h PROFINET 11548
_MSM_error_num	Number of the data set in which an error has been detected. Value -1: No error Values 0 ... 127: Number of the data set in which an error has been detected. Modified settings become active immediately. Available with firmware version \geq V01.09.	- -1 -1 127	INT16 R/- - -	CANopen 302D:D _h Modbus 11546 Profibus 11546 CIP 145.1.13 ModbusTCP 11546 EtherCAT 302D:D _h PROFINET 11546
_MSM_used_data_sets	Number of data sets used. Any data set whose data set type is not equal to 'None' is counted as a used data set. Modified settings become active immediately. Available with firmware version \geq V01.16.	- - - -	UINT16 R/- - -	CANopen 302D:1F _h Modbus 11582 Profibus 11582 CIP 145.1.31 ModbusTCP 11582 EtherCAT 302D:1F _h PROFINET 11582
_MSMactNum	Number of data set being processed. Value -1: Operating mode is inactive or no data set has been triggered Value >0: Number of the data set being processed Modified settings become active immediately.	- -1 -1 127	INT16 R/- - -	CANopen 302D:6 _h Modbus 11532 Profibus 11532 CIP 145.1.6 ModbusTCP 11532 EtherCAT 302D:6 _h PROFINET 11532
_MSMnextNum	Next data set to be triggered. Value -1: Operating mode is inactive or no data set is selected Value >0: Number of the next data set Modified settings become active immediately.	- -1 -1 127	INT16 R/- - -	CANopen 302D:7 _h Modbus 11534 Profibus 11534 CIP 145.1.7 ModbusTCP 11534 EtherCAT 302D:7 _h PROFINET 11534
_MSMNumFinish	Number of data set that was active when a movement was interrupted. When a movement is interrupted, the number of the data set that was being processed at the point in time of the interruption is contained in this parameter. Modified settings become active immediately.	- -1 -1 127	INT16 R/- - -	CANopen 302D:B _h Modbus 11542 Profibus 11542 CIP 145.1.11 ModbusTCP 11542 EtherCAT 302D:B _h PROFINET 11542

Parameter name HMI menu HMI name	Description	Unit Minimum value Factory setting Maximum value	Data type R/W Persistent Expert	Parameter address via fieldbus
<code>_n_act</code> <i>П о н н А с т</i>	Actual speed of rotation.	RPM - - -	INT16 R/- - -	CANopen 301E:8 _h Modbus 7696 Profibus 7696 CIP 130.1.8 ModbusTCP 7696 EtherCAT 301E:8 _h PROFINET 7696
<code>_n_act_ENC1</code>	Actual speed of rotation of encoder 1. Available with firmware version ≥V01.01.	RPM - - -	INT16 R/- - -	CANopen 301E:28 _h Modbus 7760 Profibus 7760 CIP 130.1.40 ModbusTCP 7760 EtherCAT 301E:28 _h PROFINET 7760
<code>_n_act_ENC2</code>	Actual speed of rotation of encoder 2 (module).	RPM - - -	INT16 R/- - -	CANopen 301E:1E _h Modbus 7740 Profibus 7740 CIP 130.1.30 ModbusTCP 7740 EtherCAT 301E:1E _h PROFINET 7740
<code>_n_ref</code> <i>П о н н р Е ф</i>	Reference speed of rotation.	RPM - - -	INT16 R/- - -	CANopen 301E:7 _h Modbus 7694 Profibus 7694 CIP 130.1.7 ModbusTCP 7694 EtherCAT 301E:7 _h PROFINET 7694
<code>_OFSp_act</code>	Actual position of offset movement.	Inc - - -	INT32 R/- - -	CANopen 3027:C _h Modbus 10008 Profibus 10008 CIP 139.1.12 ModbusTCP 10008 EtherCAT 3027:C _h PROFINET 10008
<code>_OpHours</code> <i>П о н о Р h</i>	Operating hours counter.	s - - -	UINT32 R/- - -	CANopen 301C:A _h Modbus 7188 Profibus 7188 CIP 128.1.10 ModbusTCP 7188 EtherCAT 301C:A _h PROFINET 7188
<code>_p_absENC</code> <i>П о н Р А П u</i>	Absolute position with reference to the encoder range. This value corresponds to the modulo position of the absolute encoder range. The value is no longer valid if the gear ratio of machine encoder and motor encoder is changed. A restart is required in such a case.	usr_p - - -	UINT32 R/- - -	CANopen 301E:F _h Modbus 7710 Profibus 7710 CIP 130.1.15 ModbusTCP 7710 EtherCAT 301E:F _h PROFINET 7710
<code>_p_absmodulo</code>	Absolute position with reference to internal resolution in internal units. This value is based on encoder raw position with reference to internal resolution (131072 Inc).	Inc - - -	UINT32 R/- - -	CANopen 301E:E _h Modbus 7708 Profibus 7708 CIP 130.1.14 ModbusTCP 7708 EtherCAT 301E:E _h PROFINET 7708

Parameter name HMI menu HMI name	Description	Unit Minimum value Factory setting Maximum value	Data type R/W Persistent Expert	Parameter address via fieldbus
_p_act	Actual position.	usr_p - - -	INT32 R/- - -	CANopen 6064:0 _h Modbus 7706 Profibus 7706 CIP 130.1.13 ModbusTCP 7706 EtherCAT 6064:0 _h PROFINET 7706
_p_act_ENC1	Actual position of encoder 1. Available with firmware version ≥V01.01.	usr_p - - -	INT32 R/- - -	CANopen 301E:27 _h Modbus 7758 Profibus 7758 CIP 130.1.39 ModbusTCP 7758 EtherCAT 301E:27 _h PROFINET 7758
_p_act_ENC1_int	Actual position of encoder 1 in internal units. Available with firmware version ≥V01.01.	Inc - - -	INT32 R/- - -	CANopen 301E:26 _h Modbus 7756 Profibus 7756 CIP 130.1.38 ModbusTCP 7756 EtherCAT 301E:26 _h PROFINET 7756
_p_act_ENC2	Actual position of encoder 2 (module).	usr_p - - -	INT32 R/- - -	CANopen 301E:1A _h Modbus 7732 Profibus 7732 CIP 130.1.26 ModbusTCP 7732 EtherCAT 301E:1A _h PROFINET 7732
_p_act_ENC2_int	Actual position of encoder 2 (module) in internal units.	Inc - - -	INT32 R/- - -	CANopen 301E:19 _h Modbus 7730 Profibus 7730 CIP 130.1.25 ModbusTCP 7730 EtherCAT 301E:19 _h PROFINET 7730
_p_act_int	Actual position in internal units.	Inc - - -	INT32 R/- - -	CANopen 6063:0 _h Modbus 7700 Profibus 7700 CIP 130.1.10 ModbusTCP 7700 EtherCAT 6063:0 _h PROFINET 7700
_p_addGEAR	Initial position electronic gear. When Electronic Gear is inactive, the reference position for the position controller can be determined here. This position is set when Electronic Gear is activated with the selection of 'Synchronization with compensation movement'.	Inc - - -	INT32 R/- - -	CANopen 301F:3 _h Modbus 7942 Profibus 7942 CIP 131.1.3 ModbusTCP 7942 EtherCAT 301F:3 _h PROFINET 7942

Parameter name HMI menu HMI name	Description	Unit Minimum value Factory setting Maximum value	Data type R/W Persistent Expert	Parameter address via fieldbus
_p_dif	Position deviation including dynamic position deviation. Position deviation is the difference between reference position and actual position. The position deviation consists of the load-dependent position deviation and the dynamic position deviation. The parameter _p_dif_usr allows you to enter the value in user-defined units. In increments of 0.0001 revolution.	revolution -214748.3648 - 214748.3647	INT32 R/- - -	CANopen 60F4:0 _h Modbus 7716 Profibus 7716 CIP 130.1.18 ModbusTCP 7716 EtherCAT 60F4:0 _h PROFINET 7716
_p_dif_load	Load-dependent position deviation between reference and actual positions. The load-dependent position deviation is the difference between the reference position and the actual position caused by the load. This value is used for following error monitoring. The parameter _p_dif_load_usr allows you to enter the value in user-defined units. In increments of 0.0001 revolution.	revolution -214748.3648 - 214748.3647	INT32 R/- - -	CANopen 301E:1C _h Modbus 7736 Profibus 7736 CIP 130.1.28 ModbusTCP 7736 EtherCAT 301E:1C _h PROFINET 7736
_p_dif_load_peak	Maximum value of the load-dependent position deviation. This parameter contains the maximum load-dependent position deviation reached so far. A write access resets this value. The parameter _p_dif_load_peak_usr allows you to enter the value in user-defined units. In increments of 0.0001 revolution. Modified settings become active immediately.	revolution 0.0000 - 429496.7295	UINT32 R/W - -	CANopen 301E:1B _h Modbus 7734 Profibus 7734 CIP 130.1.27 ModbusTCP 7734 EtherCAT 301E:1B _h PROFINET 7734
_p_dif_load_peak_usr	Maximum value of the load-dependent position deviation. This parameter contains the maximum load-dependent position deviation reached so far. A write access resets this value. Modified settings become active immediately. Available with firmware version ≥V01.03.	usr_p 0 - 2147483647	INT32 R/W - -	CANopen 301E:15 _h Modbus 7722 Profibus 7722 CIP 130.1.21 ModbusTCP 7722 EtherCAT 301E:15 _h PROFINET 7722
_p_dif_load_usr	Load-dependent position deviation between reference and actual positions. The load-dependent position deviation is the difference between the reference position and the actual position caused by the load. This value is used for following error monitoring. Available with firmware version ≥V01.03.	usr_p -2147483648 - 2147483647	INT32 R/- - -	CANopen 301E:16 _h Modbus 7724 Profibus 7724 CIP 130.1.22 ModbusTCP 7724 EtherCAT 301E:16 _h PROFINET 7724
_p_dif_usr	Position deviation including dynamic position deviation. Position deviation is the difference between reference position and actual position. The position deviation consists of the load-dependent position deviation and the dynamic position deviation. Available with firmware version ≥V01.03.	usr_p -2147483648 - 2147483647	INT32 R/- - -	CANopen 301E:14 _h Modbus 7720 Profibus 7720 CIP 130.1.20 ModbusTCP 7720 EtherCAT 301E:14 _h PROFINET 7720
_p_DifENC1toENC2	Deviation of encoder positions. Available with firmware version ≥V01.01.	Inc - - -	INT32 R/- - -	CANopen 301E:18 _h Modbus 7728 Profibus 7728 CIP 130.1.24 ModbusTCP 7728 EtherCAT 301E:18 _h PROFINET 7728

Parameter name HMI menu HMI name	Description	Unit Minimum value Factory setting Maximum value	Data type R/W Persistent Expert	Parameter address via fieldbus
_p_PTI_act	Actual position at PTI interface. Counted position increments at PTI interface.	Inc -2147483648 - 2147483647	INT32 R/- - -	CANopen 3008:5 _h Modbus 2058 Profibus 2058 CIP 108.1.5 ModbusTCP 2058 EtherCAT 3008:5 _h PROFINET 2058
_p_ref	Reference position. Value corresponds to the reference position of the position controller.	usr_p - - -	INT32 R/- - -	CANopen 301E:C _h Modbus 7704 Profibus 7704 CIP 130.1.12 ModbusTCP 7704 EtherCAT 301E:C _h PROFINET 7704
_p_ref_int	Reference position in internal units. Value corresponds to the reference position of the position controller.	Inc - - -	INT32 R/- - -	CANopen 301E:9 _h Modbus 7698 Profibus 7698 CIP 130.1.9 ModbusTCP 7698 EtherCAT 301E:9 _h PROFINET 7698
_PAR_ScalingError	Additional information on error detected during recalculation. Coding: Bits 0 ... 15: Address of the parameter that caused the error Bits 16 ... 31: Number of the data set in the operating mode Motion Sequence that caused the error Modified settings become active immediately. Available with firmware version ≥V01.03.	- - - -	UINT32 R/- - -	CANopen 3004:16 _h Modbus 1068 Profibus 1068 CIP 104.1.22 ModbusTCP 1068 EtherCAT 3004:16 _h PROFINET 1068
_PAR_ScalingState	Status of recalculation of the parameters with user-defined units. 0 / Recalculation Active: Recalculation active 1 / Reserved (1): Reserved 2 / Recalculation Finished - No Error: Recalculation finished, no error 3 / Error During Recalculation: Error during recalculation 4 / Initialization Successful: Initialization successful 5 / Reserved (5): Reserved 6 / Reserved (6): Reserved 7 / Reserved (7): Reserved Status of recalculation of the parameters with user-defined units which are recalculated with a changed scaling factor. Modified settings become active immediately. Available with firmware version ≥V01.03.	- 0 2 7	UINT16 R/- - -	CANopen 3004:15 _h Modbus 1066 Profibus 1066 CIP 104.1.21 ModbusTCP 1066 EtherCAT 3004:15 _h PROFINET 1066
_PBbaud CONF → INF - Pbaud	Profibus baud rate. 0 / None / none: No connection 28 / 9.6 kBaud / 9.6: 9.6 kBaud 32 / 19.2 kBaud / 19.2: 19.2 kBaud 42 / 93.75 kBaud / 93.7: 93.75 kBaud 54 / 187.5 kBaud / 187.5: 187.5 kBaud 68 / 500 kBaud / 500: 500 kBaud 80 / 1500 kBaud / 1500: 1500 kBaud 82 / 3000 kBaud / 3000: 3000 kBaud 83 / 6000 kBaud / 6000: 6000 kBaud 88 / 12000 kBaud / 12000: 12000 kBaud	- - - -	UINT16 R/- - -	CANopen 3043:4 _h Modbus 17160 Profibus 17160 CIP 167.1.4 ModbusTCP 17160 EtherCAT 3043:4 _h PROFINET 17160

Parameter name HMI menu HMI name	Description	Unit Minimum value Factory setting Maximum value	Data type R/W Persistent Expert	Parameter address via fieldbus
_PBprofile CONF → INF - PbPr	Profibus drive profile. 0 / None / none : No connection 1 / Profidrive Telegram 1 / Pd_1 : Profidrive standard telegram 1 (not yet supported) 2 / Profidrive Telegram 2 / Pd_2 : Profidrive standard telegram 2 (not yet supported) 7 / Profidrive Telegram 7 / Pd_7 : Profidrive standard telegram 7 (not yet supported) 9 / Profidrive Telegram 9 / Pd_9 : Profidrive standard telegram 9 (not yet supported) 103 / Profidrive Manufact / Pd_11 : Profidrive manufacturer-specific (not yet supported) 104 / Drive Profile Lexium 1 / dPL_1 : Drive Profile Lexium telegram 1 (library) 105 / Drive Profile Lexium 2 / dPL_2 : Drive Profile Lexium telegram 2	- - - -	UINT16 R/- - -	CANopen 3043:3 _h Modbus 17158 Profibus 17158 CIP 167.1.3 ModbusTCP 17158 EtherCAT 3043:3 _h PROFINET 17158
_PntMAC1	MAC address PROFINET module, byte 1.	- - - -	UINT16 R/- - -	CANopen 3048:25 _h Modbus 18506 Profibus 18506 CIP 172.1.37 ModbusTCP 18506 EtherCAT 3048:25 _h PROFINET 18506
_PntMAC2	MAC address PROFINET module, byte 2.	- - - -	UINT16 R/- - -	CANopen 3048:26 _h Modbus 18508 Profibus 18508 CIP 172.1.38 ModbusTCP 18508 EtherCAT 3048:26 _h PROFINET 18508
_PntMAC3	MAC address PROFINET module, byte 3.	- - - -	UINT16 R/- - -	CANopen 3048:27 _h Modbus 18510 Profibus 18510 CIP 172.1.39 ModbusTCP 18510 EtherCAT 3048:27 _h PROFINET 18510
_PntMAC4	MAC address PROFINET module, byte 4.	- - - -	UINT16 R/- - -	CANopen 3048:28 _h Modbus 18512 Profibus 18512 CIP 172.1.40 ModbusTCP 18512 EtherCAT 3048:28 _h PROFINET 18512

Parameter name HMI menu HMI name	Description	Unit Minimum value Factory setting Maximum value	Data type R/W Persistent Expert	Parameter address via fieldbus
_PntMAC5	MAC address PROFINET module, byte 5.	- - - -	UINT16 R/- - -	CANopen 3048:29 _h Modbus 18514 Profibus 18514 CIP 172.1.41 ModbusTCP 18514 EtherCAT 3048:29 _h PROFINET 18514
_PntMAC6	MAC address PROFINET module, byte 6.	- - - -	UINT16 R/- - -	CANopen 3048:2A _h Modbus 18516 Profibus 18516 CIP 172.1.42 ModbusTCP 18516 EtherCAT 3048:2A _h PROFINET 18516
_PntProfile C o n F → i n F - P n P r	PROFINET drive profile. 0 / None / n o n E : No connection 104 / Drive Profile Lexium 1 / d P L 1 : Drive Profile Lexium telegram 1 (library) 105 / Drive Profile Lexium 2 / d P L 2 : Drive Profile Lexium telegram 2	- - - -	UINT16 R/- - -	CANopen 3048:3 _h Modbus 18438 Profibus 18438 CIP 172.1.3 ModbusTCP 18438 EtherCAT 3048:3 _h PROFINET 18438
_PosRegStatus	Status of the position register channels. Signal state: 0: Comparison criterion not met 1: Comparison criterion met Bit assignments: Bit 0: State of position register channel 1 Bit 1: State of position register channel 2 Bit 2: State of position register channel 3 Bit 3: State of position register channel 4	- - - -	UINT16 R/- - -	CANopen 300B:1 _h Modbus 2818 Profibus 2818 CIP 111.1.1 ModbusTCP 2818 EtherCAT 300B:1 _h PROFINET 2818
_Power_act	Output power.	W - - -	INT32 R/- - -	CANopen 301C:D _h Modbus 7194 Profibus 7194 CIP 128.1.13 ModbusTCP 7194 EtherCAT 301C:D _h PROFINET 7194
_Power_mean	Mean output power.	W - - -	UINT16 R/- - -	CANopen 301C:E _h Modbus 7196 Profibus 7196 CIP 128.1.14 ModbusTCP 7196 EtherCAT 301C:E _h PROFINET 7196
_pref_acc	Acceleration of reference value for acceleration feed-forward control. Sign according to the changed velocity value: Increased velocity: Positive sign Reduced velocity: Negative sign	usr_a - - -	INT32 R/- - -	CANopen 301F:9 _h Modbus 7954 Profibus 7954 CIP 131.1.9 ModbusTCP 7954 EtherCAT 301F:9 _h PROFINET 7954

Parameter name HMI menu HMI name	Description	Unit Minimum value Factory setting Maximum value	Data type R/W Persistent Expert	Parameter address via fieldbus
_pref_v	Velocity of reference value for velocity feed-forward control.	usr_v - - -	INT32 R/- - -	CANopen 301F:7 _h Modbus 7950 Profibus 7950 CIP 131.1.7 ModbusTCP 7950 EtherCAT 301F:7 _h PROFINET 7950
_prgNoDEV CONF → INF - Prn	Firmware number of device. Example: PR0912.00 The value is provided as a decimal value: 91200	- - - -	UINT32 R/- - -	CANopen 3001:1 _h Modbus 258 Profibus 258 CIP 101.1.1 ModbusTCP 258 EtherCAT 3001:1 _h PROFINET 258
_prgRevDEV CONF → INF - Prv	Firmware revision of device. The version format is XX.YY.ZZ. Part XX.YY is contained in parameter _prgVerDEV. Part ZZ is used for quality evolution and contained in this parameter. Example: V01.23.45 The value is provided as a decimal value: 45	- - - -	UINT16 R/- - -	CANopen 3001:4 _h Modbus 264 Profibus 264 CIP 101.1.4 ModbusTCP 264 EtherCAT 3001:4 _h PROFINET 264
_prgVerDEV CONF → INF - Prv	Firmware version of device. The version format is XX.YY.ZZ. Part XX.YY is contained in this parameter. Part ZZ is contained in parameter _prgRevDEV. Example: V01.23.45 The value is provided as a decimal value: 123	- - - -	UINT16 R/- - -	CANopen 3001:2 _h Modbus 260 Profibus 260 CIP 101.1.2 ModbusTCP 260 EtherCAT 3001:2 _h PROFINET 260
_PS_I_max CONF → INF - PINA	Maximum current of power stage. In increments of 0.01 A _{rms} .	A _{rms} - - -	UINT16 R/- per. -	CANopen 3010:2 _h Modbus 4100 Profibus 4100 CIP 116.1.2 ModbusTCP 4100 EtherCAT 3010:2 _h PROFINET 4100
_PS_I_nom CONF → INF - Pino	Nominal current of power stage. In increments of 0.01 A _{rms} .	A _{rms} - - -	UINT16 R/- per. -	CANopen 3010:1 _h Modbus 4098 Profibus 4098 CIP 116.1.1 ModbusTCP 4098 EtherCAT 3010:1 _h PROFINET 4098
_PS_load Non LdFP	Load of power stage.	% - - -	INT16 R/- - -	CANopen 301C:17 _h Modbus 7214 Profibus 7214 CIP 128.1.23 ModbusTCP 7214 EtherCAT 301C:17 _h PROFINET 7214
_PS_maxoverload	Maximum value of overload of power stage. Maximum overload of power stage during the last 10 seconds.	% - - -	INT16 R/- - -	CANopen 301C:18 _h Modbus 7216 Profibus 7216 CIP 128.1.24 ModbusTCP 7216 EtherCAT 301C:18 _h PROFINET 7216

Parameter name HMI menu HMI name	Description	Unit Minimum value Factory setting Maximum value	Data type R/W Persistent Expert	Parameter address via fieldbus
_PS_overload	Overload of power stage.	% - - -	INT16 R/- - -	CANopen 301C:24 _h Modbus 7240 Profibus 7240 CIP 128.1.36 ModbusTCP 7240 EtherCAT 301C:24 _h PROFINET 7240
_PS_overload_c te	Overload of power stage (chip temperature).	% - - -	INT16 R/- - -	CANopen 301C:22 _h Modbus 7236 Profibus 7236 CIP 128.1.34 ModbusTCP 7236 EtherCAT 301C:22 _h PROFINET 7236
_PS_overload_I 2t	Overload of power stage (I ² t).	% - - -	INT16 R/- - -	CANopen 301C:16 _h Modbus 7212 Profibus 7212 CIP 128.1.22 ModbusTCP 7212 EtherCAT 301C:16 _h PROFINET 7212
_PS_overload_p sq	Overload of power stage (power squared).	% - - -	INT16 R/- - -	CANopen 301C:23 _h Modbus 7238 Profibus 7238 CIP 128.1.35 ModbusTCP 7238 EtherCAT 301C:23 _h PROFINET 7238
_PS_T_current Non EPS	Temperature of power stage.	°C - - -	INT16 R/- - -	CANopen 301C:10 _h Modbus 7200 Profibus 7200 CIP 128.1.16 ModbusTCP 7200 EtherCAT 301C:10 _h PROFINET 7200
_PS_T_max	Maximum temperature of power stage.	°C - - -	INT16 R/- per. -	CANopen 3010:7 _h Modbus 4110 Profibus 4110 CIP 116.1.7 ModbusTCP 4110 EtherCAT 3010:7 _h PROFINET 4110
_PS_T_warn	Advisory temperature limit of power stage (error class 0).	°C - - -	INT16 R/- per. -	CANopen 3010:6 _h Modbus 4108 Profibus 4108 CIP 116.1.6 ModbusTCP 4108 EtherCAT 3010:6 _h PROFINET 4108

Parameter name HMI menu HMI name	Description	Unit Minimum value Factory setting Maximum value	Data type R/W Persistent Expert	Parameter address via fieldbus
_PS_U_maxDC	Maximum permissible DC bus voltage. In increments of 0.1 V.	V - - -	UINT16 R/ per. -	CANopen 3010:3 _h Modbus 4102 Profibus 4102 CIP 116.1.3 ModbusTCP 4102 EtherCAT 3010:3 _h PROFINET 4102
_PS_U_minDC	Minimum permissible DC bus voltage. In increments of 0.1 V.	V - - -	UINT16 R/ per. -	CANopen 3010:4 _h Modbus 4104 Profibus 4104 CIP 116.1.4 ModbusTCP 4104 EtherCAT 3010:4 _h PROFINET 4104
_PS_U_minStopDC	DC bus voltage low threshold for Quick Stop. If the threshold is reached, the drive performs a Quick Stop. In increments of 0.1 V.	V - - -	UINT16 R/ per. -	CANopen 3010:A _h Modbus 4116 Profibus 4116 CIP 116.1.10 ModbusTCP 4116 EtherCAT 3010:A _h PROFINET 4116
_PT_max_val	Maximum possible value for operating mode Profile Torque. 100.0 % correspond to the continuous stall torque _M_M_0. In increments of 0.1 %.	% - - -	INT16 R/ - -	CANopen 301C:1E _h Modbus 7228 Profibus 7228 CIP 128.1.30 ModbusTCP 7228 EtherCAT 301C:1E _h PROFINET 7228
_RAMP_p_act	Actual position of profile generator.	usr_p - - -	INT32 R/ - -	CANopen 301F:2 _h Modbus 7940 Profibus 7940 CIP 131.1.2 ModbusTCP 7940 EtherCAT 301F:2 _h PROFINET 7940
_RAMP_p_target	Target position of profile generator. Absolute position value of the profile generator, calculated on the basis of the relative and absolute position values received.	usr_p - - -	INT32 R/ - -	CANopen 301F:1 _h Modbus 7938 Profibus 7938 CIP 131.1.1 ModbusTCP 7938 EtherCAT 301F:1 _h PROFINET 7938
_RAMP_v_act	Actual velocity of profile generator.	usr_v - - -	INT32 R/ - -	CANopen 606B:0 _h Modbus 7948 Profibus 7948 CIP 131.1.6 ModbusTCP 7948 EtherCAT 606B:0 _h PROFINET 7948
_RAMP_v_target	Target velocity of profile generator.	usr_v - - -	INT32 R/ - -	CANopen 301F:5 _h Modbus 7946 Profibus 7946 CIP 131.1.5 ModbusTCP 7946 EtherCAT 301F:5 _h PROFINET 7946

Parameter name HMI menu HMI name	Description	Unit Minimum value Factory setting Maximum value	Data type R/W Persistent Expert	Parameter address via fieldbus
_RES_load П о н L d F b	Load of braking resistor. The braking resistor set via parameter RESint_ext is monitored.	% - - -	INT16 R/- - -	CANopen 301C:14 _h Modbus 7208 Profibus 7208 CIP 128.1.20 ModbusTCP 7208 EtherCAT 301C:14 _h PROFINET 7208
_RES_maxoverload	Maximum value of overload of braking resistor. Maximum overload of braking resistor during the last 10 seconds. The braking resistor set via parameter RESint_ext is monitored.	% - - -	INT16 R/- - -	CANopen 301C:15 _h Modbus 7210 Profibus 7210 CIP 128.1.21 ModbusTCP 7210 EtherCAT 301C:15 _h PROFINET 7210
_RES_overload	Overload of braking resistor (I2t). The braking resistor set via parameter RESint_ext is monitored.	% - - -	INT16 R/- - -	CANopen 301C:13 _h Modbus 7206 Profibus 7206 CIP 128.1.19 ModbusTCP 7206 EtherCAT 301C:13 _h PROFINET 7206
_RESint_P	Nominal power of internal braking resistor.	W - - -	UINT16 R/- per. -	CANopen 3010:9 _h Modbus 4114 Profibus 4114 CIP 116.1.9 ModbusTCP 4114 EtherCAT 3010:9 _h PROFINET 4114
_RESint_R	Resistance value of internal braking resistor. In increments of 0.01 Ω.	Ω - - -	UINT16 R/- per. -	CANopen 3010:8 _h Modbus 4112 Profibus 4112 CIP 116.1.8 ModbusTCP 4112 EtherCAT 3010:8 _h PROFINET 4112
_RMAC_DetailStatus	Detailed status of relative movement after capture (RMAC). 0 / Not Activated: Not activated 1 / Waiting: Waiting for capture signal 2 / Moving: Relative movement after capture running 3 / Interrupted: Relative movement after capture interrupted 4 / Finished: Relative movement after capture terminated Available with firmware version ≥V01.16.	- - - -	UINT16 R/- - -	CANopen 3023:12 _h Modbus 8996 Profibus 8996 CIP 135.1.18 ModbusTCP 8996 EtherCAT 3023:12 _h PROFINET 8996
_RMAC_Status	Status of relative movement after capture. 0 / Not Active: Not active 1 / Active Or Finished: Relative movement after capture is active or finished Available with firmware version ≥V01.10.	- 0 - 1	UINT16 R/- - -	CANopen 3023:11 _h Modbus 8994 Profibus 8994 CIP 135.1.17 ModbusTCP 8994 EtherCAT 3023:11 _h PROFINET 8994

Parameters

Parameter name HMI menu HMI name	Description	Unit Minimum value Factory setting Maximum value	Data type R/W Persistent Expert	Parameter address via fieldbus
_ScalePOSmax	Maximum user-defined value for positions. This value depends on ScalePOSdenom and ScalePOSnum.	usr_p - - -	INT32 R/- - -	CANopen 301F:A _h Modbus 7956 Profibus 7956 CIP 131.1.10 ModbusTCP 7956 EtherCAT 301F:A _h PROFINET 7956
_ScaleRAMPmax	Maximum user-defined value for acceleration and deceleration. This value depends on ScaleRAMPdenom and ScaleRAMPnum.	usr_a - - -	INT32 R/- - -	CANopen 301F:C _h Modbus 7960 Profibus 7960 CIP 131.1.12 ModbusTCP 7960 EtherCAT 301F:C _h PROFINET 7960
_ScaleVELmax	Maximum user-defined value for velocity. This value depends on ScaleVELdenom and ScaleVELnum.	usr_v - - -	INT32 R/- - -	CANopen 301F:B _h Modbus 7958 Profibus 7958 CIP 131.1.11 ModbusTCP 7958 EtherCAT 301F:B _h PROFINET 7958
_SigActive	Status of monitoring signals. See _SigLatched for more details on the bit codes.	- - - -	UINT32 R/- - -	CANopen 301C:7 _h Modbus 7182 Profibus 7182 CIP 128.1.7 ModbusTCP 7182 EtherCAT 301C:7 _h PROFINET 7182

Parameter name HMI menu HMI name	Description	Unit Minimum value Factory setting Maximum value	Data type R/W Persistent Expert	Parameter address via fieldbus
_SigLatched П о н 5 , 6 5	<p>Saved status of monitoring signals. Signal state: 0: Not activated 1: Activated</p> <p>Bit assignments: Bit 0: General error Bit 1: Hardware limit switches (LIMP/LIMN/REF) Bit 2: Out of range (software limit switches, tuning) Bit 3: Quick Stop via fieldbus Bit 4: Error in active operating mode Bit 5: Commissioning interface (RS485) Bit 6: Integrated fieldbus Bit 7: Reserved Bit 8: Following error Bit 9: Reserved Bit 10: Inputs STO are 0 Bit 11: Inputs STO different Bit 12: Reserved Bit 13: DC bus voltage low Bit 14: DC bus voltage high Bit 15: Mains phase missing Bit 16: Integrated encoder interface Bit 17: Overtemperature motor Bit 18: Overtemperature power stage Bit 19: Reserved Bit 20: Memory card Bit 21: Fieldbus module Bit 22: Encoder module Bit 23: Safety module eSM or module IOM1 Bit 24: Reserved Bit 25: Reserved Bit 26: Motor connection Bit 27: Motor overcurrent/short circuit Bit 28: Frequency of reference signal too high Bit 29: Nonvolatile memory error detected Bit 30: System start-up (hardware or parameter) Bit 31: System error detected (for example, watchdog, internal hardware interface)</p> <p>Monitoring functions are product-dependent.</p>	- - - -	UINT32 R/- - -	CANopen 301C:8 _h Modbus 7184 Profibus 7184 CIP 128.1.8 ModbusTCP 7184 EtherCAT 301C:8 _h PROFINET 7184
_SuppDriveModes	<p>Supported operating modes as per DSP402. Bit 0: Profile Position Bit 2: Profile Velocity Bit 3: Profile Torque Bit 5: Homing Bit 6: Interpolated Position Bit 7: Cyclic Synchronous Position Bit 8: Cyclic Synchronous Velocity Bit 9: Cyclic Synchronous Torque Bit 16: Jog Bit 17: Electronic Gear Bit 21: Manual Tuning Bit 23: Motion Sequence</p>	- - - -	UINT32 R/- - -	CANopen 6502:0 _h Modbus 6952 Profibus 6952 CIP 127.1.20 ModbusTCP 6952 EtherCAT 6502:0 _h PROFINET 6952
_TouchProbeStat	<p>Touch Probe status (DS402). Modified settings become active immediately. Available with firmware version ≥V01.16.</p>	- - -	UINT16 R/- - -	CANopen 60B9:0 _h Modbus 7030 Profibus 7030 CIP 127.1.59 ModbusTCP 7030 EtherCAT 60B9:0 _h PROFINET 7030

Parameter name HMI menu HMI name	Description	Unit Minimum value Factory setting Maximum value	Data type R/W Persistent Expert	Parameter address via fieldbus
_tq_act	Actual torque. Positive value: Actual torque in positive direction of movement Negative value: Actual torque in negative direction of movement 100.0 % correspond to the continuous stall torque $_{M_M_0}$. In increments of 0.1 %.	% - - -	INT16 R/- - -	CANopen 6077:0 _h Modbus 7752 Profibus 7752 CIP 130.1.36 ModbusTCP 7752 EtherCAT 6077:0 _h PROFINET 7752
_Ud_ref	Reference motor voltage d component. In increments of 0.1 V.	V - - -	INT16 R/- - -	CANopen 301E:5 _h Modbus 7690 Profibus 7690 CIP 130.1.5 ModbusTCP 7690 EtherCAT 301E:5 _h PROFINET 7690
_UDC_act <i>Π α η υ δ c R</i>	Voltage at DC bus. In increments of 0.1 V.	V - - -	UINT16 R/- - -	CANopen 301C:F _h Modbus 7198 Profibus 7198 CIP 128.1.15 ModbusTCP 7198 EtherCAT 301C:F _h PROFINET 7198
_Udq_ref	Total motor voltage (vector sum d components and q components). Square root of ($_{Uq_ref}^2 + _{Ud_ref}^2$) In increments of 0.1 V.	V - - -	INT16 R/- - -	CANopen 301E:6 _h Modbus 7692 Profibus 7692 CIP 130.1.6 ModbusTCP 7692 EtherCAT 301E:6 _h PROFINET 7692
_Uq_ref	Reference motor voltage q component. In increments of 0.1 V.	V - - -	INT16 R/- - -	CANopen 301E:4 _h Modbus 7688 Profibus 7688 CIP 130.1.4 ModbusTCP 7688 EtherCAT 301E:4 _h PROFINET 7688
_v_act <i>Π α η V R c t</i>	Actual velocity.	usr_v - - -	INT32 R/- - -	CANopen 606C:0 _h Modbus 7744 Profibus 7744 CIP 130.1.32 ModbusTCP 7744 EtherCAT 606C:0 _h PROFINET 7744
_v_act_ENC1	Actual velocity of encoder 1. Available with firmware version $\geq V01.01$.	usr_v - -	INT32 R/- - -	CANopen 301E:29 _h Modbus 7762 Profibus 7762 CIP 130.1.41 ModbusTCP 7762 EtherCAT 301E:29 _h PROFINET 7762
_v_act_ENC2	Actual velocity of encoder 2 (module).	usr_v - -	INT32 R/- - -	CANopen 301E:23 _h Modbus 7750 Profibus 7750 CIP 130.1.35 ModbusTCP 7750 EtherCAT 301E:23 _h PROFINET 7750

Parameter name HMI menu HMI name	Description	Unit Minimum value Factory setting Maximum value	Data type R/W Persistent Expert	Parameter address via fieldbus
_v_dif_usr	Load-dependent velocity deviation. The load-dependent velocity deviation is the difference between reference velocity and actual velocity. Available with firmware version \geq V01.26.	usr_v -2147483648 - 2147483647	INT32 R/- - -	CANopen 301E:2C _h Modbus 7768 Profibus 7768 CIP 130.1.44 ModbusTCP 7768 EtherCAT 301E:2C _h PROFINET 7768
_v_PTI_act	Actual velocity at PTI interface. Determined pulse frequency at position interface PTI.	Inc/s -2147483648 - 2147483647	INT32 R/- - -	CANopen 3008:6 _h Modbus 2060 Profibus 2060 CIP 108.1.6 ModbusTCP 2060 EtherCAT 3008:6 _h PROFINET 2060
_v_ref П о н V r E F	Reference velocity.	usr_v - - -	INT32 R/- - -	CANopen 301E:1F _h Modbus 7742 Profibus 7742 CIP 130.1.31 ModbusTCP 7742 EtherCAT 301E:1F _h PROFINET 7742
_Vmax_act	Currently effective velocity limitation. Value of the currently effective velocity limitation. This is one of the following values (whichever is lowest): - CTRL_v_max - M_n_max (only if motor is connected) - Velocity limitation via digital input	usr_v - - -	UINT32 R/- - -	CANopen 301C:29 _h Modbus 7250 Profibus 7250 CIP 128.1.41 ModbusTCP 7250 EtherCAT 301C:29 _h PROFINET 7250
_VoltUtil П о н u d c r	Degree of utilization of DC bus voltage. With a value of 100%, the drive operates at the voltage limit.	% - - -	INT16 R/- - -	CANopen 301E:13 _h Modbus 7718 Profibus 7718 CIP 130.1.19 ModbusTCP 7718 EtherCAT 301E:13 _h PROFINET 7718
_WarnActive	Active errors of error class 0, bit-coded. See parameter _WarnLatched for more details on the bits.	- - - -	UINT32 R/- - -	CANopen 301C:B _h Modbus 7190 Profibus 7190 CIP 128.1.11 ModbusTCP 7190 EtherCAT 301C:B _h PROFINET 7190

Parameter name HMI menu HMI name	Description	Unit Minimum value Factory setting Maximum value	Data type R/W Persistent Expert	Parameter address via fieldbus
<u>WarnLatched</u> <u>П о н</u> <u>W r n 5</u>	<p>Saved errors of error class 0, bit-coded. The bits are set to 0 in the case of a Fault Reset. Bits 10 and 13 are set to 0 automatically.</p> <p>Signal state: 0: Not activated 1: Activated</p> <p>Bit assignments: Bit 0: General Bit 1: Reserved Bit 2: Out of range (software limit switches, tuning) Bit 3: Reserved Bit 4: Active operating mode Bit 5: Commissioning interface (RS485) Bit 6: Integrated fieldbus Bit 7: Reserved Bit 8: Following error Bit 9: Reserved Bit 10: Inputs STO_A and/or STO_B Bits 11 ... 12: Reserved Bit 13: Low voltage DC bus or mains phase missing Bits 14 ... 15: Reserved Bit 16: Integrated encoder interface Bit 17: Temperature of motor high Bit 18: Temperature of power stage high Bit 19: Reserved Bit 20: Memory card Bit 21: Fieldbus module Bit 22: Encoder module Bit 23: Safety module eSM or module IOM1 Bits 24 ... 27: Reserved Bit 28: Transistor for braking resistor overload (I^2t) Bit 29: Braking resistor overload (I^2t) Bit 30: Power stage overload (I^2t) Bit 31: Motor overload (I^2t)</p> <p>Monitoring functions are product-dependent.</p>	- - - -	UINT32 R/- - -	CANopen 301C:C _h Modbus 7192 Profibus 7192 CIP 128.1.12 ModbusTCP 7192 EtherCAT 301C:C _h PROFINET 7192
AbsHomeRequest	<p>Absolute positioning only after homing. 0 / No: No 1 / Yes: Yes This parameter has no function if the parameter 'PP_ModeRangeLim' is set to '1' which allows overtraveling of the movement range (ref_ok is set to 0 when the range is overtraveled). Modified settings become active immediately.</p>	- 0 1 1	UINT16 R/W per. -	CANopen 3006:16 _h Modbus 1580 Profibus 1580 CIP 106.1.22 ModbusTCP 1580 EtherCAT 3006:16 _h PROFINET 1580
AccessExcl	<p>Get exclusive access to access channel. Write parameter: Value 0: Release access channel Value 1: Use exclusive access for access channel</p> <p>Read parameter: Value 0: Access channel is not used exclusively Value 1: Access channel is used exclusively (access channel used for reading) Modified settings become active immediately.</p>	- - -	UINT16 R/W - -	CANopen 3001:D _h Modbus 282 Profibus 282 CIP 101.1.13 ModbusTCP 282 EtherCAT 3001:D _h PROFINET 282

Parameter name HMI menu HMI name	Description	Unit Minimum value Factory setting Maximum value	Data type R/W Persistent Expert	Parameter address via fieldbus
AccessLock	<p>Locking other access channels.</p> <p>Value 0: Allow control via other access channels Value 1: Lock control via other access channels</p> <p>Example: The access channel is used by the fieldbus. In this case, control via the commissioning software, for example, is not possible.</p> <p>The access channel can only be locked after the currently active operating mode has terminated. Modified settings become active immediately.</p>	- 0 0 1	UINT16 R/W - -	CANopen 3001:E _h Modbus 284 Profibus 284 CIP 101.1.14 ModbusTCP 284 EtherCAT 3001:E _h PROFINET 284
AT_dir a P → t u n - S t , n	<p>Direction of movement for Autotuning.</p> <p>1 / Positive Negative Home / P n h: Positive direction first, then negative direction with return to initial position 2 / Negative Positive Home / n P h: Negative direction first, then positive direction with return to initial position 3 / Positive Home / P - h: Positive direction only with return to initial position 4 / Positive / P - -: Positive direction only without return to initial position 5 / Negative Home / n - h: Negative direction only with return to initial position 6 / Negative / n - -: Negative direction only without return to initial position</p> <p>Modified settings become active the next time the motor moves.</p>	- 1 1 6	UINT16 R/W - -	CANopen 302F:4 _h Modbus 12040 Profibus 12040 CIP 147.1.4 ModbusTCP 12040 EtherCAT 302F:4 _h PROFINET 12040
AT_dis	<p>Movement range for Autotuning.</p> <p>Movement range within which the control parameters are automatically optimized. The movement range is entered with reference to the actual position. In the case of "Movement in one direction only" (Parameter AT_dir), the specified movement range is used for each optimization step. The movement typically corresponds to 20 times the value, but it is not limited.</p> <p>The parameter AT_dis_usr allows you to enter the value in user-defined units. In increments of 0.1 revolution. Modified settings become active the next time the motor moves.</p>	revolution 1.0 2.0 999.9	UINT32 R/W - -	CANopen 302F:3 _h Modbus 12038 Profibus 12038 CIP 147.1.3 ModbusTCP 12038 EtherCAT 302F:3 _h PROFINET 12038
AT_dis_usr	<p>Movement range for Autotuning.</p> <p>Movement range within which the control parameters are automatically optimized. The movement range is entered with reference to the actual position. In the case of "Movement in one direction only" (Parameter AT_dir), the specified range is used for each optimization step. The movement typically corresponds to 20 times the value, but it is not limited.</p> <p>The minimum value, the factory setting and the maximum value depend on the scaling factor. Modified settings become active the next time the motor moves. Available with firmware version ≥V01.03.</p>	usr_p 1 32768 2147483647	INT32 R/W - -	CANopen 302F:12 _h Modbus 12068 Profibus 12068 CIP 147.1.18 ModbusTCP 12068 EtherCAT 302F:12 _h PROFINET 12068
AT_mechanical	<p>Type of coupling of the system.</p> <p>1 / Direct Coupling: Direct coupling 2 / Belt Axis: Belt axis 3 / Spindle Axis: Spindle axis</p> <p>Modified settings become active the next time the motor moves.</p>	- 1 2 3	UINT16 R/W - -	CANopen 302F:E _h Modbus 12060 Profibus 12060 CIP 147.1.14 ModbusTCP 12060 EtherCAT 302F:E _h PROFINET 12060

Parameter name HMI menu HMI name	Description	Unit Minimum value Factory setting Maximum value	Data type R/W Persistent Expert	Parameter address via fieldbus
AT_n_ref	Velocity jump for Autotuning. The parameter AT_v_ref allows you to enter the value in user-defined units. Modified settings become active the next time the motor moves.	RPM 10 100 1000	UINT32 R/W - -	CANopen 302F:6 _h Modbus 12044 Profibus 12044 CIP 147.1.6 ModbusTCP 12044 EtherCAT 302F:6 _h PROFINET 12044
AT_start	Autotuning start. Value 0: Terminate Value 1: Activate EasyTuning Value 2: Activate ComfortTuning Modified settings become active immediately.	- 0 - 2	UINT16 R/W - -	CANopen 302F:1 _h Modbus 12034 Profibus 12034 CIP 147.1.1 ModbusTCP 12034 EtherCAT 302F:1 _h PROFINET 12034
AT_v_ref	Velocity jump for Autotuning. The minimum value, the factory setting and the maximum value depend on the scaling factor. Modified settings become active the next time the motor moves. Available with firmware version \geq V01.03.	usr_v 1 100 2147483647	INT32 R/W - -	CANopen 302F:13 _h Modbus 12070 Profibus 12070 CIP 147.1.19 ModbusTCP 12070 EtherCAT 302F:13 _h PROFINET 12070
AT_wait	Waiting time between Autotuning steps. Modified settings become active the next time the motor moves.	ms 300 500 10000	UINT16 R/W - -	CANopen 302F:9 _h Modbus 12050 Profibus 12050 CIP 147.1.9 ModbusTCP 12050 EtherCAT 302F:9 _h PROFINET 12050
BLSH_Mode	Processing mode of backlash compensation. 0 / Off: Backlash compensation is off 1 / OnAfterPositiveMovement: Backlash compensation is on, last movement was in positive direction 2 / OnAfterNegativeMovement: Backlash compensation is on, last movement was in negative direction Modified settings become active immediately. Available with firmware version \geq V01.14.	- 0 0 2	UINT16 R/W per. -	CANopen 3006:41 _h Modbus 1666 Profibus 1666 CIP 106.1.65 ModbusTCP 1666 EtherCAT 3006:41 _h PROFINET 1666
BLSH_Position	Position value for backlash compensation. Setting can only be modified if power stage is disabled. Modified settings become active the next time the power stage is enabled. Available with firmware version \geq V01.14.	usr_p 0 0 2147483647	INT32 R/W per. -	CANopen 3006:42 _h Modbus 1668 Profibus 1668 CIP 106.1.66 ModbusTCP 1668 EtherCAT 3006:42 _h PROFINET 1668
BLSH_Time	Processing time for backlash compensation. Value 0: Immediate backlash compensation Value >0: Processing time for backlash compensation Setting can only be modified if power stage is disabled. Modified settings become active the next time the power stage is enabled. Available with firmware version \geq V01.14.	ms 0 0 16383	UINT16 R/W per. -	CANopen 3006:44 _h Modbus 1672 Profibus 1672 CIP 106.1.68 ModbusTCP 1672 EtherCAT 3006:44 _h PROFINET 1672

Parameter name HMI menu HMI name	Description	Unit Minimum value Factory setting Maximum value	Data type R/W Persistent Expert	Parameter address via fieldbus
BRK_AddT_apply	Additional time delay for applying the holding brake. The overall time delay for applying the holding brake is the time delay from the electronic nameplate of the motor and the additional time delay in this parameter. Setting can only be modified if power stage is disabled. Modified settings become active the next time the power stage is enabled.	ms 0 0 1000	INT16 R/W per. -	CANopen 3005:8 _h Modbus 1296 Profibus 1296 CIP 105.1.8 ModbusTCP 1296 EtherCAT 3005:8 _h PROFINET 1296
BRK_AddT_release	Additional time delay for releasing the holding brake. The overall time delay for releasing the holding brake is the time delay from the electronic nameplate of the motor and the additional time delay in this parameter. Setting can only be modified if power stage is disabled. Modified settings become active the next time the power stage is enabled.	ms 0 0 400	INT16 R/W per. -	CANopen 3005:7 _h Modbus 1294 Profibus 1294 CIP 105.1.7 ModbusTCP 1294 EtherCAT 3005:7 _h PROFINET 1294
BRK_release	Manual operation of the holding brake. 0 / Automatic: Automatic processing 1 / Manual Release: Manual release of holding brake 2 / Manual Application: Manual applying of holding brake You can apply or release the holding brake manually. The holding brake can only be manually released in the operating states 'Switch On Disabled', 'Ready To Switch On' or 'Fault'. If you have applied the holding brake manually and then want to release it manually, you must first set this parameter to Automatic and then to Manual Release. Modified settings become active immediately. Available with firmware version \geq V01.12.	- 0 0 2	UINT16 R/W - -	CANopen 3008:A _h Modbus 2068 Profibus 2068 CIP 108.1.10 ModbusTCP 2068 EtherCAT 3008:A _h PROFINET 2068
CANaddress C o n F → C o n - C o R d	CANopen address (node number). Modified settings become active the next time the product is powered on.	- 1 - 127	UINT16 R/W per. -	-
CANbaud C o n F → C o n - C o b d	CANopen baud rate. 50 kBaud / 5 0 : 50 kBaud 125 kBaud / 1 2 5 : 125 kBaud 250 kBaud / 2 5 0 : 250 kBaud 500 kBaud / 5 0 0 : 500 kBaud 1 MBaud / 1 0 0 0 : 1 MBaud Modified settings become active the next time the product is powered on.	- 50 250 1000	UINT16 R/W per. -	-
CANpdo1Event	PDO 1 event mask. Changes of values in the object trigger an event: Bit 0: First PDO object Bit 1: Second PDO object Bit 2: Third PDO object Bit 3: Fourth PDO object Modified settings become active immediately.	- 0 1 15	UINT16 R/W - -	CANopen 3041:B _h Modbus 16662 Profibus 16662 CIP 165.1.11 ModbusTCP 16662 EtherCAT 3041:B _h PROFINET 16662
CANpdo2Event	PDO 2 event mask. Changes of values in the object trigger an event: Bit 0: First PDO object Bit 1: Second PDO object Bit 2: Third PDO object Bit 3: Fourth PDO object Modified settings become active immediately.	- 0 1 15	UINT16 R/W - -	CANopen 3041:C _h Modbus 16664 Profibus 16664 CIP 165.1.12 ModbusTCP 16664 EtherCAT 3041:C _h PROFINET 16664

Parameter name HMI menu HMI name	Description	Unit Minimum value Factory setting Maximum value	Data type R/W Persistent Expert	Parameter address via fieldbus
CANpdo3Event	<p>PDO 3 event mask.</p> <p>Changes of values in the object trigger an event:</p> <p>Bit 0: First PDO object</p> <p>Bit 1: Second PDO object</p> <p>Bit 2: Third PDO object</p> <p>Bit 3: Fourth PDO object</p> <p>Modified settings become active immediately.</p>	- 0 1 15	UINT16 R/W - -	CANopen 3041:D _h Modbus 16666 Profibus 16666 CIP 165.1.13 ModbusTCP 16666 EtherCAT 3041:D _h PROFINET 16666
CANpdo4Event	<p>PDO 4 event mask.</p> <p>Changes of values in the object trigger an event:</p> <p>Bit 0: First PDO object</p> <p>Bit 1: Second PDO object</p> <p>Bit 2: Third PDO object</p> <p>Bit 3: Fourth PDO object</p> <p>Modified settings become active immediately.</p>	- 0 15 15	UINT16 R/W - -	CANopen 3041:E _h Modbus 16668 Profibus 16668 CIP 165.1.14 ModbusTCP 16668 EtherCAT 3041:E _h PROFINET 16668
Cap1Activate	<p>Capture input 1 start/stop.</p> <p>0 / Capture Stop: Cancel capture function</p> <p>1 / Capture Once: Start one-time capture</p> <p>2 / Capture Continuous: Start continuous capture</p> <p>3 / Reserved: Reserved</p> <p>4 / Reserved: Reserved</p> <p>In the case of one-time capture, the function is terminated when the first value is captured.</p> <p>In the case of continuous capture, the function continues to run.</p> <p>Modified settings become active immediately.</p>	- 0 - 4	UINT16 R/W - -	CANopen 300A:4 _h Modbus 2568 Profibus 2568 CIP 110.1.4 ModbusTCP 2568 EtherCAT 300A:4 _h PROFINET 2568
Cap1Config	<p>Capture input 1 configuration.</p> <p>0 / Falling Edge: Position capture at falling edge</p> <p>1 / Rising Edge: Position capture at rising edge</p> <p>2 / Both Edges: Position capture at both edges</p> <p>Modified settings become active immediately.</p>	- 0 0 2	UINT16 R/W - -	CANopen 300A:2 _h Modbus 2564 Profibus 2564 CIP 110.1.2 ModbusTCP 2564 EtherCAT 300A:2 _h PROFINET 2564
Cap1Source	<p>Capture input 1 encoder source.</p> <p>0 / Pact Encoder 1: Source for capture input 1 is Pact of encoder 1</p> <p>1 / Pact Encoder 2: Source for capture input 1 is Pact of encoder 2 (module)</p> <p>Modified settings become active immediately.</p> <p>Available with firmware version ≥V01.01.</p>	- 0 0 1	UINT16 R/W - -	CANopen 300A:A _h Modbus 2580 Profibus 2580 CIP 110.1.10 ModbusTCP 2580 EtherCAT 300A:A _h PROFINET 2580
Cap2Activate	<p>Capture input 2 start/stop.</p> <p>0 / Capture Stop: Cancel capture function</p> <p>1 / Capture Once: Start one-time capture</p> <p>2 / Capture Continuous: Start continuous capture</p> <p>3 / Reserved: Reserved</p> <p>4 / Reserved: Reserved</p> <p>In the case of one-time capture, the function is terminated when the first value is captured.</p> <p>In the case of continuous capture, the function continues to run.</p> <p>Modified settings become active immediately.</p>	- 0 - 4	UINT16 R/W - -	CANopen 300A:5 _h Modbus 2570 Profibus 2570 CIP 110.1.5 ModbusTCP 2570 EtherCAT 300A:5 _h PROFINET 2570
Cap2Config	<p>Capture input 2 configuration.</p> <p>0 / Falling Edge: Position capture at falling edge</p> <p>1 / Rising Edge: Position capture at rising edge</p> <p>2 / Both Edges: Position capture at both edges</p> <p>Modified settings become active immediately.</p>	- 0 0 2	UINT16 R/W - -	CANopen 300A:3 _h Modbus 2566 Profibus 2566 CIP 110.1.3 ModbusTCP 2566 EtherCAT 300A:3 _h PROFINET 2566

Parameter name HMI menu HMI name	Description	Unit Minimum value Factory setting Maximum value	Data type R/W Persistent Expert	Parameter address via fieldbus
Cap2Source	Capture input 2 encoder source. 0 / Pact Encoder 1: Source for capture input 2 is Pact of encoder 1 1 / Pact Encoder 2: Source for capture input 2 is Pact of encoder 2 (module) Modified settings become active immediately. Available with firmware version \geq V01.01.	- 0 0 1	UINT16 R/W - -	CANopen 300A:B _h Modbus 2582 Profibus 2582 CIP 110.1.11 ModbusTCP 2582 EtherCAT 300A:B _h PROFINET 2582
Cap3Activate	Capture input 3 start/stop. 0 / Capture Stop: Cancel capture function 1 / Capture Once: Start one-time capture 2 / Capture Continuous: Start continuous capture In the case of one-time capture, the function is terminated when the first value is captured. In the case of continuous capture, the function continues to run. Available with hardware version \geq RS03. Modified settings become active immediately.	- 0 - 2	UINT16 R/W - -	CANopen 300A:12 _h Modbus 2596 Profibus 2596 CIP 110.1.18 ModbusTCP 2596 EtherCAT 300A:12 _h PROFINET 2596
Cap3Config	Capture input 3 configuration. 0 / Falling Edge: Position capture at falling edge 1 / Rising Edge: Position capture at rising edge Available with hardware version \geq RS03. Modified settings become active immediately.	- 0 0 1	UINT16 R/W - -	CANopen 300A:11 _h Modbus 2594 Profibus 2594 CIP 110.1.17 ModbusTCP 2594 EtherCAT 300A:11 _h PROFINET 2594
Cap3Source	Capture input 3 encoder source. 0 / Pact Encoder 1: Source for capture input 3 is Pact of encoder 1 1 / Pact Encoder 2: Source for capture input 3 is Pact of encoder 2 (module) Available with hardware version \geq RS03. Modified settings become active immediately.	- 0 0 1	UINT16 R/W - -	CANopen 300A:15 _h Modbus 2602 Profibus 2602 CIP 110.1.21 ModbusTCP 2602 EtherCAT 300A:15 _h PROFINET 2602
CLSET_p_DiffWin	Position deviation for control loop parameter set switching. If the position deviation of the position controller is less than the value of this parameter, control loop parameter set 2 is used. Otherwise, control loop parameter set 1 is used. The parameter CLSET_p_DiffWin_usr allows you to enter the value in user-defined units. In increments of 0.0001 revolution. Modified settings become active immediately.	revolution 0.0000 0.0100 2.0000	UINT16 R/W per. -	CANopen 3011:1C _h Modbus 4408 Profibus 4408 CIP 117.1.28 ModbusTCP 4408 EtherCAT 3011:1C _h PROFINET 4408
CLSET_p_DiffWin_usr	Position deviation for control loop parameter set switching. If the position deviation of the position controller is less than the value of this parameter, control loop parameter set 2 is used. Otherwise, control loop parameter set 1 is used. The minimum value, the factory setting and the maximum value depend on the scaling factor. Modified settings become active immediately. Available with firmware version \geq V01.03.	usr_p 0 164 2147483647	INT32 R/W per. -	CANopen 3011:25 _h Modbus 4426 Profibus 4426 CIP 117.1.37 ModbusTCP 4426 EtherCAT 3011:25 _h PROFINET 4426

Parameter name HMI menu HMI name	Description	Unit Minimum value Factory setting Maximum value	Data type R/W Persistent Expert	Parameter address via fieldbus
CLSET_ParSwiCond	<p>Condition for parameter set switching.</p> <p>0 / None Or Digital Input: None or digital input function selected</p> <p>1 / Inside Position Deviation: Inside position deviation (value definition in parameter CLSET_p_DiffWin)</p> <p>2 / Below Reference Velocity: Below reference velocity (value definition in parameter CLSET_v_Threshold)</p> <p>3 / Below Actual Velocity: Below actual velocity (value definition in parameter CLSET_v_Threshold)</p> <p>4 / Reserved: Reserved</p> <p>In the case of parameter set switching, the values of the following parameters are changed gradually:</p> <ul style="list-style-type: none"> - CTRL_KPn - CTRL_TNn - CTRL_KPp - CTRL_TAUref - CTRL_TAUiref - CTRL_KFPp <p>The following parameters are changed immediately after the time for parameter set switching (CTRL_ParChgTime):</p> <ul style="list-style-type: none"> - CTRL_Nf1damp - CTRL_Nf1freq - CTRL_Nf1bandw - CTRL_Nf2damp - CTRL_Nf2freq - CTRL_Nf2bandw - CTRL_Osupdamp - CTRL_Osupdelay - CTRL_Kfric <p>Modified settings become active immediately.</p>	- 0 0 4	UINT16 R/W per. -	CANopen 3011:1A _h Modbus 4404 Profibus 4404 CIP 117.1.26 ModbusTCP 4404 EtherCAT 3011:1A _h PROFINET 4404
CLSET_v_Threshold	<p>Velocity threshold for control loop parameter set switching.</p> <p>If the reference velocity or the actual velocity are less than the value of this parameter, control loop parameter set 2 is used. Otherwise, control loop parameter set 1 is used.</p> <p>Modified settings become active immediately.</p>	usr_v 0 50 2147483647	UINT32 R/W per. -	CANopen 3011:1D _h Modbus 4410 Profibus 4410 CIP 117.1.29 ModbusTCP 4410 EtherCAT 3011:1D _h PROFINET 4410
CLSET_winTime	<p>Time window for parameter set switching.</p> <p>Value 0: Window monitoring deactivated.</p> <p>Value >0: Window time for the parameters CLSET_v_Threshold and CLSET_p_DiffWin.</p> <p>Modified settings become active immediately.</p>	ms 0 0 1000	UINT16 R/W per. -	CANopen 3011:1B _h Modbus 4406 Profibus 4406 CIP 117.1.27 ModbusTCP 4406 EtherCAT 3011:1B _h PROFINET 4406
CommutCntCred	<p>Value for increased threshold for commutation monitoring.</p> <p>This parameter contains the value which is added to the threshold value for commutation monitoring.</p> <p>Setting can only be modified if power stage is disabled.</p> <p>Modified settings become active immediately.</p> <p>Available with firmware version ≥V01.30.</p>	- 0 0 1000	INT16 R/W per. expert	CANopen 3005:3E _h Modbus 1404 Profibus 1404 CIP 105.1.62 ModbusTCP 1404 EtherCAT 3005:3E _h PROFINET 1404

Parameter name HMI menu HMI name	Description	Unit Minimum value Factory setting Maximum value	Data type R/W Persistent Expert	Parameter address via fieldbus
CommutCntMax	Maximum value the commutation monitoring counter has reached. This parameter contains the maximum value the commutation monitoring counter has reached since power on or reset. The maximum value can be reset by writing the value 0. Available with firmware version \geq V01.30.	- - - -	INT16 R/W - expert	CANopen 303F:63 _h Modbus 16326 Profibus 16326 CIP 163.1.99 ModbusTCP 16326 EtherCAT 303F:63 _h PROFINET 16326
CTRL_GlobGain aP → tUn - GR in	Global gain factor (affects control loop parameter set 1). The global gain factor affects the following parameters of control loop parameter set 1: - CTRL_KPn - CTRL_TNn - CTRL_KPp - CTRL_TAUnref The global gain factor is set to 100% - if the control loop parameters are set to default - at the end of the Autotuning process - if control loop parameter set 2 is copied to set 1 via the parameter CTRL_ParSetCopy If a full configuration is transmitted via the fieldbus, the value for CTRL_GlobGain must be transmitted prior to the values of the control loop parameters CTRL_KPn, CTRL_TNn, CTRL_KPp and CTRL_TAUnref. If CTRL_GlobGain is changed during a configuration transmission, CTRL_KPn, CTRL_TNn, CTRL_KPp and CTRL_TAUnref must also be part of the configuration. In increments of 0.1 %. Modified settings become active immediately.	% 5.0 100.0 1000.0	UINT16 R/W per. -	CANopen 3011:15 _h Modbus 4394 Profibus 4394 CIP 117.1.21 ModbusTCP 4394 EtherCAT 3011:15 _h PROFINET 4394
CTRL_I_max CONF → drC - iMAX	Current limitation. During operation, the actual current limit is one of the following values (whichever is lowest): - CTRL_I_max - _M_I_max - _PS_I_max - Current limitation via analog input (module IOM1) - Current limitation via digital input Limitations caused by I2t monitoring are also taken into account. Default: _PS_I_max at 8 kHz PWM frequency and 230/480 V mains voltage In increments of 0.01 A _{rms} . Modified settings become active immediately.	A _{rms} 0.00 - 463.00	UINT16 R/W per. -	CANopen 3011:C _h Modbus 4376 Profibus 4376 CIP 117.1.12 ModbusTCP 4376 EtherCAT 3011:C _h PROFINET 4376
CTRL_I_max_fw	Maximum current for field weakening (d component). This value is only limited by the minimum/maximum parameter range (no limitation of this value by motor/power stage). The actually effective field weakening current is the minimum of CTRL_I_max_fw and one half of the lower value of the nominal current of the power stage and the motor. In increments of 0.01 A _{rms} . Setting can only be modified if power stage is disabled. Modified settings become active the next time the power stage is enabled.	A _{rms} 0.00 0.00 300.00	UINT16 R/W per. expert	CANopen 3011:F _h Modbus 4382 Profibus 4382 CIP 117.1.15 ModbusTCP 4382 EtherCAT 3011:F _h PROFINET 4382
CTRL_KFAcc	Acceleration feed-forward control. In increments of 0.1 %. Modified settings become active immediately.	% 0.0 0.0 3000.0	UINT16 R/W per. expert	CANopen 3011:A _h Modbus 4372 Profibus 4372 CIP 117.1.10 ModbusTCP 4372 EtherCAT 3011:A _h PROFINET 4372

Parameter name HMI menu HMI name	Description	Unit Minimum value Factory setting Maximum value	Data type R/W Persistent Expert	Parameter address via fieldbus
CTRL_ParChgTime	<p>Period of time for control loop parameter set switching.</p> <p>In the case of control loop parameter set switching, the values of the following parameters are changed gradually:</p> <ul style="list-style-type: none"> - CTRL_KPn - CTRL_TNn - CTRL_KPp - CTRL_TAUref - CTRL_TAUiref - CTRL_KFPp <p>Such a switching can be caused by</p> <ul style="list-style-type: none"> - change of the active control loop parameter set - change of the global gain - change of any of the parameters listed above - deactivating the integral term of the velocity controller <p>Modified settings become active immediately.</p>	ms 0 0 2000	UINT16 R/W per. -	CANopen 3011:14 _h Modbus 4392 Profibus 4392 CIP 117.1.20 ModbusTCP 4392 EtherCAT 3011:14 _h PROFINET 4392
CTRL_ParSetCopy	<p>Control loop parameter set copying.</p> <p>Value 1: Copy control loop parameter set 1 to set 2 Value 2: Copy control loop parameter set 2 to set 1</p> <p>If control loop parameter set 2 is copied to control loop parameter set 1, the parameter CTRL_GlobGain is set to 100%. Modified settings become active immediately.</p>	- 0.0 - 0.2	UINT16 R/W - -	CANopen 3011:16 _h Modbus 4396 Profibus 4396 CIP 117.1.22 ModbusTCP 4396 EtherCAT 3011:16 _h PROFINET 4396
CTRL_PwrUpParSet	<p>Selection of control loop parameter set at power up.</p> <p>0 / Switching Condition: The switching condition is used for control loop parameter set switching</p> <p>1 / Parameter Set 1: Control loop parameter set 1 is used</p> <p>2 / Parameter Set 2: Control loop parameter set 2 is used</p> <p>The selected value is also written to CTRL_SelParSet (non-persistent). Modified settings become active immediately.</p>	- 0 1 2	UINT16 R/W per. -	CANopen 3011:18 _h Modbus 4400 Profibus 4400 CIP 117.1.24 ModbusTCP 4400 EtherCAT 3011:18 _h PROFINET 4400
CTRL_SelParSet	<p>Selection of control loop parameter set.</p> <p>Coding see parameter: CTRL_PwrUpParSet Modified settings become active immediately.</p>	- 0 1 2	UINT16 R/W - -	CANopen 3011:19 _h Modbus 4402 Profibus 4402 CIP 117.1.25 ModbusTCP 4402 EtherCAT 3011:19 _h PROFINET 4402
CTRL_SmoothCurrent	<p>Smoothing factor for current controller.</p> <p>This parameter decreases the dynamics of the current control loop. Modified settings become active immediately. Available with firmware version \geqV01.26.</p>	% 50 100 100	UINT16 R/W per. -	CANopen 3011:26 _h Modbus 4428 Profibus 4428 CIP 117.1.38 ModbusTCP 4428 EtherCAT 3011:26 _h PROFINET 4428
CTRL_SpdFric	<p>Speed of rotation up to which the friction compensation is linear.</p> <p>Modified settings become active immediately.</p>	RPM 0 5 20	UINT32 R/W per. expert	CANopen 3011:9 _h Modbus 4370 Profibus 4370 CIP 117.1.9 ModbusTCP 4370 EtherCAT 3011:9 _h PROFINET 4370

Parameter name HMI menu HMI name	Description	Unit Minimum value Factory setting Maximum value	Data type R/W Persistent Expert	Parameter address via fieldbus
CTRL_TAUact	Filter time constant to smooth velocity of motor. The default value is calculated on the basis of the motor data. In increments of 0.01 ms. Modified settings become active immediately.	ms 0.00 - 30.00	UINT16 R/W per. expert	CANopen 3011:8 _h Modbus 4368 Profibus 4368 CIP 117.1.8 ModbusTCP 4368 EtherCAT 3011:8 _h PROFINET 4368
CTRL_v_max CONF → drC - nMAX	Velocity limitation. During operation, the velocity limit is one of the following values (whichever is lowest): - CTRL_v_max - M_n_max - Velocity limitation via analog input (module IOM1) - Velocity limitation via digital input Modified settings become active immediately.	usr_v 1 13200 2147483647	UINT32 R/W per. -	CANopen 3011:10 _h Modbus 4384 Profibus 4384 CIP 117.1.16 ModbusTCP 4384 EtherCAT 3011:10 _h PROFINET 4384
CTRL_VelObsAct iv	Activation of velocity observer. 0 / Velocity Observer Off: Velocity observer is off 1 / Velocity Observer Passive: Velocity observer is on, but not used for motor control 2 / Velocity Observer Active: Velocity observer is on and used for motor control Velocity observer control reduces velocity ripple and enhances controller bandwidth. Set the correct dynamics and inertia values before activation. Setting can only be modified if power stage is disabled. Modified settings become active immediately. Available with firmware version ≥V01.01.	- 0 0 2	UINT16 R/W per. expert	CANopen 3011:22 _h Modbus 4420 Profibus 4420 CIP 117.1.34 ModbusTCP 4420 EtherCAT 3011:22 _h PROFINET 4420
CTRL_VelObsDyn	Dynamics of velocity observer. The value of this parameter must be less than (for example, between 5 % and 20 %) the integral action time of the velocity controller (parameter CTRL1_TNn und CTRL2_TNn). In increments of 0.01 ms. Setting can only be modified if power stage is disabled. Modified settings become active immediately. Available with firmware version ≥V01.01.	ms 0.03 0.25 200.00	UINT16 R/W per. expert	CANopen 3011:23 _h Modbus 4422 Profibus 4422 CIP 117.1.35 ModbusTCP 4422 EtherCAT 3011:23 _h PROFINET 4422
CTRL_VelObsIne rt	Inertia value for velocity observer. System inertia that is used for velocity observer calculations. The default value is the inertia of the mounted motor. In the case of autotuning, the value of this parameter can be set equal to that of _AT_J. Setting can only be modified if power stage is disabled. Modified settings become active immediately. Available with firmware version ≥V01.01.	g cm ² 1 - 2147483648	UINT32 R/W per. expert	CANopen 3011:24 _h Modbus 4424 Profibus 4424 CIP 117.1.36 ModbusTCP 4424 EtherCAT 3011:24 _h PROFINET 4424
CTRL_vPIDDPart	PID velocity controller: D gain. In increments of 0.1 %. Modified settings become active immediately.	% 0.0 0.0 400.0	UINT16 R/W per. expert	CANopen 3011:6 _h Modbus 4364 Profibus 4364 CIP 117.1.6 ModbusTCP 4364 EtherCAT 3011:6 _h PROFINET 4364
CTRL_vPIDDTime	PID velocity controller: Time constant of D term smoothing filter. In increments of 0.01 ms. Modified settings become active immediately.	ms 0.01 0.25 10.00	UINT16 R/W per. expert	CANopen 3011:5 _h Modbus 4362 Profibus 4362 CIP 117.1.5 ModbusTCP 4362 EtherCAT 3011:5 _h PROFINET 4362

Parameter name HMI menu HMI name	Description	Unit Minimum value Factory setting Maximum value	Data type R/W Persistent Expert	Parameter address via fieldbus
CTRL1_KFPp <i>ConF</i> → <i>drC</i> - <i>FPP</i>	Velocity feed-forward control. In the case of switching between the two control loop parameter sets, the values are changed linearly over the time defined in the parameter CTRL_ParChgTime. In increments of 0.1 %. Modified settings become active immediately.	% 0.0 0.0 200.0	UINT16 R/W per. -	CANopen 3012:6 _h Modbus 4620 Profibus 4620 CIP 118.1.6 ModbusTCP 4620 EtherCAT 3012:6 _h PROFINET 4620
CTRL1_Kfric	Friction compensation: Gain. In increments of 0.01 A _{rms} . Modified settings become active immediately.	A _{rms} 0.00 0.00 10.00	UINT16 R/W per. expert	CANopen 3012:10 _h Modbus 4640 Profibus 4640 CIP 118.1.16 ModbusTCP 4640 EtherCAT 3012:10 _h PROFINET 4640
CTRL1_KPn <i>ConF</i> → <i>drC</i> - <i>Pn</i>	Velocity controller P gain. The default value is calculated on the basis of the motor parameters. In the case of switching between the two control loop parameter sets, the values are changed linearly over the time defined in the parameter CTRL_ParChgTime. In increments of 0.0001 A/RPM. Modified settings become active immediately.	A/RPM 0.0001 - 2.5400	UINT16 R/W per. -	CANopen 3012:1 _h Modbus 4610 Profibus 4610 CIP 118.1.1 ModbusTCP 4610 EtherCAT 3012:1 _h PROFINET 4610
CTRL1_KPp <i>ConF</i> → <i>drC</i> - <i>PP</i>	Position controller P gain. The default value is calculated. In the case of switching between the two control loop parameter sets, the values are changed linearly over the time defined in the parameter CTRL_ParChgTime. In increments of 0.1 1/s. Modified settings become active immediately.	1/s 2.0 - 900.0	UINT16 R/W per. -	CANopen 3012:3 _h Modbus 4614 Profibus 4614 CIP 118.1.3 ModbusTCP 4614 EtherCAT 3012:3 _h PROFINET 4614
CTRL1_Nf1bandw	Notch filter 1: Bandwidth. Definition of bandwidth: 1 - Fb/F0 In increments of 0.1 %. Modified settings become active immediately.	% 1.0 70.0 90.0	UINT16 R/W per. expert	CANopen 3012:A _h Modbus 4628 Profibus 4628 CIP 118.1.10 ModbusTCP 4628 EtherCAT 3012:A _h PROFINET 4628
CTRL1_Nf1damp	Notch filter 1: Damping. In increments of 0.1 %. Modified settings become active immediately.	% 55.0 90.0 99.0	UINT16 R/W per. expert	CANopen 3012:8 _h Modbus 4624 Profibus 4624 CIP 118.1.8 ModbusTCP 4624 EtherCAT 3012:8 _h PROFINET 4624
CTRL1_Nf1freq	Notch filter 1: Frequency. The filter is deactivated at a value of 15000. In increments of 0.1 Hz. Modified settings become active immediately.	Hz 50.0 1500.0 1500.0	UINT16 R/W per. expert	CANopen 3012:9 _h Modbus 4626 Profibus 4626 CIP 118.1.9 ModbusTCP 4626 EtherCAT 3012:9 _h PROFINET 4626
CTRL1_Nf2bandw	Notch filter 2: Bandwidth. Definition of bandwidth: 1 - Fb/F0 In increments of 0.1 %. Modified settings become active immediately.	% 1.0 70.0 90.0	UINT16 R/W per. expert	CANopen 3012:D _h Modbus 4634 Profibus 4634 CIP 118.1.13 ModbusTCP 4634 EtherCAT 3012:D _h PROFINET 4634

Parameter name HMI menu HMI name	Description	Unit Minimum value Factory setting Maximum value	Data type R/W Persistent Expert	Parameter address via fieldbus
CTRL1_Nf2damp	Notch filter 2: Damping. In increments of 0.1 %. Modified settings become active immediately.	% 55.0 90.0 99.0	UINT16 R/W per. expert	CANopen 3012:B _h Modbus 4630 Profibus 4630 CIP 118.1.11 ModbusTCP 4630 EtherCAT 3012:B _h PROFINET 4630
CTRL1_Nf2freq	Notch filter 2: Frequency. The filter is deactivated at a value of 15000. In increments of 0.1 Hz. Modified settings become active immediately.	Hz 50.0 1500.0 1500.0	UINT16 R/W per. expert	CANopen 3012:C _h Modbus 4632 Profibus 4632 CIP 118.1.12 ModbusTCP 4632 EtherCAT 3012:C _h PROFINET 4632
CTRL1_Osupdamp	Overshoot suppression filter: Damping. The filter is deactivated at a value of 0. In increments of 0.1 %. Modified settings become active immediately.	% 0.0 0.0 50.0	UINT16 R/W per. expert	CANopen 3012:E _h Modbus 4636 Profibus 4636 CIP 118.1.14 ModbusTCP 4636 EtherCAT 3012:E _h PROFINET 4636
CTRL1_Osupdelay	Overshoot suppression filter: Time delay. The filter is deactivated at a value of 0. In increments of 0.01 ms. Modified settings become active immediately.	ms 0.00 0.00 75.00	UINT16 R/W per. expert	CANopen 3012:F _h Modbus 4638 Profibus 4638 CIP 118.1.15 ModbusTCP 4638 EtherCAT 3012:F _h PROFINET 4638
CTRL1_TAUIref	Filter time constant of the reference current value filter. In the case of switching between the two control loop parameter sets, the values are changed linearly over the time defined in the parameter CTRL_ParChgTime. In increments of 0.01 ms. Modified settings become active immediately.	ms 0.00 0.50 4.00	UINT16 R/W per. -	CANopen 3012:5 _h Modbus 4618 Profibus 4618 CIP 118.1.5 ModbusTCP 4618 EtherCAT 3012:5 _h PROFINET 4618
CTRL1_TAUnref CONF → drC - tRul	Filter time constant of the reference velocity value filter. In the case of switching between the two control loop parameter sets, the values are changed linearly over the time defined in the parameter CTRL_ParChgTime. In increments of 0.01 ms. Modified settings become active immediately.	ms 0.00 9.00 327.67	UINT16 R/W per. -	CANopen 3012:4 _h Modbus 4616 Profibus 4616 CIP 118.1.4 ModbusTCP 4616 EtherCAT 3012:4 _h PROFINET 4616
CTRL1_TNn CONF → drC - tInl	Velocity controller integral action time. The default value is calculated. In the case of switching between the two control loop parameter sets, the values are changed linearly over the time defined in the parameter CTRL_ParChgTime. In increments of 0.01 ms. Modified settings become active immediately.	ms 0.00 - 327.67	UINT16 R/W per. -	CANopen 3012:2 _h Modbus 4612 Profibus 4612 CIP 118.1.2 ModbusTCP 4612 EtherCAT 3012:2 _h PROFINET 4612
CTRL2_KFPp CONF → drC - FPPp	Velocity feed-forward control. In the case of switching between the two control loop parameter sets, the values are changed linearly over the time defined in the parameter CTRL_ParChgTime. In increments of 0.1 %. Modified settings become active immediately.	% 0.0 0.0 200.0	UINT16 R/W per. -	CANopen 3013:6 _h Modbus 4876 Profibus 4876 CIP 119.1.6 ModbusTCP 4876 EtherCAT 3013:6 _h PROFINET 4876

Parameter name HMI menu HMI name	Description	Unit Minimum value Factory setting Maximum value	Data type R/W Persistent Expert	Parameter address via fieldbus
CTRL2_Kfric	Friction compensation: Gain. In increments of 0.01 A_{rms} . Modified settings become active immediately.	A_{rms} 0.00 0.00 10.00	UINT16 R/W per. expert	CANopen 3013:10 _h Modbus 4896 Profibus 4896 CIP 119.1.16 ModbusTCP 4896 EtherCAT 3013:10 _h PROFINET 4896
CTRL2_KPn ConF → drC - Pn2	Velocity controller P gain. The default value is calculated on the basis of the motor parameters. In the case of switching between the two control loop parameter sets, the values are changed linearly over the time defined in the parameter CTRL_ParChgTime. In increments of 0.0001 A/RPM. Modified settings become active immediately.	A/RPM 0.0001 - 2.5400	UINT16 R/W per. -	CANopen 3013:1 _h Modbus 4866 Profibus 4866 CIP 119.1.1 ModbusTCP 4866 EtherCAT 3013:1 _h PROFINET 4866
CTRL2_KPp ConF → drC - PP2	Position controller P gain. The default value is calculated. In the case of switching between the two control loop parameter sets, the values are changed linearly over the time defined in the parameter CTRL_ParChgTime. In increments of 0.1 1/s. Modified settings become active immediately.	1/s 2.0 - 900.0	UINT16 R/W per. -	CANopen 3013:3 _h Modbus 4870 Profibus 4870 CIP 119.1.3 ModbusTCP 4870 EtherCAT 3013:3 _h PROFINET 4870
CTRL2_Nf1bandw	Notch filter 1: Bandwidth. Definition of bandwidth: $1 - F_b/F_0$ In increments of 0.1 %. Modified settings become active immediately.	% 1.0 70.0 90.0	UINT16 R/W per. expert	CANopen 3013:A _h Modbus 4884 Profibus 4884 CIP 119.1.10 ModbusTCP 4884 EtherCAT 3013:A _h PROFINET 4884
CTRL2_Nf1damp	Notch filter 1: Damping. In increments of 0.1 %. Modified settings become active immediately.	% 55.0 90.0 99.0	UINT16 R/W per. expert	CANopen 3013:8 _h Modbus 4880 Profibus 4880 CIP 119.1.8 ModbusTCP 4880 EtherCAT 3013:8 _h PROFINET 4880
CTRL2_Nf1freq	Notch filter 1: Frequency. The filter is deactivated at a value of 15000. In increments of 0.1 Hz. Modified settings become active immediately.	Hz 50.0 1500.0 1500.0	UINT16 R/W per. expert	CANopen 3013:9 _h Modbus 4882 Profibus 4882 CIP 119.1.9 ModbusTCP 4882 EtherCAT 3013:9 _h PROFINET 4882
CTRL2_Nf2bandw	Notch filter 2: Bandwidth. Definition of bandwidth: $1 - F_b/F_0$ In increments of 0.1 %. Modified settings become active immediately.	% 1.0 70.0 90.0	UINT16 R/W per. expert	CANopen 3013:D _h Modbus 4890 Profibus 4890 CIP 119.1.13 ModbusTCP 4890 EtherCAT 3013:D _h PROFINET 4890
CTRL2_Nf2damp	Notch filter 2: Damping. In increments of 0.1 %. Modified settings become active immediately.	% 55.0 90.0 99.0	UINT16 R/W per. expert	CANopen 3013:B _h Modbus 4886 Profibus 4886 CIP 119.1.11 ModbusTCP 4886 EtherCAT 3013:B _h PROFINET 4886

Parameter name HMI menu HMI name	Description	Unit Minimum value Factory setting Maximum value	Data type R/W Persistent Expert	Parameter address via fieldbus
CTRL2_Nf2freq	Notch filter 2: Frequency. The filter is deactivated at a value of 15000. In increments of 0.1 Hz. Modified settings become active immediately.	Hz 50.0 1500.0 1500.0	UINT16 R/W per. expert	CANopen 3013:C _h Modbus 4888 Profibus 4888 CIP 119.1.12 ModbusTCP 4888 EtherCAT 3013:C _h PROFINET 4888
CTRL2_Osupdamp	Overshoot suppression filter: Damping. The filter is deactivated at a value of 0. In increments of 0.1 %. Modified settings become active immediately.	% 0.0 0.0 50.0	UINT16 R/W per. expert	CANopen 3013:E _h Modbus 4892 Profibus 4892 CIP 119.1.14 ModbusTCP 4892 EtherCAT 3013:E _h PROFINET 4892
CTRL2_Osupdelay	Overshoot suppression filter: Time delay. The filter is deactivated at a value of 0. In increments of 0.01 ms. Modified settings become active immediately.	ms 0.00 0.00 75.00	UINT16 R/W per. expert	CANopen 3013:F _h Modbus 4894 Profibus 4894 CIP 119.1.15 ModbusTCP 4894 EtherCAT 3013:F _h PROFINET 4894
CTRL2_TAUiref	Filter time constant of the reference current value filter. In the case of switching between the two control loop parameter sets, the values are changed linearly over the time defined in the parameter CTRL_ParChgTime. In increments of 0.01 ms. Modified settings become active immediately.	ms 0.00 0.50 4.00	UINT16 R/W per. -	CANopen 3013:5 _h Modbus 4874 Profibus 4874 CIP 119.1.5 ModbusTCP 4874 EtherCAT 3013:5 _h PROFINET 4874
CTRL2_TAUiref CONF → drC - tAu2	Filter time constant of the reference velocity value filter. In the case of switching between the two control loop parameter sets, the values are changed linearly over the time defined in the parameter CTRL_ParChgTime. In increments of 0.01 ms. Modified settings become active immediately.	ms 0.00 9.00 327.67	UINT16 R/W per. -	CANopen 3013:4 _h Modbus 4872 Profibus 4872 CIP 119.1.4 ModbusTCP 4872 EtherCAT 3013:4 _h PROFINET 4872
CTRL2_TNn CONF → drC - tIn2	Velocity controller integral action time. The default value is calculated. In the case of switching between the two control loop parameter sets, the values are changed linearly over the time defined in the parameter CTRL_ParChgTime. In increments of 0.01 ms. Modified settings become active immediately.	ms 0.00 - 327.67	UINT16 R/W per. -	CANopen 3013:2 _h Modbus 4868 Profibus 4868 CIP 119.1.2 ModbusTCP 4868 EtherCAT 3013:2 _h PROFINET 4868
DCbus_compat	DC bus compatibility LXM32 and ATV32. 0 / No DC bus or LXM32 only: DC bus not used or only LXM32 connected via the DC bus 1 / DC bus with LXM32 and ATV32: LXM32 and ATV32 connected via the DC bus Setting can only be modified if power stage is disabled. Modified settings become active the next time the product is powered on. Available with firmware version ≥V01.03.	- 0 0 1	UINT16 R/W per. -	CANopen 3005:26 _h Modbus 1356 Profibus 1356 CIP 105.1.38 ModbusTCP 1356 EtherCAT 3005:26 _h PROFINET 1356

Parameter name HMI menu HMI name	Description	Unit Minimum value Factory setting Maximum value	Data type R/W Persistent Expert	Parameter address via fieldbus
DCOMcontrol	DriveCom control word. See chapter Operation, Operating States, for bit assignment information. Bit 0: Operating state Switch On Bit 1: Enable Voltage Bit 2: Operating state Quick Stop Bit 3: Enable Operation Bits 4 ... 6: Operating mode-specific Bit 7: Fault Reset Bit 8: Halt Bit 9: Operating mode-specific Bits 10 ... 15: Reserved (must be 0) Modified settings become active immediately.	- - - -	UINT16 R/W - -	CANopen 6040:0 _h Modbus 6914 Profibus 6914 CIP 127.1.1 ModbusTCP 6914 EtherCAT 6040:0 _h PROFINET 6914
DCOMopmode	Operating mode. -6 / Manual Tuning / Autotuning: Manual Tuning or Autotuning -3 / Motion Sequence: Motion Sequence -2 / Electronic Gear: Electronic Gear -1 / Jog: Jog 0 / Reserved: Reserved 1 / Profile Position: Profile Position 3 / Profile Velocity: Profile Velocity 4 / Profile Torque: Profile Torque 6 / Homing: Homing 7 / Interpolated Position: Interpolated Position 8 / Cyclic Synchronous Position: Cyclic Synchronous Position 9 / Cyclic Synchronous Velocity: Cyclic Synchronous Velocity 10 / Cyclic Synchronous Torque: Cyclic Synchronous Torque Modified settings become active immediately. * Datatype for CANopen: INT8	- -6 - 10	INT16* R/W - -	CANopen 6060:0 _h Modbus 6918 Profibus 6918 CIP 127.1.3 ModbusTCP 6918 EtherCAT 6060:0 _h PROFINET 6918
DEVcminterf CONF → RCG - nonE dEVL	Control mode. 1 / Local Control Mode / Local: Local control mode 2 / Fieldbus Control Mode / FbU5: Fieldbus control mode Setting can only be modified if power stage is disabled. Modified settings become active the next time the product is powered on.	- - - -	UINT16 R/W per. -	CANopen 3005:1 _h Modbus 1282 Profibus 1282 CIP 105.1.1 ModbusTCP 1282 EtherCAT 3005:1 _h PROFINET 1282
DI_0_Debounce	Debounce time of DI0. 0 / No: No software debouncing 1 / 0.25 ms: 0.25 ms 2 / 0.50 ms: 0.50 ms 3 / 0.75 ms: 0.75 ms 4 / 1.00 ms: 1.00 ms 5 / 1.25 ms: 1.25 ms 6 / 1.50 ms: 1.50 ms Setting can only be modified if power stage is disabled. Modified settings become active immediately.	- 0 6 6	UINT16 R/W per. -	CANopen 3008:20 _h Modbus 2112 Profibus 2112 CIP 108.1.32 ModbusTCP 2112 EtherCAT 3008:20 _h PROFINET 2112
DI_1_Debounce	Debounce time of DI1. 0 / No: No software debouncing 1 / 0.25 ms: 0.25 ms 2 / 0.50 ms: 0.50 ms 3 / 0.75 ms: 0.75 ms 4 / 1.00 ms: 1.00 ms 5 / 1.25 ms: 1.25 ms 6 / 1.50 ms: 1.50 ms Setting can only be modified if power stage is disabled. Modified settings become active immediately.	- 0 6 6	UINT16 R/W per. -	CANopen 3008:21 _h Modbus 2114 Profibus 2114 CIP 108.1.33 ModbusTCP 2114 EtherCAT 3008:21 _h PROFINET 2114

Parameter name HMI menu HMI name	Description	Unit Minimum value Factory setting Maximum value	Data type R/W Persistent Expert	Parameter address via fieldbus
DI_2_Debounce	Debounce time of DI2. 0 / No: No software debouncing 1 / 0.25 ms: 0.25 ms 2 / 0.50 ms: 0.50 ms 3 / 0.75 ms: 0.75 ms 4 / 1.00 ms: 1.00 ms 5 / 1.25 ms: 1.25 ms 6 / 1.50 ms: 1.50 ms Setting can only be modified if power stage is disabled. Modified settings become active immediately.	- 0 6 6	UINT16 R/W per. -	CANopen 3008:22 _h Modbus 2116 Profibus 2116 CIP 108.1.34 ModbusTCP 2116 EtherCAT 3008:22 _h PROFINET 2116
DI_3_Debounce	Debounce time of DI3. 0 / No: No software debouncing 1 / 0.25 ms: 0.25 ms 2 / 0.50 ms: 0.50 ms 3 / 0.75 ms: 0.75 ms 4 / 1.00 ms: 1.00 ms 5 / 1.25 ms: 1.25 ms 6 / 1.50 ms: 1.50 ms Setting can only be modified if power stage is disabled. Modified settings become active immediately.	- 0 6 6	UINT16 R/W per. -	CANopen 3008:23 _h Modbus 2118 Profibus 2118 CIP 108.1.35 ModbusTCP 2118 EtherCAT 3008:23 _h PROFINET 2118
DI_4_Debounce	Debounce time of DI4. 0 / No: No software debouncing 1 / 0.25 ms: 0.25 ms 2 / 0.50 ms: 0.50 ms 3 / 0.75 ms: 0.75 ms 4 / 1.00 ms: 1.00 ms 5 / 1.25 ms: 1.25 ms 6 / 1.50 ms: 1.50 ms Setting can only be modified if power stage is disabled. Modified settings become active immediately.	- 0 6 6	UINT16 R/W per. -	CANopen 3008:24 _h Modbus 2120 Profibus 2120 CIP 108.1.36 ModbusTCP 2120 EtherCAT 3008:24 _h PROFINET 2120
DI_5_Debounce	Debounce time of DI5. 0 / No: No software debouncing 1 / 0.25 ms: 0.25 ms 2 / 0.50 ms: 0.50 ms 3 / 0.75 ms: 0.75 ms 4 / 1.00 ms: 1.00 ms 5 / 1.25 ms: 1.25 ms 6 / 1.50 ms: 1.50 ms Setting can only be modified if power stage is disabled. Modified settings become active immediately.	- 0 6 6	UINT16 R/W per. -	CANopen 3008:25 _h Modbus 2122 Profibus 2122 CIP 108.1.37 ModbusTCP 2122 EtherCAT 3008:25 _h PROFINET 2122
DPL_Activate	Activation of Drive Profile Lexium. Value 0: Deactivate Drive Profile Lexium Value 1: Activate Drive Profile Lexium The access channel via which the drive profile has been activated is the only access channel that can use the drive profile. Modified settings become active immediately.	- 0 0 1	UINT16 R/W - -	CANopen 301B:8 _h Modbus 6928 Profibus 6928 CIP 127.1.8 ModbusTCP 6928 EtherCAT 301B:8 _h PROFINET 6928
DPL_dmControl	Drive Profile Lexium dmControl.	- - - -	UINT16 R/W - -	CANopen 301B:1F _h Modbus 6974 Profibus 6974 CIP 127.1.31 ModbusTCP 6974 EtherCAT 301B:1F _h PROFINET 6974

Parameter name HMI menu HMI name	Description	Unit Minimum value Factory setting Maximum value	Data type R/W Persistent Expert	Parameter address via fieldbus
DPL_intLim	Setting for bit 9 of _DPL_motionStat and _actionStatus. 0 / None: Not used (reserved) 1 / Current Below Threshold: Current threshold value 2 / Velocity Below Threshold: Velocity threshold value 3 / In Position Deviation Window: Position deviation window 4 / In Velocity Deviation Window: Velocity deviation window 5 / Position Register Channel 1: Position register channel 1 6 / Position Register Channel 2: Position register channel 2 7 / Position Register Channel 3: Position register channel 3 8 / Position Register Channel 4: Position register channel 4 9 / Hardware Limit Switch: Hardware limit switch 10 / RMAC active or finished: Relative movement after capture is active or finished 11 / Position Window: Position window Setting for: Bit 9 of the parameter _actionStatus Bit 9 of the parameter _DPL_motionStat Modified settings become active immediately. Available with firmware version \geq V01.08.	- 0 11 11	UINT16 R/W per. -	CANopen 301B:35 _h Modbus 7018 Profibus 7018 CIP 127.1.53 ModbusTCP 7018 EtherCAT 301B:35 _h PROFINET 7018
DPL_RefA16	Drive Profile Lexium RefA16.	- - - -	INT16 R/W - -	CANopen 301B:22 _h Modbus 6980 Profibus 6980 CIP 127.1.34 ModbusTCP 6980 EtherCAT 301B:22 _h PROFINET 6980
DPL_RefA32	Drive Profile Lexium RefA32.	- - - -	INT32 R/W - -	CANopen 301B:20 _h Modbus 6976 Profibus 6976 CIP 127.1.32 ModbusTCP 6976 EtherCAT 301B:20 _h PROFINET 6976
DPL_RefB32	Drive Profile Lexium RefB32.	- - - -	INT32 R/W - -	CANopen 301B:21 _h Modbus 6978 Profibus 6978 CIP 127.1.33 ModbusTCP 6978 EtherCAT 301B:21 _h PROFINET 6978
DplParChCheckDataTyp	Drive Profile Lexium: Data type verification for write access. 0 / Data Type Verification Off: Data type verification for write access is off 1 / Data Type Verification On: Data type verification for write access is on Modified settings become active immediately. Available with firmware version \geq V01.26.	- 0 0 1	UINT16 R/W per. -	CANopen 3005:39 _h Modbus 1394 Profibus 1394 CIP 105.1.57 ModbusTCP 1394 EtherCAT 3005:39 _h PROFINET 1394

Parameter name HMI menu HMI name	Description	Unit Minimum value Factory setting Maximum value	Data type R/W Persistent Expert	Parameter address via fieldbus
DS402compatib	DS402 state machine: State transition from 3 to 4. 0 / Automatic: Automatic (state transition is performed automatically) 1 / DS402-compliant: DS402-compliant (state transition must be controlled via the fieldbus) Determines the state transition between the states SwitchOnDisabled (3) and ReadyToSwitchOn (4). Setting can only be modified if power stage is disabled. Modified settings become active immediately.	- 0 0 1	UINT16 R/W per. -	CANopen 301B:13 _h Modbus 6950 Profibus 6950 CIP 127.1.19 ModbusTCP 6950 EtherCAT 301B:13 _h PROFINET 6950
DS402intLim	DS402 status word: Setting for bit 11 (internal limit). 0 / None: Not used (reserved) 1 / Current Below Threshold: Current threshold value 2 / Velocity Below Threshold: Velocity threshold value 3 / In Position Deviation Window: Position deviation window 4 / In Velocity Deviation Window: Velocity deviation window 5 / Position Register Channel 1: Position register channel 1 6 / Position Register Channel 2: Position register channel 2 7 / Position Register Channel 3: Position register channel 3 8 / Position Register Channel 4: Position register channel 4 9 / Hardware Limit Switch: Hardware limit switch 10 / RMAC active or finished: Relative movement after capture is active or finished 11 / Position Window: Position window Setting for: Bit 11 of the parameter _DCOMstatus Bit 10 of the parameter _actionStatus Bit 10 of the parameter _DPL_motionStat Modified settings become active immediately.	- 0 0 11	UINT16 R/W per. -	CANopen 301B:1E _h Modbus 6972 Profibus 6972 CIP 127.1.30 ModbusTCP 6972 EtherCAT 301B:1E _h PROFINET 6972
DSM_ShutDownOption CONF → RCG - SDLY	Behavior for disabling the power stage during movement. 0 / Disable Immediately / d i s i : Disable power stage immediately 1 / Disable After Halt / d i s h : Disable power stage after deceleration to standstill This parameter specifies the response to a power stage disable request. Halt is used for deceleration to standstill. Modified settings become active immediately. Available with firmware version ≥V01.26.	- 0 0 1	INT16 R/W per. -	CANopen 605B:0 _h Modbus 1684 Profibus 1684 CIP 106.1.74 ModbusTCP 1684 EtherCAT 605B:0 _h PROFINET 1684
DVNaddress CONF → CAN - dnAd	DeviceNet node address (MAC ID). Modified settings become active the next time the product is powered on.	- 0 63 63	UINT16 R/W per. -	CANopen 3042:1 _h Modbus 16898 Profibus 16898 CIP 166.1.1 ModbusTCP 16898 EtherCAT 3042:1 _h PROFINET 16898
DVNbaud CONF → CAN - dnbd	DeviceNet baud rate. 0 / 125 kBaud / 1 2 5 : 125 kBaud 1 / 250 kBaud / 2 5 0 : 250 kBaud 2 / 500 kBaud / 5 0 0 : 500 kBaud 3 / Autobaud / A u t o : Autobaud Modified settings become active the next time the product is powered on.	- 0 3 3	UINT16 R/W per. -	CANopen 3042:2 _h Modbus 16900 Profibus 16900 CIP 166.1.2 ModbusTCP 16900 EtherCAT 3042:2 _h PROFINET 16900
DVNbuspower	Monitoring of DeviceNet bus power supply. 0 / Off: Monitoring off 1 / On: Monitoring on Modified settings become active immediately.	- 0 1 1	UINT16 R/W per. -	CANopen 3042:3 _h Modbus 16902 Profibus 16902 CIP 166.1.3 ModbusTCP 16902 EtherCAT 3042:3 _h PROFINET 16902

Parameter name HMI menu HMI name	Description	Unit Minimum value Factory setting Maximum value	Data type R/W Persistent Expert	Parameter address via fieldbus
DVNioDataIn	DeviceNet I/O data input. 110 / Position Controller Profile: Position Controller Profile 111 / Standard Assembly: Standard assembly 112 / Extended Assembly: Extended assembly Setting can only be modified if power stage is disabled. Modified settings become active the next time the product is powered on.	- 110 110 112	UINT16 R/W per. -	CANopen 3042:4 _h Modbus 16904 Profibus 16904 CIP 166.1.4 ModbusTCP 16904 EtherCAT 3042:4 _h PROFINET 16904
DVNioDataOut	DeviceNet I/O data output. 100 / Position Controller Profile: Position Controller Profile 101 / Standard Assembly: Standard assembly 102 / Extended Assembly: Extended assembly Setting can only be modified if power stage is disabled. Modified settings become active the next time the product is powered on.	- 100 100 102	UINT16 R/W per. -	CANopen 3042:5 _h Modbus 16906 Profibus 16906 CIP 166.1.5 ModbusTCP 16906 EtherCAT 3042:5 _h PROFINET 16906
ECAT2ndaddress <i>C o n F →</i> <i>C a n -</i> <i>E c 5 A</i>	Value for an EtherCAT Identification. Value for an EtherCAT "Identification" (also known as "Station Alias"), for example, for the EtherCAT function Hot Connect. Modified settings become active the next time the product is powered on.	- 0 0 65535	UINT16 R/W per. -	CANopen 3045:6 _h Modbus 17676 Profibus 17676 CIP 169.1.6 ModbusTCP 17676 EtherCAT 3045:6 _h PROFINET 17676
ENC_abs_source	Source for setting absolute encoder position. 0 / Encoder 1: Absolute position determined from encoder 1 1 / Encoder 2 (module): Absolute position determined from encoder 2 (module) This parameter defines the encoder source which is used to determine the base absolute position after power cycling. If this is set to Encoder 1, the absolute position from encoder 1 is read and copied to the system values of encoder 2. Modified settings become active the next time the product is powered on.	- 0 0 0 1	UINT16 R/W per. -	CANopen 3005:25 _h Modbus 1354 Profibus 1354 CIP 105.1.37 ModbusTCP 1354 EtherCAT 3005:25 _h PROFINET 1354
ENC_ModeOfMaEn c	Selection of mode of machine encoder. 0 / None: Machine encoder is not used for motor control 1 / Position Control: Machine encoder is used for position control 2 / Velocity And Position Control: Machine encoder is used for velocity and position control It is not possible to use the machine encoder for velocity control and the motor encoder for position control. Setting can only be modified if power stage is disabled. Modified settings become active the next time the power stage is enabled.	- 0 1 2	UINT16 R/W per. -	CANopen 3050:2 _h Modbus 20484 Profibus 20484 CIP 180.1.2 ModbusTCP 20484 EtherCAT 3050:2 _h PROFINET 20484

Parameter name HMI menu HMI name	Description	Unit Minimum value Factory setting Maximum value	Data type R/W Persistent Expert	Parameter address via fieldbus
ENC1_adjustment	<p>Adjustment of absolute position of encoder 1. The value range depends on the encoder type.</p> <p>Singleturn encoder: 0 ... x-1</p> <p>Multiturn encoder: 0 ... (4096*x)-1</p> <p>Singleturn encoder (shifted with parameter ShiftEncWorkRang): -(x/2) ... (x/2)-1</p> <p>Multiturn encoder (shifted with parameter ShiftEncWorkRang): -(2048*x) ... (2048*x)-1</p> <p>Definition of 'x': Maximum position for one encoder turn in user-defined units. This value is 16384 with the default scaling.</p> <p>If processing is to be performed with inversion of the direction of movement, this must be set before the encoder position is adjusted. After the write access, a wait time of at least 1 second is required before the drive can be powered off. Modified settings become active the next time the product is powered on.</p>	usr_p - - -	INT32 R/W - -	CANopen 3005:16 _h Modbus 1324 Profibus 1324 CIP 105.1.22 ModbusTCP 1324 EtherCAT 3005:16 _h PROFINET 1324
ENC2_adjustment	<p>Adjustment of absolute position of encoder 2. The value range depends on the encoder type at the physical port ENC2.</p> <p>This parameter can only be changed if the parameter ENC_abs_source is set to 'Encoder 2'.</p> <p>Singleturn encoder: 0 ... x-1</p> <p>Multiturn encoder: 0 ... (y*x)-1</p> <p>Singleturn encoder (shifted with parameter ShiftEncWorkRang): -(x/2) ... (x/2)-1</p> <p>Multiturn encoder (shifted with parameter ShiftEncWorkRang): -(y/2)*x ... ((y/2)*x)-1</p> <p>Definition of 'x': Maximum position for one encoder turn in user-defined units. This value is 16384 with the default scaling. Definition of 'y': Revolutions of the multiturn encoder.</p> <p>If processing is to be performed with inversion of the direction of movement, this must be set before the encoder position is adjusted. After the write access, the parameter values have to be saved to the nonvolatile memory and the drive has to be powered off, before the change becomes active. Modified settings become active the next time the product is powered on. Available with firmware version \geqV01.01.</p>	usr_p - - -	INT32 R/W - -	CANopen 3005:24 _h Modbus 1352 Profibus 1352 CIP 105.1.36 ModbusTCP 1352 EtherCAT 3005:24 _h PROFINET 1352

Parameter name HMI menu HMI name	Description	Unit Minimum value Factory setting Maximum value	Data type R/W Persistent Expert	Parameter address via fieldbus
ENC2_type	Type of encoder at encoder 2 (module). 0 / None: Undefined 1 / SinCos Hiperface (rotary): SinCos Hiperface (rotary) 2 / SinCos 1Vpp (rotary): SinCos 1Vpp (rotary) 3 / Sincos 1Vpp Hall (rotary): SinCos 1Vpp Hall (rotary) 5 / EnDat 2.2 (rotary): EnDat 2.2 (rotary) 6 / Resolver: Resolver 8 / BISS: BISS 9 / A/B/I (rotary): A/B/I (rotary) 10 / SSI (rotary): SSI (rotary) 257 / SinCos Hiperface (linear): SinCos Hiperface (linear) 258 / SinCos 1Vpp (linear): SinCos 1Vpp (linear) 259 / SinCos 1Vpp Hall (linear): SinCos 1Vpp Hall (linear) 261 / EnDat 2.2 (linear): EnDat 2.2 (linear) 265 / A/B/I (linear): A/B/I (linear) 266 / SSI (linear): SSI (linear) Setting can only be modified if power stage is disabled. Modified settings become active the next time the product is powered on.	- 0 0 266	UINT16 R/W per. -	CANopen 3050:3 _h Modbus 20486 Profibus 20486 CIP 180.1.3 ModbusTCP 20486 EtherCAT 3050:3 _h PROFINET 20486
ENC2_usage	Type of usage of encoder 2 (module). 0 / None: Undefined 1 / Motor: Configured as motor encoder 2 / Machine: Configured as machine encoder If the parameter is set to "Motor", encoder 1 has no functionality. Setting can only be modified if power stage is disabled. Modified settings become active the next time the product is powered on.	- 0 0 2	UINT16 R/W per. -	CANopen 3050:1 _h Modbus 20482 Profibus 20482 CIP 180.1.1 ModbusTCP 20482 EtherCAT 3050:1 _h PROFINET 20482
ENCAnaPowSupply	Power supply encoder module ANA (analog interface). 5 / 5V: 5 V supply voltage 12 / 12V: 12 V supply voltage Power supply of the analog encoder only if the encoder is used as a machine encoder supplying 1Vpp encoder signals. This parameter is not used for Hiperface encoders. Hiperface encoders are supplied with 12 V. Setting can only be modified if power stage is disabled. Modified settings become active the next time the product is powered on. Available with firmware version \geq V01.01.	- 5 5 12	UINT16 R/W per. -	CANopen 3051:2 _h Modbus 20740 Profibus 20740 CIP 181.1.2 ModbusTCP 20740 EtherCAT 3051:2 _h PROFINET 20740
ENCDigABIMaxFreq	ABI maximum frequency. The maximum possible ABI frequency is encoder-specific (specified by the encoder manufacturer). The encoder module DIG supports a maximum ABI frequency of 1 MHz (this is the default and maximum value of ENCDigABIMaxFreq). An ABI frequency of 1 MHz means that there are 4000000 encoder increments in 1 second. Setting can only be modified if power stage is disabled. Modified settings become active the next time the product is powered on. Available with firmware version \geq V01.01.	kHz 1 1000 1000	UINT16 R/W per. -	CANopen 3052:6 _h Modbus 21004 Profibus 21004 CIP 182.1.6 ModbusTCP 21004 EtherCAT 3052:6 _h PROFINET 21004

Parameter name HMI menu HMI name	Description	Unit Minimum value Factory setting Maximum value	Data type R/W Persistent Expert	Parameter address via fieldbus
ENCDigABImaxIx	<p>ABI maximum distance for index pulse search.</p> <p>In the case of a reference movement to the index pulse, ENCDigABImaxIx contains the maximum distance within which the index pulse must be found. If no physical index pulse is found over this range, an error message is generated.</p> <p>Example: A rotary ABI encoder with one index pulse per revolution is connected. The resolution of the encoder is 8000 encoder increments per revolution (this value can be determined using parameter <code>_Inc_Enc2Raw</code>. <code>_Inc_Enc2Raw</code> and ENCDigABImaxIx have the same scaling). The maximum distance necessary for a reference movement to the index pulse is one revolution. This means that ENCDigABImaxIx should be set to 8000. Internally, a tolerance of 10% is added. This means that during a reference movement to the index pulse, an index pulse must be found within 8800 encoder increments.</p> <p>Setting can only be modified if power stage is disabled. Modified settings become active immediately. Available with firmware version $\geq V01.01$.</p>	EncInc 1 10000 2147483647	INT32 R/W per. -	CANopen 3052:7 _h Modbus 21006 Profibus 21006 CIP 182.1.7 ModbusTCP 21006 EtherCAT 3052:7 _h PROFINET 21006
ENCDigBISSCoding	<p>Position coding of BISS encoder.</p> <p>0 / binary: Binary coding 1 / gray: Gray coding</p> <p>This parameter defines the type of position coding of the BISS encoder.</p> <p>Setting can only be modified if power stage is disabled. Modified settings become active the next time the product is powered on. Available with firmware version $\geq V01.01$.</p>	- 0 0 1	UINT16 R/W per. -	CANopen 3052:A _h Modbus 21012 Profibus 21012 CIP 182.1.10 ModbusTCP 21012 EtherCAT 3052:A _h PROFINET 21012
ENCDigBISSResMult	<p>BISS multiturn resolution.</p> <p>This parameter is only relevant for BISS encoders (singleturn and multiturn). If a singleturn BISS encoder is used, ENCDigBISSResMult must be set to 0.</p> <p>Example: If ENCDigBISSResMult is set to 12, the number of turns of the encoder used must be $2^{12} = 4096$.</p> <p>The sum of ENCDigBISSResMult + ENCDigBISSResSgl must be less than or equal to 46 bits.</p> <p>Setting can only be modified if power stage is disabled. Modified settings become active the next time the product is powered on. Available with firmware version $\geq V01.01$.</p>	bit 0 0 24	UINT16 R/W per. -	CANopen 3052:9 _h Modbus 21010 Profibus 21010 CIP 182.1.9 ModbusTCP 21010 EtherCAT 3052:9 _h PROFINET 21010
ENCDigBISSResSgl	<p>BISS singleturn resolution.</p> <p>This parameter is only relevant for BISS encoders (singleturn and multiturn).</p> <p>Example: If ENCDigBISSResSgl is set to 13, an BISS encoder with a singleturn resolution of $2^{13} = 8192$ increments must be used. If a multiturn encoder is used, the sum of ENCDigBISSResMult + ENCDigBISSResSgl must be less than or equal to 46 bits.</p> <p>Setting can only be modified if power stage is disabled. Modified settings become active the next time the product is powered on. Available with firmware version $\geq V01.01$.</p>	bit 8 13 25	UINT16 R/W per. -	CANopen 3052:8 _h Modbus 21008 Profibus 21008 CIP 182.1.8 ModbusTCP 21008 EtherCAT 3052:8 _h PROFINET 21008
ENCDigLinBitsUsed	<p>Linear encoder: Number of bits of the position resolution used.</p> <p>Specifies the number of bits of the position resolution used for position evaluation.</p> <p>If ENCDigLinBitsUsed = 0, all position bits of the position resolution of the encoder are used.</p> <p>Example: If ENCDigLinBitsUsed = 22, only 22 bits of the position resolution of the encoder are used.</p> <p>Setting can only be modified if power stage is disabled. Modified settings become active the next time the product is powered on. Available with firmware version $\geq V01.26$.</p>	bit 0 0 31	UINT16 R/W per. -	CANopen 3052:E _h Modbus 21020 Profibus 21020 CIP 182.1.14 ModbusTCP 21020 EtherCAT 3052:E _h PROFINET 21020

Parameter name HMI menu HMI name	Description	Unit Minimum value Factory setting Maximum value	Data type R/W Persistent Expert	Parameter address via fieldbus
ENCDigPowSupply	Power supply encoder module DIG (digital interface). 5 / 5V : 5 V supply voltage 12 / 12V : 12 V supply voltage Power supply of the digital encoder. Setting can only be modified if power stage is disabled. Modified settings become active the next time the product is powered on. Available with firmware version $\geq V01.01$.	- 5 5 12	UINT16 R/W per. -	CANopen 3052:4 _h Modbus 21000 Profibus 21000 CIP 182.1.4 ModbusTCP 21000 EtherCAT 3052:4 _h PROFINET 21000
ENCDigResMulUsed	Number of bits of the multiturn resolution used from the encoder. Specifies the number of bits of the multiturn resolution used for position evaluation. If ENCDigResMulUsed = 0, all bits of the multiturn resolution of the encoder are used. Example: If ENCDigResMulUsed = 11, only 11 bits of the multiturn resolution of the encoder are used. Setting can only be modified if power stage is disabled. Modified settings become active the next time the product is powered on. Available with firmware version $\geq V01.03$.	bit 0 0 24	UINT16 R/W per. -	CANopen 3052:B _h Modbus 21014 Profibus 21014 CIP 182.1.11 ModbusTCP 21014 EtherCAT 3052:B _h PROFINET 21014
ENCDigSSICoding	Position coding of SSI encoder. 0 / binary : Binary coding 1 / gray : Gray coding This parameter defines the type of position coding of the SSI encoder. Setting can only be modified if power stage is disabled. Modified settings become active the next time the product is powered on. Available with firmware version $\geq V01.01$.	- 0 0 1	UINT16 R/W per. -	CANopen 3052:3 _h Modbus 20998 Profibus 20998 CIP 182.1.3 ModbusTCP 20998 EtherCAT 3052:3 _h PROFINET 20998
ENCDigSSILinAdd	SSI encoder additional bits (linear). This parameter is used to set the number of resolution bits of a linear SSI encoder. The total number of resolution bits (ENCDigSSILinRes) and additional bits (ENCDigSSILinAdd) is limited to 32. Setting can only be modified if power stage is disabled. Modified settings become active the next time the product is powered on. Available with firmware version $\geq V01.26$.	bit 0 0 3	UINT16 R/W per. -	CANopen 3052:D _h Modbus 21018 Profibus 21018 CIP 182.1.13 ModbusTCP 21018 EtherCAT 3052:D _h PROFINET 21018
ENCDigSSILinRes	SSI encoder resolution bits (linear). This parameter is used to set the number of resolution bits of a linear SSI encoder. The total number of resolution bits (ENCDigSSILinRes) and additional bits (ENCDigSSILinAdd) is limited to 32. Setting can only be modified if power stage is disabled. Modified settings become active the next time the product is powered on. Available with firmware version $\geq V01.26$.	bit 8 24 32	UINT16 R/W per. -	CANopen 3052:C _h Modbus 21016 Profibus 21016 CIP 182.1.12 ModbusTCP 21016 EtherCAT 3052:C _h PROFINET 21016
ENCDigSSIMaxFreq	SSI maximum transfer frequency. This parameter is used to set the SSI transfer frequency for SSI encoders (singleturn and multiturn). The SSI transfer frequency depends on the encoder (maximum frequency specified by the encoder manufacturer) and on the length of the encoder cable. The encoder module supports SSI transfer frequencies of 200 kHz and 1000 kHz. If your SSI encoder supports a maximum frequency of 1000 kHz, set the value of this parameter to 1000. If the length of the encoder cable in your system exceeds 50 m, set the value of this parameter to 200, regardless of the maximum possible frequency specified by the encoder manufacturer. Setting can only be modified if power stage is disabled. Modified settings become active the next time the product is powered on. Available with firmware version $\geq V01.01$.	kHz 200 200 1000	UINT16 R/W per. -	CANopen 3052:5 _h Modbus 21002 Profibus 21002 CIP 182.1.5 ModbusTCP 21002 EtherCAT 3052:5 _h PROFINET 21002

Parameter name HMI menu HMI name	Description	Unit Minimum value Factory setting Maximum value	Data type R/W Persistent Expert	Parameter address via fieldbus
ENCDigSSIResMult	SSI multiturn resolution (rotary). This parameter is only relevant for SSI encoders (singleturn and multiturn). If a singleturn SSI encoder is used, ENCDigSSIResMult must be set to 0. Example: If ENCDigSSIResMult is set to 12, the number of turns of the encoder used must be $2^{12} = 4096$. The sum of ENCDigSSIResMult + ENCDigSSIResSgl must be less than or equal to 32 bits. Setting can only be modified if power stage is disabled. Modified settings become active the next time the product is powered on. Available with firmware version $\geq V01.01$.	bit 0 0 24	UINT16 R/W per. -	CANopen 3052:2 _h Modbus 20996 Profibus 20996 CIP 182.1.2 ModbusTCP 20996 EtherCAT 3052:2 _h PROFINET 20996
ENCDigSSIResSgl	SSI singleturn resolution (rotary). This parameter is only relevant for SSI encoders (singleturn and multiturn). Example: If ENCDigSSIResSgl is set to 13, an SSI encoder with a singleturn resolution of $2^{13} = 8192$ increments must be used. If a multiturn encoder is used, the sum of ENCDigSSIResMult + ENCDigSSIResSgl must be less than or equal to 32 bits. Setting can only be modified if power stage is disabled. Modified settings become active the next time the product is powered on. Available with firmware version $\geq V01.01$.	bit 8 13 25	UINT16 R/W per. -	CANopen 3052:1 _h Modbus 20994 Profibus 20994 CIP 182.1.1 ModbusTCP 20994 EtherCAT 3052:1 _h PROFINET 20994
ENCSinCosMaxIx	Maximum distance for search for index pulse for SinCos encoder. The parameter specifies the maximum number of periods during which the index pulse must be found (search range). A tolerance of 10 % is added to this value. If no index pulse is found within this range (including the 10% tolerance), an error message is generated. Setting can only be modified if power stage is disabled. Modified settings become active immediately. Available with firmware version $\geq V01.01$.	- 1 1024 2147483647	INT32 R/W per. -	CANopen 3051:4 _h Modbus 20744 Profibus 20744 CIP 181.1.4 ModbusTCP 20744 EtherCAT 3051:4 _h PROFINET 20744
ERR_clear	Clear error memory. Value 1: Delete entries in the error memory The clearing process is completed if a 0 is returned after a read access. Modified settings become active immediately.	- 0 - 1	UINT16 R/W - -	CANopen 303B:4 _h Modbus 15112 Profibus 15112 CIP 159.1.4 ModbusTCP 15112 EtherCAT 303B:4 _h PROFINET 15112
ERR_reset	Reset error memory read pointer. Value 1: Set error memory read pointer to oldest error entry. Modified settings become active immediately.	- 0 - 1	UINT16 R/W - -	CANopen 303B:5 _h Modbus 15114 Profibus 15114 CIP 159.1.5 ModbusTCP 15114 EtherCAT 303B:5 _h PROFINET 15114
ErrorResp_bit_DE	Error response to detected data error (DE bit). -1 / No Error Response: No error response 0 / Error Class 0: Error class 0 1 / Error Class 1: Error class 1 2 / Error Class 2: Error class 2 3 / Error Class 3: Error class 3 For the Drive Profile Lexium, the error response to a detected data error (DE bit) can be parameterized. For EtherCAT RxPDO data error handling, this parameter is also used to classify the error response.	- -1 -1 3	INT16 R/W per. -	CANopen 301B:6 _h Modbus 6924 Profibus 6924 CIP 127.1.6 ModbusTCP 6924 EtherCAT 301B:6 _h PROFINET 6924

Parameter name HMI menu HMI name	Description	Unit Minimum value Factory setting Maximum value	Data type R/W Persistent Expert	Parameter address via fieldbus
ErrorResp_bit_ME	Error response to detected mode error (ME bit). -1 / No Error Response: No error response 0 / Error Class 0: Error class 0 1 / Error Class 1: Error class 1 2 / Error Class 2: Error class 2 3 / Error Class 3: Error class 3 For the Drive Profile Lexium, the error response to a detected mode error (ME bit) can be parameterized.	- -1 -1 3	INT16 R/W per. -	CANopen 301B:7 _h Modbus 6926 Profibus 6926 CIP 127.1.7 ModbusTCP 6926 EtherCAT 301B:7 _h PROFINET 6926
ErrorResp_Flt_AC	Error response to missing mains phase. 0 / Error Class 0: Error class 0 1 / Error Class 1: Error class 1 2 / Error Class 2: Error class 2 3 / Error Class 3: Error class 3 Setting can only be modified if power stage is disabled. Modified settings become active the next time the power stage is enabled.	- 0 2 3	UINT16 R/W per. -	CANopen 3005:A _h Modbus 1300 Profibus 1300 CIP 105.1.10 ModbusTCP 1300 EtherCAT 3005:A _h PROFINET 1300
ErrorResp_I2tRES	Error response to 100% I2t braking resistor. 0 / Error Class 0: Error class 0 1 / Error Class 1: Error class 1 2 / Error Class 2: Error class 2 Setting can only be modified if power stage is disabled. Modified settings become active the next time the power stage is enabled.	- 0 0 2	UINT16 R/W per. -	CANopen 3005:22 _h Modbus 1348 Profibus 1348 CIP 105.1.34 ModbusTCP 1348 EtherCAT 3005:22 _h PROFINET 1348
ErrorResp_p_diff	Error response to excessively high load-dependent position deviation. 1 / Error Class 1: Error class 1 2 / Error Class 2: Error class 2 3 / Error Class 3: Error class 3 Setting can only be modified if power stage is disabled. Modified settings become active the next time the power stage is enabled.	- 1 3 3	UINT16 R/W per. -	CANopen 3005:B _h Modbus 1302 Profibus 1302 CIP 105.1.11 ModbusTCP 1302 EtherCAT 3005:B _h PROFINET 1302
ErrorResp_PDifEncM	Error response to position deviation motor encoder and machine encoder exceeded. 1 / Error Class 1: Error class 1 2 / Error Class 2: Error class 2 3 / Error Class 3: Error class 3 Setting can only be modified if power stage is disabled. Modified settings become active the next time the power stage is enabled. Available with firmware version \geq V01.26.	- 0 3 3	UINT16 R/W per. -	CANopen 3005:3B _h Modbus 1398 Profibus 1398 CIP 105.1.59 ModbusTCP 1398 EtherCAT 3005:3B _h PROFINET 1398
ErrorResp_QuasiAbs	Error response to detected error with quasi absolute position. 3 / Error Class 3: Error class 3 4 / Error Class 4: Error class 4 Setting can only be modified if power stage is disabled. Modified settings become active the next time the power stage is enabled. Available with firmware version \geq V01.26.	- 3 3 4	UINT16 R/W per. -	CANopen 3005:3A _h Modbus 1396 Profibus 1396 CIP 105.1.58 ModbusTCP 1396 EtherCAT 3005:3A _h PROFINET 1396
ErrorResp_v_diff	Error response to excessively high load-dependent velocity deviation. 1 / Error Class 1: Error class 1 2 / Error Class 2: Error class 2 3 / Error Class 3: Error class 3 Setting can only be modified if power stage is disabled. Modified settings become active the next time the power stage is enabled. Available with firmware version \geq V01.26.	- 1 3 3	UINT16 R/W per. -	CANopen 3005:3C _h Modbus 1400 Profibus 1400 CIP 105.1.60 ModbusTCP 1400 EtherCAT 3005:3C _h PROFINET 1400

Parameter name HMI menu HMI name	Description	Unit Minimum value Factory setting Maximum value	Data type R/W Persistent Expert	Parameter address via fieldbus
ErrResp_HeartB_LifeG	CANopen error response to detected Heartbeat or Life Guarding error. 1 / Error Class 1: Error class 1 2 / Error Class 2: Error class 2 3 / Error Class 3: Error class 3 Setting can only be modified if power stage is disabled. Modified settings become active the next time the power stage is enabled. Available with firmware version \geq V01.30.	- 1 2 3	UINT16 R/W per. -	CANopen 3041:11 _h Modbus 16674 Profibus 16674 CIP 165.1.17 ModbusTCP 16674 EtherCAT 3041:11 _h PROFINET 16674
ESIM_HighResolution	Encoder simulation: High resolution. Specifies the number of increments per revolution with 12 bit decimal places. If the parameter is set to a multiple of 4096, the index pulse will be generated exactly at the same position within one revolution. The setting of parameter ESIM_scale is only used if parameter ESIM_HighResolution is set to 0. Otherwise, the setting of ESIM_HighResolution is used. Example: 1417.322835 encoder simulation pulses per revolution are required. Set the parameter to $1417.322835 * 4096 = 5805354$. In this example, the index pulse will be generated exactly after every 1417 pulses. This means that the index pulse shifts with each revolution. Setting can only be modified if power stage is disabled. Modified settings become active the next time the product is powered on.	Enclnc 0 0 268431360	UINT32 R/W per. expert	CANopen 3005:32 _h Modbus 1380 Profibus 1380 CIP 105.1.50 ModbusTCP 1380 EtherCAT 3005:32 _h PROFINET 1380
ESIM_PhaseShift	Encoder simulation: Phase shift for pulse output. The generated encoder simulation pulses can be shifted in units of 1/4096 encoder pulses. The shift results in a position offset at PTO. The index pulse is shifted as well. Modified settings become active immediately. Available with firmware version \geq V01.10.	- -32768 0 32767	INT16 R/W - expert	CANopen 3005:33 _h Modbus 1382 Profibus 1382 CIP 105.1.51 ModbusTCP 1382 EtherCAT 3005:33 _h PROFINET 1382
ESIM_scale CONF → 1 - 0 - E S S C	Resolution of encoder simulation. Resolution defines the number of increments per revolution (AB signal with quadruple evaluation). The index pulse is created once per revolution at an interval where signal A and signal B are high. Setting can only be modified if power stage is disabled. Modified settings become active the next time the product is powered on.	Enclnc 8 4096 65535	UINT16 R/W per. -	CANopen 3005:15 _h Modbus 1322 Profibus 1322 CIP 105.1.21 ModbusTCP 1322 EtherCAT 3005:15 _h PROFINET 1322
eSM_BaseSetting	eSM basic settings. None: No function Auto Start: Automatic start (ESMSTART) Ignore GUARD_ACK: GUARD_ACK inactive Ignore INTERLOCK_IN: INTERLOCK chain inactive Setting can only be modified if power stage is disabled. Available with firmware version \geq V01.01.	- - - -	UINT16 R/W per. -	-
eSM_dec_NC	eSM deceleration ramp. Deceleration ramp for monitored deceleration Value 0: Disabled, no monitoring of deceleration ramp Value >0: Deceleration ramp in RPM/s Setting can only be modified if power stage is disabled. Available with firmware version \geq V01.01.	RPM/s 0 0 32786009	UINT32 R/W per. -	-

Parameter name HMI menu HMI name	Description	Unit Minimum value Factory setting Maximum value	Data type R/W Persistent Expert	Parameter address via fieldbus
eSM_dec_Qstop	eSM deceleration ramp for Quick Stop. Deceleration ramp for monitored Quick Stop. This value must be greater than 0. Value 0: eSM module is not configured Value >0: Deceleration ramp in RPM/s Setting can only be modified if power stage is disabled. Available with firmware version ≥V01.01.	RPM/s 0 0 32786009	UINT32 R/W per. -	-
eSM_disable	eSM disable. Value 0: No action Value 1: Force a change of eSM state 6 to eSM state 3 Available with firmware version ≥V01.01.	- - - -	UINT16 R/W - -	CANopen 304C:1A _h Modbus 19508 Profibus 19508 CIP 176.1.26 ModbusTCP 19508 EtherCAT 304C:1A _h PROFINET 19508
eSM_FuncAUXOUT 1	eSM function of status output AUXOUT1. None: No function /ESTOP: Signal state /ESTOP GUARD: Signal state GUARD SETUPMODE: Signal state SETUPMODE SETUPENABLE: Signal state SETUPENABLE GUARD_ACK: Signal state GUARD_ACK /INTERLOCK_IN: Signal state /INTERLOCK_IN STO by eSM: Signal state of internal STO RELAY: Signal state RELAY /INTERLOCK_OUT: Signal state /INTERLOCK_OUT Standstill: Standstill (v = 0) SLS: SLS Error class 4: Error of error class 4 detected Error class 1 ... 4: Error of error classes 1 ... 4 detected /ESTOP inv.: Signal state /ESTOP, inverted GUARD inv.: Signal state GUARD, inverted SETUPMODE inv.: Signal state SETUPMODE, inverted SETUPENABLE inv.: Signal state SETUPENABLE, inverted GUARD_ACK inv.: Signal state GUARD_ACK, inverted /INTERLOCK_IN inv.: Signal state /INTERLOCK_IN, inverted STO by eSM inv.: Signal state of internal STO, inverted RELAY inv.: Signal state RELAY, inverted /INTERLOCK_OUT inv.: Signal state /INTERLOCK_OUT, inverted Standstill inv.: Standstill, inverted SLS inv.: SLS, inverted Error class 4 inv.: Error of error class 4 detected (inverted) Error class 1 ... 4 inv.: Error of error classes 1 ... 4 detected (inverted) Setting can only be modified if power stage is disabled. Available with firmware version ≥V01.01.	- - - -	UINT32 R/W per. -	-

Parameter name HMI menu HMI name	Description	Unit Minimum value Factory setting Maximum value	Data type R/W Persistent Expert	Parameter address via fieldbus
eSM_FuncAUXOUT 2	<p>eSM function of status output AUXOUT2.</p> <p>None: No function</p> <p>/ESTOP: Signal state /ESTOP</p> <p>GUARD: Signal state GUARD</p> <p>SETUPMODE: Signal state SETUPMODE</p> <p>SETUPENABLE: Signal state SETUPENABLE</p> <p>GUARD_ACK: Signal state GUARD_ACK</p> <p>/INTERLOCK_IN: Signal state /INTERLOCK_IN</p> <p>STO by eSM: Signal state of internal STO</p> <p>RELAY: Signal state RELAY</p> <p>/INTERLOCK_OUT: Signal state /INTERLOCK_OUT</p> <p>Standstill: Standstill (v = 0)</p> <p>SLS: SLS</p> <p>Error class 4: Error of error class 4 detected</p> <p>Error class 1 ... 4: Error of error classes 1 ... 4 occurred</p> <p>/ESTOP inv.: Signal state /ESTOP, inverted</p> <p>GUARD inv.: Signal state GUARD, inverted</p> <p>SETUPMODE inv.: Signal state SETUPMODE, inverted</p> <p>SETUPENABLE inv.: Signal state SETUPENABLE, inverted</p> <p>GUARD_ACK inv.: Signal state GUARD_ACK, inverted</p> <p>/INTERLOCK_IN inv.: Signal state /INTERLOCK_IN, inverted</p> <p>STO by eSM inv.: Signal state of internal STO, inverted</p> <p>RELAY inv.: Signal state RELAY, inverted</p> <p>/INTERLOCK_OUT inv.: Signal state /INTERLOCK_OUT, inverted</p> <p>Standstill inv.: Standstill, inverted</p> <p>SLS inv.: SLS, inverted</p> <p>Error class 4 inv.: Error of error class 4 detected (inverted)</p> <p>Error class 1 ... 4 inv.: Error of error classes 1 ... 4 detected (inverted)</p> <p>Setting can only be modified if power stage is disabled.</p> <p>Available with firmware version \geqV01.01.</p>	- - - -	UINT32 R/W per. -	-
eSM_FuncSwitches	<p>eSM switches for functions.</p> <p>None: No function</p> <p>DirectionDependentSLS: SLS dependent on direction of movement</p> <p>Reserved (Bit 1): Reserved (bit 1)</p> <p>Reserved (Bit 2): Reserved (bit 2)</p> <p>Reserved (Bit 3): Reserved (bit 3)</p> <p>Reserved (Bit 4): Reserved (bit 4)</p> <p>Reserved (Bit 5): Reserved (bit 5)</p> <p>Available as of firmware version safety module eSM \geqV01.01.</p> <p>Bit 0 = 0: SLS independent of direction of movement</p> <p>Bit 0 = 1: SLS dependent on direction of movement</p> <p>Bits 1 ... 15: Reserved (must be set to 0)</p> <p>Setting can only be modified if power stage is disabled.</p> <p>Available with firmware version \geqV01.01.</p>	- 0 0 63	UINT16 R/W per. -	-
eSM_LO_mask	<p>eSM digital outputs channel B mask.</p> <p>Mask of active digital outputs</p> <p>0: Digital output is not active</p> <p>1: Digital output is active</p> <p>Bit assignments: See digital outputs channel.</p> <p>Available with firmware version \geqV01.01.</p>	- - -	UINT16 R/W - -	CANopen 304C:15 _h Modbus 19498 Profibus 19498 CIP 176.1.21 ModbusTCP 19498 EtherCAT 304C:15 _h PROFINET 19498
eSM_SLSnegDirS	<p>eSM speed limit negative direction machine operating mode Setup Mode.</p> <p>Firmware version safety module eSM \geqV01.01.</p> <p>Parameter eSM_FuncSwitches Bit 0 = 1: Value = Monitored speed limit for negative direction of movement.</p> <p>Setting can only be modified if power stage is disabled.</p> <p>Available with firmware version \geqV01.01.</p>	RPM 0 0 8000	UINT16 R/W per. -	-

Parameter name HMI menu HMI name	Description	Unit Minimum value Factory setting Maximum value	Data type R/W Persistent Expert	Parameter address via fieldbus
eSM_t_NCDel	eSM time delay until start of monitored deceleration. This time can be adjusted to meet the requirements of a PLC. Setting can only be modified if power stage is disabled. Available with firmware version \geq V01.01.	ms 0 0 10000	UINT16 R/W per. -	-
eSM_t_Relay	eSM deactivation of output RELAY. Deactivation of the digital output RELAY: Value 0: Immediate, no time delay Value 1: At motor standstill (v = 0) Value 2: At motor standstill (v = 0) and INTERLOCK_OUT = 1 Value >2: Time delay in ms, deactivation of output after this time has passed Setting can only be modified if power stage is disabled. Available with firmware version \geq V01.01.	ms 0 0 10000	UINT16 R/W per. -	-
eSM_v_maxAuto	eSM speed limit for machine operating mode Automatic Mode. This value sets the speed limit for monitoring in machine operating mode Automatic Mode. Value 0: The speed limit is not monitored Value >0: Monitored speed limit Setting can only be modified if power stage is disabled. Available with firmware version \geq V01.01.	RPM 0 0 8000	UINT16 R/W per. -	-
eSM_v_maxSetup	eSM speed limit for machine operating mode Setup Mode. This value sets the speed limit for monitoring in machine operating mode Setup Mode. Firmware version safety module eSM \geq V01.01: Parameter eSM_FuncSwitches Bit 0 = 0: Value = Monitored speed limit for positive and negative directions of movement. Parameter eSM_FuncSwitches Bit 0 = 1: Value = Monitored speed limit for positive direction of movement. Setting can only be modified if power stage is disabled. Available with firmware version \geq V01.01.	RPM 0 0 8000	UINT16 R/W per. -	-
EthIPgate1 ConF → Con - ,PG1	IP address gateway, byte 1. Modified settings become active the next time the product is powered on.	- 0 0 255	UINT16 R/W per. -	CANopen 3044:F _h Modbus 17438 Profibus 17438 CIP 168.1.15 ModbusTCP 17438 EtherCAT 3044:F _h PROFINET 17438
EthIPgate2 ConF → Con - ,PG2	IP address gateway, byte 2. Modified settings become active the next time the product is powered on.	- 0 0 255	UINT16 R/W per. -	CANopen 3044:10 _h Modbus 17440 Profibus 17440 CIP 168.1.16 ModbusTCP 17440 EtherCAT 3044:10 _h PROFINET 17440
EthIPgate3 ConF → Con - ,PG3	IP address gateway, byte 3. Modified settings become active the next time the product is powered on.	- 0 0 255	UINT16 R/W per. -	CANopen 3044:11 _h Modbus 17442 Profibus 17442 CIP 168.1.17 ModbusTCP 17442 EtherCAT 3044:11 _h PROFINET 17442

Parameter name HMI menu HMI name	Description	Unit Minimum value Factory setting Maximum value	Data type R/W Persistent Expert	Parameter address via fieldbus
EthIPgate4 CONF → CON - ,PG4	IP address gateway, byte 4. Modified settings become active the next time the product is powered on.	- 0 0 255	UINT16 R/W per. -	CANopen 3044:12 _h Modbus 17444 Profibus 17444 CIP 168.1.18 ModbusTCP 17444 EtherCAT 3044:12 _h PROFINET 17444
EthIPmask1 CONF → CON - ,PN1	IP address subnet mask, byte 1. Modified settings become active the next time the product is powered on.	- 0 255 255	UINT16 R/W per. -	CANopen 3044:B _h Modbus 17430 Profibus 17430 CIP 168.1.11 ModbusTCP 17430 EtherCAT 3044:B _h PROFINET 17430
EthIPmask2 CONF → CON - ,PN2	IP address subnet mask, byte 2. Modified settings become active the next time the product is powered on.	- 0 255 255	UINT16 R/W per. -	CANopen 3044:C _h Modbus 17432 Profibus 17432 CIP 168.1.12 ModbusTCP 17432 EtherCAT 3044:C _h PROFINET 17432
EthIPmask3 CONF → CON - ,PN3	IP address subnet mask, byte 3. Modified settings become active the next time the product is powered on.	- 0 255 255	UINT16 R/W per. -	CANopen 3044:D _h Modbus 17434 Profibus 17434 CIP 168.1.13 ModbusTCP 17434 EtherCAT 3044:D _h PROFINET 17434
EthIPmask4 CONF → CON - ,PN4	IP address subnet mask, byte 4. Modified settings become active the next time the product is powered on.	- 0 0 255	UINT16 R/W per. -	CANopen 3044:E _h Modbus 17436 Profibus 17436 CIP 168.1.14 ModbusTCP 17436 EtherCAT 3044:E _h PROFINET 17436
EthIPmaster1	IP address master, byte 1. IP address of the master that is permitted to perform Modbus TCP I/O scanning. If set to 0.0.0.0 (default), any master can perform I/O scanning. Setting can only be modified if power stage is disabled. Modified settings become active immediately.	- 0 0 255	UINT16 R/W per. -	CANopen 3044:29 _h Modbus 17490 Profibus 17490 CIP 168.1.41 ModbusTCP 17490 EtherCAT 3044:29 _h PROFINET 17490
EthIPmaster2	IP address master, byte 2. Setting can only be modified if power stage is disabled. Modified settings become active immediately.	- 0 0 255	UINT16 R/W per. -	CANopen 3044:2A _h Modbus 17492 Profibus 17492 CIP 168.1.42 ModbusTCP 17492 EtherCAT 3044:2A _h PROFINET 17492

Parameter name HMI menu HMI name	Description	Unit Minimum value Factory setting Maximum value	Data type R/W Persistent Expert	Parameter address via fieldbus
EthIPmaster3	IP address master, byte 3. Setting can only be modified if power stage is disabled. Modified settings become active immediately.	- 0 0 255	UINT16 R/W per. -	CANopen 3044:2B _h Modbus 17494 Profibus 17494 CIP 168.1.43 ModbusTCP 17494 EtherCAT 3044:2B _h PROFINET 17494
EthIPmaster4	IP address master, byte 4. Setting can only be modified if power stage is disabled. Modified settings become active immediately.	- 0 0 255	UINT16 R/W per. -	CANopen 3044:2C _h Modbus 17496 Profibus 17496 CIP 168.1.44 ModbusTCP 17496 EtherCAT 3044:2C _h PROFINET 17496
EthIpMode C o n F → C o n - I P n d	Type of obtaining IP address. 0 / Manual / M a n u : Manual 1 / BOOTP / b o o t : BOOTP 2 / DHCP / d h c p : DHCP Modified settings become active immediately.	- 0 2 2	UINT16 R/W per. -	CANopen 3044:5 _h Modbus 17418 Profibus 17418 CIP 168.1.5 ModbusTCP 17418 EtherCAT 3044:5 _h PROFINET 17418
EthIPmodule1 C o n F → C o n - I P c 1	IP address Ethernet module, byte 1. Byte 1 (x.0.0.0) of the IP address of the Ethernet module. Modified settings become active the next time the product is powered on.	- 0 0 255	UINT16 R/W per. -	CANopen 3044:7 _h Modbus 17422 Profibus 17422 CIP 168.1.7 ModbusTCP 17422 EtherCAT 3044:7 _h PROFINET 17422
EthIPmodule2 C o n F → C o n - I P c 2	IP address Ethernet module, byte 2. Modified settings become active the next time the product is powered on.	- 0 0 255	UINT16 R/W per. -	CANopen 3044:8 _h Modbus 17424 Profibus 17424 CIP 168.1.8 ModbusTCP 17424 EtherCAT 3044:8 _h PROFINET 17424
EthIPmodule3 C o n F → C o n - I P c 3	IP address Ethernet module, byte 3. Modified settings become active the next time the product is powered on.	- 0 0 255	UINT16 R/W per. -	CANopen 3044:9 _h Modbus 17426 Profibus 17426 CIP 168.1.9 ModbusTCP 17426 EtherCAT 3044:9 _h PROFINET 17426
EthIPmodule4 C o n F → C o n - I P c 4	IP address Ethernet module, byte 4. Modified settings become active the next time the product is powered on.	- 0 0 255	UINT16 R/W per. -	CANopen 3044:A _h Modbus 17428 Profibus 17428 CIP 168.1.10 ModbusTCP 17428 EtherCAT 3044:A _h PROFINET 17428

Parameter name HMI menu HMI name	Description	Unit Minimum value Factory setting Maximum value	Data type R/W Persistent Expert	Parameter address via fieldbus
EthMbIPswap1	IP address of master for Modbus word swap, byte 1. IP address of a Modbus master device. For this master, the word order is swapped to "Low word first", instead of the default "High word first". High word first: Modicon Quantum Low word first: Premium, HMI (Schneider Electric) Modified settings become active immediately.	- 0 0 255	UINT16 R/W per. -	CANopen 3044:50 _h Modbus 17568 Profibus 17568 CIP 168.1.80 ModbusTCP 17568 EtherCAT 3044:50 _h PROFINET 17568
EthMbIPswap2	IP address of master for Modbus word swap, byte 2. Modified settings become active immediately.	- 0 0 255	UINT16 R/W per. -	CANopen 3044:51 _h Modbus 17570 Profibus 17570 CIP 168.1.81 ModbusTCP 17570 EtherCAT 3044:51 _h PROFINET 17570
EthMbIPswap3	IP address of master for Modbus word swap, byte 3. Modified settings become active immediately.	- 0 0 255	UINT16 R/W per. -	CANopen 3044:52 _h Modbus 17572 Profibus 17572 CIP 168.1.82 ModbusTCP 17572 EtherCAT 3044:52 _h PROFINET 17572
EthMbIPswap4	IP address of master for Modbus word swap, byte 4. Modified settings become active immediately.	- 0 0 255	UINT16 R/W per. -	CANopen 3044:53 _h Modbus 17574 Profibus 17574 CIP 168.1.83 ModbusTCP 17574 EtherCAT 3044:53 _h PROFINET 17574
EthMbScanner	Modbus TCP I/O scanning. 0 / Off: Modbus TCP I/O scanning off 1 / On: Modbus TCP I/O scanning on I/O scanning only works if the parameter EthMode is set to Modbus TCP. Modified settings become active immediately.	- 0 1 1	UINT16 R/W per. -	CANopen 3044:28 _h Modbus 17488 Profibus 17488 CIP 168.1.40 ModbusTCP 17488 EtherCAT 3044:28 _h PROFINET 17488
EthMbScanTimeout	Modbus TCP I/O scanning timeout. Communication monitoring timeout for Modbus TCP. Value 0: Timeout monitoring disabled In increments of 0.1 s. Modified settings become active immediately.	s 0.0 2.0 60.0	UINT16 R/W per. -	CANopen 3044:2D _h Modbus 17498 Profibus 17498 CIP 168.1.45 ModbusTCP 17498 EtherCAT 3044:2D _h PROFINET 17498

Parameter name HMI menu HMI name	Description	Unit Minimum value Factory setting Maximum value	Data type R/W Persistent Expert	Parameter address via fieldbus
EthMode CONF → CONF - Etd	Protocol. 0 / Modbus TCP / NLP: Modbus TCP I/O scanning is enabled 1 / EtherNet/IP / ELP: EtherNet/IP communication is enabled Modbus TCP parameter access is possible irrespective of the selected setting. Modified settings become active the next time the product is powered on.	- 0 1 1	UINT16 R/W per. -	CANopen 3044:1 _h Modbus 17410 Profibus 17410 CIP 168.1.1 ModbusTCP 17410 EtherCAT 3044:1 _h PROFINET 17410
EthOptMapInp1	Optionally mapped input parameter 1 (drive to controller). Modbus address of parameter which is optionally mapped to Ethernet/IP assembly or Modbus TCP I/O scanner data (drive to controller). Modified settings become active immediately.	- - 0 -	UINT16 R/W per. -	CANopen 3044:34 _h Modbus 17512 Profibus 17512 CIP 168.1.52 ModbusTCP 17512 EtherCAT 3044:34 _h PROFINET 17512
EthOptMapInp2	Optionally mapped input parameter 2 (drive to controller). Modbus address of parameter which is optionally mapped to Ethernet/IP assembly or Modbus TCP I/O scanner data (drive to controller). Modified settings become active immediately.	- - 0 -	UINT16 R/W per. -	CANopen 3044:35 _h Modbus 17514 Profibus 17514 CIP 168.1.53 ModbusTCP 17514 EtherCAT 3044:35 _h PROFINET 17514
EthOptMapInp3	Optionally mapped input parameter 3 (drive to controller). Modbus address of parameter which is optionally mapped to Ethernet/IP assembly or Modbus TCP I/O scanner data (drive to controller). Modified settings become active immediately.	- - 0 -	UINT16 R/W per. -	CANopen 3044:36 _h Modbus 17516 Profibus 17516 CIP 168.1.54 ModbusTCP 17516 EtherCAT 3044:36 _h PROFINET 17516
EthOptMapOut1	Optionally mapped output parameter 1 (controller to drive). Modbus address of parameter which is optionally mapped to Ethernet/IP assembly or Modbus TCP I/O scanner data (controller to drive). Modified settings become active immediately.	- - 0 -	UINT16 R/W per. -	CANopen 3044:2E _h Modbus 17500 Profibus 17500 CIP 168.1.46 ModbusTCP 17500 EtherCAT 3044:2E _h PROFINET 17500
EthOptMapOut2	Optionally mapped output parameter 2 (controller to drive). Modbus address of parameter which is optionally mapped to Ethernet/IP assembly or Modbus TCP I/O scanner data (controller to drive). Modified settings become active immediately.	- - 0 -	UINT16 R/W per. -	CANopen 3044:2F _h Modbus 17502 Profibus 17502 CIP 168.1.47 ModbusTCP 17502 EtherCAT 3044:2F _h PROFINET 17502

Parameter name HMI menu HMI name	Description	Unit Minimum value Factory setting Maximum value	Data type R/W Persistent Expert	Parameter address via fieldbus
EthOptMapOut3	Optionally mapped output parameter 3 (controller to drive). Modbus address of parameter which is optionally mapped to Ethernet/IP assembly or Modbus TCP I/O scanner data (controller to drive). Modified settings become active immediately.	- - 0 -	UINT16 R/W per. -	CANopen 3044:30 _h Modbus 17504 Profibus 17504 CIP 168.1.48 ModbusTCP 17504 EtherCAT 3044:30 _h PROFINET 17504
EthRateSet	Transmission rate setting. 0 / Autodetect: Autodetect 1 / 10 Mbps Full: 10 Mbps full duplex 2 / 10 Mbps Half: 10 Mbps half duplex 3 / 100 Mbps Full: 100 Mbps full duplex 4 / 100 Mbps Half: 100 Mbps half duplex Modified settings become active immediately.	- 0 0 4	UINT16 R/W per. -	CANopen 3044:2 _h Modbus 17412 Profibus 17412 CIP 168.1.2 ModbusTCP 17412 EtherCAT 3044:2 _h PROFINET 17412
GEARdenom	Denominator of gear ratio. See description GEARnum	- 1 1 2147483647	INT32 R/W per. -	CANopen 3026:3 _h Modbus 9734 Profibus 9734 CIP 138.1.3 ModbusTCP 9734 EtherCAT 3026:3 _h PROFINET 9734
GEARdenom2	Denominator of gear ratio number 2. See description GEARnum	- 1 1 2147483647	INT32 R/W per. -	CANopen 3026:C _h Modbus 9752 Profibus 9752 CIP 138.1.12 ModbusTCP 9752 EtherCAT 3026:C _h PROFINET 9752
GEARdir_enabl	Enabled direction of movement for operating mode Electronic Gear. 1 / Positive: Positive direction 2 / Negative: Negative direction 3 / Both: Both directions This allows you to activate a return movement lock function. Modified settings become active immediately.	- 1 3 3	UINT16 R/W per. -	CANopen 3026:5 _h Modbus 9738 Profibus 9738 CIP 138.1.5 ModbusTCP 9738 EtherCAT 3026:5 _h PROFINET 9738
GEARjerklim CONF → 1 - a - GF IL	Activation of jerk limitation. 0 / Off / OFF: Jerk limitation deactivated. 1 / PosSyncOn / P_on: Jerk limitation active (only with position synchronization). The time for jerk limitation must be set via parameter RAMP_v_jerk. Setting can only be modified if power stage is disabled. Modified settings become active immediately. Available with firmware version ≥V01.02.	- 0 0 1	UINT16 R/W per. -	CANopen 3026:7 _h Modbus 9742 Profibus 9742 CIP 138.1.7 ModbusTCP 9742 EtherCAT 3026:7 _h PROFINET 9742
GEARnum	Numerator of gear ratio. GEARnum ----- = Gear ratio GEARdenom The new gear ratio is applied when the numerator value is supplied. Modified settings become active immediately.	- -2147483648 1 2147483647	INT32 R/W per. -	CANopen 3026:4 _h Modbus 9736 Profibus 9736 CIP 138.1.4 ModbusTCP 9736 EtherCAT 3026:4 _h PROFINET 9736
GEARnum2	Numerator of gear ratio number 2. GEARnum2 ----- = Gear ratio GEARdenom2 The new gear ratio is applied when the numerator value is supplied. Modified settings become active immediately.	- -2147483648 1 2147483647	INT32 R/W per. -	CANopen 3026:D _h Modbus 9754 Profibus 9754 CIP 138.1.13 ModbusTCP 9754 EtherCAT 3026:D _h PROFINET 9754

Parameter name HMI menu HMI name	Description	Unit Minimum value Factory setting Maximum value	Data type R/W Persistent Expert	Parameter address via fieldbus
GEARpos_v_max	Velocity limitation for the method Position Synchronization. Value 0: No velocity limitation Value >0: Velocity limitation in usr_v Modified settings become active immediately. Available with firmware version ≥V01.10.	usr_v 0 0 2147483647	UINT32 R/W per. -	CANopen 3026:9 _h Modbus 9746 Profibus 9746 CIP 138.1.9 ModbusTCP 9746 EtherCAT 3026:9 _h PROFINET 9746
GEARposChgMode	Treatment of position changes with inactive power stage. 0 / Off: Position changes in states with disabled power stage are ignored. 1 / On: Position changes in states with disabled power stage are taken into account. This setting has an effect only if gear processing is started in the mode 'Synchronization with compensation movement'. Modified settings become active the next time the power stage is enabled.	- 0 0 1	UINT16 R/W per. -	CANopen 3026:B _h Modbus 9750 Profibus 9750 CIP 138.1.11 ModbusTCP 9750 EtherCAT 3026:B _h PROFINET 9750
GEARratio CONF → , - a - GFAC	Selection of gear ratio. 0 / Gear Factor / F A c t: Usage of gear ratio adjusted with GEARnum/GEARdenom 1 / 200 / 200: 200 2 / 400 / 400: 400 3 / 500 / 500: 500 4 / 1000 / 1000: 1000 5 / 2000 / 2000: 2000 6 / 4000 / 4000: 4000 7 / 5000 / 5000: 5000 8 / 10000 / 10000: 10000 9 / 4096 / 4096: 4096 10 / 8192 / 8192: 8192 11 / 16384 / 16384: 16384 A change of the reference value by the specified value causes one motor revolution. Modified settings become active immediately.	- 0 0 11	UINT16 R/W per. -	CANopen 3026:6 _h Modbus 9740 Profibus 9740 CIP 138.1.6 ModbusTCP 9740 EtherCAT 3026:6 _h PROFINET 9740
GEARreference	Synchronization method for operating mode Electronic Gear. 0 / Deactivated: Deactivated 1 / Position Synchronization Immediate: Position synchronization without compensation movement 2 / Position Synchronization Compensated: Position synchronization with compensation movement 3 / Velocity Synchronization: Velocity synchronization Modified settings become active immediately.	- 0 0 0 3	UINT16 R/W - - -	CANopen 301B:12 _h Modbus 6948 Profibus 6948 CIP 127.1.18 ModbusTCP 6948 EtherCAT 301B:12 _h PROFINET 6948
GEARselect	Gear ratio selection. Switches between two gear ratios: Value 0: Use gear ratio defined by parameter GEARratio Value 1: Use gear ratio from parameters GEARnum2/GEARdenom2 Modified settings become active immediately.	- 0 0 1	UINT16 R/W - -	CANopen 3026:E _h Modbus 9756 Profibus 9756 CIP 138.1.14 ModbusTCP 9756 EtherCAT 3026:E _h PROFINET 9756
HMDis	Distance from switching point. The distance from the switching point is defined as the reference point. The parameter is only effective during a reference movement without index pulse. Modified settings become active the next time the motor moves.	usr_p 1 200 2147483647	INT32 R/W per. -	CANopen 3028:7 _h Modbus 10254 Profibus 10254 CIP 140.1.7 ModbusTCP 10254 EtherCAT 3028:7 _h PROFINET 10254

Parameter name HMI menu HMI name	Description	Unit Minimum value Factory setting Maximum value	Data type R/W Persistent Expert	Parameter address via fieldbus
HMIDispPara П о н S u P V	HMI display when motor moves. 0 / OperatingState / S t A t : Operating state 1 / v_act / V A c t : Actual motor velocity 2 / I_act / I A c t : Actual motor current Modified settings become active immediately.	- 0 0 2	UINT16 R/W per. -	CANopen 303A:2 _h Modbus 14852 Profibus 14852 CIP 158.1.2 ModbusTCP 14852 EtherCAT 303A:2 _h PROFINET 14852
HMIlocked	Lock HMI. 0 / Not Locked / n L o c k : HMI not locked 1 / Locked / L o c k : HMI locked The following functions can no longer be started when the HMI is locked: - Parameter change - Jog - Autotuning - Fault Reset Modified settings become active immediately.	- 0 0 1	UINT16 R/W per. -	CANopen 303A:1 _h Modbus 14850 Profibus 14850 CIP 158.1.1 ModbusTCP 14850 EtherCAT 303A:1 _h PROFINET 14850
HMethod	Homing method. 1: LIMN with index pulse 2: LIMP with index pulse 7: REF+ with index pulse, inv., outside 8: REF+ with index pulse, inv., inside 9: REF+ with index pulse, not inv., inside 10: REF+ with index pulse, not inv., outside 11: REF- with index pulse, inv., outside 12: REF- with index pulse, inv., inside 13: REF- with index pulse, not inv., inside 14: REF- with index pulse, not inv., outside 17: LIMN 18: LIMP 23: REF+, inv., outside 24: REF+, inv., inside 25: REF+, not inv., inside 26: REF+, not inv., outside 27: REF-, inv., outside 28: REF-, inv., inside 29: REF-, not inv., inside 30: REF-, not inv., outside 33: Index pulse neg. direction 34: Index pulse pos. direction 35: Position setting Abbreviations: REF+: Search movement in pos. direction REF-: Search movement in neg. direction inv.: Invert direction in switch not inv.: Direction not inverted in switch outside: Index pulse / distance outside switch inside: Index pulse / distance inside switch Modified settings become active immediately. * Datatype for CANopen: INT8	- 1 18 35	INT16* R/W - -	CANopen 6098:0 _h Modbus 6936 Profibus 6936 CIP 127.1.12 ModbusTCP 6936 EtherCAT 6098:0 _h PROFINET 6936
HMoutdis	Maximum distance for search for switching point. 0: Monitoring of distance inactive >0: Maximum distance After detection of the switch, the drive starts to search for the defined switching point. If the defined switching point is not found within the distance defined here, the reference movement is canceled and an error is detected. Modified settings become active the next time the motor moves.	usr_p 0 0 2147483647	INT32 R/W per. -	CANopen 3028:6 _h Modbus 10252 Profibus 10252 CIP 140.1.6 ModbusTCP 10252 EtherCAT 3028:6 _h PROFINET 10252

Parameter name HMI menu HMI name	Description	Unit Minimum value Factory setting Maximum value	Data type R/W Persistent Expert	Parameter address via fieldbus
Hmp_home	Position at reference point. After a successful reference movement, this position is automatically set at the reference point. Modified settings become active the next time the motor moves.	usr_p -2147483648 0 2147483647	INT32 R/W per. -	CANopen 3028:B _h Modbus 10262 Profibus 10262 CIP 140.1.11 ModbusTCP 10262 EtherCAT 3028:B _h PROFINET 10262
Hmp_setP	Position for Position Setting. Position for operating mode Homing, method 35. Modified settings become active immediately.	usr_p - 0 -	INT32 R/W - -	CANopen 301B:16 _h Modbus 6956 Profibus 6956 CIP 127.1.22 ModbusTCP 6956 EtherCAT 301B:16 _h PROFINET 6956
Hmprefmethod aP → h a Π - Π E E h	Preferred homing method. Modified settings become active immediately.	- 1 18 35	INT16 R/W per. -	CANopen 3028:A _h Modbus 10260 Profibus 10260 CIP 140.1.10 ModbusTCP 10260 EtherCAT 3028:A _h PROFINET 10260
HMsrchdis	Maximum search distance after overtravel of switch. 0: Search distance monitoring disabled >0: Search distance The switch must be activated again within this search distance, otherwise the reference movement is canceled. Modified settings become active the next time the motor moves.	usr_p 0 0 2147483647	INT32 R/W per. -	CANopen 3028:D _h Modbus 10266 Profibus 10266 CIP 140.1.13 ModbusTCP 10266 EtherCAT 3028:D _h PROFINET 10266
Hmv aP → h a Π - h Π n	Target velocity for searching the switch. The adjustable value is internally limited to the parameter setting in RAMP_v_max. Modified settings become active the next time the motor moves.	usr_v 1 60 2147483647	UINT32 R/W per. -	CANopen 6099:1 _h Modbus 10248 Profibus 10248 CIP 140.1.4 ModbusTCP 10248 EtherCAT 6099:1 _h PROFINET 10248
Hmv_out	Target velocity for moving away from switch. The adjustable value is internally limited to the parameter setting in RAMP_v_max. Modified settings become active the next time the motor moves.	usr_v 1 6 2147483647	UINT32 R/W per. -	CANopen 6099:2 _h Modbus 10250 Profibus 10250 CIP 140.1.5 ModbusTCP 10250 EtherCAT 6099:2 _h PROFINET 10250
InvertDirOfCount	Inversion of direction of counting at PTI interface. 0 / Inversion Off: Inversion of direction of counting is off 1 / Inversion On: Inversion of direction of counting is on Modified settings become active immediately.	- 0 0 1	UINT16 R/W per. -	CANopen 3008:7 _h Modbus 2062 Profibus 2062 CIP 108.1.7 ModbusTCP 2062 EtherCAT 3008:7 _h PROFINET 2062

Parameter name HMI menu HMI name	Description	Unit Minimum value Factory setting Maximum value	Data type R/W Persistent Expert	Parameter address via fieldbus
InvertDirOfMaEnc	Inversion of direction of machine encoder. 0 / Inversion Off : Inversion of direction is off 1 / Inversion On : Inversion of direction is on Setting can only be modified if power stage is disabled. Modified settings become active immediately.	- 0 0 1	UINT16 R/W per. -	CANopen 3050:8 _h Modbus 20496 Profibus 20496 CIP 180.1.8 ModbusTCP 20496 EtherCAT 3050:8 _h PROFINET 20496
InvertDirOfMove CONF → ACG - inno	Inversion of direction of movement. 0 / Inversion Off / OFF : Inversion of direction of movement is off 1 / Inversion On / ON : Inversion of direction of movement is on The limit switch which is reached with a movement in positive direction must be connected to the positive limit switch input and vice versa. Setting can only be modified if power stage is disabled. Modified settings become active the next time the product is powered on.	- 0 0 1	UINT16 R/W per. -	CANopen 3006:C _h Modbus 1560 Profibus 1560 CIP 106.1.12 ModbusTCP 1560 EtherCAT 3006:C _h PROFINET 1560
IO_AutoEnable CONF → ACG - ioAE	Enabling the power stage at PowerOn. 0 / RisingEdge / r, SE : A rising edge with the signal input function "Enable" enables the power stage 1 / HighLevel / LEVEL : An active signal input with signal input function "Enable" enables the power stage 2 / AutoOn / Auto : The power stage is automatically enabled Modified settings become active the next time the power stage is enabled.	- 0 0 2	UINT16 R/W per. -	CANopen 3005:6 _h Modbus 1292 Profibus 1292 CIP 105.1.6 ModbusTCP 1292 EtherCAT 3005:6 _h PROFINET 1292
IO_AutoEnaConfig CONF → ACG - ioEN	Enabling the power stage as set via IO_AutoEnable even after error. 0 / Off / OFF : Setting in parameter IO_AutoEnable is only used after start-up 1 / On / ON : Setting in parameter IO_AutoEnable is used after start-up and after detected error Modified settings become active the next time the power stage is enabled.	- 0 0 1	UINT16 R/W per. -	CANopen 3005:4 _h Modbus 1288 Profibus 1288 CIP 105.1.4 ModbusTCP 1288 EtherCAT 3005:4 _h PROFINET 1288
IO_DQ_set	Setting the digital outputs directly. Digital outputs can only be set directly if the signal output function has been set to 'Freely Available'. Bit assignments: Bit 0: DQ0 Bit 1: DQ1 Bit 2: DQ2	- - - -	UINT16 R/W - -	CANopen 3008:11 _h Modbus 2082 Profibus 2082 CIP 108.1.17 ModbusTCP 2082 EtherCAT 3008:11 _h PROFINET 2082
IO_FaultResOnEnableInp CONF → ACG - iEfr	Additional 'Fault Reset' for the signal input function 'Enable'. 0 / Off / OFF : No additional 'Fault Reset' 1 / OnFallingEdge / FALL : Additional 'Fault Reset' with falling edge 2 / OnRisingEdge / r, SE : Additional 'Fault Reset' with rising edge Modified settings become active the next time the power stage is enabled. Available with firmware version ≥V01.12.	- 0 0 2	UINT16 R/W per. -	CANopen 3005:34 _h Modbus 1384 Profibus 1384 CIP 105.1.52 ModbusTCP 1384 EtherCAT 3005:34 _h PROFINET 1384
IO_GEARmethod CONF → ACG - ioGN	Processing mode for operating mode Electronic Gear. 1 / Position Synchronization Immediate / Position : Position synchronization without compensation movement 2 / Position Synchronization Compensated / Position : Position synchronization with compensation movement 3 / Velocity Synchronization / VEL : Velocity synchronization Modified settings become active the next time the motor moves.	- 1 1 3	UINT16 R/W per. -	CANopen 3005:17 _h Modbus 1326 Profibus 1326 CIP 105.1.23 ModbusTCP 1326 EtherCAT 3005:17 _h PROFINET 1326

Parameter name HMI menu HMI name	Description	Unit Minimum value Factory setting Maximum value	Data type R/W Persistent Expert	Parameter address via fieldbus
IO_I_limit CONF → , - o - , L , Π	Current limitation via input. A current limit can be activated via a digital input. In increments of 0.01 A _{rms} . Modified settings become active immediately.	A _{rms} 0.00 0.20 300.00	UINT16 R/W per. -	CANopen 3006:27 _h Modbus 1614 Profibus 1614 CIP 106.1.39 ModbusTCP 1614 EtherCAT 3006:27 _h PROFINET 1614
IO_JOGmethod CONF → ACG - , o JG	Selection of jog method. 0 / Continuous Movement / c o Π o : Jog with continuous movement 1 / Step Movement / S t Π o : Jog with step movement Modified settings become active the next time the motor moves.	- 0 0 1	UINT16 R/W per. -	CANopen 3005:18 _h Modbus 1328 Profibus 1328 CIP 105.1.24 ModbusTCP 1328 EtherCAT 3005:18 _h PROFINET 1328
IO_ModeSwitch CONF → ACG - , o Π S	Operating mode for signal input function Operating Mode Switch. 0 / None / n o n E : None 1 / Profile Torque / t o r q : Profile Torque 2 / Profile Velocity / V E L P : Profile Velocity 3 / Electronic Gear / G E A r : Electronic Gear Modified settings become active immediately.	- 0 0 3	UINT16 R/W per. -	CANopen 3006:2F _h Modbus 1630 Profibus 1630 CIP 106.1.47 ModbusTCP 1630 EtherCAT 3006:2F _h PROFINET 1630
IO_PTtq_refere nce CONF → ACG - , o t q	Reference value source for operating mode Profile Torque. 0 / Analog Input / , A n A : Reference value via analog input 1 / PTI Interface / , P t i : Reference value via PTI interface Setting can only be modified if power stage is disabled. Modified settings become active the next time the power stage is enabled. Available with firmware version ≥V01.20.	- 0 0 1	UINT16 R/W per. -	CANopen 3005:38 _h Modbus 1392 Profibus 1392 CIP 105.1.56 ModbusTCP 1392 EtherCAT 3005:38 _h PROFINET 1392
IO_v_limit	Velocity limitation via input. A velocity limitation can be activated via a digital input. In operating mode Profile Torque, the minimum velocity is internally limited to 100 RPM. Modified settings become active immediately.	usr_v 0 10 2147483647	UINT32 R/W per. -	CANopen 3006:1E _h Modbus 1596 Profibus 1596 CIP 106.1.30 ModbusTCP 1596 EtherCAT 3006:1E _h PROFINET 1596
IOdefaultMode CONF → ACG - , o - Π	Operating mode. 0 / None / n o n E : None 1 / Profile Torque / t o r q : Profile Torque 2 / Profile Velocity / V E L P : Profile Velocity 3 / Electronic Gear / G E A r : Electronic Gear 5 / Jog / J o G : Jog 6 / Motion Sequence / Π o t S : Motion Sequence Setting can only be modified if power stage is disabled. Modified settings become active the next time the product is powered on.	- 0 6 6	UINT16 R/W per. -	CANopen 3005:3 _h Modbus 1286 Profibus 1286 CIP 105.1.3 ModbusTCP 1286 EtherCAT 3005:3 _h PROFINET 1286

Parameter name HMI menu HMI name	Description	Unit Minimum value Factory setting Maximum value	Data type R/W Persistent Expert	Parameter address via fieldbus
IOfunct_DI0 CONF → , - a - d , 0	<p>Function Input DI0.</p> <p>1 / Freely Available / none: Available as required</p> <p>2 / Fault Reset / FRES: Fault reset after error</p> <p>3 / Enable / ENRB: Enables the power stage</p> <p>4 / Halt / HALT: Halt</p> <p>5 / Start Profile Positioning / SPP: Start request for movement</p> <p>6 / Current Limitation / L , Π: Limits the current to parameter value</p> <p>7 / Zero Clamp / CLPP: Zero clamping</p> <p>8 / Velocity Limitation / VL , Π: Limits the velocity to parameter value</p> <p>9 / Jog Positive / JGP: Jog: Moves in positive direction</p> <p>10 / Jog Negative / JGN: Jog: Moves in negative direction</p> <p>11 / Jog Fast/Slow / JGF: Jog: Switches between slow and fast movement</p> <p>12 / Gear Ratio Switch / GRE: Electronic Gear: Switches between two gear ratios</p> <p>13 / Start Single Data Set / dSER: Motion Sequence: Starts a single data set</p> <p>14 / Data Set Select / dSEL: Motion Sequence: Data set selection</p> <p>15 / Data Set Bit 0 / dSB0: Motion Sequence: Data set bit 0</p> <p>16 / Data Set Bit 1 / dSB1: Motion Sequence: Data set bit 1</p> <p>17 / Data Set Bit 2 / dSB2: Motion Sequence: Data set bit 2</p> <p>18 / Data Set Bit 3 / dSB3: Motion Sequence: Data set bit 3</p> <p>19 / Gear Offset 1 / GOF1: Electronic Gear: Adds first gear offset</p> <p>20 / Gear Offset 2 / GOF2: Electronic Gear: Adds second gear offset</p> <p>21 / Reference Switch (REF) / REF: Reference switch</p> <p>22 / Positive Limit Switch (LIMP) / L , ΠP: Positive limit switch</p> <p>23 / Negative Limit Switch (LIMN) / L , ΠN: Negative limit switch</p> <p>24 / Switch Controller Parameter Set / CPR: Switches control loop parameter set</p> <p>27 / Operating Mode Switch / ΠSW: Switches operating mode</p> <p>28 / Velocity Controller Integral Off / ENOF: Switches off velocity controller integral term</p> <p>29 / Start Motion Sequence / SΠS: Motion Sequence: Starts a motion sequence</p> <p>30 / Start Signal Of RMAC / SRΠC: Start signal of relative movement after capture (RMAC)</p> <p>31 / Activate RMAC / RRΠC: Activates the relative movement after capture (RMAC)</p> <p>32 / Activate Operating Mode / ROP: Activates operating mode</p> <p>35 / Data Set Bit 4 / dSB4: Motion Sequence: Data set bit 4</p> <p>36 / Data Set Bit 5 / dSB5: Motion Sequence: Data set bit 5</p> <p>37 / Data Set Bit 6 / dSB6: Motion Sequence: Data set bit 6</p> <p>38 / Inversion AI11 (IO Module) / R I I , 1: Inverts analog input AI11 (I/O module)</p> <p>39 / Inversion AI12 (IO Module) / R I I , 2: Inverts analog input AI12 (I/O module)</p> <p>40 / Release Holding Brake / REHB: Releases the holding brake. Setting can only be modified if power stage is disabled. Modified settings become active the next time the product is powered on.</p>	- - - -	UINT16 R/W per. -	CANopen 3007:1 _h Modbus 1794 Profibus 1794 CIP 107.1.1 ModbusTCP 1794 EtherCAT 3007:1 _h PROFINET 1794

Parameter name HMI menu HMI name	Description	Unit Minimum value Factory setting Maximum value	Data type R/W Persistent Expert	Parameter address via fieldbus
IOfunct_DI1 C o n F → , - o - d , I	<p>Function Input DI1.</p> <p>1 / Freely Available / n o n E: Available as required</p> <p>2 / Fault Reset / F r E S: Fault reset after error</p> <p>3 / Enable / E n A b: Enables the power stage</p> <p>4 / Halt / h A L T: Halt</p> <p>5 / Start Profile Positioning / S P E P: Start request for movement</p> <p>6 / Current Limitation / , L , Π: Limits the current to parameter value</p> <p>7 / Zero Clamp / C L Π P: Zero clamping</p> <p>8 / Velocity Limitation / V L , Π: Limits the velocity to parameter value</p> <p>9 / Jog Positive / J o G P: Jog: Moves in positive direction</p> <p>10 / Jog Negative / J o G n: Jog: Moves in negative direction</p> <p>11 / Jog Fast/Slow / J o G F: Jog: Switches between slow and fast movement</p> <p>12 / Gear Ratio Switch / G r A T: Electronic Gear: Switches between two gear ratios</p> <p>13 / Start Single Data Set / d S E R: Motion Sequence: Starts a single data set</p> <p>14 / Data Set Select / d S E L: Motion Sequence: Data set selection</p> <p>15 / Data Set Bit 0 / d S b 0: Motion Sequence: Data set bit 0</p> <p>16 / Data Set Bit 1 / d S b 1: Motion Sequence: Data set bit 1</p> <p>17 / Data Set Bit 2 / d S b 2: Motion Sequence: Data set bit 2</p> <p>18 / Data Set Bit 3 / d S b 3: Motion Sequence: Data set bit 3</p> <p>19 / Gear Offset 1 / G o F 1: Electronic Gear: Adds first gear offset</p> <p>20 / Gear Offset 2 / G o F 2: Electronic Gear: Adds second gear offset</p> <p>21 / Reference Switch (REF) / r E F: Reference switch</p> <p>22 / Positive Limit Switch (LIMP) / L , Π P: Positive limit switch</p> <p>23 / Negative Limit Switch (LIMN) / L , Π n: Negative limit switch</p> <p>24 / Switch Controller Parameter Set / C P A r: Switches control loop parameter set</p> <p>27 / Operating Mode Switch / Π S W E: Switches operating mode</p> <p>28 / Velocity Controller Integral Off / E n o F: Switches off velocity controller integral term</p> <p>29 / Start Motion Sequence / S E Π S: Motion Sequence: Starts a motion sequence</p> <p>30 / Start Signal Of RMAC / S r Π c: Start signal of relative movement after capture (RMAC)</p> <p>31 / Activate RMAC / A r Π c: Activates the relative movement after capture (RMAC)</p> <p>32 / Activate Operating Mode / A c o P: Activates operating mode</p> <p>35 / Data Set Bit 4 / d S b 4: Motion Sequence: Data set bit 4</p> <p>36 / Data Set Bit 5 / d S b 5: Motion Sequence: Data set bit 5</p> <p>37 / Data Set Bit 6 / d S b 6: Motion Sequence: Data set bit 6</p> <p>38 / Inversion AI11 (IO Module) / A I 1 1: Inverts analog input AI11 (I/O module)</p> <p>39 / Inversion AI12 (IO Module) / A I 1 2: Inverts analog input AI12 (I/O module)</p> <p>40 / Release Holding Brake / r E h b: Releases the holding brake Setting can only be modified if power stage is disabled. Modified settings become active the next time the product is powered on.</p>	- - - -	UINT16 R/W per. -	CANopen 3007:2 _h Modbus 1796 Profibus 1796 CIP 107.1.2 ModbusTCP 1796 EtherCAT 3007:2 _h PROFINET 1796

Parameter name HMI menu HMI name	Description	Unit Minimum value Factory setting Maximum value	Data type R/W Persistent Expert	Parameter address via fieldbus
IOfunct_DI2 CONF → , - a - d , 2	<p>Function Input DI2.</p> <p>1 / Freely Available / none: Available as required</p> <p>2 / Fault Reset / FRES: Fault reset after error</p> <p>3 / Enable / ENRB: Enables the power stage</p> <p>4 / Halt / HALT: Halt</p> <p>5 / Start Profile Positioning / SPP: Start request for movement</p> <p>6 / Current Limitation / L , Π: Limits the current to parameter value</p> <p>7 / Zero Clamp / CLPP: Zero clamping</p> <p>8 / Velocity Limitation / VL , Π: Limits the velocity to parameter value</p> <p>9 / Jog Positive / JGP: Jog: Moves in positive direction</p> <p>10 / Jog Negative / JGN: Jog: Moves in negative direction</p> <p>11 / Jog Fast/Slow / JGF: Jog: Switches between slow and fast movement</p> <p>12 / Gear Ratio Switch / GRE: Electronic Gear: Switches between two gear ratios</p> <p>13 / Start Single Data Set / dSER: Motion Sequence: Starts a single data set</p> <p>14 / Data Set Select / dSEL: Motion Sequence: Data set selection</p> <p>15 / Data Set Bit 0 / dSB0: Motion Sequence: Data set bit 0</p> <p>16 / Data Set Bit 1 / dSB1: Motion Sequence: Data set bit 1</p> <p>17 / Data Set Bit 2 / dSB2: Motion Sequence: Data set bit 2</p> <p>18 / Data Set Bit 3 / dSB3: Motion Sequence: Data set bit 3</p> <p>19 / Gear Offset 1 / GOF1: Electronic Gear: Adds first gear offset</p> <p>20 / Gear Offset 2 / GOF2: Electronic Gear: Adds second gear offset</p> <p>21 / Reference Switch (REF) / REF: Reference switch</p> <p>22 / Positive Limit Switch (LIMP) / L , ΠP: Positive limit switch</p> <p>23 / Negative Limit Switch (LIMN) / L , ΠN: Negative limit switch</p> <p>24 / Switch Controller Parameter Set / CPR: Switches control loop parameter set</p> <p>27 / Operating Mode Switch / ΠSW: Switches operating mode</p> <p>28 / Velocity Controller Integral Off / ENOF: Switches off velocity controller integral term</p> <p>29 / Start Motion Sequence / SΠS: Motion Sequence: Starts a motion sequence</p> <p>30 / Start Signal Of RMAC / SRΠC: Start signal of relative movement after capture (RMAC)</p> <p>31 / Activate RMAC / RRΠC: Activates the relative movement after capture (RMAC)</p> <p>32 / Activate Operating Mode / ROP: Activates operating mode</p> <p>35 / Data Set Bit 4 / dSB4: Motion Sequence: Data set bit 4</p> <p>36 / Data Set Bit 5 / dSB5: Motion Sequence: Data set bit 5</p> <p>37 / Data Set Bit 6 / dSB6: Motion Sequence: Data set bit 6</p> <p>38 / Inversion AI11 (IO Module) / R I I , 1: Inverts analog input AI11 (I/O module)</p> <p>39 / Inversion AI12 (IO Module) / R I I , 2: Inverts analog input AI12 (I/O module)</p> <p>40 / Release Holding Brake / REHB: Releases the holding brake. Setting can only be modified if power stage is disabled. Modified settings become active the next time the product is powered on.</p>	- - - -	UINT16 R/W per. -	CANopen 3007:3 _h Modbus 1798 Profibus 1798 CIP 107.1.3 ModbusTCP 1798 EtherCAT 3007:3 _h PROFINET 1798

Parameter name HMI menu HMI name	Description	Unit Minimum value Factory setting Maximum value	Data type R/W Persistent Expert	Parameter address via fieldbus
IOfunct_DI3 CONF → I - a - d 3	<p>Function Input DI3.</p> <p>1 / Freely Available / none: Available as required</p> <p>2 / Fault Reset / FRES: Fault reset after error</p> <p>3 / Enable / ENRB: Enables the power stage</p> <p>4 / Halt / HALT: Halt</p> <p>5 / Start Profile Positioning / SPPE: Start request for movement</p> <p>6 / Current Limitation / ILI: Limits the current to parameter value</p> <p>7 / Zero Clamp / CLNP: Zero clamping</p> <p>8 / Velocity Limitation / VLI: Limits the velocity to parameter value</p> <p>9 / Jog Positive / JOGP: Jog: Moves in positive direction</p> <p>10 / Jog Negative / JOGN: Jog: Moves in negative direction</p> <p>11 / Jog Fast/Slow / JOGF: Jog: Switches between slow and fast movement</p> <p>12 / Gear Ratio Switch / GRRE: Electronic Gear: Switches between two gear ratios</p> <p>13 / Start Single Data Set / dSER: Motion Sequence: Starts a single data set</p> <p>14 / Data Set Select / dSEL: Motion Sequence: Data set selection</p> <p>15 / Data Set Bit 0 / dSB0: Motion Sequence: Data set bit 0</p> <p>16 / Data Set Bit 1 / dSB1: Motion Sequence: Data set bit 1</p> <p>17 / Data Set Bit 2 / dSB2: Motion Sequence: Data set bit 2</p> <p>18 / Data Set Bit 3 / dSB3: Motion Sequence: Data set bit 3</p> <p>19 / Gear Offset 1 / GOF1: Electronic Gear: Adds first gear offset</p> <p>20 / Gear Offset 2 / GOF2: Electronic Gear: Adds second gear offset</p> <p>21 / Reference Switch (REF) / REF: Reference switch</p> <p>22 / Positive Limit Switch (LIMP) / LIP: Positive limit switch</p> <p>23 / Negative Limit Switch (LIMN) / LIN: Negative limit switch</p> <p>24 / Switch Controller Parameter Set / CPAR: Switches control loop parameter set</p> <p>27 / Operating Mode Switch / OSWE: Switches operating mode</p> <p>28 / Velocity Controller Integral Off / ENOF: Switches off velocity controller integral term</p> <p>29 / Start Motion Sequence / SEPS: Motion Sequence: Starts a motion sequence</p> <p>30 / Start Signal Of RMAC / SRPC: Start signal of relative movement after capture (RMAC)</p> <p>31 / Activate RMAC / RRPC: Activates the relative movement after capture (RMAC)</p> <p>32 / Activate Operating Mode / ROP: Activates operating mode</p> <p>35 / Data Set Bit 4 / dSB4: Motion Sequence: Data set bit 4</p> <p>36 / Data Set Bit 5 / dSB5: Motion Sequence: Data set bit 5</p> <p>37 / Data Set Bit 6 / dSB6: Motion Sequence: Data set bit 6</p> <p>38 / Inversion AI11 (IO Module) / AI11: Inverts analog input AI11 (I/O module)</p> <p>39 / Inversion AI12 (IO Module) / AI12: Inverts analog input AI12 (I/O module)</p> <p>40 / Release Holding Brake / REHB: Releases the holding brake. Setting can only be modified if power stage is disabled. Modified settings become active the next time the product is powered on.</p>	- - - -	UINT16 R/W per. -	CANopen 3007:4 _h Modbus 1800 Profibus 1800 CIP 107.1.4 ModbusTCP 1800 EtherCAT 3007:4 _h PROFINET 1800

Parameter name HMI menu HMI name	Description	Unit Minimum value Factory setting Maximum value	Data type R/W Persistent Expert	Parameter address via fieldbus
IOfunct_DI4 CONF → , - a - d , 4	<p>Function Input DI4.</p> <p>1 / Freely Available / none: Available as required</p> <p>2 / Fault Reset / FRES: Fault reset after error</p> <p>3 / Enable / ENRB: Enables the power stage</p> <p>4 / Halt / HALT: Halt</p> <p>5 / Start Profile Positioning / SPP: Start request for movement</p> <p>6 / Current Limitation / ILI: Limits the current to parameter value</p> <p>7 / Zero Clamp / CLNP: Zero clamping</p> <p>8 / Velocity Limitation / VLI: Limits the velocity to parameter value</p> <p>9 / Jog Positive / JGP: Jog: Moves in positive direction</p> <p>10 / Jog Negative / JGN: Jog: Moves in negative direction</p> <p>11 / Jog Fast/Slow / JGF: Jog: Switches between slow and fast movement</p> <p>12 / Gear Ratio Switch / GRE: Electronic Gear: Switches between two gear ratios</p> <p>13 / Start Single Data Set / dSER: Motion Sequence: Starts a single data set</p> <p>14 / Data Set Select / dSEL: Motion Sequence: Data set selection</p> <p>15 / Data Set Bit 0 / dSB0: Motion Sequence: Data set bit 0</p> <p>16 / Data Set Bit 1 / dSB1: Motion Sequence: Data set bit 1</p> <p>17 / Data Set Bit 2 / dSB2: Motion Sequence: Data set bit 2</p> <p>18 / Data Set Bit 3 / dSB3: Motion Sequence: Data set bit 3</p> <p>19 / Gear Offset 1 / GOF1: Electronic Gear: Adds first gear offset</p> <p>20 / Gear Offset 2 / GOF2: Electronic Gear: Adds second gear offset</p> <p>21 / Reference Switch (REF) / REF: Reference switch</p> <p>22 / Positive Limit Switch (LIMP) / LIP: Positive limit switch</p> <p>23 / Negative Limit Switch (LIMN) / LIN: Negative limit switch</p> <p>24 / Switch Controller Parameter Set / CPR: Switches control loop parameter set</p> <p>27 / Operating Mode Switch / OSW: Switches operating mode</p> <p>28 / Velocity Controller Integral Off / ENOF: Switches off velocity controller integral term</p> <p>29 / Start Motion Sequence / SPS: Motion Sequence: Starts a motion sequence</p> <p>30 / Start Signal Of RMAC / SRP: Start signal of relative movement after capture (RMAC)</p> <p>31 / Activate RMAC / ARP: Activates the relative movement after capture (RMAC)</p> <p>32 / Activate Operating Mode / AOP: Activates operating mode</p> <p>35 / Data Set Bit 4 / dSB4: Motion Sequence: Data set bit 4</p> <p>36 / Data Set Bit 5 / dSB5: Motion Sequence: Data set bit 5</p> <p>37 / Data Set Bit 6 / dSB6: Motion Sequence: Data set bit 6</p> <p>38 / Inversion AI11 (IO Module) / AI1I: Inverts analog input AI11 (I/O module)</p> <p>39 / Inversion AI12 (IO Module) / AI2I: Inverts analog input AI12 (I/O module)</p> <p>40 / Release Holding Brake / REHB: Releases the holding brake. Setting can only be modified if power stage is disabled. Modified settings become active the next time the product is powered on.</p>	- - - -	UINT16 R/W per. -	CANopen 3007:5 _h Modbus 1802 Profibus 1802 CIP 107.1.5 ModbusTCP 1802 EtherCAT 3007:5 _h PROFINET 1802

Parameter name HMI menu HMI name	Description	Unit Minimum value Factory setting Maximum value	Data type R/W Persistent Expert	Parameter address via fieldbus
IOfunct_DI5 CONF → , - a - d , 5	<p>Function Input DI5.</p> <p>1 / Freely Available / none: Available as required</p> <p>2 / Fault Reset / FRES: Fault reset after error</p> <p>3 / Enable / ENRB: Enables the power stage</p> <p>4 / Halt / HALT: Halt</p> <p>5 / Start Profile Positioning / SPPE: Start request for movement</p> <p>6 / Current Limitation / ILI: Limits the current to parameter value</p> <p>7 / Zero Clamp / CLNP: Zero clamping</p> <p>8 / Velocity Limitation / VLI: Limits the velocity to parameter value</p> <p>9 / Jog Positive / JOGP: Jog: Moves in positive direction</p> <p>10 / Jog Negative / JOGN: Jog: Moves in negative direction</p> <p>11 / Jog Fast/Slow / JOGF: Jog: Switches between slow and fast movement</p> <p>12 / Gear Ratio Switch / GRRE: Electronic Gear: Switches between two gear ratios</p> <p>13 / Start Single Data Set / dSER: Motion Sequence: Starts a single data set</p> <p>14 / Data Set Select / dSEL: Motion Sequence: Data set selection</p> <p>15 / Data Set Bit 0 / dSB0: Motion Sequence: Data set bit 0</p> <p>16 / Data Set Bit 1 / dSB1: Motion Sequence: Data set bit 1</p> <p>17 / Data Set Bit 2 / dSB2: Motion Sequence: Data set bit 2</p> <p>18 / Data Set Bit 3 / dSB3: Motion Sequence: Data set bit 3</p> <p>19 / Gear Offset 1 / GOF1: Electronic Gear: Adds first gear offset</p> <p>20 / Gear Offset 2 / GOF2: Electronic Gear: Adds second gear offset</p> <p>21 / Reference Switch (REF) / REF: Reference switch</p> <p>22 / Positive Limit Switch (LIMP) / LIP: Positive limit switch</p> <p>23 / Negative Limit Switch (LIMN) / LIN: Negative limit switch</p> <p>24 / Switch Controller Parameter Set / CPAR: Switches control loop parameter set</p> <p>27 / Operating Mode Switch / OSWE: Switches operating mode</p> <p>28 / Velocity Controller Integral Off / ENOF: Switches off velocity controller integral term</p> <p>29 / Start Motion Sequence / SEN5: Motion Sequence: Starts a motion sequence</p> <p>30 / Start Signal Of RMAC / SRPC: Start signal of relative movement after capture (RMAC)</p> <p>31 / Activate RMAC / RRPC: Activates the relative movement after capture (RMAC)</p> <p>32 / Activate Operating Mode / ROP: Activates operating mode</p> <p>35 / Data Set Bit 4 / dSB4: Motion Sequence: Data set bit 4</p> <p>36 / Data Set Bit 5 / dSB5: Motion Sequence: Data set bit 5</p> <p>37 / Data Set Bit 6 / dSB6: Motion Sequence: Data set bit 6</p> <p>38 / Inversion AI11 (IO Module) / AI11: Inverts analog input AI11 (I/O module)</p> <p>39 / Inversion AI12 (IO Module) / AI12: Inverts analog input AI12 (I/O module)</p> <p>40 / Release Holding Brake / REHB: Releases the holding brake. Setting can only be modified if power stage is disabled. Modified settings become active the next time the product is powered on.</p>	- - - -	UINT16 R/W per. -	CANopen 3007:6 _h Modbus 1804 Profibus 1804 CIP 107.1.6 ModbusTCP 1804 EtherCAT 3007:6 _h PROFINET 1804

Parameter name HMI menu HMI name	Description	Unit Minimum value Factory setting Maximum value	Data type R/W Persistent Expert	Parameter address via fieldbus
IOfunct_DQ0 CONF → I - a - d a 0	<p>Function Output DQ0.</p> <p>1 / Freely Available / n a n E: Available as required</p> <p>2 / No Fault / n F L t: Signals operating states Ready To Switch On, Switched On and Operation Enabled</p> <p>3 / Active / R c t: Signals operating state Operation Enabled</p> <p>4 / RMAC Active Or Finished / r n - R: Relative movement after capture active or finished (RMAC)</p> <p>5 / In Position Deviation Window / i n - P: Position deviation is within window</p> <p>6 / In Velocity Deviation Window / i n - V: Velocity deviation is within window</p> <p>7 / Velocity Below Threshold / V t h r: Motor velocity below threshold</p> <p>8 / Current Below Threshold / i t h r: Motor current below threshold</p> <p>9 / Halt Acknowledge / h R L t: Halt acknowledgement</p> <p>11 / Motion Sequence: Start Acknowledge / d S R c: Motion Sequence: Acknowledgement of start request</p> <p>13 / Motor Standstill / n S t d: Motor at a standstill</p> <p>14 / Selected Error / S E r r: One of the specified errors of error classes 1 ... 4 is active</p> <p>15 / Valid Reference (ref_ok) / r E F a: Zero point is valid (ref_ok)</p> <p>16 / Selected Warning / S W r n: One of the specified errors of error class 0 is active</p> <p>17 / Motion Sequence: Done / n S c a: Motion Sequence: Sequence done</p> <p>18 / Position Register Channel 1 / P r c 1: Position register channel 1</p> <p>19 / Position Register Channel 2 / P r c 2: Position register channel 2</p> <p>20 / Position Register Channel 3 / P r c 3: Position register channel 3</p> <p>21 / Position Register Channel 4 / P r c 4: Position register channel 4</p> <p>22 / Motor Moves Positive / n P a 5: Motor moves in positive direction</p> <p>23 / Motor Moves Negative / n n E G: Motor moves in negative direction</p> <p>Setting can only be modified if power stage is disabled. Modified settings become active the next time the product is powered on.</p>	- - - -	UINT16 R/W per. -	CANopen 3007:9 _h Modbus 1810 Profibus 1810 CIP 107.1.9 ModbusTCP 1810 EtherCAT 3007:9 _h PROFINET 1810

Parameter name HMI menu HMI name	Description	Unit Minimum value Factory setting Maximum value	Data type R/W Persistent Expert	Parameter address via fieldbus
IOfunct_DQ1 CONF → I - a - d a l	<p>Function Output DQ1.</p> <p>1 / Freely Available / n o n E: Available as required</p> <p>2 / No Fault / n F L t: Signals operating states Ready To Switch On, Switched On and Operation Enabled</p> <p>3 / Active / R c t: Signals operating state Operation Enabled</p> <p>4 / RMAC Active Or Finished / r n c R: Relative movement after capture active or finished (RMAC)</p> <p>5 / In Position Deviation Window / i n - P: Position deviation is within window</p> <p>6 / In Velocity Deviation Window / i n - V: Velocity deviation is within window</p> <p>7 / Velocity Below Threshold / v t h r: Motor velocity below threshold</p> <p>8 / Current Below Threshold / i t h r: Motor current below threshold</p> <p>9 / Halt Acknowledge / h R L t: Halt acknowledgement</p> <p>11 / Motion Sequence: Start Acknowledge / d S R c: Motion Sequence: Acknowledgement of start request</p> <p>13 / Motor Standstill / n S t d: Motor at a standstill</p> <p>14 / Selected Error / S E r r: One of the specified errors of error classes 1 ... 4 is active</p> <p>15 / Valid Reference (ref_ok) / r E F o: Zero point is valid (ref_ok)</p> <p>16 / Selected Warning / S W r n: One of the specified errors of error class 0 is active</p> <p>17 / Motion Sequence: Done / n S c o: Motion Sequence: Sequence done</p> <p>18 / Position Register Channel 1 / P r c 1: Position register channel 1</p> <p>19 / Position Register Channel 2 / P r c 2: Position register channel 2</p> <p>20 / Position Register Channel 3 / P r c 3: Position register channel 3</p> <p>21 / Position Register Channel 4 / P r c 4: Position register channel 4</p> <p>22 / Motor Moves Positive / n P o 5: Motor moves in positive direction</p> <p>23 / Motor Moves Negative / n n E G: Motor moves in negative direction</p> <p>Setting can only be modified if power stage is disabled. Modified settings become active the next time the product is powered on.</p>	- - - -	UINT16 R/W per. -	CANopen 3007:A _h Modbus 1812 Profibus 1812 CIP 107.1.10 ModbusTCP 1812 EtherCAT 3007:A _h PROFINET 1812

Parameter name HMI menu HMI name	Description	Unit Minimum value Factory setting Maximum value	Data type R/W Persistent Expert	Parameter address via fieldbus
IOfunct_DQ2 ConF → i - a - d a 2	<p>Function Output DQ2.</p> <p>1 / Freely Available / n a n E: Available as required</p> <p>2 / No Fault / n F L t: Signals operating states Ready To Switch On, Switched On and Operation Enabled</p> <p>3 / Active / R c t i: Signals operating state Operation Enabled</p> <p>4 / RMAC Active Or Finished / r n c R: Relative movement after capture active or finished (RMAC)</p> <p>5 / In Position Deviation Window / i n - P: Position deviation is within window</p> <p>6 / In Velocity Deviation Window / i n - V: Velocity deviation is within window</p> <p>7 / Velocity Below Threshold / V t h r: Motor velocity below threshold</p> <p>8 / Current Below Threshold / i t h r: Motor current below threshold</p> <p>9 / Halt Acknowledge / h R L t: Halt acknowledgement</p> <p>11 / Motion Sequence: Start Acknowledge / d S R c: Motion Sequence: Acknowledgement of start request</p> <p>13 / Motor Standstill / n S t d: Motor at a standstill</p> <p>14 / Selected Error / S E r r: One of the specified errors of error classes 1 ... 4 is active</p> <p>15 / Valid Reference (ref_ok) / r E F a: Zero point is valid (ref_ok)</p> <p>16 / Selected Warning / S W r n: One of the specified errors of error class 0 is active</p> <p>17 / Motion Sequence: Done / n S c a: Motion Sequence: Sequence done</p> <p>18 / Position Register Channel 1 / P r c 1: Position register channel 1</p> <p>19 / Position Register Channel 2 / P r c 2: Position register channel 2</p> <p>20 / Position Register Channel 3 / P r c 3: Position register channel 3</p> <p>21 / Position Register Channel 4 / P r c 4: Position register channel 4</p> <p>22 / Motor Moves Positive / n P a 5: Motor moves in positive direction</p> <p>23 / Motor Moves Negative / n n E G: Motor moves in negative direction</p> <p>Setting can only be modified if power stage is disabled. Modified settings become active the next time the product is powered on.</p>	- - - -	UINT16 R/W per. -	CANopen 3007:B _h Modbus 1814 Profibus 1814 CIP 107.1.11 ModbusTCP 1814 EtherCAT 3007:B _h PROFINET 1814
IOM1_AI11_I_max ConF → i - a - L I I ,	<p>IOM1 Limitation of current at 10 V of AI11.</p> <p>In increments of 0.01 A_{rms}.</p> <p>Setting can only be modified if power stage is disabled. Modified settings become active the next time the power stage is enabled.</p> <p>Available with firmware version ≥V01.06.</p>	A _{rms} 0.00 3.00 463.00	UINT16 R/W per. -	CANopen 304F:F _h Modbus 20254 Profibus 20254 CIP 179.1.15 ModbusTCP 20254 EtherCAT 304F:F _h PROFINET 20254
IOM1_AI11_M_scale ConF → i - a - t I I t	<p>IOM1 Target torque at 10 V in operating mode Profile Torque of AI11.</p> <p>100.0 % correspond to the continuous stall torque _M_M_0.</p> <p>By using a negative sign, you can invert the evaluation of the analog signal.</p> <p>In increments of 0.1 %.</p> <p>Modified settings become active immediately.</p> <p>Available with firmware version ≥V01.06.</p>	% -3000.0 100.0 3000.0	INT16 R/W per. -	CANopen 304F:12 _h Modbus 20260 Profibus 20260 CIP 179.1.18 ModbusTCP 20260 EtherCAT 304F:12 _h PROFINET 20260

Parameter name HMI menu HMI name	Description	Unit Minimum value Factory setting Maximum value	Data type R/W Persistent Expert	Parameter address via fieldbus
IOM1_AI11_mode CONF → I - a - R I I u	IOM1 Type of usage of AI11. 0 / None / none : No function 1 / Target Velocity / SPd5 : Target velocity for the velocity controller 2 / Target Torque / Er95 : Target torque for the current controller 3 / Velocity Limitation / LSPd : Limitation of the reference velocity for the velocity controller 4 / Current Limitation / Lcur : Limitation of the reference current for the current controller Setting can only be modified if power stage is disabled. Modified settings become active the next time the power stage is enabled. Available with firmware version \geq V01.06.	- 0 1 4	UINT16 R/W per. -	CANopen 304F:E _h Modbus 20252 Profibus 20252 CIP 179.1.14 ModbusTCP 20252 EtherCAT 304F:E _h PROFINET 20252
IOM1_AI11_offset CONF → I - a - R I I o	IOM1 Offset voltage of AI11. The analog input AI11 is corrected/offset by the offset value. If you have defined a zero voltage window, this window is effective in the zero pass range of the corrected analog input AI11. Modified settings become active immediately. Available with firmware version \geq V01.06.	mV -5000 0 5000	INT16 R/W per. -	CANopen 304F:B _h Modbus 20246 Profibus 20246 CIP 179.1.11 ModbusTCP 20246 EtherCAT 304F:B _h PROFINET 20246
IOM1_AI11_Tau CONF → I - a - R I I F	IOM1 Filter time constant of AI11. First-order low pass (PT1) filter time constant for analog input AI11. In increments of 0.01 ms. Modified settings become active immediately. Available with firmware version \geq V01.06.	ms 0.00 0.00 327.67	UINT16 R/W per. -	CANopen 304F:2 _h Modbus 20228 Profibus 20228 CIP 179.1.2 ModbusTCP 20228 EtherCAT 304F:2 _h PROFINET 20228
IOM1_AI11_v_max x	IOM1 Limitation of velocity at 10 V of AI11. The maximum velocity is limited to the setting in CTRL_v_max. The minimum velocity is internally limited to 100 min ⁻¹ . Setting can only be modified if power stage is disabled. Modified settings become active the next time the power stage is enabled. Available with firmware version \geq V01.06.	usr_v 1 3000 2147483647	UINT32 R/W per. -	CANopen 304F:10 _h Modbus 20256 Profibus 20256 CIP 179.1.16 ModbusTCP 20256 EtherCAT 304F:10 _h PROFINET 20256
IOM1_AI11_v_scale	IOM1 Target velocity at 10 V in operating mode Profile Velocity of AI11. The maximum velocity is limited to the setting in CTRL_v_max. By using a negative sign, you can invert the evaluation of the analog signal. Modified settings become active immediately. Available with firmware version \geq V01.06.	usr_v -2147483648 6000 2147483647	INT32 R/W per. -	CANopen 304F:11 _h Modbus 20258 Profibus 20258 CIP 179.1.17 ModbusTCP 20258 EtherCAT 304F:11 _h PROFINET 20258
IOM1_AI11_win CONF → I - a - R I I W	IOM1 Zero voltage window of AI11. Threshold value up to which an input voltage value is treated as 0 V. Example: Value 20, this means a range from -20 ... +20 mV is treated as 0 mV. Modified settings become active immediately. Available with firmware version \geq V01.06.	mV 0 0 1000	UINT16 R/W per. -	CANopen 304F:9 _h Modbus 20242 Profibus 20242 CIP 179.1.9 ModbusTCP 20242 EtherCAT 304F:9 _h PROFINET 20242

Parameter name HMI menu HMI name	Description	Unit Minimum value Factory setting Maximum value	Data type R/W Persistent Expert	Parameter address via fieldbus
IOM1_AI12_I_max <i>Conf → i - o - t 12 i</i>	IOM1 Limitation of current at 10 V of AI12. In increments of 0.01 A _{rms} . Setting can only be modified if power stage is disabled. Modified settings become active the next time the power stage is enabled. Available with firmware version ≥V01.06.	A _{rms} 0.00 3.00 463.00	UINT16 R/W per. -	CANopen 304F:14 _h Modbus 20264 Profibus 20264 CIP 179.1.20 ModbusTCP 20264 EtherCAT 304F:14 _h PROFINET 20264
IOM1_AI12_M_scale <i>Conf → i - o - t 12 i</i>	IOM1 Target torque at 10 V in operating mode Profile Torque of AI12. 100.0 % correspond to the continuous stall torque <i>_M_M_0</i> . By using a negative sign, you can invert the evaluation of the analog signal. In increments of 0.1 %. Modified settings become active immediately. Available with firmware version ≥V01.06.	% -3000.0 100.0 3000.0	INT16 R/W per. -	CANopen 304F:17 _h Modbus 20270 Profibus 20270 CIP 179.1.23 ModbusTCP 20270 EtherCAT 304F:17 _h PROFINET 20270
IOM1_AI12_mode <i>Conf → i - o - R 12 u</i>	IOM1 Type of usage of AI12. 0 / None / none : No function 1 / Target Velocity / SPd5 : Target velocity for the velocity controller 2 / Target Torque / tr 95 : Target torque for the current controller 3 / Velocity Limitation / LSPd : Limitation of the reference velocity for the velocity controller 4 / Current Limitation / Lcur : Limitation of the reference current for the current controller Setting can only be modified if power stage is disabled. Modified settings become active the next time the power stage is enabled. Available with firmware version ≥V01.06.	- 0 0 4	UINT16 R/W per. -	CANopen 304F:13 _h Modbus 20262 Profibus 20262 CIP 179.1.19 ModbusTCP 20262 EtherCAT 304F:13 _h PROFINET 20262
IOM1_AI12_offset <i>Conf → i - o - R 12 o</i>	IOM1 Offset voltage of AI12. The analog input AI12 is corrected/offset by the offset value. If you have defined a zero voltage window, this window is effective in the zero pass range of the corrected analog input AI12. Modified settings become active immediately. Available with firmware version ≥V01.06.	mV -5000 0 5000	INT16 R/W per. -	CANopen 304F:C _h Modbus 20248 Profibus 20248 CIP 179.1.12 ModbusTCP 20248 EtherCAT 304F:C _h PROFINET 20248
IOM1_AI12_Tau <i>Conf → i - o - R 12 F</i>	IOM1 Filter time constant of AI12. First-order low pass (PT1) filter time constant for analog input AI12. In increments of 0.01 ms. Modified settings become active immediately. Available with firmware version ≥V01.06.	ms 0.00 0.00 327.67	UINT16 R/W per. -	CANopen 304F:18 _h Modbus 20272 Profibus 20272 CIP 179.1.24 ModbusTCP 20272 EtherCAT 304F:18 _h PROFINET 20272
IOM1_AI12_v_max <i>Conf → i - o - R 12 x</i>	IOM1 Limitation of velocity at 10 V of AI12. The maximum velocity is limited to the setting in CTRL_v_max. The minimum velocity is internally limited to 100 min ⁻¹ . Setting can only be modified if power stage is disabled. Modified settings become active the next time the power stage is enabled. Available with firmware version ≥V01.06.	usr_v 1 3000 2147483647	UINT32 R/W per. -	CANopen 304F:15 _h Modbus 20266 Profibus 20266 CIP 179.1.21 ModbusTCP 20266 EtherCAT 304F:15 _h PROFINET 20266

Parameter name HMI menu HMI name	Description	Unit Minimum value Factory setting Maximum value	Data type R/W Persistent Expert	Parameter address via fieldbus
IOM1_AI12_v_scale	IOM1 Target velocity at 10 V in operating mode Profile Velocity of AI12. The maximum velocity is limited to the setting in CTRL_v_max. By using a negative sign, you can invert the evaluation of the analog signal. Modified settings become active immediately. Available with firmware version \geq V01.06.	usr_v -2147483648 6000 2147483647	INT32 R/W per. -	CANopen 304F:16 _h Modbus 20268 Profibus 20268 CIP 179.1.22 ModbusTCP 20268 EtherCAT 304F:16 _h PROFINET 20268
IOM1_AI12_win CONF → i- a- R12W	IOM1 Zero voltage window of AI12. Threshold value up to which an input voltage value is treated as 0 V. Example: Value 20, this means a range from -20 ... +20 mV is treated as 0 mV. Modified settings become active immediately. Available with firmware version \geq V01.06.	mV 0 0 1000	UINT16 R/W per. -	CANopen 304F:A _h Modbus 20244 Profibus 20244 CIP 179.1.10 ModbusTCP 20244 EtherCAT 304F:A _h PROFINET 20244
IOM1_AQ_ErrResp	IOM1 Error response to overload of analog outputs. 0 / Error Class 0: Error class 0 1 / Error Class 1: Error class 1 2 / Error Class 2: Error class 2 3 / Error Class 3: Error class 3 Setting can only be modified if power stage is disabled. Modified settings become active the next time the power stage is enabled.	- 0 1 3	UINT16 R/W per. -	CANopen 304F:1F _h Modbus 20286 Profibus 20286 CIP 179.1.31 ModbusTCP 20286 EtherCAT 304F:1F _h PROFINET 20286
IOM1_AQ_mode CONF → i- a- R0EY	IOM1 Type of usage of analog outputs. 0 / none / none: Analog outputs are deactivated 1 / Voltage / Voltage: Both analog outputs are voltage outputs 2 / Current / Current: Both analog outputs are current outputs Setting can only be modified if power stage is disabled. Modified settings become active the next time the product is powered on. Available with firmware version \geq V01.06.	- 0 0 2	UINT16 R/W per. -	CANopen 304F:20 _h Modbus 20288 Profibus 20288 CIP 179.1.32 ModbusTCP 20288 EtherCAT 304F:20 _h PROFINET 20288
IOM1_AQ11_FixVal	IOM1 Fixed value for AQ11. Only available if parameter IOM1_AQ11_func is set to 'Fixed Value'. Unit and range depend on setting in parameter IOM1_AQ_mode. If setting is 'Voltage': Unit: mV Range: -10000 ... 10000 If setting is 'Current': Unit: μ A Range: 0 ... 20000 Modified settings become active immediately. Available with firmware version \geq V01.06.	- -10000 0 20000	INT16 R/W - -	CANopen 304F:24 _h Modbus 20296 Profibus 20296 CIP 179.1.36 ModbusTCP 20296 EtherCAT 304F:24 _h PROFINET 20296

Parameter name HMI menu HMI name	Description	Unit Minimum value Factory setting Maximum value	Data type R/W Persistent Expert	Parameter address via fieldbus
IOM1_AQ11_func C o n F → i - a - R I I Π	IOM1 Function of AQ11. 0 / None / n o n E : No function 1 / Actual Velocity / V R C E : Actual velocity (10 V / 20 mA correspond to value in CTRL_v_max) 2 / Actual Torque / E R C E : Actual torque (10 V / 20 mA correspond to value in CTRL_I_max) 3 / Reference Velocity / V r E F : Reference velocity (10 V / 20 mA correspond to value in CTRL_v_max) 4 / Reference Torque / E r E F : Reference torque (10 V / 20 mA correspond to value in CTRL_I_max) 5 / Position Deviation / P d i F : Position deviation (10 V / 20 mA correspond to value in MON_p_dif_load_usr) 6 / Fixed Value / F i V A : Fixed value (setting in parameter IOM1_AQ11_FixVal) 7 / Actual Position / P R C E : Actual position in the modulo range (10 V / 20 mA correspond to value in MOD_Max) Modified settings become active immediately. Available with firmware version ≥V01.06.	- 0 0 7	UINT16 R/W per. -	CANopen 304F:21 _h Modbus 20290 Profibus 20290 CIP 179.1.33 ModbusTCP 20290 EtherCAT 304F:21 _h PROFINET 20290
IOM1_AQ11_I_range C o n F → i - a - R I I C	IOM1 Range of current of AQ11. 0 / 0-20mA / 0 - 2 : 0 mA ... 20 mA (0 mA correspond to 0 user-defined units) 1 / 4-20mA unsigned / 4 - 2 u : 4 mA ... 20 mA (4 mA correspond to 0 user-defined units) 2 / 4-20mA signed / 4 - 2 S : 4 mA ... 20 mA (12 mA correspond to 0 user-defined units) Setting can only be modified if power stage is disabled. Modified settings become active the next time the product is powered on. Available with firmware version ≥V01.06.	- 0 0 2	UINT16 R/W per. -	CANopen 304F:22 _h Modbus 20292 Profibus 20292 CIP 179.1.34 ModbusTCP 20292 EtherCAT 304F:22 _h PROFINET 20292
IOM1_AQ11_invert	IOM1 Inversion of AQ11. Only available if output is set to a voltage output. Value 0: No inversion Value 1: Inversion active Modified settings become active immediately. Available with firmware version ≥V01.06.	- 0 0 1	UINT16 R/W per. -	CANopen 304F:23 _h Modbus 20294 Profibus 20294 CIP 179.1.35 ModbusTCP 20294 EtherCAT 304F:23 _h PROFINET 20294
IOM1_AQ12_FixVal	IOM1 Fixed value for AQ12. Only available if parameter IOM1_AQ12_func is set to 'Fixed Value'. Unit and range depend on setting in parameter IOM1_AQ_mode. If setting is 'Voltage': Unit: mV Range: -10000 ... 10000 If setting is 'Current': Unit: µA Range: 0 ... 20000 Modified settings become active immediately. Available with firmware version ≥V01.06.	- -10000 0 20000	INT16 R/W - -	CANopen 304F:2E _h Modbus 20316 Profibus 20316 CIP 179.1.46 ModbusTCP 20316 EtherCAT 304F:2E _h PROFINET 20316

Parameter name HMI menu HMI name	Description	Unit Minimum value Factory setting Maximum value	Data type R/W Persistent Expert	Parameter address via fieldbus
IOM1_AQ12_func CONF → I - a - R I 2 0	IOM1 Function of AQ12. 0 / None / none : No function 1 / Actual Velocity / V R C L : Actual velocity (10 V / 20 mA correspond to value in CTRL_v_max) 2 / Actual Torque / T R C L : Actual torque (10 V / 20 mA correspond to value in CTRL_I_max) 3 / Reference Velocity / V r E F : Reference velocity (10 V / 20 mA correspond to value in CTRL_v_max) 4 / Reference Torque / T r E F : Reference torque (10 V / 20 mA correspond to value in CTRL_I_max) 5 / Position Deviation / P d i F : Position deviation (10 V / 20 mA correspond to value in MON_p_dif_load_usr) 6 / Fixed Value / F i V A : Fixed value (setting in parameter IOM1_AQ12_FixVal) 7 / Actual Position / P R C L : Actual position in the modulo range (10 V / 20 mA correspond to value in MOD_Max) Modified settings become active immediately. Available with firmware version ≥V01.06.	- 0 0 7	UINT16 R/W per. -	CANopen 304F:2B _h Modbus 20310 Profibus 20310 CIP 179.1.43 ModbusTCP 20310 EtherCAT 304F:2B _h PROFINET 20310
IOM1_AQ12_I_range CONF → I - a - R I 2 C	IOM1 Range of current of AQ12. 0 / 0-20mA / 0 - 2 : 0 mA ... 20 mA (0 mA correspond to 0 user-defined units) 1 / 4-20mA unsigned / 4 - 2 u : 4 mA ... 20 mA (4 mA correspond to 0 user-defined units) 2 / 4-20mA signed / 4 - 2 s : 4 mA ... 20 mA (12 mA correspond to 0 user-defined units) Setting can only be modified if power stage is disabled. Modified settings become active the next time the product is powered on. Available with firmware version ≥V01.06.	- 0 0 2	UINT16 R/W per. -	CANopen 304F:2C _h Modbus 20312 Profibus 20312 CIP 179.1.44 ModbusTCP 20312 EtherCAT 304F:2C _h PROFINET 20312
IOM1_AQ12_invert	IOM1 Inversion of AQ12. Only available if output is set to a voltage output. Value 0: No inversion Value 1: Inversion active Modified settings become active immediately. Available with firmware version ≥V01.06.	- 0 0 1	UINT16 R/W per. -	CANopen 304F:2D _h Modbus 20314 Profibus 20314 CIP 179.1.45 ModbusTCP 20314 EtherCAT 304F:2D _h PROFINET 20314
IOM1_DI_10_Deb	IOM1 Debounce time of DI10. 0 / No : No software debouncing 1 / 0.25 ms : 0.25 ms 2 / 0.50 ms : 0.50 ms 3 / 0.75 ms : 0.75 ms 4 / 1.00 ms : 1.00 ms 5 / 1.25 ms : 1.25 ms 6 / 1.50 ms : 1.50 ms Setting can only be modified if power stage is disabled. Modified settings become active immediately. Available with firmware version ≥V01.06.	- 0 6 6	UINT16 R/W per. -	CANopen 304F:40 _h Modbus 20352 Profibus 20352 CIP 179.1.64 ModbusTCP 20352 EtherCAT 304F:40 _h PROFINET 20352
IOM1_DI_11_Deb	IOM1 Debounce time of DI11. 0 / No : No software debouncing 1 / 0.25 ms : 0.25 ms 2 / 0.50 ms : 0.50 ms 3 / 0.75 ms : 0.75 ms 4 / 1.00 ms : 1.00 ms 5 / 1.25 ms : 1.25 ms 6 / 1.50 ms : 1.50 ms Setting can only be modified if power stage is disabled. Modified settings become active immediately. Available with firmware version ≥V01.06.	- 0 6 6	UINT16 R/W per. -	CANopen 304F:41 _h Modbus 20354 Profibus 20354 CIP 179.1.65 ModbusTCP 20354 EtherCAT 304F:41 _h PROFINET 20354

Parameter name HMI menu HMI name	Description	Unit Minimum value Factory setting Maximum value	Data type R/W Persistent Expert	Parameter address via fieldbus
IOM1_DI_12_Deb	<p>IOM1 Debounce time of DI12.</p> <p>0 / No: No software debouncing</p> <p>1 / 0.25 ms: 0.25 ms</p> <p>2 / 0.50 ms: 0.50 ms</p> <p>3 / 0.75 ms: 0.75 ms</p> <p>4 / 1.00 ms: 1.00 ms</p> <p>5 / 1.25 ms: 1.25 ms</p> <p>6 / 1.50 ms: 1.50 ms</p> <p>Setting can only be modified if power stage is disabled. Modified settings become active immediately. Available with firmware version \geqV01.06.</p>	- 0 6 6	UINT16 R/W per. -	<p>CANopen 304F:42_h</p> <p>Modbus 20356</p> <p>Profibus 20356</p> <p>CIP 179.1.66</p> <p>ModbusTCP 20356</p> <p>EtherCAT 304F:42_h</p> <p>PROFINET 20356</p>
IOM1_DI_13_Deb	<p>IOM1 Debounce time of DI13.</p> <p>0 / No: No software debouncing</p> <p>1 / 0.25 ms: 0.25 ms</p> <p>2 / 0.50 ms: 0.50 ms</p> <p>3 / 0.75 ms: 0.75 ms</p> <p>4 / 1.00 ms: 1.00 ms</p> <p>5 / 1.25 ms: 1.25 ms</p> <p>6 / 1.50 ms: 1.50 ms</p> <p>Setting can only be modified if power stage is disabled. Modified settings become active immediately. Available with firmware version \geqV01.06.</p>	- 0 6 6	UINT16 R/W per. -	<p>CANopen 304F:43_h</p> <p>Modbus 20358</p> <p>Profibus 20358</p> <p>CIP 179.1.67</p> <p>ModbusTCP 20358</p> <p>EtherCAT 304F:43_h</p> <p>PROFINET 20358</p>
IOM1_DQ_set	<p>IOM1 Setting the digital outputs directly.</p> <p>Digital outputs can only be set directly if the signal output function has been set to 'Available as required'.</p> <p>Bit assignments: Bit 0: DQ10 Bit 1: DQ11</p>	- - - -	UINT16 R/W - -	<p>CANopen 304F:37_h</p> <p>Modbus 20334</p> <p>Profibus 20334</p> <p>CIP 179.1.55</p> <p>ModbusTCP 20334</p> <p>EtherCAT 304F:37_h</p> <p>PROFINET 20334</p>

Parameter name HMI menu HMI name	Description	Unit Minimum value Factory setting Maximum value	Data type R/W Persistent Expert	Parameter address via fieldbus
IOM1_IOfunct_D I10 CONF → I- a- di10	<p>IOM1 Function Input DI10.</p> <p>1 / Freely Available / n o n E: Available as required</p> <p>2 / Fault Reset / F r E S: Fault reset after error</p> <p>3 / Enable / E n A b: Enables the power stage</p> <p>4 / Halt / h A L T: Halt</p> <p>5 / Start Profile Positioning / S P E P: Start request for movement</p> <p>6 / Current Limitation / I L I P: Limits the current to parameter value</p> <p>7 / Zero Clamp / C L P P: Zero clamping</p> <p>8 / Velocity Limitation / V L I P: Limits the velocity to parameter value</p> <p>9 / Jog Positive / J o G P: Jog: Moves in positive direction</p> <p>10 / Jog Negative / J o G n: Jog: Moves in negative direction</p> <p>11 / Jog Fast/Slow / J o G F: Jog: Switches between slow and fast movement</p> <p>12 / Gear Ratio Switch / G r A T: Electronic Gear: Switches between two gear ratios</p> <p>13 / Start Single Data Set / d S E R: Motion Sequence: Starts a single data set</p> <p>14 / Data Set Select / d S E L: Motion Sequence: Data set selection</p> <p>15 / Data Set Bit 0 / d S b 0: Motion Sequence: Data set bit 0</p> <p>16 / Data Set Bit 1 / d S b 1: Motion Sequence: Data set bit 1</p> <p>17 / Data Set Bit 2 / d S b 2: Motion Sequence: Data set bit 2</p> <p>18 / Data Set Bit 3 / d S b 3: Motion Sequence: Data set bit 3</p> <p>19 / Gear Offset 1 / G o F 1: Electronic Gear: Adds first gear offset</p> <p>20 / Gear Offset 2 / G o F 2: Electronic Gear: Adds second gear offset</p> <p>21 / Reference Switch (REF) / r E F: Reference switch</p> <p>22 / Positive Limit Switch (LIMP) / L I P P: Positive limit switch</p> <p>23 / Negative Limit Switch (LIMN) / L I P n: Negative limit switch</p> <p>24 / Switch Controller Parameter Set / C P A R: Switches control loop parameter set</p> <p>27 / Operating Mode Switch / P S W E: Switches operating mode</p> <p>28 / Velocity Controller Integral Off / E n o F: Switches off velocity controller integral term</p> <p>29 / Start Motion Sequence / S E P S: Motion Sequence: Starts a motion sequence</p> <p>31 / Activate RMAC / A r P c: Activates the relative movement after capture (RMAC)</p> <p>32 / Activate Operating Mode / A c o P: Activates operating mode</p> <p>35 / Data Set Bit 4 / d S b 4: Motion Sequence: Data set bit 4</p> <p>36 / Data Set Bit 5 / d S b 5: Motion Sequence: Data set bit 5</p> <p>37 / Data Set Bit 6 / d S b 6: Motion Sequence: Data set bit 6</p> <p>38 / Inversion AI11 (IO Module) / A I 1 i: Inverts analog input AI11 (I/O module)</p> <p>39 / Inversion AI12 (IO Module) / A I 2 i: Inverts analog input AI12 (I/O module)</p> <p>40 / Release Holding Brake / r E h b: Releases the holding brake Setting can only be modified if power stage is disabled. Modified settings become active the next time the product is powered on. Available with firmware version ≥V01.06.</p>	- - - -	UINT16 R/W per. -	CANopen 304F:50 _h Modbus 20384 Profibus 20384 CIP 179.1.80 ModbusTCP 20384 EtherCAT 304F:50 _h PROFINET 20384

Parameter name HMI menu HMI name	Description	Unit Minimum value Factory setting Maximum value	Data type R/W Persistent Expert	Parameter address via fieldbus
IOM1_IOfunct_D I11 <i>CONF → i - o - d i l l</i>	<p>IOM1 Function Input DI11.</p> <p>1 / Freely Available / n o n E: Available as required</p> <p>2 / Fault Reset / F r E S: Fault reset after error</p> <p>3 / Enable / E n A b: Enables the power stage</p> <p>4 / Halt / h A L T: Halt</p> <p>5 / Start Profile Positioning / S P E P: Start request for movement</p> <p>6 / Current Limitation / , L , Π: Limits the current to parameter value</p> <p>7 / Zero Clamp / C L Π P: Zero clamping</p> <p>8 / Velocity Limitation / V L , Π: Limits the velocity to parameter value</p> <p>9 / Jog Positive / J o G P: Jog: Moves in positive direction</p> <p>10 / Jog Negative / J o G n: Jog: Moves in negative direction</p> <p>11 / Jog Fast/Slow / J o G F: Jog: Switches between slow and fast movement</p> <p>12 / Gear Ratio Switch / G r A T: Electronic Gear: Switches between two gear ratios</p> <p>13 / Start Single Data Set / d S E R: Motion Sequence: Starts a single data set</p> <p>14 / Data Set Select / d S E L: Motion Sequence: Data set selection</p> <p>15 / Data Set Bit 0 / d S b 0: Motion Sequence: Data set bit 0</p> <p>16 / Data Set Bit 1 / d S b 1: Motion Sequence: Data set bit 1</p> <p>17 / Data Set Bit 2 / d S b 2: Motion Sequence: Data set bit 2</p> <p>18 / Data Set Bit 3 / d S b 3: Motion Sequence: Data set bit 3</p> <p>19 / Gear Offset 1 / G o F 1: Electronic Gear: Adds first gear offset</p> <p>20 / Gear Offset 2 / G o F 2: Electronic Gear: Adds second gear offset</p> <p>21 / Reference Switch (REF) / r E F: Reference switch</p> <p>22 / Positive Limit Switch (LIMP) / L , Π P: Positive limit switch</p> <p>23 / Negative Limit Switch (LIMN) / L , Π n: Negative limit switch</p> <p>24 / Switch Controller Parameter Set / C P A r: Switches control loop parameter set</p> <p>27 / Operating Mode Switch / Π S W E: Switches operating mode</p> <p>28 / Velocity Controller Integral Off / E n o F: Switches off velocity controller integral term</p> <p>29 / Start Motion Sequence / S E Π S: Motion Sequence: Starts a motion sequence</p> <p>31 / Activate RMAC / A r Π c: Activates the relative movement after capture (RMAC)</p> <p>32 / Activate Operating Mode / A c o P: Activates operating mode</p> <p>35 / Data Set Bit 4 / d S b 4: Motion Sequence: Data set bit 4</p> <p>36 / Data Set Bit 5 / d S b 5: Motion Sequence: Data set bit 5</p> <p>37 / Data Set Bit 6 / d S b 6: Motion Sequence: Data set bit 6</p> <p>38 / Inversion AI11 (IO Module) / A I 1 i: Inverts analog input AI11 (I/O module)</p> <p>39 / Inversion AI12 (IO Module) / A I 2 i: Inverts analog input AI12 (I/O module)</p> <p>40 / Release Holding Brake / r E h b: Releases the holding brake Setting can only be modified if power stage is disabled. Modified settings become active the next time the product is powered on. Available with firmware version ≥V01.06.</p>	- - - -	UINT16 R/W per. -	CANopen 304F:51 _h Modbus 20386 Profibus 20386 CIP 179.1.81 ModbusTCP 20386 EtherCAT 304F:51 _h PROFINET 20386

Parameter name HMI menu HMI name	Description	Unit Minimum value Factory setting Maximum value	Data type R/W Persistent Expert	Parameter address via fieldbus
IOM1_IOfunct_D I12 CONF → I- a- d, I2	<p>IOM1 Function Input DI12.</p> <p>1 / Freely Available / n o n E: Available as required</p> <p>2 / Fault Reset / F r E S: Fault reset after error</p> <p>3 / Enable / E n A b: Enables the power stage</p> <p>4 / Halt / h A L T: Halt</p> <p>5 / Start Profile Positioning / S P E P: Start request for movement</p> <p>6 / Current Limitation / I L I P: Limits the current to parameter value</p> <p>7 / Zero Clamp / C L P P: Zero clamping</p> <p>8 / Velocity Limitation / V L I P: Limits the velocity to parameter value</p> <p>9 / Jog Positive / J o G P: Jog: Moves in positive direction</p> <p>10 / Jog Negative / J o G n: Jog: Moves in negative direction</p> <p>11 / Jog Fast/Slow / J o G F: Jog: Switches between slow and fast movement</p> <p>12 / Gear Ratio Switch / G r A T: Electronic Gear: Switches between two gear ratios</p> <p>13 / Start Single Data Set / d S E R: Motion Sequence: Starts a single data set</p> <p>14 / Data Set Select / d S E L: Motion Sequence: Data set selection</p> <p>15 / Data Set Bit 0 / d S b 0: Motion Sequence: Data set bit 0</p> <p>16 / Data Set Bit 1 / d S b 1: Motion Sequence: Data set bit 1</p> <p>17 / Data Set Bit 2 / d S b 2: Motion Sequence: Data set bit 2</p> <p>18 / Data Set Bit 3 / d S b 3: Motion Sequence: Data set bit 3</p> <p>19 / Gear Offset 1 / G o F 1: Electronic Gear: Adds first gear offset</p> <p>20 / Gear Offset 2 / G o F 2: Electronic Gear: Adds second gear offset</p> <p>21 / Reference Switch (REF) / r E F: Reference switch</p> <p>22 / Positive Limit Switch (LIMP) / L I P P: Positive limit switch</p> <p>23 / Negative Limit Switch (LIMN) / L I P n: Negative limit switch</p> <p>24 / Switch Controller Parameter Set / C P A R: Switches control loop parameter set</p> <p>27 / Operating Mode Switch / P S W E: Switches operating mode</p> <p>28 / Velocity Controller Integral Off / E n o F: Switches off velocity controller integral term</p> <p>29 / Start Motion Sequence / S E P S: Motion Sequence: Starts a motion sequence</p> <p>31 / Activate RMAC / A r P c: Activates the relative movement after capture (RMAC)</p> <p>32 / Activate Operating Mode / A c o P: Activates operating mode</p> <p>35 / Data Set Bit 4 / d S b 4: Motion Sequence: Data set bit 4</p> <p>36 / Data Set Bit 5 / d S b 5: Motion Sequence: Data set bit 5</p> <p>37 / Data Set Bit 6 / d S b 6: Motion Sequence: Data set bit 6</p> <p>38 / Inversion AI11 (IO Module) / A I 1 i: Inverts analog input AI11 (I/O module)</p> <p>39 / Inversion AI12 (IO Module) / A I 2 i: Inverts analog input AI12 (I/O module)</p> <p>40 / Release Holding Brake / r E h b: Releases the holding brake Setting can only be modified if power stage is disabled. Modified settings become active the next time the product is powered on. Available with firmware version ≥V01.06.</p>	- - - -	UINT16 R/W per. -	CANopen 304F:52 _h Modbus 20388 Profibus 20388 CIP 179.1.82 ModbusTCP 20388 EtherCAT 304F:52 _h PROFINET 20388

Parameter name HMI menu HMI name	Description	Unit Minimum value Factory setting Maximum value	Data type R/W Persistent Expert	Parameter address via fieldbus
IOM1_IOfunct_D I13 <i>CONF → I- a- d, I3</i>	<p>IOM1 Function Input DI13.</p> <p>1 / Freely Available / n o n E: Available as required</p> <p>2 / Fault Reset / F r E S: Fault reset after error</p> <p>3 / Enable / E n A b: Enables the power stage</p> <p>4 / Halt / h A L T: Halt</p> <p>5 / Start Profile Positioning / S P E P: Start request for movement</p> <p>6 / Current Limitation / I L I P: Limits the current to parameter value</p> <p>7 / Zero Clamp / C L P P: Zero clamping</p> <p>8 / Velocity Limitation / V L I P: Limits the velocity to parameter value</p> <p>9 / Jog Positive / J o G P: Jog: Moves in positive direction</p> <p>10 / Jog Negative / J o G n: Jog: Moves in negative direction</p> <p>11 / Jog Fast/Slow / J o G F: Jog: Switches between slow and fast movement</p> <p>12 / Gear Ratio Switch / G r A T: Electronic Gear: Switches between two gear ratios</p> <p>13 / Start Single Data Set / d S E R: Motion Sequence: Starts a single data set</p> <p>14 / Data Set Select / d S E L: Motion Sequence: Data set selection</p> <p>15 / Data Set Bit 0 / d S b 0: Motion Sequence: Data set bit 0</p> <p>16 / Data Set Bit 1 / d S b 1: Motion Sequence: Data set bit 1</p> <p>17 / Data Set Bit 2 / d S b 2: Motion Sequence: Data set bit 2</p> <p>18 / Data Set Bit 3 / d S b 3: Motion Sequence: Data set bit 3</p> <p>19 / Gear Offset 1 / G o F 1: Electronic Gear: Adds first gear offset</p> <p>20 / Gear Offset 2 / G o F 2: Electronic Gear: Adds second gear offset</p> <p>21 / Reference Switch (REF) / r E F: Reference switch</p> <p>22 / Positive Limit Switch (LIMP) / L I P P: Positive limit switch</p> <p>23 / Negative Limit Switch (LIMN) / L I P n: Negative limit switch</p> <p>24 / Switch Controller Parameter Set / C P A r: Switches control loop parameter set</p> <p>27 / Operating Mode Switch / P S W E: Switches operating mode</p> <p>28 / Velocity Controller Integral Off / E n o F: Switches off velocity controller integral term</p> <p>29 / Start Motion Sequence / S E P S: Motion Sequence: Starts a motion sequence</p> <p>31 / Activate RMAC / A r P c: Activates the relative movement after capture (RMAC)</p> <p>32 / Activate Operating Mode / A c o P: Activates operating mode</p> <p>35 / Data Set Bit 4 / d S b 4: Motion Sequence: Data set bit 4</p> <p>36 / Data Set Bit 5 / d S b 5: Motion Sequence: Data set bit 5</p> <p>37 / Data Set Bit 6 / d S b 6: Motion Sequence: Data set bit 6</p> <p>38 / Inversion AI11 (IO Module) / A I 1 i: Inverts analog input AI11 (I/O module)</p> <p>39 / Inversion AI12 (IO Module) / A I 2 i: Inverts analog input AI12 (I/O module)</p> <p>40 / Release Holding Brake / r E h b: Releases the holding brake Setting can only be modified if power stage is disabled. Modified settings become active the next time the product is powered on. Available with firmware version ≥V01.06.</p>	- - - -	UINT16 R/W per. -	CANopen 304F:53 _h Modbus 20390 Profibus 20390 CIP 179.1.83 ModbusTCP 20390 EtherCAT 304F:53 _h PROFINET 20390

Parameter name HMI menu HMI name	Description	Unit Minimum value Factory setting Maximum value	Data type R/W Persistent Expert	Parameter address via fieldbus
IOM1_IOfunct_D Q10 CONF → 1- 0- da 10	<p>IOM1 Function Output DQ10.</p> <p>1 / Freely Available / n o n E : Available as required</p> <p>2 / No Fault / n F L t : Signals operating states Ready To Switch On, Switched On and Operation Enabled</p> <p>3 / Active / R c t : Signals operating state Operation Enabled</p> <p>4 / RMAC Active Or Finished / r n c R : Relative movement after capture active or finished (RMAC)</p> <p>5 / In Position Deviation Window / i n - P : Position deviation is within window</p> <p>6 / In Velocity Deviation Window / i n - V : Velocity deviation is within window</p> <p>7 / Velocity Below Threshold / v t h r : Motor velocity below threshold</p> <p>8 / Current Below Threshold / i t h r : Motor current below threshold</p> <p>9 / Halt Acknowledge / h R L t : Halt acknowledgement</p> <p>11 / Motion Sequence: Start Acknowledge / d S R c : Motion Sequence: Acknowledgement of start request</p> <p>13 / Motor Standstill / n S t d : Motor at a standstill</p> <p>14 / Selected Error / S E r r : One of the specified errors of error classes 1 ... 4 is active</p> <p>15 / Valid Reference (ref_ok) / r E F o : Zero point is valid (ref_ok)</p> <p>16 / Selected Warning / S W r n : One of the specified errors of error class 0 is active</p> <p>17 / Motion Sequence: Done / n S c o : Motion Sequence: Sequence done</p> <p>18 / Position Register Channel 1 / P r c 1 : Position register channel 1</p> <p>19 / Position Register Channel 2 / P r c 2 : Position register channel 2</p> <p>20 / Position Register Channel 3 / P r c 3 : Position register channel 3</p> <p>21 / Position Register Channel 4 / P r c 4 : Position register channel 4</p> <p>22 / Motor Moves Positive / n P o 5 : Motor moves in positive direction</p> <p>23 / Motor Moves Negative / n n E G : Motor moves in negative direction</p> <p>Setting can only be modified if power stage is disabled. Modified settings become active the next time the product is powered on. Available with firmware version ≥V01.06.</p>	- - - -	UINT16 R/W per. -	CANopen 304F:5A _h Modbus 20404 Profibus 20404 CIP 179.1.90 ModbusTCP 20404 EtherCAT 304F:5A _h PROFINET 20404

Parameter name HMI menu HMI name	Description	Unit Minimum value Factory setting Maximum value	Data type R/W Persistent Expert	Parameter address via fieldbus
IOM1_IOfunct_D Q11 C o n F → i - o - d o l l	<p>IOM1 Function Output DQ11.</p> <p>1 / Freely Available / n o n E: Available as required</p> <p>2 / No Fault / n F L t: Signals operating states Ready To Switch On, Switched On and Operation Enabled</p> <p>3 / Active / R c t i: Signals operating state Operation Enabled</p> <p>4 / RMAC Active Or Finished / r n c R: Relative movement after capture active or finished (RMAC)</p> <p>5 / In Position Deviation Window / i n - P: Position deviation is within window</p> <p>6 / In Velocity Deviation Window / i n - V: Velocity deviation is within window</p> <p>7 / Velocity Below Threshold / V t h r: Motor velocity below threshold</p> <p>8 / Current Below Threshold / i t h r: Motor current below threshold</p> <p>9 / Halt Acknowledge / h R L t: Halt acknowledgement</p> <p>11 / Motion Sequence: Start Acknowledge / d S R c: Motion Sequence: Acknowledgement of start request</p> <p>13 / Motor Standstill / n S t d: Motor at a standstill</p> <p>14 / Selected Error / S E r r: One of the specified errors of error classes 1 ... 4 is active</p> <p>15 / Valid Reference (ref_ok) / r E F o: Zero point is valid (ref_ok)</p> <p>16 / Selected Warning / S W r n: One of the specified errors of error class 0 is active</p> <p>17 / Motion Sequence: Done / n S c o: Motion Sequence: Sequence done</p> <p>18 / Position Register Channel 1 / P r c 1: Position register channel 1</p> <p>19 / Position Register Channel 2 / P r c 2: Position register channel 2</p> <p>20 / Position Register Channel 3 / P r c 3: Position register channel 3</p> <p>21 / Position Register Channel 4 / P r c 4: Position register channel 4</p> <p>22 / Motor Moves Positive / n P o 5: Motor moves in positive direction</p> <p>23 / Motor Moves Negative / n n E G: Motor moves in negative direction</p> <p>Setting can only be modified if power stage is disabled. Modified settings become active the next time the product is powered on. Available with firmware version \geqV01.06.</p>	- - - -	UINT16 R/W per. -	CANopen 304F:5B _h Modbus 20406 Profibus 20406 CIP 179.1.91 ModbusTCP 20406 EtherCAT 304F:5B _h PROFINET 20406
IOsigCurrLim	<p>Signal evaluation for signal input function Current Limitation.</p> <p>1 / Normally Closed: Normally closed NC</p> <p>2 / Normally Open: Normally open NO</p> <p>Setting can only be modified if power stage is disabled. Modified settings become active the next time the power stage is enabled. Available with firmware version \geqV01.24.</p>	- 1 2 2	UINT16 R/W per. -	CANopen 3008:28 _h Modbus 2128 Profibus 2128 CIP 108.1.40 ModbusTCP 2128 EtherCAT 3008:28 _h PROFINET 2128
IOsigLIMN	<p>Signal evaluation for negative limit switch.</p> <p>0 / Inactive: Inactive</p> <p>1 / Normally Closed: Normally closed NC</p> <p>2 / Normally Open: Normally open NO</p> <p>Setting can only be modified if power stage is disabled. Modified settings become active the next time the power stage is enabled.</p>	- 0 1 2	UINT16 R/W per. -	CANopen 3006:F _h Modbus 1566 Profibus 1566 CIP 106.1.15 ModbusTCP 1566 EtherCAT 3006:F _h PROFINET 1566

Parameter name HMI menu HMI name	Description	Unit Minimum value Factory setting Maximum value	Data type R/W Persistent Expert	Parameter address via fieldbus
IOsigLIMP	Signal evaluation for positive limit switch. 0 / Inactive: Inactive 1 / Normally Closed: Normally closed NC 2 / Normally Open: Normally open NO Setting can only be modified if power stage is disabled. Modified settings become active the next time the power stage is enabled.	- 0 1 2	UINT16 R/W per. -	CANopen 3006:10 _h Modbus 1568 Profibus 1568 CIP 106.1.16 ModbusTCP 1568 EtherCAT 3006:10 _h PROFINET 1568
IOsigREF	Signal evaluation for reference switch. 1 / Normally Closed: Normally closed NC 2 / Normally Open: Normally open NO The reference switch is only active while a reference movement to the reference switch is processed. Setting can only be modified if power stage is disabled. Modified settings become active the next time the power stage is enabled.	- 1 1 2	UINT16 R/W per. -	CANopen 3006:E _h Modbus 1564 Profibus 1564 CIP 106.1.14 ModbusTCP 1564 EtherCAT 3006:E _h PROFINET 1564
IOsigRespOfPS	Response to active limit switch during enabling of power stage. 0 / Error: Active limit switch triggers an error. 1 / No Error: Active limit switch does not trigger an error. Defines the response when the power stage is enabled while a hardware limit switch is active. Modified settings become active immediately.	- 0 0 1	UINT16 R/W per. -	CANopen 3006:6 _h Modbus 1548 Profibus 1548 CIP 106.1.6 ModbusTCP 1548 EtherCAT 3006:6 _h PROFINET 1548
IOsigVelLim	Signal evaluation for signal input function Velocity Limitation. 1 / Normally Closed: Normally closed NC 2 / Normally Open: Normally open NO Setting can only be modified if power stage is disabled. Modified settings become active the next time the power stage is enabled. Available with firmware version \geq V01.24.	- 1 2 2	UINT16 R/W per. -	CANopen 3008:27 _h Modbus 2126 Profibus 2126 CIP 108.1.39 ModbusTCP 2126 EtherCAT 3008:27 _h PROFINET 2126
IP_IntTimInd	Interpolation time index. Available with firmware version \geq V01.08. * Datatype for CANopen: INT8	- -128 -3 63	INT16* R/W - -	CANopen 60C2:2 _h Modbus 7002 Profibus 7002 CIP 127.1.45 ModbusTCP 7002 EtherCAT 60C2:2 _h PROFINET 7002
IP_IntTimPerVal	Interpolation time period value. Available with firmware version \geq V01.08. * Datatype for CANopen: UINT8	s 0 1 255	UINT16* R/W - -	CANopen 60C2:1 _h Modbus 7000 Profibus 7000 CIP 127.1.44 ModbusTCP 7000 EtherCAT 60C2:1 _h PROFINET 7000
IPp_target	Position reference value for operating mode Interpolated Position. Available with firmware version \geq V01.08.	- -2147483648 - 2147483647	INT32 R/W - -	CANopen 60C1:1 _h Modbus 7004 Profibus 7004 CIP 127.1.46 ModbusTCP 7004 EtherCAT 60C1:1 _h PROFINET 7004
Iref_PTIFreqMax	Reference current for operating mode Profile Torque via PTI interface. Reference current corresponding to 1.6 million increments per second at the PTI interface for operating mode Profile Torque. In increments of 0.01 A _{rms} . Modified settings become active immediately. Available with firmware version \geq V01.20.	A _{rms} 0.00 - 463.00	UINT16 R/W per. -	CANopen 3020:4 _h Modbus 8200 Profibus 8200 CIP 132.1.4 ModbusTCP 8200 EtherCAT 3020:4 _h PROFINET 8200

Parameter name HMI menu HMI name	Description	Unit Minimum value Factory setting Maximum value	Data type R/W Persistent Expert	Parameter address via fieldbus
JOGactivate	Activation of operating mode Jog. Bit 0: Positive direction of movement Bit 1: Negative direction of movement Bit 2: 0=slow 1=fast Modified settings become active immediately.	- 0 0 7	UINT16 R/W - -	CANopen 301B:9 _h Modbus 6930 Profibus 6930 CIP 127.1.9 ModbusTCP 6930 EtherCAT 301B:9 _h PROFINET 6930
JOGmethod	Selection of jog method. 0 / Continuous Movement / c o n : Jog with continuous movement 1 / Step Movement / S t e p : Jog with step movement Modified settings become active immediately.	- 0 1 1	UINT16 R/W - -	CANopen 3029:3 _h Modbus 10502 Profibus 10502 CIP 141.1.3 ModbusTCP 10502 EtherCAT 3029:3 _h PROFINET 10502
JOGstep	Distance for step movement. Modified settings become active the next time the motor moves.	usr_p 1 20 2147483647	INT32 R/W per. -	CANopen 3029:7 _h Modbus 10510 Profibus 10510 CIP 141.1.7 ModbusTCP 10510 EtherCAT 3029:7 _h PROFINET 10510
JOGtime	Wait time for step movement. Modified settings become active the next time the motor moves.	ms 1 500 32767	UINT16 R/W per. -	CANopen 3029:8 _h Modbus 10512 Profibus 10512 CIP 141.1.8 ModbusTCP 10512 EtherCAT 3029:8 _h PROFINET 10512
JOGv_fast o P → J o G - J G h ,	Velocity for fast movement. The adjustable value is internally limited to the parameter setting in RAMP_v_max. Modified settings become active immediately.	usr_v 1 180 2147483647	UINT32 R/W per. -	CANopen 3029:5 _h Modbus 10506 Profibus 10506 CIP 141.1.5 ModbusTCP 10506 EtherCAT 3029:5 _h PROFINET 10506
JOGv_slow o P → J o G - J G L o	Velocity for slow movement. The adjustable value is internally limited to the parameter setting in RAMP_v_max. Modified settings become active immediately.	usr_v 1 60 2147483647	UINT32 R/W per. -	CANopen 3029:4 _h Modbus 10504 Profibus 10504 CIP 141.1.4 ModbusTCP 10504 EtherCAT 3029:4 _h PROFINET 10504
LIM_HaltReaction C o n F → R C G - h t Y P	Halt option code. 1 / Deceleration Ramp / d e c e : Deceleration ramp 3 / Torque Ramp / t o r q : Torque ramp Set the deceleration ramp with parameter RAMP_v_dec. Set the torque ramp with parameter LIM_I_maxHalt. If a deceleration ramp is already active, the parameter cannot be written. Modified settings become active immediately.	- 1 1 3	INT16 R/W per. -	CANopen 605D:0 _h Modbus 1582 Profibus 1582 CIP 106.1.23 ModbusTCP 1582 EtherCAT 605D:0 _h PROFINET 1582

Parameter name HMI menu HMI name	Description	Unit Minimum value Factory setting Maximum value	Data type R/W Persistent Expert	Parameter address via fieldbus
LIM_I_maxHalt CONF → RCG - hcur	<p>Current for Halt.</p> <p>This value is only limited by the minimum/maximum value range (no limitation of this value by motor/power stage).</p> <p>In the case of a Halt, the current limit (I_{max_act}) is one of the following values (whichever is lowest):</p> <ul style="list-style-type: none"> - LIM_I_maxHalt - M_I_max - PS_I_max <p>Further current limitations caused by I2t monitoring are also taken into account during a Halt.</p> <p>Default: PS_I_max at 8 kHz PWM frequency and 230/480 V mains voltage In increments of 0.01 A_{rms}. Modified settings become active immediately.</p>	A_{rms} - - -	UINT16 R/W per. -	CANopen 3011:E _h Modbus 4380 Profibus 4380 CIP 117.1.14 ModbusTCP 4380 EtherCAT 3011:E _h PROFINET 4380
LIM_I_maxQSTP CONF → FLT - qcur	<p>Current for Quick Stop.</p> <p>This value is only limited by the minimum/maximum value range (no limitation of this value by motor/power stage).</p> <p>In the case of a Quick Stop, the current limit (I_{max_act}) is one of the following values (whichever is lowest):</p> <ul style="list-style-type: none"> - LIM_I_maxQSTP - M_I_max - PS_I_max <p>Further current limitations caused by I2t monitoring are also taken into account during a Quick Stop.</p> <p>Default: PS_I_max at 8 kHz PWM frequency and 230/480 V mains voltage In increments of 0.01 A_{rms}. Modified settings become active immediately.</p>	A_{rms} - - -	UINT16 R/W per. -	CANopen 3011:D _h Modbus 4378 Profibus 4378 CIP 117.1.13 ModbusTCP 4378 EtherCAT 3011:D _h PROFINET 4378
LIM_QStopReact	<p>Quick Stop option code.</p> <p>-2 / Torque ramp (Fault): Use torque ramp and transit to operating state 9 Fault</p> <p>-1 / Deceleration Ramp (Fault): Use deceleration ramp and transit to operating state 9 Fault</p> <p>6 / Deceleration ramp (Quick Stop): Use deceleration ramp and remain in operating state 7 Quick Stop</p> <p>7 / Torque ramp (Quick Stop): Use torque ramp and remain in operating state 7 Quick Stop</p> <p>Type of deceleration for Quick Stop.</p> <p>Setting of deceleration ramp with parameter RAMPquickstop. Setting of torque ramp with parameter LIM_I_maxQSTP.</p> <p>If a deceleration ramp is already active, the parameter cannot be written. Modified settings become active immediately.</p>	- -2 6 7	INT16 R/W per. -	CANopen 3006:18 _h Modbus 1584 Profibus 1584 CIP 106.1.24 ModbusTCP 1584 EtherCAT 3006:18 _h PROFINET 1584
Mains_reactor	<p>Mains reactor.</p> <p>0 / No: No</p> <p>1 / Yes: Yes</p> <p>Value 0: No mains reactor connected. The nominal power of the power stage is reduced.</p> <p>Value 1: A mains reactor is connected.</p> <p>Setting can only be modified if power stage is disabled. Modified settings become active immediately.</p>	- 0 1	UINT16 R/W per. -	CANopen 3005:20 _h Modbus 1344 Profibus 1344 CIP 105.1.32 ModbusTCP 1344 EtherCAT 3005:20 _h PROFINET 1344

Parameter name HMI menu HMI name	Description	Unit Minimum value Factory setting Maximum value	Data type R/W Persistent Expert	Parameter address via fieldbus
MBaddress <i>C o n F</i> → <i>C o n -</i> <i>П б а d</i>	Modbus address. Valid addresses: 1 to 247 Modified settings become active the next time the product is powered on.	- 1 1 247	UINT16 R/W per. -	CANopen 3016:4 _h Modbus 5640 Profibus 5640 CIP 122.1.4 ModbusTCP 5640 EtherCAT 3016:4 _h PROFINET 5640
MBbaud <i>C o n F</i> → <i>C o n -</i> <i>П б б d</i>	Modbus baud rate. 9600 / 9600 Baud / 9.5: 9600 Baud 19200 / 19200 Baud / 19.2: 19200 Baud 38400 / 38400 Baud / 38.4: 38400 Baud Modified settings become active the next time the product is powered on.	- 9600 19200 38400	UINT32 R/W per. -	CANopen 3016:3 _h Modbus 5638 Profibus 5638 CIP 122.1.3 ModbusTCP 5638 EtherCAT 3016:3 _h PROFINET 5638
MBnode_guard	Modbus Node Guarding. Value 0: Node Guarding inactive Value >0: Monitoring time A read request or a write request must be performed during the monitoring time. Modified settings become active immediately.	ms 0 0 10000	UINT16 R/W - -	CANopen 3016:6 _h Modbus 5644 Profibus 5644 CIP 122.1.6 ModbusTCP 5644 EtherCAT 3016:6 _h PROFINET 5644
MOD_AbsDirection	Direction of absolute movement with Modulo. 0 / Shortest Distance: Movement with shortest distance 1 / Positive Direction: Movement only in positive direction 2 / Negative Direction: Movement only in negative direction If the parameter is set to 0, the drive calculates the shortest way to the new target position and starts the movement in the corresponding direction. If the distance to the target position is identical in positive and negative directions, the movement takes place in positive direction. Modified settings become active immediately. Available with firmware version ≥V01.01.	- 0 0 2	UINT16 R/W per. -	CANopen 3006:3B _h Modbus 1654 Profibus 1654 CIP 106.1.59 ModbusTCP 1654 EtherCAT 3006:3B _h PROFINET 1654
MOD_AbsMultiRng	Multiple ranges for absolute movement with Modulo. 0 / Multiple Ranges Off: Absolute movement in one modulo range 1 / Multiple Ranges On: Absolute movement in multiple modulo ranges Modified settings become active immediately. Available with firmware version ≥V01.01.	- 0 0 1	UINT16 R/W per. -	CANopen 3006:3C _h Modbus 1656 Profibus 1656 CIP 106.1.60 ModbusTCP 1656 EtherCAT 3006:3C _h PROFINET 1656
MOD_Enable <i>C o n F</i> → <i>A C G -</i> <i>A E Y P</i>	Activation of Modulo function. 0 / Modulo Off / o F F: Modulo is off 1 / Modulo On / o n: Modulo is on Setting can only be modified if power stage is disabled. Modified settings become active immediately. Available with firmware version ≥V01.01.	- 0 0 1	UINT16 R/W per. -	CANopen 3006:38 _h Modbus 1648 Profibus 1648 CIP 106.1.56 ModbusTCP 1648 EtherCAT 3006:38 _h PROFINET 1648
MOD_Max	Maximum position of modulo range. The maximum position value of the modulo range must be greater than the minimum position value of the modulo range. The value must not exceed the maximum possible value of position scaling _ScalePOSmax. Setting can only be modified if power stage is disabled. Modified settings become active immediately. Available with firmware version ≥V01.01.	usr_p - 3600 -	INT32 R/W per. -	CANopen 3006:3A _h Modbus 1652 Profibus 1652 CIP 106.1.58 ModbusTCP 1652 EtherCAT 3006:3A _h PROFINET 1652

Parameter name HMI menu HMI name	Description	Unit Minimum value Factory setting Maximum value	Data type R/W Persistent Expert	Parameter address via fieldbus
MOD_Min	<p>Minimum position of modulo range.</p> <p>The minimum position value of the modulo range must be less than the maximum position value of the modulo range.</p> <p>The value must not exceed the maximum possible value of position scaling <code>_ScalePOSmax</code>.</p> <p>Setting can only be modified if power stage is disabled.</p> <p>Modified settings become active immediately.</p> <p>Available with firmware version $\geq V01.01$.</p>	usr_p - 0 -	INT32 R/W per. -	CANopen 3006:39 _h Modbus 1650 Profibus 1650 CIP 106.1.57 ModbusTCP 1650 EtherCAT 3006:39 _h PROFINET 1650
MON_ChkTime Conf → , - a - t t h r	<p>Monitoring of time window.</p> <p>Adjustment of a time for monitoring of position deviation, velocity deviation, velocity value and current value. If the monitored value is in the permissible range during the adjusted time, the monitoring function delivers a positive result.</p> <p>The status can be output via a parameterizable output.</p> <p>Modified settings become active immediately.</p>	ms 0 0 9999	UINT16 R/W per. -	CANopen 3006:1D _h Modbus 1594 Profibus 1594 CIP 106.1.29 ModbusTCP 1594 EtherCAT 3006:1D _h PROFINET 1594
MON_commutat	<p>Commutation monitoring.</p> <p>0 / Off: Commutation monitoring off</p> <p>1 / On: Commutation monitoring on in operating states 6, 7 and 8</p> <p>2 / On (OpState6+7): Commutation monitoring on in operating states 6 and 7</p> <p>Setting can only be modified if power stage is disabled.</p> <p>Modified settings become active the next time the power stage is enabled.</p>	- 0 1 2	UINT16 R/W per. -	CANopen 3005:5 _h Modbus 1290 Profibus 1290 CIP 105.1.5 ModbusTCP 1290 EtherCAT 3005:5 _h PROFINET 1290
MON_ConfModification	<p>Configuration modification monitoring.</p> <p>Value 0: Modification detected for each write access.</p> <p>Value 1: Modification detected for each write access which modifies a value.</p> <p>Value 2: Identical to value 0 if commissioning software is not connected. Identical to value 1 if commissioning software is connected.</p> <p>Modified settings become active immediately.</p> <p>Available with firmware version $\geq V01.26$.</p>	- 0 2 2	UINT16 R/W per. -	CANopen 3004:1D _h Modbus 1082 Profibus 1082 CIP 104.1.29 ModbusTCP 1082 EtherCAT 3004:1D _h PROFINET 1082
MON_DCbusVdcThresh	<p>DC bus overvoltage monitoring threshold.</p> <p>0 / Reduction Off: Reduction is off</p> <p>1 / Reduction On: Reduction is on</p> <p>This parameter is used to reduce the threshold for DC bus overvoltage monitoring. The parameter only affects single-phase devices supplied with 115 V and three-phase devices supplied with 208 V.</p> <p>Value 0: Single-phase: 450 Vdc Three-phase: 820 Vdc</p> <p>Value 1: Single-phase: 260 Vdc Three-phase: 450 Vdc</p> <p>Setting can only be modified if power stage is disabled.</p> <p>Modified settings become active the next time the power stage is enabled.</p> <p>Available with firmware version $\geq V01.26$.</p>	- 0 0 1	UINT16 R/W per. -	CANopen 3005:3D _h Modbus 1402 Profibus 1402 CIP 105.1.61 ModbusTCP 1402 EtherCAT 3005:3D _h PROFINET 1402

Parameter name HMI menu HMI name	Description	Unit Minimum value Factory setting Maximum value	Data type R/W Persistent Expert	Parameter address via fieldbus
MON_ENC_Ampl	Activation of monitoring of SinCos amplitude. Value 0: Deactivate monitoring Value 1: Activate monitoring Modified settings become active immediately. Available with firmware version \geq V01.26.	- 0 0 1	UINT16 R/W - -	CANopen 303F:61 _h Modbus 16322 Profibus 16322 CIP 163.1.97 ModbusTCP 16322 EtherCAT 303F:61 _h PROFINET 16322
MON_GroundFault	Ground monitoring. 0 / Off: Ground monitoring off 1 / On: Ground monitoring on Modified settings become active the next time the product is powered on.	- 0 1 1	UINT16 R/W per. expert	CANopen 3005:10 _h Modbus 1312 Profibus 1312 CIP 105.1.16 ModbusTCP 1312 EtherCAT 3005:10 _h PROFINET 1312
MON_HW_Limits	Temporary deactivation of hardware limit switches. 0 / None: No limit switch deactivated 1 / Positive Limit Switch: Deactivate positive limit switch 2 / Negative Limit Switch: Deactivate negative limit switch 3 / Both Limit Switches: Deactivate both limit switches With this parameter, a PLC can temporarily deactivate hardware limit switches. This is useful if a homing procedure controlled by a PLC is to use a limit switch as a reference switch without an error response of the drive. The parameter is only available with the EtherCAT module. Modified settings become active immediately.	- 0 0 3	UINT16 R/W - -	CANopen 3006:11 _h Modbus 1570 Profibus 1570 CIP 106.1.17 ModbusTCP 1570 EtherCAT 3006:11 _h PROFINET 1570
MON_I_Threshold <i>CONF → i - a - lthr</i>	Monitoring of current threshold. The system monitors whether the drive is below the defined value during the period set with MON_ChkTime. The status can be output via a parameterizable output. The parameter <code>_lq_act_rms</code> is used as comparison value. In increments of 0.01 A_{rms} . Modified settings become active immediately.	A_{rms} 0.00 0.20 300.00	UINT16 R/W per. -	CANopen 3006:1C _h Modbus 1592 Profibus 1592 CIP 106.1.28 ModbusTCP 1592 EtherCAT 3006:1C _h PROFINET 1592
MON_IO_SelErr1	Signal output function Selected Error (error classes 1 to 4): First error code. This parameter specifies the error code of an error of error classes 1 ... 4 which is to activate the signal output function. Modified settings become active immediately.	- 0 0 65535	UINT16 R/W per. -	CANopen 303B:6 _h Modbus 15116 Profibus 15116 CIP 159.1.6 ModbusTCP 15116 EtherCAT 303B:6 _h PROFINET 15116
MON_IO_SelErr2	Signal output function Selected Error (error classes 1 to 4): Second error code. This parameter specifies the error code of an error of error classes 1 ... 4 which is to activate the signal output function. Modified settings become active immediately.	- 0 0 65535	UINT16 R/W per. -	CANopen 303B:7 _h Modbus 15118 Profibus 15118 CIP 159.1.7 ModbusTCP 15118 EtherCAT 303B:7 _h PROFINET 15118

Parameter name HMI menu HMI name	Description	Unit Minimum value Factory setting Maximum value	Data type R/W Persistent Expert	Parameter address via fieldbus
MON_IO_SelWar1	Signal output function Selected Warning (error class 0): First error code. This parameter specifies the error code of an error of error class 0 which is to activate the signal output function. Modified settings become active immediately.	- 0 0 65535	UINT16 R/W per. -	CANopen 303B:8 _h Modbus 15120 Profibus 15120 CIP 159.1.8 ModbusTCP 15120 EtherCAT 303B:8 _h PROFINET 15120
MON_IO_SelWar2	Signal output function Selected Warning (error class 0): Second error code. This parameter specifies the error code of an error of error class 0 which is to activate the signal output function. Modified settings become active immediately.	- 0 0 65535	UINT16 R/W per. -	CANopen 303B:9 _h Modbus 15122 Profibus 15122 CIP 159.1.9 ModbusTCP 15122 EtherCAT 303B:9 _h PROFINET 15122
MON_MainsVolt	Detection and monitoring of mains phases. 0 / Automatic Mains Detection: Automatic detection and monitoring of mains voltage 1 / DC-Bus Only (Mains 1~230 V / 3~480 V): DC bus supply only, corresponding to mains voltage 230 V (single-phase) or 480 V (three phases) 2 / DC-Bus Only (Mains 1~115 V / 3~208 V): DC bus supply only, corresponding to mains voltage 115 V (single-phase) or 208 V (three phases) 3 / Mains 1~230 V / 3~480 V: Mains voltage 230 V (single-phase) or 480 V (three phases) 4 / Mains 1~115 V / 3~208 V: Mains voltage 115 V (single-phase) or 208 V (three phases) 5 / Reserved: Reserved Value 0: As soon as mains voltage detected, the device automatically verifies whether the mains voltage is 115 V or 230 V in the case of single-phase devices or 208 V or 400/480 V in the case of three-phase devices. Values 1 ... 2: If the device is supplied only via the DC bus, the parameter has to be set to the voltage value corresponding to the mains voltage of the supplying device. There is no mains voltage monitoring. Values 3 ... 4: If the mains voltage is not detected properly during start-up, the mains voltage to be used can be selected manually. Setting can only be modified if power stage is disabled. Modified settings become active the next time the power stage is enabled.	- 0 0 5	UINT16 R/W per. expert	CANopen 3005:F _h Modbus 1310 Profibus 1310 CIP 105.1.15 ModbusTCP 1310 EtherCAT 3005:F _h PROFINET 1310
MON_p_dif_load	Maximum load-dependent position deviation. The load-dependent position deviation is the difference between the reference position and the actual position caused by the load. The parameter MON_p_dif_load_usr allows you to enter the value in user-defined units. In increments of 0.0001 revolution. Modified settings become active immediately.	revolution 0.0001 1.0000 200.0000	UINT32 R/W per. -	CANopen 6065:0 _h Modbus 1606 Profibus 1606 CIP 106.1.35 ModbusTCP 1606 EtherCAT 6065:0 _h PROFINET 1606
MON_p_dif_load_usr	Maximum load-dependent position deviation. The load-dependent position deviation is the difference between the reference position and the actual position caused by the load. The minimum value, the factory setting and the maximum value depend on the scaling factor. Modified settings become active immediately. Available with firmware version ≥V01.03.	usr_p 1 16384 2147483647	INT32 R/W per. -	CANopen 3006:3E _h Modbus 1660 Profibus 1660 CIP 106.1.62 ModbusTCP 1660 EtherCAT 3006:3E _h PROFINET 1660

Parameter name HMI menu HMI name	Description	Unit Minimum value Factory setting Maximum value	Data type R/W Persistent Expert	Parameter address via fieldbus
MON_p_dif_warn	Advisory limit of the load-dependent position deviation (error class 0). 100.0 % correspond to the maximum position deviation (following error) as specified by means of parameter MON_p_dif_load. Modified settings become active immediately.	% 0 75 100	UINT16 R/W per. -	CANopen 3006:29 _h Modbus 1618 Profibus 1618 CIP 106.1.41 ModbusTCP 1618 EtherCAT 3006:29 _h PROFINET 1618
MON_p_DiffWin	Monitoring of position deviation. The system verifies whether the drive is within the defined deviation during the period set with MON_ChkTime. The status can be output via a parameterizable output. The parameter MON_p_DiffWin_usr allows you to enter the value in user-defined units. In increments of 0.0001 revolution. Modified settings become active immediately.	revolution 0.0000 0.0010 0.9999	UINT16 R/W per. -	CANopen 3006:19 _h Modbus 1586 Profibus 1586 CIP 106.1.25 ModbusTCP 1586 EtherCAT 3006:19 _h PROFINET 1586
MON_p_DiffWin_usr	Monitoring of position deviation. The system verifies whether the drive is within the defined deviation during the period set with MON_ChkTime. The status can be output via a parameterizable output. The minimum value, the factory setting and the maximum value depend on the scaling factor. Modified settings become active immediately. Available with firmware version ≥V01.03.	usr_p 0 16 2147483647	INT32 R/W per. -	CANopen 3006:3F _h Modbus 1662 Profibus 1662 CIP 106.1.63 ModbusTCP 1662 EtherCAT 3006:3F _h PROFINET 1662
MON_p_win	Standstill window, permissible control deviation. The control deviation for the standstill window time must be within this range for a standstill of the drive to be detected. Processing of the standstill window must be activated via the parameter MON_p_winTime. The parameter MON_p_win_usr allows you to enter the value in user-defined units. In increments of 0.0001 revolution. Modified settings become active immediately. * Datatype for CANopen: UINT32	revolution 0.0000 0.0010 3.2767	UINT16* R/W per. -	CANopen 6067:0 _h Modbus 1608 Profibus 1608 CIP 106.1.36 ModbusTCP 1608 EtherCAT 6067:0 _h PROFINET 1608
MON_p_win_usr	Standstill window, permissible control deviation. The control deviation for the standstill window time must be within this range for a standstill of the drive to be detected. Processing of the standstill window must be activated via the parameter MON_p_winTime. The minimum value, the factory setting and the maximum value depend on the scaling factor. Modified settings become active immediately. Available with firmware version ≥V01.03.	usr_p 0 16 2147483647	INT32 R/W per. -	CANopen 3006:40 _h Modbus 1664 Profibus 1664 CIP 106.1.64 ModbusTCP 1664 EtherCAT 3006:40 _h PROFINET 1664
MON_p_winTime	Standstill window, time. Value 0: Monitoring of standstill window deactivated Value >0: Time in ms during which the control deviation must be in the standstill window Modified settings become active immediately.	ms 0 0 32767	UINT16 R/W per. -	CANopen 6068:0 _h Modbus 1610 Profibus 1610 CIP 106.1.37 ModbusTCP 1610 EtherCAT 6068:0 _h PROFINET 1610

Parameter name HMI menu HMI name	Description	Unit Minimum value Factory setting Maximum value	Data type R/W Persistent Expert	Parameter address via fieldbus
MON_p_winTout	Timeout time for standstill window monitoring. Value 0: Timeout monitoring deactivated Value >0: Timeout time in ms Standstill window processing values are set via MON_p_win and MON_p_winTime. Time monitoring starts when the target position (reference position of position controller) is reached or when the profile generator has finished processing. Modified settings become active immediately.	ms 0 0 16000	UINT16 R/W per. -	CANopen 3006:26 _h Modbus 1612 Profibus 1612 CIP 106.1.38 ModbusTCP 1612 EtherCAT 3006:26 _h PROFINET 1612
MON_SW_Limits	Activation of software limit switches. 0 / None: Deactivated 1 / SWLIMP: Activation of software limit switches positive direction 2 / SWLIMN: Activation of software limit switches negative direction 3 / SWLIMP+SWLIMN: Activation of software limit switches both directions Software limit switches can only be activated if the zero point is valid. Modified settings become active immediately.	- 0 0 3	UINT16 R/W per. -	CANopen 3006:3 _h Modbus 1542 Profibus 1542 CIP 106.1.3 ModbusTCP 1542 EtherCAT 3006:3 _h PROFINET 1542
MON_SWLimMode	Behavior when position limit is reached. 0 / Standstill Behind Position Limit: Quick Stop is triggered at position limit and standstill is reached behind position limit 1 / Standstill At Position Limit: Quick Stop is triggered in front of position limit and standstill is reached at position limit Modified settings become active immediately. Available with firmware version ≥V01.16.	- 0 0 1	UINT16 R/W per. -	CANopen 3006:47 _h Modbus 1678 Profibus 1678 CIP 106.1.71 ModbusTCP 1678 EtherCAT 3006:47 _h PROFINET 1678
MON_swLimN	Negative position limit for software limit switch. See description 'MON_swLimP'. Setting can only be modified if power stage is disabled. Modified settings become active the next time the power stage is enabled.	usr_p - -2147483648 -	INT32 R/W per. -	CANopen 607D:1 _h Modbus 1546 Profibus 1546 CIP 106.1.5 ModbusTCP 1546 EtherCAT 607D:1 _h PROFINET 1546
MON_swLimP	Positive position limit for software limit switch. If a user-defined value entered is outside of the permissible range, the limit switch limits are automatically set to the maximum user-defined value. Setting can only be modified if power stage is disabled. Modified settings become active the next time the power stage is enabled.	usr_p - 2147483647 -	INT32 R/W per. -	CANopen 607D:2 _h Modbus 1544 Profibus 1544 CIP 106.1.4 ModbusTCP 1544 EtherCAT 607D:2 _h PROFINET 1544
MON_tq_win	Torque window, permissible deviation. The torque window can only be activated in operating mode Profile Torque. In increments of 0.1 %. Modified settings become active immediately.	% 0.0 3.0 3000.0	UINT16 R/W per. -	CANopen 3006:2D _h Modbus 1626 Profibus 1626 CIP 106.1.45 ModbusTCP 1626 EtherCAT 3006:2D _h PROFINET 1626
MON_tq_winTime	Torque window, time. Value 0: Torque window monitoring deactivated Changing the value causes a restart of torque monitoring. Torque window is only used in operating mode Profile Torque. Modified settings become active immediately.	ms 0 0 16383	UINT16 R/W per. -	CANopen 3006:2E _h Modbus 1628 Profibus 1628 CIP 106.1.46 ModbusTCP 1628 EtherCAT 3006:2E _h PROFINET 1628

Parameter name HMI menu HMI name	Description	Unit Minimum value Factory setting Maximum value	Data type R/W Persistent Expert	Parameter address via fieldbus
MON_v_DiffWin	Monitoring of velocity deviation. The system monitors whether the drive is within the defined deviation during the period set with MON_ChkTime. The status can be output via a parameterizable output. Modified settings become active immediately.	usr_v 1 10 2147483647	UINT32 R/W per. -	CANopen 3006:1A _h Modbus 1588 Profibus 1588 CIP 106.1.26 ModbusTCP 1588 EtherCAT 3006:1A _h PROFINET 1588
MON_v_Threshold	Monitoring of velocity threshold. The system monitors whether the drive is below the defined value during the period set with MON_ChkTime. The status can be output via a parameterizable output. Modified settings become active immediately.	usr_v 1 10 2147483647	UINT32 R/W per. -	CANopen 3006:1B _h Modbus 1590 Profibus 1590 CIP 106.1.27 ModbusTCP 1590 EtherCAT 3006:1B _h PROFINET 1590
MON_v_win	Velocity window, permissible deviation. Modified settings become active immediately. * Datatype for CANopen: UINT16	usr_v 1 10 2147483647	UINT32* R/W per. -	CANopen 606D:0 _h Modbus 1576 Profibus 1576 CIP 106.1.20 ModbusTCP 1576 EtherCAT 606D:0 _h PROFINET 1576
MON_v_winTime	Velocity window, time. Value 0: Velocity window monitoring deactivated Changing the value causes a restart of velocity monitoring. Modified settings become active immediately.	ms 0 0 16383	UINT16 R/W per. -	CANopen 606E:0 _h Modbus 1578 Profibus 1578 CIP 106.1.21 ModbusTCP 1578 EtherCAT 606E:0 _h PROFINET 1578
MON_v_zeroclamp	Velocity limit for Zero Clamp. A Zero Clamp operation is only possible if the reference velocity is below the Zero Clamp velocity limit. Modified settings become active immediately.	usr_v 0 10 2147483647	UINT32 R/W per. -	CANopen 3006:28 _h Modbus 1616 Profibus 1616 CIP 106.1.40 ModbusTCP 1616 EtherCAT 3006:28 _h PROFINET 1616
MON_velDiff	Maximum load-dependent velocity deviation. Value 0: Monitoring deactivated. Value >0: Maximum value Modified settings become active immediately. Available with firmware version \geq V01.26.	usr_v 0 0 2147483647	UINT32 R/W per. -	CANopen 3006:4B _h Modbus 1686 Profibus 1686 CIP 106.1.75 ModbusTCP 1686 EtherCAT 3006:4B _h PROFINET 1686
MON_velDiff_Ti me	Time window for maximum load-dependent velocity deviation. Value 0: Monitoring deactivated. Value >0: Time window for maximum value Modified settings become active immediately. Available with firmware version \geq V01.26.	ms 0 10 -	UINT16 R/W per. -	CANopen 3006:4C _h Modbus 1688 Profibus 1688 CIP 106.1.76 ModbusTCP 1688 EtherCAT 3006:4C _h PROFINET 1688

Parameter name HMI menu HMI name	Description	Unit Minimum value Factory setting Maximum value	Data type R/W Persistent Expert	Parameter address via fieldbus
MON_VelDiffOps t578	<p>Maximum load-dependent velocity deviation for operating states 5, 7 and 8.</p> <p>Maximum load-dependent velocity deviation for operating states 5 Switch On, 7 Quick Stop Active and 8 Fault Reaction Active.</p> <p>Value 0: Monitoring deactivated. Value >0: Maximum value.</p> <p>Monitoring is active if parameter LIM_QStopReact is set to "Deceleration Ramp (Fault)" or to "Deceleration ramp (Quick Stop)". Setting can only be modified if power stage is disabled. Modified settings become active the next time the power stage is enabled.</p>	usr_v 0 0 2147483647	UINT32 R/W per. -	CANopen 3006:48 _h Modbus 1680 Profibus 1680 CIP 106.1.72 ModbusTCP 1680 EtherCAT 3006:48 _h PROFINET 1680
MSM_AddtlSettings	<p>Additional settings for operating mode Motion Sequence.</p> <p>Bit 0 = 0: After Relative Movement After Capture (RMAC), the operating mode Motion Sequence is resumed without a rising edge or a falling edge of the signal input function Start Motion Sequence. Bit 0 = 1: After Relative Movement After Capture (RMAC), the operating mode Motion Sequence is resumed with a rising edge or a falling edge of the signal input function Start Motion Sequence. Modified settings become active immediately. Available with firmware version ≥V01.26.</p>	- 0 0 65535	UINT16 R/W per. -	CANopen 302D:21 _h Modbus 11586 Profibus 11586 CIP 145.1.33 ModbusTCP 11586 EtherCAT 302D:21 _h PROFINET 11586
MSM_CondSequ	<p>Start condition for the start of a sequence via a signal input.</p> <p>0 / Rising Edge: Rising edge 1 / Falling Edge: Falling edge 2 / 1-level: 1 level 3 / 0-level: 0 level</p> <p>The start condition defines the way the start request is to be processed. This setting is used for the first start after activation of the operating mode. Modified settings become active the next time the motor moves.</p>	- 0 0 3	UINT16 R/W per. -	CANopen 302D:8 _h Modbus 11536 Profibus 11536 CIP 145.1.8 ModbusTCP 11536 EtherCAT 302D:8 _h PROFINET 11536
MSM_datasetnum	<p>Selection of data set number in data set table.</p> <p>Before an entry in the data set table can be read or written, the corresponding data set number must be selected. Modified settings become active immediately.</p>	- 0 0 127	UINT16 R/W - -	CANopen 302D:10 _h Modbus 11552 Profibus 11552 CIP 145.1.16 ModbusTCP 11552 EtherCAT 302D:10 _h PROFINET 11552
MSM_DebDigInNum	<p>Debounce time for data set selection.</p> <p>Debounce time for which the signal at the digital input must be stable before the data set is considered to be valid. The debounce time is the value of this parameter multiplied by 250 μs. The value 0 deactivates debouncing.</p> <p>Modified settings become active immediately. Available with firmware version ≥V01.20.</p>	- 0 0 32767	UINT16 R/W per. -	CANopen 302D:20 _h Modbus 11584 Profibus 11584 CIP 145.1.32 ModbusTCP 11584 EtherCAT 302D:20 _h PROFINET 11584
MSM_ds_logopera	<p>Logical operator.</p> <p>0 / None: None 1 / Logical AND: Logical AND 2 / Logical OR: Logical OR</p> <p>Transition condition 1 and transition condition 2 can be logically combined. Modified settings become active immediately.</p>	- 0 0 2	UINT16 R/W per. -	CANopen 302D:1A _h Modbus 11572 Profibus 11572 CIP 145.1.26 ModbusTCP 11572 EtherCAT 302D:1A _h PROFINET 11572

Parameter name HMI menu HMI name	Description	Unit Minimum value Factory setting Maximum value	Data type R/W Persistent Expert	Parameter address via fieldbus
MSM_ds_setA	<p>Setting A. The value depends on the type of data set as selected with parameter MSM_ds_type:</p> <ul style="list-style-type: none"> - Move Absolute: Acceleration - Move Relative: Acceleration - Reference Movement: Homing method (except method 35) - Position Setting: Position for Position Setting - Repeat: Loop counter (1 ... 65535) - Move Additive: Acceleration - Move Velocity: Acceleration - Gear: Synchronization method - Write Parameter: Modbus address of the parameter <p>Modified settings become active immediately.</p>	- -2147483648 0 2147483647	INT32 R/W per. -	CANopen 302D:12 _h Modbus 11556 Profibus 11556 CIP 145.1.18 ModbusTCP 11556 EtherCAT 302D:12 _h PROFINET 11556
MSM_ds_setB	<p>Setting B. The value depends on the type of data set as selected with parameter MSM_ds_type:</p> <ul style="list-style-type: none"> - Move Absolute: Velocity - Move Relative: Velocity - Reference Movement: Position at reference point after a successful reference movement - Position Setting: - - Repeat: Number of data set to be executed - Move Additive: Velocity - Move Velocity: Velocity - Gear: Numerator - Write Parameter: Value of the parameter <p>Modified settings become active immediately.</p>	- -2147483648 0 2147483647	INT32 R/W per. -	CANopen 302D:13 _h Modbus 11558 Profibus 11558 CIP 145.1.19 ModbusTCP 11558 EtherCAT 302D:13 _h PROFINET 11558
MSM_ds_setC	<p>Setting C. The value depends on the type of data set as selected with parameter MSM_ds_type:</p> <ul style="list-style-type: none"> - Move Absolute: Absolute position - Move Relative: Relative position - Reference Movement: - - Position Setting: - - Repeat: - - Move Additive: Relative position - Move Velocity: Selection of direction <p>Value 0: Positive Value 1: Negative Value 2: Active direction</p> <ul style="list-style-type: none"> - Gear: Denominator - Write Parameter: - <p>Modified settings become active immediately.</p>	- -2147483648 0 2147483647	INT32 R/W per. -	CANopen 302D:14 _h Modbus 11560 Profibus 11560 CIP 145.1.20 ModbusTCP 11560 EtherCAT 302D:14 _h PROFINET 11560
MSM_ds_setD	<p>Setting D. The value depends on the type of data set as selected with parameter MSM_ds_type:</p> <ul style="list-style-type: none"> - Move Absolute: Deceleration - Move Relative: Deceleration - Reference Movement: - - Position Setting: - - Repeat: - - Move Additive: Deceleration - Move Velocity: Deceleration - Gear: - - Write Parameter: - <p>Modified settings become active immediately.</p>	- -2147483648 0 2147483647	INT32 R/W per. -	CANopen 302D:15 _h Modbus 11562 Profibus 11562 CIP 145.1.21 ModbusTCP 11562 EtherCAT 302D:15 _h PROFINET 11562

Parameter name HMI menu HMI name	Description	Unit Minimum value Factory setting Maximum value	Data type R/W Persistent Expert	Parameter address via fieldbus
MSM_ds_sub_ds	Subsequent data set. Number of the next data set to be started. Modified settings become active immediately.	- 0 0 127	UINT16 R/W per. -	CANopen 302D:17 _h Modbus 11566 Profibus 11566 CIP 145.1.23 ModbusTCP 11566 EtherCAT 302D:17 _h PROFINET 11566
MSM_ds_trancon 1	Transition condition 1. 0 / Continue Without Condition: Continue without condition 1 / Wait Time: Wait time 2 / Start Request Edge: Start request edge 3 / Start Request Level: Start request level Modified settings become active immediately.	- 0 0 3	UINT16 R/W per. -	CANopen 302D:18 _h Modbus 11568 Profibus 11568 CIP 145.1.24 ModbusTCP 11568 EtherCAT 302D:18 _h PROFINET 11568
MSM_ds_trancon 2	Transition condition 2. 0 / Continue Without Condition: Continue without condition 2 / Start Request Edge: Start request edge 3 / Start Request Level: Start request level Modified settings become active immediately.	- 0 0 3	UINT16 R/W per. -	CANopen 302D:1C _h Modbus 11576 Profibus 11576 CIP 145.1.28 ModbusTCP 11576 EtherCAT 302D:1C _h PROFINET 11576
MSM_ds_transit i	Transition type. 0 / No Transition: No transition 1 / Abort And Go Next: Abort and go next 2 / Buffer And Start Next: Buffer and start next 3 / Blending Previous: Blending previous 4 / Blending Next: Blending next Modified settings become active immediately.	- 0 0 4	UINT16 R/W per. -	CANopen 302D:16 _h Modbus 11564 Profibus 11564 CIP 145.1.22 ModbusTCP 11564 EtherCAT 302D:16 _h PROFINET 11564
MSM_ds_tranval 1	Value for transition condition 1. The value depends on the type of data set as selected with parameter MSM_ds_trancon1: - Continue Without Condition: No transition condition value - Waiting Time: Wait time in ms Values: 0 ... 30000 - Start Request Edge: Start request edge Value 0: Rising edge Value 1: Falling edge Value 4: Rising or falling edge - Start Request Level: Start request level Value 2: 1 level Value 3: 0 level Modified settings become active immediately.	- 0 0 30000	INT32 R/W per. -	CANopen 302D:19 _h Modbus 11570 Profibus 11570 CIP 145.1.25 ModbusTCP 11570 EtherCAT 302D:19 _h PROFINET 11570

Parameter name HMI menu HMI name	Description	Unit Minimum value Factory setting Maximum value	Data type R/W Persistent Expert	Parameter address via fieldbus
MSM_ds_tranval 2	Value for transition condition 2. The value depends on the type of data set as selected with parameter MSM_ds_trancon2: - Continue Without Condition: No transition condition value - Start Request Edge: Start request edge Value 0: Rising edge Value 1: Falling edge Value 4: Rising or falling edge - Start Request Level: Start request level Value 2: 1 level Value 3: 0 level Modified settings become active immediately.	- 0 0 4	INT32 R/W per. -	CANopen 302D:1D _h Modbus 11578 Profibus 11578 CIP 145.1.29 ModbusTCP 11578 EtherCAT 302D:1D _h PROFINET 11578
MSM_ds_type	Data set type. 0 / None: None 1 / Move Absolute: Absolute movement 2 / Move Additive: Additive movement 3 / Reference Movement: Reference movement 4 / Position Setting: Position setting 5 / Repeat: Repeat 6 / Move Relative: Relative movement 7 / Move Velocity: Movement with a defined velocity 8 / Gear: Movement with a defined gear factor 9 / Write Parameter: Write a parameter The values for the selected data set type are specified by means of the parameters MSM_ds_set1 to MSM_ds_set4. Modified settings become active immediately.	- 0 0 9	UINT16 R/W per. -	CANopen 302D:11 _h Modbus 11554 Profibus 11554 CIP 145.1.17 ModbusTCP 11554 EtherCAT 302D:11 _h PROFINET 11554
MSM_start_ds	Selection of a data set to be started for operating mode Motion Sequence. Modified settings become active immediately.	- 0 0 127	UINT16 R/W - -	CANopen 301B:A _h Modbus 6932 Profibus 6932 CIP 127.1.10 ModbusTCP 6932 EtherCAT 301B:A _h PROFINET 6932
MSMendNumSequence	Selection of the data set number after the end of a sequence. 0 / DataSetSelect: Data set is set via the signal input function "Data Set Select" 1 / Automatic: Data set is set automatically Value 0: After the end of a sequence, the selected data set must be set via the signal input function "Data Set Select". Value 1: After the end of a sequence, the selected data set is set automatically. Setting can only be modified if power stage is disabled. Modified settings become active immediately. Available with firmware version ≥V01.09.	- 0 0 1	UINT16 R/W per. -	CANopen 302D:9 _h Modbus 11538 Profibus 11538 CIP 145.1.9 ModbusTCP 11538 EtherCAT 302D:9 _h PROFINET 11538
MSMstartSignal	Response to falling edge at signal input for 'Start Signal Data Set'. 0 / No Reaction: No response 1 / Cancel Movement: Cancel active movement Setting can only be modified if power stage is disabled. Modified settings become active immediately. Available with firmware version ≥V01.09.	- 0 0 1	UINT16 R/W per. -	CANopen 302D:C _h Modbus 11544 Profibus 11544 CIP 145.1.12 ModbusTCP 11544 EtherCAT 302D:C _h PROFINET 11544
MT_dismax	Maximum permissible distance. If the reference value is active and the maximum permissible distance is exceeded, an error of error class 1 is detected. The value 0 switches off monitoring. The parameter MT_dismax_usr allows you to enter the value in user-defined units. In increments of 0.1 revolution. Modified settings become active the next time the motor moves.	revolution 0.0 1.0 999.9	UINT16 R/W - -	CANopen 302E:3 _h Modbus 11782 Profibus 11782 CIP 146.1.3 ModbusTCP 11782 EtherCAT 302E:3 _h PROFINET 11782

Parameter name HMI menu HMI name	Description	Unit Minimum value Factory setting Maximum value	Data type R/W Persistent Expert	Parameter address via fieldbus
MT_dismax_usr	<p>Maximum permissible distance. If the reference value is active and the maximum permissible distance is exceeded, an error of error class 1 is detected.</p> <p>The value 0 switches off monitoring.</p> <p>The minimum value, the factory setting and the maximum value depend on the scaling factor. Modified settings become active the next time the motor moves. Available with firmware version $\geq V01.03$.</p>	usr_p 0 16384 2147483647	INT32 R/W - -	CANopen 302E:A _h Modbus 11796 Profibus 11796 CIP 146.1.10 ModbusTCP 11796 EtherCAT 302E:A _h PROFINET 11796
OFS_PosActivate	<p>Offset movement with relative offset position. This parameter starts an offset movement with one of the relative offset positions specified by means of the parameters OFSp_RelPos1 and OFSp_RelPos2.</p> <p>Value 0: No offset movement Value 1: Start offset movement with relative offset position 1 (OFSp_RelPos1) Value 2: Start offset movement with relative offset position 2 (OFSp_RelPos2) Modified settings become active immediately.</p>	- 0 0 3	UINT16 R/W - -	CANopen 3027:B _h Modbus 10006 Profibus 10006 CIP 139.1.11 ModbusTCP 10006 EtherCAT 3027:B _h PROFINET 10006
OFS_Ramp	<p>Acceleration and deceleration for offset movement. Setting can only be modified if power stage is disabled. Modified settings become active the next time the power stage is enabled.</p>	usr_a 1 600 2147483647	UINT32 R/W per. -	CANopen 3027:6 _h Modbus 9996 Profibus 9996 CIP 139.1.6 ModbusTCP 9996 EtherCAT 3027:6 _h PROFINET 9996
OFSp_abs	<p>Start absolute offset movement. Modified settings become active immediately.</p>	Inc -2147483648 - 2147483647	INT32 R/W - -	CANopen 3027:1 _h Modbus 9986 Profibus 9986 CIP 139.1.1 ModbusTCP 9986 EtherCAT 3027:1 _h PROFINET 9986
OFSp_rel	<p>Start relative offset movement. Modified settings become active immediately.</p>	Inc -2147483648 0 2147483647	INT32 R/W - -	CANopen 3027:3 _h Modbus 9990 Profibus 9990 CIP 139.1.3 ModbusTCP 9990 EtherCAT 3027:3 _h PROFINET 9990
OFSp_RelPos1	<p>Relative offset position 1 for offset movement. Modified settings become active immediately.</p>	Inc -2147483648 0 2147483647	INT32 R/W per. -	CANopen 3027:8 _h Modbus 10000 Profibus 10000 CIP 139.1.8 ModbusTCP 10000 EtherCAT 3027:8 _h PROFINET 10000
OFSp_RelPos2	<p>Relative offset position 2 for offset movement. Modified settings become active immediately.</p>	Inc -2147483648 0 2147483647	INT32 R/W per. -	CANopen 3027:A _h Modbus 10004 Profibus 10004 CIP 139.1.10 ModbusTCP 10004 EtherCAT 3027:A _h PROFINET 10004

Parameter name HMI menu HMI name	Description	Unit Minimum value Factory setting Maximum value	Data type R/W Persistent Expert	Parameter address via fieldbus
OFSp_SetPos	Set offset position. Modified settings become active immediately.	Inc -2147483648 0 2147483647	INT32 R/W - -	CANopen 3027:5 _h Modbus 9994 Profibus 9994 CIP 139.1.5 ModbusTCP 9994 EtherCAT 3027:5 _h PROFINET 9994
OFSv_target	Target velocity for offset movement. The maximum value is 5000 if the user-defined scaling factor of the velocity scaling is 1. This applies to the user-defined scaling factors. Example: If the user-defined scaling factor of the velocity scaling is 2 (ScaleVELnum = 2, ScaleVELdenom = 1), the maximum value is 2500. Modified settings become active immediately.	usr_v 1 60 2147483647	UINT32 R/W per. -	CANopen 3027:4 _h Modbus 9992 Profibus 9992 CIP 139.1.4 ModbusTCP 9992 EtherCAT 3027:4 _h PROFINET 9992
p_MaxDifToENC2	Maximum permissible deviation of encoder positions. The maximum permissible position deviation between the encoder positions is cyclically monitored. If the limit is exceeded, an error is detected. The position deviation is available via the parameter 'p_DifEnc1ToEnc2'. The default value corresponds to 1/2 motor revolution. The maximum value corresponds to 100 motor revolutions. Setting can only be modified if power stage is disabled. Modified settings become active the next time the power stage is enabled.	Inc 1 65536 13107200	INT32 R/W per. -	CANopen 3050:7 _h Modbus 20494 Profibus 20494 CIP 180.1.7 ModbusTCP 20494 EtherCAT 3050:7 _h PROFINET 20494
p_PTI_act_set	Position value at PTI interface. Available with firmware version \geq V01.26.	Inc -2147483648 - 2147483647	INT32 R/W - -	CANopen 3008:29 _h Modbus 2130 Profibus 2130 CIP 108.1.41 ModbusTCP 2130 EtherCAT 3008:29 _h PROFINET 2130
PAR_CTRLreset CONF → FCS - RESC	Reset control loop parameters. 0/No/na: No 1/Yes/YES: Yes Reset of the control loop parameters. The control loop parameters are recalculated on the basis of the motor data of the connected motor. Current and velocity limitations are not reset. Therefore, a user parameter reset is required. The new settings are not saved to the nonvolatile memory. Setting can only be modified if power stage is disabled. Modified settings become active immediately.	- 0 0 1	UINT16 R/W - -	CANopen 3004:7 _h Modbus 1038 Profibus 1038 CIP 104.1.7 ModbusTCP 1038 EtherCAT 3004:7 _h PROFINET 1038
PAR_ScalingStart	Recalculation of parameters with user-defined units. The parameters with user-defined units can be recalculated with a changed scaling factor. Value 0: Inactive Value 1: Initialize recalculation Value 2: Start recalculation Setting can only be modified if power stage is disabled. Modified settings become active immediately. Available with firmware version \geq V01.03.	- 0 0 2	UINT16 R/W - -	CANopen 3004:14 _h Modbus 1064 Profibus 1064 CIP 104.1.20 ModbusTCP 1064 EtherCAT 3004:14 _h PROFINET 1064

Parameter name HMI menu HMI name	Description	Unit Minimum value Factory setting Maximum value	Data type R/W Persistent Expert	Parameter address via fieldbus
PAReepSave	<p>Save parameter values to the nonvolatile memory. Value 1: Save persistent parameters</p> <p>The currently set parameters are saved to the nonvolatile memory. The saving process is complete when the parameter is read and 0 is returned.</p> <p>Parameters for the safety module eSM are modified using the commissioning software. The parameter values are saved persistently after transfer. Explicit saving to the persistent memory is not required in the case of the safety module eSM. Modified settings become active immediately.</p>	- - - -	UINT16 R/W - -	CANopen 3004:1 _h Modbus 1026 Profibus 1026 CIP 104.1.1 ModbusTCP 1026 EtherCAT 3004:1 _h PROFINET 1026
PARuserReset CONF → FCS - REsu	<p>Reset user parameters. 0/No/na: No 65535/Yes/YES: Yes</p> <p>Bit 0: Reset persistent user parameters and control loop parameters to default values Bit 1: Reset Motion Sequence parameters to default values Bits 2 ... 15: Reserved</p> <p>The parameters are reset with the exception of: - Communication parameters - Inversion of direction of movement - Type of reference value signal for PTI interface - Settings of encoder simulation - Functions of digital inputs and outputs - Safety module eSM</p> <p>The new settings are not saved to the nonvolatile memory. Setting can only be modified if power stage is disabled. Modified settings become active the next time the power stage is enabled.</p>	- 0 - 65535	UINT16 R/W - -	CANopen 3004:8 _h Modbus 1040 Profibus 1040 CIP 104.1.8 ModbusTCP 1040 EtherCAT 3004:8 _h PROFINET 1040
PBaddress CONF → CONF - PBAd	<p>Profibus address. Setting can only be modified if power stage is disabled. Modified settings become active the next time the product is powered on.</p>	- 1 126 126	UINT16 R/W per. -	CANopen 3043:2 _h Modbus 17156 Profibus 17156 CIP 167.1.2 ModbusTCP 17156 EtherCAT 3043:2 _h PROFINET 17156
PDOmask	<p>Deactivate receive PDO. Value 0: Activate receive PDO Value 1: Deactivate receive PDO Modified settings become active immediately.</p>	- 0 0 1	UINT16 R/W - -	CANopen 3040:42 _h Modbus 16516 Profibus 16516 CIP 164.1.66 ModbusTCP 16516 EtherCAT 3040:42 _h PROFINET 16516
PntIPAddress1 CONF → CONF - IPc1	<p>IP address, byte 1. Modified settings become active the next time the product is powered on.</p>	- 0 0 255	UINT16 R/W per. -	CANopen 3048:7 _h Modbus 18446 Profibus 18446 CIP 172.1.7 ModbusTCP 18446 EtherCAT 3048:7 _h PROFINET 18446

Parameter name HMI menu HMI name	Description	Unit Minimum value Factory setting Maximum value	Data type R/W Persistent Expert	Parameter address via fieldbus
PntIPAddress2 C o n F → C o n - i P c 2	IP address, byte 2. Modified settings become active the next time the product is powered on.	- 0 0 255	UINT16 R/W per. -	CANopen 3048:8 _h Modbus 18448 Profibus 18448 CIP 172.1.8 ModbusTCP 18448 EtherCAT 3048:8 _h PROFINET 18448
PntIPAddress3 C o n F → C o n - i P c 3	IP address, byte 3. Modified settings become active the next time the product is powered on.	- 0 0 255	UINT16 R/W per. -	CANopen 3048:9 _h Modbus 18450 Profibus 18450 CIP 172.1.9 ModbusTCP 18450 EtherCAT 3048:9 _h PROFINET 18450
PntIPAddress4 C o n F → C o n - i P c 4	IP address, byte 4. Modified settings become active the next time the product is powered on.	- 0 0 255	UINT16 R/W per. -	CANopen 3048:A _h Modbus 18452 Profibus 18452 CIP 172.1.10 ModbusTCP 18452 EtherCAT 3048:A _h PROFINET 18452
PntIPgate1 C o n F → C o n - i P G 1	IP address gateway, byte 1. Modified settings become active the next time the product is powered on.	- 0 0 255	UINT16 R/W per. -	CANopen 3048:F _h Modbus 18462 Profibus 18462 CIP 172.1.15 ModbusTCP 18462 EtherCAT 3048:F _h PROFINET 18462
PntIPgate2 C o n F → C o n - i P G 2	IP address gateway, byte 2. Modified settings become active the next time the product is powered on.	- 0 0 255	UINT16 R/W per. -	CANopen 3048:10 _h Modbus 18464 Profibus 18464 CIP 172.1.16 ModbusTCP 18464 EtherCAT 3048:10 _h PROFINET 18464
PntIPgate3 C o n F → C o n - i P G 3	IP address gateway, byte 3. Modified settings become active the next time the product is powered on.	- 0 0 255	UINT16 R/W per. -	CANopen 3048:11 _h Modbus 18466 Profibus 18466 CIP 172.1.17 ModbusTCP 18466 EtherCAT 3048:11 _h PROFINET 18466
PntIPgate4 C o n F → C o n - i P G 4	IP address gateway, byte 4. Modified settings become active the next time the product is powered on.	- 0 0 255	UINT16 R/W per. -	CANopen 3048:12 _h Modbus 18468 Profibus 18468 CIP 172.1.18 ModbusTCP 18468 EtherCAT 3048:12 _h PROFINET 18468

Parameter name HMI menu HMI name	Description	Unit Minimum value Factory setting Maximum value	Data type R/W Persistent Expert	Parameter address via fieldbus
PntIPmask1 C o n F → C o n - , P n 1	IP address subnet mask, byte 1. Modified settings become active the next time the product is powered on.	- 0 255 255	UINT16 R/W per. -	CANopen 3048:B _h Modbus 18454 Profibus 18454 CIP 172.1.11 ModbusTCP 18454 EtherCAT 3048:B _h PROFINET 18454
PntIPmask2 C o n F → C o n - , P n 2	IP address subnet mask, byte 2. Modified settings become active the next time the product is powered on.	- 0 255 255	UINT16 R/W per. -	CANopen 3048:C _h Modbus 18456 Profibus 18456 CIP 172.1.12 ModbusTCP 18456 EtherCAT 3048:C _h PROFINET 18456
PntIPmask3 C o n F → C o n - , P n 3	IP address subnet mask, byte 3. Modified settings become active the next time the product is powered on.	- 0 255 255	UINT16 R/W per. -	CANopen 3048:D _h Modbus 18458 Profibus 18458 CIP 172.1.13 ModbusTCP 18458 EtherCAT 3048:D _h PROFINET 18458
PntIPmask4 C o n F → C o n - , P n 4	IP address subnet mask, byte 4. Modified settings become active the next time the product is powered on.	- 0 0 255	UINT16 R/W per. -	CANopen 3048:E _h Modbus 18460 Profibus 18460 CIP 172.1.14 ModbusTCP 18460 EtherCAT 3048:E _h PROFINET 18460
PntIpMode C o n F → C o n - , P n d	Type of obtaining IP address. 0 / Manual / П Р н u : Manual 3 / DCP / d c P : DCP	- 0 3 3	UINT16 R/W per. -	CANopen 3048:2 _h Modbus 18436 Profibus 18436 CIP 172.1.2 ModbusTCP 18436 EtherCAT 3048:2 _h PROFINET 18436
PosReg1Mode	Selection of comparison criterion for position register channel 1. 0 / Pact greater equal A : Actual position is greater than or equal to comparison value A for position register channel 1 1 / Pact less equal A : Actual position is less than or equal to comparison value A for position register channel 1 2 / Pact in [A-B] (basic) : Actual position is in the range A-B including limits (basic) 3 / Pact out [A-B] (basic) : Actual position is out of the range A-B excluding limits (basic) 4 / Pact in [A-B] (extended) : Actual position is in the range A-B including limits (extended) 5 / Pact out [A-B] (extended) : Actual position is out of the range A-B excluding limits (extended) Modified settings become active immediately.	- 0 0 5	UINT16 R/W per. -	CANopen 300B:4 _h Modbus 2824 Profibus 2824 CIP 111.1.4 ModbusTCP 2824 EtherCAT 300B:4 _h PROFINET 2824
PosReg1Source	Selection of source for position register channel 1. 0 / Pact Encoder 1 : Source for position register channel 1 is Pact of encoder 1 1 / Pact Encoder 2 : Source for position register channel 1 is Pact of encoder 2 (module) Modified settings become active immediately.	- 0 0 1	UINT16 R/W per. -	CANopen 300B:6 _h Modbus 2828 Profibus 2828 CIP 111.1.6 ModbusTCP 2828 EtherCAT 300B:6 _h PROFINET 2828

Parameter name HMI menu HMI name	Description	Unit Minimum value Factory setting Maximum value	Data type R/W Persistent Expert	Parameter address via fieldbus
PosReg1Start	Start/stop of position register channel 1. 0 / Off (keep last state): Position Register channel 1 is off and status bit keeps last state 1 / On: Position Register channel 1 is on 2 / Off (set state 0): Position Register channel 1 is off and status bit is set to 0 3 / Off (set state 1): Position Register channel 1 is off and status bit is set to 1 Modified settings become active immediately.	- 0 0 3	UINT16 R/W - -	CANopen 300B:2 _h Modbus 2820 Profibus 2820 CIP 111.1.2 ModbusTCP 2820 EtherCAT 300B:2 _h PROFINET 2820
PosReg1ValueA	Comparison value A for position register channel 1.	usr_p - 0 -	INT32 R/W per. -	CANopen 300B:8 _h Modbus 2832 Profibus 2832 CIP 111.1.8 ModbusTCP 2832 EtherCAT 300B:8 _h PROFINET 2832
PosReg1ValueB	Comparison value B for position register channel 1.	usr_p - 0 -	INT32 R/W per. -	CANopen 300B:9 _h Modbus 2834 Profibus 2834 CIP 111.1.9 ModbusTCP 2834 EtherCAT 300B:9 _h PROFINET 2834
PosReg2Mode	Selection of comparison criterion for position register channel 2. 0 / Pact greater equal A: Actual position is greater than or equal to comparison value A for position register channel 2 1 / Pact less equal A: Actual position is less than or equal to comparison value A for position register channel 2 2 / Pact in [A-B] (basic): Actual position is in the range A-B including limits (basic) 3 / Pact out [A-B] (basic): Actual position is out of the range A-B excluding limits (basic) 4 / Pact in [A-B] (extended): Actual position is in the range A-B including limits (extended) 5 / Pact out [A-B] (extended): Actual position is out of the range A-B excluding limits (extended) Modified settings become active immediately.	- 0 0 5	UINT16 R/W per. -	CANopen 300B:5 _h Modbus 2826 Profibus 2826 CIP 111.1.5 ModbusTCP 2826 EtherCAT 300B:5 _h PROFINET 2826
PosReg2Source	Selection of source for position register channel 2. 0 / Pact Encoder 1: Source for position register channel 2 is Pact of encoder 1 1 / Pact Encoder 2: Source for position register channel 2 is Pact of encoder 2 (module) Modified settings become active immediately.	- 0 0 1	UINT16 R/W per. -	CANopen 300B:7 _h Modbus 2830 Profibus 2830 CIP 111.1.7 ModbusTCP 2830 EtherCAT 300B:7 _h PROFINET 2830
PosReg2Start	Start/stop of position register channel 2. 0 / Off (keep last state): Position Register channel 2 is off and status bit keeps last state 1 / On: Position Register channel 2 is on 2 / Off (set state 0): Position Register channel 2 is off and status bit is set to 0 3 / Off (set state 1): Position Register channel 2 is off and status bit is set to 1 Modified settings become active immediately.	- 0 0 3	UINT16 R/W - -	CANopen 300B:3 _h Modbus 2822 Profibus 2822 CIP 111.1.3 ModbusTCP 2822 EtherCAT 300B:3 _h PROFINET 2822
PosReg2ValueA	Comparison value A for position register channel 2.	usr_p - 0 -	INT32 R/W per. -	CANopen 300B:A _h Modbus 2836 Profibus 2836 CIP 111.1.10 ModbusTCP 2836 EtherCAT 300B:A _h PROFINET 2836

Parameter name HMI menu HMI name	Description	Unit Minimum value Factory setting Maximum value	Data type R/W Persistent Expert	Parameter address via fieldbus
PosReg2ValueB	Comparison value B for position register channel 2.	usr_p - 0 -	INT32 R/W per. -	CANopen 300B:B _h Modbus 2838 Profibus 2838 CIP 111.1.11 ModbusTCP 2838 EtherCAT 300B:B _h PROFINET 2838
PosReg3Mode	Selection of comparison criterion for position register channel 3. 0 / Pact greater equal A: Actual position is greater than or equal to comparison value A for position register channel 3 1 / Pact less equal A: Actual position is less than or equal to comparison value A for position register channel 3 2 / Pact in [A-B] (basic): Actual position is in the range A-B including limits (basic) 3 / Pact out [A-B] (basic): Actual position is out of the range A-B excluding limits (basic) 4 / Pact in [A-B] (extended): Actual position is in the range A-B including limits (extended) 5 / Pact out [A-B] (extended): Actual position is out of the range A-B excluding limits (extended) Modified settings become active immediately. Available with firmware version ≥V01.04.	- 0 0 5	UINT16 R/W per. -	CANopen 300B:E _h Modbus 2844 Profibus 2844 CIP 111.1.14 ModbusTCP 2844 EtherCAT 300B:E _h PROFINET 2844
PosReg3Source	Selection of source for position register channel 3. 0 / Pact Encoder 1: Source for position register channel 3 is Pact of encoder 1 1 / Pact Encoder 2: Source for position register channel 3 is Pact of encoder 2 (module) Modified settings become active immediately. Available with firmware version ≥V01.04.	- 0 0 1	UINT16 R/W per. -	CANopen 300B:10 _h Modbus 2848 Profibus 2848 CIP 111.1.16 ModbusTCP 2848 EtherCAT 300B:10 _h PROFINET 2848
PosReg3Start	Start/stop of position register channel 3. 0 / Off (keep last state): Position Register channel 3 is off and status bit keeps last state 1 / On: Position Register channel 3 is on 2 / Off (set state 0): Position Register channel 3 is off and status bit is set to 0 3 / Off (set state 1): Position Register channel 3 is off and status bit is set to 1 Modified settings become active immediately. Available with firmware version ≥V01.04.	- 0 0 3	UINT16 R/W - -	CANopen 300B:C _h Modbus 2840 Profibus 2840 CIP 111.1.12 ModbusTCP 2840 EtherCAT 300B:C _h PROFINET 2840
PosReg3ValueA	Comparison value A for position register channel 3. Available with firmware version ≥V01.04.	usr_p - 0 -	INT32 R/W per. -	CANopen 300B:12 _h Modbus 2852 Profibus 2852 CIP 111.1.18 ModbusTCP 2852 EtherCAT 300B:12 _h PROFINET 2852
PosReg3ValueB	Comparison value B for position register channel 3. Available with firmware version ≥V01.04.	usr_p - 0 -	INT32 R/W per. -	CANopen 300B:13 _h Modbus 2854 Profibus 2854 CIP 111.1.19 ModbusTCP 2854 EtherCAT 300B:13 _h PROFINET 2854

Parameter name HMI menu HMI name	Description	Unit Minimum value Factory setting Maximum value	Data type R/W Persistent Expert	Parameter address via fieldbus
PosReg4Mode	Selection of comparison criterion for position register channel 4. 0 / Pact greater equal A: Actual position is greater than or equal to comparison value A for position register channel 4 1 / Pact less equal A: Actual position is less than or equal to comparison value A for position register channel 4 2 / Pact in [A-B] (basic): Actual position is in the range A-B including limits (basic) 3 / Pact out [A-B] (basic): Actual position is out of the range A-B excluding limits (basic) 4 / Pact in [A-B] (extended): Actual position is in the range A-B including limits (extended) 5 / Pact out [A-B] (extended): Actual position is out of the range A-B excluding limits (extended) Modified settings become active immediately. Available with firmware version \geq V01.04.	- 0 0 5	UINT16 R/W per. -	CANopen 300B:F _h Modbus 2846 Profibus 2846 CIP 111.1.15 ModbusTCP 2846 EtherCAT 300B:F _h PROFINET 2846
PosReg4Source	Selection of source for position register channel 4. 0 / Pact Encoder 1: Source for position register channel 4 is Pact of encoder 1 1 / Pact Encoder 2: Source for position register channel 4 is Pact of encoder 2 (module) Modified settings become active immediately. Available with firmware version \geq V01.04.	- 0 0 1	UINT16 R/W per. -	CANopen 300B:11 _h Modbus 2850 Profibus 2850 CIP 111.1.17 ModbusTCP 2850 EtherCAT 300B:11 _h PROFINET 2850
PosReg4Start	Start/stop of position register channel 4. 0 / Off (keep last state): Position Register channel 4 is off and status bit keeps last state 1 / On: Position Register channel 4 is on 2 / Off (set state 0): Position Register channel 4 is off and status bit is set to 0 3 / Off (set state 1): Position Register channel 4 is off and status bit is set to 1 Modified settings become active immediately. Available with firmware version \geq V01.04.	- 0 0 3	UINT16 R/W - -	CANopen 300B:D _h Modbus 2842 Profibus 2842 CIP 111.1.13 ModbusTCP 2842 EtherCAT 300B:D _h PROFINET 2842
PosReg4ValueA	Comparison value A for position register channel 4. Available with firmware version \geq V01.04.	usr_p - 0 -	INT32 R/W per. -	CANopen 300B:14 _h Modbus 2856 Profibus 2856 CIP 111.1.20 ModbusTCP 2856 EtherCAT 300B:14 _h PROFINET 2856
PosReg4ValueB	Comparison value B for position register channel 4. Available with firmware version \geq V01.04.	usr_p - 0 -	INT32 R/W per. -	CANopen 300B:15 _h Modbus 2858 Profibus 2858 CIP 111.1.21 ModbusTCP 2858 EtherCAT 300B:15 _h PROFINET 2858

Parameter name HMI menu HMI name	Description	Unit Minimum value Factory setting Maximum value	Data type R/W Persistent Expert	Parameter address via fieldbus
PosRegGroupStart	Start/stop of position register channels. 0 / No Channel: No channel activated 1 / Channel 1: Channel 1 activated 2 / Channel 2: Channel 2 activated 3 / Channel 1 & 2: Channels 1 and 2 activated 4 / Channel 3: Channel 3 activated 5 / Channel 1 & 3: Channels 1 and 3 activated 6 / Channel 2 & 3: Channels 2 and 3 activated 7 / Channel 1 & 2 & 3: Channels 1, 2 and 3 activated 8 / Channel 4: Channel 4 activated 9 / Channel 1 & 4: Channels 1 and 4 activated 10 / Channel 2 & 4: Channels 2 and 4 activated 11 / Channel 1 & 2 & 4: Channels 1, 2 and 4 activated 12 / Channel 3 & 4: Channels 3 and 4 activated 13 / Channel 1 & 3 & 4: Channels 1, 3 and 4 activated 14 / Channel 2 & 3 & 4: Channels 2, 3 and 4 activated 15 / Channel 1 & 2 & 3 & 4: Channels 1, 2, 3 and 4 activated Modified settings become active immediately. Available with firmware version $\geq V01.14$.	- 0 0 15	UINT16 R/W per. -	CANopen 300B:16 _h Modbus 2860 Profibus 2860 CIP 111.1.22 ModbusTCP 2860 EtherCAT 300B:16 _h PROFINET 2860
PP_ModeRangeLimit	Absolute movement beyond movement range. 0 / NoAbsMoveAllowed: Absolute movement beyond movement range is not possible 1 / AbsMoveAllowed: Absolute movement beyond movement range is possible Setting can only be modified if power stage is disabled. Modified settings become active the next time the power stage is enabled. Available with firmware version $\geq V01.04$.	- 0 0 1	UINT16 R/W per. -	CANopen 3023:7 _h Modbus 8974 Profibus 8974 CIP 135.1.7 ModbusTCP 8974 EtherCAT 3023:7 _h PROFINET 8974
PP_OpmChgType	Change to operating mode Profile Position during movements. 0 / WithStandStill: Change with standstill 1 / OnTheFly: Change without standstill Setting can only be modified if power stage is disabled. Modified settings become active the next time the power stage is enabled. Available with firmware version $\geq V01.04$.	- 0 0 1	UINT16 R/W per. -	CANopen 3023:9 _h Modbus 8978 Profibus 8978 CIP 135.1.9 ModbusTCP 8978 EtherCAT 3023:9 _h PROFINET 8978
PPoption	Options for operating mode Profile Position. Determines the reference position for relative positioning: 0: Relative with reference to the previous target position of the profile generator 1: Not supported 2: Relative with reference to the actual position of the motor Modified settings become active the next time the motor moves.	- 0 0 2	UINT16 R/W - -	CANopen 60F2:0 _h Modbus 6960 Profibus 6960 CIP 127.1.24 ModbusTCP 6960 EtherCAT 60F2:0 _h PROFINET 6960
PPp_target	Target position for operating mode Profile Position. Minimum/maximum values depend on: - Scaling factor - Software limit switches (if they are activated) Modified settings become active immediately.	usr_p - - -	INT32 R/W - -	CANopen 607A:0 _h Modbus 6940 Profibus 6940 CIP 127.1.14 ModbusTCP 6940 EtherCAT 607A:0 _h PROFINET 6940
PPv_target	Target velocity for operating mode Profile Position. The target velocity is limited to the setting in CTRL_v_max and RAMP_v_max. Modified settings become active the next time the motor moves.	usr_v 1 60 4294967295	UINT32 R/W - -	CANopen 6081:0 _h Modbus 6942 Profibus 6942 CIP 127.1.15 ModbusTCP 6942 EtherCAT 6081:0 _h PROFINET 6942

Parameter name HMI menu HMI name	Description	Unit Minimum value Factory setting Maximum value	Data type R/W Persistent Expert	Parameter address via fieldbus
PTI_pulse_filter	<p>Filter time for input signals at the PTI interface. A signal at the PTI interface is only evaluated if it is available for a time that is longer than the set filter time. For example, if an interference pulse is available for a period shorter than the set filter time, the interference pulse is not evaluated.</p> <p>The interval between 2 signals must also be greater than the set filter time.</p> <p>Available with hardware version \geqRS03. In increments of 0.01 μs. Setting can only be modified if power stage is disabled. Modified settings become active the next time the power stage is enabled.</p>	μ s 0.00 0.25 13.00	UINT16 R/W per. expert	CANopen 3005:2F _h Modbus 1374 Profibus 1374 CIP 105.1.47 ModbusTCP 1374 EtherCAT 3005:2F _h PROFINET 1374
PTI_signal_type	<p>Type of reference value signal for PTI interface. 0 / A/B Signals / Rb: Signals ENC_A and ENC_B (quadruple evaluation) 1 / P/D Signals / Pd: Signals PULSE and DIR 2 / CW/CCW Signals / cWcC: Signals clockwise and counterclockwise Setting can only be modified if power stage is disabled. Modified settings become active the next time the product is powered on.</p>	- 0 0 2	UINT16 R/W per. -	CANopen 3005:2 _h Modbus 1284 Profibus 1284 CIP 105.1.2 ModbusTCP 1284 EtherCAT 3005:2 _h PROFINET 1284
PTO_mode C o n F → R C G - P E o n	<p>Type of usage of PTO interface. 0 / Off / o F F: PTO interface disabled 1 / Esim pAct Enc 1 / P E n 1: Encoder simulation based on actual position of encoder 1 2 / Esim pRef / P r E F: Encoder simulation based on reference position (_p_ref) 3 / PTI Signal / P E r: Directly the signal from PTI interface 4 / Esim pAct Enc 2 / P E n 2: Encoder simulation based on actual position of encoder 2 (module) 5 / Esim iqRef / i r E F: Encoder simulation based on reference current 6 / Esim pActRaw Enc2 / E n c 2: Encoder simulation based on raw position value of encoder 2 (module) Setting can only be modified if power stage is disabled. Modified settings become active the next time the power stage is enabled.</p>	- 0 0 6	UINT16 R/W per. -	CANopen 3005:1F _h Modbus 1342 Profibus 1342 CIP 105.1.31 ModbusTCP 1342 EtherCAT 3005:1F _h PROFINET 1342
PTtq_reference	<p>Reference value source for operating mode Profile Torque. 0 / None: None 1 / Parameter 'PTtq_target': Reference value via parameter PTtq_target 2 / Analog Input: Reference value via analog input 3 / PTI Interface: Reference value via PTI interface Modified settings become active immediately. Available with firmware version \geqV01.10.</p>	- 0 1 3	UINT16 R/W - -	CANopen 301B:38 _h Modbus 7024 Profibus 7024 CIP 127.1.56 ModbusTCP 7024 EtherCAT 301B:38 _h PROFINET 7024
PTtq_target	<p>Target torque. 100.0 % correspond to the continuous stall torque _M_M_0. In increments of 0.1 %. Modified settings become active immediately.</p>	% -3000.0 0.0 3000.0	INT16 R/W - -	CANopen 6071:0 _h Modbus 6944 Profibus 6944 CIP 127.1.16 ModbusTCP 6944 EtherCAT 6071:0 _h PROFINET 6944

Parameter name HMI menu HMI name	Description	Unit Minimum value Factory setting Maximum value	Data type R/W Persistent Expert	Parameter address via fieldbus
PVv_reference	Reference value source for operating mode Profile Velocity. 0 / None: None 1 / Parameter 'PVv_target': Reference value via parameter PVv_target 2 / Analog Input: Reference value via analog input Modified settings become active immediately. Available with firmware version \geq V01.10.	- 0 1 2	UINT16 R/W - -	CANopen 301B:39 _h Modbus 7026 Profibus 7026 CIP 127.1.57 ModbusTCP 7026 EtherCAT 301B:39 _h PROFINET 7026
PVv_target	Target velocity. The target velocity is limited to the setting in CTRL_v_max and RAMP_v_max. Modified settings become active immediately.	usr_v - 0 -	INT32 R/W - -	CANopen 60FF:0 _h Modbus 6938 Profibus 6938 CIP 127.1.13 ModbusTCP 6938 EtherCAT 60FF:0 _h PROFINET 6938
PWM_fChop	PWM frequency of power stage. 4 / 4 kHz: 4 kHz 8 / 8 kHz: 8 kHz 16 / 16 kHz: 16 kHz Factory setting: Peak output current \leq 72 Arms: 8 kHz Peak output current $>$ 72 Arms: 4 kHz Changing this setting is only possible in the case of devices with a peak output current $>$ 72 Arms. Setting can only be modified if power stage is disabled. Modified settings become active the next time the power stage is enabled.	- 4 - 16	UINT16 R/W per. expert	CANopen 3005:E _h Modbus 1308 Profibus 1308 CIP 105.1.14 ModbusTCP 1308 EtherCAT 3005:E _h PROFINET 1308
RAMP_tq_enable	Activation of the motion profile for torque. 0 / Profile Off: Profile off 1 / Profile On: Profile on In the operating mode Profile Torque, the motion profile for torque can be activated or deactivated. In the other operating modes, the motion profile for torque is inactive. Setting can only be modified if power stage is disabled. Modified settings become active immediately.	- 0 1 1	UINT16 R/W per. -	CANopen 3006:2C _h Modbus 1624 Profibus 1624 CIP 106.1.44 ModbusTCP 1624 EtherCAT 3006:2C _h PROFINET 1624
RAMP_tq_slope	Slope setting of the motion profile for torque. 100.00 % of the torque setting correspond to the continuous stall torque _M_M_0. Example: A ramp setting of 10000.00 %/s results in a torque change of 100.0% of _M_M_0 in 0.01s. In increments of 0.1 %/s. Modified settings become active immediately.	%/s 0.1 10000.0 3000000.0	UINT32 R/W per. -	CANopen 6087:0 _h Modbus 1620 Profibus 1620 CIP 106.1.42 ModbusTCP 1620 EtherCAT 6087:0 _h PROFINET 1620
RAMP_v_acc	Acceleration of the motion profile for velocity. Writing the value 0 has no effect on the parameter. Modified settings become active the next time the motor moves.	usr_a 1 600 2147483647	UINT32 R/W per. -	CANopen 6083:0 _h Modbus 1556 Profibus 1556 CIP 106.1.10 ModbusTCP 1556 EtherCAT 6083:0 _h PROFINET 1556

Parameter name HMI menu HMI name	Description	Unit Minimum value Factory setting Maximum value	Data type R/W Persistent Expert	Parameter address via fieldbus
RAMP_v_dec	Deceleration of the motion profile for velocity. The minimum value depends on the operating mode: Operating modes with minimum value 1: Electronic Gear (velocity synchronization) Profile Velocity Motion Sequence (Move Velocity) Operating modes with minimum value 120: Jog Profile Position Homing Motion Sequence (Move Absolute, Move Additive, Move Relative and Reference Movement) Writing the value 0 has no effect on the parameter. Modified settings become active the next time the motor moves.	usr_a 1 600 2147483647	UINT32 R/W per. -	CANopen 6084:0 _h Modbus 1558 Profibus 1558 CIP 106.1.11 ModbusTCP 1558 EtherCAT 6084:0 _h PROFINET 1558
RAMP_v_enable	Activation of the motion profile for velocity. 0 / Profile Off: Profile off 1 / Profile On: Profile on Setting can only be modified if power stage is disabled. Modified settings become active immediately.	- 0 1 1	UINT16 R/W per. -	CANopen 3006:2B _h Modbus 1622 Profibus 1622 CIP 106.1.43 ModbusTCP 1622 EtherCAT 3006:2B _h PROFINET 1622
RAMP_v_jerk CONF → drC - JEr	Jerk limitation of the motion profile for velocity. 0 / Off / OFF: Off 1 / 1 / 1: 1 ms 2 / 2 / 2: 2 ms 4 / 4 / 4: 4 ms 8 / 8 / 8: 8 ms 16 / 16 / 16: 16 ms 32 / 32 / 32: 32 ms 64 / 64 / 64: 64 ms 128 / 128 / 128: 128 ms Adjustments can only be made if the operating mode is inactive (x_end=1). Modified settings become active the next time the motor moves.	ms 0 0 128	UINT16 R/W per. -	CANopen 3006:D _h Modbus 1562 Profibus 1562 CIP 106.1.13 ModbusTCP 1562 EtherCAT 3006:D _h PROFINET 1562
RAMP_v_max CONF → RCG - rPP	Maximum velocity of the motion profile for velocity. If a greater reference velocity is set in one of these operating modes, it is automatically limited to RAMP_v_max. This way, commissioning at limited velocity is easier to perform. Setting can only be modified if power stage is disabled. Modified settings become active the next time the motor moves.	usr_v 1 13200 2147483647	UINT32 R/W per. -	CANopen 607F:0 _h Modbus 1554 Profibus 1554 CIP 106.1.9 ModbusTCP 1554 EtherCAT 607F:0 _h PROFINET 1554
RAMP_v_sym	Acceleration and deceleration of the motion profile for velocity. The values are internally multiplied by 10 (example: 1 = 10 RPM/s). Write access changes the values of RAMP_v_acc and RAMP_v_dec. The limit values are verified on the basis of the values indicated for these parameters. Read access returns the greater value from RAMP_v_acc/RAMP_v_dec. If the value cannot be represented as a 16 bit value, the value is set to 65535 (maximum UINT16 value) Modified settings become active the next time the motor moves.	- - - -	UINT16 R/W - -	CANopen 3006:1 _h Modbus 1538 Profibus 1538 CIP 106.1.1 ModbusTCP 1538 EtherCAT 3006:1 _h PROFINET 1538

Parameter name HMI menu HMI name	Description	Unit Minimum value Factory setting Maximum value	Data type R/W Persistent Expert	Parameter address via fieldbus
RAMPaccdec	Acceleration and deceleration for the Drive Profile Lexium. High word: Acceleration Low word: Deceleration The values are internally multiplied by 10 (example: 1 = 10 RPM/s). Write access changes the values of RAMP_v_acc and RAMP_v_dec. The limit values are verified on the basis of the values indicated for these parameters. If the value cannot be represented as a 16 bit value, the value is set to 65535 (maximum UINT16 value). Modified settings become active the next time the motor moves.	- - - -	UINT32 R/W - -	CANopen 3006:2 _h Modbus 1540 Profibus 1540 CIP 106.1.2 ModbusTCP 1540 EtherCAT 3006:2 _h PROFINET 1540
RAMPquickstop	Deceleration ramp for Quick Stop. Deceleration ramp for a software stop or an error with error class 1 or 2. Modified settings become active the next time the motor moves.	usr_a 1 6000 2147483647	UINT32 R/W per. -	CANopen 3006:12 _h Modbus 1572 Profibus 1572 CIP 106.1.18 ModbusTCP 1572 EtherCAT 3006:12 _h PROFINET 1572
RESext_P CONF → ACG - Pabr	Nominal power of external braking resistor. The maximum value depends on the power stage. Setting can only be modified if power stage is disabled. Modified settings become active the next time the power stage is enabled.	W 1 10 -	UINT16 R/W per. -	CANopen 3005:12 _h Modbus 1316 Profibus 1316 CIP 105.1.18 ModbusTCP 1316 EtherCAT 3005:12 _h PROFINET 1316
RESext_R CONF → ACG - rbr	Resistance value of external braking resistor. The minimum value depends on the power stage. In increments of 0.01 Ω. Setting can only be modified if power stage is disabled. Modified settings become active the next time the power stage is enabled.	Ω - 100.00 327.67	UINT16 R/W per. -	CANopen 3005:13 _h Modbus 1318 Profibus 1318 CIP 105.1.19 ModbusTCP 1318 EtherCAT 3005:13 _h PROFINET 1318
RESext_ton CONF → ACG - tbr	Maximum permissible switch-on time of external braking resistor. Setting can only be modified if power stage is disabled. Modified settings become active the next time the power stage is enabled.	ms 1 1 30000	UINT16 R/W per. -	CANopen 3005:11 _h Modbus 1314 Profibus 1314 CIP 105.1.17 ModbusTCP 1314 EtherCAT 3005:11 _h PROFINET 1314
RESint_ext CONF → ACG - Eibr	Selection of type of braking resistor. 0 / Internal Braking Resistor / int : Internal braking resistor 1 / External Braking Resistor / ext : External braking resistor 2 / Reserved / 5 V d : Reserved Setting can only be modified if power stage is disabled. Modified settings become active the next time the power stage is enabled.	- 0 0 2	UINT16 R/W per. -	CANopen 3005:9 _h Modbus 1298 Profibus 1298 CIP 105.1.9 ModbusTCP 1298 EtherCAT 3005:9 _h PROFINET 1298

Parameter name HMI menu HMI name	Description	Unit Minimum value Factory setting Maximum value	Data type R/W Persistent Expert	Parameter address via fieldbus
ResolENC2	Raw resolution of encoder 2. Digital encoders: Number of encoder increments per encoder revolution. Analog encoders: Number of analog periods per encoder revolution. Setting can only be modified if power stage is disabled. Modified settings become active the next time the power stage is enabled. Available with firmware version \geq V01.26.	Enclnc 1 10000 2147483647	UINT32 R/W per. -	CANopen 3050:F _h Modbus 20510 Profibus 20510 CIP 180.1.15 ModbusTCP 20510 EtherCAT 3050:F _h PROFINET 20510
ResolENC2Denom	Resolution of encoder 2, denominator. See numerator (ResolEnc2Num) for a description. Setting can only be modified if power stage is disabled. Modified settings become active the next time the power stage is enabled.	revolution 1 1 16383	INT32 R/W per. -	CANopen 3050:5 _h Modbus 20490 Profibus 20490 CIP 180.1.5 ModbusTCP 20490 EtherCAT 3050:5 _h PROFINET 20490
ResolENC2Num	Resolution of encoder 2, numerator. Digital encoders: Specification of the encoder increments the external encoder returns for one or several revolutions of the motor shaft. The value is indicated with a numerator and a denominator so that it is possible, for example, to take into account the gear ratio of a mechanical gearing. The value must not be set to 0. The resolution factor is not applied until this numerator value is specified. Example: One motor revolution causes 1/3 encoder revolution at an encoder resolution of 16384 Enclnc/revolution. ResolENC2Num = 16384 Enclnc ResolENC2Denom = 3 revolutions Analog encoders: Num/Denom must be set equivalent to the number of analog periods per 1 motor revolution. Example: One motor revolution causes 1/3 encoder revolution at an encoder resolution of 16 analog periods per revolution. ResolENC2Num = 16 periods ResolENC2Denom = 3 revolutions Setting can only be modified if power stage is disabled. Modified settings become active the next time the power stage is enabled.	Enclnc 1 10000 2147483647	INT32 R/W per. -	CANopen 3050:6 _h Modbus 20492 Profibus 20492 CIP 180.1.6 ModbusTCP 20492 EtherCAT 3050:6 _h PROFINET 20492
ResWriComNotOp En	Response to write command (operating state is not Operation Enabled). 0 / Emergency Message: An Emergency message is sent 1 / Error class 0: An error with error class 0 is sent This parameter specifies the response of the drive to a write command that cannot be executed because the operating state is not Operation Enabled. Modified settings become active immediately. Available with firmware version \geq V01.26.	- 0 0 1	UINT16 R/W per. -	CANopen 3006:49 _h Modbus 1682 Profibus 1682 CIP 106.1.73 ModbusTCP 1682 EtherCAT 3006:49 _h PROFINET 1682
RMAC_Activate	Activation of relative movement after capture. 0 / Off: Off 1 / On: On Modified settings become active immediately. Available with firmware version \geq V01.10.	- 0 0 1	UINT16 R/W - -	CANopen 3023:C _h Modbus 8984 Profibus 8984 CIP 135.1.12 ModbusTCP 8984 EtherCAT 3023:C _h PROFINET 8984

Parameter name HMI menu HMI name	Description	Unit Minimum value Factory setting Maximum value	Data type R/W Persistent Expert	Parameter address via fieldbus
RMAC_Edge	Edge of capture signal for relative movement after capture. 0 / Falling edge: Falling edge 1 / Rising edge: Rising edge Available with firmware version $\geq V01.10$.	- 0 0 1	UINT16 R/W per. -	CANopen 3023:10 _h Modbus 8992 Profibus 8992 CIP 135.1.16 ModbusTCP 8992 EtherCAT 3023:10 _h PROFINET 8992
RMAC_Position	Target position of relative movement after capture. Minimum/maximum values depend on: - Scaling factor Modified settings become active the next time the motor moves. Available with firmware version $\geq V01.10$.	usr_p - 0 -	INT32 R/W per. -	CANopen 3023:D _h Modbus 8986 Profibus 8986 CIP 135.1.13 ModbusTCP 8986 EtherCAT 3023:D _h PROFINET 8986
RMAC_Response	Response if target position is overtraveled. 0 / Error Class 1: Error class 1 1 / No Movement To Target Position: No movement to target position 2 / Movement To Target Position: Movement to target position Modified settings become active immediately. Available with firmware version $\geq V01.10$.	- 0 0 2	UINT16 R/W per. -	CANopen 3023:F _h Modbus 8990 Profibus 8990 CIP 135.1.15 ModbusTCP 8990 EtherCAT 3023:F _h PROFINET 8990
RMAC_Velocity	Velocity of relative movement after capture. Value 0: Use actual motor velocity Value >0: Value is the target velocity The adjustable value is internally limited to the setting in RAMP_v_max. Modified settings become active the next time the motor moves. Available with firmware version $\geq V01.10$.	usr_v 0 0 2147483647	UINT32 R/W per. -	CANopen 3023:E _h Modbus 8988 Profibus 8988 CIP 135.1.14 ModbusTCP 8988 EtherCAT 3023:E _h PROFINET 8988
ScalePOSdenom	Position scaling: Denominator. Refer to numerator (ScalePOSnum) for a description. A new scaling is activated when the numerator value is supplied. Setting can only be modified if power stage is disabled.	usr_p 1 16384 2147483647	INT32 R/W per. -	CANopen 3006:7 _h Modbus 1550 Profibus 1550 CIP 106.1.7 ModbusTCP 1550 EtherCAT 3006:7 _h PROFINET 1550
ScalePOSnum	Position scaling: Numerator. Specification of the scaling factor: Motor revolutions ----- User-defined units [usr_p] A new scaling is activated when the numerator value is supplied. Setting can only be modified if power stage is disabled. Modified settings become active immediately.	revolution 1 1 2147483647	INT32 R/W per. -	CANopen 3006:8 _h Modbus 1552 Profibus 1552 CIP 106.1.8 ModbusTCP 1552 EtherCAT 3006:8 _h PROFINET 1552
ScaleRAMPdenom	Ramp scaling: Denominator. See numerator (ScaleRAMPnum) for a description. A new scaling is activated when the numerator value is supplied. Setting can only be modified if power stage is disabled.	usr_a 1 1 2147483647	INT32 R/W per. -	CANopen 3006:30 _h Modbus 1632 Profibus 1632 CIP 106.1.48 ModbusTCP 1632 EtherCAT 3006:30 _h PROFINET 1632

Parameter name HMI menu HMI name	Description	Unit Minimum value Factory setting Maximum value	Data type R/W Persistent Expert	Parameter address via fieldbus
ScaleRAMPnum	Ramp scaling: Numerator. Setting can only be modified if power stage is disabled. Modified settings become active immediately.	RPM/s 1 1 2147483647	INT32 R/W per. -	CANopen 3006:31 _h Modbus 1634 Profibus 1634 CIP 106.1.49 ModbusTCP 1634 EtherCAT 3006:31 _h PROFINET 1634
ScaleVELdenom	Velocity scaling: Denominator. See numerator (ScaleVELnum) for a description. A new scaling is activated when the numerator value is supplied. Setting can only be modified if power stage is disabled.	usr_v 1 1 2147483647	INT32 R/W per. -	CANopen 3006:21 _h Modbus 1602 Profibus 1602 CIP 106.1.33 ModbusTCP 1602 EtherCAT 3006:21 _h PROFINET 1602
ScaleVELnum	Velocity scaling: Numerator. Specification of the scaling factor: Speed of rotation of motor [RPM] ----- User-defined units [usr_v] A new scaling is activated when the numerator value is supplied. Setting can only be modified if power stage is disabled. Modified settings become active immediately.	RPM 1 1 2147483647	INT32 R/W per. -	CANopen 3006:22 _h Modbus 1604 Profibus 1604 CIP 106.1.34 ModbusTCP 1604 EtherCAT 3006:22 _h PROFINET 1604
ShiftEncWorking	Shifting of the encoder working range. 0 / Off: Shifting off 1 / On: Shifting on After activating the shifting function, the position range of a multiturn encoder is shifted by one half of the range. Example for the position range of a multiturn encoder with 4096 revolutions: Value 0: Position values are between 0 ... 4096 revolutions. Value 1: Position values are between -2048 ... 2048 revolutions. Modified settings become active the next time the product is powered on.	- 0 0 1	UINT16 R/W per. -	CANopen 3005:21 _h Modbus 1346 Profibus 1346 CIP 105.1.33 ModbusTCP 1346 EtherCAT 3005:21 _h PROFINET 1346

Parameter name HMI menu HMI name	Description	Unit Minimum value Factory setting Maximum value	Data type R/W Persistent Expert	Parameter address via fieldbus
SimAbsolutePos C o n F → R C G - 9 R b S	<p>Simulation of absolute position at power cycling.</p> <p>0 / Simulation Off / o F F: Do not use the last mechanical position after power cycling</p> <p>1 / Simulation On / o n: Use last mechanical position after power cycling</p> <p>This parameter specifies the way position values are handled over a power cycle and allows for the simulation of an absolute position encoder using singleturn encoders.</p> <p>If this function is activated, the drive saves the pertinent position data prior to a power removal so that the drive can restore the mechanical position the next time it is powered on.</p> <p>In the case of singleturn encoders, the position can be restored if the motor shaft has not been moved by more than 0.25 revolutions while the drive was powered off.</p> <p>In the case of multiturn encoders, the permissible shaft movement while the drive is off can be much greater, depending on the type of multiturn encoder.</p> <p>For this function to work, the drive may only be powered off while the motor is at a standstill and the motor shaft must not be moved outside of the permissible range (for example, use a holding brake).</p> <p>Modified settings become active immediately.</p> <p>Available with firmware version ≥V01.01.</p>	- 0 0 1	UINT16 R/W per. -	CANopen 3005:23 _h Modbus 1350 Profibus 1350 CIP 105.1.35 ModbusTCP 1350 EtherCAT 3005:23 _h PROFINET 1350
SyncMechStart	<p>Activation of synchronization mechanism.</p> <p>Value 0: Deactivate synchronization mechanism</p> <p>Value 1: Activate synchronization mechanism (CANmotion).</p> <p>Value 2: Activate synchronization mechanism, standard CANopen mechanism.</p> <p>The cycle time of the synchronization signal is derived from the parameters intTimPerVal and intTimInd.</p> <p>Modified settings become active immediately.</p>	- 0 0 2	UINT16 R/W - -	CANopen 3022:5 _h Modbus 8714 Profibus 8714 CIP 134.1.5 ModbusTCP 8714 EtherCAT 3022:5 _h PROFINET 8714
SyncMechStatus	<p>Status of synchronization mechanism.</p> <p>Status of synchronization mechanism:</p> <p>Value 1: Synchronization mechanism of drive is inactive.</p> <p>Value 32: Drive is synchronizing with external sync signal.</p> <p>Value 64: Drive is synchronized with external sync signal.</p> <p>Available with firmware version ≥V01.08.</p>	- - - -	UINT16 R/- - -	CANopen 3022:6 _h Modbus 8716 Profibus 8716 CIP 134.1.6 ModbusTCP 8716 EtherCAT 3022:6 _h PROFINET 8716
SyncMechTol	<p>Synchronization tolerance.</p> <p>The value is applied when the synchronization mechanism is activated via the parameter SyncMechStart.</p> <p>Modified settings become active immediately.</p> <p>Available with firmware version ≥V01.08.</p>	- 1 1 20	UINT16 R/W - -	CANopen 3022:4 _h Modbus 8712 Profibus 8712 CIP 134.1.4 ModbusTCP 8712 EtherCAT 3022:4 _h PROFINET 8712
TouchProbeFct	<p>Touch Probe function (DS402).</p> <p>Modified settings become active immediately.</p> <p>Available with firmware version ≥V01.16.</p>	- - -	UINT16 R/W - -	CANopen 60B8:0 _h Modbus 7028 Profibus 7028 CIP 127.1.58 ModbusTCP 7028 EtherCAT 60B8:0 _h PROFINET 7028

Parameter name HMI menu HMI name	Description	Unit Minimum value Factory setting Maximum value	Data type R/W Persistent Expert	Parameter address via fieldbus
UsrAppDataMem1	User-specific data 1. This parameter can be used to store user-specific data. Modified settings become active immediately. Available with firmware version \geq V01.20.	- - - -	UINT32 R/W per. -	CANopen 3001:43 _h Modbus 390 Profibus 390 CIP 101.1.67 ModbusTCP 390 EtherCAT 3001:43 _h PROFINET 390
UsrAppDataMem2	User-specific data 2. This parameter can be used to store user-specific data. Modified settings become active immediately. Available with firmware version \geq V01.20.	- - 0 -	UINT32 R/W per. -	CANopen 3001:44 _h Modbus 392 Profibus 392 CIP 101.1.68 ModbusTCP 392 EtherCAT 3001:44 _h PROFINET 392
WakesAndShakeGain	Gain for wake and shake. If wake and shake did not work properly, this parameter can be used to adapt the dynamics of the wake and shake procedure. Value >100 %: Increased dynamics which leads to less motor movement. Value <100 %: Reduced dynamics which leads to more motor movement. In increments of 0.1 %. Setting can only be modified if power stage is disabled. Modified settings become active immediately. Available with firmware version \geq V01.10.	% 1.0 100.0 400.0	UINT16 R/W per. -	CANopen 3050:E _h Modbus 20508 Profibus 20508 CIP 180.1.14 ModbusTCP 20508 EtherCAT 3050:E _h PROFINET 20508

Chapter 12

Accessories and Spare Parts

What Is in This Chapter?

This chapter contains the following topics:

Topic	Page
Commissioning Tools	614
Memory Cards	615
Additional Modules	616
Safety Module eSM	617
Application Nameplate	618
Mounting Accessories	619
CANopen Cable With Connectors	620
CANopen Connectors, Distributors, Terminating Resistors	621
CANopen Cables With Open Cable Ends	622
Adapter Cable for Encoder Signals LXM05/LXM15 to LXM32	623
Cables for PTO and PTI	624
Motor Cables	625
Encoder Cables	628
Connectors	629
External Braking Resistors	630
DC Bus Accessories	631
Mains Reactors	632
External Mains Filters	633
Spare Parts Connectors, Fans, Cover Plates	634

Commissioning Tools

Description	Reference
PC connection kit, serial connection between drive and PC, USB-A to RJ45	TCSMCNAM3M002P
Multi-Loader, device for copying the parameter settings to a PC or to another drive	VW3A8121
Modbus cable, 1 m (3.28 ft), 2 x RJ45	VW3A8306R10
Modbus-Bluetooth adapter	VW3A8114
External graphic display terminal	VW3A1101

Memory Cards

Description	Reference
Memory card for copying parameter settings	VW3M8705
25 memory cards for copying parameter settings	VW3M8704

Additional Modules

Description	Reference
I/O module (module identification IOM1), additional analog and digital inputs and outputs with spring terminals	VW3M3302
Fieldbus module CANopen (module identification CAN) with 2 x RJ45 connection	VW3A3608
Fieldbus module CANopen (module identification CAN) with DE9 D-SUB connection (male)	VW3A3618
Fieldbus module CANopen (module identification CAN) with Open Style Connection (female)	VW3A3628
Fieldbus module Profibus DP (module identification PDP) with DE9 D-SUB connection (female)	VW3A3607
Fieldbus module PROFINET (module identification PNT) with 2 x RJ45 connection	VW3M3308
Fieldbus module DeviceNet (module identification DNT) with Open Style Connection (female)	VW3M3301
Fieldbus module EtherNet/IP (module identification ETH) with 2 x RJ45 connection. For EtherNet/IP and Modbus-TCP	VW3A3616
Fieldbus module EtherCAT (module identification ECT) with 2 x RJ45 connection	VW3A3601
Encoder module RSR (resolver interface) with DE9 D-SUB connection (female)	VW3M3401
Encoder module DIG (digital interface) with HD15 D-SUB connection (female)	VW3M3402
Encoder module ANA (analog interface) with HD15 D-SUB connection (female)	VW3M3403

Safety Module eSM

Description	Reference
Safety module eSM with safety functions SOS, SLS, SS1, SS2 as per IEC/EN 61800-5-2	VW3M3501
Cable for safety module eSM, 3 m (9.84 ft); 24-pin connector, other cable end open	VW3M8801R30
Cable for safety module eSM, 1.5 m (4.92 ft); 2 x 24-pin connector	VW3M8802R15
Cable for safety module eSM, 3 m (9.84 ft); 2 x 24-pin connector	VW3M8802R30
Connection terminal adapter for eSM safety module, for easy wiring of several safety modules in the control cabinet	VW3M8810
Connector with wire jumper (for INTERLOCK signal) for eSM terminal adapter; 4 pieces	VW3M8820

Application Nameplate

Description	Reference
Application nameplate to be clipped onto the top of the drive, size 38.5 x 13 mm (1.51 x 0.51 in), 50 pieces	VW3M2501

Mounting Accessories

Description	Reference
EMC plate for LXM32MD85/C10	VW3M2106
Metal kit for flush mounting for LXM32MD85/C10	VW3M2606

CANopen Cable With Connectors

Description	Reference
CANopen cable, 0.3 m (0.98 ft), 2 x RJ45	VW3CANCARR03
CANopen cable, 1 m (3.28 ft), 2 x RJ45	VW3CANCARR1
CANopen cable, 2 m (6.56 ft), 2 x RJ45, shielded twisted pair cable	490NTW00002
CANopen cable, 5 m (16.4 ft), 2 x RJ45, shielded twisted pair cable	490NTW00005
CANopen cable, 12 m (39.4 ft), 2 x RJ45, shielded twisted pair cable	490NTW00012
CANopen cable, 2 m (6.56 ft), 2 x RJ45, shielded twisted pair cable with UL and CSA 22.1 certification	490NTW00002U
CANopen cable, 5 m (16.4 ft), 2 x RJ45, shielded twisted pair cable with UL and CSA 22.1 certification	490NTW00005U
CANopen cable, 12 m (39.4 ft), 2 x RJ45, shielded twisted pair cable with UL and CSA 22.1 certification	490NTW00012U
CANopen cable, 1 m (3.28 ft), D9-SUB (female) to RJ45	TCSCCN4F3M1T
CANopen cable, 1 m (3.28 ft), D9-SUB (female) with integrated terminating resistor to RJ45	VW3M3805R010
CANopen cable, 3 m (9.84 ft), D9-SUB (female) with integrated terminating resistor to RJ45	VW3M3805R030
CANopen cable, 0.3 m (0.98 ft), 2 x D9-SUB (female), LSZH standard cable (low-smoke, zero halogen, flame-retardant, tested as per IEC 60332-1)	TSXCANCADD03
CANopen cable, 1 m (3.28 ft), 2 x D9-SUB (female), LSZH standard cable (low-smoke, zero halogen, flame-retardant, tested as per IEC 60332-1)	TSXCANCADD1
CANopen cable, 3 m (9.84 ft), 2 x D9-SUB (female), LSZH standard cable (low-smoke, zero halogen, flame-retardant, tested as per IEC 60332-1)	TSXCANCADD3
CANopen cable, 5 m (16.4 ft), 2 x D9-SUB (female), LSZH standard cable (low-smoke, zero halogen, flame-retardant, tested as per IEC 60332-1)	TSXCANCADD5
CANopen cable, 0.3 m (0.98 ft), 2 x D9-SUB (female), flame-retardant, tested as per IEC 60332-2, UL certification	TSXCANCBDD03
CANopen cable, 1 m (3.28 ft), 2 x D9-SUB (female), flame-retardant, tested as per IEC 60332-2, UL certification	TSXCANCBDD1
CANopen cable, 3 m (9.84 ft), 2 x D9-SUB (female), flame-retardant, tested as per IEC 60332-2, UL certification	TSXCANCBDD3
CANopen cable, 5 m (16.4 ft), 2 x D9-SUB (female), flame-retardant, tested as per IEC 60332-2, UL certification	TSXCANCBDD5

CANopen Connectors, Distributors, Terminating Resistors

Description	Reference
CANopen terminating resistor, 120 Ohm, integrated in RJ45 connector	TCSCAR013M120
CANopen connector with PC interface, D9-SUB (female), with switchable terminating resistor and additional D9-SUB (male) to connect a PC to the bus, PC interface straight, bus cable angled 90°	TSXCANKCDF90TP
CANopen connector, D9-SUB (female), with switchable terminating resistor, angled 90°	TSXCANKCDF90T
CANopen connector, D9-SUB (female), with switchable terminating resistor, straight	TSXCANKCDF180T
Four-port tap, for connection of 4 drop lines to trunk line, 4 x D9-SUB (male) with switchable terminating resistor	TSXCANTDM4
Two-port tap for connection of 2 drop lines to trunk line, with additional commissioning interface, 3 x RJ45 (female), with switchable terminating resistor	VW3CANTAP2
CANopen adapter cable D9-SUB to RJ45, 3 m (9.84 ft)	TCSCCN4F3M3T

CANopen Cables With Open Cable Ends

Cables with open cable ends are suitable for connection of D-SUB connectors. Observe the cable cross section and the connection cross section of the required connector.

Description	Reference
CANopen cable, 50 m (164 ft), [(2 x AWG 22) + (2 x AWG 24)], LSZH standard cable (low-smoke, zero halogen, flame-retardant, tested as per IEC 60332-1), both cable ends open	TSXCANCA50
CANopen cable, 100 m (328 ft), [(2 x AWG 22) + (2 x AWG 24)], LSZH standard cable (low-smoke, zero halogen, flame-retardant, tested as per IEC 60332-1), both cable ends open	TSXCANCA100
CANopen cable, 300 m (984 ft), [(2 x AWG 22) + (2 x AWG 24)], LSZH standard cable (low-smoke, zero halogen, flame-retardant, tested as per IEC 60332-1), both cable ends open	TSXCANCA300
CANopen cable, 50 m (164 ft), [(2 x AWG 22) + (2 x AWG 24)], flame-retardant, tested as per IEC 60332-2, UL certification, both cable ends open	TSXCANCB50
CANopen cable, 100 m (328 ft), [(2 x AWG 22) + (2 x AWG 24)], flame-retardant, tested as per IEC 60332-2, UL certification, both cable ends open	TSXCANCB100
CANopen cable, 300 m (984 ft), [(2 x AWG 22) + (2 x AWG 24)], flame-retardant, tested as per IEC 60332-2, UL certification, both cable ends open	TSXCANCB300
CANopen cable, 50 m (164 ft), [(2 x AWG 22) + (2 x AWG 24)], flexible LSZH HD standard cable (low-smoke, zero halogen, flame-retardant, tested as per IEC 60332-1), for heavy-duty or flexible installation, oil-resistant, both cable ends open	TSXCANCD50
CANopen cable, 100 m (328 ft), [(2 x AWG 22) + (2 x AWG 24)], flexible LSZH HD standard cable (low-smoke, zero halogen, flame-retardant, tested as per IEC 60332-1), for heavy-duty or flexible installation, oil-resistant, both cable ends open	TSXCANCD100
CANopen cable, 300 m (984 ft), [(2 x AWG 22) + (2 x AWG 24)], flexible LSZH HD standard cable (low-smoke, zero halogen, flame-retardant, tested as per IEC 60332-1), for heavy-duty or flexible installation, oil-resistant, both cable ends open	TSXCANCD300

Adapter Cable for Encoder Signals LXM05/LXM15 to LXM32

Description	Reference
Encoder adapter cable Molex 12-pin (LXM05) to RJ45 10-pin (LXM32), 1 m (3.28 ft)	VW3M8111R10
Encoder adapter cable D15-SUB (LXM15) to RJ45 10-pin (LXM32), 1 m (3.28 ft)	VW3M8112R10

Cables for PTO and PTI

Description	Reference
Signal cable 2 x RJ45, PTO to PTI, 0.3 m (0.98 ft)	VW3M8502R03
Signal cable 2 x RJ45, PTO to PTI, 1.5 m (4.92 ft)	VW3M8502R15
Signal cable 1 x RJ45, other cable end open, for connecting PTI in the control cabinet, 3 m (9.84 ft)	VW3M8223R30

Motor Cables

Motor cables 1.0 mm²

Description	Reference
Motor cable 3 m (9.84 ft), (4 x 1.0 mm ² + 2 x (2 x 0.75 mm ²)) shielded; motor end 8-pin circular connector Y-TEC, other cable end open	VW3M5100R30
Motor cable 5 m (16.4 ft), (4 x 1.0 mm ² + 2 x (2 x 0.75 mm ²)) shielded; motor end 8-pin circular connector Y-TEC, other cable end open	VW3M5100R50
Motor cable 10 m (32.8 ft), (4 x 1.0 mm ² + 2 x (2 x 0.75 mm ²)) shielded; motor end 8-pin circular connector Y-TEC, other cable end open	VW3M5100R100
Motor cable 15 m (49.2 ft), (4 x 1.0 mm ² + 2 x (2 x 0.75 mm ²)) shielded; motor end 8-pin circular connector Y-TEC, other cable end open	VW3M5100R150
Motor cable 25 m (82 ft), (4 x 1.0 mm ² + 2 x (2 x 0.75 mm ²)) shielded; motor end 8-pin circular connector Y-TEC, other cable end open	VW3M5100R250
Motor cable 100 m (328 ft), (4 x 1.0 mm ² + 2 x (2 x 0.75 mm ²)) shielded; both cable ends open	VW3M5300R1000

Motor cables 1.5 mm²

Description	Reference
Motor cable 1.5 m (4.92 ft), (4 x 1.5 mm ² + (2 x 1 mm ²)) shielded; motor end 8-pin circular connector M23, other cable end open	VW3M5101R15
Motor cable 3 m (9.84 ft), (4 x 1.5 mm ² + (2 x 1 mm ²)) shielded; motor end 8-pin circular connector M23, other cable end open	VW3M5101R30
Motor cable 5 m (16.4 ft), (4 x 1.5 mm ² + (2 x 1 mm ²)) shielded; motor end 8-pin circular connector M23, other cable end open	VW3M5101R50
Motor cable 10 m (32.8 ft), (4 x 1.5 mm ² + (2 x 1 mm ²)) shielded; motor end 8-pin circular connector M23, other cable end open	VW3M5101R100
Motor cable 15 m (49.2 ft), (4 x 1.5 mm ² + (2 x 1 mm ²)) shielded; motor end 8-pin circular connector M23, other cable end open	VW3M5101R150
Motor cable 20 m (65.6 ft), (4 x 1.5 mm ² + (2 x 1 mm ²)) shielded; motor end 8-pin circular connector M23, other cable end open	VW3M5101R200
Motor cable 25 m (82 ft), (4 x 1.5 mm ² + (2 x 1 mm ²)) shielded; motor end 8-pin circular connector M23, other cable end open	VW3M5101R250
Motor cable 50 m (164 ft), (4 x 1.5 mm ² + (2 x 1 mm ²)) shielded; motor end 8-pin circular connector M23, other cable end open	VW3M5101R500
Motor cable 75 m (246 ft), (4 x 1.5 mm ² + (2 x 1 mm ²)) shielded; motor end 8-pin circular connector M23, other cable end open	VW3M5101R750
Motor cable 25 m (82 ft), (4 x 1.5 mm ² + (2 x 1 mm ²)) shielded; both cable ends open	VW3M5301R250
Motor cable 50 m (164 ft), (4 x 1.5 mm ² + (2 x 1 mm ²)) shielded; both cable ends open	VW3M5301R500
Motor cable 100 m (328 ft), (4 x 1.5 mm ² + (2 x 1 mm ²)) shielded; both cable ends open	VW3M5301R1000

Motor cables 2.5 mm²

Description	Reference
Motor cable 3 m (9.84 ft), (4 x 2.5 mm ² + (2 x 1 mm ²)) shielded; motor end 8-pin circular connector M23, other cable end open	VW3M5102R30
Motor cable 5 m (16.4 ft), (4 x 2.5 mm ² + (2 x 1 mm ²)) shielded; motor end 8-pin circular connector M23, other cable end open	VW3M5102R50
Motor cable 10 m (32.8 ft), (4 x 2.5 mm ² + (2 x 1 mm ²)) shielded; motor end 8-pin circular connector M23, other cable end open	VW3M5102R100
Motor cable 15 m (49.2 ft), (4 x 2.5 mm ² + (2 x 1 mm ²)) shielded; motor end 8-pin circular connector M23, other cable end open	VW3M5102R150

Description	Reference
Motor cable 20 m (65.6 ft), (4 x 2.5 mm ² + (2 x 1 mm ²)) shielded; motor end 8-pin circular connector M23, other cable end open	VW3M5102R200
Motor cable 25 m (82 ft), (4 x 2.5 mm ² + (2 x 1 mm ²)) shielded; motor end 8-pin circular connector M23, other cable end open	VW3M5102R250
Motor cable 50 m (164 ft), (4 x 2.5 mm ² + (2 x 1 mm ²)) shielded; motor end 8-pin circular connector M23, other cable end open	VW3M5102R500
Motor cable 75 m (246 ft), (4 x 2.5 mm ² + (2 x 1 mm ²)) shielded; motor end 8-pin circular connector M23, other cable end open	VW3M5102R750
Motor cable 25 m (82 ft), (4 x 2.5 mm ² + (2 x 1 mm ²)) shielded; both cable ends open	VW3M5302R250
Motor cable 50 m (164 ft), (4 x 2.5 mm ² + (2 x 1 mm ²)) shielded; both cable ends open	VW3M5302R500
Motor cable 100 m (328 ft), (4 x 2.5 mm ² + (2 x 1 mm ²)) shielded; both cable ends open	VW3M5302R1000

Motor cables 4 mm²

Description	Reference
Motor cable 3 m (9.84 ft), (4 x 4 mm ² + (2 x 1 mm ²)) shielded; motor end 8-pin circular connector M40, other cable end open	VW3M5103R30
Motor cable 5 m (16.4 ft), (4 x 4 mm ² + (2 x 1 mm ²)) shielded; motor end 8-pin circular connector M40, other cable end open	VW3M5103R50
Motor cable 10 m (32.8 ft), (4 x 4 mm ² + (2 x 1 mm ²)) shielded; motor end 8-pin circular connector M40, other cable end open	VW3M5103R100
Motor cable 15 m (49.2 ft), (4 x 4 mm ² + (2 x 1 mm ²)) shielded; motor end 8-pin circular connector M40, other cable end open	VW3M5103R150
Motor cable 20 m (65.6 ft), (4 x 4 mm ² + (2 x 1 mm ²)) shielded; motor end 8-pin circular connector M40, other cable end open	VW3M5103R200
Motor cable 25 m (82 ft), (4 x 4 mm ² + (2 x 1 mm ²)) shielded; motor end 8-pin circular connector M40, other cable end open	VW3M5103R250
Motor cable 50 m (164 ft), (4 x 4 mm ² + (2 x 1 mm ²)) shielded; motor end 8-pin circular connector M40, other cable end open	VW3M5103R500
Motor cable 75 m (246 ft), (4 x 4 mm ² + (2 x 1 mm ²)) shielded; motor end 8-pin circular connector M40, other cable end open	VW3M5103R750
Motor cable 25 m (82 ft), (4 x 4 mm ² + (2 x 1 mm ²)) shielded; both cable ends open	VW3M5303R250
Motor cable 50 m (164 ft), (4 x 4 mm ² + (2 x 1 mm ²)) shielded; both cable ends open	VW3M5303R500
Motor cable 100 m (328 ft), (4 x 4 mm ² + (2 x 1 mm ²)) shielded; both cable ends open	VW3M5303R1000

Motor cables 6 mm²

Description	Reference
Motor cable 3 m (9.84 ft), (4 x 6 mm ² + (2 x 1 mm ²)) shielded; motor end 8-pin circular connector M40, other cable end open	VW3M5105R30
Motor cable 5 m (16.4 ft), (4 x 6 mm ² + (2 x 1 mm ²)) shielded; motor end 8-pin circular connector M40, other cable end open	VW3M5105R50
Motor cable 10 m (32.8 ft), (4 x 6 mm ² + (2 x 1 mm ²)) shielded; motor end 8-pin circular connector M40, other cable end open	VW3M5105R100
Motor cable 15 m (49.2 ft), (4 x 6 mm ² + (2 x 1 mm ²)) shielded; motor end 8-pin circular connector M40, other cable end open	VW3M5105R150
Motor cable 20 m (65.6 ft), (4 x 6 mm ² + (2 x 1 mm ²)) shielded; motor end 8-pin circular connector M40, other cable end open	VW3M5105R200
Motor cable 25 m (82 ft), (4 x 6 mm ² + (2 x 1 mm ²)) shielded; motor end 8-pin circular connector M40, other cable end open	VW3M5105R250
Motor cable 50 m (164 ft), (4 x 6 mm ² + (2 x 1 mm ²)) shielded; motor end 8-pin circular connector M40, other cable end open	VW3M5105R500

Description	Reference
Motor cable 75 m (246 ft), (4 x 6 mm ² + (2 x 1 mm ²)) shielded; motor end 8-pin circular connector M40, other cable end open	VW3M5105R750
Motor cable 25 m (82 ft), (4 x 6 mm ² + (2 x 1 mm ²)) shielded; both cable ends open	VW3M5305R250
Motor cable 50 m (164 ft), (4 x 6 mm ² + (2 x 1 mm ²)) shielded; both cable ends open	VW3M5305R500
Motor cable 100 m (328 ft), (4 x 6 mm ² + (2 x 1 mm ²)) shielded; both cable ends open	VW3M5305R1000

Motor cables 10 mm²

Description	Reference
Motor cable 3 m (9.84 ft), (4 x 10 mm ² + (2 x 1 mm ²)) shielded; motor end 8-pin circular connector M40, other cable end open	VW3M5104R30
Motor cable 5 m (16.4 ft), (4 x 10 mm ² + (2 x 1 mm ²)) shielded; motor end 8-pin circular connector M40, other cable end open	VW3M5104R50
Motor cable 10 m (32.8 ft), (4 x 10 mm ² + (2 x 1 mm ²)) shielded; motor end 8-pin circular connector M40, other cable end open	VW3M5104R100
Motor cable 15 m (49.2 ft), (4 x 10 mm ² + (2 x 1 mm ²)) shielded; motor end 8-pin circular connector M40, other cable end open	VW3M5104R150
Motor cable 20 m (65.6 ft), (4 x 10 mm ² + (2 x 1 mm ²)) shielded; motor end 8-pin circular connector M40, other cable end open	VW3M5104R200
Motor cable 25 m (82 ft), (4 x 10 mm ² + (2 x 1 mm ²)) shielded; motor end 8-pin circular connector M40, other cable end open	VW3M5104R250
Motor cable 50 m (164 ft), (4 x 10 mm ² + (2 x 1 mm ²)) shielded; motor end 8-pin circular connector M40, other cable end open	VW3M5104R500
Motor cable 75 m (246 ft), (4 x 10 mm ² + (2 x 1 mm ²)) shielded; motor end 8-pin circular connector M40, other cable end open	VW3M5104R750
Motor cable 25 m (82 ft), (4 x 10 mm ² + (2 x 1 mm ²)) shielded; both cable ends open	VW3M5304R250
Motor cable 50 m (164 ft), (4 x 10 mm ² + (2 x 1 mm ²)) shielded; both cable ends open	VW3M5304R500
Motor cable 100 m (328 ft), (4 x 10 mm ² + (2 x 1 mm ²)) shielded; both cable ends open	VW3M5304R1000

Encoder Cables

Description	Reference
Encoder cable 3 m (9.84 ft), (3 x 2 x 0.14 mm ² + 2 x 0.34 mm ²) shielded; motor end 12-pin circular connector Y-TEC, device end 10-pin connector RJ45	VW3M8100R30
Encoder cable 5 m (16.4 ft), (3 x 2 x 0.14 mm ² + 2 x 0.34 mm ²) shielded; motor end 12-pin circular connector Y-TEC, device end 10-pin connector RJ45	VW3M8100R50
Encoder cable 10 m (32.8 ft), (3 x 2 x 0.14 mm ² + 2 x 0.34 mm ²) shielded; motor end 12-pin circular connector Y-TEC, device end 10-pin connector RJ45	VW3M8100R100
Encoder cable 15 m (49.2 ft), (3 x 2 x 0.14 mm ² + 2 x 0.34 mm ²) shielded; motor end 12-pin circular connector Y-TEC, device end 10-pin connector RJ45	VW3M8100R150
Encoder cable 25 m (82 ft), (3 x 2 x 0.14 mm ² + 2 x 0.34 mm ²) shielded; motor end 12-pin circular connector Y-TEC, device end 10-pin connector RJ45	VW3M8100R250
Encoder cable 1.5 m (4.92 ft), (3 x 2 x 0.14 mm ² + 2 x 0.34 mm ²) shielded; motor end 12-pin circular connector M23, device end 10-pin connector RJ45	VW3M8102R15
Encoder cable 3 m (9.84 ft), (3 x 2 x 0.14 mm ² + 2 x 0.34 mm ²) shielded; motor end 12-pin circular connector M23, device end 10-pin connector RJ45	VW3M8102R30
Encoder cable 5 m (16.4 ft), (3 x 2 x 0.14 mm ² + 2 x 0.34 mm ²) shielded; motor end 12-pin circular connector M23, device end 10-pin connector RJ45	VW3M8102R50
Encoder cable 10 m (32.8 ft), (3 x 2 x 0.14 mm ² + 2 x 0.34 mm ²) shielded; motor end 12-pin circular connector M23, device end 10-pin connector RJ45	VW3M8102R100
Encoder cable 15 m (49.2 ft), (3 x 2 x 0.14 mm ² + 2 x 0.34 mm ²) shielded; motor end 12-pin circular connector M23, device end 10-pin connector RJ45	VW3M8102R150
Encoder cable 20 m (65.6 ft), (3 x 2 x 0.14 mm ² + 2 x 0.34 mm ²) shielded; motor end 12-pin circular connector M23, device end 10-pin connector RJ45	VW3M8102R200
Encoder cable 25 m (82 ft), (3 x 2 x 0.14 mm ² + 2 x 0.34 mm ²) shielded; motor end 12-pin circular connector M23, device end 10-pin connector RJ45	VW3M8102R250
Encoder cable 50 m (164 ft), (3 x 2 x 0.14 mm ² + 2 x 0.34 mm ²) shielded; motor end 12-pin circular connector M23, device end 10-pin connector RJ45	VW3M8102R500
Encoder cable 75 m (246 ft), (3 x 2 x 0.14 mm ² + 2 x 0.34 mm ²) shielded; motor end 12-pin circular connector M23, device end 10-pin connector RJ45	VW3M8102R750
Encoder cable 25 m (82 ft), (3 x 2 x 0.14 mm ² + 2 x 0.34 mm ²) shielded; both cable ends open	VW3M8222R250
Encoder cable 50 m (164 ft), (3 x 2 x 0.14 mm ² + 2 x 0.34 mm ²) shielded; both cable ends open	VW3M8222R500
Encoder cable 100 m (328 ft), (3 x 2 x 0.14 mm ² + 2 x 0.34 mm ²) shielded; both cable ends open	VW3M8222R1000
Encoder cable 100 m (328 ft), (5 x 2 x 0.25 mm ² + 2 x 0.5 mm ²) shielded; both cable ends open	VW3M8221R1000
Encoder cable 1 m (3.28 ft), shielded; HD15 D-SUB (male); other cable end open	VW3M4701

Connectors

Description	Reference
Connector for motor cable, motor end Y-TEC, 1 mm ² , 5 pieces	VW3M8219
Connector for motor cable, motor end M23, 1.5 ... 2.5 mm ² , 5 pieces	VW3M8215
Connector for motor cable, motor end M40, 4 mm ² , 5 pieces	VW3M8217
Connector for motor cable, motor end M40, 6...10 mm ² , 5 pieces	VW3M8218
Connector for encoder cable, motor end Y-TEC, 5 pieces	VW3M8220
Connector for encoder cable, motor end M23, 5 pieces	VW3M8214
Connector for encoder cable, drive end RJ45 (10 pins), 5 pieces	VW3M2208

The tools required for cable assembly can be ordered directly from the manufacturer.

- Crimping tool for power connector Y-TEC:
Intercontec C0.201.00 or C0.235.00
www.intercontec.com
- Crimping tool for power connector M23/M40:
Coninvers SF-Z0025, SF-Z0026
www.coninvers.com
- Crimping tool for encoder connector Y-TEC:
Intercontec C0.201.00 or C0.235.00
www.intercontec.com
- Crimping tool for encoder connector M23:
Coninvers RC-Z2514
www.coninvers.com
- Crimping tools for encoder connector RJ45 10 pins:
Yamaichi Y-ConTool-11, Y-ConTool-20, Y-ConTool-30
www.yamaichi.com

External Braking Resistors

Description	Reference
Braking resistor IP65; 10 Ω; maximum continuous power 400 W; 0.75 m (2.46 ft) connection cable, 2.1 mm ² (AWG 14)	VW3A7601R07
Braking resistor IP65; 10 Ω; maximum continuous power 400 W; 2 m (6.56 ft) connection cable, 2.1 mm ² (AWG 14)	VW3A7601R20
Braking resistor IP65; 10 Ω; maximum continuous power 400 W; 3 m (9.84 ft) connection cable, 2.1 mm ² (AWG 14)	VW3A7601R30
Braking resistor IP65; 27 Ω; maximum continuous power 100 W; 0.75 m (2.46 ft) connection cable, 2.1 mm ² (AWG 14), UL	VW3A7602R07
Braking resistor IP65; 27 Ω; maximum continuous power 100 W; 2 m (6.56 ft) connection cable, 2.1 mm ² (AWG 14), UL	VW3A7602R20
Braking resistor IP65; 27 Ω; maximum continuous power 100 W; 3 m (9.84 ft) connection cable, 2.1 mm ² (AWG 14), UL	VW3A7602R30
Braking resistor IP65; 27 Ω; maximum continuous power 200 W; 0.75 m (2.46 ft) connection cable, 2.1 mm ² (AWG 14), UL	VW3A7603R07
Braking resistor IP65; 27 Ω; maximum continuous power 200 W; 2 m (6.56 ft) connection cable, 2.1 mm ² (AWG 14), UL	VW3A7603R20
Braking resistor IP65; 27 Ω; maximum continuous power 200 W; 3 m (9.84 ft) connection cable, 2.1 mm ² (AWG 14), UL	VW3A7603R30
Braking resistor IP65; 27 Ω; maximum continuous power 400 W; 0.75 m (2.46 ft) connection cable, 2.1 mm ² (AWG 14)	VW3A7604R07
Braking resistor IP65; 27 Ω; maximum continuous power 400 W; 2 m (6.56 ft) connection cable, 2.1 mm ² (AWG 14)	VW3A7604R20
Braking resistor IP65; 27 Ω; maximum continuous power 400 W; 3 m (9.84 ft) connection cable, 2.1 mm ² (AWG 14)	VW3A7604R30
Braking resistor IP65; 72 Ω; maximum continuous power 100 W; 0.75 m (2.46 ft) connection cable, 2.1 mm ² (AWG 14), UL	VW3A7605R07
Braking resistor IP65; 72 Ω; maximum continuous power 100 W; 2 m (6.56 ft) connection cable, 2.1 mm ² (AWG 14), UL	VW3A7605R20
Braking resistor IP65; 72 Ω; maximum continuous power 100 W; 3 m (9.84 ft) connection cable, 2.1 mm ² (AWG 14), UL	VW3A7605R30
Braking resistor IP65; 72 Ω; maximum continuous power 200 W; 0.75 m (2.46 ft) connection cable, 2.1 mm ² (AWG 14), UL	VW3A7606R07
Braking resistor IP65; 72 Ω; maximum continuous power 200 W; 2 m (6.56 ft) connection cable, 2.1 mm ² (AWG 14), UL	VW3A7606R20
Braking resistor IP65; 72 Ω; maximum continuous power 200 W; 3 m (9.84 ft) connection cable, 2.1 mm ² (AWG 14), UL	VW3A7606R30
Braking resistor IP65; 72 Ω; maximum continuous power 400 W; 0.75 m (2.46 ft) connection cable, 2.1 mm ² (AWG 14)	VW3A7607R07
Braking resistor IP65; 72 Ω; maximum continuous power 400 W; 2 m (6.56 ft) connection cable, 2.1 mm ² (AWG 14)	VW3A7607R20
Braking resistor IP65; 72 Ω; maximum continuous power 400 W; 3 m (9.84 ft) connection cable, 2.1 mm ² (AWG 14)	VW3A7607R30
Braking resistor IP65; 100 Ω; maximum continuous power 100 W; 0.75 m (2.46 ft) connection cable, 2.1 mm ² (AWG 14), UL	VW3A7608R07
Braking resistor IP65; 100 Ω; maximum continuous power 100 W; 2 m (6.56 ft) connection cable, 2.1 mm ² (AWG 14), UL	VW3A7608R20
Braking resistor IP65; 100 Ω; maximum continuous power 100 W; 3 m (9.84 ft) connection cable, 2.1 mm ² (AWG 14), UL	VW3A7608R30
Braking resistor IP20; 16 Ω; maximum continuous power 960 W; M6 terminals, UL	VW3A7704
Braking resistor IP20; 10 Ω; maximum continuous power 960 W; M6 terminals, UL	VW3A7705

DC Bus Accessories

Description	Reference
DC bus connection cable, 0.1 m (0.33 ft), 2 * 6 mm ² (2 * AWG 10), pre-assembled, 5 pieces	VW3M7101R01
DC bus connection cable, 15 m (49.2 ft), 2 * 6 mm ² (2 * AWG 10), Twisted Pair, shielded	VW3M7102R150
DC bus connector kit, connector housing and crimp contacts for 3 ... 6 mm ² (AWG 12 ... 10), 10 pieces	VW3M2207

A crimping tool is required for the crimp contacts of the connector kit. Manufacturer:
Tyco Electronics, Heavy Head Hand Tool, Tool Pt. No 180250

Mains Reactors

Description	Reference
Mains reactor single-phase; 50-60 Hz; 7 A; 5 mH; IP00	VZ1L007UM50
Mains reactor single-phase; 50-60 Hz; 18 A; 2 mH; IP00	VZ1L018UM20
Mains reactor three-phase; 50-60 Hz; 16 A; 2 mH; IP00	VW3A4553
Mains reactor three-phase; 50-60 Hz; 30 A; 1 mH; IP00	VW3A4554
Mains reactor three-phase; 50-60 Hz; 60 A; 0.5 mH; IP00	VW3A4555

External Mains Filters

Description	Reference
Mains filter single-phase; 9 A; 115/230 Vac	VW3A4420
Mains filter single-phase; 16 A; 115/230 Vac	VW3A4421
Mains filter three-phase; 15 A; 208/400/480 Vac	VW3A4422
Mains filter three-phase; 25 A; 208/400/480 Vac	VW3A4423
Mains filter three-phase; 47 A; 208/400/480 Vac	VW3A4424

Spare Parts Connectors, Fans, Cover Plates

Description	Reference
Connector kit LXM32M: 3 x AC power stage supply (230/400 Vac), 1 x control supply, 2 x digital inputs/outputs (6-pin), 2 x motor (10 A / 24 A), 1 x holding brake	VW3M2203
Cover plate for module slot, spare part to replace damaged/lost cover plates, 10 pieces	VW3M2405
Cooling fan kit 40 x 40 mm (1.57 x 1.57 in), plastic housing, with connection cable	VW3M2401
Cooling fan kit 60 x 60 mm (2.36 x 2.36 in), plastic housing, with connection cable	VW3M2402
Cooling fan kit 80 x 80 mm (3.15 x 3.15 in), plastic housing, with connection cable	VW3M2403

Chapter 13

Service, Maintenance, and Disposal

What Is in This Chapter?

This chapter contains the following topics:

Topic	Page
Service Addresses	636
Maintenance	637
Replacing the Product	638
Replacement of the Motor	639
Shipping, Storage, Disposal	640

Service Addresses

Schneider Electric Automation GmbH

Schneiderplatz 1
97828 Marktheidenfeld, Germany
Phone: +49 (0) 9391 / 606 - 0
Fax: +49 (0) 9391 / 606 - 4000
Email: info-marktheidenfeld@se.com

Additional Contact Addresses

See the homepage for additional contact addresses:

<https://www.se.com>

Maintenance

Maintenance Plan

Inspect the product for pollution or damage at regular intervals.

Repairs may only be made by the manufacturer. No warranty or liability is accepted for repairs made by unauthorized persons.

Prior to any type of work on the drive system, consult the chapters on Installation and Commissioning for information on the precautions and processes to be observed.

Include the following points in the maintenance plan of your machine.

Connections and Fastening

- Inspect all connection cables and connectors regularly for damage. Replace damaged cables immediately.
- Verify that all output elements are firmly seated.
- Tighten all mechanical and electrical threaded connections to the specified torque.

Lifetime Safety Function STO

The STO safety function is designed for a lifetime of 20 years. After this period, the data of the safety function are no longer valid. The expiry date is determined by adding 20 years to the DOM shown on the nameplate of the product.

- This date must be included in the maintenance plan of the system.
Do not use the safety function after this date.

Example:

The DOM on the nameplate of the product is shown in the format DD.MM.YY, for example 31.12.16. (31 December 2016). This means: Do not use the safety function after December 31, 2036.

Replacing the Product

Unsuitable parameter values or unsuitable data may trigger unintended movements, trigger signals, damage parts and disable monitoring functions. Some parameter values or data do not become active until after a restart.

WARNING

UNINTENDED EQUIPMENT OPERATION

- Only start the system if there are no persons or obstructions in the zone of operation.
- Do not operate the drive system with undetermined parameter values or data.
- Never modify a parameter value unless you fully understand the parameter and all effects of the modification.
- Restart the drive and verify the saved operational data and/or parameter values after modifications.
- Carefully run tests for all operating states and potential error situations when commissioning, upgrading or otherwise modifying the operation of the drive.
- Verify the functions after replacing the product and also after making modifications to the parameter values and/or other operational data.

Failure to follow these instructions can result in death, serious injury, or equipment damage.

Follow the procedure below for replacing devices.

- Save all parameter settings. To do so, use a memory card or save the data to a PC using the commissioning software, see chapter Parameter Management (*see page 192*).
- Power off all supply voltages. Verify that no voltages are present (safety instructions).
- Label all connections and remove all connection cables (unlock connector locks).
- Uninstall the product.
- Note the identification number and the serial number shown on the product nameplate for later identification.
- Install the new product as per chapter Installation (*see page 97*).
- If the product to be installed has previously been used in a different system or application, you must restore the factory settings before commissioning the product.
- Commission the product as per chapter Commissioning (*see page 137*).

Replacement of the Motor

Drive systems may perform unintended movements if unapproved combinations of drive and motor are used. Though the connectors for motor connection and encoder connection may match mechanically, this does not imply that the motor is approved for use.

WARNING

UNINTENDED MOVEMENT

Only use approved combinations of drive and motor.

Failure to follow these instructions can result in death, serious injury, or equipment damage.

- Power off all supply voltages. Verify that no voltages are present (safety instructions).
- Label all connections and uninstall the product.
- Note the identification number and the serial number shown on the product nameplate for later identification.
- Install the new product as per chapter Installation ([see page 97](#)).

If the connected motor is replaced by another motor, the motor data set is read again. If the device detects a different motor type, the control loop parameters are recalculated and the HMI displays $\Pi \square E$. See chapter Acknowledging a Motor Change ([see page 418](#)) for additional information.

If the motor is replaced, the encoder parameters must also be re-adjusted, see chapter Setting Parameters for Encoder ([see page 171](#)).

If a motor encoder is connected via encoder 2 (module), a motor replacement is not detected. Observe the information provided in the encoder manual.

Changing the Motor Type Temporarily

If you want to operate the new motor type only temporarily via the device, press ESC at the HMI.

The newly calculated control loop parameters are not saved to the nonvolatile memory. This way, you can resume operation with the original motor using the saved control loop parameters.

Changing the Motor Type Permanently

If you want to operate the new motor type permanently via this device, press the navigation button at the HMI.

The newly calculated control loop parameters are saved to the nonvolatile memory.

See also chapter Acknowledging a Motor Change ([see page 418](#)).

Shipping, Storage, Disposal

Shipping

The product must be protected against shocks during transportation. If possible, use the original packaging for shipping.

Storage

The product may only be stored in spaces where the specified permissible ambient conditions are met. Protect the product from dust and dirt.

Disposal

The product consists of various materials that can be recycled. Dispose of the product in accordance with local regulations.

Visit <https://www.se.com/green-premium> for information and documents on environmental protection as per ISO 14025 such as:

- EoLi (Product End-of-Life Instructions)
- PEP (Product Environmental Profile)



A

Actual value

In control engineering, the actual value is the value of the controlled variable at a given instant (for example, actual velocity, actual torque, actual position, actual current, and so on). An actual value can be a measured value (for example, the actual position can be a value measured by an encoder) or a derived value (for example, the actual torque can be a value derived from the actual current). The actual value is an input value used by the control loops of the drive to reach the reference value. Definition as per IEC 61800-7 series and IEC 60050.

C

CCW

Counter **C**lock**w**ise.

CW

Clockwise.

D

DC bus

Circuit that supplies the power stage with energy (direct voltage).

Degree of protection

The degree of protection is a standardized specification for electrical equipment that describes the protection against the ingress of foreign objects and water (for example: IP 20).

Direction of movement

In the case of a rotary motors, direction of movement is defined in accordance with IEC 61800-7-204: Positive direction is when the motor shaft rotates clockwise as you look at the end of the protruding motor shaft.

DOM

Date of manufacturing: The nameplate of the product shows the date of manufacture in the format DD.MM.YY or in the format DD.MM.YYYY. For example:

31.12.19 corresponds to December 31, 2019.

31.12.2019 corresponds to December 31, 2019.

Drive system

System consisting of controller, drive and motor.

E

Electronic gear

Calculation of a new output velocity for the motor movement based on the input velocity and the values of an adjustable gear ratio; calculated by the drive system.

EMC

Electromagnetic compatibility

Encoder

Sensor that converts a measured distance or angle into an electrical signal. This signal is evaluated by the drive to determine the actual position of a shaft (rotor) or a driving unit.

Error

Discrepancy between a detected (computed, measured or signaled) value or condition and the specified or theoretically correct value or condition.

Error class

Classification of errors into groups. The different error classes allow for specific responses to errors, for example by severity.

F**Factory settings**

Settings when the product is shipped.

Fault

Fault is an operating state. If the monitoring functions detect an error, a transition to this operating state is triggered, depending on the error class. A "Fault Reset" or a power cycle are required to exit this operating state. Prior to this, the cause of the detected error must be removed. Further information can be found in the pertinent standards such as IEC 61800-7, ODVA Common Industrial Protocol (CIP).

Fault Reset

Function used to exit the operating state Fault. Before the function is used, the cause of the detected error must be removed.

I**I/O**

Inputs/outputs

I2t monitoring

Anticipatory temperature monitoring. The expected temperature rise of components is calculated in advance on the basis of the motor current. If a limit value is exceeded, the drive reduces the motor current.

Inc

Increments

Index pulse

Signal of an encoder to reference the rotor position in the motor. The encoder returns one index pulse per revolution.

Internal units

Resolution of the power stage at which the motor can be positioned. Internal units are specified in increments.

L**Limit switch**

Switches that signal overtravel of the permissible range of travel.

M**Monitoring function**

Monitoring functions acquire a value continuously or cyclically (for example, by measuring) in order to check whether it is within permissible limits. Monitoring functions are used for error detection. Monitoring functions are not safety functions.

N**NMT**

Network Management (NMT), part of the CANopen communication profile; tasks include initialization of the network and devices, starting, stopping and monitoring of devices

Node guarding

Monitoring of the connection to the slave at an interface for cyclic data traffic.

P**Parameter**

Device data and values that can be read and set (to a certain extent) by the user.

PELV

Protective Extra Low Voltage, low voltage with isolation. For more information: IEC 60364-4-41

Persistent

Indicates whether the value of the parameter remains in the memory after the device is switched off.

Power stage

The power stage controls the motor. The power stage generates current for controlling the motor on the basis of the motion signals from the controller.

Pulse/direction signals

Digital signals with variable pulse frequencies which signal changes in position and direction of movement via separate signal wires.

Q**Quick Stop**

The function can be used for fast deceleration of a movement as a response to a detected error or via a command.

R**RCD**

RCD residual current device.

rms

"Root Mean Square" value of a voltage (V_{rms}) or a current (A_{rms})

RS485

Fieldbus interface as per EIA-485 which enables serial data transmission with multiple devices.

S**Safety-related function**

Safety-related functions are defined in the standard IEC 61800-5-2 (for example, Safe Torque Off (STO), Safe Operating Stop (SOS) or Safe Stop 1 (SS1)).

Scaling factor

This factor is the ratio between an internal unit and a user-defined unit.

U**User-defined unit**

Unit whose reference to motor movement can be determined by the user via parameters.



0-9

24 Vdc control supply, 41

A

access channels, 200
approved motors, 32
automatic reading of the motor data record, 159

B

before you begin
 safety information, 9
Braking resistor:Selection, 82

C

cable specifications, 71
capacitor and braking resistor, 50
category 0 stop, 90
category 1 stop, 90
certifications, 57
components and interfaces, 21
controller structure, 182

D

device overview, 20
disposal, 640, 640

E

emission, 54
equipotential bonding conductors, 68
error class, 262
error class of error messages, 435
error memory, 431
error messages, 434
error response, 262
external braking resistors (accessories), 52

F

function A/B signals, 47
function CW/CCW signals, 49
function P/D signals, 48

I

input circuit, 45
installation site and connection, 26
intended use, 10

M

Monitoring:Braking resistor, 82

N

nameplate, 22

O

operating states, 260

P

parameter _AccessInfo, 475
parameter _actionStatus, 402, 475
parameter _AT_J, 180, 475
parameter _AT_M_friction, 180, 475
parameter _AT_M_load, 180, 476
parameter _AT_progress, 179, 476
parameter _AT_state, 179, 476
parameter _CanDiag, 476
parameter _Cap1CntFall, 370, 476
parameter _Cap1CntRise, 369, 476
parameter _Cap1Count, 476
parameter _Cap1CountCons, 365, 477
parameter _Cap1Pos, 365, 477
parameter _Cap1PosCons, 365, 477
parameter _Cap1PosFallEdge, 369, 477
parameter _Cap1PosRisEdge, 369, 477
parameter _Cap2CntFall, 370, 477
parameter _Cap2CntRise, 370, 477
parameter _Cap2Count, 478
parameter _Cap2CountCons, 365, 478
parameter _Cap2Pos, 365, 478
parameter _Cap2PosCons, 366, 478
parameter _Cap2PosFallEdge, 370, 478
parameter _Cap2PosRisEdge, 370, 478
parameter _Cap3Count, 478
parameter _Cap3CountCons, 366, 479
parameter _Cap3Pos, 365, 479
parameter _Cap3PosCons, 366, 479
parameter _CapEventCounters, 370, 479
parameter _CapStatus, 364, 479
parameter _CommutCntAct, 479
parameter _Cond_State4, 480
parameter _CTRL_ActParSet, 183, 248, 480
parameter _CTRL_KPid, 480
parameter _CTRL_KPiq, 480
parameter _CTRL_TNid, 480
parameter _CTRL_TNiq, 480
parameter _DataError, 480
parameter _DataErrorInfo, 481
parameter _DCOMopmd_act, 481
parameter _DCOMstatus, 402, 427, 481
parameter _DEV_T_current, 481
parameter _DPL_BitShiftRefA16, 481
parameter _DPL_driveInput, 482
parameter _DPL_driveStat, 482
parameter _DPL_mfStat, 482
parameter _DPL_motionStat, 403, 482
parameter _ECATaddress, 482
parameter _ECATslavestate, 482
parameter _ENC_AmplMax, 482

parameter `_ENC_AmplMean`, 483
parameter `_ENC_AmplMin`, 483
parameter `_ENC_AmplVal`, 483
parameter `_Enc2Cos`, 483
parameter `_Enc2Sin`, 483
parameter `_ENCAnaHallStatu`, 483
parameter `_ERR_class`, 431, 483
parameter `_ERR_DCbus`, 432, 484
parameter `_ERR_enable_cycl`, 433, 484
parameter `_ERR_enable_time`, 433, 484
parameter `_ERR_motor_l`, 432, 484
parameter `_ERR_motor_v`, 432, 484
parameter `_ERR_number`, 431, 484
parameter `_ERR_powerOn`, 432, 484
parameter `_ERR_qual`, 432, 485
parameter `_ERR_temp_dev`, 432, 485
parameter `_ERR_temp_ps`, 432, 485
parameter `_ERR_time`, 432, 485
parameter `_ErrNumFbParSvc`, 485
parameter `_eSM_funct`, 485
parameter `_eSM_LI_act`, 486
parameter `_eSM_LI_mask`, 486
parameter `_eSM_LO_act`, 486
parameter `_eSM_state`, 486
parameter `_eSMVer`, 486
parameter `_EthIPgateAct1`, 487
parameter `_EthIPgateAct2`, 487
parameter `_EthIPgateAct3`, 487
parameter `_EthIPgateAct4`, 487
parameter `_EthIPmaskAct1`, 487
parameter `_EthIPmaskAct2`, 487
parameter `_EthIPmaskAct3`, 488
parameter `_EthIPmaskAct4`, 488
parameter `_EthIPmoduleAct1`, 488
parameter `_EthIPmoduleAct2`, 488
parameter `_EthIPmoduleAct3`, 488
parameter `_EthIPmoduleAct4`, 488
parameter `_EthMAC1`, 489
parameter `_EthMAC2`, 489
parameter `_EthMAC3`, 489
parameter `_EthMAC4`, 489
parameter `_EthMAC5`, 489
parameter `_EthMAC6`, 489
parameter `_fwNoSlot1`, 490
parameter `_fwNoSlot2`, 490
parameter `_fwNoSlot3`, 490
parameter `_fwNoSlot3Boot`, 490
parameter `_fwNoSlot3FPGA`, 490
parameter `_fwRevSlot1`, 490
parameter `_fwRevSlot2`, 491
parameter `_fwRevSlot3`, 491
parameter `_fwRevSlot3Boot`, 491
parameter `_fwRevSlot3FPGA`, 491
parameter `_fwVersSlot1`, 491
parameter `_fwVersSlot2`, 491
parameter `_fwVersSlot3`, 492
parameter `_fwVersSlot3Boot`, 492
parameter `_fwVersSlot3FPGA`, 492
parameter `_GEAR_p_diff`, 492
parameter `_HMdisREFtoIDX`, 492
parameter `_HMdisREFtoIDX_usr`, 326, 492
parameter `_hwVersCPU`, 492
parameter `_hwVersPS`, 493
parameter `_hwVersSlot1`, 493
parameter `_hwVersSlot2`, 493
parameter `_hwVersSlot3`, 493
parameter `_I_act`, 493
parameter `_ld_act_rms`, 493
parameter `_ld_ref_rms`, 493
parameter `_lmax_act`, 494
parameter `_lmax_system`, 494
parameter `_Inc_ENC2Raw`, 494
parameter `_InvalidParam`, 494
parameter `_IO_act`, 163, 494
parameter `_IO_DI_act`, 163, 494
parameter `_IO_DQ_act`, 163, 495
parameter `_IO_STO_act`, 163, 495
parameter `_IOdataMtoS01`, 495
parameter `_IOdataStoM01`, 495
parameter `_IOM1_AI11_act`, 495
parameter `_IOM1_AI12_act`, 495
parameter `_IOM1_AQ11_ref`, 496
parameter `_IOM1_AQ12_ref`, 496
parameter `_IOM1_DI_act`, 496
parameter `_IOM1_DQ_act`, 496
parameter `_IOmappingMtoS01`, 496
parameter `_IOmappingStoM01`, 496
parameter `_IPAddressAct1`, 497
parameter `_IPAddressAct2`, 497
parameter `_IPAddressAct3`, 497
parameter `_IPAddressAct4`, 497
parameter `_IPgateAct1`, 497
parameter `_IPgateAct2`, 497
parameter `_IPgateAct3`, 497
parameter `_IPgateAct4`, 498
parameter `_IPmaskAct1`, 498
parameter `_IPmaskAct2`, 498
parameter `_IPmaskAct3`, 498
parameter `_IPmaskAct4`, 498
parameter `_lq_act_rms`, 498
parameter `_lq_ref_rms`, 498
parameter `_LastError`, 430, 499
parameter `_LastError_Qual`, 499
parameter `_LastWarning`, 430, 499
parameter `_M_BRK_T_apply`, 499
parameter `_M_BRK_T_release`, 499
parameter `_M_Enc_Cosine`, 499
parameter `_M_Enc_Sine`, 499
parameter `_M_Encoder`, 500
parameter `_M_HoldingBrake`, 500
parameter `_M_I_0`, 500
parameter `_M_I_max`, 500
parameter `_M_I_nom`, 500
parameter `_M_I2t`, 500
parameter `_M_Jrot`, 500
parameter `_M_kE`, 501
parameter `_M_L_d`, 501
parameter `_M_L_q`, 501
parameter `_M_load`, 407, 501
parameter `_M_M_0`, 501
parameter `_M_M_max`, 501
parameter `_M_M_nom`, 501
parameter `_M_maxoverload`, 408, 502
parameter `_M_n_max`, 502
parameter `_M_n_nom`, 502
parameter `_M_overload`, 408, 502
parameter `_M_Polepair`, 502
parameter `_M_PolePairPitch`, 502
parameter `_M_R_UV`, 502
parameter `_M_T_current`, 406, 503

parameter *_M_T_max*, 406, 503
parameter *_M_Type*, 503
parameter *_M_U_max*, 503
parameter *_M_U_nom*, 503
parameter *_ManuSdoAbort*, 503
parameter *_ModeError*, 503
parameter *_ModeErrorInfo*, 504
parameter *_ModuleSlot1*, 504
parameter *_ModuleSlot2*, 504
parameter *_ModuleSlot3*, 504
parameter *_MSM_avail_ds*, 504
parameter *_MSM_error_field*, 343, 505
parameter *_MSM_error_num*, 343, 505
parameter *_MSM_used_data_sets*, 505
parameter *_MSMactNum*, 505
parameter *_MSMnextNum*, 505
parameter *_MSMNumFinish*, 343, 505
parameter *_n_act*, 506
parameter *_n_act_ENC1*, 506
parameter *_n_act_ENC2*, 506
parameter *_n_ref*, 506
parameter *_OFSp_act*, 506
parameter *_OpHours*, 506
parameter *_p_absENC*, 171, 506
parameter *_p_absmodulo*, 506
parameter *_p_act*, 319, 507
parameter *_p_act_ENC1*, 507
parameter *_p_act_ENC1_int*, 507
parameter *_p_act_ENC2*, 507
parameter *_p_act_ENC2_int*, 507
parameter *_p_act_int*, 507
parameter *_p_addGEAR*, 507
parameter *_p_dif*, 508
parameter *_p_dif_load*, 508
parameter *_p_dif_load_peak*, 508
parameter *_p_dif_load_peak_usr*, 381, 508
parameter *_p_dif_load_usr*, 381, 508
parameter *_p_dif_usr*, 508
parameter *_p_DifENC1toENC2*, 508
parameter *_p_PTI_act*, 509
parameter *_p_ref*, 509
parameter *_p_ref_int*, 509
parameter *_PAR_ScalingError*, 509
parameter *_PAR_ScalingState*, 509
parameter *_PBbaud*, 509
parameter *_PBprofile*, 510
parameter *_PntMAC1*, 510
parameter *_PntMAC2*, 510
parameter *_PntMAC3*, 510
parameter *_PntMAC4*, 510
parameter *_PntMAC5*, 511
parameter *_PntMAC6*, 511
parameter *_PntProfile*, 511
parameter *_PosRegStatus*, 390, 511
parameter *_Power_act*, 511
parameter *_Power_mean*, 511
parameter *_pref_acc*, 511
parameter *_pref_v*, 512
parameter *_prgNoDEV*, 512
parameter *_prgRevDEV*, 512
parameter *_prgVerDEV*, 512
parameter *_PS_I_max*, 512
parameter *_PS_I_nom*, 512
parameter *_PS_load*, 407, 512
parameter *_PS_maxoverload*, 408, 512
parameter *_PS_overload*, 408, 513
parameter *_PS_overload_cte*, 513
parameter *_PS_overload_l2t*, 513
parameter *_PS_overload_psq*, 513
parameter *_PS_T_current*, 406, 513
parameter *_PS_T_max*, 406, 513
parameter *_PS_T_warn*, 406, 513
parameter *_PS_U_maxDC*, 514
parameter *_PS_U_minDC*, 514
parameter *_PS_U_minStopDC*, 514
parameter *_PT_max_val*, 514
parameter *_RAMP_p_act*, 514
parameter *_RAMP_p_target*, 514
parameter *_RAMP_v_act*, 514
parameter *_RAMP_v_target*, 514
parameter *_RES_load*, 407, 515
parameter *_RES_maxoverload*, 408, 515
parameter *_RES_overload*, 408, 515
parameter *_RESint_P*, 515
parameter *_RESint_R*, 515
parameter *_RMAC_DetailStatus*, 372, 515
parameter *_RMAC_Status*, 372, 515
parameter *_ScalePOSmax*, 516
parameter *_ScaleRAMPmax*, 516
parameter *_ScaleVELmax*, 516
parameter *_SigActive*, 516
parameter *_SigLatched*, 429, 517
parameter *_SuppDriveModes*, 517
parameter *_TouchProbeStat*, 369, 517
parameter *_tq_act*, 518
parameter *_Ud_ref*, 518
parameter *_UDC_act*, 518
parameter *_Udq_ref*, 518
parameter *_Uq_ref*, 518
parameter *_v_act*, 518
parameter *_v_act_ENC1*, 518
parameter *_v_act_ENC2*, 518
parameter *_v_dif_usr*, 383, 519
parameter *_v_PTI_act*, 519
parameter *_v_ref*, 519
parameter *_Vmax_act*, 519
parameter *_VoltUtil*, 519
parameter *_WarnActive*, 519
parameter *_WarnLatched*, 428, 520
parameter *AbsHomeRequest*, 520
parameter *AccessExcl*, 520
parameter *AccessLock*, 200, 521
parameter *AT_dir*, 178, 521
parameter *AT_dis*, 521
parameter *AT_dis_usr*, 178, 521
parameter *AT_mechanical*, 178, 521
parameter *AT_n_ref*, 522
parameter *AT_start*, 178, 522
parameter *AT_v_ref*, 522
parameter *AT_wait*, 180, 522
parameter *BLSH_Mode*, 375, 522
parameter *BLSH_Position*, 374, 522
parameter *BLSH_Time*, 375, 522
parameter *BRK_AddT_apply*, 167, 523
parameter *BRK_AddT_release*, 167, 523
parameter *BRK_release*, 169, 523
parameter *CANaddress*, 523
parameter *CANbaud*, 523
parameter *CANpdo1Event*, 523
parameter *CANpdo2Event*, 523

- parameter CANpdo3Event, 524
- parameter CANpdo4Event, 524
- parameter Cap1Activate, 364, 524
- parameter Cap1Config, 363, 524
- parameter Cap1Source, 363, 368, 524
- parameter Cap2Activate, 364, 524
- parameter Cap2Config, 363, 524
- parameter Cap2Source, 363, 368, 525
- parameter Cap3Activate, 364, 525
- parameter Cap3Config, 363, 525
- parameter Cap3Source, 363, 525
- parameter CLSET_p_DiffWin, 525
- parameter CLSET_p_DiffWin_usr, 250, 525
- parameter CLSET_ParSwiCond, 250, 526
- parameter CLSET_v_Threshold, 250, 526
- parameter CLSET_winTime, 250, 526
- parameter CommutCntCred, 526
- parameter CommutCntMax, 527
- parameter CTRL_GlobGain, 179, 527
- parameter CTRL_I_max, 160, 527
- parameter CTRL_I_max_fw, 527
- parameter CTRL_KFAcc, 527
- parameter CTRL_ParChgTime, 183, 251, 528
- parameter CTRL_ParSetCopy, 252, 528
- parameter CTRL_PwrUpParSet, 248, 528
- parameter CTRL_SelParSet, 183, 248, 528
- parameter CTRL_SmoothCurr, 528
- parameter CTRL_SpdFric, 528
- parameter CTRL_TAUact, 529
- parameter CTRL_v_max, 161, 529
- parameter CTRL_VelObsActiv, 529
- parameter CTRL_VelObsDyn, 529
- parameter CTRL_VelObsInert, 529
- parameter CTRL_vPIDDPart, 529
- parameter CTRL_vPIDDTime, 529
- parameter CTRL1_KFPp, 254, 530
- parameter CTRL1_Kfric, 255, 530
- parameter CTRL1_KPn, 185, 254, 530
- parameter CTRL1_KPp, 190, 254, 530
- parameter CTRL1_Nf1bandw, 255, 530
- parameter CTRL1_Nf1damp, 254, 530
- parameter CTRL1_Nf1freq, 255, 530
- parameter CTRL1_Nf2bandw, 255, 530
- parameter CTRL1_Nf2damp, 255, 531
- parameter CTRL1_Nf2freq, 255, 531
- parameter CTRL1_Osupdamp, 255, 531
- parameter CTRL1_Osupdelay, 255, 531
- parameter CTRL1_TAUiref, 254, 531
- parameter CTRL1_TAUiref, 186, 254, 531
- parameter CTRL1_TNn, 185, 188, 254, 531
- parameter CTRL2_KFPp, 256, 531
- parameter CTRL2_Kfric, 257, 532
- parameter CTRL2_KPn, 185, 256, 532
- parameter CTRL2_KPp, 190, 256, 532
- parameter CTRL2_Nf1bandw, 257, 532
- parameter CTRL2_Nf1damp, 256, 532
- parameter CTRL2_Nf1freq, 257, 532
- parameter CTRL2_Nf2bandw, 257, 532
- parameter CTRL2_Nf2damp, 257, 532
- parameter CTRL2_Nf2freq, 257, 533
- parameter CTRL2_Osupdamp, 257, 533
- parameter CTRL2_Osupdelay, 257, 533
- parameter CTRL2_TAUiref, 256, 533
- parameter CTRL2_TAUiref, 186, 256, 533
- parameter CTRL2_TNn, 185, 188, 256, 533
- parameter DCbus_compat, 533
- parameter DCOMcontrol, 534
- parameter DCOMopmode, 534
- parameter DEVcmdinterf, 202, 534
- parameter DI_0_Debounce, 236, 534
- parameter DI_1_Debounce, 236, 534
- parameter DI_2_Debounce, 236, 535
- parameter DI_3_Debounce, 236, 535
- parameter DI_4_Debounce, 237, 535
- parameter DI_5_Debounce, 237, 535
- parameter DPL_Activate, 535
- parameter DPL_dmControl, 535
- parameter DPL_intLim, 403, 536
- parameter DPL_RefA16, 536
- parameter DPL_RefA32, 536
- parameter DPL_RefB32, 536
- parameter DplParChCheckDataTyp, 536
- parameter DS402compatib, 537
- parameter DS402intLim, 404, 537
- parameter DSM_ShutDownOption, 263, 537
- parameter DVNaddress, 537
- parameter DVNbaud, 537
- parameter DVNbuspower, 537
- parameter DVNioDataIn, 538
- parameter DVNioDataOut, 538
- parameter ECAT2ndaddress, 538
- parameter ENC_abs_source, 538
- parameter ENC_ModeOfMaEnc, 538
- parameter ENC1_adjustment, 172, 539
- parameter ENC2_adjustment, 173, 539
- parameter ENC2_type, 540
- parameter ENC2_usage, 540
- parameter ENCAnaPowSupply, 540
- parameter ENCDigABIMaxFreq, 540
- parameter ENCDigABImaxlx, 541
- parameter ENCDigBISSCoding, 541
- parameter ENCDigBISSResMul, 541
- parameter ENCDigBISSResSgl, 541
- parameter ENCDigLinBitsUsed, 541
- parameter ENCDigPowSupply, 542
- parameter ENCDigResMulUsed, 542
- parameter ENCDigSSICoding, 542
- parameter ENCDigSSILinAdd, 542
- parameter ENCDigSSILinRes, 542
- parameter ENCDigSSIMaxFreq, 542
- parameter ENCDigSSIResMult, 543
- parameter ENCDigSSIResSgl, 543
- parameter ENCSinCosMaxlx, 543
- parameter ERR_clear, 433, 543
- parameter ERR_reset, 433, 543
- parameter ErrorResp_bit_DE, 543
- parameter ErrorResp_bit_ME, 544
- parameter ErrorResp_Flt_AC, 410, 544
- parameter ErrorResp_I2tRES, 544
- parameter ErrorResp_p_dif, 382, 544
- parameter ErrorResp_PDifEncM, 544
- parameter ErrorResp_QuasiAbs, 544
- parameter ErrorResp_v_dif, 384, 544
- parameter ErrResp_HeartB_LifeG, 545
- parameter ESIM_HighResolution, 241, 545
- parameter ESIM_PhaseShift, 241, 545
- parameter ESIM_scale, 240, 545
- parameter eSM_BaseSetting, 545
- parameter eSM_dec_NC, 545
- parameter eSM_dec_Qstop, 546

- parameter eSM_disable, 546
parameter eSM_FuncAUXOUT1, 546
parameter eSM_FuncAUXOUT2, 547
parameter eSM_FuncSwitches, 547
parameter eSM_LO_mask, 547
parameter eSM_SLSnegDirS, 547
parameter eSM_t_NCDel, 548
parameter eSM_t_Relay, 548
parameter eSM_v_maxAuto, 548
parameter eSM_v_maxSetup, 548
parameter EthIPgate1, 548
parameter EthIPgate2, 548
parameter EthIPgate3, 548
parameter EthIPgate4, 549
parameter EthIPmask1, 549
parameter EthIPmask2, 549
parameter EthIPmask3, 549
parameter EthIPmask4, 549
parameter EthIPmaster1, 549
parameter EthIPmaster2, 549
parameter EthIPmaster3, 550
parameter EthIPmaster4, 550
parameter EthIpMode, 550
parameter EthIPmodule1, 550
parameter EthIPmodule2, 550
parameter EthIPmodule3, 550
parameter EthIPmodule4, 550
parameter EthMblPswap1, 551
parameter EthMblPswap2, 551
parameter EthMblPswap3, 551
parameter EthMblPswap4, 551
parameter EthMbScanner, 551
parameter EthMbScanTimeout, 551
parameter EthMode, 552
parameter EthOptMapInp1, 552
parameter EthOptMapInp2, 552
parameter EthOptMapInp3, 552
parameter EthOptMapOut1, 552
parameter EthOptMapOut2, 552
parameter EthOptMapOut3, 553
parameter EthRateSet, 553
parameter GEARdenom, 286, 553
parameter GEARdenom2, 287, 553
parameter GEARdir_enabl, 289, 553
parameter GEARjerklim, 350, 553
parameter GEARnum, 286, 553
parameter GEARnum2, 287, 553
parameter GEARpos_v_max, 289, 554
parameter GEARposChgMode, 288, 554
parameter GEARratio, 286, 554
parameter GEARreference, 287, 554
parameter GEARselect, 286, 554
parameter HMdis, 324, 554
parameter HMIDispPara, 555
parameter HMlocked, 201, 555
parameter HMmethod, 324, 555
parameter HMoutdis, 325, 555
parameter HMP_home, 325, 556
parameter HMP_setP, 331, 556
parameter HMPrefmethod, 324, 556
parameter HMsrchdis, 325, 556
parameter HMv, 326, 556
parameter HMv_out, 326, 556
parameter InvertDirOfCount, 239, 556
parameter InvertDirOfMaEnc, 557
parameter InvertDirOfMove, 170, 557
parameter IO_AutoEnable, 557
parameter IO_AutoEnaConfig, 557
parameter IO_DQ_set, 360, 557
parameter IO_FaultResOnEnalnp, 268, 557
parameter IO_GEARmethod, 557
parameter IO_l_limit, 358, 558
parameter IO_JOGmethod, 278, 558
parameter IO_ModeSwitch, 271, 558
parameter IO_PTtq_reference, 296, 558
parameter IO_v_limit, 356, 558
parameter IOdefaultMode, 270, 558
parameter IOfuncnt_DI0, 225, 559
parameter IOfuncnt_DI1, 226, 560
parameter IOfuncnt_DI2, 227, 561
parameter IOfuncnt_DI3, 228, 562
parameter IOfuncnt_DI4, 229, 563
parameter IOfuncnt_DI5, 230, 564
parameter IOfuncnt_DQ0, 233, 565
parameter IOfuncnt_DQ1, 234, 566
parameter IOfuncnt_DQ2, 235, 567
parameter IOM1_AI11_l_max, 358, 567
parameter IOM1_AI11_M_scale, 297, 567
parameter IOM1_AI11_mode, 296, 305, 355, 357, 568
parameter IOM1_AI11_offset, 568
parameter IOM1_AI11_Tau, 568
parameter IOM1_AI11_v_max, 356, 568
parameter IOM1_AI11_v_scale, 306, 568
parameter IOM1_AI11_win, 568
parameter IOM1_AI12_l_max, 358, 569
parameter IOM1_AI12_M_scale, 297, 569
parameter IOM1_AI12_mode, 297, 305, 355, 357, 569
parameter IOM1_AI12_offset, 569
parameter IOM1_AI12_Tau, 569
parameter IOM1_AI12_v_max, 356, 569
parameter IOM1_AI12_v_scale, 306, 570
parameter IOM1_AI12_win, 570
parameter IOM1_AQ_ErrResp, 570
parameter IOM1_AQ_mode, 570
parameter IOM1_AQ11_FixVal, 570
parameter IOM1_AQ11_func, 571
parameter IOM1_AQ11_l_range, 571
parameter IOM1_AQ11_invert, 571
parameter IOM1_AQ12_FixVal, 571
parameter IOM1_AQ12_func, 572
parameter IOM1_AQ12_l_range, 572
parameter IOM1_AQ12_invert, 572
parameter IOM1_DI_10_Deb, 572
parameter IOM1_DI_11_Deb, 572
parameter IOM1_DI_12_Deb, 573
parameter IOM1_DI_13_Deb, 573
parameter IOM1_DQ_set, 573
parameter IOM1_IOfuncnt_DI10, 574
parameter IOM1_IOfuncnt_DI11, 575
parameter IOM1_IOfuncnt_DI12, 576
parameter IOM1_IOfuncnt_DI13, 577
parameter IOM1_IOfuncnt_DQ10, 578
parameter IOM1_IOfuncnt_DQ11, 579
parameter IOSigCurrLim, 358, 579
parameter IOSigLIMN, 377, 579
parameter IOSigLIMP, 377, 580
parameter IOSigREF, 378, 580
parameter IOSigRespOfPS, 580
parameter IOSigVelLim, 356, 580
parameter IP_IntTimInd, 318, 580

parameter IP_IntTimPerVal, 318, 580
parameter IPp_target, 319, 580
parameter Iref_PTIFreqMax, 298, 580
parameter JOGactivate, 581
parameter JOGmethod, 278, 581
parameter JOGstep, 279, 581
parameter JOGtime, 279, 581
parameter JOGv_fast, 278, 581
parameter JOGv_slow, 278, 581
parameter LIM_HaltReaction, 351, 581
parameter LIM_I_maxHalt, 161, 351, 582
parameter LIM_I_maxQSTP, 160, 353, 582
parameter LIM_QStopReact, 352, 582
parameter Mains_reactor, 582
parameter MBaddress, 583
parameter MBbaud, 583
parameter MBnode_guard, 583
parameter MOD_AbsDirection, 211, 583
parameter MOD_AbsMultiRng, 211, 583
parameter MOD_Enable, 210, 583
parameter MOD_Max, 211, 583
parameter MOD_Min, 210, 584
parameter MON_ChkTime, 396, 398, 399, 401, 584
parameter MON_commutat, 409, 584
parameter MON_ConfModification, 584
parameter MON_DCbusVdcThresh, 584
parameter MON_ENC_Ampl, 585
parameter MON_GroundFault, 412, 585
parameter MON_HW_Limits, 585
parameter MON_I_Threshold, 400, 585
parameter MON_IO_SelErr1, 424, 585
parameter MON_IO_SelErr2, 424, 585
parameter MON_IO_SelWar1, 424, 586
parameter MON_IO_SelWar2, 424, 586
parameter MON_MainsVolt, 411, 586
parameter MON_p_dif_load, 586
parameter MON_p_dif_load_usr, 382, 586
parameter MON_p_dif_warn, 382, 587
parameter MON_p_DiffWin, 587
parameter MON_p_DiffWin_usr, 396, 587
parameter MON_p_win, 389, 587
parameter MON_p_win_usr, 388, 587
parameter MON_p_winTime, 389, 587
parameter MON_p_winTout, 389, 588
parameter MON_SW_Limits, 380, 588
parameter MON_SWLimMode, 379, 588
parameter MON_swLimN, 380, 588
parameter MON_swLimP, 380, 588
parameter MON_tq_win, 386, 588
parameter MON_tq_winTime, 386, 588
parameter MON_v_DiffWin, 398, 589
parameter MON_v_Threshold, 399, 589
parameter MON_v_win, 387, 589
parameter MON_v_winTime, 387, 589
parameter MON_v_zeroclamp, 359, 589
parameter MON_VelDiff, 383, 589
parameter MON_VelDiff_Time, 383, 589
parameter MON_VelDiffOpSt578, 590
parameter MSM_AddtlSettings, 590
parameter MSM_CondSequ, 336, 590
parameter MSM_datasetnum, 590
parameter MSM_DebDigInNum, 590
parameter MSM_ds_logopera, 590
parameter MSM_ds_setA, 591
parameter MSM_ds_setB, 591
parameter MSM_ds_setC, 591
parameter MSM_ds_setD, 591
parameter MSM_ds_sub_ds, 592
parameter MSM_ds_trancon1, 592
parameter MSM_ds_trancon2, 592
parameter MSM_ds_transiti, 592
parameter MSM_ds_tranval1, 592
parameter MSM_ds_tranval2, 593
parameter MSM_ds_type, 593
parameter MSM_start_ds, 593
parameter MSMendNumSequence, 337, 593
parameter MSMstartSignal, 338, 593
parameter MT_dismax, 593
parameter MT_dismax_usr, 594
parameter OFS_PosActivate, 288, 594
parameter OFS_Ramp, 289, 594
parameter OFSp_abs, 594
parameter OFSp_rel, 594
parameter OFSp_RelPos1, 288, 594
parameter OFSp_RelPos2, 288, 594
parameter OFSp_SetPos, 595
parameter OFSv_target, 289, 595
parameter p_MaxDifToENC2, 595
parameter p_PTI_act_set, 239, 595
parameter PAR_CTRLreset, 595
parameter PAR_ScalingStart, 595
parameter PAReepSave, 596
parameter PARUserReset, 197, 596
parameter PAddress, 596
parameter PDOmask, 596
parameter PntIPAddress1, 596
parameter PntIPAddress2, 597
parameter PntIPAddress3, 597
parameter PntIPAddress4, 597
parameter PntIPgate1, 597
parameter PntIPgate2, 597
parameter PntIPgate3, 597
parameter PntIPgate4, 597
parameter PntIPmask1, 598
parameter PntIPmask2, 598
parameter PntIPmask3, 598
parameter PntIPmask4, 598
parameter PntIpMode, 598
parameter PosReg1Mode, 392, 598
parameter PosReg1Source, 392, 598
parameter PosReg1Start, 391, 599
parameter PosReg1ValueA, 394, 599
parameter PosReg1ValueB, 394, 599
parameter PosReg2Mode, 393, 599
parameter PosReg2Source, 392, 599
parameter PosReg2Start, 391, 599
parameter PosReg2ValueA, 394, 599
parameter PosReg2ValueB, 394, 600
parameter PosReg3Mode, 393, 600
parameter PosReg3Source, 392, 600
parameter PosReg3Start, 391, 600
parameter PosReg3ValueA, 394, 600
parameter PosReg3ValueB, 394, 600
parameter PosReg4Mode, 393, 601
parameter PosReg4Source, 392, 601
parameter PosReg4Start, 391, 601
parameter PosReg4ValueA, 394, 601
parameter PosReg4ValueB, 394, 601
parameter PosRegGroupStart, 391, 602
parameter PP_ModeRangeLim, 205, 602

parameter PP_OpmChgType, 271, 602
 parameter PPOption, 312, 602
 parameter PPp_target, 311, 602
 parameter PPv_target, 311, 602
 parameter PTI_pulse_filter, 603
 parameter PTI_signal_type, 239, 603
 parameter PTO_mode, 240, 603
 parameter PTtq_reference, 296, 603
 parameter PTtq_target, 298, 603
 parameter PVv_reference, 306, 604
 parameter PVv_target, 306, 604
 parameter PWM_fChop, 258, 604
 parameter RAMP_tq_enable, 298, 604
 parameter RAMP_tq_slope, 298, 604
 parameter RAMP_v_acc, 348, 604
 parameter RAMP_v_dec, 348, 605
 parameter RAMP_v_enable, 347, 605
 parameter RAMP_v_jerk, 349, 605
 parameter RAMP_v_max, 348, 605
 parameter RAMP_v_sym, 605
 parameter RAMPaccdec, 606
 parameter RAMPquickstop, 352, 606
 parameter RESext_P, 175, 606
 parameter RESext_R, 176, 606
 parameter RESext_ton, 176, 606
 parameter RESint_ext, 175, 606
 parameter ResolENC2, 607
 parameter ResolENC2Denom, 607
 parameter ResolENC2Num, 607
 parameter ResWriComNotOpEn, 607
 parameter RMAC_Activate, 372, 607
 parameter RMAC_Edge, 373, 608
 parameter RMAC_Position, 372, 608
 parameter RMAC_Response, 373, 608
 parameter RMAC_Velocity, 373, 608
 parameter ScalePOSdenom, 218, 608
 parameter ScalePOSnum, 218, 608
 parameter ScaleRAMPdenom, 220, 608
 parameter ScaleRAMPnum, 220, 609
 parameter ScaleVELdenom, 219, 609
 parameter ScaleVELnum, 219, 609
 parameter ShiftEncWorkRang, 174, 609
 parameter SimAbsolutePos, 610
 parameter SyncMechStart, 317, 610
 parameter SyncMechStatus, 317, 610
 parameter SyncMechTol, 317, 610
 parameter TouchProbeFct, 368, 610
 parameter UsrAppDataMem1, 611
 parameter UsrAppDataMem2, 611
 parameter WakesAndShakeGain, 611
 pollution degree and degree of protection, 26
 powering on the device, 159
 PWM frequency power stage, 31

Q

qualification of personnel, 9

R

replacing the product, 638
 representation of the parameters, 472
 restoring factory settings, 198

S

sampling period, 244, 245, 246
 scaling factor, 217
 service addresses, 636
 setting limit values, 160
 shipping, 640
 state transitions, 262
 storage, 640

T

type code, 23

U

user-defined units, 217
 usr_a, 217
 usr_p, 217
 usr_v, 217