



### Main

|                           |                     |
|---------------------------|---------------------|
| Range of product          | Harmony 9001K       |
| Product or component type | Selector switch     |
| Device short name         | K                   |
| Type of operator          | maintained          |
| Operator profile          | Black standard knob |

### Complementary

|                               |                       |
|-------------------------------|-----------------------|
| Bezel material                | Chromium plated metal |
| Mounting diameter             | 1.18 in (30 mm)       |
| Operator position information | 2 positions           |
| Contacts type and composition | Without contact block |
| Device presentation           | Basic element         |

### Environment

|                           |   |
|---------------------------|---|
| NEMA degree of protection | NEMA 1/2/3/3R/4/6/12/13   |
| Product certifications    | UL listed file E42259 CCN NKCR<br>CE<br>CSA LR24590 class 3211 03 |

### Ordering and shipping details

|                       |                               |
|-----------------------|-------------------------------|
| Category              | 21426 - 9001 K (NOT KA,KM,KX) |
| Discount Schedule     | CS1                           |
| GTIN                  | 00785901322832                |
| Nbr. of units in pkg. | 1                             |
| Package weight(Lbs)   | 0.27 lb(US) (0.12 kg)         |
| Returnability         | Yes                           |
| Country of origin     | MX                            |

### Packing Units

|                              |                        |
|------------------------------|------------------------|
| Unit Type of Package 1       | PCE                    |
| Package 1 Height             | 2.00 in (5.08 cm)      |
| Package 1 width              | 2.30 in (5.842 cm)     |
| Package 1 Length             | 2.80 in (7.112 cm)     |
| Unit Type of Package 2       | S01                    |
| Number of Units in Package 2 | 24                     |
| Package 2 Weight             | 7.16 lb(US) (3.249 kg) |
| Package 2 Height             | 5.91 in (15 cm)        |
| Package 2 width              | 5.91 in (15 cm)        |
| Package 2 Length             | 15.75 in (40 cm)       |
| Unit Type of Package 3       | PAL                    |

|                              |                            |
|------------------------------|----------------------------|
| Number of Units in Package 3 | 1800                       |
| Package 3 Weight             | 497.00 lb(US) (225.435 kg) |
| Package 3 Height             | 40.00 in (101.6 cm)        |
| Package 3 width              | 40.00 in (101.6 cm)        |
| Package 3 Length             | 48.00 in (121.92 cm)       |

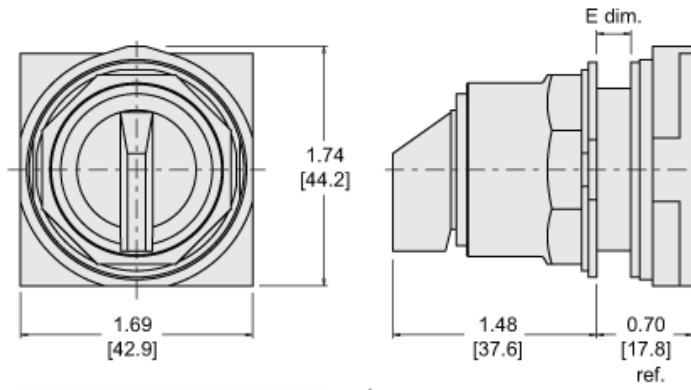
## Offer Sustainability

|                            |  |
|----------------------------|--|
| Sustainable offer status   | Green Premium product  |
| California proposition 65  | WARNING: This product can expose you to chemicals including: Nickel compounds, which is known to the State of California to cause cancer, and Di-isodecyl phthalate (DIDP), which is known to the State of California to cause birth defects or other reproductive harm. For more information go to <a href="http://www.P65Warnings.ca.gov">www.P65Warnings.ca.gov</a> |
| EU RoHS Directive          | Pro-active compliance (Product out of EU RoHS legal scope) <a href="#">EU RoHS Declaration</a>   |
| Mercury free               | Yes  |
| RoHS exemption information | <a href="#">Yes</a>  |
| China RoHS Regulation      | <a href="#">China RoHS Declaration</a>   |
| Environmental Disclosure   | <a href="#">Product Environmental Profile</a>  |
| WEEE                       | The product must be disposed on European Union markets following specific waste collection and never end up in rubbish bins.   |

## Contractual warranty

|          |           |
|----------|-----------|
| Warranty | 18 months |
|----------|-----------|

Approximate Dimensions



| Panel Thickness<br>E dim.<br>in. [mm] | Number<br>of<br>Gasket |
|---------------------------------------|------------------------|
| 1/16 [1.6]                            | 4                      |
| 1/8 (3.2)                             | 3                      |
| 3/16 (4.8)                            | 2                      |
| 1/4 (6.4)                             | 1                      |

in.  
[mm]