



Main

| | |
|---------------------------|-----------------------------------|
| Range of product | Lexium 28 |
| Product or component type | Motion servo drive |
| Device short name | LXM28A |
| Format of the drive | Compact housing |
| Line current | 11.8 A 155.8 % 220 V, three phase |

Complementary

| | |
|---------------------------|------------------------------------------------------------------------------------------------------------------------------------------------------------------------------------------------------------------------------|
| Phase | Three phase |
| [Us] rated supply voltage | 220 V (- 10...15 %) for three phase |
| Supply voltage limits | 200...255 V three phase |
| Supply frequency | 50/60 Hz - 5...5 % |
| Network frequency | 47.5...63 Hz |
| EMC filter | Without EMC filter |
| Continuous output current | 19.8 A 8 kHz |
| Output current 3s peak | 60 A 220 V |
| Continuous power | 3000 W 220 V |
| Nominal power | 3 kW 220 V 8 kHz |
| Switching frequency | 8 kHz |
| Overvoltage category | III |
| Maximum leakage current | 1.6 mA |
| Output voltage | <= power supply voltage |
| Electrical isolation | Between power and control |
| Type of cable | Shielded motor cable 32...131 °F (0...55 °C)) copper |
| Electrical connection | Spring terminal 6 mm ² , AWG 10 L1-L2) Spring terminal 6 mm ² , AWG 10 R, S, T) Spring terminal 6 mm ² , AWG 10 U, V, W, PE) Spring terminal 6 mm ² , AWG 10 PA/+, PBe) |
| Discrete input number | 8 programmable CN1) 1 pulse train input (PTI) CN1) 2 fast capture CN1) 1 safety function STO CN9) |
| Discrete input voltage | 24 V DC logic |
| Discrete input logic | Positive or negative (CN1) |
| Discrete output number | 5 logic output CN1)12...24 V DC 1 pulse train output (PTO) CN1) |
| Discrete output voltage | 12...24 V DC |
| Discrete output logic | Positive or negative (CN1) |
| Analogue input number | 2 |
| Absolute accuracy error | 0.1 % |
| Analogue input type | V_REF voltage analog input - 10...10 V 10 kOhm 14 bits T_REF voltage analog input |
| Control signal type | Servo motor encoder feedback CN2 |

| | |
|--------------------------|------------------------------------------------------------------------------------------------------------------------------------------------------------------------------------------------------------------------------------------------------------------------------------------------------------------------------|
| Protection type | Against reverse polarity inputs signal Against short-circuits outputs signal Overcurrent: motor Overvoltage motor Undervoltage: motor Overheating: motor Overload: motor Overspeed: motor |
| Safety function | STO (safe torque off), Integrated |
| Safety level | SIL 2 conforming to IEC 61800-5-2: 2007 SIL 2 conforming to IEC 61508-1: 2010 PL d/category 3 conforming to EN/ISO 13849-1: 2008 SIL 2 conforming to EN/ISO 13849-1: 2009/AC SIL 2 conforming to EN 60204-1: 2006 SIL 2 conforming to EN 60204-1: 2009/A1 SIL 2 EN 60204-1 2010/AC SIL 2 IEC 62061 2012 |
| Communication interface | CANopen, Integrated CANmotion, Integrated |
| Connector type | RJ45 CN4)CANopen, CANmotion |
| Method of access | Slave |
| Transmission rate | 250 kbit/s 328.08...820.21 ft (100...250 m) CANopen, CANmotion 500 kbit/s 13.12...328.08 ft (4...100 m) CANopen, CANmotion 1 Mbit/s 13.12 ft (4 m) CANopen, CANmotion |
| Number of addresses | 1...127 CANopen, CANmotion |
| Physical interface | RS485 for Modbus Serial line slave |
| Status LED | Charge 1 LED Red) RUN 1 LED Green) Error 1 LED Red) |
| Signalling function | Servo status and fault codes five 7-segment display units |
| Marking | CSA CE CULus |
| Type of cooling | Integrated fan |
| Operating position | Vertical |
| Product compatibility | Servo motor BCH2 7.09 in (180 mm), 2 3000 W |
| Width | 4.57 in (116 mm) |
| Height | 9.21 in (234 mm) |
| Depth | 7.32 in (186 mm) |
| Net Weight | 7.05 lb(US) (3.2 kg) |
| Output current 3s peak 2 | 60 A 220 V |
| Output current 3s peak 3 | 60 A 220 V |

Environment

| | |
|---------------------------------------|--------------------------------------------------------------------------|
| Electromagnetic compatibility | Conducted emission level 3category C3 EN/IEC 61800-3 |
| Standards | EN/IEC 61800-5-1 |
| Product certifications | CSA CULus CE |
| IP degree of protection | IP20 |
| Vibration resistance | 3M4 3 mm 9...200 Hz)IEC 60721-3-3 |
| Shock resistance | 10 gn, type I conforming to IEC 60721-3-3 |
| Relative humidity | 5...95 % without condensation |
| Ambient air temperature for operation | 32...131 °F (0...55 °C) |
| Ambient air temperature for storage | -13...149 °F (-25...65 °C) |
| Operating altitude | <= 3280.84 ft (1000 m) without derating > 1000...2000 m 1 % per 100 m |

Ordering and shipping details

| | |
|-----------------------|-----------------------------------|
| Category | 18262 - LEXIUM 23/28 SERVO DRIVES |
| Discount Schedule | PC51 |
| GTIN | 00785901980513 |
| Nbr. of units in pkg. | 1 |
| Package weight(Lbs) | 8.82 lb(US) (4.00 kg) |
| Returnability | No |
| Country of origin | CN |

Packing Units

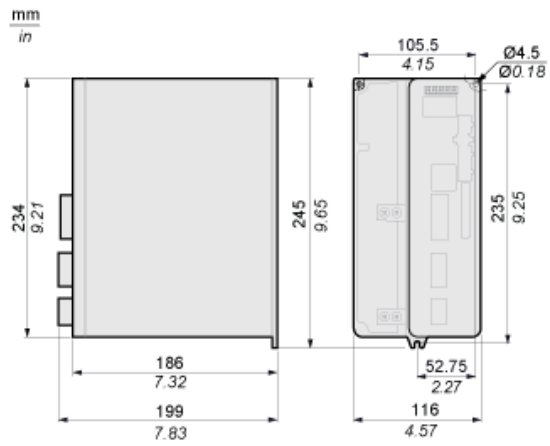
| | |
|------------------|-----------------------|
| Package 1 Height | 7.72 in (196.000 mm) |
| Package 1 width | 10.16 in (258.000 mm) |
| Package 1 Length | 13.66 in (347.000 mm) |

Offer Sustainability

| | |
|----------------------------|---------------------------------------------------------------------------------------------------------------------------------------------------------------------------------------------------------------------------------------------------------------------------------------------|
| Sustainable offer status | Green Premium product |
| California proposition 65 | WARNING: This product can expose you to chemicals including: Lead and lead compounds, which is known to the State of California to cause cancer and birth defects or other reproductive harm. For more information go to www.P65Warnings.ca.gov |
| REACH free of SVHC | Yes |
| EU RoHS Directive | Pro-active compliance (Product out of EU RoHS legal scope) EU RoHS Declaration |
| Mercury free | Yes |
| RoHS exemption information | Yes |
| China RoHS Regulation | China RoHS Declaration |
| Environmental Disclosure | Product Environmental Profile |
| Circularity Profile | End Of Life Information |
| WEEE | The product must be disposed on European Union markets following specific waste collection and never end up in rubbish bins. |
| PVC free | Yes |

Dimensions

Dimensions of Drive



Mounting Clearance

Mounting Distances and Air Circulation

mm
in.

