

# H365NR

Safety switch, heavy duty, fusible, 400A, 3 poles, 250 hp, 600 VAC/DC, NEMA 3R, neutral factory installed



## Main

Product	Single Throw Safety Switch
Current Rating	400 A
Number of Poles	3
Voltage Rating	600 V AC/DC
Disconnect Type	Fusible disconnect
Short Circuit Current Rating	10 KA H or K 200 kA R, J or L
Mounting Type	Surface
Factory Installed Neutral	Neutral (factory installed)
Electrical Connection	Lugs
Duty Rating	Heavy duty
Certifications	UL listed file E2875
Enclosure Rating	NEMA 3R galvanized steel
Wire Size	AWG 1/0...750 kcmil copper or aluminium

## Complementary

Maximum Horse Power Rating	100 Hp 480 V AC 50...60 Hz 3 phase NEC 240.6 250 Hp 480 V AC 50...60 Hz 3 phase NEC 430.52 125 Hp 600 V AC 50...60 Hz 3 phase NEC 240.6 350 Hp 600 V AC 50...60 Hz 3 phase NEC 430.52 50 Hp 250 V DC 50 hp 600 V DC
Tightening torque	550 lbf.in (62.14 N.m) AWG 1/0...750 kcmil)
Width	27.88 in (708.15 mm)
Height	50.31 in (1277.87 mm)
Depth	10.13 in (257.30 mm)

## Ordering and shipping details

Category	00054 - H&HU SW,NEMA3R,400-1200A
Discount Schedule	DE1
GTIN	00785901026686
Nbr. of units in pkg.	1
Package weight(Lbs)	186 lb(US) (84.37 kg)
Returnability	Yes
Country of origin	MX

## Packing Units

Unit Type of Package 1	PCE
Package 1 Height	14.02 in (35.6 cm)
Package 1 width	28.31 in (71.9 cm)
Package 1 Length	51.50 in (130.8 cm)

The information provided in this documentation contains general descriptions and/or technical characteristics of the performance of the products contained herein. This documentation is not intended as a substitute for and is not to be used for determining suitability or reliability of these products for specific user applications. It is the duty of any such user or integrator to perform the appropriate and complete risk analysis, evaluation and testing of the products with respect to the relevant specific application or use thereof. Neither Schneider Electric Industries SAS nor any of its affiliates or subsidiaries shall be responsible or liable for misuse of the information contained herein.

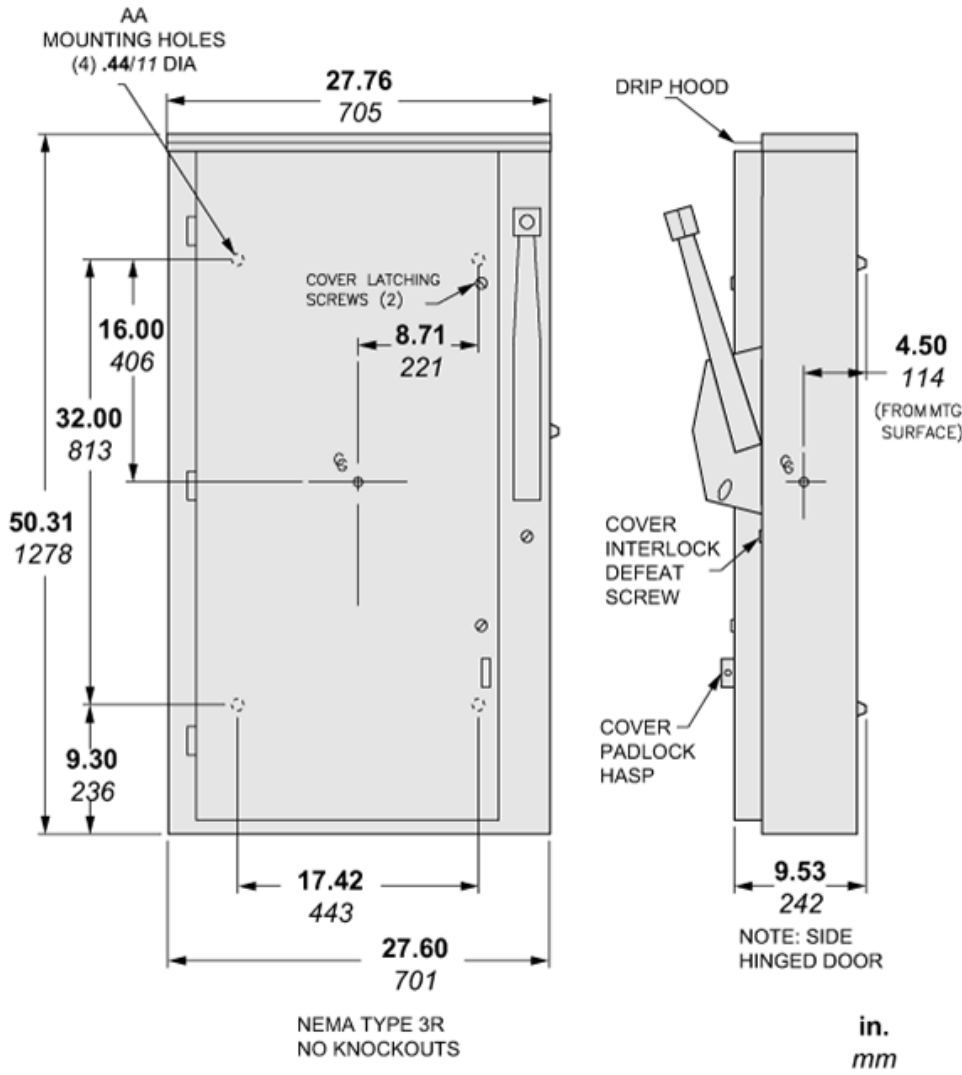
## Offer Sustainability

Sustainable offer status	Green Premium product
California proposition 65	WARNING: This product can expose you to chemicals including: Lead and lead compounds, which is known to the State of California to cause cancer and birth defects or other reproductive harm. For more information go to <a href="http://www.P65Warnings.ca.gov">www.P65Warnings.ca.gov</a>
REACH Regulation	<a href="#">REACH Declaration</a>
REACH free of SVHC	Yes
EU RoHS Directive	Compliant <a href="#">EU RoHS Declaration</a>
Mercury free	Yes
RoHS exemption information	<a href="#">Yes</a>
China RoHS Regulation	<a href="#">China RoHS Declaration</a>
Environmental Disclosure	<a href="#">Product Environmental Profile</a>
PVC free	Yes
Halogen content performance	Halogen free plastic parts product

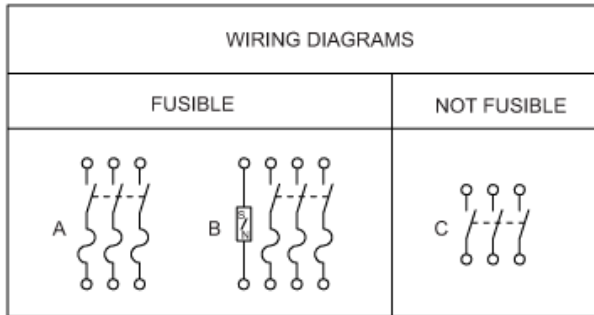
## Contractual warranty

Warranty	18 months
----------	-----------

Approximate Dimensions



## Wiring Diagrams



TERMINAL LUGS DATA			
AMPERE	MAX WIRE	MIN WIRE	TYPE
400	(1) 750 KCMIL OR (2) 300 KCMIL	(1) #1/0 AWG OR (2) #1/0 AWG	AL OR CU