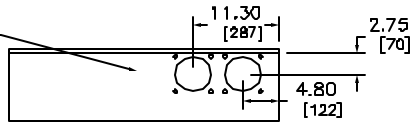


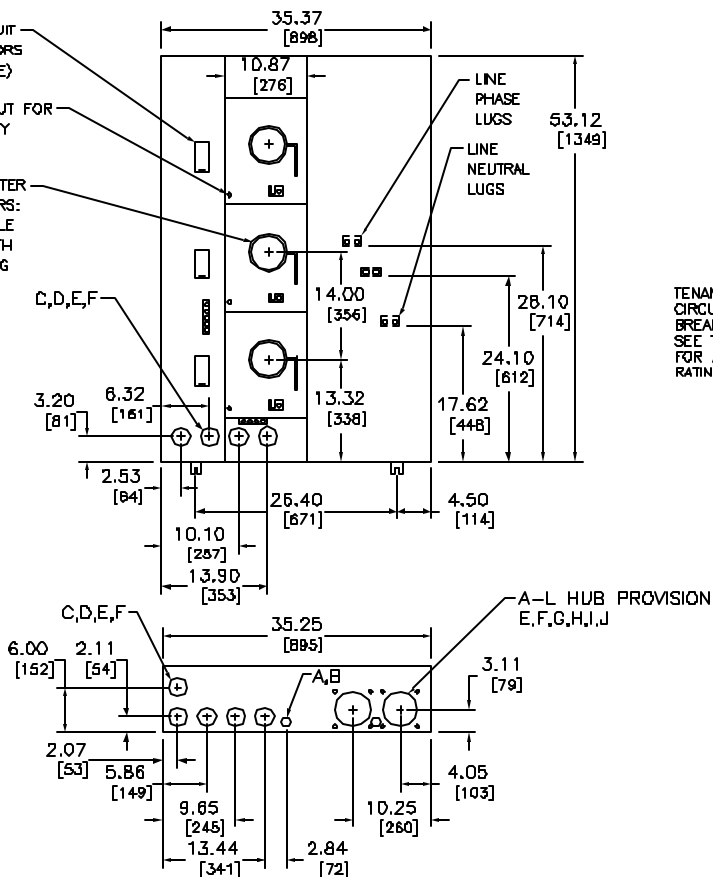
SUPPLIED WITH ACPL CLOSING PLATE
(FOR UNDERGROUND SERVICE),
ORDER TYPE A-L HUB SEPARATELY
(FOR OVERHEAD SERVICE)



TENANT CIRCUIT
BREAKER DOORS
(PADLOCKABLE)

COVER KNOCKOUT FOR
USE WITH UTILITY
BARREL LOCK

INDIVIDUAL METER
SOCKET COVERS:
RINGLESS STYLE
(SUPPLIED WITH
COVER SEALING
LATCHES)



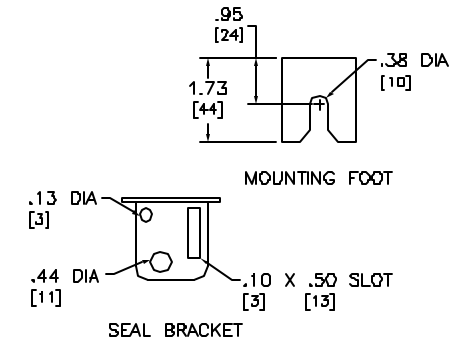
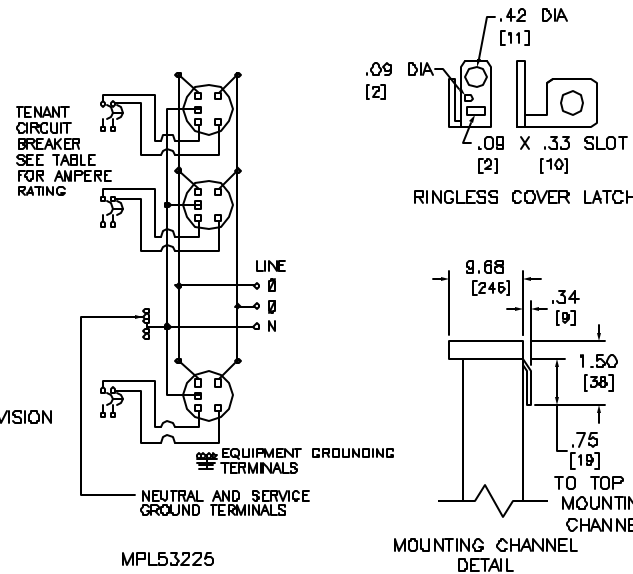
NOTES:
FINISH - UL COMPONENT RECOGNIZED GRAY BAKED POWDER COAT PAINT OVER CLEANED GALVANNEALED STEEL.
UL LISTED - FILE E-8294, SUITABLE ONLY FOR USE AS SERVICE EQUIPMENT. SUITABLE FOR OH/UG SERVICE.
■ LOAD PHASE LUGS ARE SUPPLIED AS A PART OF THE CIRCUIT BREAKER (TENANT SERVICE DISCONNECT).
▲ SHORT CIRCUIT CURRENT RATING OF METER CENTER IS EQUAL TO THE RATING OF THE LOWEST INSTALLED TENANT SERVICE DISCONNECT.
MECHANICAL LUGS FACTORY INSTALLED, LUG LANDING PADS AVAILABLE.
‡ FOR ADDITIONAL LUGS SEE WIRING DIAGRAM.
* SEE MARKINGS ON TENANT CIRCUIT BREAKER FOR WIRE SIZES, TEMPERATURE RATINGS AND TORQUE REQUIREMENTS.

TENANT SERVICE DISCONNECTS (ORDER ONE PER SOCKET POSITION)			
TENANT CIRCUIT BREAKER (2-POLE)	AMPERE RATINGS MIN. - MAX.	SHORT CIRCUIT RATING RMS SYMMETRICAL AMPERES MAX.	VOLTS MAX.
QO	40 - 125	10,000	120/240
QBP-TM	70 - 225	10,000	
QO-VH	40 - 60	22,000	
QBP-TM	70 - 225	25,000	
QOH	40 - 60	42,000	
QGP-TM	70 - 225	65,000	
QJP-TM	70 - 225	100,000	

◆ FOR QO TYPE CIRCUIT BREAKERS ADAPTER KIT CAT. NO. EZM12500A IS REQUIRED (ORDER SEPARATELY).

KNOCKOUTS		
SYMBOL	CONDUIT SIZE	
	IN	MM
A	.50	13
B	.75	19
C	1.00	25
D	1.25	32
E	1.50	38
F	2.00	51
G	2.50	64
H	3.00	76
I	3.50	89
J	4.00	102

ALTERNATE MECHANICAL LUGS	
WIRE SIZE	CATALOG NO.
(1) 1/0-600 AWG/KCMIL DR	MMLK250
(2) 1/0-250 PER PHASE	
(2) 3/0-500 AWG/KCMIL PER PHASE	MMLK500



DUAL DIMENSIONS: INCHES
MILLIMETERS

METER SOCKET COVER	NO. OF METER SOCKETS	NO. OF JAWS	FACTORY INSTALLED BYPASS	120/240VAC, 1Ø 3W DR 2ØBY/240VAC, 1Ø 3W FROM 3Ø 4W NETWORK		TENANT CIRCUIT BREAKER (ORDER SEPARATELY)	LOAD LUG WIRE SIZES (AWG-KCMIL)		
				MAIN BUS RATING	CATALOG NUMBER		LINE LUG WIRE SIZES (AWG/KCMIL) PHASE AND NEUTRAL	PHASE	NEUTRAL & SERVICE GROUND
RINGLESS	3	5	LEVER	500	MPL53225	2-POLE SEE TABLE ABOVE	SEE CIRCUIT BREAKER WIRE SIZE	#4-300	#14-2/0

MP METER-PAK METERING EQUIPMENT
NEMA TYPE 3R ENCLOSURE
225A MAXIMUM TENANT CIRCUIT BREAKER
SURFACE MOUNT ONLY



DWG# 3307
NO.