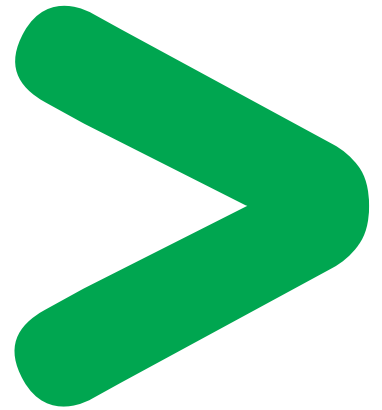


# Product End-of-Life Instructions

Quantum Automation Platform



## Product Range

QUANTUM CPU Double Size units

## Marketing Model

140CPU65150, 140CPU65160, 140CPU65160S, 140CPU65860, 140CPU67060, 140CPU67160, 140CPU67160S, 140CPU67260, 140CPU67261, 140CPU67861



### Size in mm:

H x L x D : 82 x 129 x 250

### Weight in g:

Between 1000 and 1500 without battery

Between 1030 and 1530 with batteries

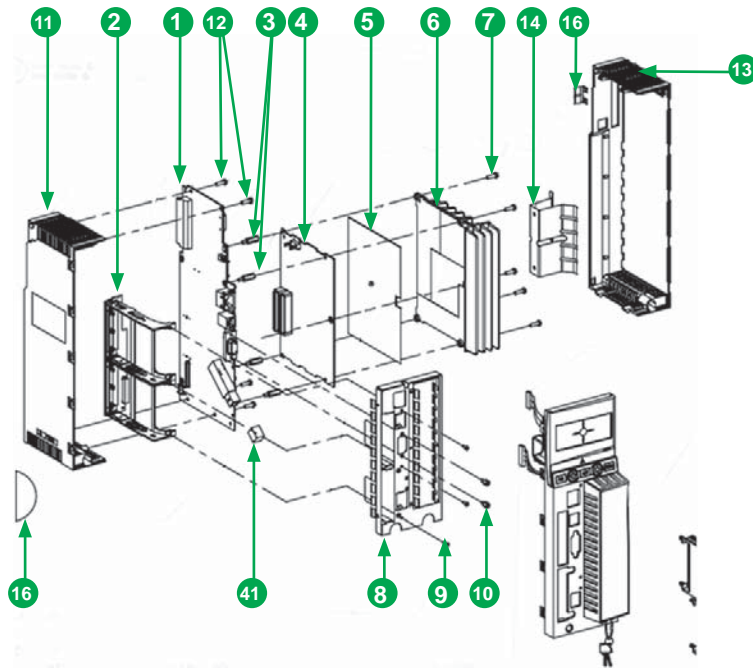
## Operations recommended for the end of life treatment

There are several steps to process the products at the end of life so as to recover components, materials or energy :

Reuse ⇒ Separation for special treatment ⇒ Other Dismantling ⇒ Shredding

The components of the products that optimize the recycling performances are listed, identified and located hereunder.

CAUTION: None.



Recommendation	Number on drawing	Components	Weight (g)	Comment
Special treatment		Battery	30	Remove battery
		LCD Display	50	Remove LCD
	1 and 4	PCBA	250	-
Other dismantling	11 and 13	Polycarbonate Plastic (PC)	250	Nickel Plating
	6	Aluminium	180	Valorisation

## Product Range

QUANTUM Power Supply

## Marketing Model

140CPS11420, 140CPS12400, 140CPS12420, 140CPS21100, 140CPS21400, 140CPS22400, 140CPS41400, 140CPS42400, 140CPS51100, 140CPS52400, 470IPS25800



### Size in mm:

H x L x D : 41 x 99 x 250

### Weight in g:

Between 300 and 600

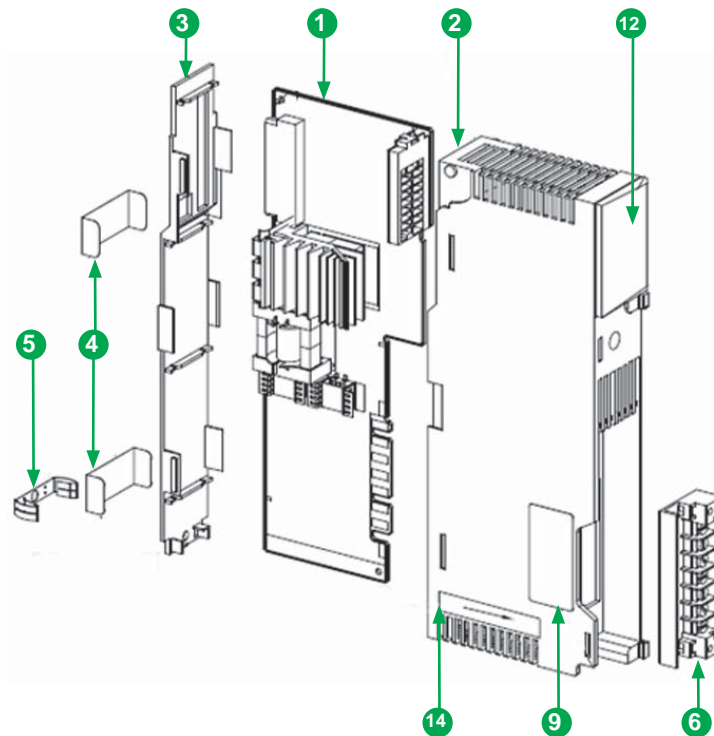
## Operations recommended for the end of life treatment

There are several steps to process the products at the end of life so as to recover components, materials or energy :

Reuse ⇒ Separation for special treatment ⇒ Other Dismantling ⇒ Shredding

The components of the products that optimize the recycling performances are listed, identified and located hereunder.

**CAUTION:** None.



Recommendation	Number on drawing	Components	Weight (g)	Comment
Special treatment	6	Terminal block (PBT)	60	Contains Brominated FR
	1	PCBA	200	-
Other dismantling	2	Polycarbonate Plastic (PC)	177	Valorisation

## Product Range

QUANTUM Single Slot CPU with battery

## Marketing Model

140CPU11302, 140CPU11303, 140CPU31110, 140CPU43412U, 140CPU53414, 140CPU53414A 140CPU53414B, 140CPU53414U



### Size in mm:

H x L x D : 41 x 99 x 250

### Weight in g:

Between 280 and 830

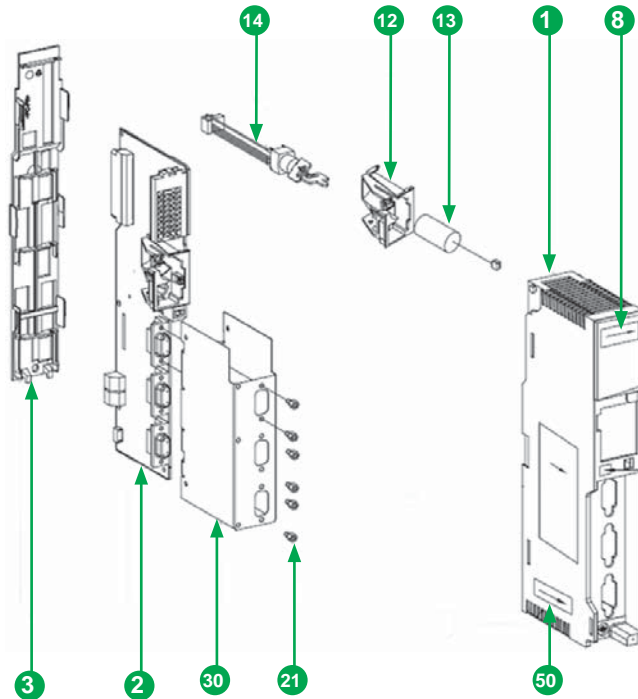
## Operations recommended for the end of life treatment

There are several steps to process the products at the end of life so as to recover components, materials or energy :

Reuse ⇒ Separation for special treatment ⇒ Other Dismantling ⇒ Shredding

The components of the products that optimize the recycling performances are listed, identified and located hereunder.

**CAUTION:** None.



Recommendation	Number on drawing	Components	Weight (g)	Comment
Special treatment	13	Battery	30	Remove battery
	2	PCBA	150	–
Other dismantling		Polycarbonate Plastic (PC)	177	Valorisation
	30	Stainless Steel	30	Valorisation

## Product Range

QUANTUM Single Slot Units without battery

## Marketing Model

140ACI03000, 140ACI04000, 140ACO02000, 140ACO13000, 140AMM09000, 140ARI03010, 140ATI03000, 140AVI03000, 140AVO02000, 140CHS11000, 140CHS21000, , 140CHS32000, 140CHS41010, 140CHS41020, 140CRA21110, 140CRA21120, 140CRA21210, 140CRA21220, 140CRA31200, 140CRA93100, 140CRA93101, 140CRA93200, 140CRP31200, 140CRP93100, 140CRP93200, 140DAI34000, 140DAI35300, 140DAI44000, 140DAI45300, 140DAI54000, 140DAI54300, 140DAI55300, 140DAI74000, 140DAI75300, 140DAM59000, 140DAO84000, 140DAO84010, 140DAO84210, 140DAO84220, 140DAO85300, 140DCF07700, 140DDI15310, 140DDI35310, 140DDI36400, 140DDI67300, 140DDI84100, 140DDI85300, 140DDM39000, 140DDM69000, 140DDO15310, 140DDO35300, 140DDO35301, 140DDO35310, 140DDO36400, 140DDO84300, 140DDO88500, 140DIO33000, 140DIO33000, 140DRA84000, 140DRC83000, 140DSI35300, 140DVO85300, 140EHC10500, 140EHC20200, 140EIA92100, 140ERT85410, 140ERT85420, 140ERT85430, 140ESI06200, 140ESI06210, 140HLI34000, 140MSB10100, 140MSC10100, 140NOA62200, 140NOC77100, 140NOC77101, 140NOC78000, 140NOC78100, 140NOE77101, 140NOE77111, 140NOG11100, 140NOM21100, 140NOM21200, 140NOM25200, 140NOP85000, 140NRP31200, 140NRP31201, 140NRP95400, 140NRP95401C, 140NWM10000, 140SAI94000S, 140SDI95300S, 140SDO95300S, 140XBE10000, 140XCP50000, 140XCP51000, 140XCP90000, 690MCB00000, ASBADU208, ASBALU252, ASBDEA202B, ASBDEA253, ASBMOT202, ASBMVB258A, ASBMVB259



### Size in mm:

H x L x D : 41 x 99 x 250

### Weight in g:

Between 250 and 800

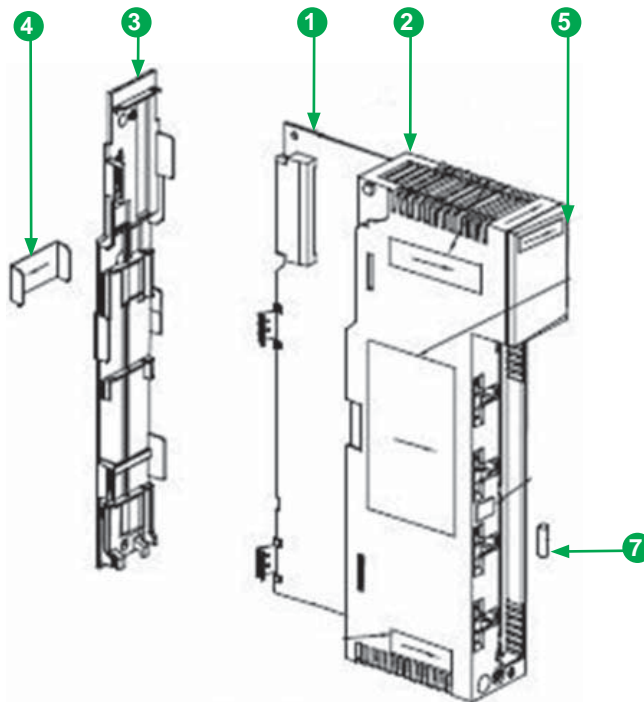
## Operations recommended for the end of life treatment

There are several steps to process the products at the end of life so as to recover components, materials or energy :

Reuse ⇒ Separation for special treatment ⇒ Other Dismantling ⇒ Shredding

The components of the products that optimize the recycling performances are listed, identified and located hereunder.

**CAUTION:** None.



Recommendation	Number on drawing	Components	Weight (g)	Comment
Special treatment	①	PCBA	150	–
Other dismantling	②	Polycarbonate Plastic (PC)	177	Valorisation

## Product Range

QUANTUM Backplanes

## Marketing Model

140XBP00200, 140XBP00300, 140XBP00400, 140XBP00600, 140XBP01600



### Size in mm:

H x L x D : 5 x 290 x 428

### Weight in g:

Between 500 and 2500

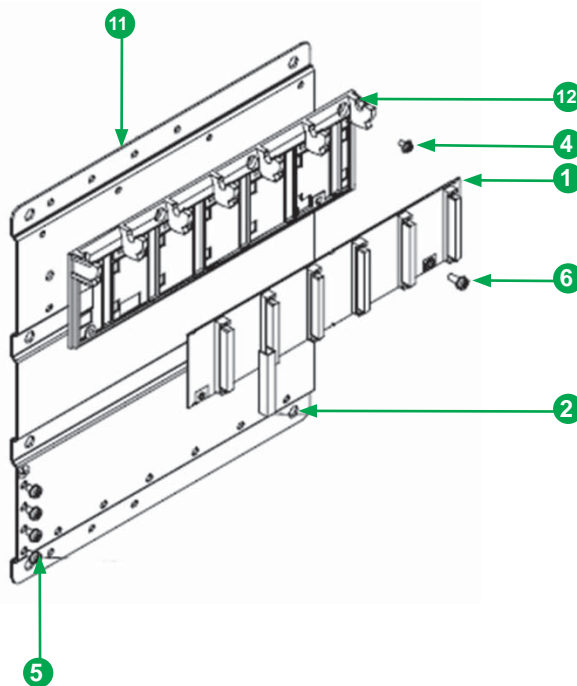
## Operations recommended for the end of life treatment

There are several steps to process the products at the end of life so as to recover components, materials or energy :

Reuse ⇨ Separation for special treatment ⇨ Other Dismantling ⇨ Shredding

The components of the products that optimize the recycling performances are listed, identified and located hereunder.

CAUTION: None.



Recommendation	Number on drawing	Components	Weight (g)	Comment
Depollution	1	PCBA	200	WEEE
Other dismantling	11	Stainless Steel	1500	Valorisation

**Schneider Electric Industries SAS**

35, rue Joseph Monier  
CS30323  
F - 92506 Rueil Malmaison Cedex

RCS Nanterre 954 503 439  
Capital social 896 313 776 €  
[www.schneider-electric.com](http://www.schneider-electric.com)

The version of the Guide used to create the document: End of Life Instruction Drafting Guide of Schneider Electric version V2.

Publication : Schneider Electric