



## Main

|                           |   |
|---------------------------|---|
| Range of product          | Zelio Time  |
| Product or component type | Modular timing relay  |
| Discrete output type      | Relay   |
| Maximum Width             | 0.69 in (17.5 mm)   |
| Device short name         | RE17R   |
| Time delay type           | C   |
| Time delay range          | 6...60 s<br>1...10 h<br>1...10 min<br>6...60 min<br>0.1...1 s<br>1...10 s<br>10...100 h |
| Nominal output current    | 8 A   |

## Complementary

|                                |  |
|--------------------------------|--|
| Contacts type and composition  | 1 C/O  |
| Contacts material              | Cadmium free   |
| Height                         | 3.54 in (90 mm)  |
| Depth                          | 2.83 in (72 mm)  |
| Control type                   | Selector switch front panel  |
| [Us] rated supply voltage      | 24...240 V AC 50/60 Hz<br>24 V DC  |
| Voltage range                  | 0.85...1.1 Us  |
| Supply frequency               | 50...60 Hz +/- 5 %   |
| Release of input voltage       | 10 V   |
| Connections - terminals        | Screw terminals, 1 x 0.5...1 x 3.3 mm <sup>2</sup> AWG 20...AWG 12) solid without cable end<br>Screw terminals, 2 x 0.5...2 x 2.5 mm <sup>2</sup> AWG 20...AWG 14) solid without cable end<br>Screw terminals, 1 x 0.2...1 x 2.5 mm <sup>2</sup> AWG 24...AWG 14) flexible with cable end<br>Screw terminals, 2 x 0.2...2 x 1.5 mm <sup>2</sup> AWG 24...AWG 16) flexible with cable end |
| Tightening torque              | 5.31...8.85 lbf.in (0.6...1 N.m) IEC 60947-1   |
| Housing material               | Self-extinguishing   |
| Repeat accuracy                | +/- 0.5 % IEC 61812-1  |
| Temperature drift              | +/- 0.05 %/°C  |
| Voltage drift                  | +/- 0.2 %/V  |
| Setting accuracy of time delay | +/- 10 % of full scale 25 °C IEC 61812-1   |
| Control signal pulse width     | 100 ms with load in parallel typical<br>30 ms typical  |
| Insulation resistance          | 100 MOhm 500 V DC IEC 60664-1  |
| Reset time                     | 120 ms on de-energisation typical  |
| On-load factor                 | 100 %  |
| Power consumption in VA        | 0...32 VA 240 V AC   |
| Maximum power consumption in W | 0.6 W 24 V DC  |
| Minimum switching current      | 10 mA 5 V DC   |
| Maximum switching current      | 8 A AC/DC  |
| Maximum switching voltage      | 250 V AC   |
| Breaking capacity              | 2000 VA  |

The information provided in this documentation contains general descriptions and/or technical characteristics of the performance of the products contained herein. This documentation is not intended as a substitute for and is not to be used for determining suitability or reliability of these products for specific user applications. It is the duty of any such user or integrator to perform the appropriate and complete risk analysis, evaluation and testing of the products with respect to the relevant specific application or use thereof. Neither Schneider Electric Industries SAS nor any of its affiliates or subsidiaries shall be responsible or liable for misuse of the information contained herein.

|  |   |
|--|---|
| Operating frequency                    | 10 Hz   |
| Electrical durability                  | 100000 cycles resistive 8 A 250 V AC  |
| Mechanical durability                  | 10000000 cycles   |
| Dielectric strength                    | 2.5 kV 1 mA/1 minute 50 Hz IEC 61812-1  |
| [Uimp] rated impulse withstand voltage | 5 kV 1.2/50 µs  |
| Power on delay                         | 100 ms  |
| Marking                                | CE  |
| Creepage distance                      | 4 kV/3 IEC 60664-1  |
| Safety reliability data                | B10d = 270000<br>MTTFd = 296.8 years  |
| Mounting position                      | Any position in relation to normal vertical mounting plane  |
| Mounting support                       | 35 mm DIN rail EN/IEC 60715   |
| Local signalling                       | LED indicator on steady: relay energised, no timing in progress<br>LED indicator 80 % ON and 20 % OFF flashing: timing in progress<br>LED indicator 5 % ON and 95 % OFF pulsing: relay de-energised, no timing in progress (except function Di-D, Li-L) |
| Net Weight                             | 0.15 lb(US) (0.07 kg)   |
| Time delay type                        | C   |
| Functionality                          | Off-delay timing  |
| Compatibility code                     | RE17  |

## Environment

|                                       |   |
|---------------------------------------|---|
| Immunity to microbreaks               | 20 ms   |
| Standards                             | EN 61000-6-4<br>EN 61000-6-2<br>EN 61000-6-3<br>2004/108/EC<br>2006/95/EC<br>IEC 61812-1<br>EN 61000-6-1  |
| Product certifications                | CULus<br>GL<br>CSA  |
| Ambient air temperature for storage   | -22...140 °F (-30...60 °C)  |
| Ambient air temperature for operation | -4...140 °F (-20...60 °C)   |
| IP degree of protection               | IP20 IEC 60529 terminal block)<br>IP40 IEC 60529 housing)<br>IP50 IEC 60529 front panel)  |
| Vibration resistance                  | 20 m/s² 10...150 Hz)IEC 60068-2-6   |
| Shock resistance                      | 15 gn 11 ms IEC 60068-2-27  |
| Relative humidity                     | 93 % without condensation IEC 60068-2-30  |
| Electromagnetic compatibility         | Electrostatic discharge immunity test 6 kV in contact) level 3 IEC 61000-4-2<br>Electrostatic discharge immunity test 8 kV in air) level 3 IEC 61000-4-2<br>Susceptibility to electromagnetic fields 10 V/m 80 MHz to 1 GHz) level 3 IEC 61000-4-3<br>Electrical fast transient/burst immunity test 1 kV capacitive connecting clip) level 3 IEC 61000-4-4<br>Electrical fast transient/burst immunity test 2 kV direct) level 3 IEC 61000-4-4<br>1.2/50 µs shock waves immunity test 1 kV differential mode) level 3 IEC 61000-4-5<br>1.2/50 µs shock waves immunity test 2 kV common mode) level 3 IEC 61000-4-5<br>Conducted RF disturbances 10 V 0.15...80 MHz) level 3 IEC 61000-4-6<br>Voltage dips and interruptions immunity test 0 % 1 cycle) IEC 61000-4-11<br>Voltage dips and interruptions immunity test 70 % 25/30 cycles) IEC 61000-4-11<br>Conducted and radiated emissionsclass B EN 55022 |

## Ordering and shipping details

|                       |                                       |
|-----------------------|---------------------------------------|
| Category              | 22370 - RE, RM MISC TIMERS & COUNTERS |
| Discount Schedule     | CP2                                   |
| GTIN                  | 00785901409052                        |
| Nbr. of units in pkg. | 1                                     |
| Package weight(Lbs)   | 0.17 lb(US) (0.08 kg)                 |
| Returnability         | Yes                                   |
| Country of origin     | ID                                    |

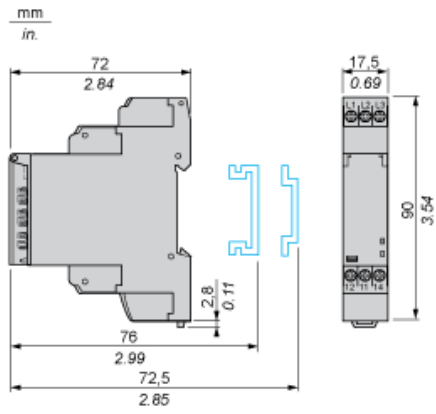
## Packing Units

|                              |                        |
|------------------------------|------------------------|
| Unit Type of Package 1       | PCE                    |
| Package 1 Height             | 3.07 in (7.8 cm)       |
| Package 1 width              | 1.02 in (2.6 cm)       |
| Package 1 Length             | 3.74 in (9.5 cm)       |
| Unit Type of Package 2       | S02                    |
| Number of Units in Package 2 | 40                     |
| Package 2 Weight             | 8.32 lb(US) (3.774 kg) |
| Package 2 Height             | 5.91 in (15 cm)        |
| Package 2 width              | 11.81 in (30 cm)       |
| Package 2 Length             | 15.75 in (40 cm)       |

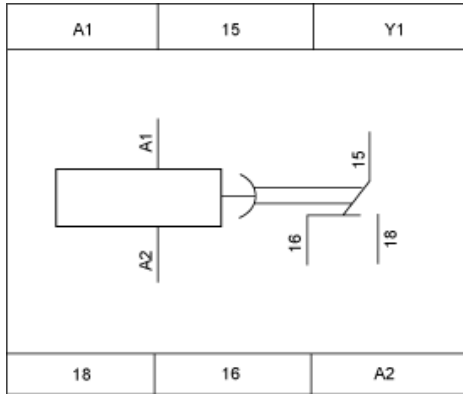
## Offer Sustainability

|                            |   |
|----------------------------|---|
| Sustainable offer status   | Green Premium product   |
| California proposition 65  | WARNING: This product can expose you to chemicals including: Lead and lead compounds, which is known to the State of California to cause cancer and birth defects or other reproductive harm. For more information go to <a href="http://www.P65Warnings.ca.gov">www.P65Warnings.ca.gov</a> |
| REACH Regulation           | <a href="#">REACH Declaration</a>   |
| EU RoHS Directive          | Pro-active compliance (Product out of EU RoHS legal scope) <a href="#">EU RoHS Declaration</a>  |
| Mercury free               | Yes   |
| RoHS exemption information | <a href="#">Yes</a>   |
| China RoHS Regulation      | <a href="#">China RoHS Declaration</a>  |
| Environmental Disclosure   | <a href="#">Product Environmental Profile</a>   |
| Circularity Profile        | <a href="#">End Of Life Information</a>   |

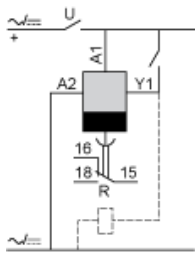
Width 17.5 mm



Internal Wiring Diagram



Wiring Diagram

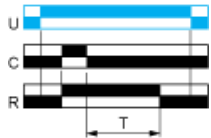


Function C : Off-Delay Relay with Control Signal

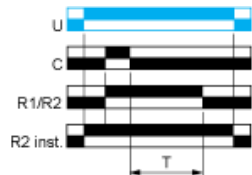
Description

After power-up and closing of the control contact C, the output R closes. When control contact C re-opens, timing T starts. At the end of the timing period, the output(s) R revert(s) to its/their initial state. The second output can be either timed or instantaneous.

Function: 1 Output




Function: 2 Outputs



2 timed outputs (R1/R2) or 1 timed output (R1) and 1 instantaneous output (R2 inst.)

Legend

 Relay de-energised

 Relay energised

 Output open

 Output closed

C Control contact

G Gate

R Relay or solid state output

R1/ R2 2 timed outputs

R2 inst. The second output is instantaneous if the right position is selected

T Timing period

Ta Adjustable On-delay

-

Tr Adjustable Off-delay

-

U Supply