



Main

Range of product	OsiSense XU
Series name	Application material handling
Electronic sensor type	Photo-electric sensor
Sensor name	XUY
Sensor design	Compact 50 x 50
Detection system	Diffuse
Material	Plastic
Supply circuit type	DC
Wiring technique	5-wire
Discrete output type	PNP
Analogue output range	4...20 mA
Electrical connection	1 male connector M12, 5 pins
Product specific application	Measuring thickness of mechanical parts Position control of robot arm
Emission	Red laser, pulsed 0.000025591 in (650 nm) - class 1 IEC 825-1
[Sn] nominal sensing distance	3.15...11.81 in (80...300 mm)

Complementary

Enclosure material	ABS, anti-shock
Pulse frequency	2.5 kHz
Linearity	< 0.25 %
Spot diameter	0.21 in (5.25 mm) at 80 mm
Spot dimension	1.5 x 3.5 mm at 80 mm
Resolution	200 µm
Status LED	Supply on 1 LED (green) Dirty 1 LED (red)
[Us] rated supply voltage	24 V DC reverse polarity protection
Supply voltage limits	18...28 V DC
Switching capacity in mA	100 mA (overload and short-circuit protection)
Switching frequency	< 40 Hz
Maximum voltage drop	<2.4 V (closed state)
Current consumption	40 mA (no-load)
Maximum delay response	40 Ms (output circuit medium speed mode) 0.4 ms (output circuit fast speed mode)
Setting-up	Parameterizing by buttons
Net Weight	0.13 lb(US) (0.057 kg)

Environment

Product certifications	CE
Ambient air temperature for operation	32...113 °F (0...45 °C)
Ambient air temperature for storage	-4...140 °F (-20...60 °C)
Immunity to ambient light	5000 lux (natural light)
Vibration resistance	7 gn +/- 1.5 mm (10...55 Hz) IEC 60068-2-6
Shock resistance	30 gn (11 ms) IEC 60068-2-27
IP degree of protection	IP67 conforming to IEC 60529



Ordering and shipping details

Category	22481 - SENSORS, PHOTOELECTRIC
Discount Schedule	DS2
GTIN	03389119027885
Nbr. of units in pkg.	1
Package weight(Lbs)	0.13 lb(US) (0.06 kg)
Returnability	No
Country of origin	DE

Packing Units

Package 1 Height	0.300 dm
Package 1 width	0.700 dm
Package 1 Length	1.000 dm

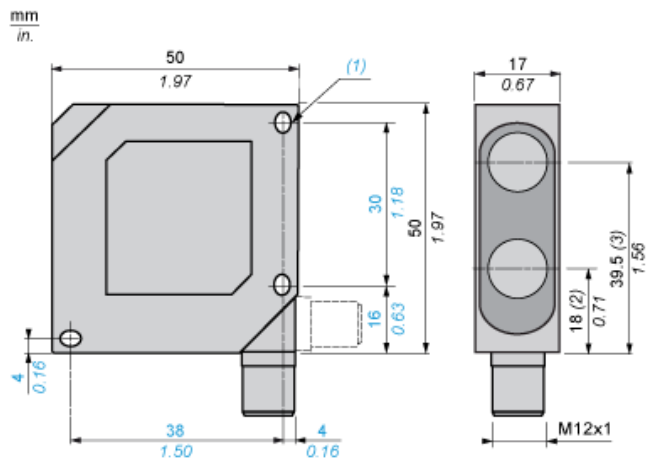
Offer Sustainability

California proposition 65	WARNING: This product can expose you to chemicals including: Diisononyl phthalate (DINP), which is known to the State of California to cause cancer, and Di-isodecyl phthalate (DIDP), which is known to the State of California to cause birth defects or other reproductive harm. For more information go to www.P65Warnings.ca.gov
EU RoHS Directive	Pro-active compliance (Product out of EU RoHS legal scope)  EU RoHS Declaration
Mercury free	Yes
RoHS exemption information	 Yes

Contractual warranty

Warranty	18 months
----------	-----------

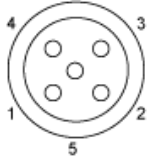
Dimensions



- (1) 2 elongated holes $\text{Ø } 4.3 \times 4$
- (2) Transmitter optical axis
- (3) Receiver optical axis

Wiring Schemes

M12



- 1: Brown
- 2: White
- 3: Blue
- 4: Black
- 5: Grey

PNP Output

PNP	BN	18-28 V
	WH	QA
	BU	0 V
	BK	Q
	GY	IN

- BN : Brown : 18-28V
- WH : White : 4-20 mA analogue output (R< 500 Ohm)
- BU : Blue : 0 V
- BK : Black : OUT/Output
- GY : Grey : IN

Adjustment Curves

