

# XALD222

Control station, plastic, dark grey lid, 2 flush push buttons Ø22, marked UP ARROW DOWN ARROW, 2 NO



## Main

|                             |  |
|-----------------------------|--|
| Range of product            | Harmony XALD   |
| Product or component type   | Complete control station   |
| Device short name           | XALD   |
| Product destination         | For XB5 Ø 22 mm control and signalling units   |
| Control station application | Two functions  |
| Colour of base of enclosure | Light grey (RAL 7035)  |
| Colour of cover             | Dark grey RAL 7016)  |
| Material                    | Polycarbonate  |
| Operator profile            | 2 flush push-buttons   |
| Operators description       | White "up arrow" 1 NO - black "down arrow" 1 NO  |
| Control station composition | 1 flush push-button, black 1 NO, white down arrow<br>1 flush push-button, white 1 NO, black up arrow |
| Marking location            | Marking on push-button   |
| Contact operation           | Slow-break   |

## Complementary

|  |  |
|--|--|
| Cable entry  | 2 knock-outs for cable entry, clamping capacity: 14 mm<br>2 knock-outs for Pg 13 cable gland and ISO M20, clamping capacity: 12 mm   |
| Net Weight   | 0.51 lb(US) (0.233 kg)   |
| Resistance to high pressure washer                       | 7000000 Pa at 55 °C, distance : 0.1 m  |
| Colour of marking  | White marking when green, red or black caps<br>Black marking when white caps   |
| Positive opening   | Without  |
| Operating travel   | 2.6 Mm (NO changing electrical state)<br>0.17 in (4.3 mm) total travel)  |
| Operating force  | 3.8 N NO changing electrical state   |
| Mechanical durability                                    | 10000000 cycles  |
| Connections - terminals                                  | Screw clamp terminals, <= 2 x 1.5 mm <sup>2</sup> with cable end EN/IEC 60947-1<br>Screw clamp terminals, >= 1 x 0.22 mm <sup>2</sup> without cable end EN/IEC 60947-1   |
| Tightening torque  | 7.08...10.62 lbf.in (0.8...1.2 N.m) EN/IEC 60947-1   |
| Shape of screw head                                      | Cross Philips no 1<br>Cross pozidriv No 1<br>Slotted flat Ø 4 mm<br>Slotted flat Ø 5.5 mm  |
| Contacts material  | Silver alloy (Ag/Ni)   |
| Short-circuit protection                                 | 10 A cartridge fuse gG EN/IEC 60947-5-1  |
| [I <sub>th</sub> ] conventional free air thermal current | 10 A EN/IEC 60947-5-1  |
| [U <sub>i</sub> ] rated insulation voltage               | 600 V 3)EN/IEC 60947-1   |
| [U <sub>imp</sub> ] rated impulse withstand voltage      | 6 kV EN/IEC 60947-1  |
| [I <sub>e</sub> ] rated operational current              | 6 A at 120 V, AC-15, A600 conforming to EN/IEC 60947-5-1<br>3 A at 240 V, AC-15, A600 conforming to EN/IEC 60947-5-1<br>1.2 A at 600 V, AC-15, A600 conforming to EN/IEC 60947-5-1<br>0.55 A at 125 V, DC-13, Q600 conforming to EN/IEC 60947-5-1<br>0.27 A at 250 V, DC-13, Q600 conforming to EN/IEC 60947-5-1<br>0.1 A at 600 V, DC-13, Q600 conforming to EN/IEC 60947-5-1 |

The information provided in this documentation contains general descriptions and/or technical characteristics of the performance of the products contained herein. This documentation is not intended as a substitute for and is not to be used for determining suitability or reliability of these products for specific user applications. It is the duty of any such user or integrator to perform the appropriate and complete risk analysis, evaluation and testing of the products with respect to the relevant specific application or use thereof. Neither Schneider Electric Industries SAS nor any of its affiliates or subsidiaries shall be responsible or liable for misuse of the information contained herein.

|                        |   |
|------------------------|---|
| Electrical durability  | 1000000 Cycles, AC-15, 2 A 230 V 3600 cyc/h 0.5 EN/IEC 60947-5-1 appendix C<br>1000000 Cycles, AC-15, 3 A 120 V 3600 cyc/h 0.5 EN/IEC 60947-5-1 appendix C<br>1000000 Cycles, AC-15, 4 A 24 V 3600 cyc/h 0.5 EN/IEC 60947-5-1 appendix C<br>1000000 Cycles, DC-13, 0.2 A 110 V 3600 cyc/h 0.5 EN/IEC 60947-5-1 appendix C<br>1000000 cycles, DC-13, 0.5 A 24 V 3600 cyc/h 0.5 EN/IEC 60947-5-1 appendix C |
| Electrical reliability | $\Lambda < 10\exp(-6)$ 5 V 1 mA EN/IEC 60947-5-4<br>$\Lambda < 10\exp(-8)$ 17 V 5 mA EN/IEC 60947-5-4   |

## Environment

|                                       |   |
|---------------------------------------|---|
| Protective treatment                  | TH  |
| Ambient air temperature for storage   | -40...158 °F (-40...70 °C)  |
| Ambient air temperature for operation | -40...158 °F (-40...70 °C)  |
| Electrical shock protection class     | Class II IEC 60536  |
| IP degree of protection               | IP66 IEC 60529<br>IP67<br>IP69<br>IP69K   |
| NEMA degree of protection             | NEMA 13<br>NEMA 4X  |
| IK degree of protection               | IK03 conforming to EN 50102   |
| Standards                             | JIS C8201-5-1<br>EN/IEC 60947-1<br>CSA C22.2 No 14<br>EN/IEC 60947-5-4<br>EN/IEC 60947-5-1<br>UL 508<br>EN/IEC 60947-5-5<br>JIS C8201-1 |
| Vibration resistance                  | 5 gn 12...500 Hz)IEC 60068-2-6  |
| Shock resistance                      | 30 gn 18 ms) half sine wave acceleration IEC 60068-2-27<br>50 gn 11 ms) half sine wave acceleration IEC 60068-2-27                      |

## Ordering and shipping details

|                       |                       |
|-----------------------|-----------------------|
| Category              | 22475 - WALL STATIONS |
| Discount Schedule     | CS2                   |
| GTIN                  | 00785901618690        |
| Nbr. of units in pkg. | 1                     |
| Package weight(Lbs)   | 1 lb(US) (0.45 kg)    |
| Returnability         | No                    |
| Country of origin     | FR                    |

## Packing Units

|                              |                           |
|------------------------------|---------------------------|
| Unit Type of Package 1       | PCE                       |
| Package 1 Height             | 2.76 in (7 cm)            |
| Package 1 width              | 3.86 in (9.8 cm)          |
| Package 1 Length             | 4.33 in (11 cm)           |
| Unit Type of Package 2       | S03                       |
| Number of Units in Package 2 | 25                        |
| Package 2 Weight             | 13.61 lb(US) (6.175 kg)   |
| Package 2 Height             | 11.81 in (30 cm)          |
| Package 2 width              | 11.81 in (30 cm)          |
| Package 2 Length             | 15.75 in (40 cm)          |
| Unit Type of Package 3       | P06                       |
| Number of Units in Package 3 | 200                       |
| Package 3 Weight             | 130.08 lb(US) (59.004 kg) |
| Package 3 Height             | 30.31 in (77 cm)          |
| Package 3 width              | 31.50 in (80 cm)          |
| Package 3 Length             | 23.62 in (60 cm)          |

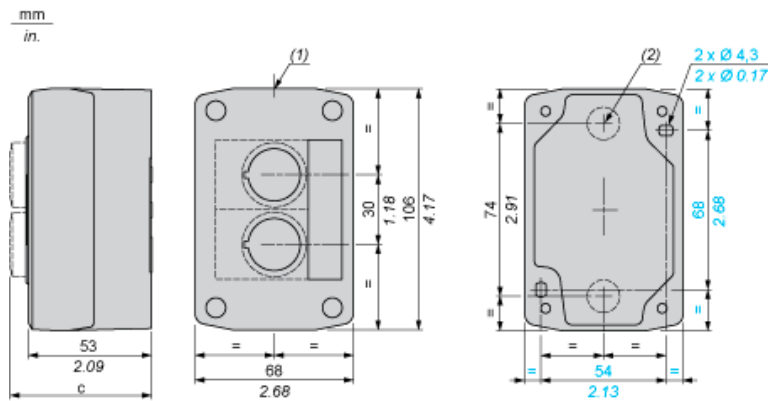
## Offer Sustainability

|                            |  |
|----------------------------|--|
| Sustainable offer status   | Green Premium product  |
| REACH Regulation           | <a href="#">REACH Declaration</a>  |
| REACH free of SVHC         | Yes  |
| EU RoHS Directive          | Pro-active compliance (Product out of EU RoHS legal scope) <a href="#">EU RoHS Declaration</a>                               |
| Toxic heavy metal free     | Yes  |
| Mercury free               | Yes  |
| RoHS exemption information | <a href="#">Yes</a>  |
| China RoHS Regulation      | <a href="#">China RoHS Declaration</a>   |
| Environmental Disclosure   | <a href="#">Product Environmental Profile</a>  |
| Circularity Profile        | <a href="#">End Of Life Information</a>  |
| WEEE                       | The product must be disposed on European Union markets following specific waste collection and never end up in rubbish bins. |

## Contractual warranty

|          |           |
|----------|-----------|
| Warranty | 18 months |
|----------|-----------|

Dimensions



- (1) 2 knock-outs for Pg 13.5 cable gland, maximum capacity 12 mm/0.47 in.  
(2) Knock-out for cable entry, maximum capacity 14 mm/0.55 in.

| Control station fitted with:                              | c in mm | c in in. |
|---|---------|----------|
| Flush pushbutton  | 62      | 2.44     |
| Pilot light   | 64      | 2.52     |
| Illuminated pushbutton                                    | 65.5    | 2.58     |
| Projecting pushbutton                                     | 66      | 2.60     |
| Selector switch   | 80      | 3.15     |
| Mushroom head pushbutton                                  | 91.5    | 3.58     |
| Latching mushroom head Emergency stop pushbutton with key | 115     | 4.53     |
| Key switch  | 105.5   | 4.15     |