

XAPM1201H29

Empty control station, zinc alloy, blue, 1 cut-out, Ø22, with ISO cable entries, 80 x 80 x 51.5 mm



Main

| | |
|-----------------------------|---|
| Range of product | Harmony XAP |
| Product or component type | Die-cast empty control station |
| Device short name | XAPM |
| Product destination | For Ø 22 mm control and signalling units |
| Product front plate size | 80 x 80 mm |
| Usable depth | 1.93 in (49 mm) |
| Number of cut-out | 1 cut-out |
| Colour of base of enclosure | Blue |
| Colour of cover | Blue |
| Material | Zinc alloy |
| Cable entry | 1 hole with blanking plug for ISO 429248 cable gland 0.79 in (20 mm) 1 hole without blanking plug for ISO 429248 cable gland 0.79 in (20 mm) |
| Device mounting | Flush |
| IP degree of protection | IP65 IEC 60529 IP69 NF C 20-010 IP69K |

Complementary

| | |
|-------------------------|------------------------|
| Number of vertical rows | 1 |
| Net Weight | 1.00 lb(US) (0.455 kg) |

Environment

| | |
|---------------------------------------|--|
| Protective treatment | TC |
| Ambient air temperature for storage | -40...158 °F (-40...70 °C) |
| Ambient air temperature for operation | -40...158 °F (-40...70 °C) |
| Overvoltage category | Class I conforming to IEC 60536 Class I NF C 20-030 |

Ordering and shipping details

| | |
|-----------------------|---------------------------------|
| Category | 22466 - PUSHBUTTON, ACCESSORIES |
| Discount Schedule | CS2 |
| GTIN | 00785901667247 |
| Nbr. of units in pkg. | 1 |
| Package weight(Lbs) | 1.21 lb(US) (0.55 kg) |
| Returnability | No |
| Country of origin | MA |

The information provided in this documentation contains general descriptions and/or technical characteristics of the performance of the products contained herein. This documentation is not intended as a substitute for and is not to be used for determining suitability or reliability of these products for specific user applications. It is the duty of any such user or integrator to perform the appropriate and complete risk analysis, evaluation and testing of the products with respect to the relevant specific application or use thereof. Neither Schneider Electric Industries SAS nor any of its affiliates or subsidiaries shall be responsible or liable for misuse of the information contained herein.

Packing Units

| | |
|------------------------------|----------------------------|
| Unit Type of Package 1 | PCE |
| Package 1 Height | 3.23 in (8.2 cm) |
| Package 1 width | 3.54 in (9 cm) |
| Package 1 Length | 3.62 in (9.2 cm) |
| Unit Type of Package 2 | S02 |
| Number of Units in Package 2 | 12 |
| Package 2 Weight | 14.58 lb(US) (6.615 kg) |
| Package 2 Height | 5.91 in (15 cm) |
| Package 2 width | 11.81 in (30 cm) |
| Package 2 Length | 15.75 in (40 cm) |
| Unit Type of Package 3 | P06 |
| Number of Units in Package 3 | 192 |
| Package 3 Weight | 256.59 lb(US) (116.388 kg) |
| Package 3 Height | 31.50 in (80 cm) |
| Package 3 width | 31.50 in (80 cm) |
| Package 3 Length | 23.62 in (60 cm) |

Offer Sustainability

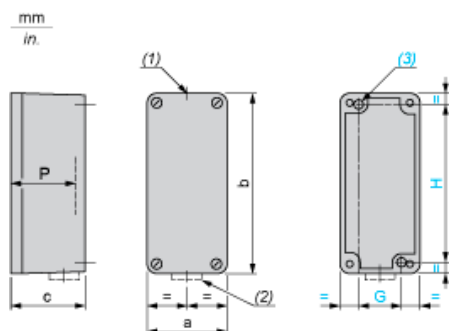
| | |
|----------------------------|---|
| Sustainable offer status | Green Premium product |
| California proposition 65 | WARNING: This product can expose you to chemicals including: Di-isodecyl phthalate (DIDP), which is known to the State of California to cause birth defects or other reproductive harm. For more information go to www.P65Warnings.ca.gov |
| REACH Regulation | REACH Declaration |
| REACH free of SVHC | Yes |
| EU RoHS Directive | Pro-active compliance (Product out of EU RoHS legal scope) EU RoHS Declaration |
| Toxic heavy metal free | Yes |
| Mercury free | Yes |
| RoHS exemption information | Yes |
| China RoHS Regulation | China RoHS Declaration |
| Environmental Disclosure | Product Environmental Profile |
| Circularity Profile | End Of Life Information |

Contractual warranty

| | |
|----------|-----------|
| Warranty | 18 months |
|----------|-----------|

Dimensions and Fixing

Refer to the product characteristics to get the number of cut-outs.



- (1) 1 hole, without blanking plug, for cable gland with 14 mm/0.55 in. maximum clamping capacity
 - (2) 1 hole, with blanking plug (protrusion 6 mm/0.23 in.), for cable gland with 14 mm/0.55 in. maximum clamping capacity
 - (3) 2 x Ø 5.6 mm/0.22 in. holes, depth 20 mm/0.78 in.
- P Usable depth

| a | | b | | c | | G | | H | | P | |
|----|------|----|------|------|------|----|------|----|------|----|------|
| mm | in. | mm | in. | mm | in. | mm | in. | mm | in. | mm | in. |
| 80 | 3.15 | 80 | 3.15 | 51.5 | 2.01 | 50 | 1.97 | 65 | 2.56 | 49 | 1.93 |