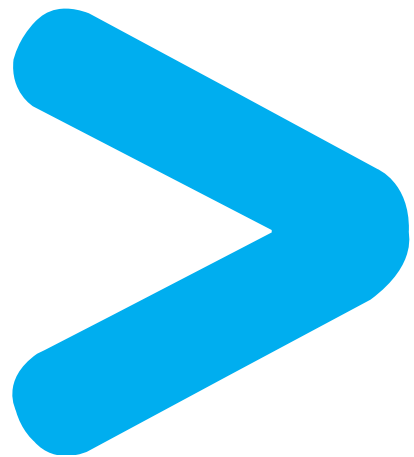
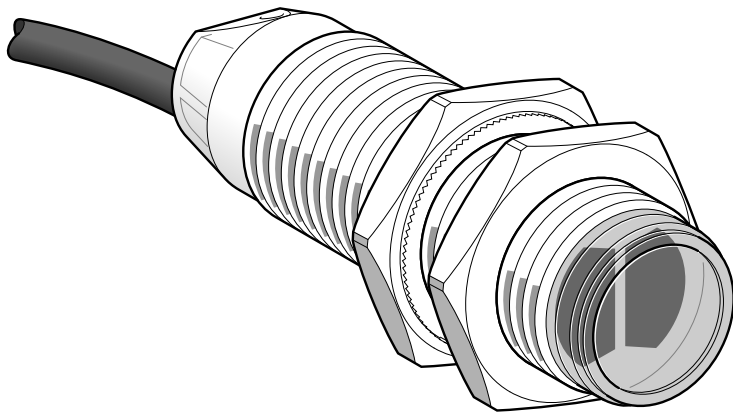


# Product Environmental Profile

**XUB0APSNL2 Photoelectric Sensor**



**Telemecanique**

**Sensors**

# Product Environmental Profile - PEP

## Product overview

The main purpose of XUB0APSNL2 and more generally of any photoelectric sensor, installed in automated installations, is to transmit to the control system the information of presence, absence or positioning.

This range consists of cylindrical photoelectric sensors XUB\* and XU1\* to XU9\*.

The representative product used for the analysis is XUB0APSNL2.

The environmental impacts of this referenced product are representative of the impacts of the other products of the range which are developed with a similar technology.

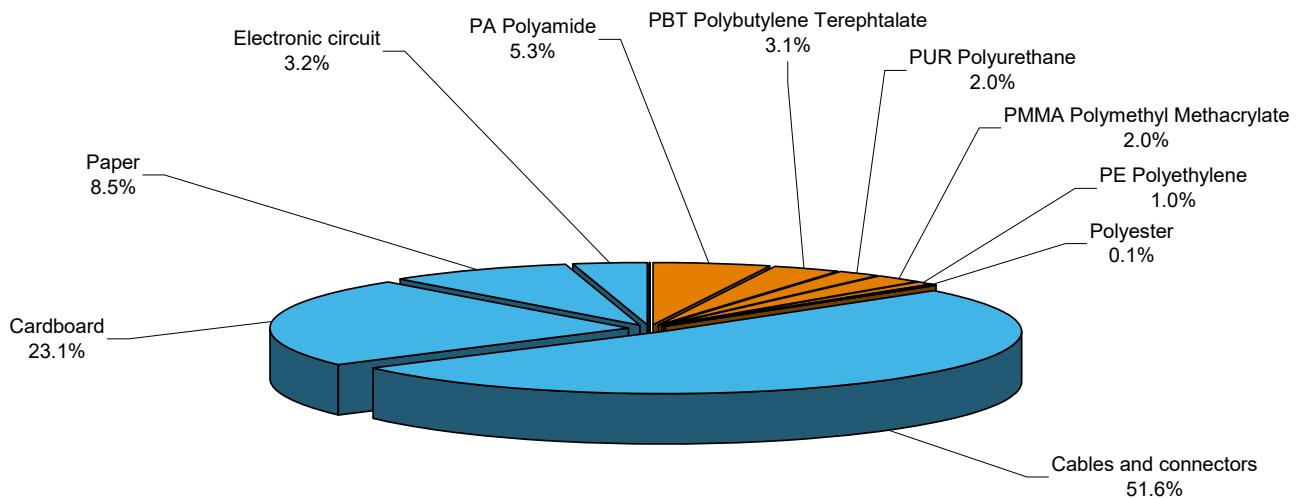
The environmental analysis was performed in conformity with ISO 14040.

For more information please contact us at: [global-green-sensors@schneider-electric.com](mailto:global-green-sensors@schneider-electric.com)

## Constituent materials

The mass of the product range is from 45 g and 285 g including packaging. It is 100 g for XUB0APSNL2.

The constituent materials are distributed as follows:



## Substance assessment

The representative product of this range XUB0APSNL2 is designed in conformity with the requirements of the RoHS directive (European Directive 2002/95/EC of 27 January 2003) and does not contain, or only contains in the authorised proportions, lead, mercury, cadmium, hexavalent chromium or flame retardants (polybrominated biphenyls - PBB, polybrominated diphenyl ethers - PBDE) as mentioned in the Directive.

## Manufacturing

XUB0APSNL2 product is manufactured at a Schneider Electric production site on which an ISO14001 certified environmental management system has been established.

## Distribution

The weight and volume of the packaging have been optimized, based on the European Union's packaging directive. XUB0APSNL2 packaging weight is 33 g. It consists of cardboard, paper and polyethylene.

The product distribution flows have been optimised by setting up local distribution centres close to the market areas.

# Product Environmental Profile - PEP

## Use

The cylindrical photoelectric sensors do not generate environmental pollution (noise, emissions) requiring special precautionary measures in standard use and do not need special maintenance operation.

The electrical power consumption depends on the conditions under which the product is implemented and used. The electrical power consumed by XUB0APSNL2 product is between 0.84 W in idle mode and 2.4 W in active mode. For the purpose of the present modelization it is considered to be in idle mode 90% of the time and in active mode 10% of the time.

## End of life

Some products of this range contain an external electrical cable that should be separated from the stream of waste so as to optimize end-of-life treatment by special treatments. The location of these components and other recommendations are given in the End of Life Instruction document which is available for this product range.

The recyclability potential of the products has been evaluated using the "ECO DEEE recyclability and recoverability calculation method" (version V1, 20 Sep. 2008 presented to the French Agency for Environment and Energy Management: ADEME).

According to this method, the potential recyclability ratio is: 12%.

As described in the recyclability calculation method this ratio includes only metals and plastics which have proven industrial recycling processes.

## Environmental impacts

Life cycle assessment has been performed on the following life cycle phases: Materials and Manufacturing (M), Distribution (D), Installation (I) Use (U), and End of life (E).

Modeling hypothesis and method:

- the calculation was performed on XUB0APSNL2
- product packaging: is included
- installation components: no special components included
- scenario for the Use phase: this product range is included in the category of the "energy consuming products" (assumed service life is 10 years and use scenario is: 10% of the time in active mode with a 2.4 W consumed power and 90% of the time in idle mode with a 0.84 W consumed power).

The electrical power model used for calculation is European model.

End of life impacts are based on a worst case transport distance to the recycling plant (1,000km) and the here-after mentioned environmental impacts are valid for a product sold in the European area.

### Presentation of the product environmental impacts

Environmental indicators	Unit	For XUB0APSNL2					
		S = M + D + I + U + E	M	D	I	U	E
Raw Material Depletion	Y-1	1.21E-14	1.10E-14	4.60E-19	0.00E+00	1.13E-15	2.06E-19
Energy Depletion	MJ	1.01E+03	1.07E+01	3.37E-01	0.00E+00	9.99E+02	1.51E-01
Water depletion	dm <sup>3</sup>	1.59E+02	1.42E+01	3.20E-02	0.00E+00	1.44E+02	1.43E-02
Global Warming	g≈CO <sub>2</sub>	5.09E+04	4.80E+02	2.67E+01	0.00E+00	5.04E+04	1.19E+01
Ozone Depletion	g≈CFC-11	2.83E-03	6.16E-05	1.89E-05	0.00E+00	2.74E-03	8.44E-06
Air Toxicity	m <sup>3</sup>	8.64E+06	2.73E+05	5.03E+03	0.00E+00	8.36E+06	2.25E+03
Photochemical Ozone Creation	g≈C <sub>2</sub> H <sub>4</sub>	1.73E+01	1.94E-01	2.28E-02	0.00E+00	1.71E+01	1.02E-02
Air acidification	g≈H <sup>+</sup>	6.95E+00	1.35E-01	3.40E-03	0.00E+00	6.81E+00	1.52E-03
Water Toxicity	dm <sup>3</sup>	1.45E+04	1.57E+02	3.34E+00	0.00E+00	1.44E+04	1.49E+00
Water Eutrophication	g≈PO <sub>4</sub>	1.89E-01	6.95E-02	4.44E-04	0.00E+00	1.18E-01	1.98E-04
Hazardous waste production	kg	8.59E-01	2.27E-02	9.93E-06	0.00E+00	8.36E-01	4.44E-06

Life cycle assessment has been performed with the EIME software (Environmental Impact and Management Explorer), version 4.1, and with its database version 11.

## Product Environmental Profile - PEP

The manufacturing and the use phases are the life cycle phases which have the greatest impacts on the environmental indicators as indicated in the table hereafter showing the contribution of each phase to the environmental indicators.

Environmental indicators	Unit	Weight of each phase				
		M	D	I	U	E
Raw Material Depletion	Y-1	91%	0%	0%	9%	0%
Energy Depletion	MJ	1%	0%	0%	99%	0%
Water depletion	dm <sup>3</sup>	9%	0%	0%	91%	0%
Global Warming	g≈CO <sub>2</sub>	1%	0%	0%	99%	0%
Ozone Depletion	g≈CFC-11	2%	1%	0%	97%	0%
Air Toxicity	m <sup>3</sup>	3%	0%	0%	97%	0%
Photochemical Ozone Creation	g≈C <sub>2</sub> H <sub>4</sub>	1%	0%	0%	99%	0%
Air acidification	g≈H <sup>+</sup>	2%	0%	0%	98%	0%
Water Toxicity	dm <sup>3</sup>	1%	0%	0%	99%	0%
Water Eutrophication	g≈PO <sub>4</sub>	37%	0%	0%	63%	0%
Hazardous waste production	kg	3%	0%	0%	97%	0%

## System approach

As almost all products of the range are designed in accordance with the RoHS Directive (European Directive 2002/95/EC of 27 January 2003), they can be incorporated without any restriction in an assembly or an installation subject to this Directive.

Please note that the values given above are only valid within the context specified and cannot be used directly to draw up the environmental assessment of an installation.

