

Main

Product or component type	Common mode output filter
Range compatibility	Altivar Process ATV600 Altivar Process ATV900
Value of inductance	183.2 µH
Product compatibility	Variable speed drive ATV630 wall mount, 110...160 kW, 380...480 V Variable speed drive ATV650 wall mount, 110...160 kW, 380...480 V Variable speed drive ATV930 wall mount, 110...160 kW, 380...480 V Variable speed drive ATV950 wall mount, 110...160 kW, 380...480 V Variable speed drive ATV630 wall mount, 55...75 kW, 200...240 V Variable speed drive ATV930 wall mount, 55...75 kW, 200...240 V

Complementary

Maximum motor cable length	492.13 Ft (150 m)(unshielded cable)110...160 kW 380...480 V 1 492.13 Ft (150 m)(shielded cable)110 kW 380...480 V 1 984.25 Ft (300 m)(shielded cable)130...160 kW 380...480 V 2 1640.42 Ft (500 m)(unshielded cable)110...160 kW 380...480 V 2 1640.42 Ft (500 m)(shielded cable)110 kW 380...480 V 1 VW3A5506 492.13 Ft (150 m)(unshielded cable)55...75 kW 200...240 V 1 492.13 Ft (150 m)(shielded cable)55 kW 200...240 V 1 984.25 Ft (300 m)(shielded cable)75 kW 200...240 V 2 1640.42 Ft (500 m)(unshielded cable)55...75 kW 200...240 V 2 1640.42 ft (500 m)(shielded cable)55 kW 200...240 V 1 VW3A5506
Saturation current	3.6 A
Internal diameter	4.88 in (123.9 mm) 3-phase cable inside 4.88 in (123.9 mm) PE cable outside
Electrical insulation class	Class I
Mechanical robustness	Shocks class 3M4 conforming to IEC 60721-3-3 Vibrations class 3M4 conforming to IEC 60721-3-3
Switching frequency	<= 10 kHz
Maximum output frequency	100 Hz
Height	7.76 in (197 mm)
Maximum Width	7.52 in (191 mm)
Depth	7.72 in (196 mm)
Net Weight	13.23 lb(US) (6 kg)

Environment

Relative humidity	5...95 % without condensation
Ambient air temperature for operation	5...140 °F (-15...60 °C)
Ambient air temperature for storage	-40...158 °F (-40...70 °C)

Ordering and shipping details

Category	22276 - ATV930 FRAMES 1 & 2
Discount Schedule	CP4E
GTIN	00785901015406
Nbr. of units in pkg.	1
Package weight(Lbs)	6597 lb(US) (2992.35 kg)
Returnability	No

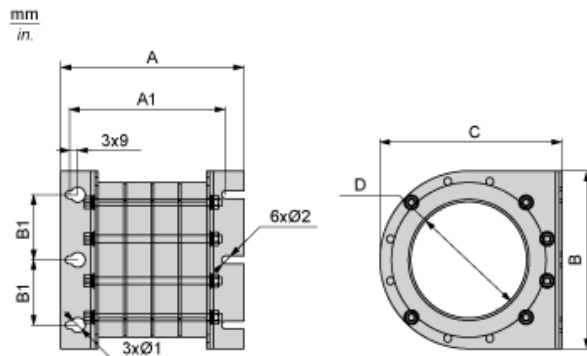
Packing Units

Unit Type of Package 1	PCE
Package 1 Height	8.86 in (22.5 cm)
Package 1 width	10.24 in (26 cm)
Package 1 Length	14.17 in (36 cm)
Unit Type of Package 2	P06
Number of Units in Package 2	6
Package 2 Weight	115.92 lb(US) (52.58 kg)
Package 2 Height	31.50 in (80 cm)
Package 2 width	31.50 in (80 cm)
Package 2 Length	23.62 in (60 cm)

Offer Sustainability

California proposition 65	WARNING: This product can expose you to chemicals including: Lead and lead compounds, which is known to the State of California to cause cancer and birth defects or other reproductive harm. For more information go to www.P65Warnings.ca.gov
REACH Regulation	REACH Declaration
REACH free of SVHC	Yes
EU RoHS Directive	Pro-active compliance (Product out of EU RoHS legal scope) EU RoHS Declaration
Toxic heavy metal free	Yes
Mercury free	Yes
RoHS exemption information	Yes
China RoHS Regulation	China RoHS Declaration

Dimensions



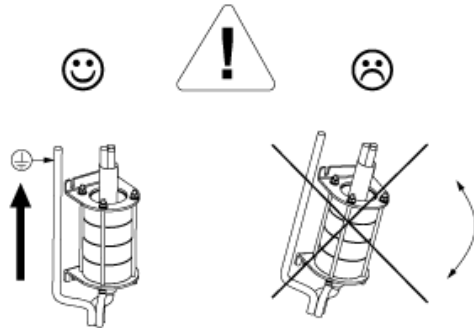
Dimensions in mm

A	A1	B1	Ø1	Ø2	B	C	D
197.2	167.8	70	16	8.5	191	196	123.9

Dimensions in in.

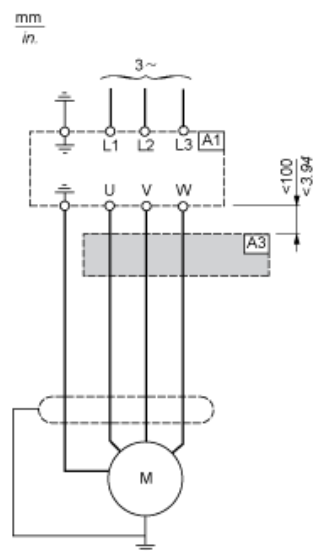
A	A1	B1	Ø1	Ø2	B	C	D
7.8	6.3	2.8	0.6	0.33	7.5	7.7	4.9

Mounting Recommendations



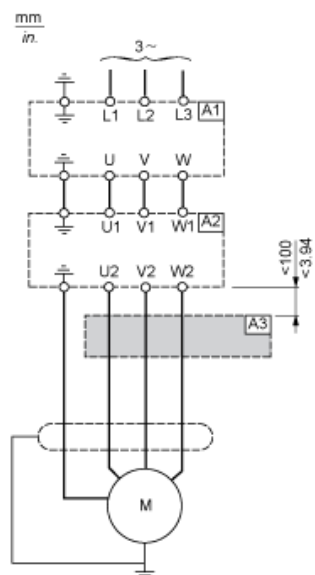
Recommended Schema

Connection at the Output Terminals of the Drive



A1 : Drive
A3 : Common mode filter

Connection at the Output Terminals of the dv/dt Filter or Sinus Filter



A1 : Drive
A2 : dv/dt or sinus filter
A3 : Common mode filter