



Main

| | |
|---------------------------|----------------------------------------------|
| Range of product | Preventa Safety automation |
| Product or component type | Safe relay output module |
| Device short name | XPSMCM |
| Electrical connection | Screw terminal |
| [Us] rated supply voltage | 24 V - 20...20 % DC |
| Number of outputs | 4 relay |
| Function of module | Monitoring safety actuators for relay output |

Complementary

| | |
|--------------------------------|------------------------------------------------------------------------------------------------------------------------------------------------------------------------------------------------------------------------------------------------------------------------------------------------------------------------------------------------------------------------------------------------------------------------------------------------------------------------------------------------------------------------------------------------------------------------------------------------------------------------------------------------------------------------------------------------|
| Maximum power dissipation in W | 3 W |
| Integrated connection type | Not connected to backplane expansion bus |
| Switching voltage | 10 V DC |
| Associated fuse rating | 3.5 A, slow-blow |
| Safety level | Can reach category 4 conforming to EN/ISO 13849-1 Can reach PL = e conforming to EN/ISO 13849-1 Can reach SIL 3 conforming to EN/IEC 61508 SILCL 3 conforming to IEC 62061 |
| Quality labels | CE |
| Output type | Relay, 4 NO + 2 NC, volt-free |
| Quantity per set | 1 |
| Switching time | 12 ms |
| Maximum switching voltage | 400 V AC 250 V DC |
| Minimum switching current | 20 mA |
| Maximum switching current | 6 A |
| Number of terminal blocks | 6 |
| Local signalling | 1 LED green with PWR marking for power ON 1 LED green with RUN marking for RUN (status) 1 LED red with E IN marking for internal error 1 LED red with E EX marking for external error 2 LEDs orange with ADDR marking for node address 2 LEDs green/red RELAY K1...K2 relay contact |
| Connections - terminals | 2 captive screw clamp terminals, removable terminal block 1 captive screw clamp terminals, removable terminal block |
| Cable cross section | 0.2...1.5 Mm ² - AWG 24...AWG 16 flexible cablewithout cable end 0.2...2.5 Mm ² - AWG 24...AWG 14 flexible cablewithout cable end 0.25...1 Mm ² - AWG 23...AWG 18 flexible cablewith cable end, without bezel 0.25...2.5 Mm ² - AWG 23...AWG 14 flexible cablewith cable end, with bezel 0.25...2.5 Mm ² - AWG 23...AWG 14 flexible cablewith cable end, without bezel 0.5...1.5 Mm ² - AWG 20...AWG 16 flexible cablewith cable end, with double bezel 0.2...1 Mm ² - AWG 24...AWG 18 solid cablewithout cable end 0.2...2.5 mm ² - AWG 24...AWG 14 solid cablewithout cable end |
| Mounting support | Omega 35 mm DIN rail conforming to EN 50022 |
| Width | 0.89 in (22.5 mm) |
| Height | 3.90 in (99 mm) |
| Depth | 4.51 in (114.5 mm) |
| Net weight | 0.66 lb(US) (0.3 kg) |

The information provided in this documentation contains general descriptions and/or technical characteristics of the products contained herein. This documentation is not intended as a substitute for and is not to be used for determining suitability or reliability of these products for specific user applications. It is the duty of any such user or integrator to perform the appropriate and complete risk analysis, evaluation and testing of the products with respect to the relevant specific application or use thereof. Neither Schneider Electric Industries SAS nor any of its affiliates or subsidiaries shall be responsible or liable for misuse of the information contained herein.

Environment

| | |
|----------------------------------------|---------------------------------------------------------------------------------------------------------------------------------------------------------------------------------------------------------------------------------------------------------------------------------------------------------------------------------------------------------------------------------------------------------------------------------------------|
| Standards | IEC 62061 EN/ISO 13849-1 EN/IEC 61800-5-1 EN/IEC 61508 |
| Product certifications | RCM CULus TÜV |
| IP degree of protection | IP20 |
| Ambient air temperature for operation | 14...131 °F (-10...55 °C) |
| Ambient air temperature for storage | -4...185 °F (-20...85 °C) |
| Relative humidity | 10...95 % |
| Pollution degree | 2 |
| [Uimp] rated impulse withstand voltage | 4 kV conforming to EN/IEC 61800-5-1 |
| Safety reliability data | B10d = 300000 utilisation category AC-15 230 V , , <3 A conforming to EN/ISO 13849-1 B10d = 750000 utilisation category AC-15 230 V , , <1 A conforming to EN/ISO 13849-1 B10d = 1000000 utilisation category DC-13 24 V , , <2 A conforming to EN/ISO 13849-1 |
| Insulation | 250 V AC between power supply and housing conforming to EN/IEC 61800-5-1 |
| Overvoltage category | II |
| Electromagnetic compatibility | Electrostatic discharge immunity test - test level: 6 kV (on contact) conforming to EN/IEC 61000-4-2 Electrostatic discharge immunity test - test level: 20 kV (on air) conforming to EN/IEC 61000-4-2 Susceptibility to electromagnetic fields - test level: 10 V/m (80...1000 MHz) conforming to EN/IEC 61000-4-3 Susceptibility to electromagnetic fields - test level: 30 V/m (1.4 GHz...2 GHz) conforming to EN/IEC 61000-4-3 |
| Vibration resistance | +/-0.35 mm (f= 10...55 Hz) conforming to EN/IEC 61496-1 |
| Shock resistance | 10 gn for 16 ms (1000 shocks on each axis) conforming to EN/IEC 61496-1 |
| Electrical durability | 20000000 cycles |
| Mechanical durability | 20000000 cycles |
| Service life | 20 year(s) |

Ordering and shipping details

| | |
|-----------------------|-----------------------------------|
| Category | 22477 - SAFETY MODULES (PREVENTA) |
| Discount Schedule | SAF2 |
| GTIN | 00785901697008 |
| Nbr. of units in pkg. | 1 |
| Package weight(Lbs) | 1 lb(US) (0.45 kg) |
| Returnability | No |
| Country of origin | IT |

Packing Units

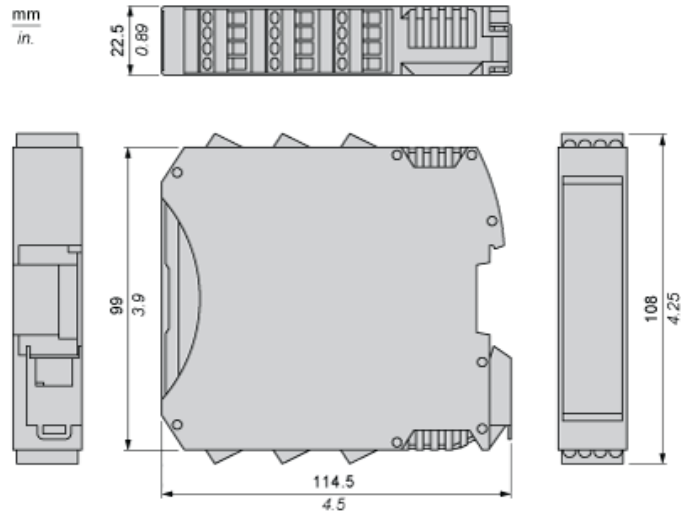
| | |
|------------------------------|-----------------------|
| Unit Type of Package 1 | PCE |
| Package 1 Height | 1.81 in (4.6 cm) |
| Package 1 width | 6.38 in (16.2 cm) |
| Package 1 Length | 4.88 in (12.4 cm) |
| Unit Type of Package 2 | S01 |
| Number of Units in Package 2 | 6 |
| Package 2 Weight | 4.43 lb(US) (2.01 kg) |
| Package 2 Height | 5.91 in (15 cm) |
| Package 2 width | 5.91 in (15 cm) |
| Package 2 Length | 15.75 in (40 cm) |

Offer Sustainability

| | |
|----------------------------|---------------------------------------------------------------------------------------------------------------------------------------------------------------------------------------------------------------------------------------------------------------------------------------------|
| Sustainable offer status | Green Premium product |
| California proposition 65 | WARNING: This product can expose you to chemicals including: Lead and lead compounds, which is known to the State of California to cause cancer and birth defects or other reproductive harm. For more information go to www.P65Warnings.ca.gov |
| REACH Regulation | REACH Declaration |
| REACH free of SVHC | Yes |
| EU RoHS Directive | Pro-active compliance (Product out of EU RoHS legal scope) EU RoHS Declaration |
| Mercury free | Yes |
| RoHS exemption information | Yes |
| China RoHS Regulation | China RoHS Declaration |
| Environmental Disclosure | Product Environmental Profile |
| Circularity Profile | End Of Life Information |
| WEEE | The product must be disposed on European Union markets following specific waste collection and never end up in rubbish bins. |
| PVC free | Yes |

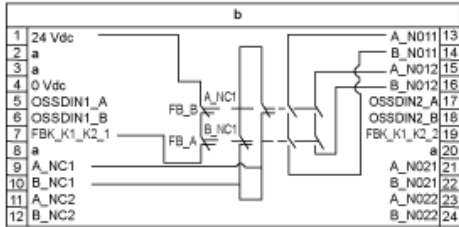
Dimensions

Screw Terminal



Wiring

Wiring Example



- a : Not connected
- b : Safe Relay output module