



Main

| | |
|------------------------------|---|
| Range of product | Zelio Control |
| Product or component type | Modular measurement and control relays |
| Relay type | Control relay |
| Product specific application | For 3-phase supply |
| Relay name | RM17TG |
| Relay monitored parameters | Phase sequence Phase failure detection (2 or more phase cut) |
| Time delay | Without |
| Switching capacity in VA | 1250 VA |
| Measurement range | 208...440 V voltage AC |

Complementary

| | |
|--------------------------------|--|
| Maximum switching voltage | 250 V AC 250 V DC |
| Minimum switching current | 10 mA 5 V DC |
| Supply voltage limits | 183...484 V AC |
| Control circuit voltage limits | - 12 % + 10 % Un |
| Power consumption in VA | 0...22 VA 400 V AC 50 Hz |
| Voltage detection threshold | < 100 V AC |
| Control circuit frequency | 50...60 Hz +/- 10 % |
| Output contacts | 2 C/O |
| Nominal output current | 5 A |
| Measurement voltage limits | 183...484 V AC |
| Delay at power up | 650 ms |
| Voltage range | 183...484 V |
| Response time | <= 130 ms in the event of a fault) |
| Marking | CE |
| Overvoltage category | III IEC 60664-1 |
| Insulation resistance | > 500 MOhm 500 V DC IEC 60255-5 > 500 MOhm 500 V DC IEC 60664-1 |
| [Ui] rated insulation voltage | 400 V IEC 60664-1 |
| Supply frequency | 50/60 Hz +/- 10 % |
| Operating position | Any position without derating |
| Connections - terminals | Screw terminals, 1 x 0.5...1 x 4 mm ² AWG 20...AWG 11) solid without cable end Screw terminals, 2 x 0.5...2 x 2.5 mm ² AWG 20...AWG 14) solid without cable end Screw terminals, 1 x 0.2...1 x 2.5 mm ² AWG 24...AWG 12) flexible with cable end Screw terminals, 2 x 0.2...2 x 1.5 mm ² AWG 24...AWG 16) flexible with cable end |
| Tightening torque | 5.31...8.85 lbf.in (0.6...1 N.m) IEC 60947-1 |
| Housing material | Self-extinguishing plastic |
| Local signalling | Relay ON LED yellow) |
| Mounting support | 35 mm symmetrical DIN rail EN/IEC 60715 |
| Electrical durability | 10000 cycles |
| Mechanical durability | 30000000 cycles |
| Operating rate | <= 360 operations/hour full load |

| | |
|-------------------------|--|
| Utilisation category | AC-12 IEC 60947-5-1 AC-13 IEC 60947-5-1 AC-14 IEC 60947-5-1 AC-15 IEC 60947-5-1 DC-12 IEC 60947-5-1 DC-13 IEC 60947-5-1 |
| Safety reliability data | B10d = 850000 MTTFd = 924.6 years |
| Maximum Width | 0.69 in (17.5 mm) |
| Net Weight | 0.29 lb(US) (0.13 kg) |

Environment

| | |
|---------------------------------------|---|
| Electromagnetic compatibility | Emission standard for industrial environments EN/IEC 61000-6-4 Emission standard for residential, commercial and light-industrial environments EN/IEC 61000-6-3 Immunity for industrial environments EN/IEC 61000-6-2 |
| Standards | EN/IEC 60255-1 |
| Product certifications | GOST C-tick UL CSA GL |
| Directives | 73/23/EEC - low voltage directive 89/336/EEC - electromagnetic compatibility |
| Ambient air temperature for storage | -40...158 °F (-40...70 °C) |
| Ambient air temperature for operation | -4...122 °F (-20...50 °C) |
| Relative humidity | 95 % 131 °F (55 °C) IEC 60068-2-30 |
| Vibration resistance | 0.35 mm 5...57.6 Hz)IEC 60068-2-6 1 gn 57.6...150 Hz)IEC 60255-21-1 |
| Shock resistance | 15 gn 11 ms IEC 60255-21-1 |
| IP degree of protection | IP20 IEC 60529 terminals) IP30 IEC 60529 casing) |
| Pollution degree | 3 conforming to IEC 60664-1 |
| Dielectric test voltage | 2 kV AC 50 Hz, 1 min |
| Non-dissipating shock wave | 4 kV |

Ordering and shipping details

| | |
|-----------------------|--|
| Category | 22380 - RELAYS-MEASUREMENT (RM17-RM35) |
| Discount Schedule | CP2 |
| GTIN | 00785901706854 |
| Nbr. of units in pkg. | 1 |
| Package weight(Lbs) | 0.21 lb(US) (0.10 kg) |
| Returnability | Yes |
| Country of origin | ID |

Packing Units

| | |
|------------------------------|---------------------------|
| Unit Type of Package 1 | PCE |
| Package 1 Height | 1.06 in (2.7 cm) |
| Package 1 width | 3.07 in (7.8 cm) |
| Package 1 Length | 3.82 in (9.7 cm) |
| Unit Type of Package 2 | S02 |
| Number of Units in Package 2 | 48 |
| Package 2 Weight | 10.82 lb(US) (4.909 kg) |
| Package 2 Height | 5.91 in (15 cm) |
| Package 2 width | 11.81 in (30 cm) |
| Package 2 Length | 15.75 in (40 cm) |
| Unit Type of Package 3 | P06 |
| Number of Units in Package 3 | 768 |
| Package 3 Weight | 192.25 lb(US) (87.204 kg) |
| Package 3 Height | 30.31 in (77 cm) |

| | |
|------------------|------------------|
| Package 3 width | 31.50 in (80 cm) |
| Package 3 Length | 23.62 in (60 cm) |

Offer Sustainability

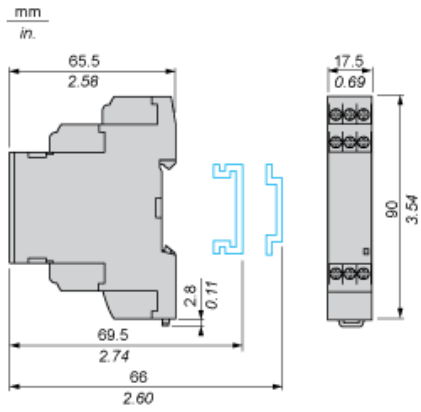
| | |
|----------------------------|---|
| Sustainable offer status | Green Premium product |
| California proposition 65 | WARNING: This product can expose you to chemicals including: Lead and lead compounds, which is known to the State of California to cause cancer and birth defects or other reproductive harm. For more information go to www.P65Warnings.ca.gov |
| REACH Regulation | REACH Declaration |
| EU RoHS Directive | Pro-active compliance (Product out of EU RoHS legal scope) EU RoHS Declaration |
| Mercury free | Yes |
| RoHS exemption information | Yes |
| China RoHS Regulation | China RoHS Declaration |
| Environmental Disclosure | Product Environmental Profile |
| Circularity Profile | End Of Life Information |
| WEEE | The product must be disposed on European Union markets following specific waste collection and never end up in rubbish bins. |

Contractual warranty

| | |
|----------|-----------|
| Warranty | 18 months |
|----------|-----------|

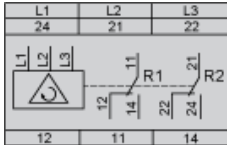
3-Phase Supply Control Relays

Dimensions and Mounting



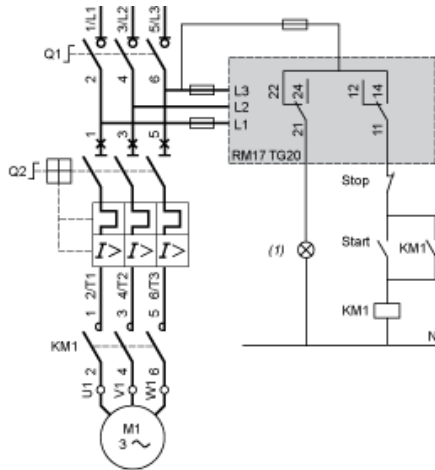
3-Phase Supply Control Relays

Wiring Diagram



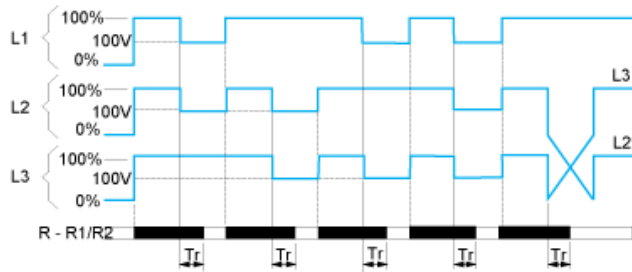
Application Scheme

Example



Function Diagram

Phase Sequence Control and Total Loss of Phase Detection



Legend

- T_r Response time on appearance of a fault
- L1, L2, L3 Phases of the supply voltage monitored
- R - R1/R2 Output relay(s),
- Relay status: black color = energized.