

# XS612B1MAL2

inductive sensor, XS6, M12, L53 mm, brass,  
Sensing 4 mm, 24 to 240 VAC/DC, 2 meter  
cable



## Main

|                                    |   |
|------------------------------------|---|
| Range of product                   | OsiSense XS   |
| Series name                        | General purpose                                     |
| Sensor type                        | Inductive proximity sensor                          |
| Sensor name                        | XS6   |
| Sensor design                      | Cylindrical M12                                     |
| Size                               | 54 mm   |
| Body type                          | Fixed   |
| Detector flush mounting acceptance | Flush mountable                                     |
| Material                           | Metal   |
| Type of output signal              | Discrete  |
| Wiring technique                   | 2-wire  |
| [Sn] nominal sensing distance      | 0.16 in (4 mm)                                      |
| Discrete output function           | 1 NO  |
| Output circuit type                | AC/DC   |
| Electrical connection              | Cable   |
| Cable length                       | 6.56 ft (2 m)                                       |
| [Us] rated supply voltage          | 24...240 V AC/DC 50/60 Hz                           |
| Switching capacity in mA           | 5...200 mA AC/DC                                    |
| IP degree of protection            | IP68 double insulation IEC 60529<br>IP69K DIN 40050 |

## Complementary

|                          |                                |
|--------------------------|--------------------------------|
| Thread type              | M12 x 1                        |
| Detection face           | Frontal                        |
| Front material           | PPS                            |
| Enclosure material       | Nickel Plated Brass            |
| Sensing range            | > 0.1...0.16 in (> 2.5...4 mm) |
| Operating zone           | 0.00...0.13 in (0...3.2 mm)    |
| Differential travel      | 1...15% of Sr                  |
| Cable composition        | 2 x 0.34 mm <sup>2</sup>       |
| Wire insulation material | PvR                            |
| Status LED               | Output state 1 LED yellow)     |
| Supply voltage limits    | 20...264 V AC/DC               |
| Maximum residual current | 0.8 mA open state              |
| Switching frequency      | <= 1000 Hz DC<br><= 25 Hz AC   |
| Maximum voltage drop     | <5.5 V closed)                 |
| Maximum delay first up   | 20 ms                          |
| Maximum delay response   | 0.5 ms                         |
| Maximum delay recovery   | 0.2 ms                         |
| Marking                  | CE                             |
| Threaded length          | 1.65 in (42 mm)                |

|            |                        |
|------------|------------------------|
| Length     | 2.13 in (54 mm)        |
| Net Weight | 0.17 lb(US) (0.075 kg) |

## Environment

|                                       |   |
|---------------------------------------|---|
| Product certifications                | UL<br>CSA                               |
| Ambient air temperature for operation | -13...158 °F (-25...70 °C)              |
| Ambient air temperature for storage   | -40...185 °F (-40...85 °C)              |
| Vibration resistance                  | 25 gn +/- 2 mm 10...55 Hz)IEC 60068-2-6 |
| Shock resistance                      | 50 gn 11 ms IEC 60068-2-27              |

## Ordering and shipping details

|                       |                            |
|-----------------------|----------------------------|
| Category              | 22486 - SENSORS, PROXIMITY |
| Discount Schedule     | DS2                        |
| GTIN                  | 00785901412915             |
| Nbr. of units in pkg. | 1                          |
| Package weight(Lbs)   | 0.2 lb(US) (0.09 kg)       |
| Returnability         | Yes                        |
| Country of origin     | ID                         |

## Packing Units

|                              |                          |
|------------------------------|--------------------------|
| Unit Type of Package 1       | PCE                      |
| Package 1 Height             | 1.77 in (4.5 cm)         |
| Package 1 width              | 3.74 in (9.5 cm)         |
| Package 1 Length             | 5.12 in (13 cm)          |
| Unit Type of Package 2       | S03                      |
| Number of Units in Package 2 | 44                       |
| Package 2 Weight             | 8.58 lb(US) (3.894 kg)   |
| Package 2 Height             | 11.81 in (30 cm)         |
| Package 2 width              | 11.81 in (30 cm)         |
| Package 2 Length             | 15.75 in (40 cm)         |
| Unit Type of Package 3       | P06                      |
| Number of Units in Package 3 | 352                      |
| Package 3 Weight             | 88.74 lb(US) (40.252 kg) |
| Package 3 Height             | 30.31 in (77 cm)         |
| Package 3 width              | 23.62 in (60 cm)         |
| Package 3 Length             | 31.50 in (80 cm)         |

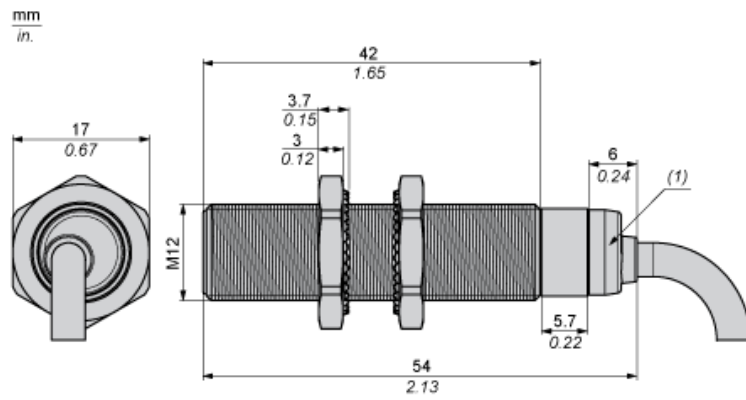
## Offer Sustainability

|                            |   |
|----------------------------|---|
| Sustainable offer status   | Green Premium product   |
| California proposition 65  | WARNING: This product can expose you to chemicals including: Diisononyl phthalate (DINP), which is known to the State of California to cause cancer, and Di-isodecyl phthalate (DIDP), which is known to the State of California to cause birth defects or other reproductive harm. For more information go to <a href="http://www.P65Warnings.ca.gov">www.P65Warnings.ca.gov</a> |
| REACH Regulation           | <a href="#">REACH Declaration</a>   |
| EU RoHS Directive          | Pro-active compliance (Product out of EU RoHS legal scope) <a href="#">EU RoHS Declaration</a>  |
| Mercury free               | Yes   |
| RoHS exemption information | <a href="#">Yes</a>   |
| Environmental Disclosure   | <a href="#">Product Environmental Profile</a>   |
| Circularity Profile        | <a href="#">End Of Life Information</a>   |

## Contractual warranty

|          |           |
|----------|-----------|
| Warranty | 18 months |
|----------|-----------|

Dimensions



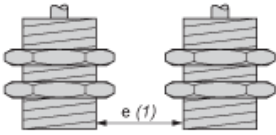
(1) LED

---

Minimum Mounting Distances

---

Side by side



e (1) 8 mm/0.31 in.

≥

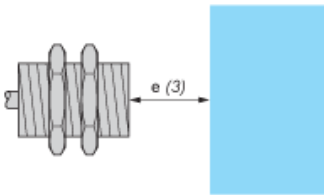
Face to face



e (2) 48 mm/1.89 in.

≥

Facing a metal object



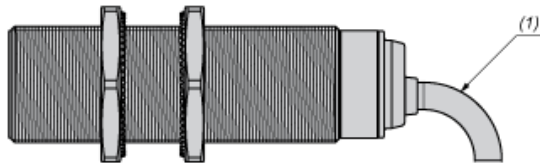
e (3) 12 mm/0.47 in.

≥

---

Mounting

---



(1) Bending cable: 4 x external cable diameter

---

## Wiring Schemes

---

### 2-Wire AC or DC

NO output



BU : Blue  
BN : Brown