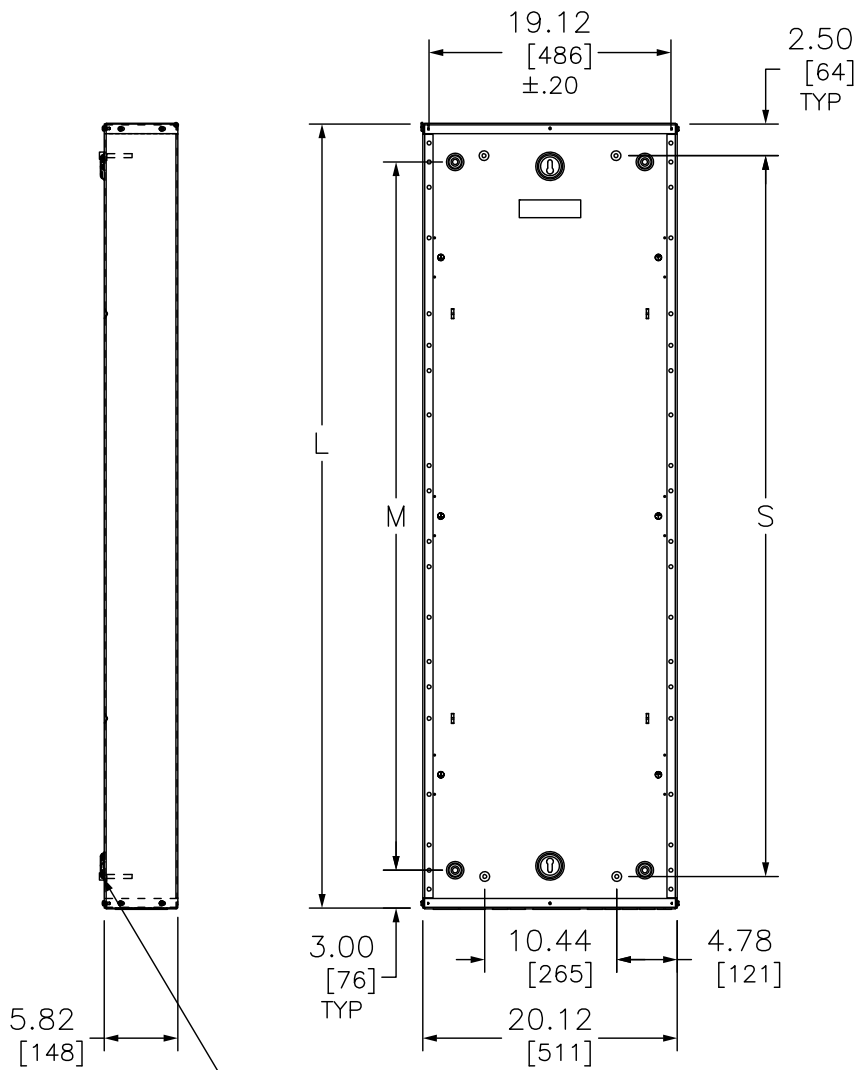


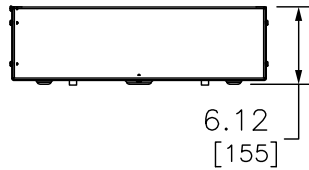
| REV | DESCRIPTION | BY | DATE | | | | |
|-----|-------------|-----|-------------|---|------|-----|-------------|
| - | ---- | --- | ---/---/--- | - | ---- | --- | ---/---/--- |



DIMPLES ARE
.30/[8] DEEP

DUAL DIMENSIONS: INCHES
MILLIMETERS

| REFERENCE CATALOG NO | L | | S | | M | |
|----------------------------|-------|------|-------|------|-------|------|
| | IN | MM | IN | MM | IN | MM |
| MH26BE | 26.00 | 660 | 21.00 | 533 | 20.00 | 508 |
| MH32BE | 32.00 | 813 | 27.00 | 686 | 26.00 | 660 |
| MH38BE | 38.00 | 965 | 33.00 | 838 | 32.00 | 813 |
| MH44BE | 44.00 | 1118 | 39.00 | 991 | 38.00 | 965 |
| MH50BE | 50.00 | 1270 | 45.00 | 1143 | 44.00 | 1118 |
| MH56BE | 56.00 | 1422 | 51.00 | 1295 | 50.00 | 1270 |
| MH62BE | 62.00 | 1575 | 57.00 | 1448 | 56.00 | 1422 |
| MH68BE | 68.00 | 1727 | 63.00 | 1600 | 62.00 | 1575 |
| MH74BE | 74.00 | 1880 | 69.00 | 1753 | 68.00 | 1727 |
| MH80BE | 80.00 | 2032 | 75.00 | 1905 | 74.00 | 1880 |
| MH86BE | 86.00 | 2184 | 81.00 | 2057 | 80.00 | 2032 |
| MH92BE | 92.00 | 2337 | 87.00 | 2210 | 86.00 | 2184 |



| | |
|----------------------|------------------------------|
| JOB NAME: ---- | EQUIPMENT DESIGNATION: ---- |
| JOB LOCATION: ---- | EQUIPMENT TYPE: NEMA 1 BOXES |
| DRAWN BY: ---- | DRAWING TYPE: ---- |
| ENGR: ---- | |
| DATE: JULY 2018 | |
| DRAWING STATUS: ---- | DWG# PBA601 |
| | PG 1 OF 1 |
| | REV - |