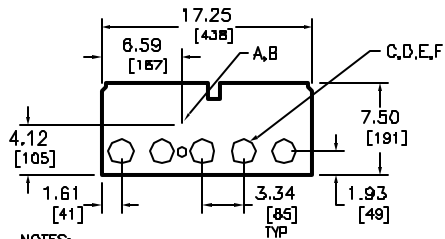
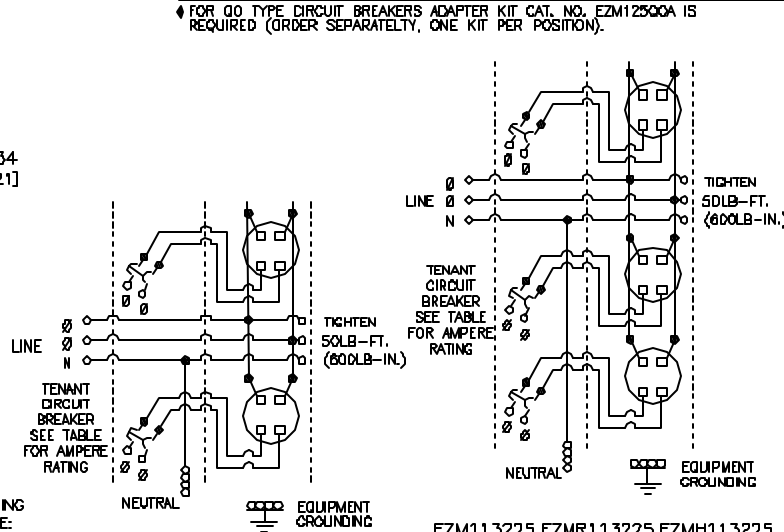
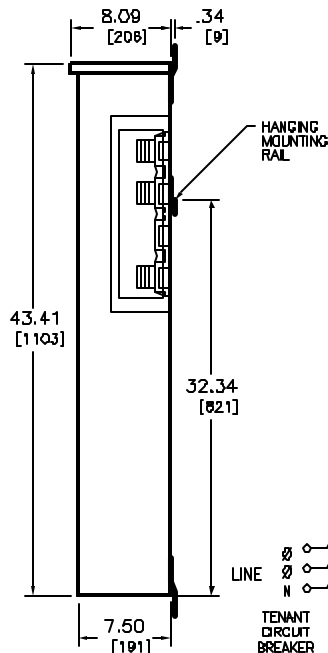


BRANCH UNIT AVAILABLE WITH ALL COPPER BUSSING ADD SUFFIX "CU" TO CATALOG NUMBER (EXAMPLE: EZM11225CU).



FOR METERING EQUIPMENT SHORT CIRCUIT CURRENT RATINGS REFER TO SQUARE D DIGEST 173, PAGE 2-9.

NOTES:
 FINISH - GRAY BAKED ENAMEL POWDER COAT PAINT OVER CLEANED GALVANNEALED STEEL
 UL LISTED - FILE E-131B40, VOL. M
 SUITABLE FOR USE AS SERVICE EQUIPMENT.
 MAIN HORIZONTAL CROSS BUS RATED AT 800 AMPERES.
 UNMETERED COMPARTMENTS ARE SEALABLE BY UTILITY.
 GANGABLE MULTI-METERING EQUIPMENT IS DESIGNED FOR WALL MOUNTING ONLY (NOT SUITABLE FOR FLOOR STANDING EQUIPMENT).

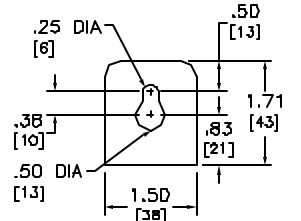


EZM112225,EZMR112225,EZMH112225

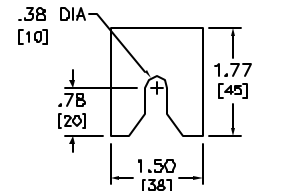
TENANT CIRCUIT BREAKERS (ORDER ONE PER SOCKET POSITION)			
TENANT CIRCUIT BREAKER (2-POLE)	AMPERE RATINGS MIN. - MAX.	SHORT CIRCUIT BREAKER RATING PWS SYMMETRICAL AMPERES MAX.	VOLTS MAX.
QO	40 - 125	10,000	120/240
QBP-TM	70 - 225	10,000	
QO-VH	40 - 60	22,000	
QDP-TM	70 - 225	25,000	
QGH	40 - 60	42,000	
QGP-TM	70 - 225	65,000	
QJP-TM	70 - 225	100,000	

FOR QO TYPE CIRCUIT BREAKERS ADAPTER KIT CAT. NO. EZM12500A IS REQUIRED (ORDER SEPARATELY, ONE KIT PER POSITION).

KNOCKOUTS		
SYMBOL	CONDUIT SIZE	
	IN	MM
A	.60	13
B	.75	19
C	1.00	25
D	1.25	32
E	1.50	38
F	2.00	51



TOP MOUNTING BRACKET



BOTTOM MOUNTING BRACKET

DUAL DIMENSIONS: INCHES MILLIMETERS

SYSTEM TYPE (IN)	SERVICE PROVIDED (DUT)	CATALOG NUMBER	METER SOCKET TYPE	NUMBER OF POSITIONS	TENANT CIRCUIT BREAKER (ORDER SEPARATELY)	NEUTRAL WIRE RANGE	EQUIPMENT GROUND LUG WIRE RANGE
1 Ø 3W 120/240VAC	1 Ø 3W 120/240VAC	EZN112225	4-JAW RING TYPE WITHOUT BYPASS	2	2-POLE SEE TABLE ABOVE	#6-300 KCMIL CU/AL	#14-2/0 KCMIL CU #12-2/0 KCMIL AL
		EZNR112225	5-JAW RINGLESS TYPE WITHOUT BYPASS				
		EZMH112225	5-JAW RINGLESS TYPE WITH HORN BYPASS				
		EZN113225	4-JAW RING TYPE WITHOUT BYPASS	3			
		EZMR113225	5-JAW RINGLESS TYPE WITHOUT BYPASS				
		EZMH113225	5-JAW RINGLESS TYPE WITH HORN BYPASS				

EZ METER-PAK GANGABLE MULTI-METERING EQUIPMENT
 225 MAX 1PH 3W METER SOCKET/CIRCUIT BREAKER
 2 AND 3-GANG BRANCH UNITS
 RAINPROOF NEMA TYPE 3R ENCLOSURES



DWG# 3293
 NO.