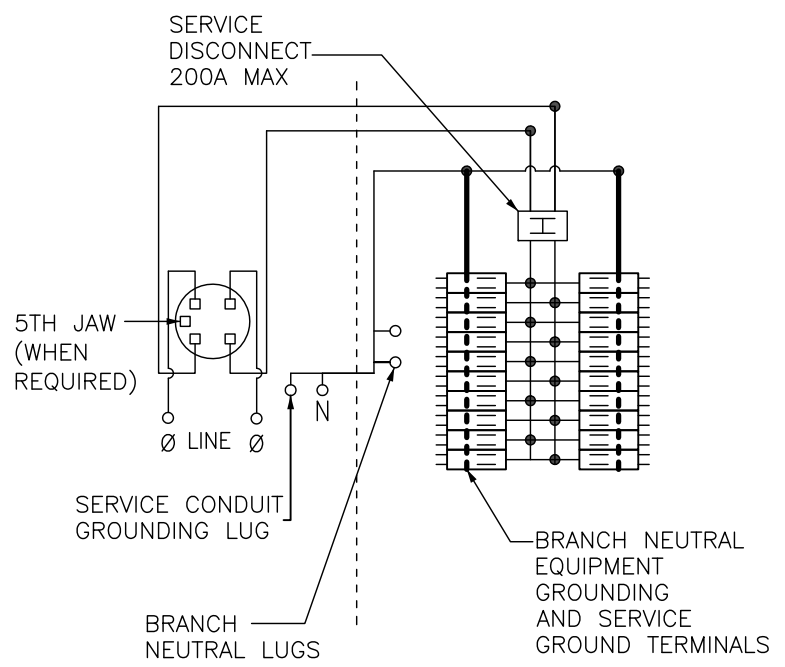


KNOCKOUTS		
SYMBOL	CONDUIT SIZE	
	IN	MM
A	.50	13
B	.75	19
C	1.00	25
D	1.25	32
E	1.50	38
F	2.00	51
G	2.50	64
H	3.00	76

MAIN CIRCUIT BREAKER 200A MAX.
BUS RATING 225A MAX.



5TH JAW (WHEN REQUIRED)
Ø LINE Ø N

● □ TWO SINGLE POLE, ONE PLUG-ON SPACE TYPE HOMT OR ONE SINGLE POLE TYPE HOM OR HOMP. TWO POLE TYPE HOM, HOMA OR HMT (15-110A) MAY PLUG ON TWO ADJACENT SPACES. TWO POLE TYPE HOMA (150-200A) MAY PLUG ON FOUR ADJACENT SPACES.

USE 15-110A AND 150-200A BRANCH BREAKERS ONLY TOTAL CIRCUIT BREAKERS HANDLE RATING NOT TO EXCEED 170A PER BRANCH CIRCUIT CONNECTOR.

A SQUARE D UL LISTED SECONDARY SURGE ARRESTER MAY PLUG ON TWO ADJACENT SPACES. ORDER CATALOG NO.HOM2175SB

SC2040M200PS

DUAL DIMENSIONS: INCHES MILLIMETERS

AMPERE RATING	BUS RATING (AMPS)	FACTORY INSTALLED BYPASS TYPE	SHORT CIRCUIT CURRENT RATING	CATALOG NUMBER	SERIES	SPACES	MAXIMUM NUMBER OF SINGLE POLE HOM CIRCUITS	LINE SIDE PHASE & NEUTRAL LUGS (AWG/KCMIL)	LARGE BRANCH NEUTRAL AWG
200	225	NONE	22K	SC2040M200PS	M01	20	40	#4-250 CU/AL	#14-2/0 CU/AL

NOTES:
FINISH - GRAY BAKED ENAMEL POWDER COAT PAINT OVER CLEANED GALVANNEALED STEEL.
MAXIMUM SYSTEM VOLTAGE: 120/240 VAC 1Ø 3W.
UL LISTED - FILE E-6294
SUITABLE ONLY FOR USE AS SERVICE EQUIPMENT.
SUITABLE FOR UNDERGROUND/OVERHEAD SERVICE.
MEETS EUSERC SPECIFICATIONS.

COMBINATION SERVICE ENTRANCE DEVICES RING TYPE RAINPROOF NEMA TYPE 3R ENCLOSURE SURFACE ONLY	 by Schneider Electric
DWG# PWFDS-SYRS-0088 NO.	