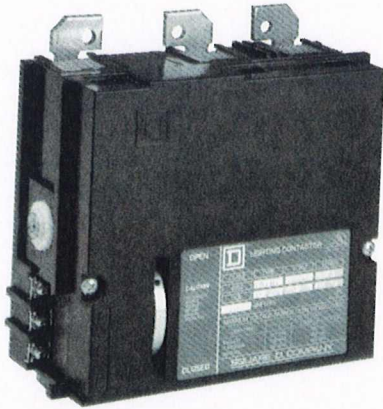


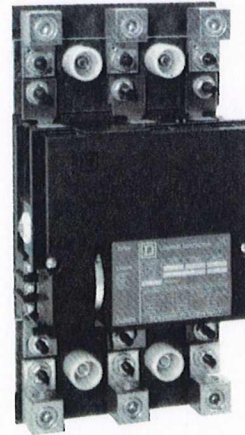
CLASS 8903 TYPE PB

Lighting Contactors



BUS MOUNT

AMPERE RATING	POLES	TYPE
30	2	PBM10B
	3	PBM11B
60	2	PBP10B
	3	PBP11B
75	2	PBN10B
	3	PBN11B
100	2	PBQ10B
	3	PBQ11B
150	2	PBR10B
	3	PBR11B
200	2	PBV10B
	3	PBV11B
225	2	PBW10B
	3	PBW11B



PANEL MOUNT

AMPERE RATING	POLES	TYPE
30	2	PBM10
	3	PBM11
60	2	PBP10
	3	PBP11
75	2	PBN10
	3	PBN11
100	2	PBQ10
	3	PBQ11
150	2	PBR10
	3	PBR11
200	2	PBV10
	3	PBV11
225	2	PBW10
	3	PBW11

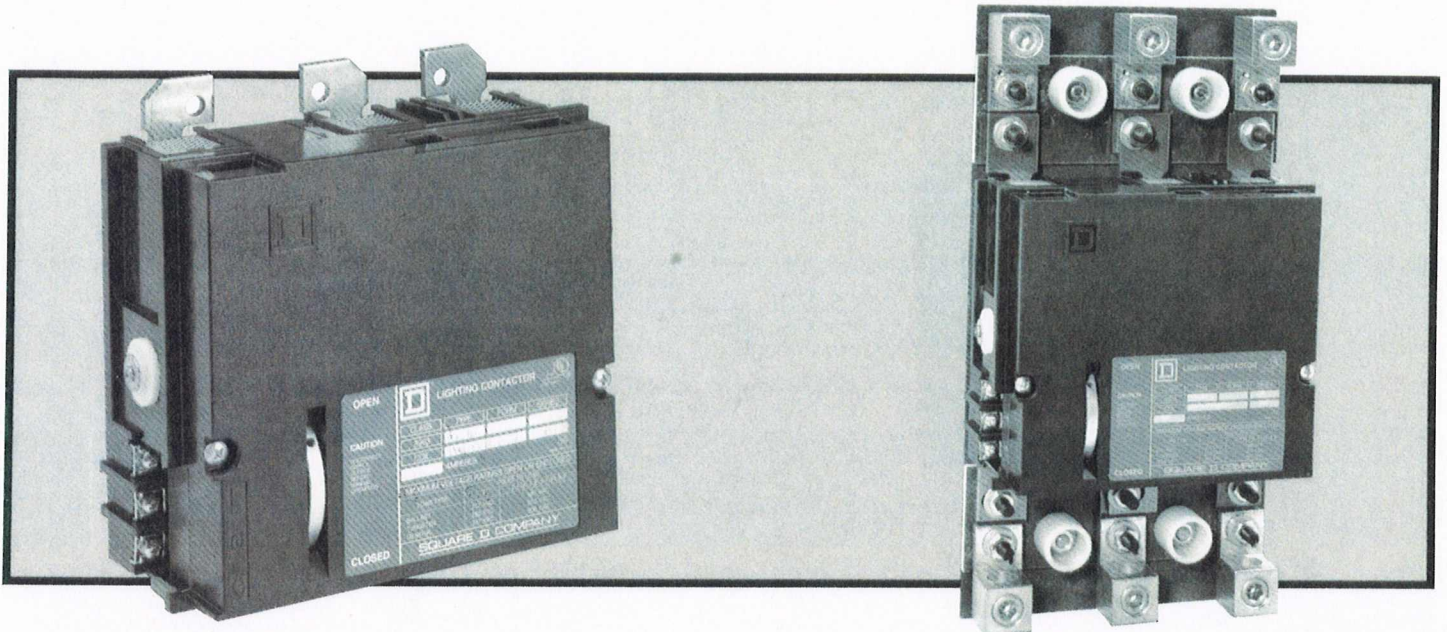
- New 65,000A withstand rating
- Low coil burden for long control distances
- Fits standard depth NQOD & NEHB lighting panelboards
- Fits industry standard mounting dimensions
- UL listed
- Mechanically held
- Panelboard type



SQUARE D

CLASS 8903 TYPE PB

Lighting Contactors



COIL INFORMATION (60 HZ)

CONTROL CIRCUIT VOLTAGE	MAXIMUM CURRENT (AMPS)	MINIMUM COIL CIRCUIT FUSE (AMPS)
120	12	15
208	12	15
240	10	15
277	10	15
480	5	15

MAXIMUM VOLTAGE RATINGS

TYPE OF LOAD	TYPE PBM - PBW 30-225 Amperes	
	WHEN CONNECTED 1 POLE TO LOAD	WHEN CONNECTED 2 POLES TO LOAD 10 AND 3 POLES TO LOAD ON 30
Tungsten	250 VAC	250 VAC
Ballast	277 VAC	480 VAC
General Use	347 VAC	600 VAC
Control Circuit (Coil) Voltage	120 - 480 VAC	

DISTANT CONTROL OF LIGHTING CONTACTORS

CONTACTOR RATING (AMPS)	WIRE GAUGE AWG	DISTANCE IN FEET				
		COIL VOLTAGE (60 HZ)				
		120V	208V	240V	277V	480V
30-225	14	550	1650	2200	2925	8800
	12	900	2700	3600	4700	14400
	10	1425	4275	5700	7550	22800

WITHSTAND RATINGS

CONTACTORS PROTECTED BY FUSIBLE DISCONNECT SWITCHES

Contactor Continuous Rating Amps	Fuse Rating	Maximum Voltage	Withstand Rating
30	Class J	600	100,000
60	Class J	600	100,000
75	Class J	600	100,000
100	Class J	600	100,000
150	Class J	600	100,000
200	Class J	600	100,000
225	Class J	600	100,000

CONTACTORS PROTECTED BY CIRCUIT BREAKERS

Contactor Continuous Rating Amps	Maximum C.B. Rating Amps	Recommended Square D Circuit Breaker	Maximum Voltage	Withstand Rating
30	40	FH-FHL	240	65,000
30	40	FH-FHL*	600	22,000*
60	80	FH-FHL	240	65,000
60	80	KA-KAL	600	22,000
75	100	FH-FHL	240	65,000
75	100	KA-KAL	600	22,000
100	125	KH-KHL	240	65,000
100	125	KA-KAL	600	22,000
150	200	KH-KHL	240	65,000
150	200	KA-KAL	600	22,000
200	250	KH-KHL	240	65,000
200	250	KA-KAL	600	22,000
225	300	LH-LHL	240	65,000
225	300	LA-LAL	600	22,000

*Withstand Rating equals 18,000 A when used with Sq. D FH-FHL at 600V

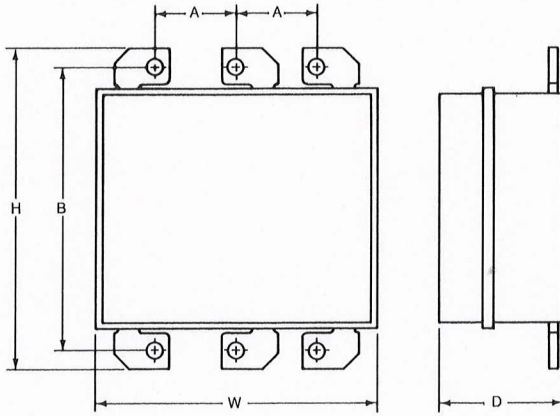
COMMON MODIFICATIONS FOR TYPE PB LIGHTING CONTACTORS

Description	Form Letter
Two Wire Control	R6
Three Wire Control for Long Distance Applications	R62
(1) Auxiliary Contact SPDT	X11
(2) Auxiliary Contacts SPDT	X22

WIRING TERMINALS

Ampere Rating	Type	Power Terminals On Lighting Contactor		Control Terminals On Lighting Contactor	
		Type of Lug	Wire Size Min.-Max.	Type of Lug	Wire Size Min.-Max.
30	PBM	Screw Lug	14 AWG - 1/0 AWG	Clamp	#14 - #10
60	PBP	Screw Lug	14 AWG - 1/0 AWG	Clamp	#14 - #10
75	PBN	Screw Lug	14 AWG - 1/0 AWG	Clamp	#14 - #10
100	PBQ	Screw Lug	14 AWG - 1/0 AWG	Clamp	#14 - #10
150	PBR	Screw Lug	4/0 AWG - 350 kcmil	Clamp	#14 - #10
200	PBV	Screw Lug	4/0 AWG - 350 kcmil	Clamp	#14 - #10
225	PBW	Screw Lug	4/0 AWG - 350 kcmil	Clamp	#14 - #10

DIMENSIONS

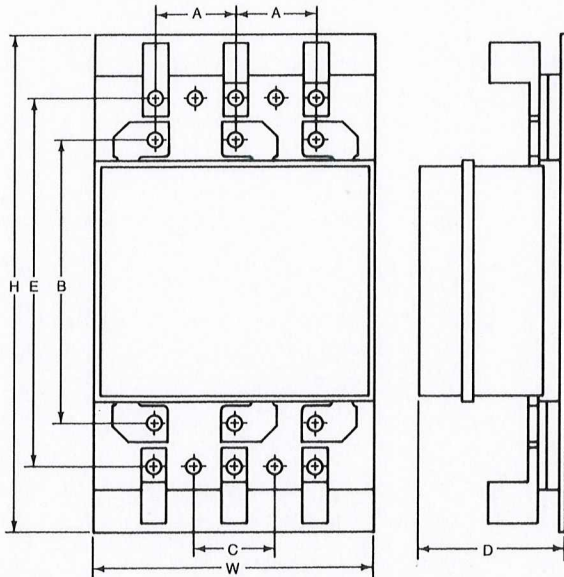


BUS MOUNT

AMPERE RATING	TYPE	NO. OF POLES	DIMENSIONS				
			H	W	D	A	B
30-100	PBM - PBQ	2 - 3	8.31 (211)	7.50 (191)	3.38 (86)	2.25 (57)	7.38 (187)
150-225	PBR - PBW	2 - 3	9.50 (241)	7.50 (191)	3.38 (86)	2.88 (73)	8.50 (216)

◆SLOTTED MOUNTING HOLES SUITABLE FOR 2.88 TO 3.19 MOUNTING CENTERS

Dual Dimensions: INCHES / Millimeters



PANEL MOUNT

AMPERE RATING	TYPE	NO. OF POLES	DIMENSIONS						
			H	W	D	A	B	C	E
30-100	PBM - PBQ	2 - 3	11.75 (298)	7.50 (191)	3.88 (98)	2.25 (57)	7.38 (187)	2.25 (57)	9.25 (234)
150-225	PBR - PBW	2 - 3	14.50 (368)	7.50 (191)	3.88 (98)	2.88 (73)	8.50 (216)	3.00 (76)	10.50 (266)

Dual Dimensions: INCHES / Millimeters



We Respond.[®]

SQUARE D COMPANY

Dedicated to Growth • Committed to Quality