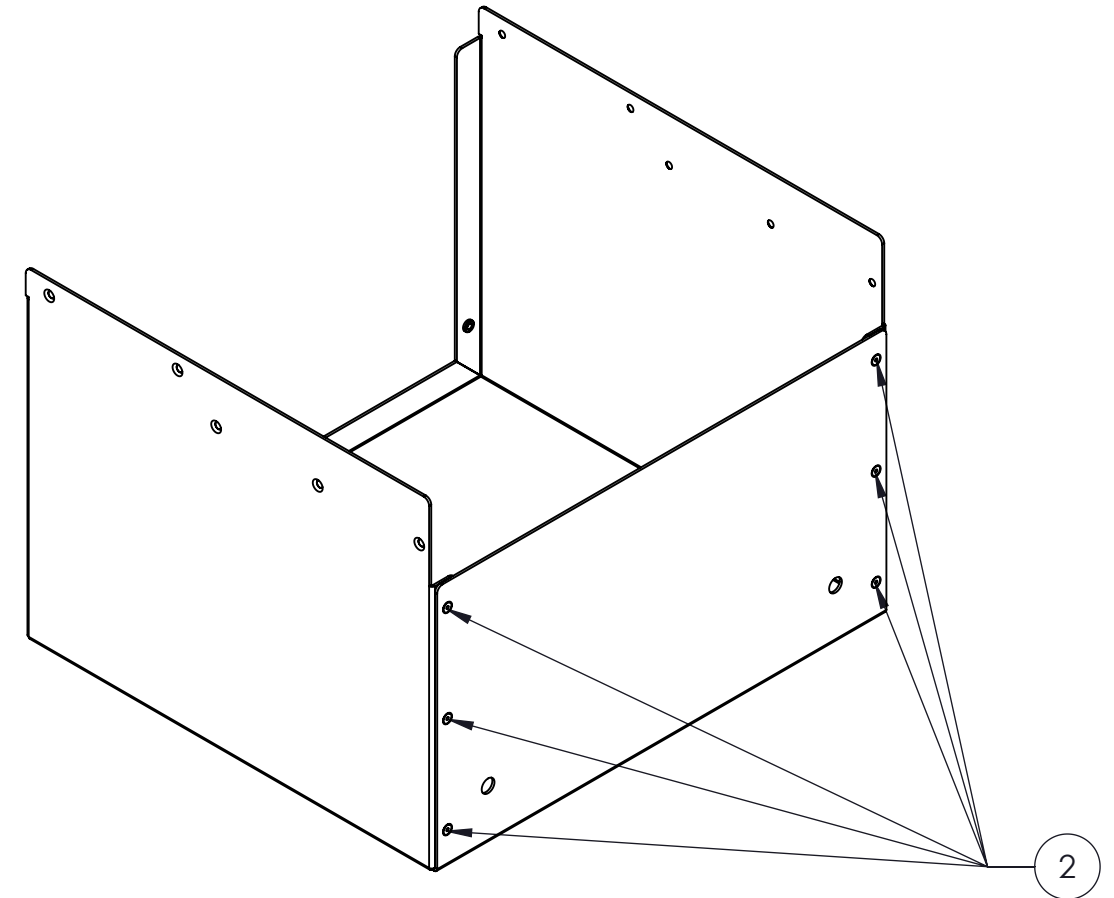
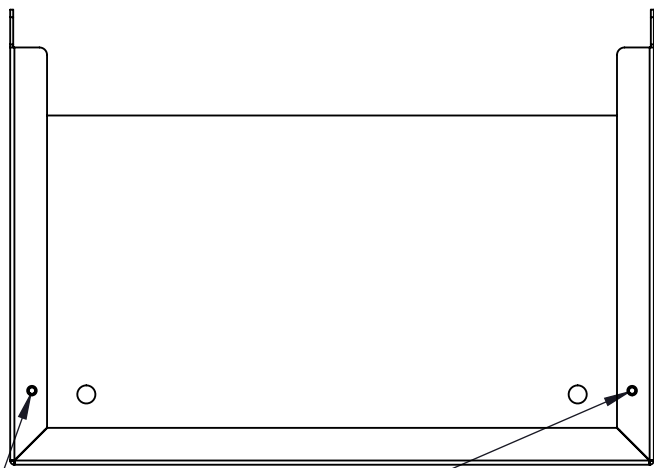


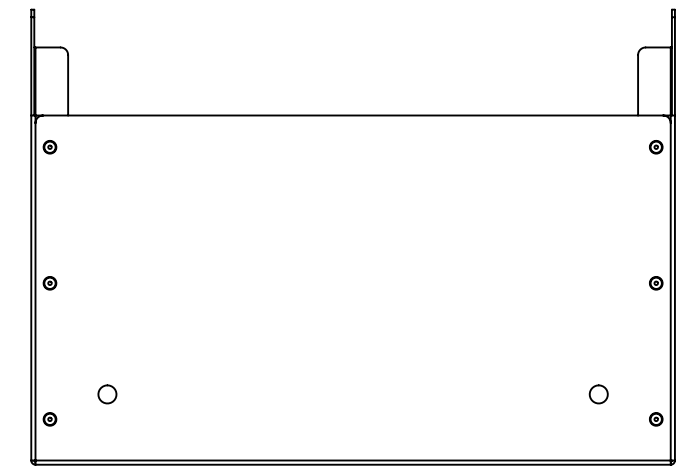
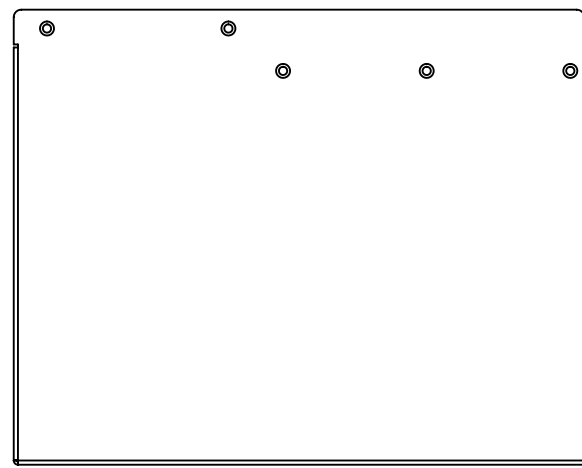
ITEM NO.	PART NUMBER	DESCRIPTION	Vendor	Default/ QTY.
1	60,120A TERMINAL BOX	120A TERMINAL KIT HOUSING	SEE SHEET 2	1
2	AK53H	#53 CLOSED END BLIND RIVET COUNTERSUNK HEAD STYLE	EMHART TEKNOLOGIES POP BRAND	6
3	PEM S-M5-2 ZI--N	SELF CLINCHING NUT M5x0.8 ZI	PENN ENGINEERING	2



INSERT 6 #53 CLOSED
END BLIND RIVETS



INSERT 2 PEM S-M5-2 FROM INSIDE

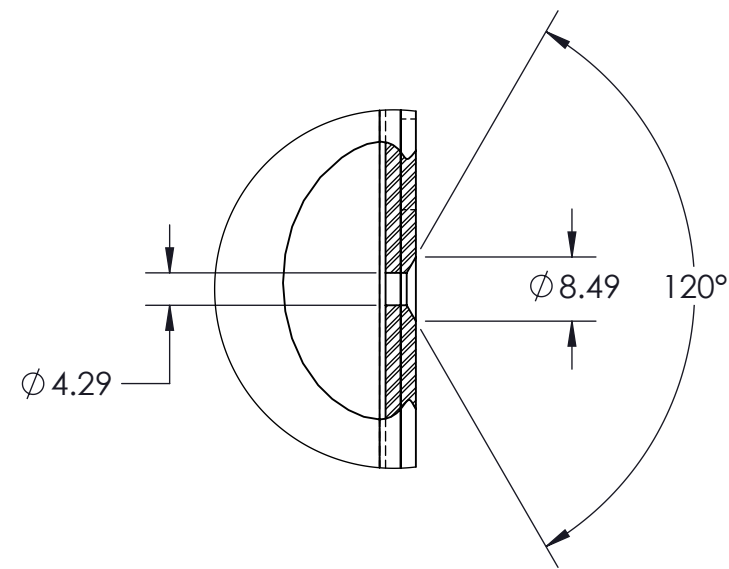


	Scale: N/A	Tolerancing Standard: NHA3078500 ISO8015	Units of Measure: mm
	120A TERMINAL KIT HOUSING 120A TERMINAL KIT HOUSING		
	Number: EAV1383001	Revision: 04	Sheet: 1 OF 2

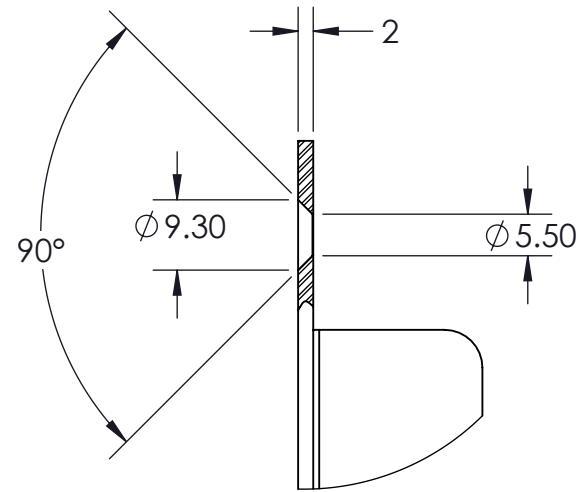
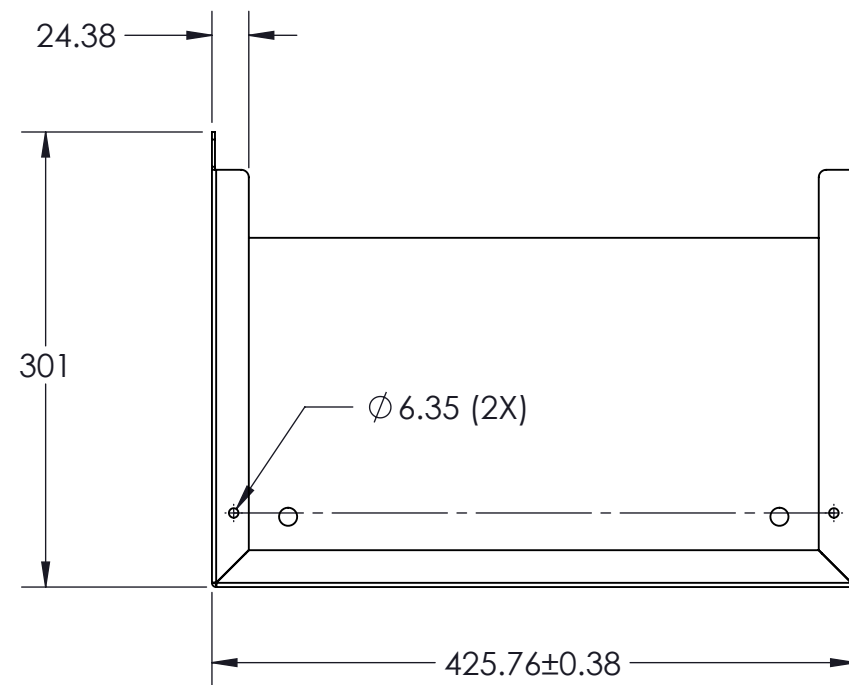
All information and data contained in this document are the exclusive property of Schneider Electric Industries SAS and may neither be used nor disclosed without its prior written consent.

State:

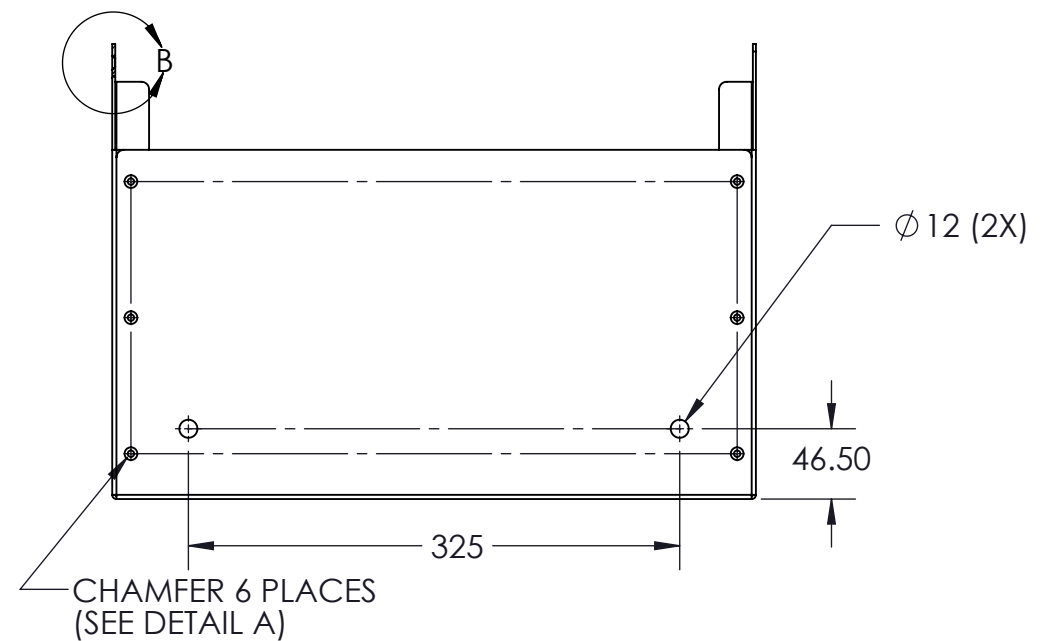
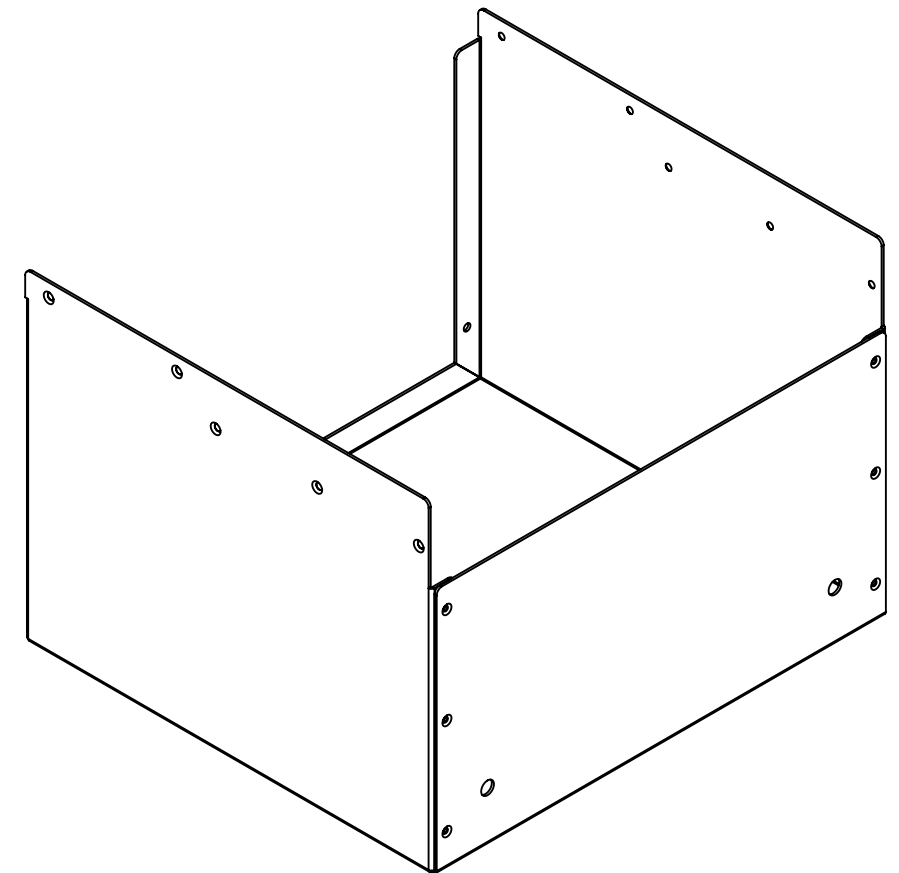
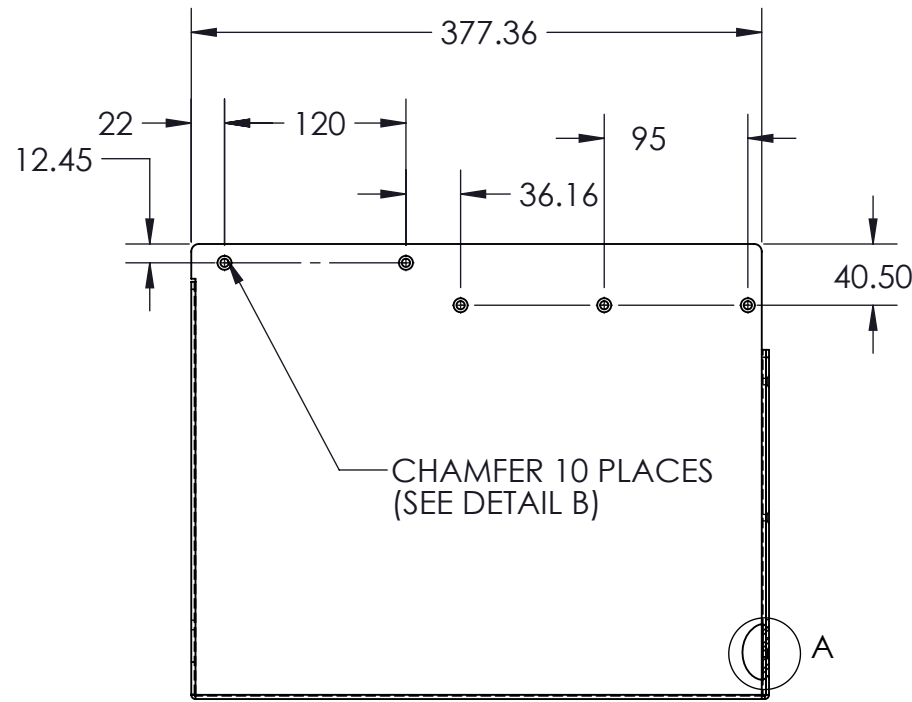
Released for Manufacturing
Printed on 2017/09/21



DETAIL A
SCALE 1 : 1



DETAIL B
SCALE 1 : 1



NOTES:

1. ALL MATERIALS TO BE ROHS COMPLIANT
2. BREAK AND DEBURR ALL SHARP EDGES
3. MATERIAL 14 GA GALVANIZED STEEL (2mm THICK)
4. .79 FOLD R

	Scale: N/A	Tolerancing Standard: NHA3078500 ISO8015	Units of Measure: mm
	120A TERMINAL KIT HOUSING 120A TERMINAL KIT HOUSING		
Number: EAV1383001		Revision: 04	Sheet: 2 OF 2

All information and data contained in this document are the exclusive property of Schneider Electric Industries SAS and may neither be used nor disclosed without its prior written consent.

State:

Released for Manufacturing
Printed on 2017/09/21