



### Main

|                                   |   |
|-----------------------------------|---|
| Range of product                  | OsiSense XM   |
| Pressure sensor type              | Electromechanical pressure sensor   |
| Pressure sensor name              | FYG   |
| Pressure sensor size              | 101.53 psi (7 bar)  |
| Fluid connection type             | G 1/4 (female) ISO 228  |
| Controlled fluid                  | Fresh water 32...158 °F (0...70 °C)<br>Sea water 32...158 °F (0...70 °C)                      |
| Cable entry                       | 2 entries incorporating Pg 13.5 plastic cable gland<br>0.35...0.51 in (9...13 mm) NF C 68-300 |
| Contacts type and composition     | 2 NC snap action  |
| Product specific application      | -   |
| Pressure switch type of operation | Regulation between 2 thresholds   |
| Line Rated Current                | 10 A 250 V AC EN 60730-1  |
| Electrical connection             | Screw-clamp terminals 1 x 1...2 x 2 mm <sup>2</sup>   |
| Short-circuit protection          | 20 A cartridge fuse gG  |
| Scale type                        | Adjustable differential   |
| Setting                           | Internal  |
| Local display                     | Without   |
| Electrical circuit type           | Power circuit   |

### Complementary

|   |   |
|---|---|
| Materials in contact with fluid                         | Nylon 6/6<br>Nitrile<br>Zinc plated steel   |
| Enclosure material                                      | PS  |
| Operating position                                      | Any position  |
| Motor power kW  | 0.75 KW 1 hp 110 V AC, 1 phase<br>1.1 KW 1.5 hp 110 V AC, 3 phase<br>1.5 KW 2 hp 230 V AC, 1 phase<br>1.5 KW 2 hp 400 V AC, 1 phase<br>2.2 KW 3 hp 230 V AC, 3 phase<br>2.2 kW 3 hp 400 V AC, 3 phase |
| Adjustable range of switching point on falling pressure | 7.25...78.32 psi (0.5...5.4 bar)  |
| Adjustable range of switching point on rising pressure  | 40.61...101.53 psi (2.8...7 bar)  |
| Possible differential minimum at low setting            | 17.40 psi (1.2 bar)   |
| Possible differential minimum at high setting           | 23.21 psi (1.6 bar)   |
| Possible differential maximum at low setting            | 33.36 psi (2.3 bar)   |
| Possible differential maximum at high setting           | 39.16 psi (2.7 bar)   |
| Maximum permissible accidental pressure                 | 217.56 psi (15 bar)   |
| Maximum permissible pressure - per cycle                | 126.91 psi (8.75 bar)   |
| Destruction pressure                                    | 290.08 psi (20 bar)   |
| Pressure actuator                                       | Diaphragm   |
| Electrical durability                                   | 100000 cycles 10 cyc/mn   |
| Mechanical durability                                   | 1000000 cycles  |
| Terminal block type                                     | 4 terminals   |

|   |                       |
|---|-----------------------|
| Possible differential minimum at middle setting | 20.31 psi (1.4 bar)   |
| Possible differential maximum at middle setting | 36.26 psi (2.5 bar)   |
| Maximum operating rate                          | 10 cyc/mn             |
| [Ui] rated insulation voltage                   | 500 V EN/IEC 60947-1  |
| [Uimp] rated impulse withstand voltage          | 6 kV EN/IEC 60947-1   |
| Net Weight                                      | 0.75 lb(US) (0.34 kg) |
| Repeat accuracy                                 | 2 %                   |
| Terminals description ISO n°1                   | (3-4)NC<br>(1-2)NC    |
| Maximum Depth                                   | 4.17 in (106 mm)      |
| Maximum Height                                  | 4.53 in (115 mm)      |
| Maximum Width                                   | 2.83 in (72 mm)       |

## Environment

|                                       |                            |
|---------------------------------------|----------------------------|
| Standards                             | EN/IEC 60730<br>CE         |
| Ambient air temperature for operation | 32...113 °F (0...45 °C)    |
| Ambient air temperature for storage   | -22...176 °F (-30...80 °C) |
| Protective treatment                  | TC                         |
| Electrical shock protection class     | Class I IEC 536            |
| IP degree of protection               | IP65 EN/IEC 60529          |

## Ordering and shipping details

|                     |                                    |
|---------------------|------------------------------------|
| Category            | 22661-XMLA,B,C,D PRESSURE SWITCHES |
| Discount Schedule   | DS2                                |
| GTIN                | 03389118228405                     |
| Package weight(Lbs) | 0.88 lb(US) (0.400 kg)             |
| Returnability       | No                                 |
| Country of origin   | MX                                 |

## Packing Units

|                  |          |
|------------------|----------|
| Package 1 Height | 0.800 dm |
| Package 1 width  | 1.100 dm |
| Package 1 Length | 1.150 dm |

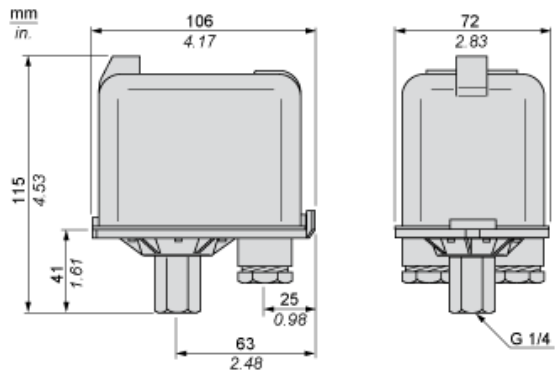
## Offer Sustainability

|                            |  |
|----------------------------|--|
| Sustainable offer status   | Green Premium product  |
| California proposition 65  | WARNING: This product can expose you to chemicals including: Di-isodecyl phthalate (DIDP) and Diisononyl phthalate (DINP) which is known to the State of California to cause Carcinogen and Reproductive harm. For more information go to <a href="http://www.p65warnings.ca.gov">www.p65warnings.ca.gov</a> |
| REACH Regulation           | <a href="#">REACH Declaration</a>  |
| EU RoHS Directive          | Pro-active compliance (Product out of EU RoHS legal scope) <a href="#">EU RoHS Declaration</a>   |
| Mercury free               | Yes  |
| RoHS exemption information | <a href="#">Yes</a>  |
| Environmental Disclosure   | <a href="#">Product Environmental Profile</a>  |
| Circularity Profile        | <a href="#">End Of Life Information</a>  |

## Contractual warranty

|          |           |
|----------|-----------|
| Warranty | 18 months |
|----------|-----------|

Dimensions



---

## Wiring Diagram

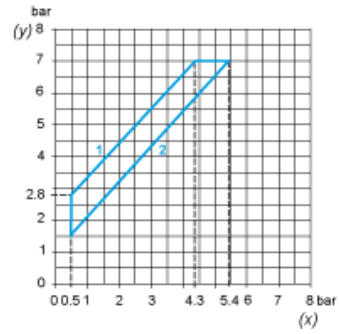
---

### Connections

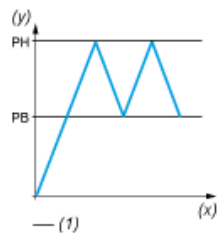


Curves

Operating Curves



- (y) Rising pressure
- (x) Falling pressure
- 1 : Maximum differential
- 2 : Minimum differential



- (y) Pressure
- (x) Time
- (1) Adjustable value