

Data Bulletin

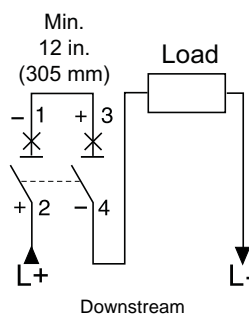
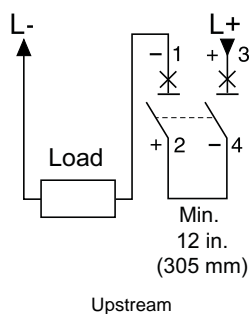
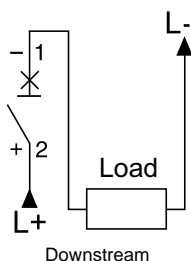
C60H-DC UL1077 Supplementary Protectors (DC) Class 0860

Description

C60H-DC supplementary protectors are designed to provide overcurrent protection within appliances or electrical equipment, where a branch circuit protection is already provided or not required. Devices are designed for direct current (DC) control circuit applications.

Features:

- 1- and 2-Pole Construction
- 0.5–63 A (up to 40 A in UL 1077)
- DC Voltage
Nominal: 1-pole 250 Vdc, 2-pole 500 Vdc
Operating Voltage: 1-Pole 12–250 Vdc, 2-Pole 12–500 Vdc
High Voltage Withstand (Uimp): 6 kV
- Trip-Free Mechanism
Contacts cannot be held in the I-ON position when the supplementary protector is tripped automatically.
- Positive Break Indication
Along with the international I/O markings, a green mechanical indication on the front face of the supplementary protector shows that all poles are open.
- Fast Closing
Allows increased service life of the supplementary protectors.
- Limits Let-Through Current
Prevents loads from getting destroyed during short circuit by fast opening of the contacts.
- Endurance (O-C)
 - Electrical
3,000 cycles (where L/R=2ms)
6,000 cycles where the circuit is resistive
 - Mechanical
20,000 cycles
- Thermal-Trip Element
Thermal-trip elements are factory calibrated at 25°C/77°F
- Magnetic-Trip Element
Curve C: Magnetic release operates between 7 and 14 times ampere rating.
- Compliance with International Standards
 - UL1077
 - IEC 60947-2
 - EN 60947-2
 - CCC / GB 14048.2
 - CE marked



NOTE: Failure to match polarity during connection may lead to a fire hazard and/or serious injury.

- The connection polarity must be observed (marked on the front panel).
- Use only with direct current.
- If two poles are used in series, use at least a 12 inch / 30 cm cable.

- System Accessories and Electrical Auxiliaries
Same as used in Multi 9 C60 range (see 0860CT0201 for details).
- Mounting and Connections
 - DIN-Rail Mounting
 - Standard box lug connection and optional field-installable ring tongue terminal kit.

Table 1: Interrupting Ratings

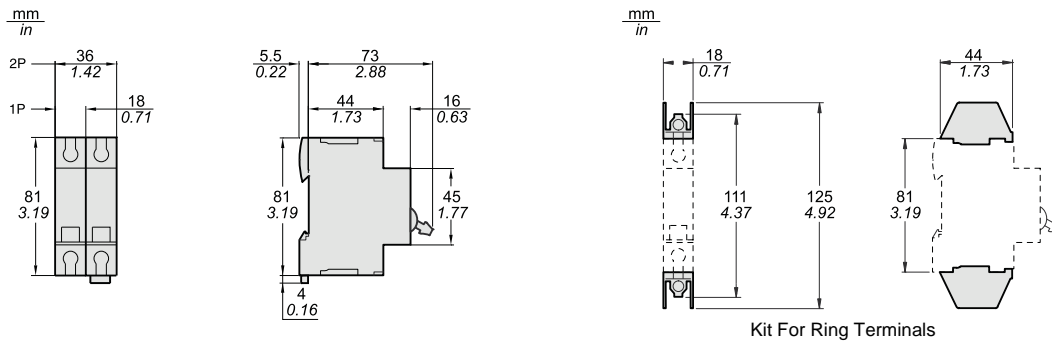
1-Pole		2-Pole	
UL 1077	IEC 60947-2	UL 1077	IEC 60947-2
	EN 60947-2		EN 60947-2
	GB 14048.2		GB 14048.2
5 kA/250 Vdc	20 kA/ 110 Vdc	5 kA/500 Vdc	20 kA/ 220 Vdc
	10 kA/ 220 Vdc		10 kA/ 440 Vdc
	6 kA/ 250 Vdc		6 kA/ 500 Vdc

Table 2: Catalog Numbers

Ampere Rating	1-Pole	2-Pole
0.5	MGN61500	MGN61520
1	MGN61501	MGN61521
2	MGN61502	MGN61522
3	MGN61503	MGN61523
4	MGN61504	MGN61524
5	MGN61505	MGN61525
6	MGN61506	MGN61526
10	MGN61508	MGN61528
13	MGN61509	MGN61529
15	MGN61510	MGN61530
16	MGN61511	MGN61531
20	MGN61512	MGN61532
25	MGN61513	MGN61533
30	MGN61514	MGN61534
32	MGN61515	MGN61535
40	MGN61517	MGN61537
50*	MGN61518	MGN61538
63*	MGN61519	MGN61539

*Available only in IEC/EN/GB

Dimensions



Schneider Electric USA
3700 6th Street S.W.
Cedar Rapids, IA 52404 USA
1-888-SquareD (1-888-778-2733)
www.us.SquareD.com

Electrical equipment should be installed, operated, serviced, and maintained only by qualified personnel. No responsibility is assumed by Schneider Electric for any consequences arising out of the use of this material.