

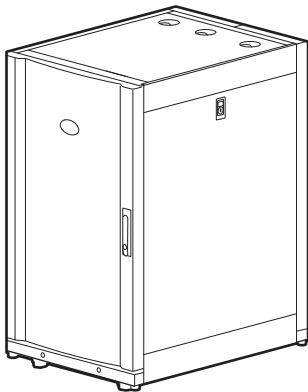
# Unpacking, Installation and Customization Manual

## NetShelter™ AV 24U Cabinet

AR3814

990-4300B-001

Publication Date: May 2019



**APC**<sup>™</sup>

by **Schneider** Electric

## **APC by Schneider Electric Legal Disclaimer**

The information presented in this manual is not warranted by APC by Schneider Electric to be authoritative, error free, or complete. This publication is not meant to be a substitute for a detailed operational and site specific development plan. Therefore, APC by Schneider Electric assumes no liability for damages, violations of codes, improper installation, system failures, or any other problems that could arise based on the use of this Publication.

The information contained in this Publication is provided as is and has been prepared solely for the purpose of evaluating data center design and construction. This Publication has been compiled in good faith by APC by Schneider Electric. However, no representation is made or warranty given, either express or implied, as to the completeness or accuracy of the information this Publication contains.

**IN NO EVENT SHALL APC BY SCHNEIDER ELECTRIC, OR ANY PARENT, AFFILIATE OR SUBSIDIARY COMPANY OF APC BY SCHNEIDER ELECTRIC OR THEIR RESPECTIVE OFFICERS, DIRECTORS, OR EMPLOYEES BE LIABLE FOR ANY DIRECT, INDIRECT, CONSEQUENTIAL, PUNITIVE, SPECIAL, OR INCIDENTAL DAMAGES (INCLUDING, WITHOUT LIMITATION, DAMAGES FOR LOSS OF BUSINESS, CONTRACT, REVENUE, DATA, INFORMATION, OR BUSINESS INTERRUPTION) RESULTING FROM, ARISING OUT, OR IN CONNECTION WITH THE USE OF, OR INABILITY TO USE THIS PUBLICATION OR THE CONTENT, EVEN IF APC BY SCHNEIDER ELECTRIC HAS BEEN EXPRESSLY ADVISED OF THE POSSIBILITY OF SUCH DAMAGES. APC BY SCHNEIDER ELECTRIC RESERVES THE RIGHT TO MAKE CHANGES OR UPDATES WITH RESPECT TO OR IN THE CONTENT OF THE PUBLICATION OR THE FORMAT THEREOF AT ANY TIME WITHOUT NOTICE.**

Copyright, intellectual, and all other proprietary rights in the content (including but not limited to software, audio, video, text, and photographs) rests with APC by Schneider Electric or its licensors. All rights in the content not expressly granted herein are reserved. No rights of any kind are licensed or assigned or shall otherwise pass to persons accessing this information.

This Publication shall not be for resale in whole or in part.

# Table of Contents

---

- Introduction ..... 1**
- Important Safety Information ..... 2**
  - Safety Instructions for the NetShelter AV 24 U Cabinet. .... 3
  - Labels ..... 3
- Unpack the Cabinet ..... 4**
  - Disclaimer ..... 4
  - Inspection ..... 4
  - Please Recycle ..... 4
  - Procedure ..... 5
  - ..... 5
- Component Identification..... 6**
  - Hardware Bag ..... 7
  - Required Tools (not provided) ..... 7
- Preparation ..... 8**
  - Move the Cabinet ..... 8
  - Level the Cabinet ..... 9
  - Join the Cabinets ..... 10
  - Stabilization Options ..... 11
  - Ground the Cabinet ..... 12
- Cabinet Installation ..... 13**
  - Side Panels ..... 13
  - Roof ..... 13
  - Doors ..... 14
    - Door removal ..... 14
    - Door installation ..... 15
    - Front door reversal ..... 16
- Equipment Installation ..... 18**
  - Vertical Mounting Rails ..... 18
    - Adjust the vertical mounting rails ..... 19
  - Install Equipment in the Cabinet ..... 20

<b>Completing the Installation .....</b>	<b>21</b>
<b>Cable Routing and Cable Management .....</b>	<b>21</b>
Vertical 0 U Accessory Channels .....	21
Rear Door Cable Containment Bracket .....	21
<b>Plug and Cover Installation Locations .....</b>	<b>22</b>
<b>Specifications .....</b>	<b>23</b>
<b>Five-Year Factory Warranty .....</b>	<b>24</b>
Terms of Warranty .....	24
Non-transferable Warranty .....	24
Exclusions .....	24
Warranty Claims .....	25

# Introduction

---

The APC by Schneider Electric NetShelter™ AV Cabinet is a high-quality cabinet for storage of industry-standard (EIA-310), 19 in rack-mount hardware, which includes servers, voice, data, networking, security, audio-visual, and power protection equipment.

This manual covers the NetShelter AV 24U 600 mm Wide x 825 mm Deep Cabinet with Sides and 10-32 Threaded Rails (AR3814).

For a complete list of accessories and more information, see the applicable product page on **[www.apc.com](http://www.apc.com)**.

# Important Safety Information

---

Read the instructions carefully to become familiar with the device before trying to install, operate, service or maintain it. The following messages may appear throughout this manual or on the equipment to warn of potential hazards or to call attention to information that clarifies or simplifies a procedure.



The addition of this symbol to a Danger or Warning safety label indicates that an electrical hazard exists which will result in personal injury if the instructions are not followed.



This is the safety alert symbol. It is used to alert you to potential personal injury hazards. Obey all safety messages that follow this symbol to avoid possible injury or death.

## **DANGER**

**DANGER** indicates an imminently hazardous situation which, if not avoided, **will result in** death or serious injury.

## **WARNING**

**WARNING** indicates a potentially hazardous situation which, if not avoided, **can result in** death or serious injury.

## **CAUTION**

**CAUTION** indicates a potentially hazardous situation which, if not avoided, **can result in** minor or moderate injury.

## **NOTICE**

**NOTICE** addresses practices not related to physical injury including certain environmental hazards, potential damage or loss of data.

# Safety Instructions for the NetShelter AV 24 U Cabinet

This manual contains important instructions that must be followed during the installation and customization of the cabinet.

## **⚠ WARNING**

### **TIP HAZARD**

- This cabinet is easily tipped. Use extreme caution when unpacking or moving.
- Push the cabinet from the front or back when moving on casters.
- Before moving the cabinet on its casters, load 158 kg (350 lb) of equipment into the bottom of the cabinet for extra stability.
- Make sure the leveling feet are up when moving the cabinet on its casters.

**Failure to follow these instructions can result in death, serious injury, or equipment damage.**

## **⚠ WARNING**

### **HEAVY EQUIPMENT HAZARD**

Use at least two people to unpack the cabinet.

**Failure to follow these instructions can result in death, serious injury, or equipment damage.**

## Labels

Look for additional safety information affixed to the cabinet. See “Labels” on page 8 for more information.

# Unpack the Cabinet

---

## Disclaimer

APC by Schneider Electric is not responsible for damage sustained during reshipment of this product.

## Inspection

Inspect the packaging and contents for shipping damage. Make sure that all parts are accounted for. Report any damage immediately to the shipping agent. Report missing contents, damage, or other problems immediately to APC by Schneider Electric or your reseller.

## Please Recycle



The shipping materials are recyclable. Save them for later use, or dispose of them appropriately.



## Procedure

### **⚠ WARNING**

#### **TIP HAZARD**

- This cabinet is easily tipped. Use extreme caution when unpacking or moving.
- Push the cabinet from the front or back when moving on casters.
- Before moving the cabinet on its casters, load 158 kg (350 lb) of equipment into the bottom of the cabinet for extra stability.
- Make sure the leveling feet are up when moving the cabinet on its casters.

**Failure to follow these instructions can result in death, serious injury, or equipment damage.**

### **⚠ WARNING**

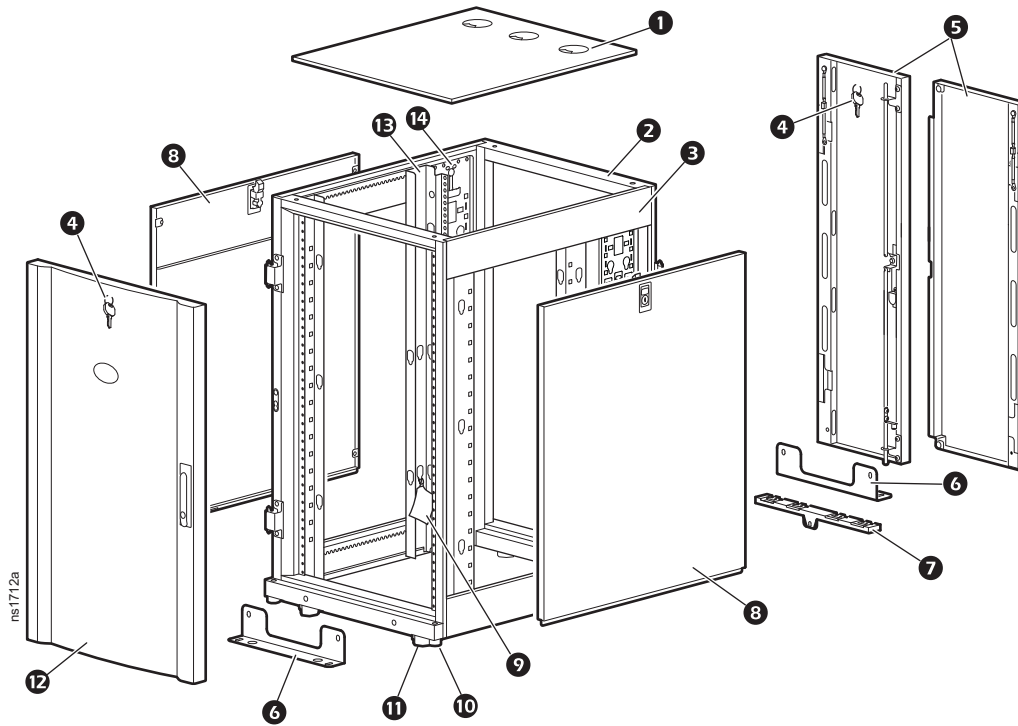
#### **HEAVY EQUIPMENT HAZARD**

Use at least two people to unpack the cabinet.

**Failure to follow these instructions can result in death, serious injury, or equipment damage.**

1. Move the shipping pallet to a firm, level surface in an open area.
2. See the label on the packaging to determine where to cut the wrapping. Using sturdy shears or a utility knife, carefully remove the plastic stretch wrap surrounding the cabinet.
3. Remove the four cardboard corner protectors.
4. Using a 13 mm wrench (not provided) or similar, remove the two pallet-mounting brackets with mounting hardware that anchor the cabinet to the shipping pallet.  
**NOTE:** Save the pallet-mounting brackets if you plan to bolt the cabinet to the floor.
5. With one qualified person on each side of the cabinet, carefully roll it toward the rear of the pallet until the rear casters clear the back edge of the pallet. Continue to slide the cabinet until the rear casters touch the floor. While one qualified person tips the cabinet slightly away from the pallet, carefully have the other person pull the pallet away from the cabinet. Set the cabinet gently on its casters.

# Component Identification



- |  |   |
|--|---|
| ❶ Roof with cable access (AR7214)      | ❸ Removable side panel with lock (AR7376)       |
| ❷ Cabinet frame                        | ❹ Hardware Bag (page 7)                         |
| ❸ Side brace                           | ❺ Adjustable leveling feet                      |
| ❹ Key for doors and side panels        | ❻ Caster  |
| ❺ Removable rear split doors (WAR7104) | ❼ Removable and reversible front door (WAR7004) |
| ❻ Pallet/Bolt-down bracket             | ❼ Vertical mounting rail                        |
| ❼ Rear door cable containment bracket  | ❼ Adjustable vertical 0 U accessory channel     |

## Hardware Bag



5 mm hole  
plugs (5)



#10-32  
screws (60)



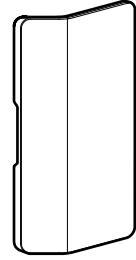
M5 x 12  
screws (4)



7 mm hole  
plugs (4)



TORX® T30/#2  
Phillips wrench (1)

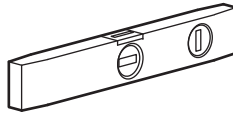


Frame handle  
cutout cover (2)

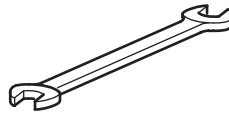
## Required Tools (not provided)



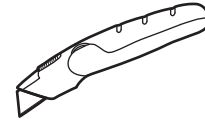
Phillips screwdriver



Level



10 mm / 13 mm  
open-ended wrench



Utility knife

# Preparation

## Move the Cabinet

### ⚠ WARNING

#### TIP HAZARD

- This cabinet is easily tipped. Use extreme caution when unpacking or moving.
- Use at least two people to unpack and move the cabinet.
- Before moving the cabinet on its casters, load 158 kg (350 lb) of equipment into the bottom of the cabinet for extra stability.
- When moving the cabinet on its casters, make sure the leveling feet are up and push the cabinet from the front or rear.

**Failure to follow these instructions can result in death, serious injury, or equipment damage.**



1



2

**Labels:** The following labels can be found on the cabinet, and serve to communicate the following information:

Label 1: Generic Tip Hazard

Label 2: Extend Slide-Mounted Hardware One Piece at a Time. Do not extend loaded top-mounted sliding hardware unless the cabinet is secured to the floor.

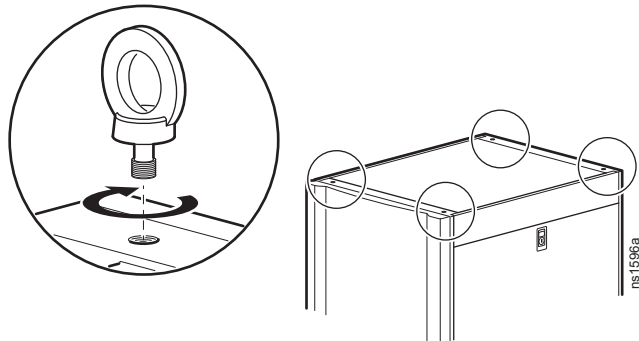
**Casters:** The cabinet can be moved on its casters with up to 1020 kg (2,250 lb) of equipment installed. Once in place, lower the leveling feet. With the leveling feet lowered, the static cabinet can be loaded to 1364 kg (3,000 lb).

**NOTE:** See label 3 (to the right) for an example of the weight limits for casters and leveling feet label.



3

**Eye bolts:** The cabinet can be lifted using eye bolts with up to 567 kg (1,250 lbs) of equipment installed. Use M10 eye bolts with a shoulder rated for 181 kg (400 lbs).



## Level the Cabinet

**NOTE:** The leveling feet at the corners of the equipment provide a stable base if the floor is uneven, but they cannot compensate for a badly sloped surface.

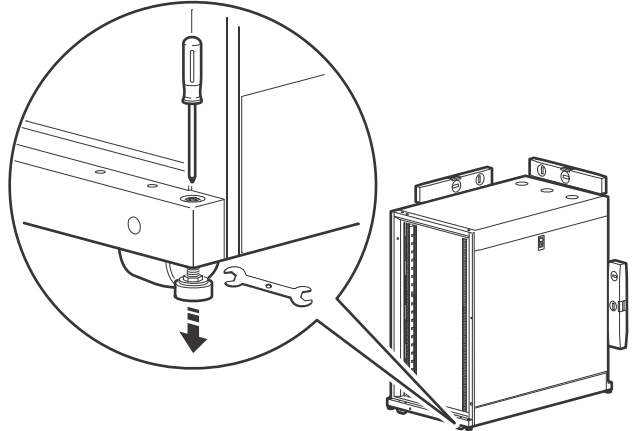
1. Ensure the cabinet is in its intended location. Remove the front and rear doors. See “Door removal” on page 14 for instructions.

**NOTE:** Before removing the front door, unplug the ground wires and any other wire connections that may interfere with the removal of the doors.

2. Insert a Phillips head screwdriver into the screw above the leveling foot. Turn the screw clockwise to extend the leveling foot until it makes firm contact with the floor.

**NOTES:**

- This method works best with an empty, or near empty cabinet.
- If the cabinet is loaded with equipment, a 13 mm open-ended wrench can also be used to lower the leveling feet.
- Door removal is not required if using the 13 mm open-ended wrench.



3. Adjust each foot and, using a level, adjust the feet until the cabinet is level and plumb.
4. If desired, join the cabinets. See “Join the Cabinets” on page 10.
5. If desired, install the front and rear doors. See “Door installation” on page 15.

### **⚠ ⚠ DANGER**

#### **HAZARD OF ELECTRIC SHOCK**

When installing the doors, remember to reconnect all ground and other connection wires.

**Failure to follow these instructions will result in death or serious injury.**

## Join the Cabinets

Join two or more cabinets together using the supplied joining hardware. Joining cabinets together may assist in alignment and provide limited increased stability.

**NOTE:** Cabinets can be joined with or without side panels installed.

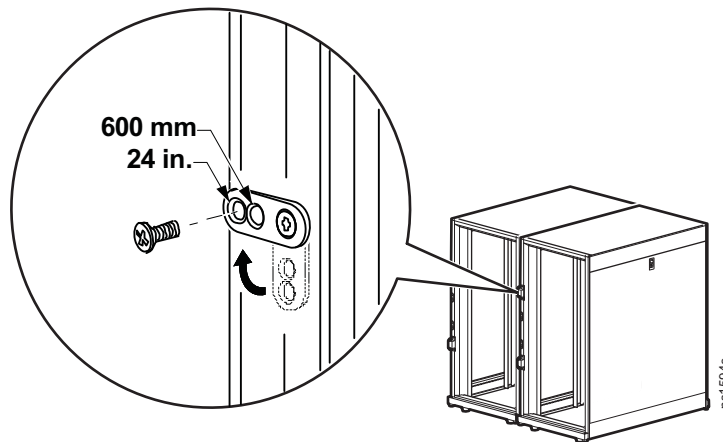
### **⚠ WARNING**

#### **TIP HAZARD**

Joining cabinets provides limited stability to the cabinets. Secure the cabinet to the floor before installing equipment.

**Failure to follow these instructions can result in death or serious injury.**

1. Make sure that the leveling feet are down and the cabinets are level. See “Level the Cabinet” on page 9.
2. Remove the front and rear doors, if applicable. See “Door removal” on page 14.
3. Locate the joining brackets. Choose between 24 in centers or 600 mm centers (see the detail view below).



4. Align the cabinets and join them using one M5 x 12 flat-head screw (provided in the hardware bag) per bracket. There are two brackets for the front and two brackets for the rear.
5. If desired, reinstall the doors. See “Door installation” on page 15 for more information.

### **⚠ ⚠ DANGER**

#### **HAZARD OF ELECTRIC SHOCK**

When installing the doors, remember to reconnect all ground and other connection wires.

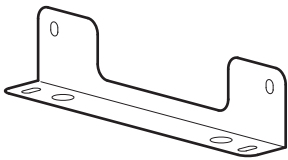
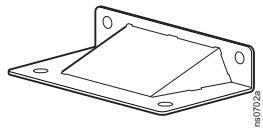
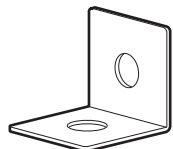
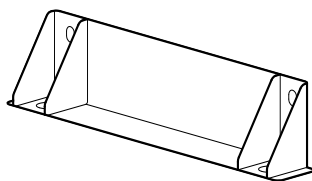
**Failure to follow these instructions will result in death or serious injury.**

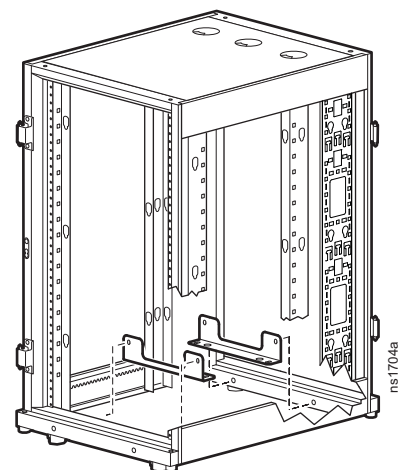
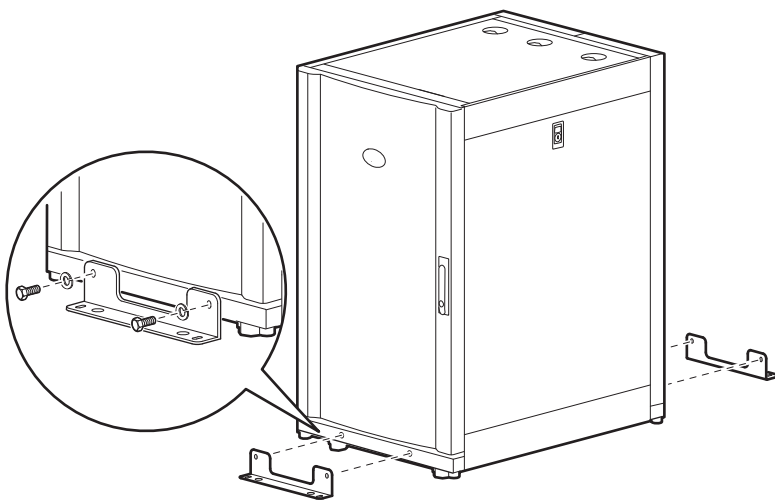
# Stabilization Options

Hardware options are available to provide additional stabilization to the installation. The cabinet can be bolted to the floor internally or externally, as shown below.

See [www.apc.com](http://www.apc.com) for all available options.

**NOTE:** Only use the stabilization accessories with the casters or leveling feet installed.

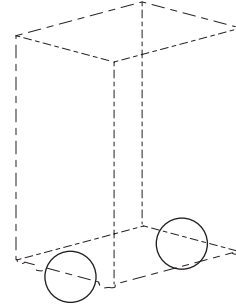
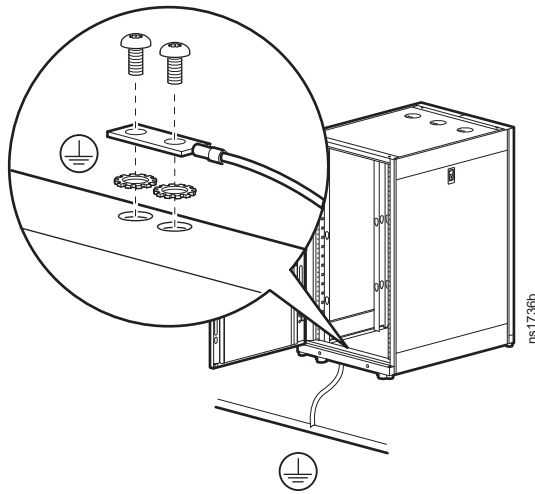
Accessory	Part Number	Description	
Pallet/bolt-down brackets	Provided	Attaches to the cabinet and floor internally or externally to provide additional stability without blocking cable access. Designed for use in low and moderate seismic regions.	
NetShelter SX stabilizer plate	Option (AR7700)	Attaches the externally to the cabinet and floor to provide additional stability. Designed for use in low and moderate seismic regions.	
Bolt-down kit	Option (AR7701)	Attaches to the cabinet and floor internally or externally to provide additional stability without blocking cable access. Designed for use in low and moderate seismic regions.	
High-seismic region bolt-down kit	Option (AR7701A-S)	Attaches to the cabinet and floor, internally and externally, to provide additional stability without blocking cable access. With the appropriate mounting hardware, meets high seismic region (UBC Zone-4) requirements.	



# Ground the Cabinet

Each cabinet should be grounded directly to the building ground using one of the designated grounding locations (two M6 threaded inserts) at the top or bottom of the cabinet.

- Use a Common Bonding Network Jumper kit (for example, Listed [KDER] Panduit® RGCBNJ660PY or equivalent).
- Use paint-piercing washers between ground terminal and cabinet frame or remove paint on frame under ground terminals per NEC NFPA 70 Article 250.12.
- Torque screws to 6.9 N•m (60 lb-in).
- Do not ground one cabinet to another cabinet in a cascading style.



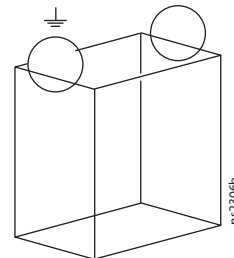
## **⚠ ⚠ DANGER**

### **HAZARD OF ELECTRIC SHOCK**

The cabinet must be connected to the building Common Bonding Network (CBN).

**Failure to follow these instructions will result in death or serious injury.**

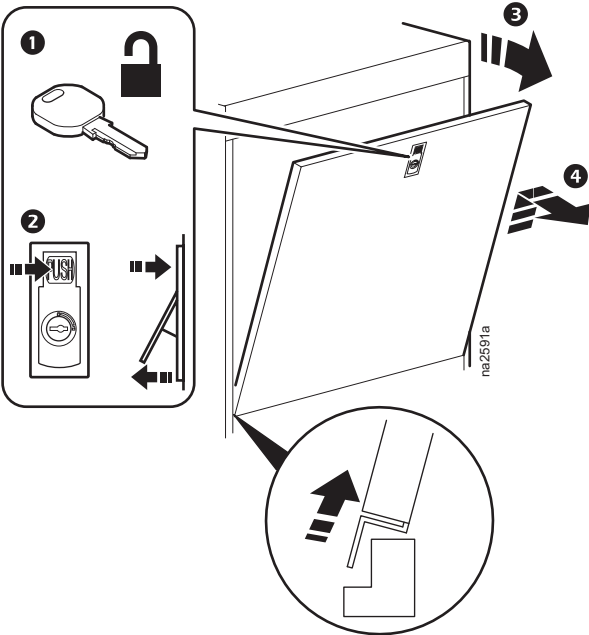
**NOTE:** If needed, additional functional grounding points are available at the top of the cabinet. Do not connect the building CBN to these functional grounding points.



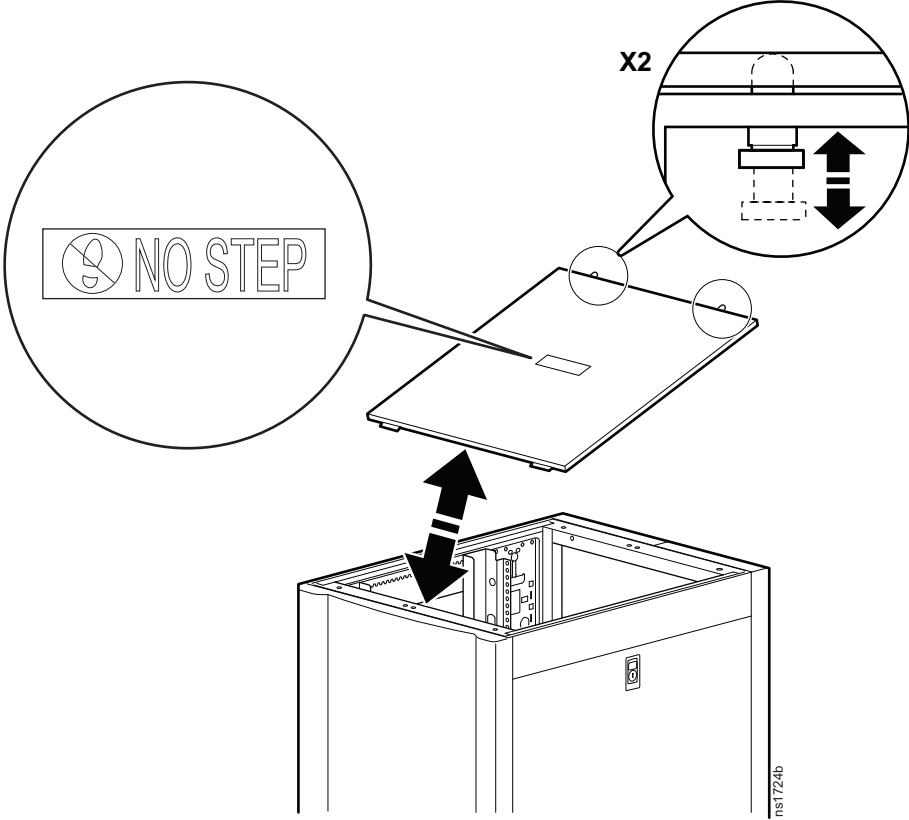


# Cabinet Installation

## Side Panels



## Roof

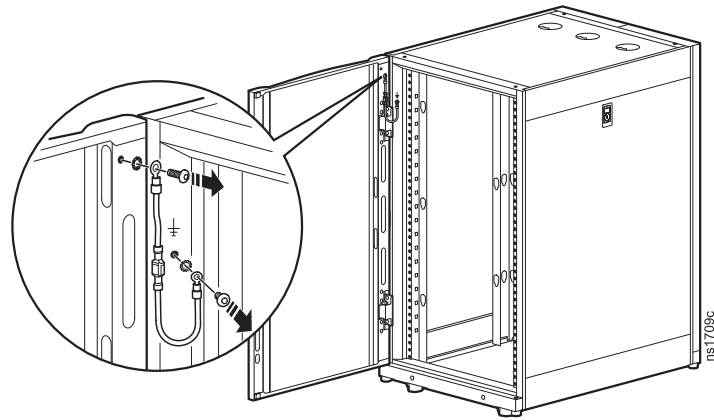


# Doors

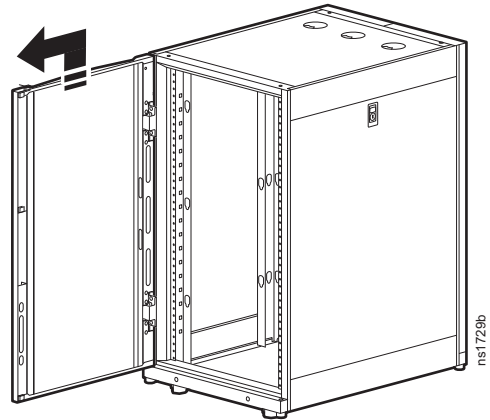
## Door removal

This procedure can apply to the front or rear doors.

1. If you intend to install the door in the same position, disconnect the ground wire. Otherwise, remove the grounding wire using the TORX wrench (provided).



2. Lift the door off the hinges.



## Door installation

This procedure can apply to the front or rear doors.

**NOTE:** The front door can be attached on either the left or right side of the cabinet. When facing the cabinet, this procedure installs door on the left side, causing the door to open from the right.

### **DANGER**

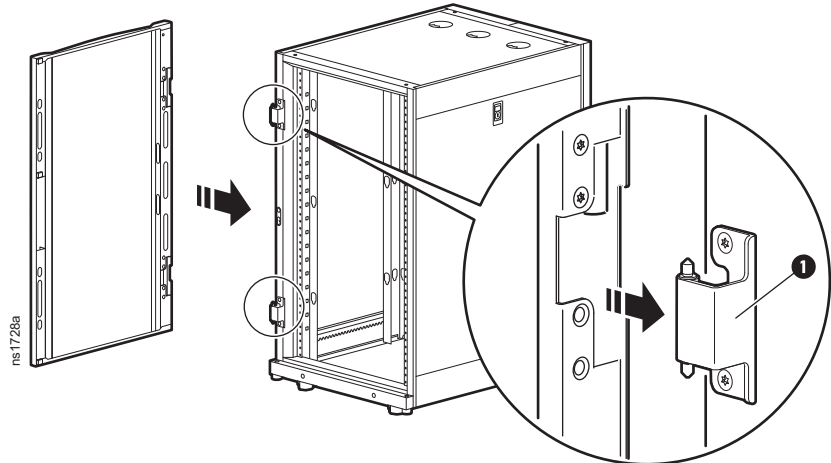
#### **HAZARD OF ELECTRIC SHOCK**

When installing the doors, remember to reconnect all ground and other connection wires.

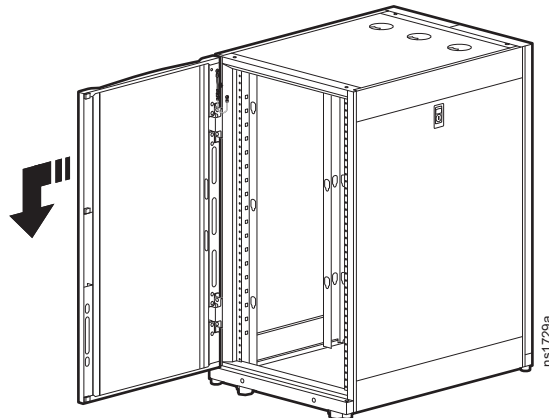
**Failure to follow these instructions will result in death or serious injury.**

1. Position the door over the hinge pins **1** at a 90 degree angle to the front or rear of the cabinet.

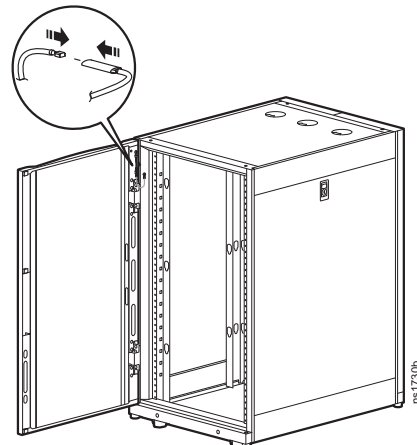
**NOTE:** Doors self-align on hinge pins when properly reinstalled.



2. Use slight pressure to pull the door away from cabinet; then lower the door.



3. Connect the ground wire.



## Front door reversal

The front door can be attached on either side of the cabinet. When facing the cabinet, this procedure installs the door on the right side, causing it to open from the left.

**NOTE:** If installed, the front door will need to be removed. See “Door removal” on page 14 before you proceed.

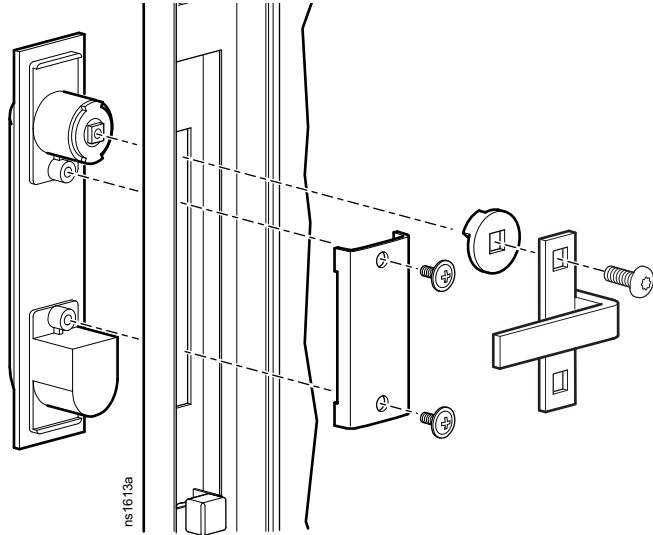
### **⚠ ⚠ DANGER**

#### **HAZARD OF ELECTRIC SHOCK**

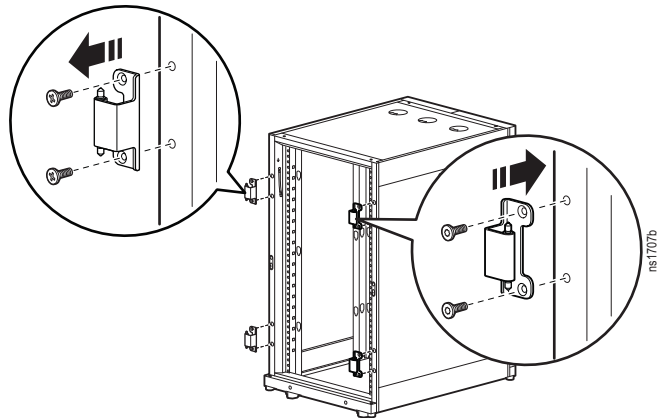
When installing the doors, remember to reconnect all ground and other connection wires.

**Failure to follow these instructions will result in death or serious injury.**

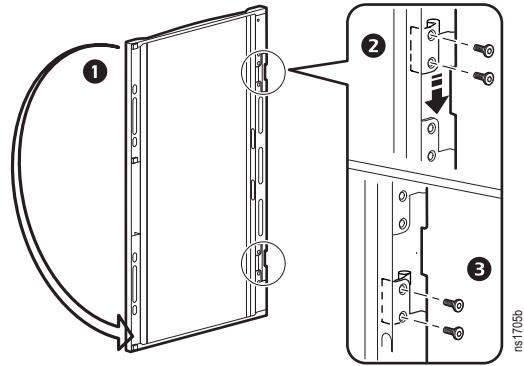
1. Remove the handle assembly.
2. Remove the nameplate (if equipped).



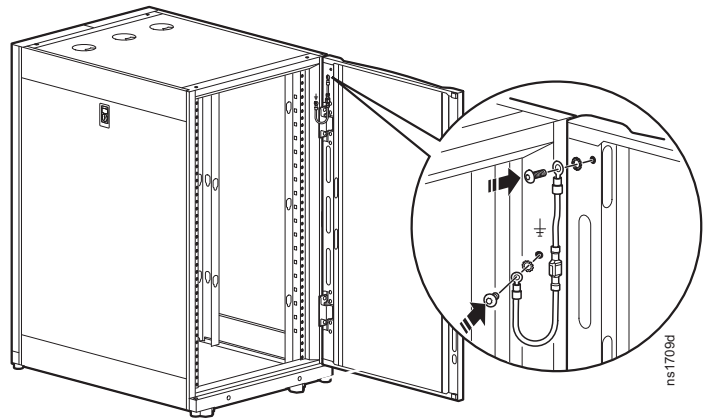
3. Remove the hinges from the frame. Rotate the hinges 180 degrees and reinstall them on the opposite side of the cabinet.



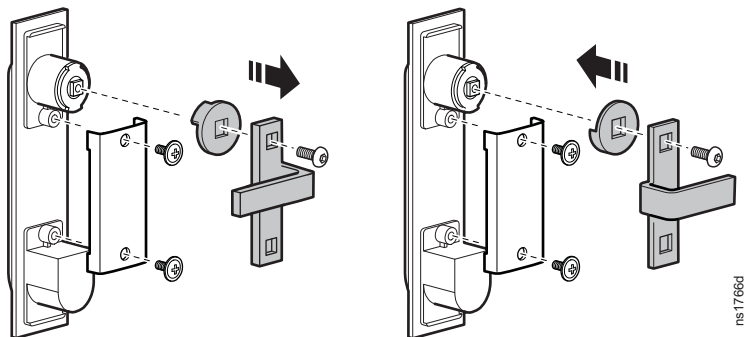
- Rotate the door. Reposition and install the hinges in the door as shown.



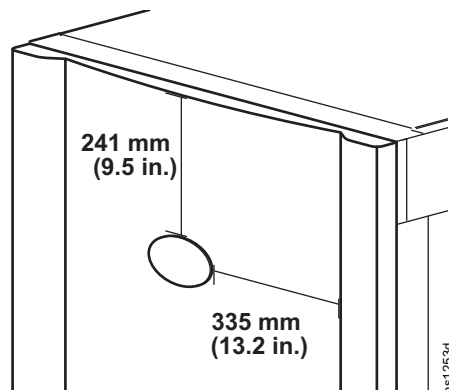
- Install the door on the right side of the cabinet and connect the ground wire. See "Door installation" on page 15.



- Install the handle on the door with the washer rotated 90 degrees from its original position, and the latch rotated 180 degrees from its original position



- Remove the nameplate from the bottom of the door and install as shown, if applicable.



# Equipment Installation

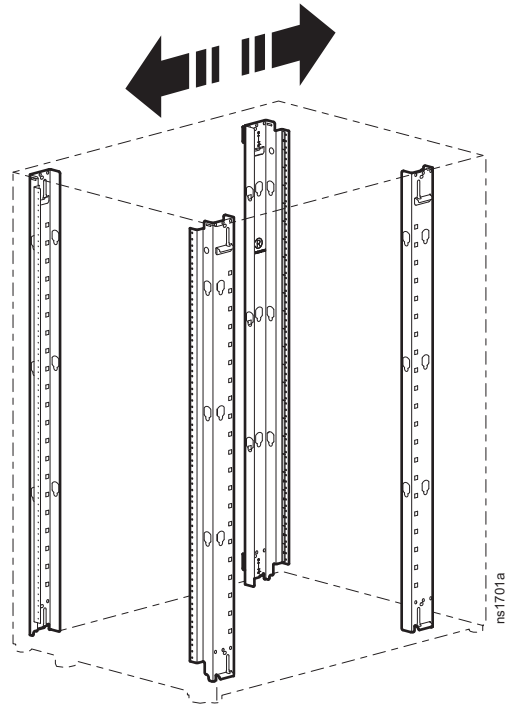
Installing equipment in the NetShelter AV Cabinet may require adjusting the vertical mounting rails to the correct depth for your equipment and then installing equipment.

## Vertical Mounting Rails

Audio-visual (AV) equipment is secured to the vertical mounting rails.

The vertical mounting rails are adjustable to accommodate the depth of your AV equipment. The vertical mounting rails come factory installed for use with AV equipment that has a depth of 508 mm (20 in).

The vertical mounting rails can be adjusted to be as close together as 191 mm (7.50 in) or as far apart as 680 mm (26.8 in), when the vertical 0 U accessory channels have been removed.



## Adjust the vertical mounting rails

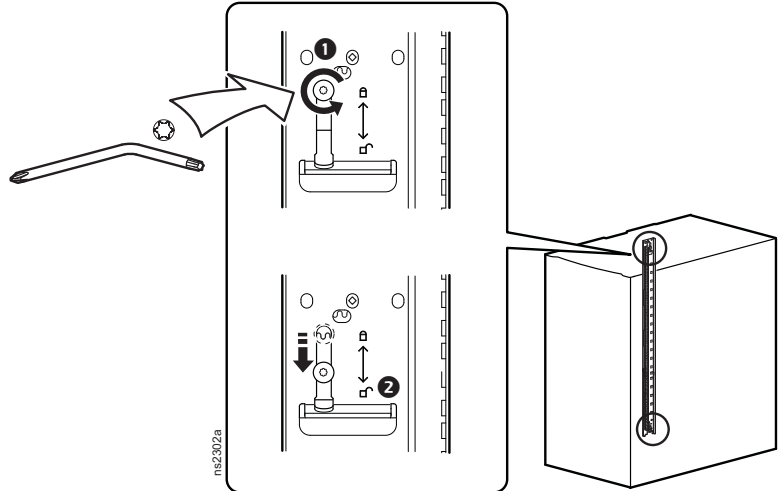
### ⚠ WARNING

#### FALLING EQUIPMENT HAZARD

Remove all equipment installed on the vertical mounting flanges before performing any adjustments.

**Failure to follow these instructions can result in serious injury or equipment damage.**

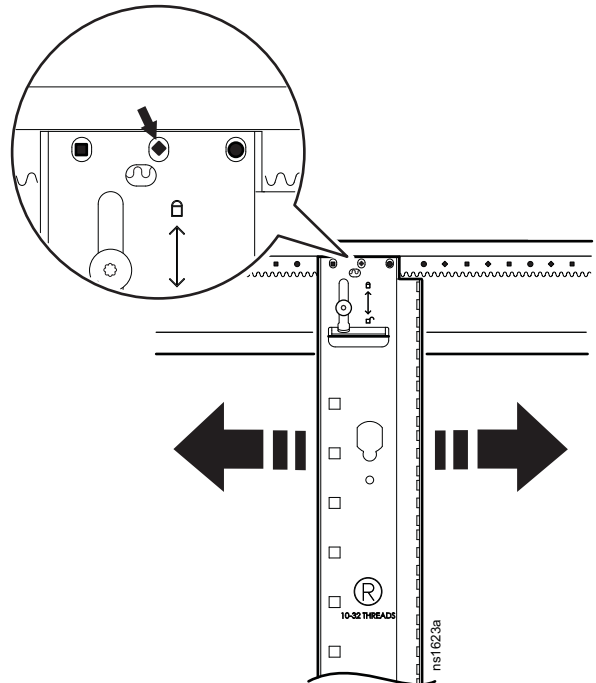
1. Unlock the vertical mounting rail. Use the TORX wrench (provided) to loosen the screws (❶), then lower the flat brackets (❷).



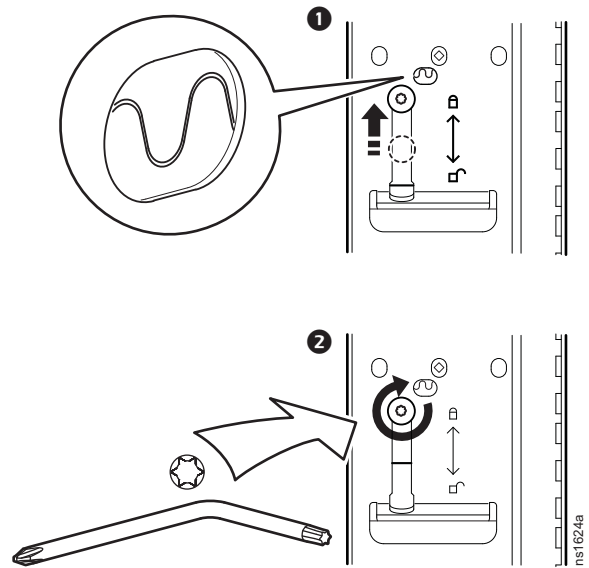
2. Move the vertical mounting rail to the desired location. Note symbols (circle, triangle, or square) visible through the set of three holes at the top and bottom of the vertical mounting rail.

#### NOTES:

- Vertical mounting rails adjust in 6 mm (1/4 in) increments.
- Make sure the vertical mounting rails on both sides of the cabinet are adjusted to the same depth. Verify that the symbols match.



- Lock top and bottom of the vertical mounting rail: raise the flat bracket until the teeth in the bracket engage fully with the teeth in the side brace (1), then tighten the screws (2)



## Install Equipment in the Cabinet

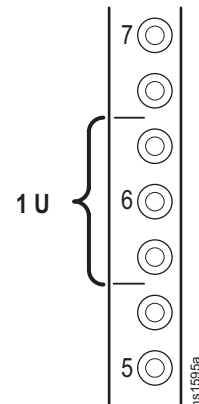
### ⚠ WARNING

#### TIP HAZARD

- This cabinet is easily tipped. Make sure you have secured the cabinet to the floor before installing equipment.
- Install the heaviest equipment first and toward the bottom of the cabinet to prevent the cabinet from becoming top-heavy.
- Do not extend equipment on sliding rails until at least 158 kg (350 lb) of equipment is installed into the bottom of the cabinet. Alternately, the stabilizer plate or bolt-down brackets can be installed.
- Do not extend more than one piece of equipment on sliding rails at a time.

**Failure to follow these instructions can result in death, serious injury, or equipment damage.**

1. Review the equipment manufacturer's installation instructions.
2. Locate the top and bottom U-space on the vertical mounting rails. Every third hole on the mounting rails is numbered to indicate the middle of a U-space. A U-space consists of one of these numbered holes and one hole directly above and below it, as shown.
3. Install the equipment using the #10-32 screws (provided). See the manufacturer's instructions provided with the equipment for additional details.





# Completing the Installation

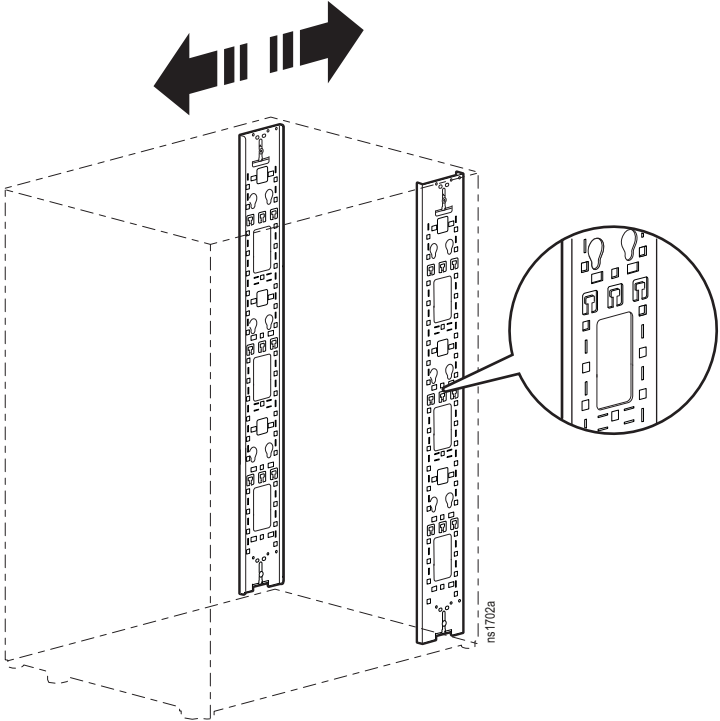
## Cable Routing and Cable Management

### Vertical 0 U Accessory Channels

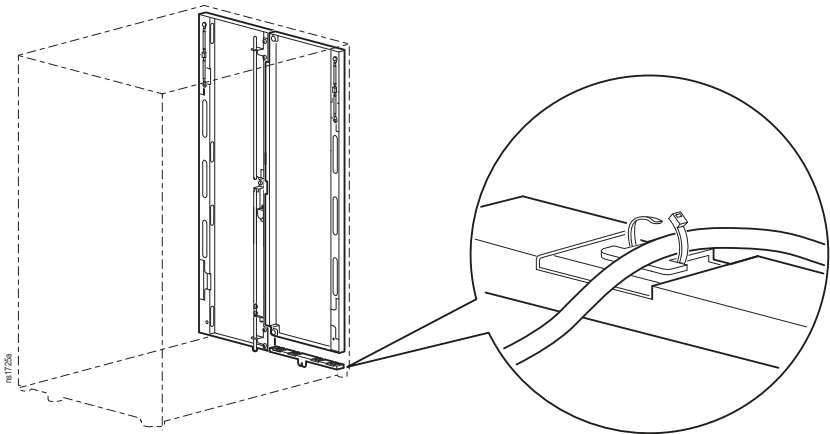
The vertical 0 U accessory channels provide toolless mounting capabilities for Rack Power Distribution Units (PDUs) and cable management accessories.

The vertical 0 U accessory channels also provide tie-off locations for cables.

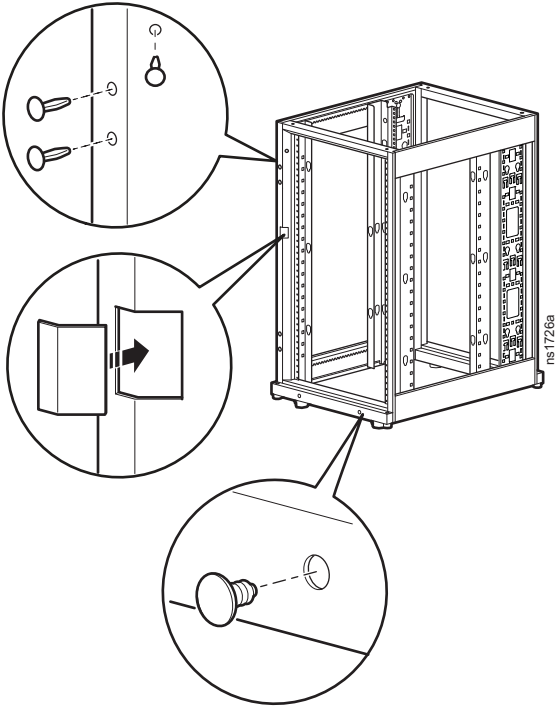
The vertical 0 U accessory channels can be re-located in the cabinet anywhere along the side braces. The standard position for the vertical 0 U accessory channels is in the rear of the cabinet, but they can be positioned anywhere along the side braces like the vertical mounting rails (see “Adjust the vertical mounting rails” on page 19 for more information).



### Rear Door Cable Containment Bracket



# Plug and Cover Installation Locations



# Specifications

---

Height	1199 mm (47.2 in)
Width	600 mm (23.6 in)
Depth	825 mm (32.5 in)
Net weight	81.65 kg (180 lb)
Total open area (front door)	345 808 mm <sup>2</sup> (536.0 in <sup>2</sup> )
Total open area (rear door)	375 870 mm <sup>2</sup> (582.6 in <sup>2</sup> )
Open area per U (front door)	14 406 mm <sup>2</sup> (22.3 in <sup>2</sup> )
Open area per U (rear door)	15 658 mm <sup>2</sup> (24.3 in <sup>2</sup> )
Perforation pattern percentage	69%
Percent of perforated area (front)	67%
Percent of perforated area (rear)	73%
Clearance (for wiring between front door and vertical rail)	61.0 mm (2.4 in)
Weight rating: static load <sup>†</sup>	1361 kg (3,000 lb)
Weight rating: rolling	1021 kg (2,250 lb)
Weight rating: shipping <sup>‡</sup>	567 kg (1,250 lb)

<sup>†</sup> Lower the leveling feet if the static weight is over 1020.58 kg (2,250 lb).

<sup>‡</sup> Additional packaging may be required if the cabinet is reshipped with equipment installed. See [www.apc.com](http://www.apc.com) for more information.

# Five-Year Factory Warranty

---

The limited warranty provided by APC by Schneider Electric in this Statement of Limited Factory Warranty applies only to Products you purchase for your commercial or industrial use in the ordinary course of your business.

## Terms of Warranty

APC by Schneider Electric warrants its products to be free from defects in materials and workmanship for a period of five years from the date of purchase. Its obligation under this warranty is limited to repairing or replacing, at its sole discretion, any such defective products. This warranty does not apply to equipment that has been damaged by accident, negligence, or misapplication or has been altered or modified in any way. Repair or replacement of a defective product or part thereof does not extend the original warranty period. Any parts furnished under this warranty may be new or factory-remanufactured.

## Non-transferable Warranty

This warranty applies only to the original purchaser who must have properly registered the product. The product may be registered at [www.apc.com](http://www.apc.com).

## Exclusions

APC by Schneider Electric shall not be liable under the warranty if its testing and examination disclose that the alleged defect in the product does not exist or was caused by end user's or any third person's misuse, negligence, improper installation or testing. Further APC by Schneider Electric shall not be liable under the warranty for unauthorized attempts to repair or modify wrong or inadequate electrical voltage or connection, inappropriate on-site operation conditions, corrosive atmosphere, repair, installation, start-up by non-APC by Schneider Electric designated personnel, a change in location or operating use, exposure to the elements, Acts of God, fire, theft, or installation contrary to APC by Schneider Electric recommendations or specifications or in any event if the APC by Schneider Electric serial number has been altered, defaced, or removed, or any other cause beyond the range of the intended use.

**THERE ARE NO WARRANTIES, EXPRESS OR IMPLIED, BY OPERATION OF LAW OR OTHERWISE, OF PRODUCTS SOLD, SERVICED OR FURNISHED UNDER THIS AGREEMENT OR IN CONNECTION HERewith. APC BY SCHNEIDER ELECTRIC DISCLAIMS ALL IMPLIED WARRANTIES OF MERCHANTABILITY, SATISFACTION AND FITNESS FOR A PARTICULAR PURPOSE. APC BY SCHNEIDER ELECTRIC EXPRESS WARRANTIES WILL NOT BE ENLARGED, DIMINISHED, OR AFFECTED BY AND NO OBLIGATION OR LIABILITY WILL ARISE OUT OF, APC BY SCHNEIDER ELECTRIC RENDERING OF TECHNICAL OR OTHER ADVICE OR SERVICE IN CONNECTION WITH THE PRODUCTS. THE FOREGOING WARRANTIES AND REMEDIES ARE EXCLUSIVE AND IN LIEU OF ALL OTHER WARRANTIES AND REMEDIES. THE WARRANTIES SET FORTH ABOVE CONSTITUTE APC BY SCHNEIDER ELECTRIC'S SOLE LIABILITY AND PURCHASER'S EXCLUSIVE REMEDY FOR ANY BREACH OF SUCH WARRANTIES. APC BY SCHNEIDER ELECTRIC WARRANTIES RUN ONLY TO PURCHASER AND ARE NOT EXTENDED TO ANY THIRD PARTIES.**

**IN NO EVENT SHALL APC BY SCHNEIDER ELECTRIC, ITS OFFICERS, DIRECTORS, AFFILIATES OR EMPLOYEES BE LIABLE FOR ANY FORM OF INDIRECT, SPECIAL, CONSEQUENTIAL OR PUNITIVE DAMAGES, ARISING OUT OF THE USE, SERVICE OR INSTALLATION, OF THE PRODUCTS, WHETHER SUCH DAMAGES ARISE IN CONTRACT OR TORT, IRRESPECTIVE OF FAULT, NEGLIGENCE OR STRICT LIABILITY OR WHETHER APC BY SCHNEIDER ELECTRIC HAS BEEN ADVISED IN ADVANCE OF THE POSSIBLY OF SUCH DAMAGES. SPECIFICALLY, APC BY SCHNEIDER ELECTRIC IS NOT LIABLE FOR ANY COSTS, SUCH AS LOST PROFITS OR REVENUE, LOSS OF EQUIPMENT, LOSS OF USE OF EQUIPMENT, LOSS OF SOFTWARE, LOSS OF DATA, COSTS OF SUBSTITUANTS, CLAIMS BY THIRD PARTIES, OR OTHERWISE.**

**NO SALESMAN, EMPLOYEE OR AGENT OF APC BY SCHNEIDER ELECTRIC IS AUTHORIZED TO ADD TO OR VARY THE TERMS OF THIS WARRANTY. WARRANTY TERMS MAY BE MODIFIED, IF AT ALL, ONLY IN WRITING SIGNED BY AN APC BY SCHNEIDER ELECTRIC OFFICER AND LEGAL DEPARTMENT.**

## **Warranty Claims**

Customers with warranty claims issues may access the APC by Schneider Electric worldwide customer support network by visiting [www.apc.com](http://www.apc.com). Select your country from the country selection pull-down menu. Open the Support tab at the top of the web page to obtain contact information for customer support in your region.





# Worldwide Customer Support

Customer support for this product is available at [www.apc.com](http://www.apc.com).

© 2020 APC by Schneider Electric. All Rights Reserved. APC, the APC logo, and NetShelter are trademarks owned by Schneider Electric SE. All other trademarks may be property of their respective owners.