

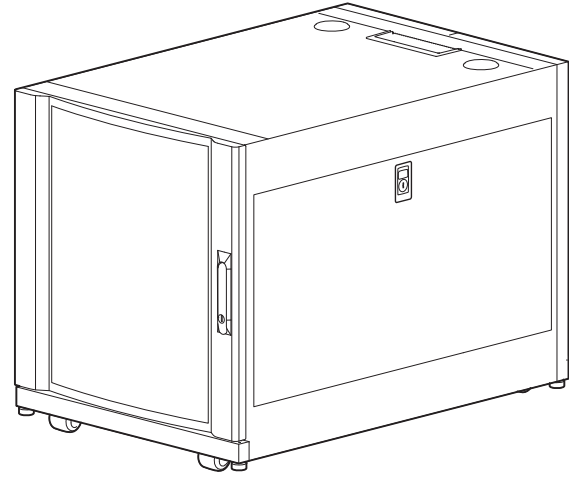


by Schneider Electric

NetShelter™ SX 12 U and 18 U Cabinets with Shock Packaging

Guide for Receiving, Unpacking, and Moving

AR3003SP, AR3006SP, AR3103SP, AR3106SP



IMPORTANT SAFETY INSTRUCTIONS

CAUTION

HEAVY EQUIPMENT HAZARD

- Do NOT attempt to move the cabinet without assistance. Use a pallet jack or forklift to move the cabinet while it is still on its shipping pallet.
 - Use caution when moving the cabinet on its casters.
 - Push the cabinet from the front or back to move it.
- Failure to follow these instructions can result in injury or equipment damage.



Receiving

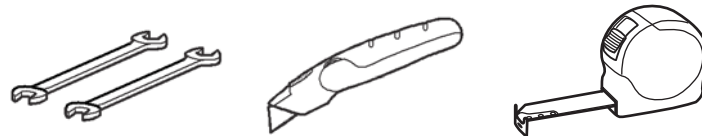
Inspect the exterior packaging

Before unpacking the shipment, verify that the labeled boxes match the bill of lading and carefully inspect the exterior of the shipment immediately upon receipt.

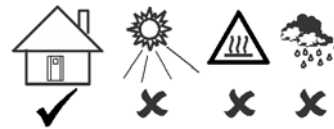
Inspect the Equipment

Once you have unpacked the cabinet, carefully inspect it for visible signs of shipping damage. If you detect shipping damage, contact your shipping company and APC by Schneider Electric Customer Support at the number listed on the yellow label on the front of the cabinet or at www.apc.com.

Tools Required (not provided)



Unpacking

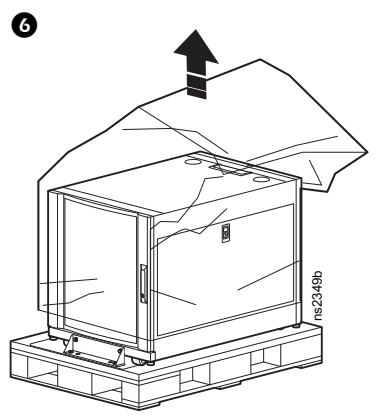
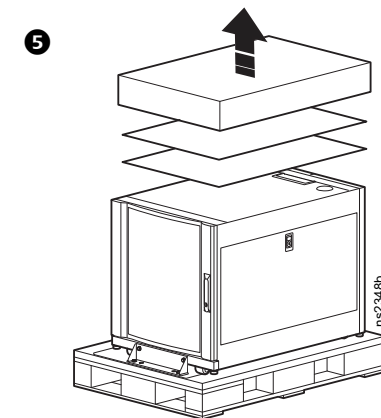
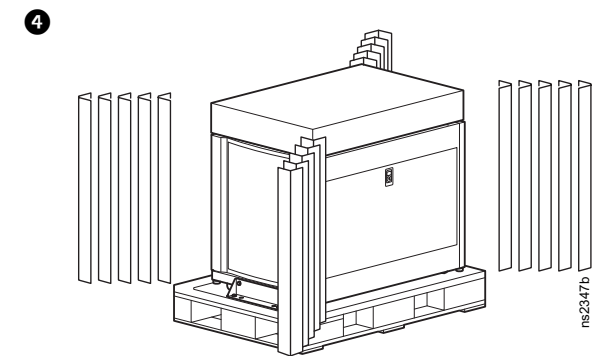
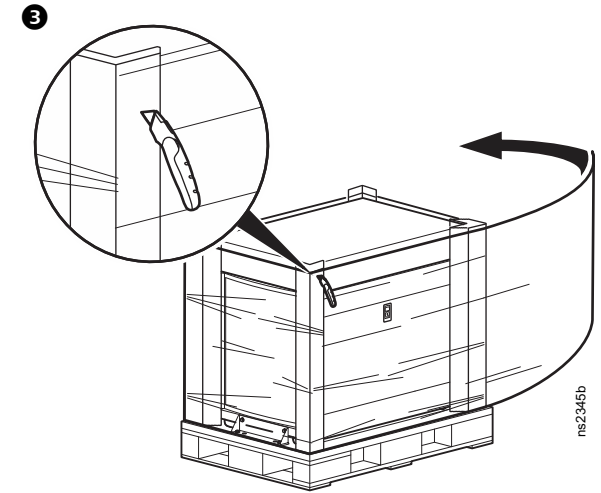
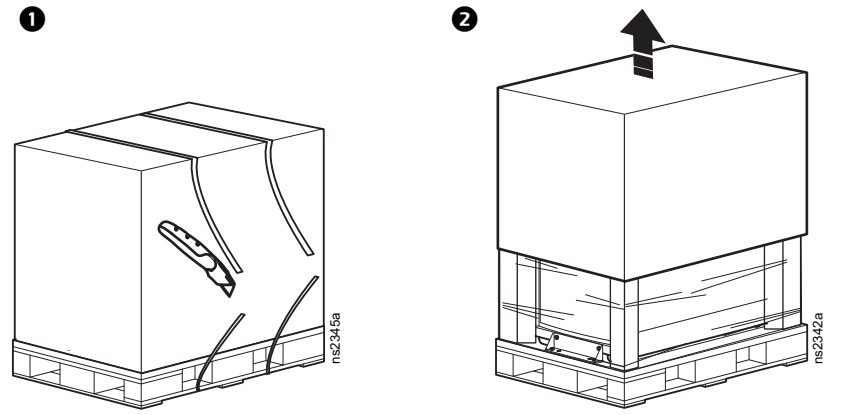


NOTICE

Leaving the cabinet uncovered and exposed to the elements will cause damage and void the factory warranty.



The shipping materials are recyclable. Save them for later use, or dispose of them appropriately.



12/2018

990-6083

© 2018 APC by Schneider Electric. All rights reserved.

Customer support and warranty information is available at www.apc.com.

Worldwide Customer Support

