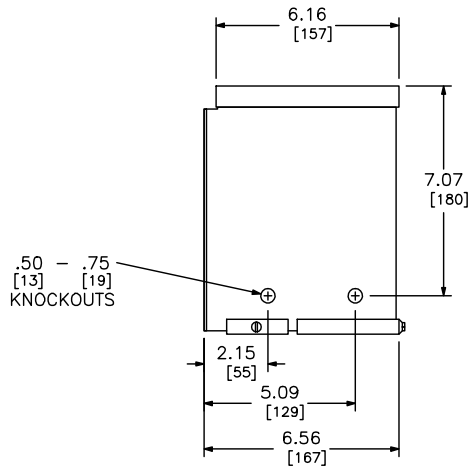
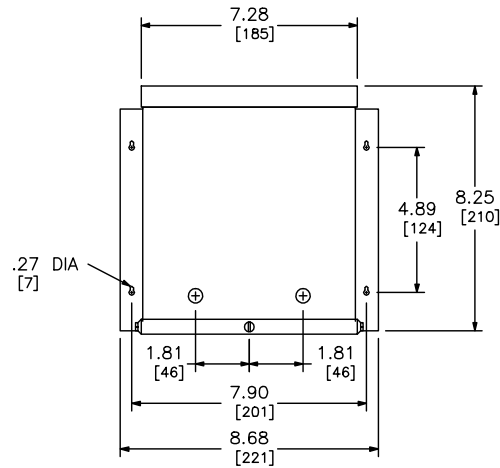


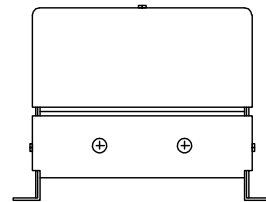
BUCK AND BOOST TRANSFORMER
 1.5 KVA 1Ø 60HZ
 120 X 240V PRIMARY



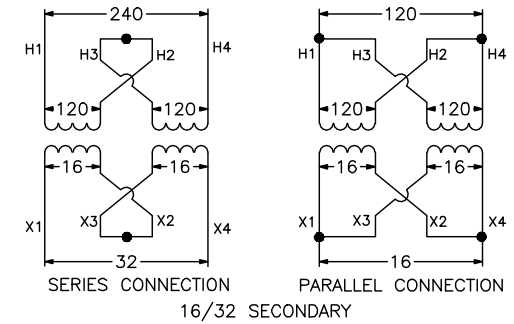
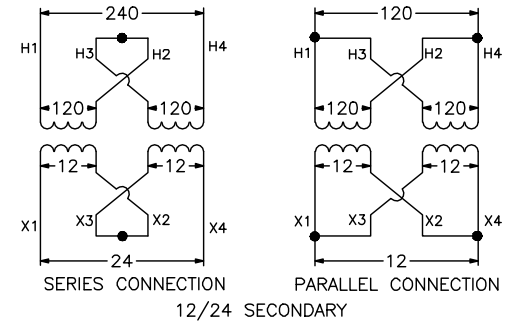
SIDE VIEW



FRONT VIEW



BOTTOM VIEW



SEISMIC QUALIFICATION:
 TO BE COMPLIANT WITH THE SEISMIC REQUIREMENTS OF ASCE/SEI7, THIS UNIT HAS BEEN QUALIFIED BY SHAKE TABLE TESTING THROUGH SELF CERTIFICATION TO ICC ES AC156. THE ENCLOSURE SHOWN ABOVE IS 8A. CONTACT YOUR LOCAL SCHNEIDER ELECTRIC/SQUARE D REPRESENTATIVE FOR RELATED QUESTIONS.

NOTES:
 UL/CUL LISTED
 NEMA 3R NON-VENTILATED ENCLOSURE
 COPPER WOUND
 185°C INSULATION SYSTEM FOR 115°C RISE
 EPOXY-RESIN ENCAPSULATED

DUAL DIMENSIONS: INCHES
 MILLIMETERS

| KVA | CATALOG NUMBERS | | TEMP. RISE | WGT LBS |
|-----|-----------------|-----------------|------------|---------|
| | 12/24 SECONDARY | 16/32 SECONDARY | | |
| 1.5 | 1.5S43F | 1.5S46F | 115°C | 30.1 |

BUCK AND BOOST TRANSFORMERS
 1.5 KVA 1PH 60HZ
 120 X 240V PRIMARY



DWG# 3619
 NO.