



Main

Range of product	OsiSense XM
Product or component type	Electronic pressure sensors
Device short name	ZMLP

Complementary

Display range	-14.5...6000
[Us] rated supply voltage	24 V DC SELV 17...33 V)
Current consumption	<= 50 mA
Electrical connection	Female connector M12, 2 pins Male connector M12, 4 pins
Type of output signal	Discrete
Discrete output type	Solid state NPN, 2 NO/NC programmable
Switching function	Hysteresis
Maximum switching current	200 mA
Maximum voltage drop	2 V
Adjustable range of switching point on rising pressure	5...98 % of selected display range
Minimum differential travel	10 % of selected display range
Marking	CE
Front material	Polyester
Housing material	PBT Valox
Operating position	Any position
Protection type	Reverse polarity Short-circuit protection Overload protection Overvoltage protection
Response time on output	<= 3 ms discrete output
Display type	4 digits 7 segments
Local signalling	Light ON when switch is actuated 2 LEDs yellow)
Response time	300 ms
Maximum delay first up	100 ms
Accuracy	<= - 0.1 % of the measuring range
Measurement accuracy	<= 1 % of the measuring range
Display accuracy	<= 1 % of the measuring range
Mechanical durability	10000000 cycles
Maximum Depth	1.65 in (42 mm)
Maximum Height	3.03 in (77 mm)
Maximum Width	1.61 in (41 mm)
Net Weight	0.23 lb(US) (0.103 kg)
[Uimp] rated impulse withstand voltage	0.5 kV DC

Environment

Product certifications	EAC CULus
Standards	EN/IEC 61000-6-2 UL 508 EN/IEC 61000-6-4
Ambient air temperature for operation	-13...158 °F (-25...70 °C)
Ambient air temperature for storage	-22...176 °F (-30...80 °C)
IP degree of protection	IP67 EN/IEC 60529 IP65 EN/IEC 60529 IP69K DIN 40050
Vibration resistance	5 gn 10...2000 Hz)EN/IEC 60068-2-6
Shock resistance	25 gn EN/IEC 60068-2-27
Electromagnetic compatibility	Immunity to conducted RF disturbances 10 V 0.15...80 MHz EN/IEC 61000-4-6 Surge immunity test 1 kV EN/IEC 61000-4-5 Electrical fast transient/burst immunity test 2 kV EN/IEC 61000-4-4 Susceptibility to electromagnetic fields 10 V/m 80...2000 MHz EN/IEC 61000-4-3 Electrostatic discharge immunity test 8 kV air, 4 kV contact EN/IEC 61000-4-2

Ordering and shipping details

Category	22661 - XMLA,B,C,D PRESSURE SWITCHES
Discount Schedule	DS2
GTIN	00785901852445
Nbr. of units in pkg.	1
Package weight(Lbs)	0.23 lb(US) (0.10 kg)
Returnability	No
Country of origin	FR

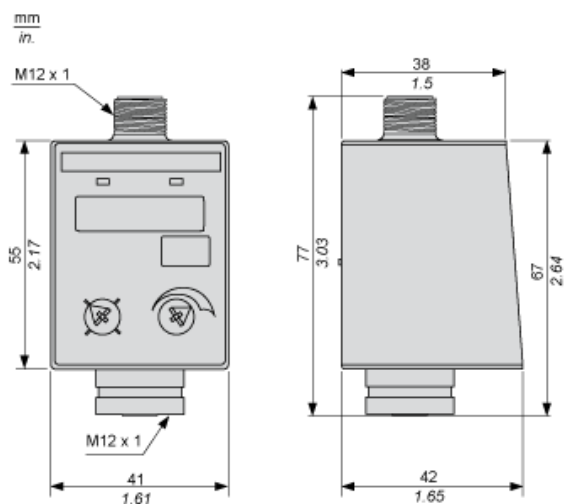
Packing Units

Unit Type of Package 1	PCE
Package 1 Height	1.69 in (4.3 cm)
Package 1 width	1.85 in (4.7 cm)
Package 1 Length	3.43 in (8.7 cm)
Unit Type of Package 2	S01
Number of Units in Package 2	24
Package 2 Weight	5.97 lb(US) (2.708 kg)
Package 2 Height	5.91 in (15 cm)
Package 2 width	5.91 in (15 cm)
Package 2 Length	15.75 in (40 cm)

Offer Sustainability

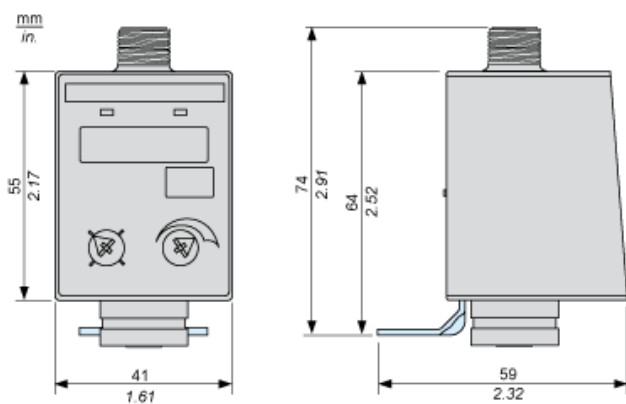
Sustainable offer status	Green Premium product
California proposition 65	WARNING: This product can expose you to chemicals including: Di-isodecyl phthalate (DIDP) and Diisononyl phthalate (DINP) which is known to the State of California to cause Carcinogen and Reproductive harm. For more information go to www.p65warnings.ca.gov
EU RoHS Directive	Pro-active compliance (Product out of EU RoHS legal scope) EU RoHS Declaration
Mercury free	Yes
RoHS exemption information	Yes
Environmental Disclosure	Product Environmental Profile
Circularity Profile	End Of Life Information

Dimensions



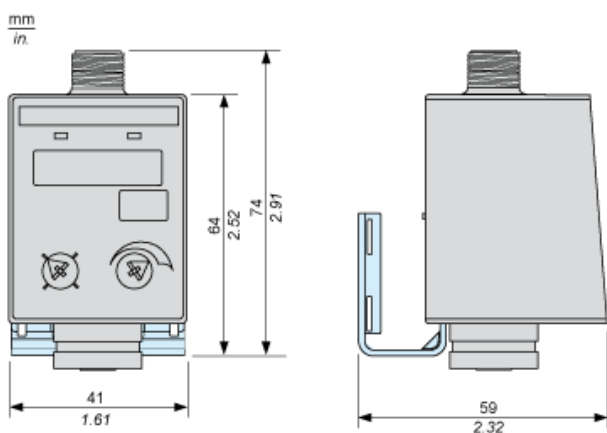
Dimensions

Switch with Metal Bracket for Fixing Horizontally



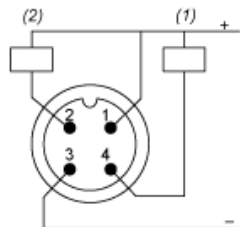
Dimensions

Switch with Metal Bracket for Fixing Vertically or on an Inlet Pipe



Connections and Schema

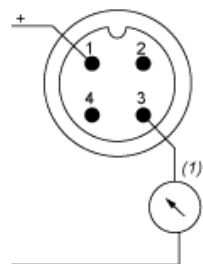
Output M12 Male Connector Wiring



- (1) Out 1
- (2) Out 2

Connections and Schema

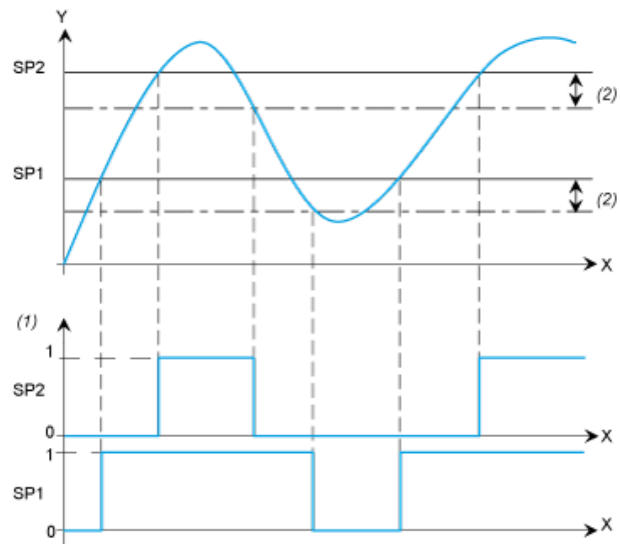
Input M12 Female Connector Wiring



- (1) $I_{in} = 4-20 \text{ mA}$

Two Switching Outputs Description. Hysteresis Mode

The hysteresis switching mode is typically used for the pumping applications



X : Time

Y : Pressure

(1) Output

(2) Fixed hysteresis = 10% of the selected display range

SP1/ Set points (adjustable from 11% to 98% nominal pressure)

SP2 :