



Main

Range of product	Modicon Quantum automation platform
Product or component type	Analogue input module
Type of filter	Single pole low pass - 3 dB at 15 Hz +/- 20 %

Complementary

Analogue input number	8
Input type	Differential
Addressing requirement	9 input words
Analogue input resolution	12 bits
Linear measuring range	1...5 V 4...20 mA
Absolute maximum input	50 V DC 25 mA
Input impedance	250 Ohm current +/- 0.01 % > 20 MOhm voltage
Absolute accuracy error	+/- 0.05 % of full scale +/- 0.1 % of full scale maximum
Linearity error	+/- 0.04 %
Accuracy drift according to temperature	+/- 0.0025 % of full scale/°C <= 0.005 % of full scale/°C
Common mode rejection	> - 72 dB 60 Hz
Isolation between channels and bus	1000 V DC 3000 V DC 60 s
Isolation between channels	30 V DC
Update time	5 ms
Fault type	Broken wire 4...20 mA Undervoltage range 1...5 V
Marking	CE
Local signalling	Bus communication is present (Active) 1 LED green) External fault 1 LED red) Channel is turned on 8 LEDs green) Channel fault 8 LEDs red)
Bus current requirement	240 mA
Power dissipation in W	2 W
Module format	Standard
Net Weight	0.66 lb(US) (0.3 kg)

Environment

Protective treatment	Conformal coating Humiseal 1A33
Standards	UL 508 CSA C22.2 No 142
Product certifications	FM Class 1 Division 2 CUL
Resistance to electrostatic discharge	4 KV contact IEC 801-2 8 kV on air IEC 801-2
Resistance to electromagnetic fields	9.14 V/m (10 V/m) 80...1000 MHz IEC 801-3
Ambient air temperature for operation	32...140 °F (0...60 °C)
Ambient air temperature for storage	-40...185 °F (-40...85 °C)
Relative humidity	95 % without condensation
Operating altitude	<= 16404.2 ft (5000 m)

Ordering and shipping details

Category	18155 - QUANTUM I/O & POWER SUPPLIES
Discount Schedule	PC21
GTIN	00785901739661
Nbr. of units in pkg.	1
Package weight(Lbs)	1.01 lb(US) (0.46 kg)
Returnability	No
Country of origin	FR

Packing Units

Unit Type of Package 1	PCE
Package 1 Height	1.97 in (5 cm)
Package 1 width	6.50 in (16.5 cm)
Package 1 Length	12.20 in (31 cm)

Offer Sustainability

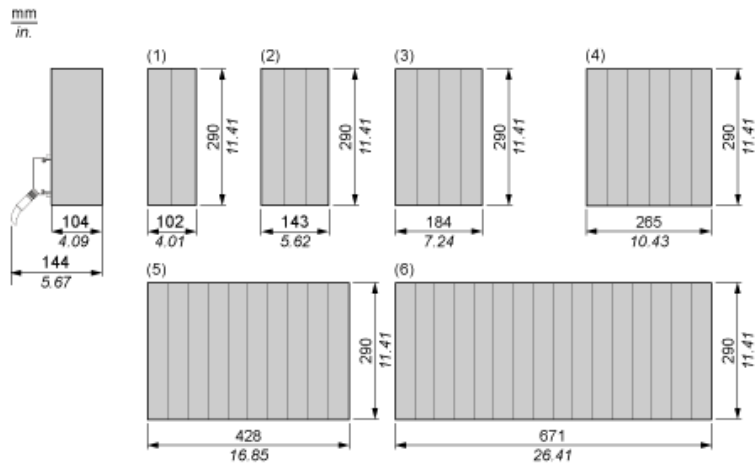
Sustainable offer status	Green Premium product
EU RoHS Directive	Pro-active compliance (Product out of EU RoHS legal scope) EU RoHS Declaration
Mercury free	Yes
RoHS exemption information	Yes
China RoHS Regulation	China RoHS Declaration
Environmental Disclosure	Product Environmental Profile
Circularity Profile	End Of Life Information
WEEE	The product must be disposed on European Union markets following specific waste collection and never end up in rubbish bins.

Contractual warranty

Warranty	18 months
----------	-----------

Racks for Modules Mounting

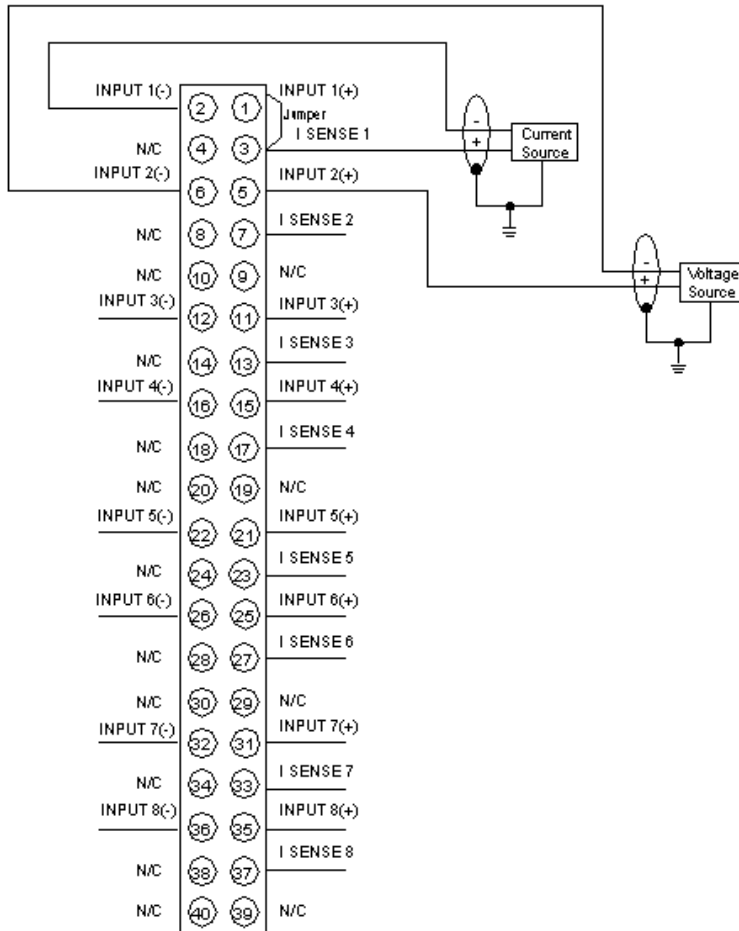
Dimensions of Modules and Racks



- (1) 2 slots
- (2) 3 slots
- (3) 4 slots
- (4) 6 slots
- (5) 10 slots
- (6) 16 slots

Analog Input 8-Channel Unipolar Module

Wiring Diagram



N/C Not Connected

The maximum channel to channel working voltage cannot exceed 30 Vdc.