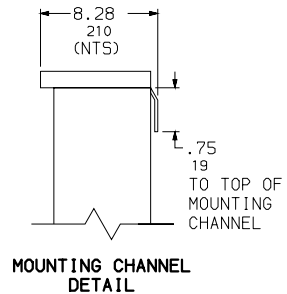
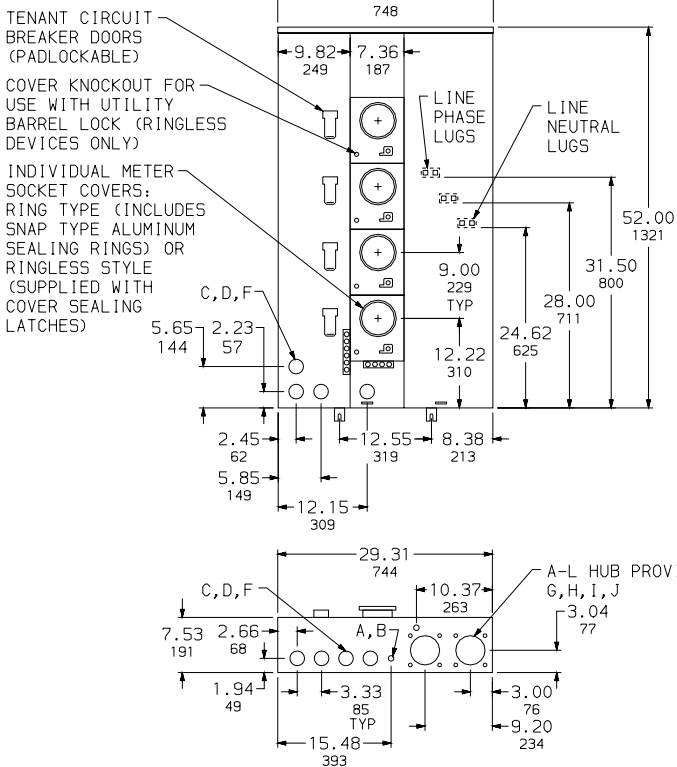
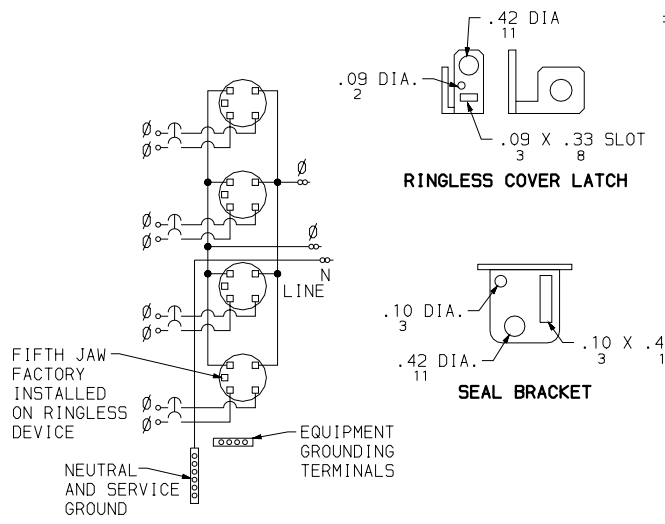


SUPPLIED WITH ACPL CLOSING PLATE (FOR UNDERGROUND SERVICE), ORDER TYPE A-L HUB SEPARATELY (FOR OVERHEAD SERVICE)

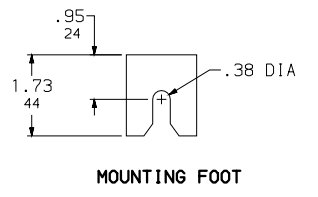
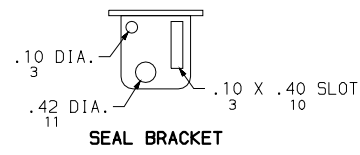
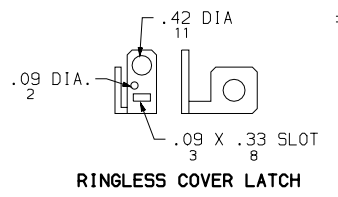


SYMBOL	CONDUIT SIZE		HOLE DIAMETER	
	IN	MM	IN	MM
A	.50	13	.88	22
B	.75	19	1.25	32
C	1.00	25	1.38	35
D	1.25	32	1.75	44
E	1.50	38	2.00	51
F	2.00	51	2.50	64
G	2.50	64	3.00	76
H	3.00	76	3.63	92
I	3.50	89	4.13	105
J	4.00	102	4.63	118

TENANT SERVICE DISCONNECTS (ORDER ONE PER SOCKET POSITION)			
AMPERE RATING	CATALOG NUMBER	SHORT CIRCUIT CURRENT RATING RMS SYMMETRICAL AMPERES ▲	WIRE RANGE (AWG) ●
100	Q0M2100MM	10,000	# 4-250 AL/CU
125	Q0M2125MM		
150	Q0M2150MM		
175	Q0M2175MM		
200	Q0M2200MM		
100	Q0M2100MVH	22,000	# 4-250 AL/CU
125	Q0M2125MVH		
150	Q0M2150MVH		
175	Q0M2175MVH		
200	Q0M2200MVH		



ALTERNATE MECHANICAL LUGS	
WIRE SIZE	CATALOG NO.
(1) 1/0-600 AWG/KCMIL OR (2) 1/0-250 PER PHASE	MMLK250
(2) 3/0-500 AWG/KCMIL PER PHASE	MMLK500
(2) 2-600 AWG/KCMIL PER PHASE	MMLK600



NOTES:
 FINISH - UL COMPONENT RECOGNIZED GRAY BAKED POWDER COAT PAINT OVER CLEANED PHOSPHATIZED STEEL.
 UL LISTED - FILE E-6294. SUITABLE ONLY FOR USE AS SERVICE EQUIPMENT. SUITABLE FOR OH,UG SERVICE.
 RING-TYPE DEVICE SUPPLIED WITH 4-JAW METER SOCKET, 5TH JAW KIT AVAILABLE.
 SURFACE MOUNT, CONVERTIBLE TO SEMI-FLUSH WITH FIELD INSTALLED KIT.
 MECHANICAL LUGS FACTORY INSTALLED, LUG LANDING PADS AVAILABLE.
 ▲ LOAD PHASE LUGS ARE SUPPLIED AS A PART OF THE CIRCUIT BREAKER (TENANT SERVICE DISCONNECT).
 ▲ SHORT CIRCUIT CURRENT RATING OF METER CENTER IS EQUAL TO THE RATING OF THE LOWEST INSTALLED TENANT SERVICE DISCONNECT.
 † LUGS LARGER THAN 600 KCMIL REQUIRE USE OF LUG LANDING PADS (ORDER CATALOG NUMBER MMSK2 SEPARATELY).
 ● WIRE BENDING SPACE PER NEC TABLE 373-6

METER SOCKET COVER	NO. OF METER SOCKETS	NO. OF JAWS	FACTORY INSTALLED BYPASS	120/240VAC, 1Ø 3 WIRE OR 208Y/240VAC, 1Ø 3 WIRE (5TH JAW REQUIRED)		LOAD LUG WIRE SIZES (AWG-KCMIL)	
				MAIN BUS RATING	CATALOG NUMBER	PHASE AND NEUTRAL	PHASE ■ NEUTRAL, SERVICE GROUND & EQUIPMENT GROUNDING
RING-TYPE	4	4	NONE	600	MP64-200	(1) 1/0-600 OR (2) 1/0-250	SEE CIRCUIT BREAKER WIRE SIZE #6-300
RINGLESS	4	5	NONE	600	MPR64-200		
RINGLESS	4	5	HORN	600	MPH64-200		

MP METER-PAK METERING EQUIPMENT
 NEMA TYPE 3R ENCLOSURE
 200A MAXIMUM TENANT CIRCUIT BREAKERS

SQUARE D COMPANY

DWG. NO. 2528