

D

D

TERMINAL BOX COVER

TERMINAL BOX

C

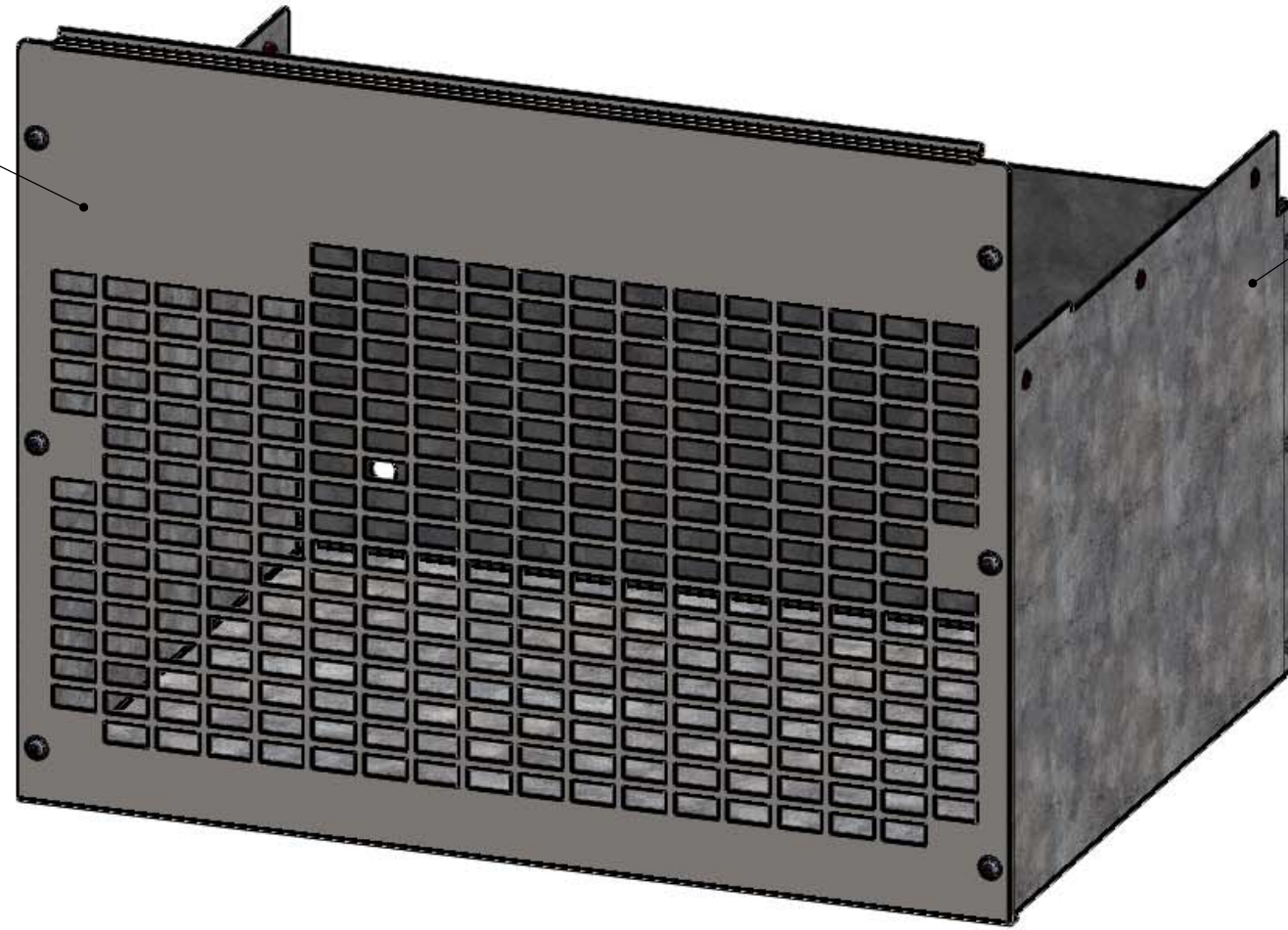
C

B

B

A

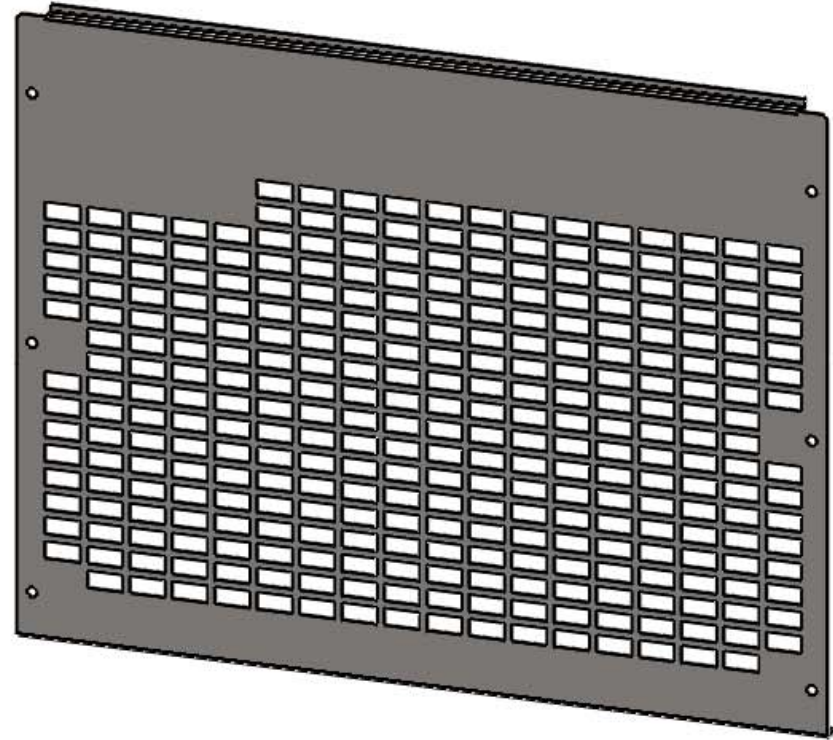
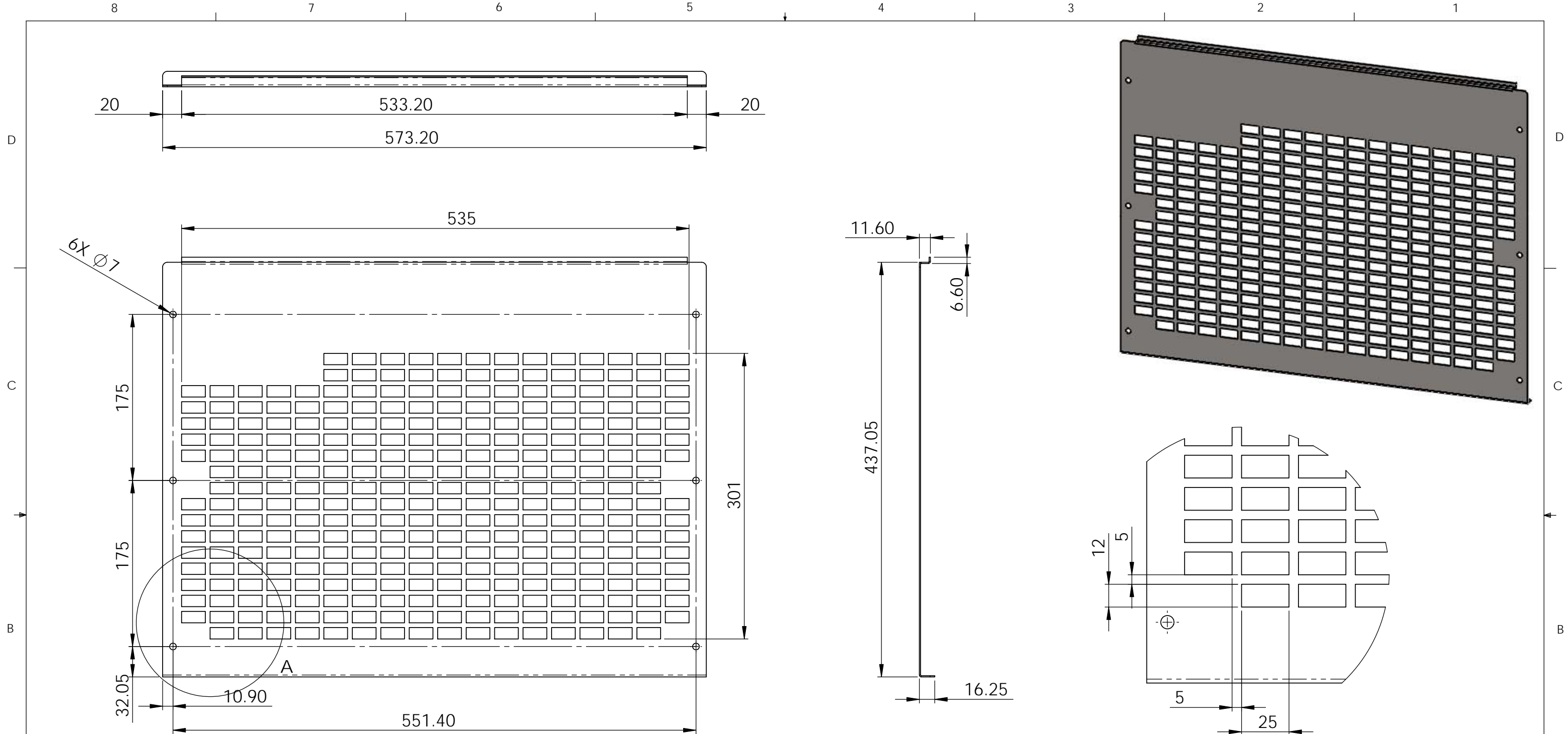
A



NOTES:

- 1. SCREW FASTENERS ARE NOT REQUIRED FOR ASSEMBLY.

	Scale: N/A	Tolerancing Standard: ISO 8015 REF. DOC. HRB8687100	Units of Measure: MILLIMETERS
		<b>TITLE: TERMINAL BOX</b> TITLE: TERMINAL BOX	
		Number: HRB6418100	Revision: <b>03</b>
<small>All information and data contained in this document are the exclusive property of Schneider Electric Industries SAS and may neither be used nor disclosed without its prior written consent.</small>			State: <b>Released for Manufacturing</b> <small>Printed on 2017/09/21</small>



DETAIL A  
SCALE 1 : 2  
TYPICAL

NOTES:

1. REMOVE BURRS AND BREAK SHARP EDGES.
2. TERMINAL BOX COVER TO BE POWDER COATED.

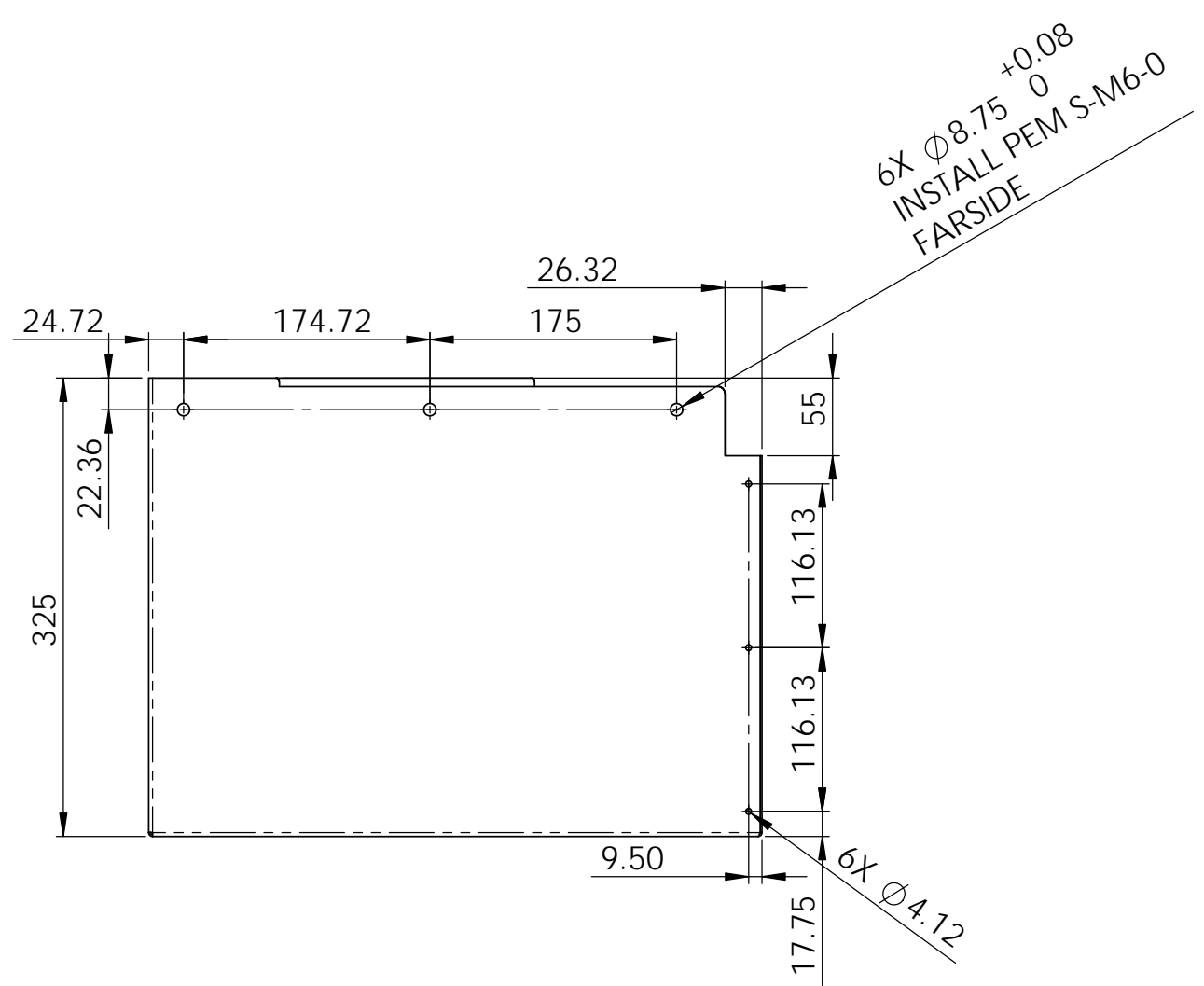
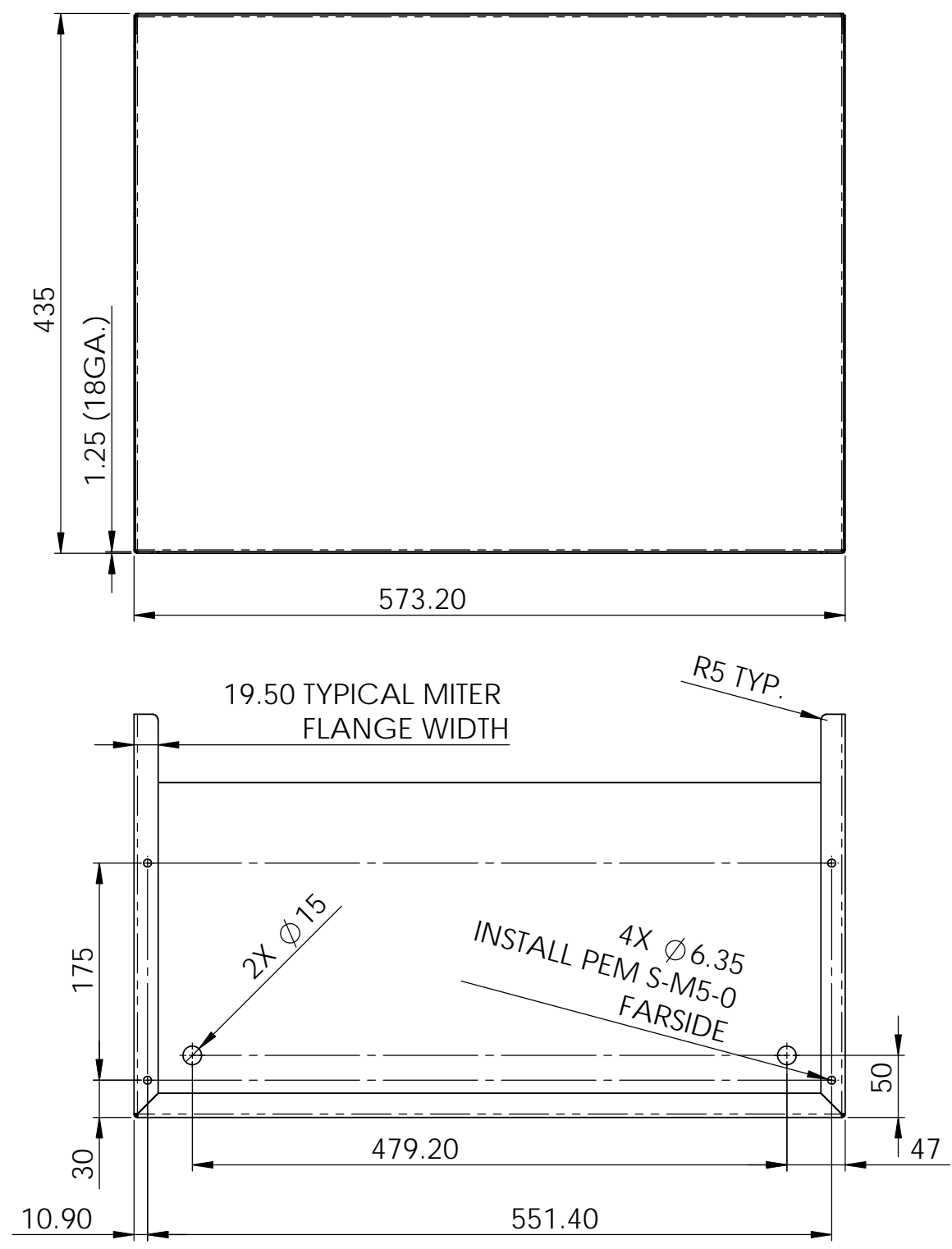
	Scale: N/A	Tolerancing Standard: ISO 8015 REF. DOCU. HRB8687100	Units of Measure: MILLIMETERS
		<b>TITLE: TERMINAL BOX COVER</b> TITLE: TERMINAL BOX COVER	
Number: HRB6418100		Revision: <b>03</b>	Sheet: 2 OF 4

All information and data contained in this document are the exclusive property of Schneider Electric Industries SAS and may neither be used nor disclosed without its prior written consent.

State:

Released for Manufacturing  
Printed on 2017/09/21

D  
C  
B  
A



NOTES:

1. REMOVE BURRS AND BREAK SHARP EDGES.
2. SECURE SIDE AND REAR FLANGES TOGETHER USING 6 EACH CLOSED END RIVETS.
3. TERMINAL BOX WILL NOT BE POWDER COATED.

	Scale: N/A	Tolerancing Standard: ISO 8015 REF. DOCU. HRB8687100	Units of Measure: MILLIMETERS
		TITLE: <b>TERMINAL BOX</b> TITLE: <i>TERMINAL BOX</i>	
Number: HRB6418100		Revision: <b>03</b>	Sheet: 3 OF 4
All information and data contained in this document are the exclusive property of Schneider Electric Industries SAS and may neither be used nor disclosed without its prior written consent.		State: Released for Manufacturing Printed on 2017/09/21	

8 7 6 5 4 3 2 1

D

D

C

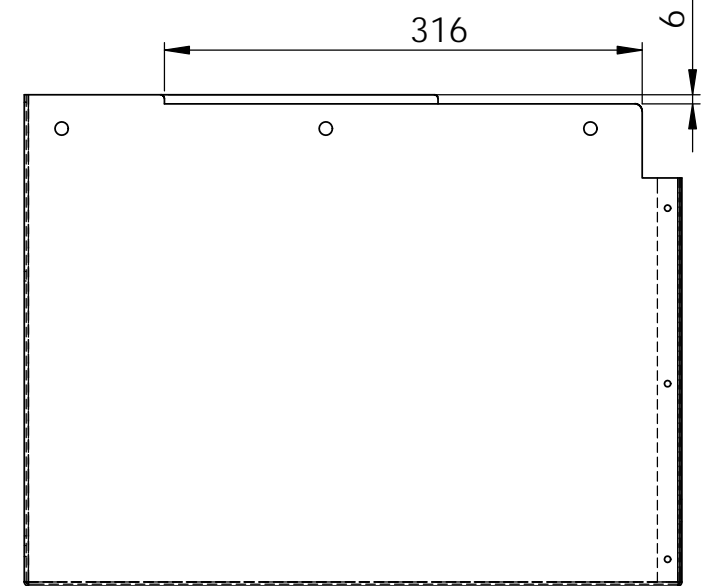
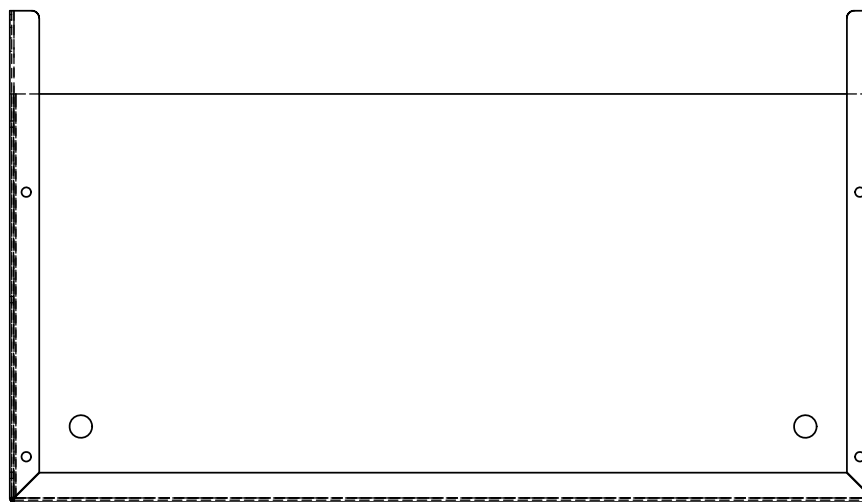
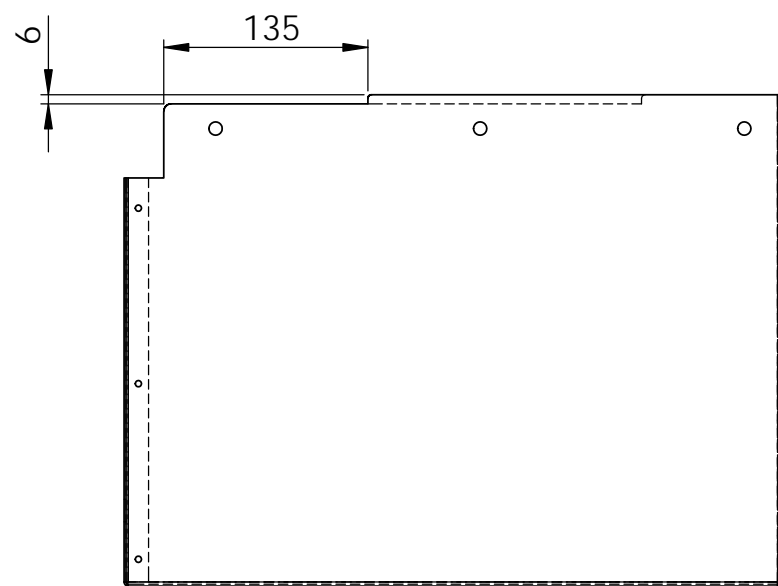
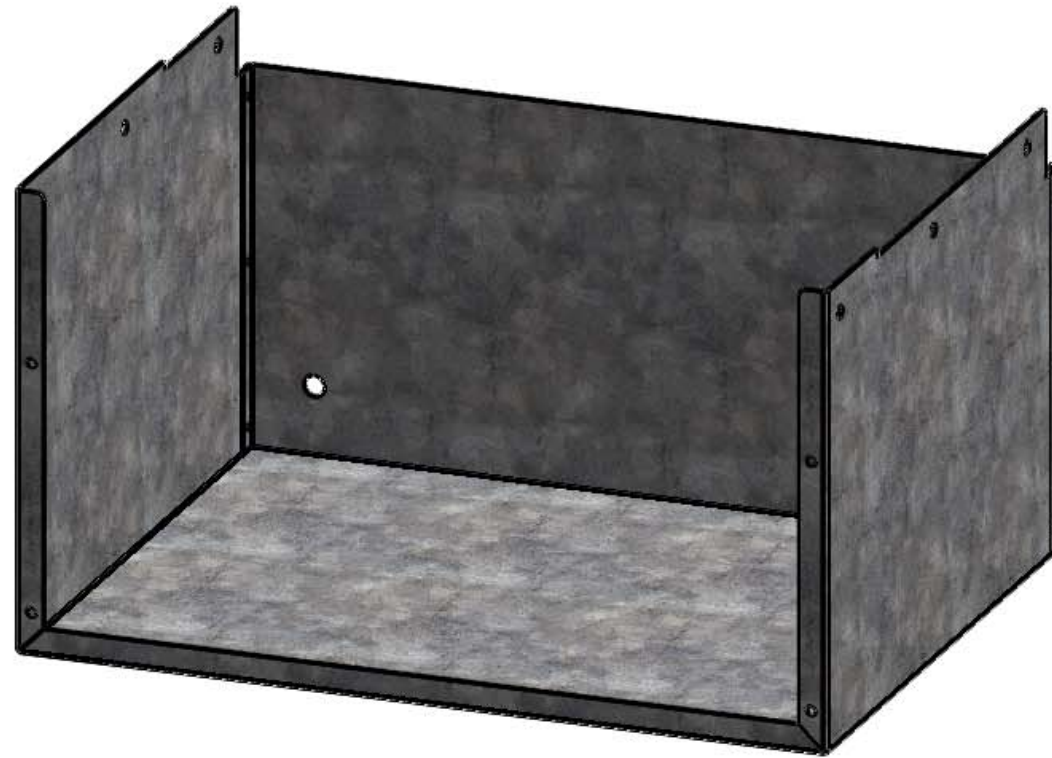
C

B

B

A

A



	Scale: N/A	Tolerancing Standard: ISO 8015 REF. DOCU. HRB8687100	Units of Measure: MILLIMETERS
		<b>TITLE: TERMINAL BOX</b> TITLE: TERMINAL BOX	
Number: HRB6418100		Revision: <b>03</b>	Sheet: 4 OF 4

All information and data contained in this document are the exclusive property of Schneider Electric Industries SAS and may neither be used nor disclosed without its prior written consent.

State:

Released for Manufacturing  
Printed on 2017/09/21

8 7 6 5 4 3 2 1