

Product End-of-Life Instructions

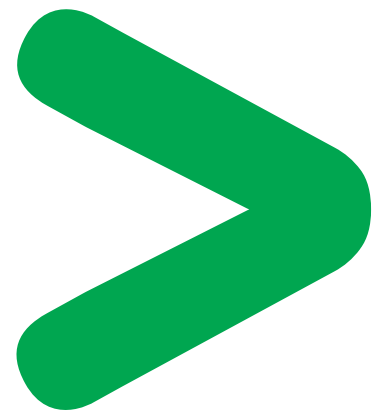
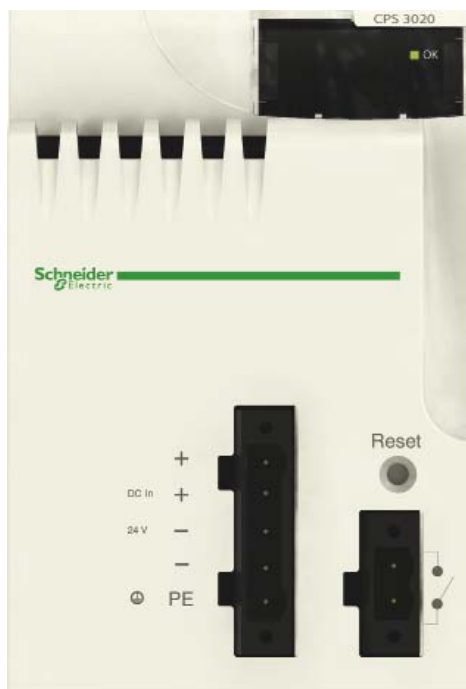
M340 Power Supply

Product Range

M340 Power Supply

Marketing Model

BMXCPS3020



Size in mm:

H x L x D: 68 x 101 x 99

Weight in kg (or g):

Between 250 and 450 g



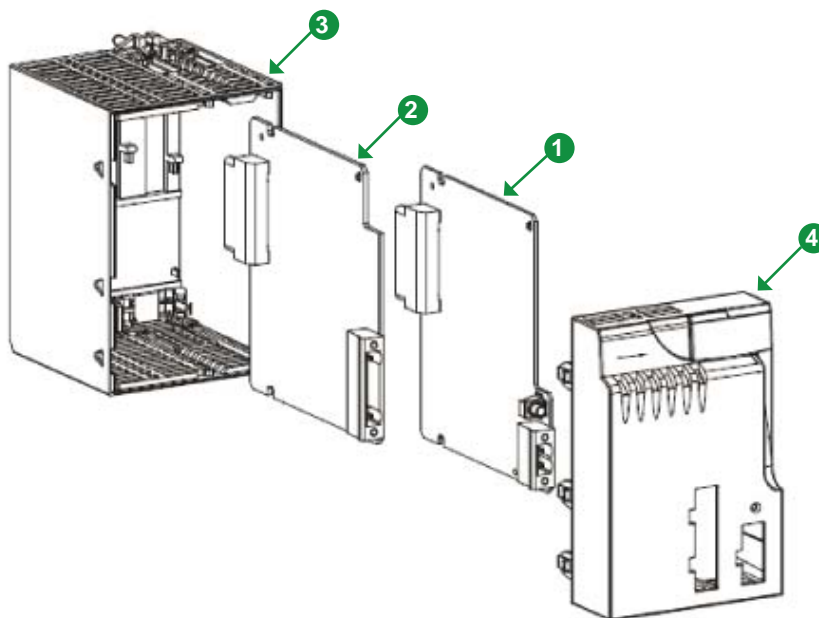
Schneider
Electric

Operations recommended for the end of life treatment

There are several steps to process the products at the end of life so as to recover components, materials or energy:

Reuse ⇒ **Separation for special treatment** ⇒ **Other dismantling** ⇒ **Shredding**

The components of the products that optimize the recycling performances are listed, identified and located hereunder.



Recommendation	Number on drawing	Components	Weight (g)	Comment
Special treatment	1 and 2	PCBA	150g	–
Other dismantling	3 and 4	Polycarbonate Plastic (PC)	90g	(Valorisation)

Schneider Electric Industries SAS

35, rue Joseph Monier
CS30323
F - 92506 Rueil Malmaison Cedex

RCS Nanterre 954 503 439
Capital social 896 313 776 €
www.schneider-electric.com

The version of the Guide used to create the document: End of Life Instruction Drafting Guide of Schneider Electric version V0.

Publication: Schneider Electric