



## Main

Range of product	Phaseo Dedicated
Product or component type	Power supply
Power supply type	Regulated switch mode
Kw Rating	60 W
Nominal Input Voltage	AC single phase DC
Output voltage	24 V DC
Power supply output current	2.5 A
Operating position	Any position
Vibration resistance	2 gn 9...150 Hz)EN/IEC 61131-2 3.5 mm 5...9 Hz)EN/IEC 61131-2
Name of test	Conducted interference EN 61000-4-8 level 4 Electrostatic discharges EN/IEC 61000-4-2 level 3 Induced electromagnetic field EN/IEC 61000-4-6 level 3 Radiated electromagnetic field EN/IEC 61000-4-3 level 3 Rapid transient IEC 61000-4-4 level 3 Conducted/Radiated emissions EN 55022 Class B Conducted/Radiated emissions EN/IEC 55011 Emission EN/IEC 61000-6-3 Primary outage IEC 61000-4-11 Surge EN/IEC 61000-4-5

## Complementary

Input voltage limits	85...264 V
Network frequency	47...63 Hz
Inrush current	50 A 115 V AC 100 A 230 V AC
Cos phi	0.65
Efficiency	80 %
Power dissipation in W	15 W
Current consumption	1 A 240 V 2 A 100 V
Input protection type	Integrated fuse (not interchangeable)
Output voltage limits	21.6...26.4 V
Line and load regulation	+/- 3 %
Holding time	>= 10 ms 100 V >= 40 ms 240 V
Output protection type	Against overload 1.1...1.5 x In Against overvoltage tripping if U > 1.25 x Un Against short-circuits automatic reset Thermal
Connections - terminals	Ground connection screw type terminals 1 x 4 mm <sup>2</sup> AWG 12 Input connection screw type terminals 2 x 4 mm <sup>2</sup> AWG 12 Output connection screw type terminals 2 x 4 mm <sup>2</sup> AWG 12
Marking	CE
Mounting support	Reversible mounting bracket Panel
Operating altitude	6561.68 ft (2000 m)
Output coupling	Parallel Series

Overvoltage category	II
Meantime between failure [MTBF]	100000 h 104 °F (40 °C)
Status LED	Output voltage 1 LED Green)
Net Weight	0.97 lb(US) (0.44 kg)

## Environment

Product certifications	TUV 60950-1 UL 508 CCSAus RCM KC CSA 22-2 No 60950-1 EAC
Environmental characteristic	EMC EN 50081-1 EMC EN 50082-2 EMC EN 61000-6-3 EMC EN/IEC 61000-6-2 Safety EN/IEC 60950-1 Safety SELV
IP degree of protection	IP20 EN/IEC 60950
Ambient air temperature for operation	32...113 °F (0...45 °C) without derating) 113...140 °F (45...60 °C) with derating factor)
Ambient air temperature for storage	-13...185 °F (-25...85 °C)
Relative humidity	20...90 %
Overvoltage category	Class I VDE 0106-1
Pollution degree	2
Dielectric strength	1500 V between input and ground 3000 V between input and output 500 V between output and ground




## Ordering and shipping details

Category	22524 - ABL1 DEDICATED POWER SUPPLIES
Discount Schedule	CP12
GTIN	00785901422761
Nbr. of units in pkg.	1
Package weight(Lbs)	1.21 lb(US) (0.55 kg)
Returnability	Yes
Country of origin	CN

## Packing Units

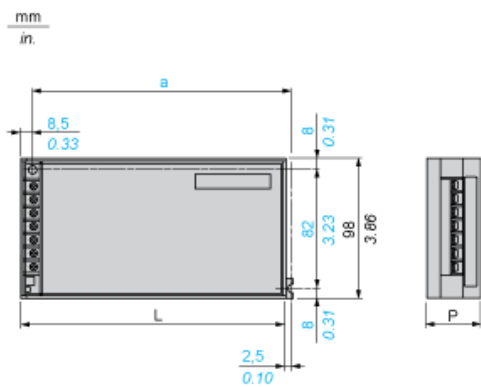
Unit Type of Package 1	PCE
Package 1 Height	2.17 in (5.5 cm)
Package 1 width	4.72 in (12 cm)
Package 1 Length	9.25 in (23.5 cm)
Unit Type of Package 2	P06
Number of Units in Package 2	96
Package 2 Weight	145.49 lb(US) (65.992 kg)
Package 2 Height	28.94 in (73.5 cm)
Package 2 width	31.50 in (80 cm)
Package 2 Length	23.62 in (60 cm)

## Offer Sustainability

Sustainable offer status	Green Premium product
EU RoHS Directive	Pro-active compliance (Product out of EU RoHS legal scope)  <a href="#">EU RoHS Declaration</a>
Mercury free	Yes
RoHS exemption information	 Yes
China RoHS Regulation	 <a href="#">China RoHS Declaration</a>

Environmental Disclosure	<a href="#">Product Environmental Profile</a>
Circularity Profile	<a href="#">End Of Life Information</a>
PVC free	Yes
<b>Contractual warranty</b>	
Warranty	18 months

Dimensions



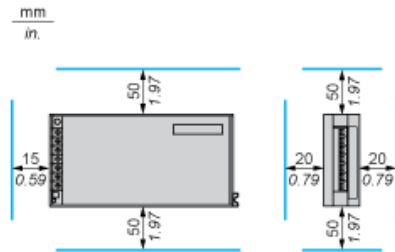
Dimensions in mm

a	L	P
144	150	38

Dimensions in in.

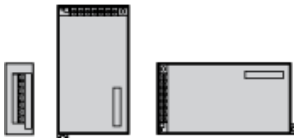
a	L	P
5.67	5.91	1.50

Clearance



Mounting Way

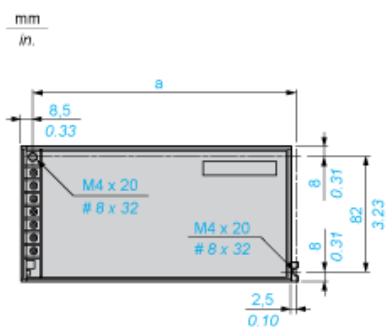
Mounting on Vertical Plane



Mounting on Horizontal Plane



Direct Mounting by 2 M4 x 20 Screws



Dimensions in mm

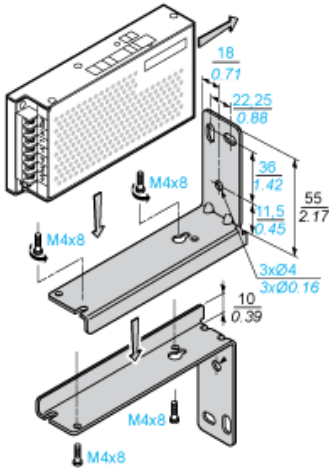
a
144

Dimensions in in

a
5.67

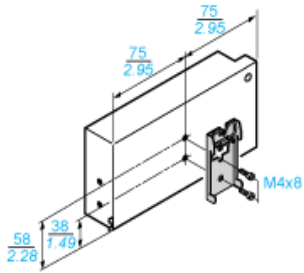
Mounting on the Back on ABL 1A01 Reversible Bracket by Three 4 mm Diameter Screws

mm  
in.

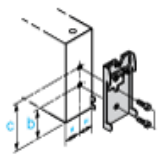


### Mounting on ABL 1A02 Clip-on Mounting on 35 mm Rail

mm  
in.



### Mounting by the Back



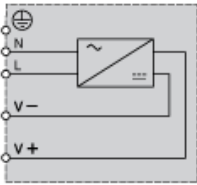
Dimensions in mm

b	c
38	58

Dimensions in in.

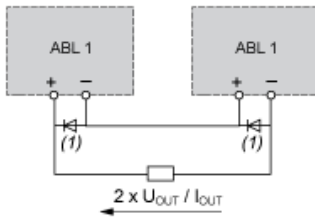
b	c
1.50	2.28

## Internal Wiring Diagram

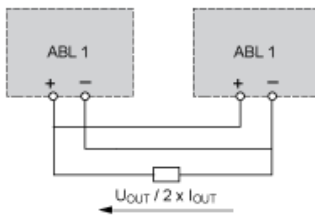


## Series or Parallel Connection

### Series Connection



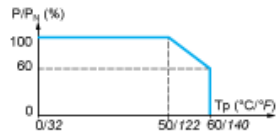
### Parallel Connection



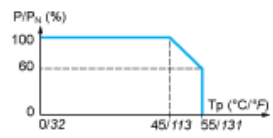
(1) 8 A/100 V Schottky diode

Derating Curves

Mounting on Vertical Plane



Mounting on Horizontal Plane



Load Limits Curve

