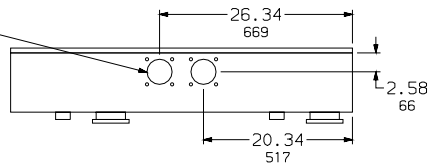


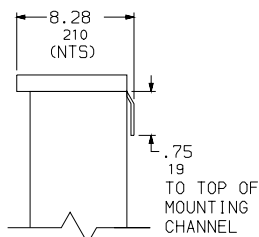
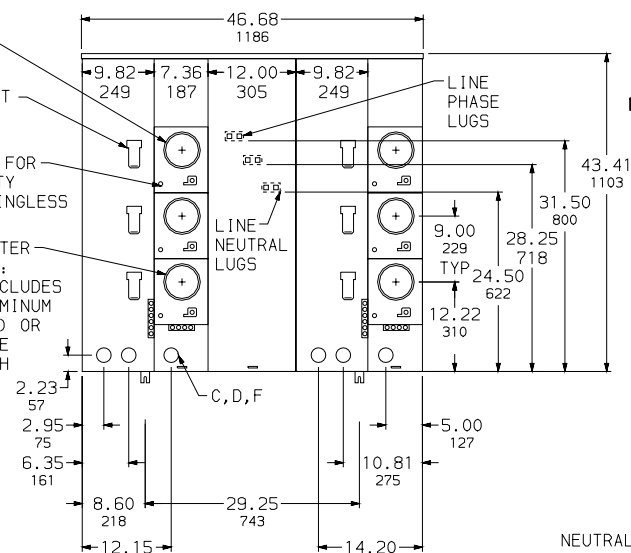
SUPPLIED WITH ACPL CLOSING PLATE (FOR UNDERGROUND SERVICE), ORDER TYPE A-L HUB SEPARATELY (FOR OVERHEAD SERVICE)



TOP LEFT POSITION OMITTED ON 5-GANG UNIT

TENANT CIRCUIT BREAKER DOORS (PADLOCKABLE)
COVER KNOCKOUT FOR USE WITH UTILITY BARREL LOCK (RINGLESS DEVICES ONLY)

INDIVIDUAL METER SOCKET COVERS: RING TYPE (INCLUDES SNAP TYPE ALUMINUM SEALING RINGS) OR RINGLESS STYLE (SUPPLIED WITH COVER SEALING LATCHES)

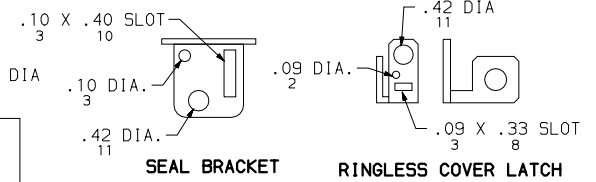
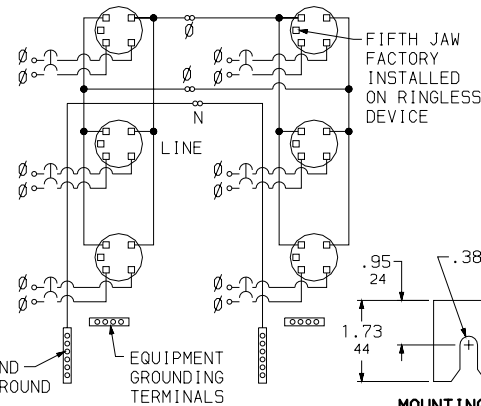


MOUNTING CHANNEL DETAIL

SYMBOL	KNOCKOUTS			
	CONDUIT SIZE		HOLE DIAMETER	
A	.50	13	.88	22
B	.75	19	1.25	32
C	1.00	25	1.38	35
D	1.25	32	1.75	44
E	1.50	38	2.00	51
F	2.00	51	2.50	64
G	2.50	64	3.00	76
H	3.00	76	3.63	92
I	3.50	89	4.13	105
J	4.00	102	4.63	118

TENANT SERVICE DISCONNECTS (ORDER ONE PER SOCKET POSITION)			
AMPERE RATING	CATALOG NUMBER	SHORT CIRCUIT CURRENT RATING RMS SYMMETRICAL AMPERES ▲	WIRE RANGE (AWG) ●
100	QOM2100MM	10,000	# 4-250 AL/CU
125	QOM2125MM		
150	QOM2150MM		
175	QOM2175MM		
200	QOM2200MM		
100	QOM2100MVH	22,000	# 4-250 AL/CU
125	QOM2125MVH		
150	QOM2150MVH		
175	QOM2175MVH		
200	QOM2200MVH		

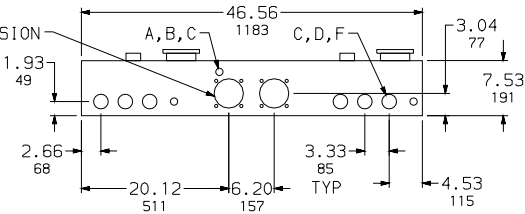
ALTERNATE MECHANICAL LUGS	
WIRE SIZE	CATALOG NO.
(1) 1/0-600 AWG/KCMIL OR (2) 1/0-250 PER PHASE	MMLK250
(2) 3/0-500 AWG/KCMIL PER PHASE	MMLK500
(2) 2-600 AWG/KCMIL PER PHASE	MMLK600



MOUNTING FOOT

DUAL DIMENSIONS: INCHES MILLIMETERS

A-L HUB PROVISION G,H,I,J



NOTES:

- FINISH - UL COMPONENT RECOGNIZED GRAY BAKED POWDER COAT PAINT OVER CLEANED PHOSPHATIZED STEEL.
- UL LISTED - FILE E-6294. SUITABLE ONLY FOR USE AS SERVICE EQUIPMENT. SUITABLE FOR OH/UG SERVICE.
- RING-TYPE DEVICE SUPPLIED WITH 4-JAW METER SOCKET, 5TH JAW KIT AVAILABLE.
- SURFACE MOUNT, CONVERTIBLE TO SEMI-FLUSH WITH FIELD INSTALLED KIT.
- MECHANICAL LUGS FACTORY INSTALLED, LUG LANDING PADS AVAILABLE.
- LOAD PHASE LUGS ARE SUPPLIED AS A PART OF THE CIRCUIT BREAKER (TENANT SERVICE DISCONNECT).
- ▲ SHORT CIRCUIT CURRENT RATING OF METER CENTER IS EQUAL TO THE RATING OF THE LOWEST INSTALLED TENANT SERVICE DISCONNECT.
- ± LUGS LARGER THAN 600 KCMIL REQUIRE USE OF LUG LANDING PADS (ORDER CATALOG NUMBER MMSK2 SEPARATELY).
- WIRE BENDING SPACE PER NEC TABLE 373-6.

METER SOCKET COVER	NO. OF METER SOCKETS	NO. OF JAWS	FACTORY INSTALLED BYPASS	120/240VAC, 1Ø 3 WIRE OR 208Y/240VAC, 1Ø 3 WIRE (5TH JAW REQUIRED)		LOAD LUG WIRE SIZES (AWG-KCMIL)	
				MAIN BUS RATING	CATALOG NUMBER	LINE LUG WIRE SIZES (AWG/KCMIL) PHASE AND NEUTRAL	PHASE ■ NEUTRAL, SERVICE GROUND & EQUIPMENT GROUNDING
RING-TYPE	5	4	NONE	800	MP85-200	(2) 3/0-500	SEE CIRCUIT BREAKER WIRE SIZE #6-300
RING-TYPE	6	4	NONE	800	MP86-200		
RINGLESS	5	5	NONE	800	MPR85-200		
RINGLESS	5	5	HORN	800	MPH85-200		
RINGLESS	6	5	NONE	800	MPR86-200		
RINGLESS	6	5	HORN	800	MPH86-200		

MP METER-PAK METERING EQUIPMENT
NEMA TYPE 3R ENCLOSURE
200A MAXIMUM TENANT CIRCUIT BREAKERS

SQUARE D COMPANY

DWG. NO. 2529