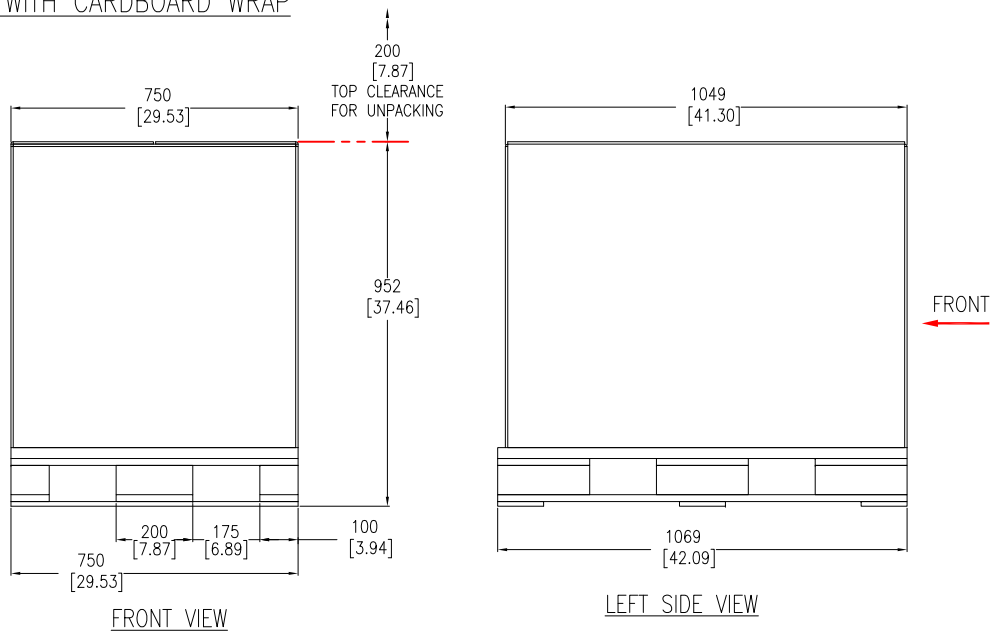
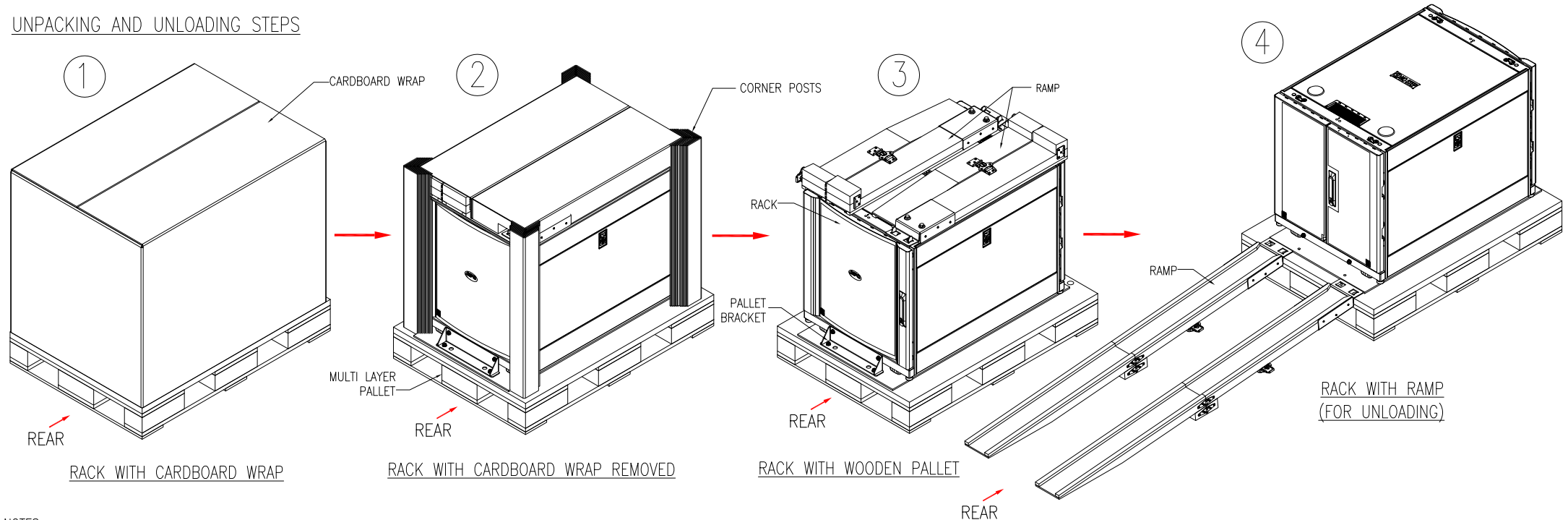


RACK WITH CARDBOARD WRAP



UNPACKING AND UNLOADING STEPS



NOTES:

1. INSTALLATION SHALL COMPLY WITH ALL APPLICABLE NATIONAL, STATE AND LOCAL ELECTRICAL REGULATIONS.
2. REFER TO PRODUCT DOCUMENTATION FOR ADDITIONAL DETAILS PRIOR TO INSTALLATION AND SITE PREPARATION WORK.
3. ALL DIMENSIONS ARE IN MILLIMETERS [INCHES].
4. SHIPPING WEIGHT OF UNIT IS 272kg [600 lb].
5. REFER TO INSTRUCTION MANUAL 990-6083 FOR UNPACKING AND RAMP ASSEMBLY AND UNLOADING DETAILS.

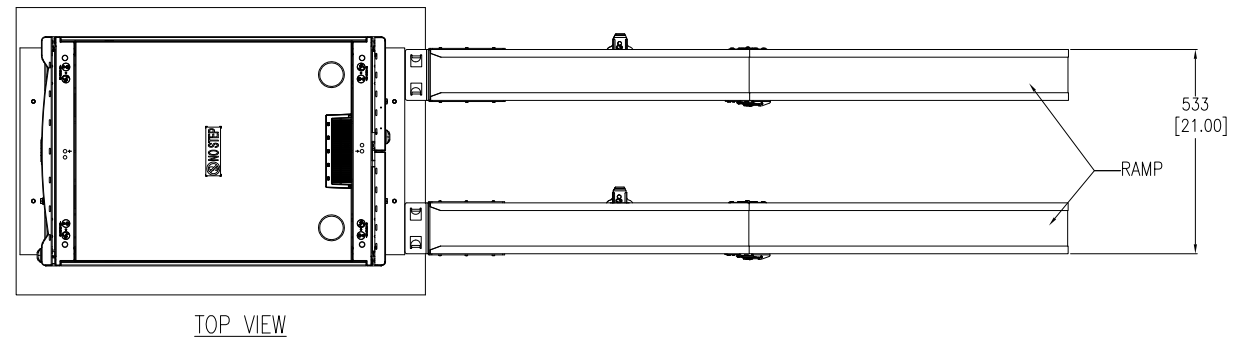
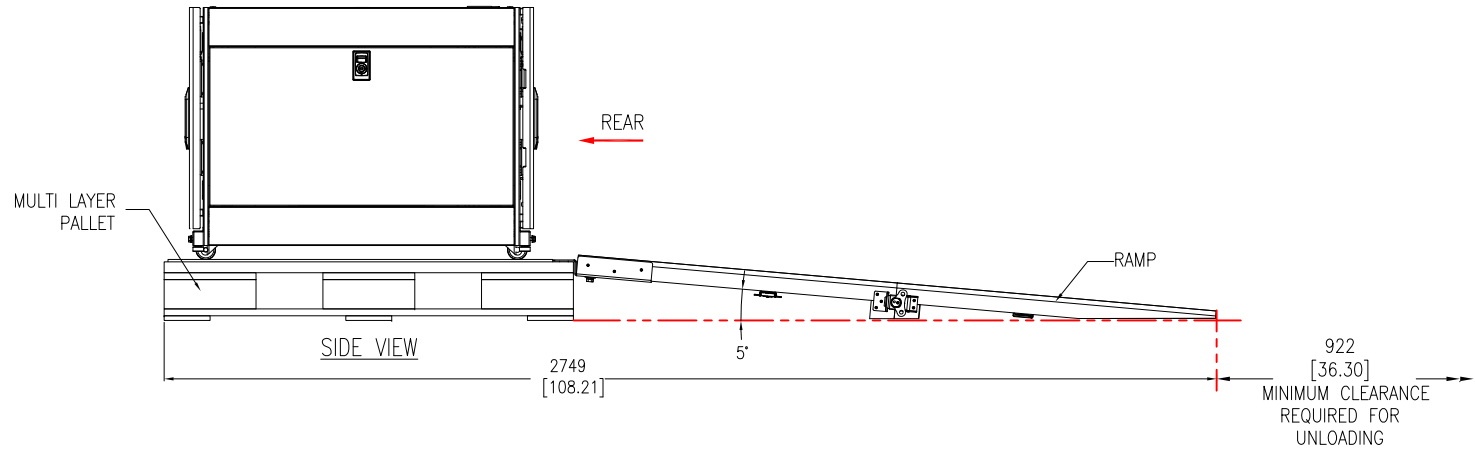
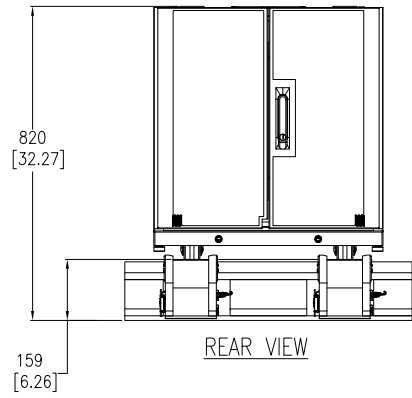
THIS DRAWING AND SPECIFICATIONS HEREIN ARE THE PROPERTY OF SCHNEIDER ELECTRIC AND SHALL NOT BE COPIED, REPRODUCED OR USED IN WHOLE OR IN PART, AS THE BASIS FOR THE MANUFACTURE OR SALE OF ITEMS WITHOUT WRITTEN PERMISSION FROM SCHNEIDER ELECTRIC. THIS DRAWING IS BASED UPON LATEST AVAILABLE INFORMATION AND IS SUBJECT TO CHANGE WITHOUT NOTICE.

Schneider Electric

TITLE: NetShelter SX 12U
600mm WIDE x 900mm DEEP SERVER RACK
ENCLOSURE WITH SIDES-SHOCK PACKAGING
PACKING & UNLOADING DETAILS

DWG NO: AR3003SP REV: 0
DRAWN BY: JAYAPRAKASH 07-MAY-19 FIRST ANGLE PROJECTION
ENGINEER: Jinxin REN 20-MAY-19
APPROVED BY: TBD 20-MAY-19

PROJECT: SUBMITTAL DRAWINGS SHEET 1 OF 5



NOTES:

1. INSTALLATION SHALL COMPLY WITH ALL APPLICABLE NATIONAL, STATE AND LOCAL ELECTRICAL REGULATIONS.
2. REFER TO PRODUCT DOCUMENTATION FOR ADDITIONAL DETAILS PRIOR TO INSTALLATION AND SITE PREPARATION WORK.
3. ALL DIMENSIONS ARE IN MILLIMETERS [INCHES].

THIS DRAWING AND SPECIFICATIONS HEREIN ARE THE PROPERTY OF SCHNEIDER ELECTRIC AND SHALL NOT BE COPIED, REPRODUCED OR USED IN WHOLE OR IN PART, AS THE BASIS FOR THE MANUFACTURE OR SALE OF ITEMS WITHOUT WRITTEN PERMISSION FROM SCHNEIDER ELECTRIC. THIS DRAWING IS BASED UPON LATEST AVAILABLE INFORMATION AND IS SUBJECT TO CHANGE WITHOUT NOTICE.

**Schneider
Electric**

TITLE: NetShelter SX 12U
600mm WIDEx900mm DEEP SERVER RACK
ENCLOSURE WITH SIDES-SHOCK PACKAGING
UNLOADING DETAILS

PROJECT: SUBMITTAL DRAWINGS SHEET 2 OF 5

DWG NO: AR3003SP

DRAWN BY: JAYAPRAKASH 07-MAY-19

ENGINEER: Jinxin REN 20-MAY-19

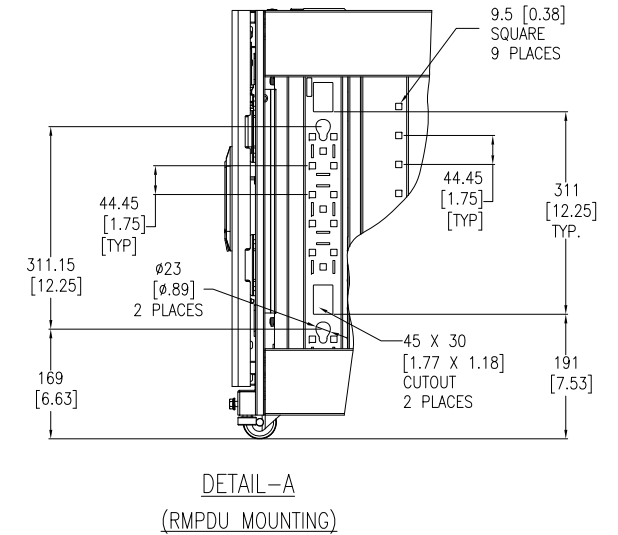
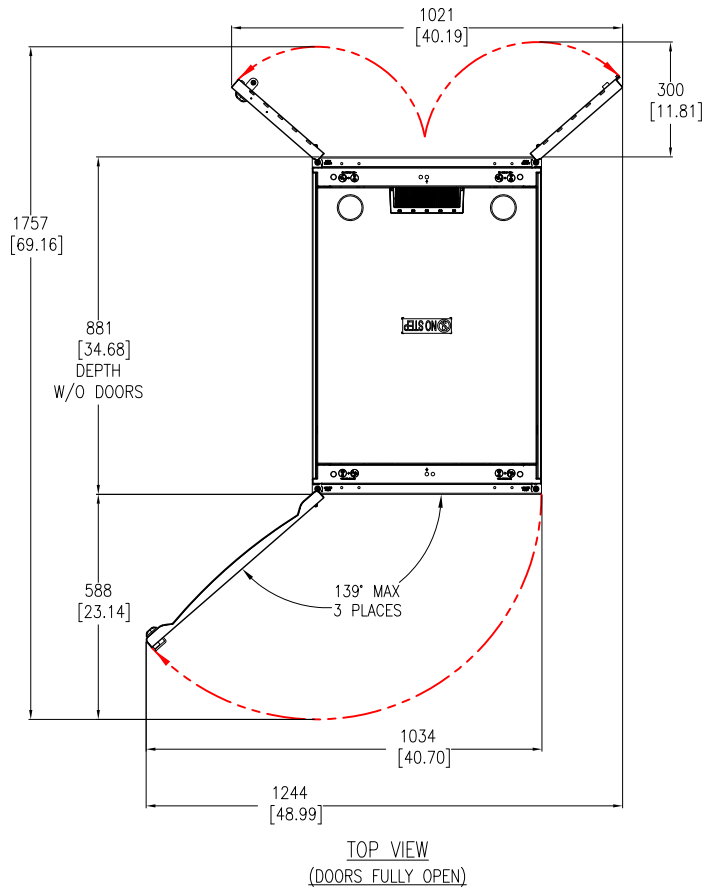
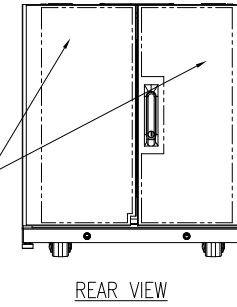
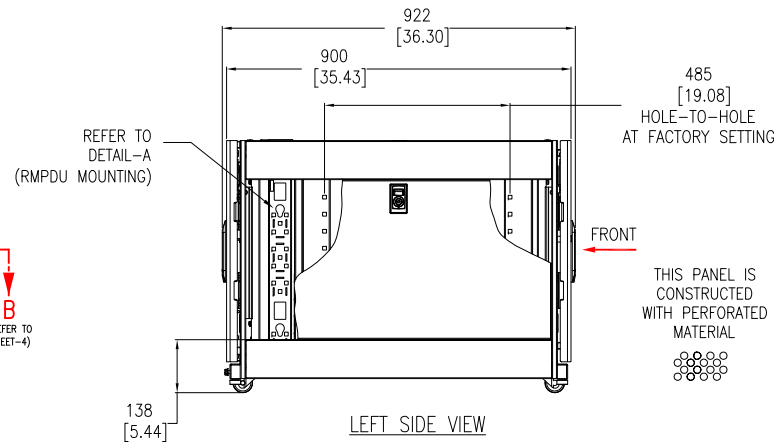
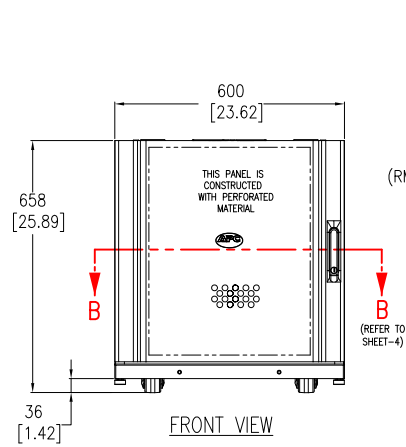
APPROVED BY: TBD 20-MAY-19

REV. 0

FIRST

ANGLE

PROJECTION



NOTES:

1. INSTALLATION SHALL COMPLY WITH ALL APPLICABLE NATIONAL, STATE AND LOCAL ELECTRICAL REGULATIONS.
2. REFER TO PRODUCT DOCUMENTATION FOR ADDITIONAL DETAILS PRIOR TO INSTALLATION AND SITE PREPARATION WORK.
3. ALL DIMENSIONS ARE IN MILLIMETERS [INCHES].
4. NET WEIGHT OF UNIT IS 54kg [119 lb].
5. MAXIMUM INSTALLED EQUIPMENT WEIGHT IS 272kg [600 lb].
6. CABLE ENTRY IS TOP OR BOTTOM OF THE UNIT.
7. FRONT AND REAR SERVICE ACCESS REQUIRED.
8. AIR FLOW AND SERVICE REQUIREMENTS, AS WELL AS MINIMUM CLEARANCE TO FIRE SUPPRESSION SYSTEMS SHOULD BE CONSIDERED WHEN LOCATING THE ENCLOSURE.

THIS DRAWING AND SPECIFICATIONS HEREIN ARE THE PROPERTY OF SCHNEIDER ELECTRIC AND SHALL NOT BE COPIED, REPRODUCED OR USED IN WHOLE OR IN PART, AS THE BASIS FOR THE MANUFACTURE OR SALE OF ITEMS WITHOUT WRITTEN PERMISSION FROM SCHNEIDER ELECTRIC. THIS DRAWING IS BASED UPON LATEST AVAILABLE INFORMATION AND IS SUBJECT TO CHANGE WITHOUT NOTICE.



TITLE: NetShelter SX 12U
600mm WIDEX900mm DEEP SERVER RACK
ENCLOSURE WITH SIDES-SHOCK PACKAGING
GENERAL ARRANGEMENT

DWG NO: AR3003SP

REV: 0

DRAWN BY: JAYAPRAKASH 07-MAY-19

FIRST

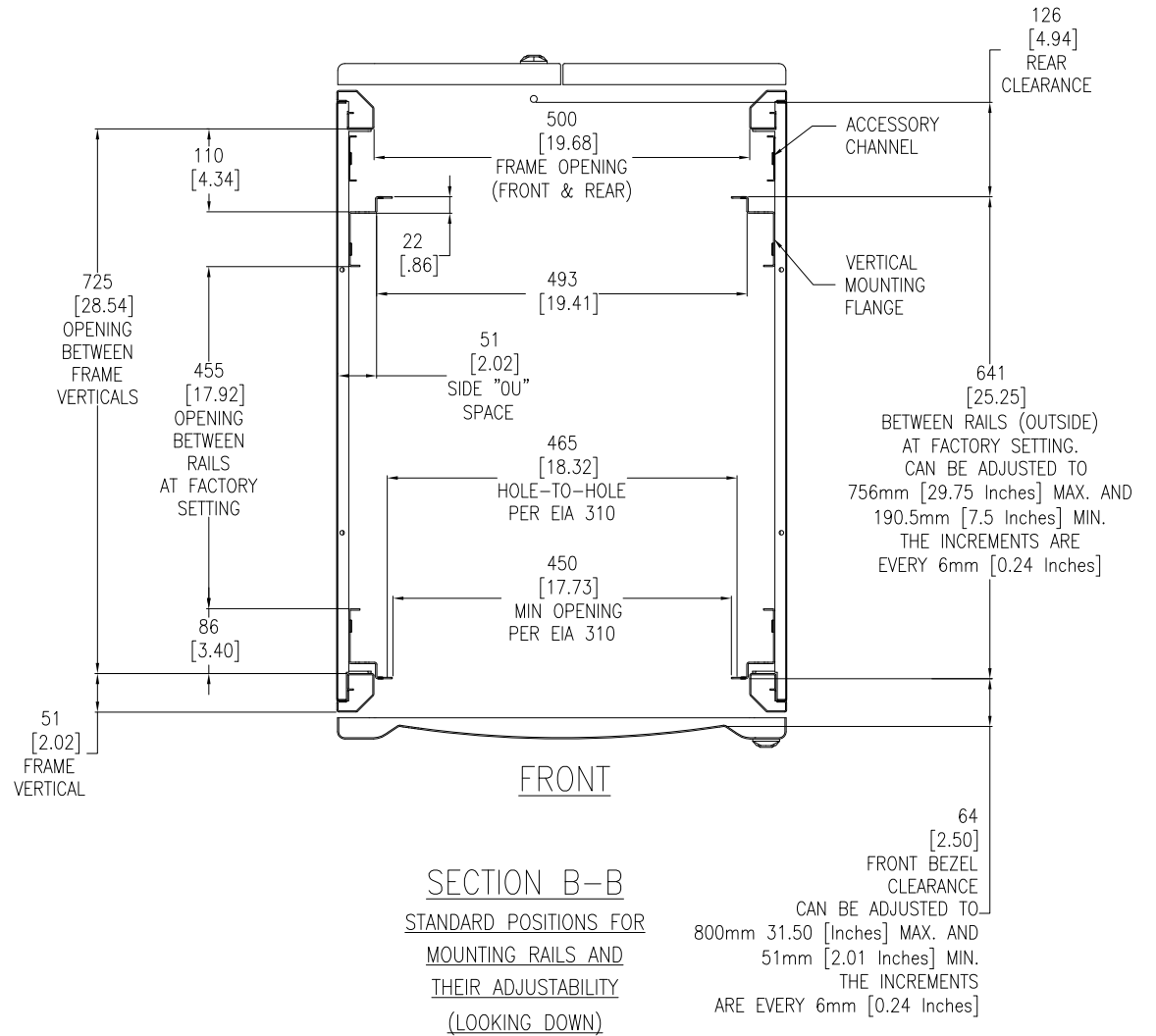
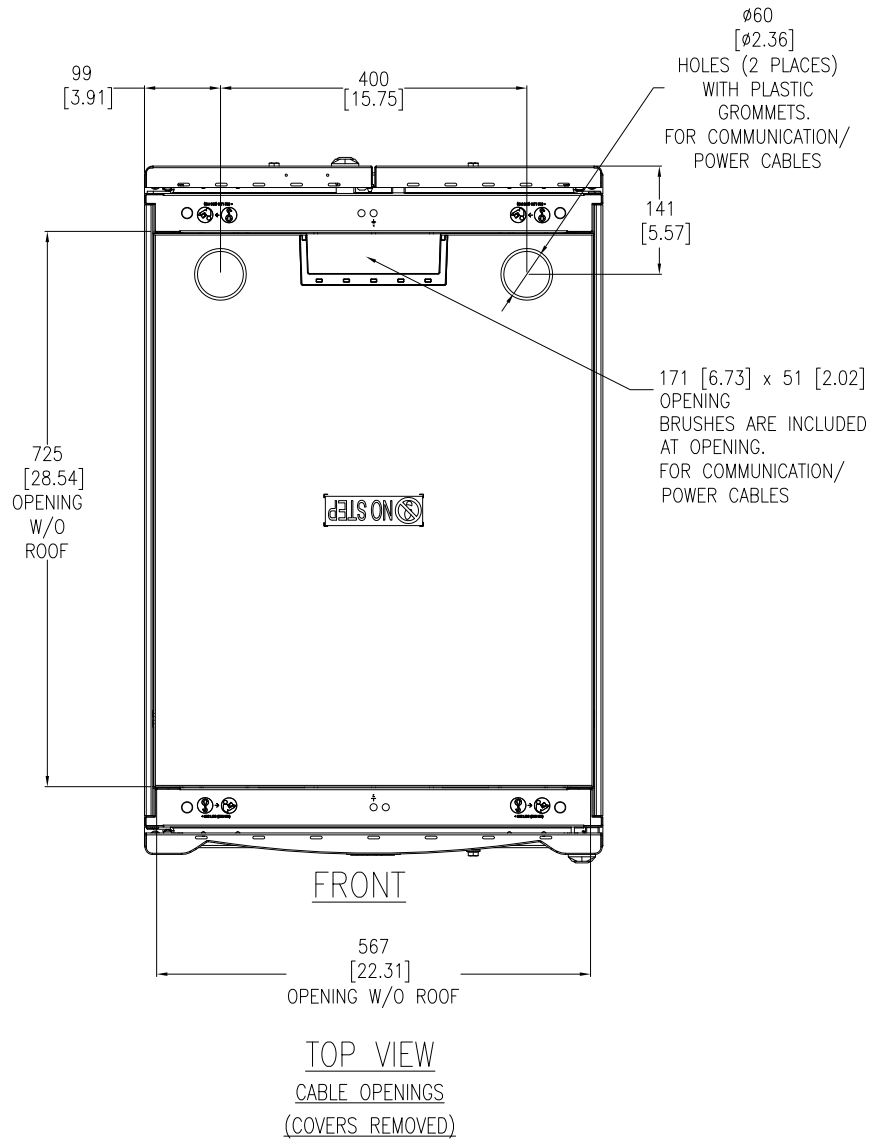
ENGINEER: Jimxin REN 20-MAY-19

ANGLE

PROJECT: SUBMITTAL DRAWINGS SHEET 3 OF 5

APPROVED BY: TBD 20-MAY-19

PROJECTION



- NOTES:
1. INSTALLATION SHALL COMPLY WITH ALL APPLICABLE NATIONAL, STATE AND LOCAL ELECTRICAL REGULATIONS.
 2. REFER TO PRODUCT DOCUMENTATION FOR ADDITIONAL DETAILS PRIOR TO INSTALLATION AND SITE PREPARATION WORK.
 3. ALL DIMENSIONS ARE IN MILLIMETERS [INCHES].

THIS DRAWING AND SPECIFICATIONS HEREIN ARE THE PROPERTY OF SCHNEIDER ELECTRIC AND SHALL NOT BE COPIED, REPRODUCED OR USED IN WHOLE OR IN PART, AS THE BASIS FOR THE MANUFACTURE OR SALE OF ITEMS WITHOUT WRITTEN PERMISSION FROM SCHNEIDER ELECTRIC. THIS DRAWING IS BASED UPON LATEST AVAILABLE INFORMATION AND IS SUBJECT TO CHANGE WITHOUT NOTICE.

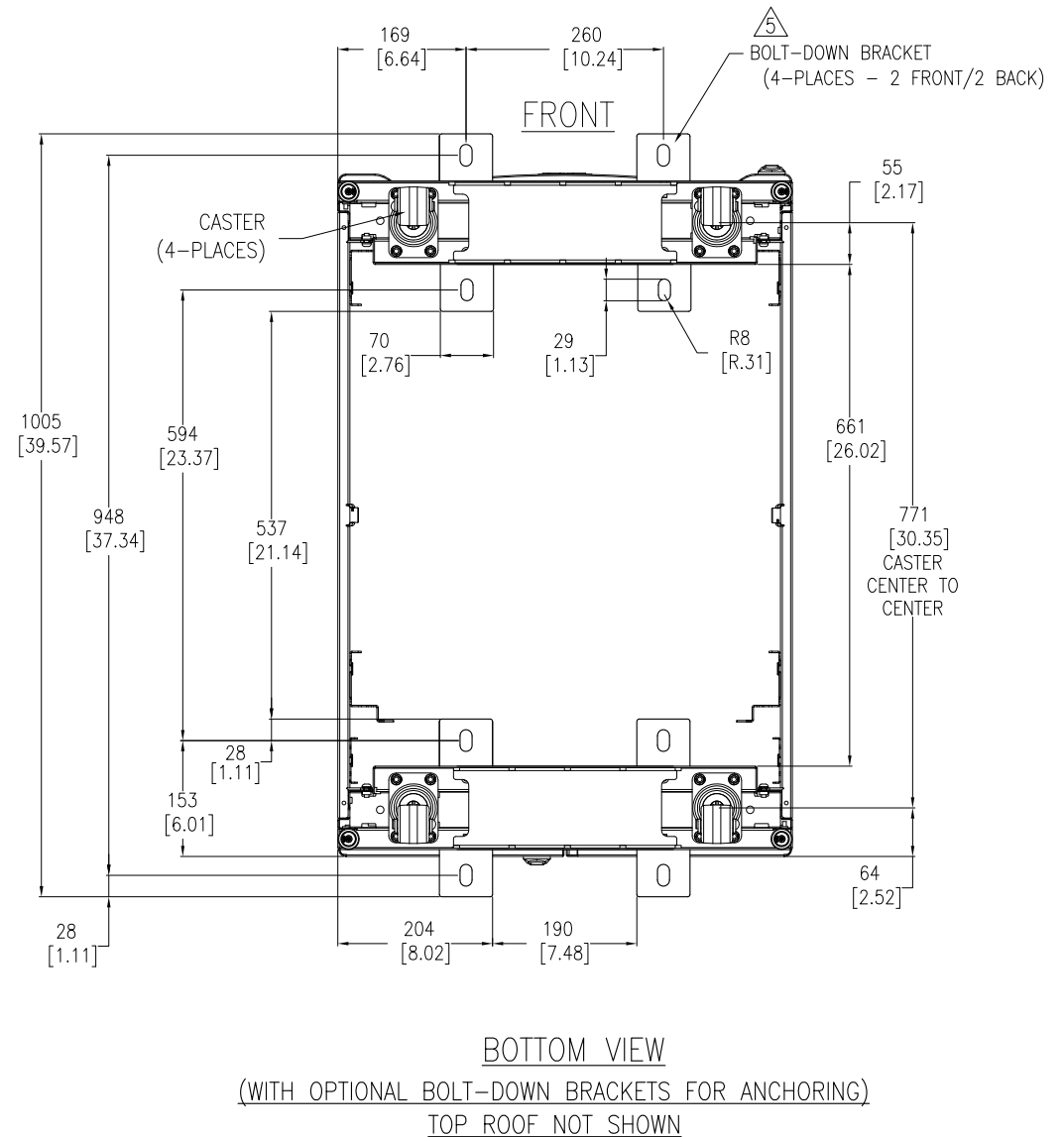
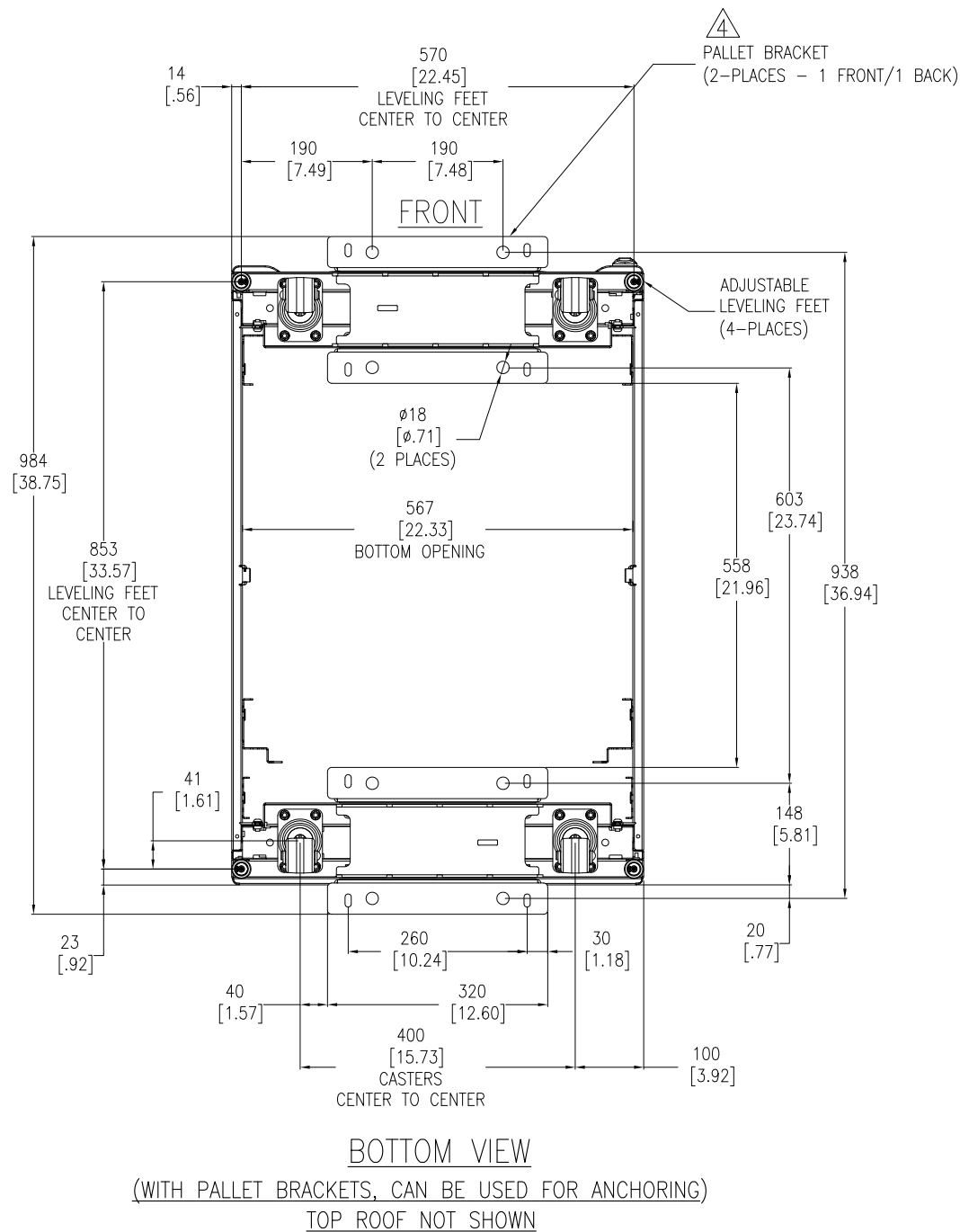
Schneider Electric

TITLE: NetShelter SX 12U
 600mm WIDEX900mm DEEP SERVER RACK
 ENCLOSURE WITH SIDES-SHOCK PACKAGING
 TOP VIEW & SECTION VIEW

PROJECT: SUBMITTAL DRAWINGS SHEET 4 OF 5

DWG NO: AR3003SP REV: 0

DRAWN BY: JAYAPRAKASH	07-MAY-19	FIRST ANGLE
ENGINEER: Jinxin REN	20-MAY-19	PROJECTION
APPROVED BY: TBD	20-MAY-19	



- NOTES:
1. INSTALLATION SHALL COMPLY WITH ALL APPLICABLE NATIONAL, STATE AND LOCAL ELECTRICAL REGULATIONS.
 2. REFER TO PRODUCT DOCUMENTATION FOR ADDITIONAL DETAILS PRIOR TO INSTALLATION AND SITE PREPARATION WORK.
 3. ALL DIMENSIONS ARE IN MILLIMETERS [INCHES].
 - △4. ANCHORING CAN BE INSTALLED EITHER INSIDE OR OUTSIDE THE NetShelter WITH ONE AT FRONT AND ONE IN BACK.
 - △5. BOLT-DOWN KIT (SKU# AR7701) IS OPTIONAL AND HAS TO BE ORDERED SEPARATELY.

THIS DRAWING AND SPECIFICATIONS HEREIN ARE THE PROPERTY OF SCHNEIDER ELECTRIC AND SHALL NOT BE COPIED, REPRODUCED OR USED IN WHOLE OR IN PART, AS THE BASIS FOR THE MANUFACTURE OR SALE OF ITEMS WITHOUT WRITTEN PERMISSION FROM SCHNEIDER ELECTRIC. THIS DRAWING IS BASED UPON LATEST AVAILABLE INFORMATION AND IS SUBJECT TO CHANGE WITHOUT NOTICE.

**Schneider
Electric**

TITLE:
NetShelter SX 12U
600mm WIDE x 900mm DEEP SERVER RACK
ENCLOSURE WITH SIDES-SHOCK PACKAGING
BOTTOM VIEWS & ANCHORING DETAILS

PROJECT: SUBMITTAL DRAWINGS SHEET 5 OF 5

DWG NO: AR3003SP REV: 0

DRAWN BY: JAYAPRAKASH 07-MAY-19 FIRST ANGLE PROJECTION

ENGINEER: Jinxin REN 20-MAY-19

APPROVED BY: TBD 20-MAY-19