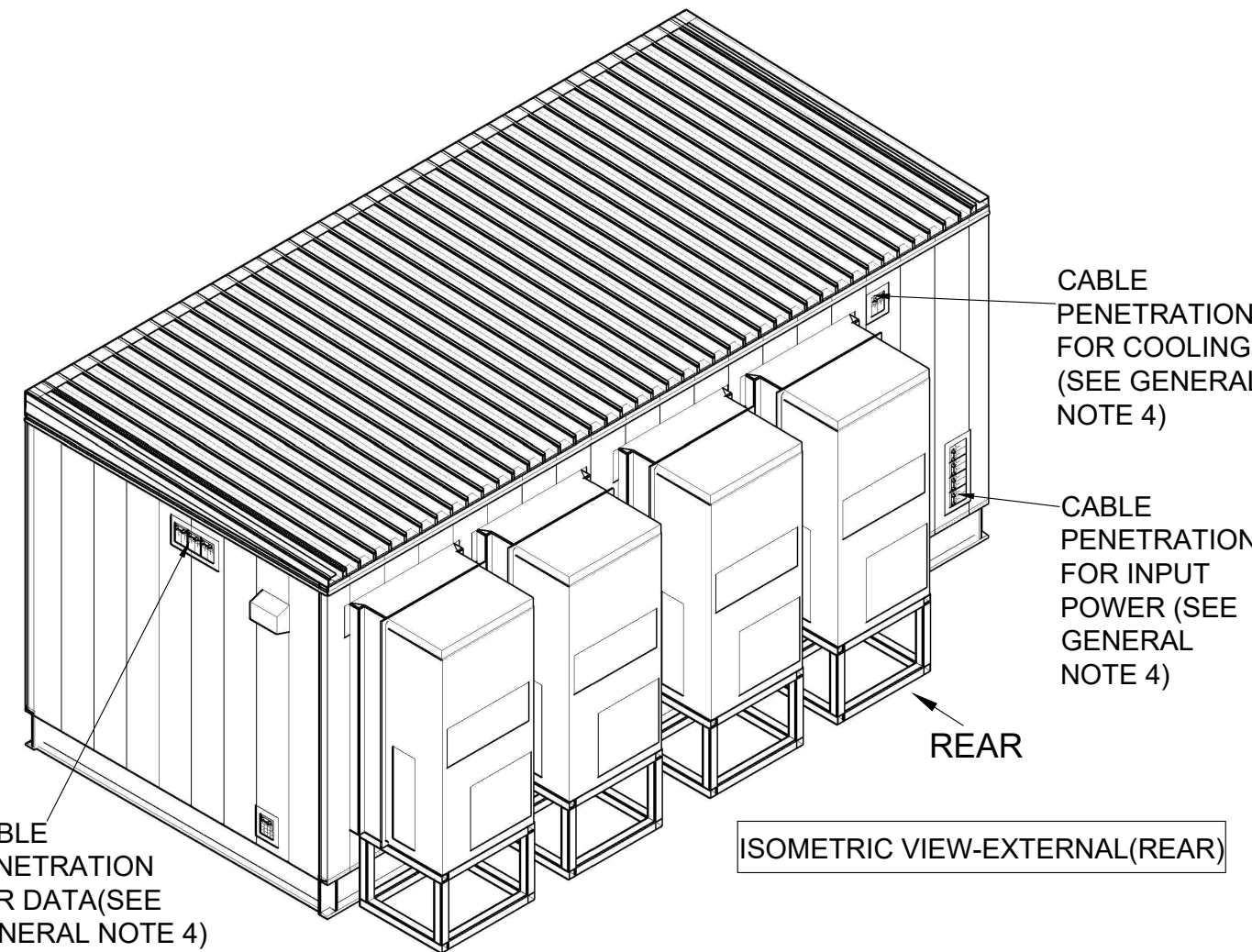
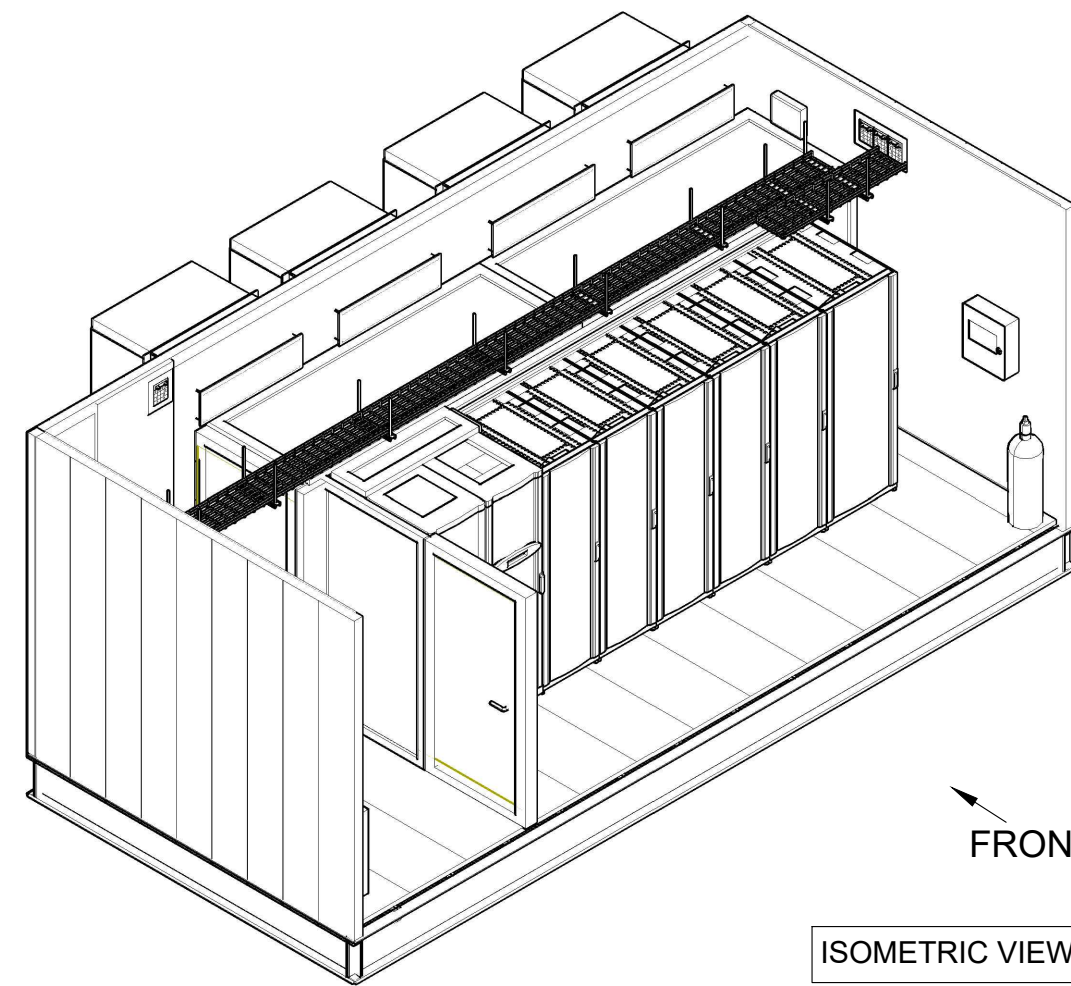
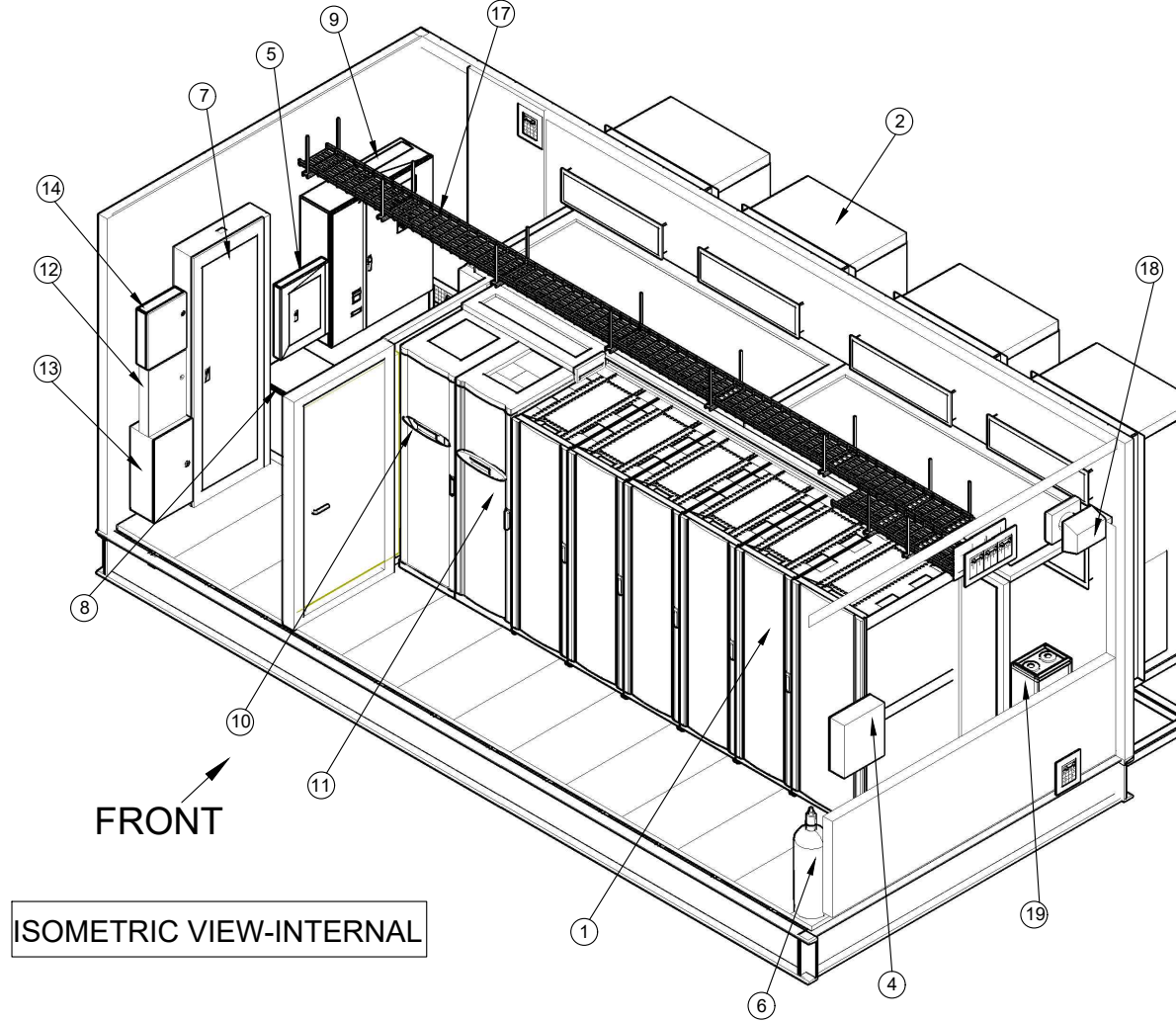
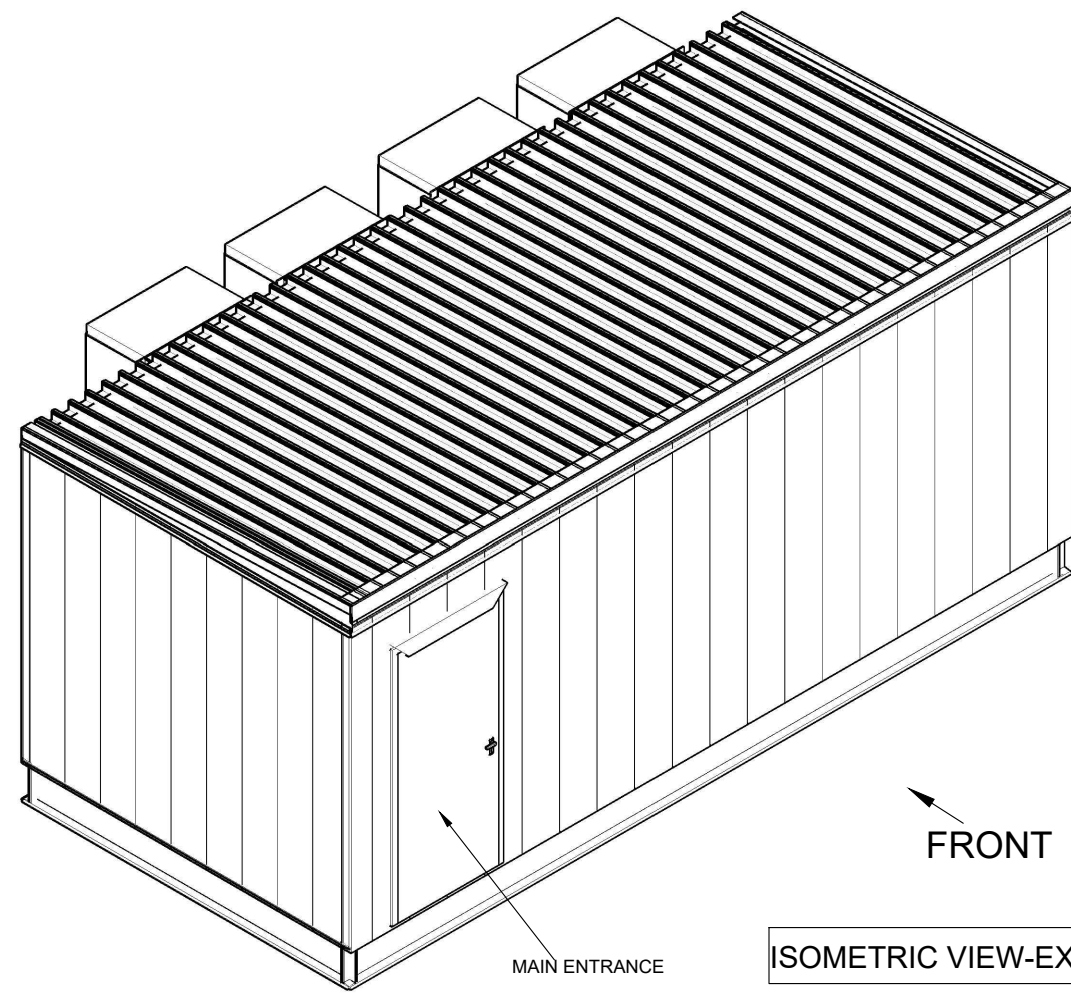


NOT FOR CONSTRUCTION

* - UNLESS OTHERWISE SPECIFIED QUANTITY IS ONE

SL.NO.	DESCRIPTION*
1	IT Racks-(qty 5) 42Ux600x1200, (qty 1) 42Ux750x1200
2	Wall Mount Cooling Unit(Typical)-WMF0661(qty 4)
3	Aisle Containment
4	Fire Alarm Control Panel
5	208V/120V Distribution Panel
6	Fire Suppression Cylinder
7	480V Main Distribution Panel
8	480-208/120V Step Down Transformer
9	ASCO-300 Automatic Transfer Switch(Service Entrance)
10	UPS Symmetra PX40 with Batteries
11	Power Distribution Cabinet for Symmetra PX40 UPS
12	Generator Annunciator Panel(Optional)
13	Control Panel
14	Access Control Panel(Optional)
15	120V Receptacle(Typical, See sectional views)
16	DX-Control Panel
17	Cable Tray(Typical)
18	Energy Recovery Ventilator System
19	Humidifier(Optional)



GENERAL NOTES:

1. INSTALLATION SHALL COMPLY WITH ALL APPLICABLE NATIONAL, STATE AND LOCAL CODES.
2. PLEASE REFER TO PRODUCT DOCUMENTATION FOR FURTHER INFORMATION.
3. UNLESS OTHERWISE SPECIFIED, ALL DIMENSIONS ARE IN INCHES[MILLIMETERS].
4. REFER TO ELECTRICAL DRAWINGS FOR OBTAINING CONDUIT SIZES AND THE EXACT LOCATIONS OF CABLE/CONDUIT PENETRATIONS FOR INPUT POWER, DATA CABLES AND COOLING SYSTEM.
5. REFER TO THE ELECTRICAL DRAWINGS FOR SPECIFIC DETAILS ON THE ELECTRICAL SYSTEM.

FILENAME/PATH:

REV	DESCRIPTION	DRWN	DATE	ENGR	DATE	APPR	DATE
0	THIS DRAWING IS BASED ON DRAWING NUMBER PLACEHOLDER - INITIAL RELEASE		DD-MMM-YY				

REVISIONS

THIS DRAWING AND SPECIFICATIONS HEREIN ARE THE PROPERTY OF SCHNEIDER ELECTRIC AND SHALL NOT BE COPIED, REPRODUCED OR USED IN WHOLE OR IN PART, AS THE BASIS FOR THE MANUFACTURE OR SALE OF ITEMS WITHOUT WRITTEN PERMISSION FROM SCHNEIDER ELECTRIC. THIS DRAWING IS BASED UPON LATEST AVAILABLE INFORMATION AND IS SUBJECT TO CHANGE WITHOUT NOTICE.

Schneider Electric

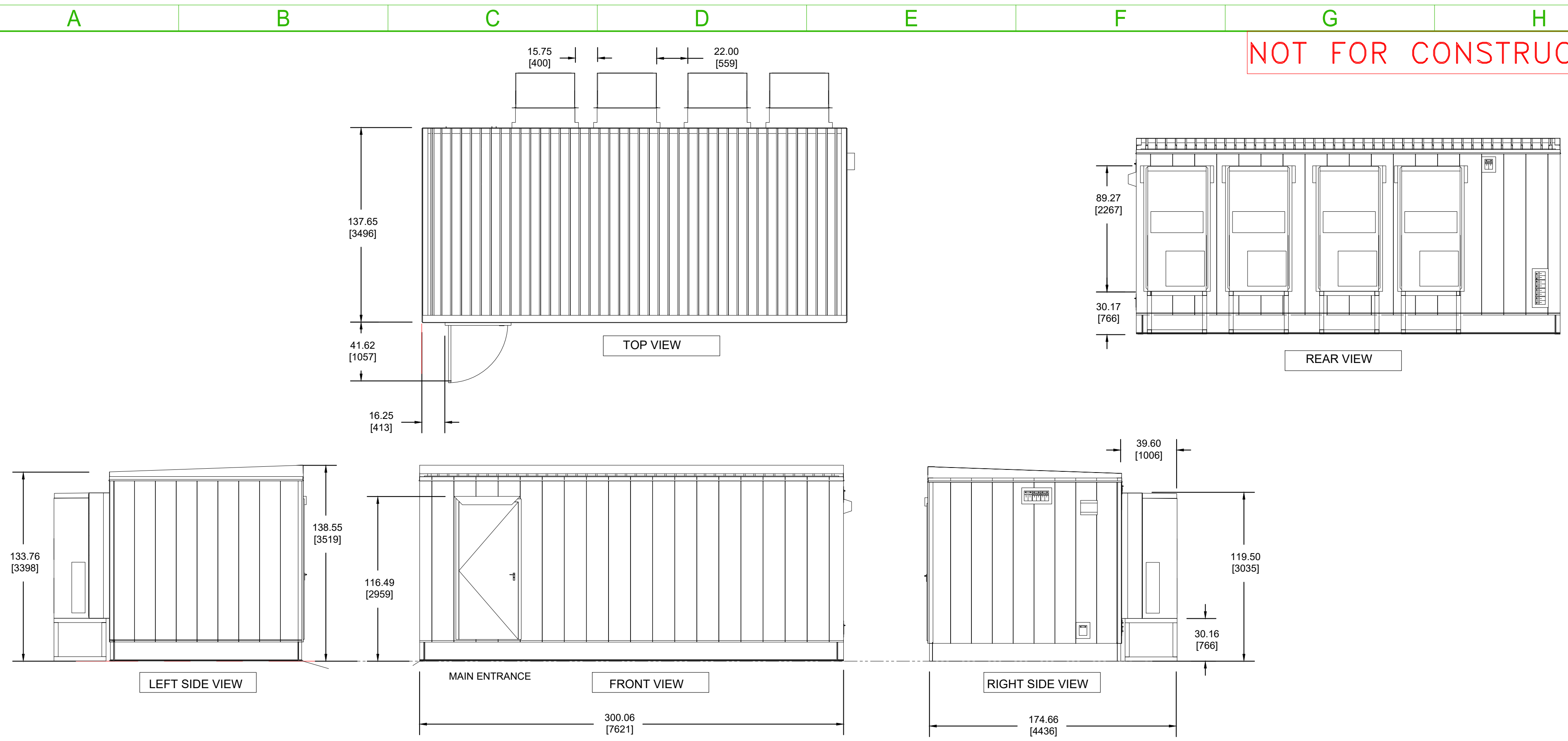
TITLE: PREFAB CONFIGURATION-2
35KW, ROOM COOLING, 6-RACKS
INPUT - 480V,3PH,4W
OUTPUT - 208V,3PH,4W
ISOMETRIC VIEWS

DWG NO: PEMIEC040D1N5D REV: A/0

PROJECT: INTouch#/DESIGN PORTAL IS# SHEET 1 OF 3

APPROVED: X XXX DD-MMM-YY

NOT FOR CONSTRUCTION

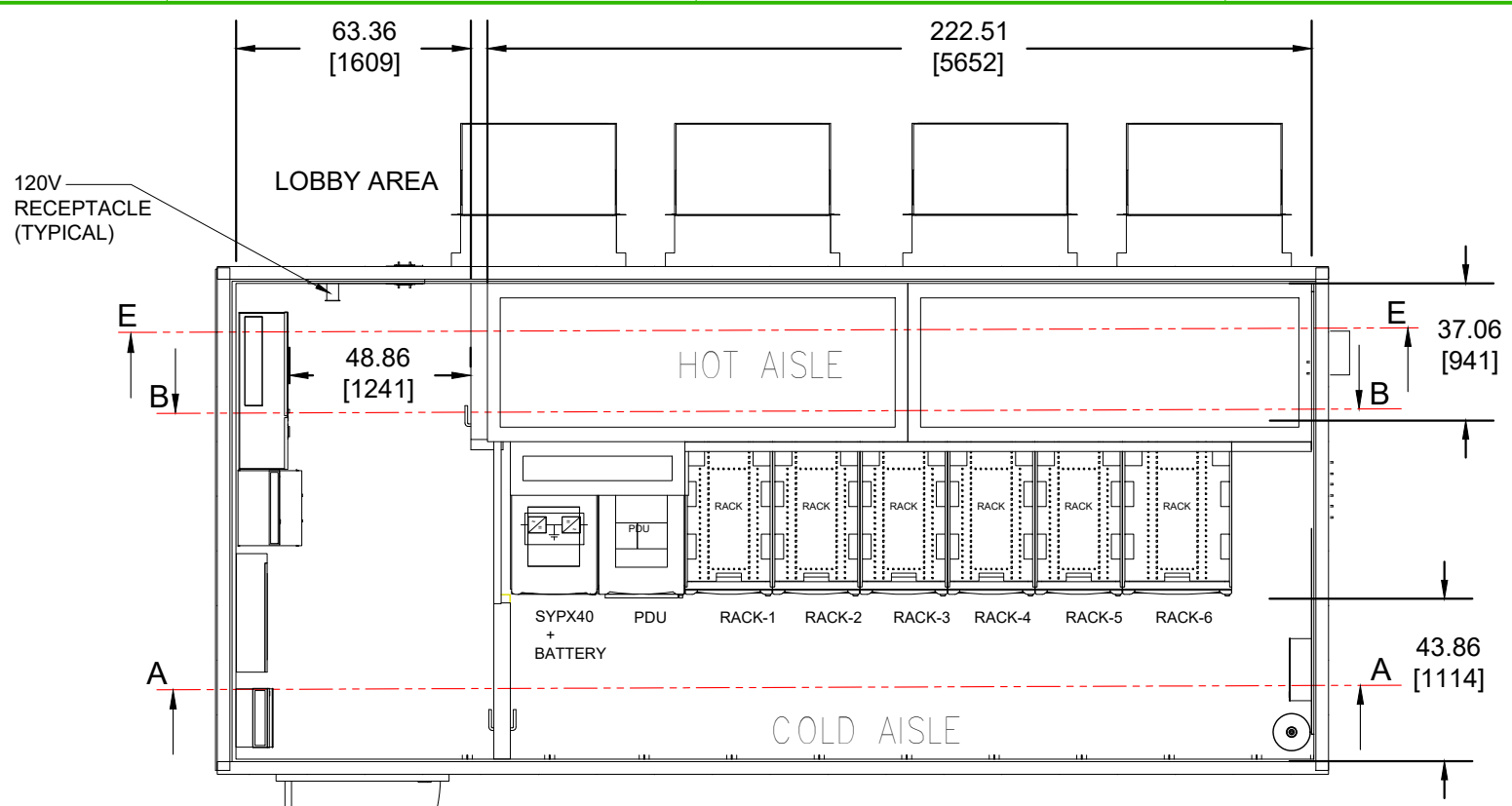


GENERAL NOTES:

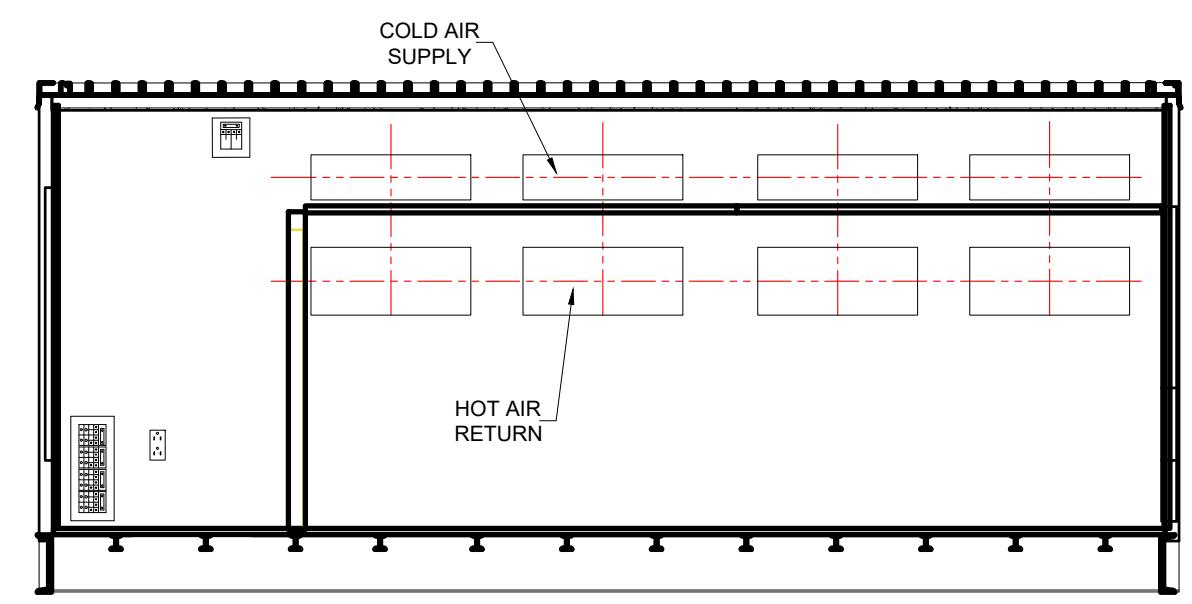
1. INSTALLATION SHALL COMPLY WITH ALL APPLICABLE NATIONAL, STATE AND LOCAL CODES.
2. PLEASE REFER TO PRODUCT DOCUMENTATION FOR FURTHER INFORMATION.
3. UNLESS OTHERWISE SPECIFIED, ALL DIMENSIONS ARE IN INCHES[MILLIMETERS].
4. REFER TO ELECTRICAL DRAWINGS FOR OBTAINING CONDUIT SIZES AND THE EXACT LOCATIONS OF CABLE/CONDUIT PENETRATIONS FOR INPUT POWER, DATA CABLES AND COOLING SYSTEM.
5. REFER TO THE ELECTRICAL DRAWINGS FOR SPECIFIC DETAILS ON THE ELECTRICAL SYSTEM.

FILENAME/PATH:						
0	THIS DRAWING IS BASED ON DRAWING NUMBER PLACEHOLDER - INITIAL RELEASE					DD-MMM-YY
REV	DESCRIPTION	DRWN	DATE	ENGR	DATE	APPR
REVISIONS						
THIS DRAWING AND SPECIFICATIONS HEREIN ARE THE PROPERTY OF SCHNEIDER ELECTRIC AND SHALL NOT BE COPIED, REPRODUCED OR USED IN WHOLE OR IN PART, AS THE BASIS FOR THE MANUFACTURE OR SALE OF ITEMS WITHOUT WRITTEN PERMISSION FROM SCHNEIDER ELECTRIC. THIS DRAWING IS BASED UPON LATEST AVAILABLE INFORMATION AND IS SUBJECT TO CHANGE WITHOUT NOTICE.		Schneider Electric		TITLE: PREFAB CONFIGURATION-2 35KW, ROOM COOLING, 6-RACKS INPUT - 480V,3PH,4W OUTPUT - 208V,3PH,4W GENERAL ARRANGEMENT		DWG NO: PEMIEC040D1N5D DRAWN: K.NAGENDRA ENGINEER: X XXX APPROVED: X XXX
PROJECT: NTOUCHE/DESIGN PORTAL ISV#		SHEET 2 OF 3		DATE: 07-AUG-19		REV: A/0

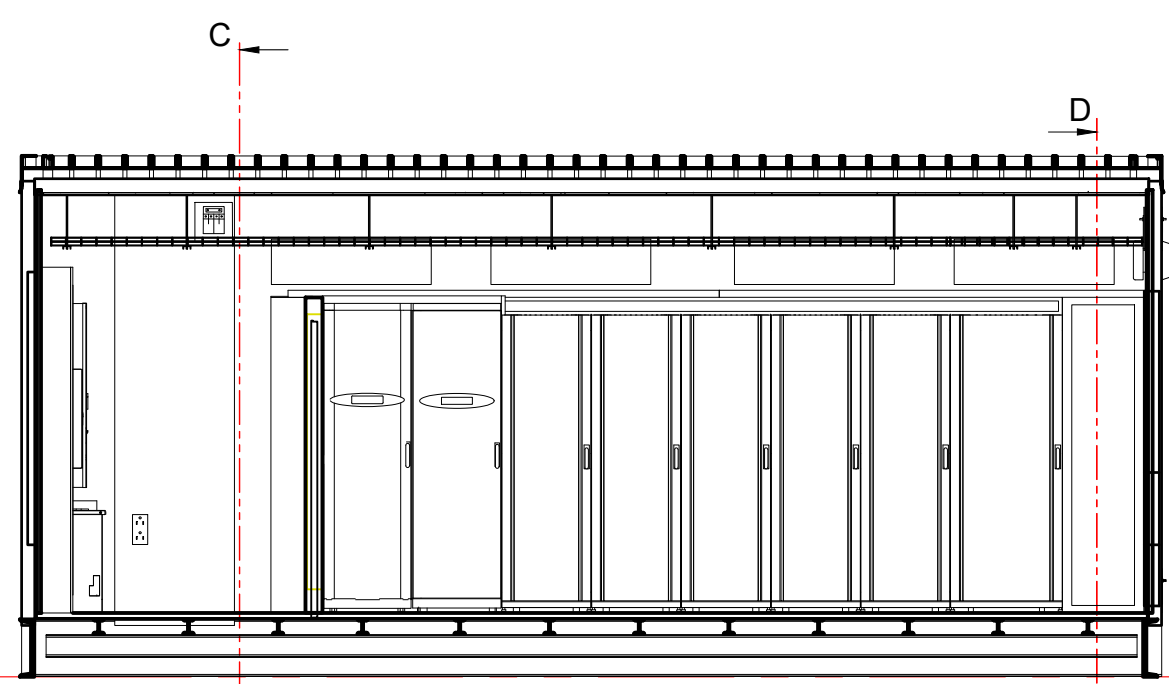
NOT FOR CONSTRUCTION



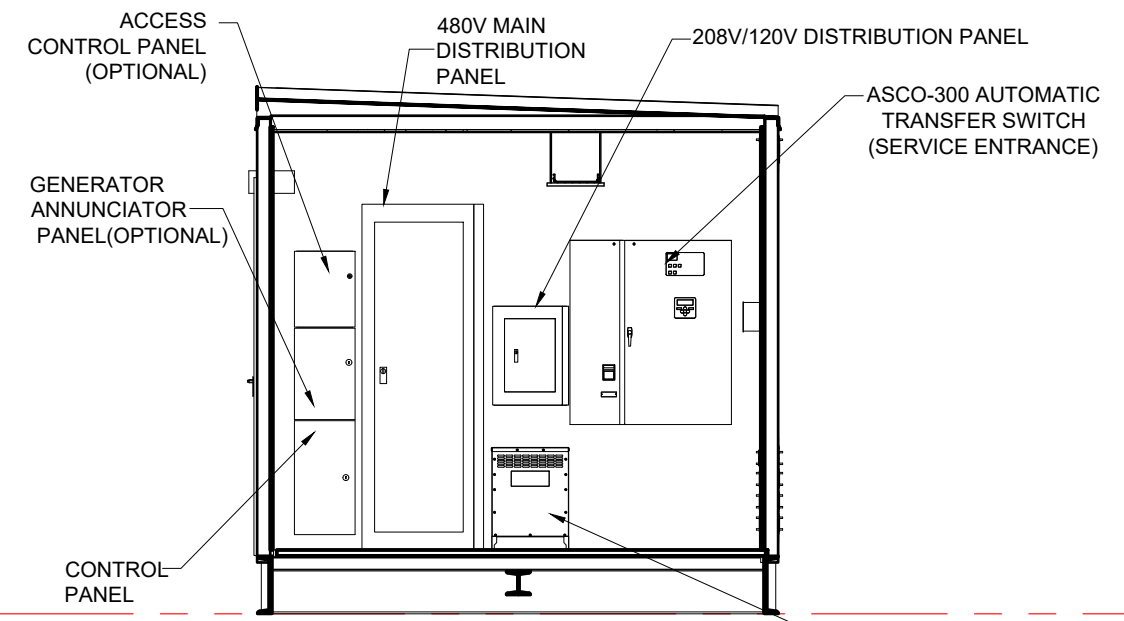
TOP VIEW (ROOF REMOVED)



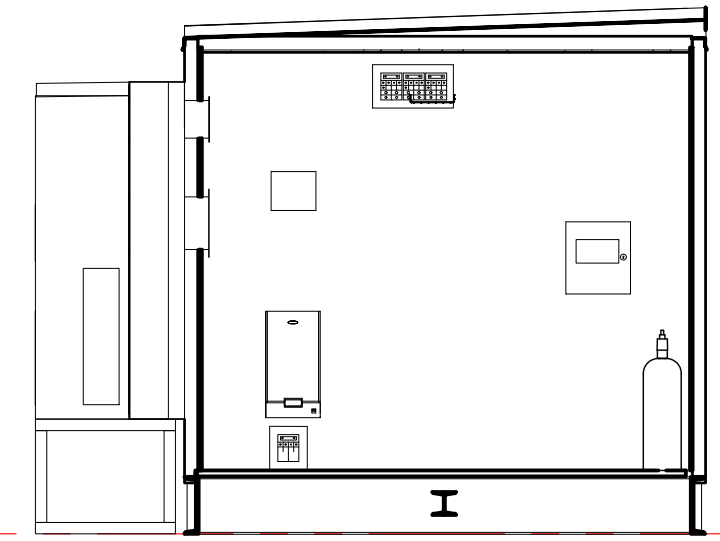
SECTION-EE (AIR SUCTION AND DISCHARGE)



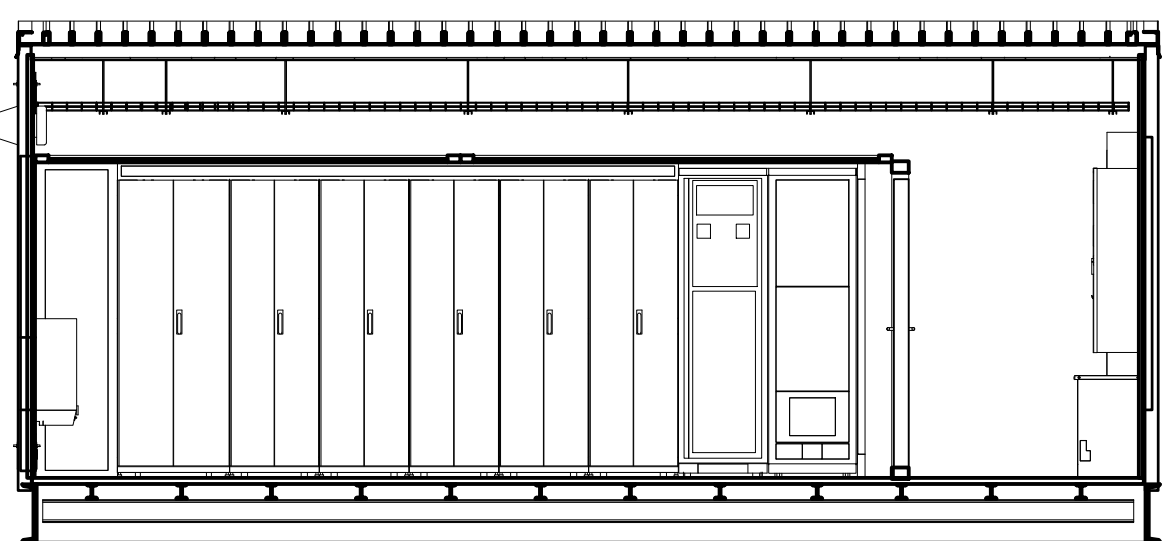
SECTION-AA (FRONT VIEW)



SECTION-CC (LOBBY AREA)



SECTION-DD (RIGHT WALL)



SECTION-BB (REAR VIEW)

GENERAL NOTES:

1. INSTALLATION SHALL COMPLY WITH ALL APPLICABLE NATIONAL, STATE AND LOCAL CODES.
2. PLEASE REFER TO PRODUCT DOCUMENTATION FOR FURTHER INFORMATION.
3. UNLESS OTHERWISE SPECIFIED, ALL DIMENSIONS ARE IN INCHES[MILLIMETERS].
4. REFER TO ELECTRICAL DRAWINGS FOR OBTAINING CONDUIT SIZES AND THE EXACT LOCATIONS OF CABLE/CONDUIT PENETRATIONS FOR INPUT POWER, DATA CABLES AND COOLING SYSTEM.
5. REFER TO THE ELECTRICAL DRAWINGS FOR SPECIFIC DETAILS ON THE ELECTRICAL SYSTEM.

FILENAME/PATH:						
0	THIS DRAWING IS BASED ON DRAWING NUMBER PLACEHOLDER - INITIAL RELEASE				DD-MMM-YY	
REV	DESCRIPTION	DRWN	DATE	ENGR	DATE	APPR
REVISIONS						
THIS DRAWING AND SPECIFICATIONS HEREIN ARE THE PROPERTY OF SCHNEIDER ELECTRIC AND SHALL NOT BE COPIED, REPRODUCED OR USED IN WHOLE OR IN PART, AS THE BASIS FOR THE MANUFACTURE OR SALE OF ITEMS WITHOUT WRITTEN PERMISSION FROM SCHNEIDER ELECTRIC. THIS DRAWING IS BASED UPON LATEST AVAILABLE INFORMATION AND IS SUBJECT TO CHANGE WITHOUT NOTICE.		Schneider Electric		TITLE: PREFAB CONFIGURATION-2 35KW, ROOM COOLING, 6-RACKS INPUT - 480V,3PH,4W OUTPUT - 208V,3PH,4W SECTIONAL VIEWS		DWG NO: PEMIEC040D1N5D DRAWN: K.NAGENDRA ENGINEER: X XXX APPROVED: X XXX
PROJECT: INTouch# / DESIGN PORTAL IS#		SHEET 3 OF 3		DATE: 07-AUG-19		REV: A/0 THIRD ANGLE PROJECTION