

I-Line™ Plug-In Units



Unidades enchufables I-Line™

Unités enfichables I-Line^{MC}

PTQ (800 –1200 A Fusible Switch) /

PTQ (interruptor fusible de 800 a 1 200 A) /

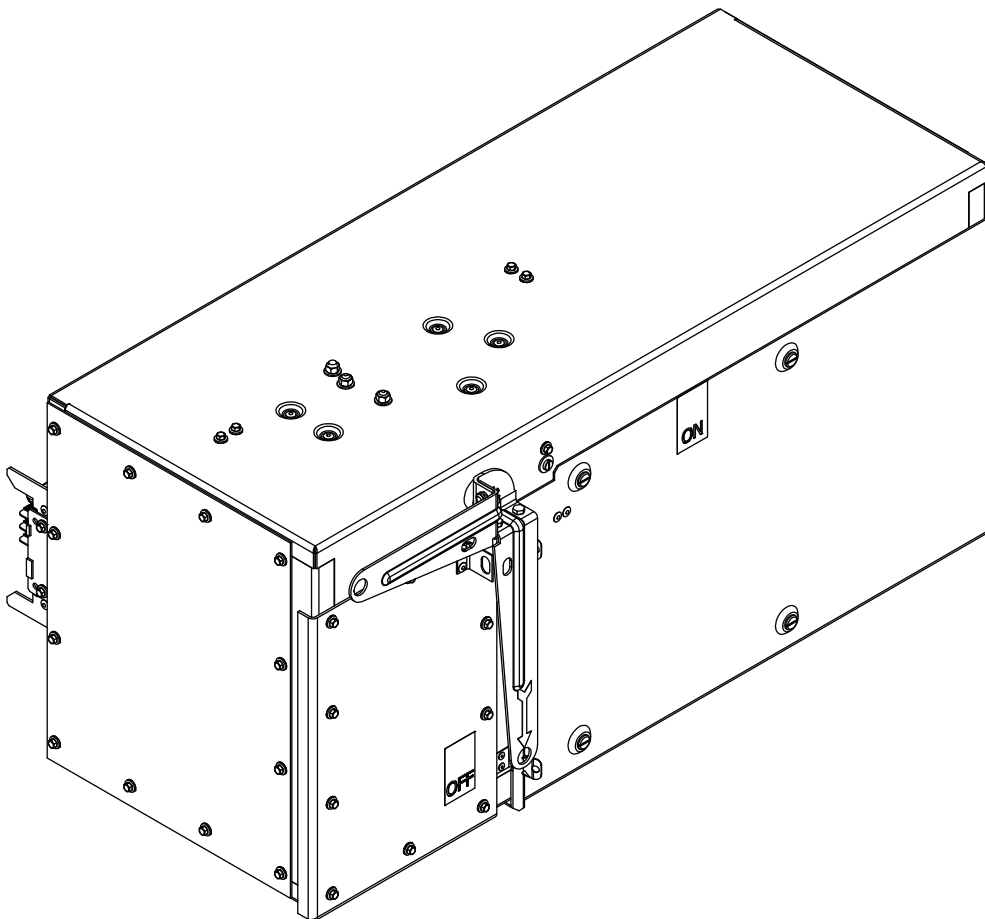
PTQ (interrupteur à fusible de 800 à 1 200 A)

Instruction Bulletin / Boletín de instrucciones /
Directives d'utilisation

45225-499-01B

05/2018

Retain for future use. / Conservar para uso futuro. / À conserver pour usage ultérieur.



SQUARE D™

by Schneider Electric

I-Line™ Plug-In Units

PTQ (800 –1200 A Fusible Switch)

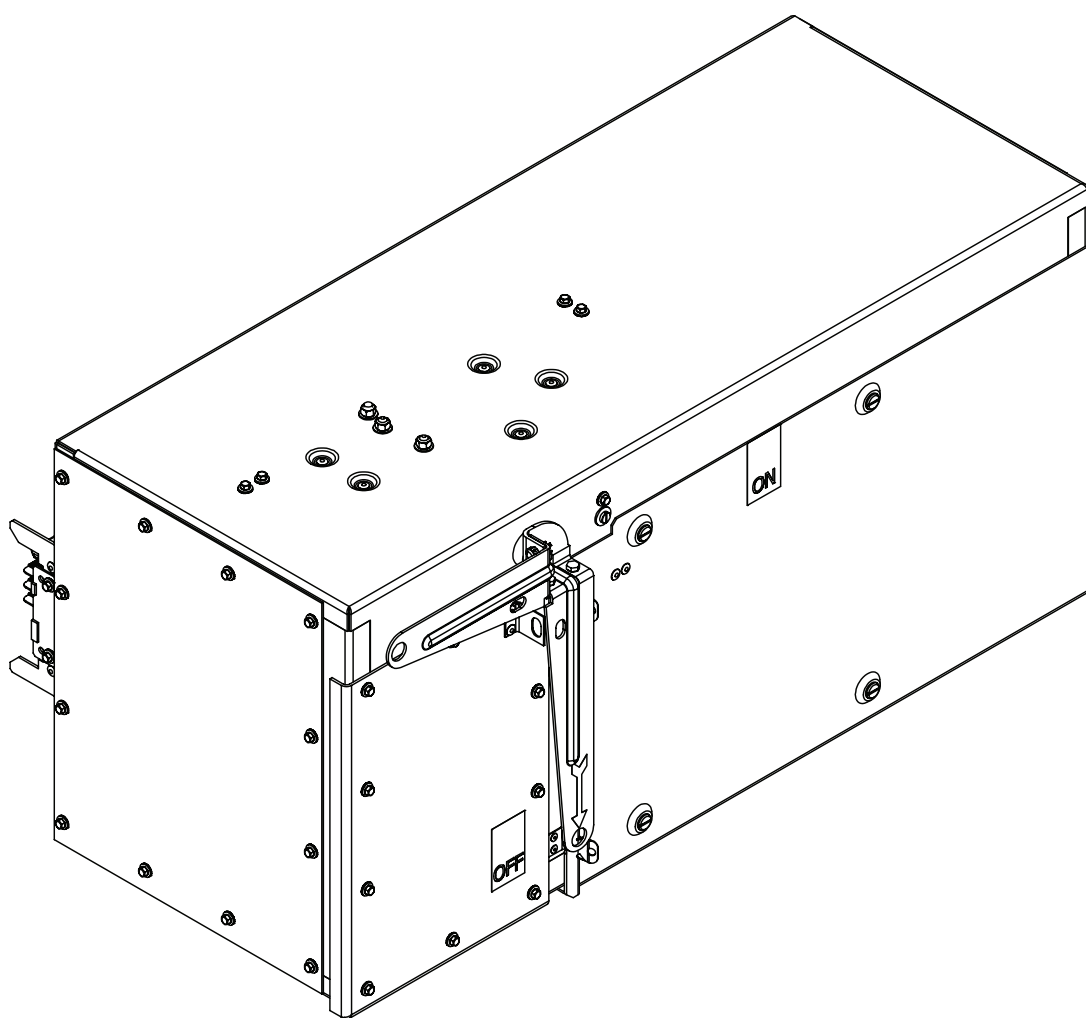
Class 5630

Instruction Bulletin

45225-499-01B
05/2018

Retain for future use.

ENGLISH



SQUARE D™

by Schneider Electric

Hazard Categories and Special Symbols

Read these instructions carefully and look at the equipment to become familiar with the device before trying to install, operate, service, or maintain it. The following special messages may appear throughout this bulletin or on the equipment to warn of hazards or to call attention to information that clarifies or simplifies a procedure.



The addition of either symbol to a “Danger” or “Warning” safety label indicates that an electrical hazard exists which will result in personal injury if the instructions are not followed.



This is the safety alert symbol. It is used to alert you to personal injury hazards. Obey all safety messages that follow this symbol to avoid possible injury or death.

⚠ DANGER

DANGER indicates a hazardous situation which, if not avoided, **will result in** death or serious injury.

⚠ WARNING

WARNING indicates a hazardous situation which, if not avoided, **could result in** death or serious injury.

⚠ CAUTION

CAUTION indicates a hazardous situation which, if not avoided, **could result in** minor or moderate injury.

NOTICE

NOTICE is used to address practices not related to physical injury. The safety alert symbol is not used with this signal word.

NOTE: Provides additional information to clarify or simplify a procedure.

Please Note

Electrical equipment should be installed, operated, serviced, and maintained only by qualified personnel. No responsibility is assumed by Schneider Electric for any consequences arising out of the use of this material.

A qualified person is one who has skills and knowledge related to the construction, installation, and operation of electrical equipment and has received safety training to recognize and avoid the hazards involved.

FCC Notice

This equipment has been tested and found to comply with the limits for a Class A digital device, pursuant to part 15 of the FCC Rules. These limits are designed to provide reasonable protection against harmful interference when the equipment is operated in a commercial environment. This equipment generates, uses, and can radiate radio frequency energy and, if not installed and used in accordance with the instruction manual, may cause harmful interference to radio communications. Operation of this equipment in a residential area is likely to cause harmful interference in which case the user will be required to correct the interference at his own expense. This Class A digital apparatus complies with Canadian ICES-003.

Table of Contents

ENGLISH

- Section 1—Introduction 5
- Section 2—Safety Precautions..... 5
 - Standard Application Precautions 5
- Section 3—Receiving, Handling, and Storage 6
 - Receiving 6
 - Handling 6
 - Storage 7
- Section 4—Plug-In Unit Interrupting Rating..... 8
 - Rating Information 8
- Section 5—Installing the Plug-In Unit Onto the Busway..... 8
 - Standard Application Precautions 8
 - Pre-Installation Testing 9
 - Horizontal Mounting Instructions 10
 - Preparing the Busway Before Installing the Hanger and Plug-In Unit 10
 - Installing the Horizontal Hanger Onto the Busway 11
 - Installing the Plug-In Unit Onto the Busway and Horizontal Hanger 12
 - Continuity Testing Before Energizing the Busway 17
 - Vertical Mounting Instructions 18
 - Preparing the Busway Before Installing the Hanger and Plug-In Unit 18
 - Installing the Vertical Hanger Onto the Busway 19
 - Installing the Plug-In Unit Onto the Busway and Vertical Hanger 22
 - Continuity Testing Before Energizing the Busway 25
 - Wiring Diagram 26
 - Lug and Wire Size Information 27
- Section 6—Operating..... 28
 - Turning the Plug-In Unit Switch to the ON (I) and OFF (O) Positions 28
 - Padlocking the Plug-In Unit Handle/Door 29
 - Standard Application Precautions 29
 - Padlocking the Plug-in Unit Handle 29
 - Padlocking the Plug-In Unit Door 30
- Section 7—Removing the Plug-In Unit From the Busway..... 30
 - Standard Application Precautions 30
- Section 8—General Maintenance..... 31
- Section 9—Accessories and Replacement Parts 31
 - Directives pour l'installation horizontale 10

List of Figures

Figure 1 – Hoisting Equipment With a Crane	7
Figure 2 – Pre-Installation Testing, Horizontally Mounted Plug-In Units	9
Figure 3 – Pre-Installation Testing, Vertically Mounted Plug-In Units	9
Figure 4 – Preparing the Busway before Installing the Hanger and Plug-In Unit ..	10
Figure 5 – Installing the Horizontal Hanger onto the Busway	11
Figure 6 – Preparing the Plug-In Unit for Horizontal Installation	12
Figure 7 – Right and Left Scalloped Barriers in Factory Position	13
Figure 8 – A. Plug-In Opening To Left of Busway Joint B. Right-Side Scalloped Barrier Installed Using Round Holes	13
Figure 9 – A. I-Line Busway Corrugated Housing B. Both Scalloped Barriers Installed Using Oblong Holes (Right Barrier Shown)	14
Figure 10 – Alignment Bracket Location	14
Figure 11 – Plug-In Unit Vertical Adjustment	15
Figure 12 – Plug-In Unit Horizontal Adjustment	15
Figure 13 – Attaching Plug-In Unit to the Busway	16
Figure 14 – Clamping the Electrical Connection	16
Figure 15 – Turning Door Screws and Door Interlock Screw	17
Figure 16 – Preparing the Busway before Installing the Hanger and Plug-In Unit ..	18
Figure 17 – Placement of Vertical Hanger Locating Label	19
Figure 18 – Vertical Hanger Bottom Bracket Assembly	20
Figure 19 – Vertical Hanger Top and Middle Bracket Assembly	21
Figure 20 – Preparing the Plug-In Unit for Vertical Installation	22
Figure 21 – Mounting the Vertical Plug-In Unit	23
Figure 22 – Plug-In Unit Horizontal Adjustment	24
Figure 23 – Plug-In Unit Vertical Adjustment	24
Figure 24 – Plug-In Unit Insertion	25
Figure 25 – Clamping the Electrical Connection	25
Figure 26 – Standard Application Wiring Diagram	26
Figure 27 – Turning the Plug-In Unit Switch to the ON (I) and OFF (O) Positions ..	28
Figure 28 – Padlocking the Plug-In Unit Handle in the OFF (O) Position	29
Figure 29 – Padlocking the Plug-In Unit Door	30

List of Tables

Table 1 – PTQ Fusible Switch Plug-In Unit Rating Information.....	8
Table 2 – Lug and Wire Size Information	27
Table 3 – Accessories and Replacement Parts.....	31

Section 1—Introduction

This bulletin contains instructions for handling, storing, installing, operating, and maintaining Square D™ brand I-Line™ PTQ Plug-In Units (800–1200 A fusible switch) manufactured by Schneider Electric. The purchaser's engineering, installation, and operating staff supervisors should familiarize themselves with this bulletin and become acquainted with the appearance and characteristics of the equipment. Read and understand this bulletin completely before performing the installation, operation, and maintenance steps provided herein.

Section 2—Safety Precautions

Standard Application Precautions

⚠ DANGER

HAZARD OF ELECTRIC SHOCK, EXPLOSION, OR ARC FLASH

- Apply appropriate personal protective equipment (PPE) and follow safe electrical work practices. See NFPA 70E, NOM-029-STPS, or CSA Z462.
- This plug-in unit must be installed and serviced only by qualified electrical personnel.
- Follow the safety label instructions on the equipment and inside this bulletin.
- Turn off power to busway before installing or removing plug-in unit.
- Always use a properly rated voltage sensing device at all line and load side connections to confirm that the power is off.
- Do not install plug-in unit onto I-Line II 800 A copper busway.
- Do not install, operate, or remove plug-in unit with cover open or removed.
- Install only 3-pole device on 3-pole busway. Install only 4-pole device on 4-pole busway. Only install a device onto busway with a "G" in suffix catalog number.
- Use a continuity tester or 1000 Vdc maximum megohmmeter to ensure phase-to-phase, phase-to-neutral, and ground isolation.
- Turn off power to busway before working on line side of plug-in unit.
- Turn off plug-in unit before opening or working inside enclosure.
- Before closing the door or replacing the cover-mechanism, carefully inspect the switch area to ensure no tools or objects have been left on or inside the equipment.

Failure to follow these instructions will result in death or serious injury.

Section 3—Receiving, Handling, and Storage

Receiving

Upon receipt, check the packing list against the equipment received to ensure the order and shipments are complete. Claims for shortages or errors must be made in writing to Schneider Electric within 60 days of delivery. Failure to give such notice will constitute unqualified acceptance and a waiver of all such claims by the purchaser.

Immediately inspect the equipment for any damage that may have occurred during transit. If damage is found or suspected, file a claim with the carrier immediately and notify Schneider Electric. Delivery of equipment to a carrier at any of the Schneider Electric plants or other shipping points constitutes delivery to the purchaser regardless of freight payment and title. All risk of loss or damage passes to the purchaser at that time.

For details concerning claims for equipment shortages and other errors, refer to Schneider Electric’s “Terms and Conditions of Sale.”

Handling

▲ CAUTION

SPECIAL HANDLING REQUIREMENTS

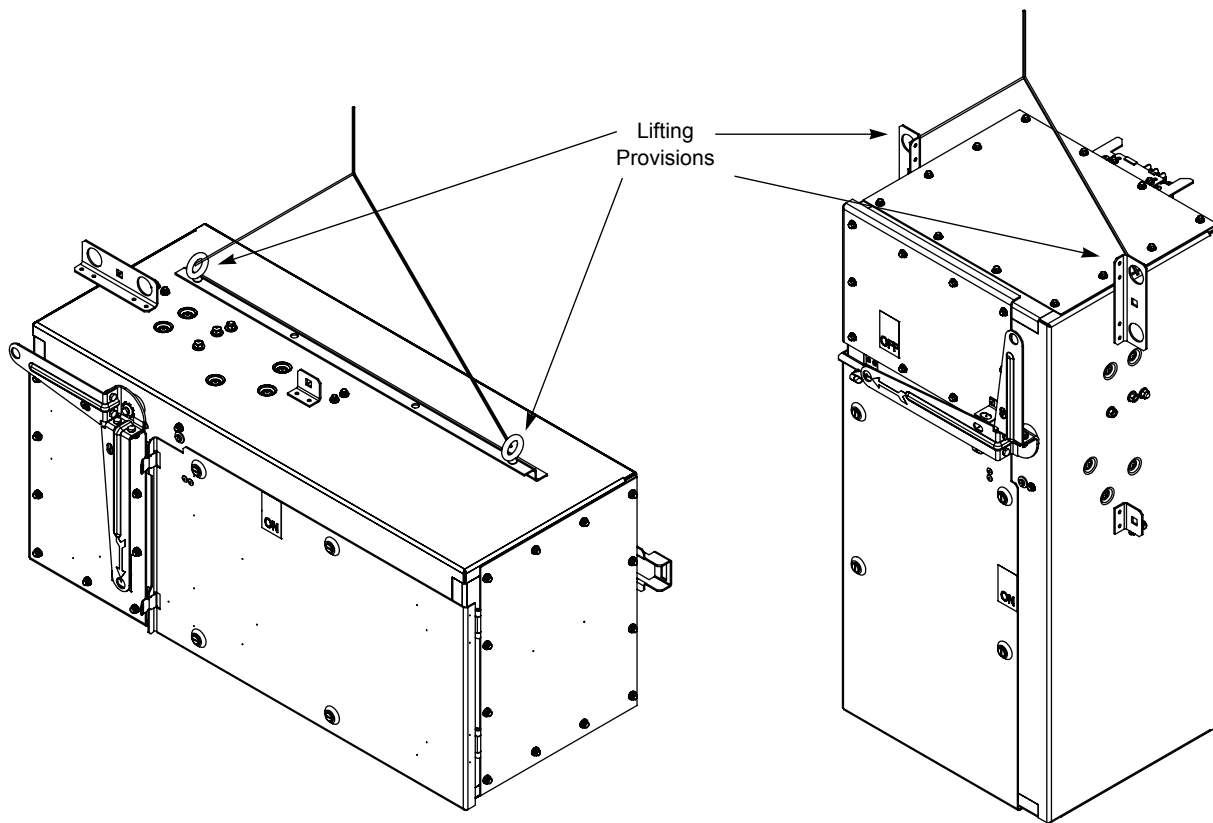
Always use lifting brackets to unpack, move, lift, and install the plug-in unit onto its hanger shelf.

Failure to follow these instructions can result in personal injury or equipment damage.

Handle plug-in units with care to avoid damaging internal components and the enclosure or its finish. Avoid subjecting plug-in units to twisting, denting, dropping, or any other rough handling. Use nail-pullers when unpacking wooden crates. Ensure the equipment at the installation site is adequate to handle the plug-in unit. Verify the lifting capacity of the crane or other available handling equipment. Refer to the appropriate busway45225-499-01B systems manual for weight specifications.

If hoisting the plug-in unit with a crane, use eyebolts (not provided) in the channel on top of horizontal plug-in units, or the lifting brackets of vertical plug-in units (see Figure 1 on page 7). If using a forklift, position the plug-in unit on the forks to distribute the weight properly. Take care not to damage the metal housing. Avoid using objects with sharp edges to lift the plug-in unit. Never drag the plug-in unit.

Figure 1 – Hoisting Equipment With a Crane



Storage

NOTICE

POTENTIAL EQUIPMENT CONTAMINATION

- Store the equipment in a clean, dry location.
- Protect the equipment from contaminants such as water, salt, concrete, and other corrosive elements.

Failure to follow these instructions can result in equipment damage.

If the plug-in unit is not going to be installed and energized immediately, store it indoors in a clean, dry place with a uniform temperature. Protect the unit from contaminants such as water, salt, concrete, and other corrosive elements.

Section 4—Plug-In Unit Interrupting Rating

Rating Information

Table 1 – PTQ Fusible Switch Plug-In Unit Rating Information

Plug-In Unit Catalog Prefix	Plug-In Unit Ampere Rating ¹	Interrupting Rating ²		Max. Rating	
		Amps (kA) RMS Symmetrical	Volts (AC)	Amps	Volts (AC)
PTQ	800–1200	100	240 480 600	1200	600

¹ See nameplate on outside of device for ampere rating of unit.

² Using class L fuses.

Section 5—Installing the Plug-In Unit Onto the Busway

Standard Application Precautions

⚠ DANGER

HAZARD OF ELECTRIC SHOCK, EXPLOSION, OR ARC FLASH

- Apply appropriate personal protective equipment (PPE) and follow safe electrical work practices. See NFPA 70E, NOM-029-STPS, or CSA Z462.
- This plug-in unit must be installed and serviced only by qualified electrical personnel.
- Turn off power to busway before installing plug-in unit onto the busway.
- Always use a properly rated voltage sensing device at all line and load side connections to confirm that the power is off.
- Turn off plug-in unit.
- Do not install plug-in unit onto I-Line II 800 amp copper busway.
- Do not install plug-in unit with cover open or removed.
- Install only 3-pole device on 3-pole busway. Install only 4-pole device on 4-pole busway. Only install a device onto busway with a “G” in suffix catalog number.
- Use a continuity tester or 1000 Vdc maximum megohmmeter to ensure phase-to-phase, phase-to-neutral, and ground isolation.

Failure to follow these instructions will result in death or serious injury.

Pre-Installation Testing

Refer to “Section 6—Operating” on page 28 for instructions detailing operating this device.

1. Before installing the plug-in unit onto the busway, ensure the door of the plug-in unit is closed.
2. Turn the plug-in unit handle to the **ON (I)** position (Figures 2 and 3).
3. Use a continuity tester or 1000 Vdc maximum megohmmeter to verify phase-to-phase, phase-to-neutral, and ground isolation.
4. Return the plug-in unit handles to the **OFF (O)** position (Figures 2 and 3).

Figure 2 – Pre-Installation Testing, Horizontally Mounted Plug-In Units

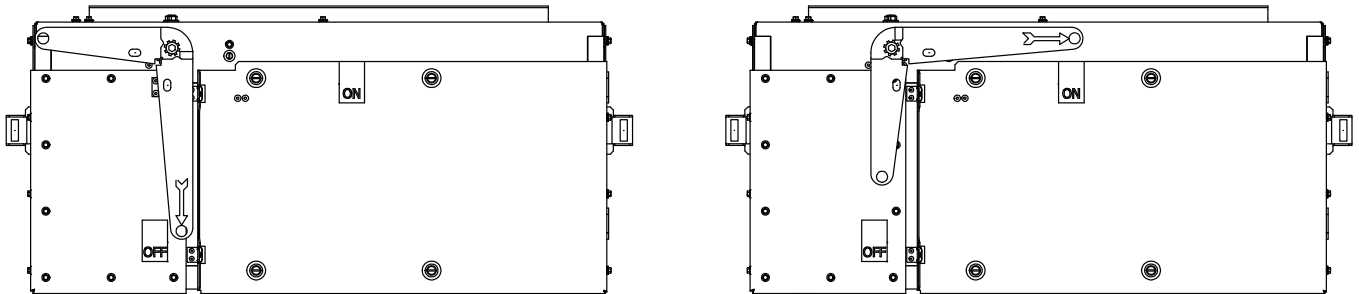
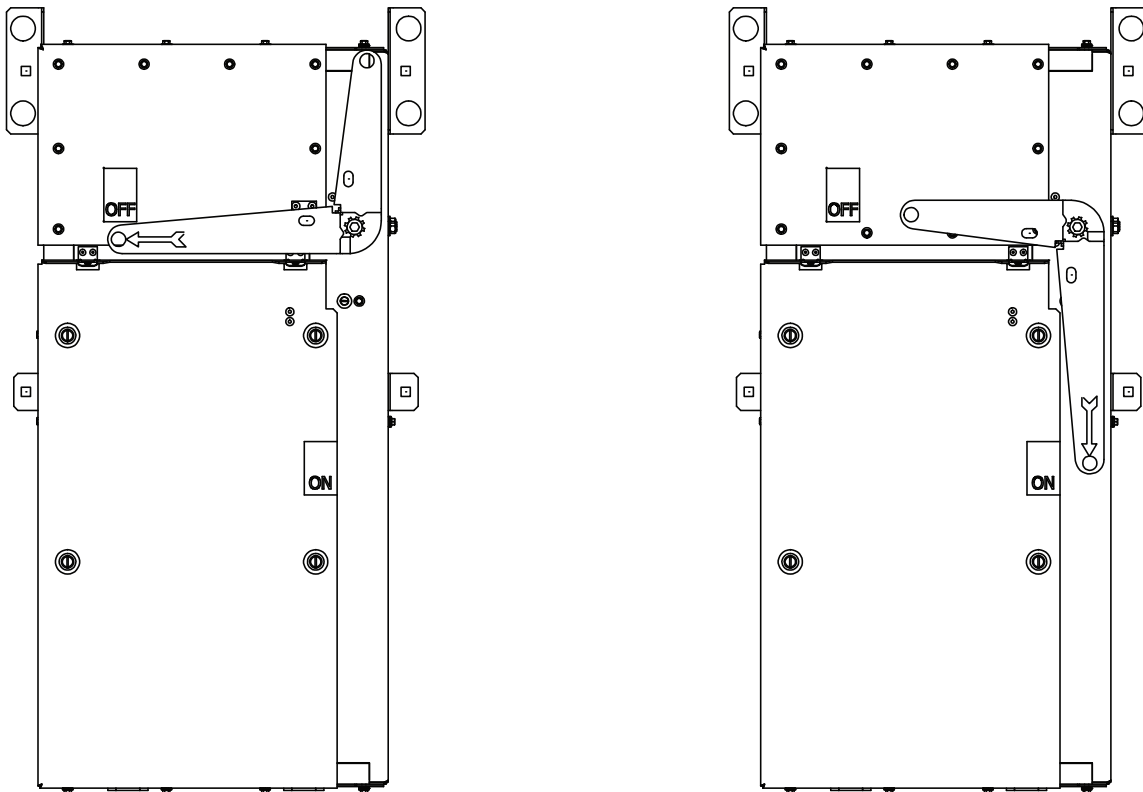


Figure 3 – Pre-Installation Testing, Vertically Mounted Plug-In Units



Horizontal Mounting Instructions

NOTE: Refer to the safety statements at the beginning of “Standard Application Precautions” on page 8 before installing the plug-in unit onto the busway.

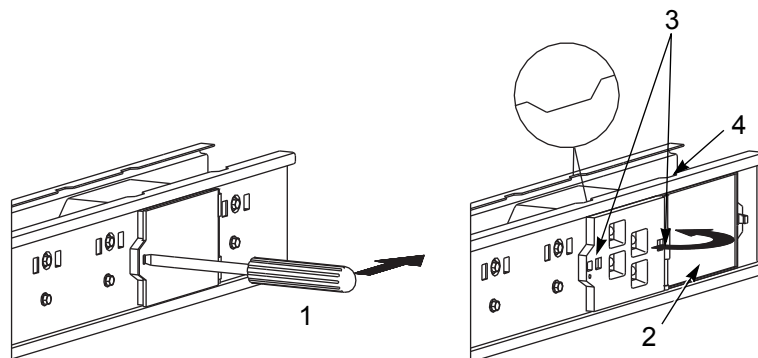
To ensure proper electrical connections to the busway, the plug-in jaws are coated with a special oxide-inhibiting joint compound. *Do not remove this compound.* If the joint compound becomes contaminated, order replacement compound (part number PJC7201) from your local Schneider Electric distributor.

Preparing the Busway Before Installing the Hanger and Plug-In Unit

Refer to Figure 4 and steps 1–9 to prepare the busway before installing the hanger and the plug-in unit.

1. Turn off the power to the busway.
2. Insert a flat blade screwdriver (1) into the slot in the door, and release the door's hook-latch fastener.
3. Swing the door (2) completely open.
4. Loosen and remove the two mounting screws (3) holding the base. Do not discard the screws. Remove the base/door assembly.
5. To retain the hardware, place the two mounting screws in their mounting holes in the base and close the door.
6. Inside the plug-in unit are sections of hook and loop fastener. Remove the paper backing of the portion not attached to the enclosure and apply the fastener to the flat surface of the door of the base/door assembly removed in step 4.
7. To retain the base/door assembly for future use, press the entire assembly against the portion of hook and loop fastener attached to the enclosure.
8. Close plug-in unit door.
9. Locate the mounting notch (4) on the top of the busway rail, above the right side of the busway plug-in opening. This mounting notch allows the hanger to be positioned correctly onto the busway.

Figure 4 – Preparing the Busway before Installing the Hanger and Plug-In Unit



Installing the Horizontal Hanger Onto the Busway

Refer to Figure 5 and steps 1–7 to install the horizontal hanger onto the busway.

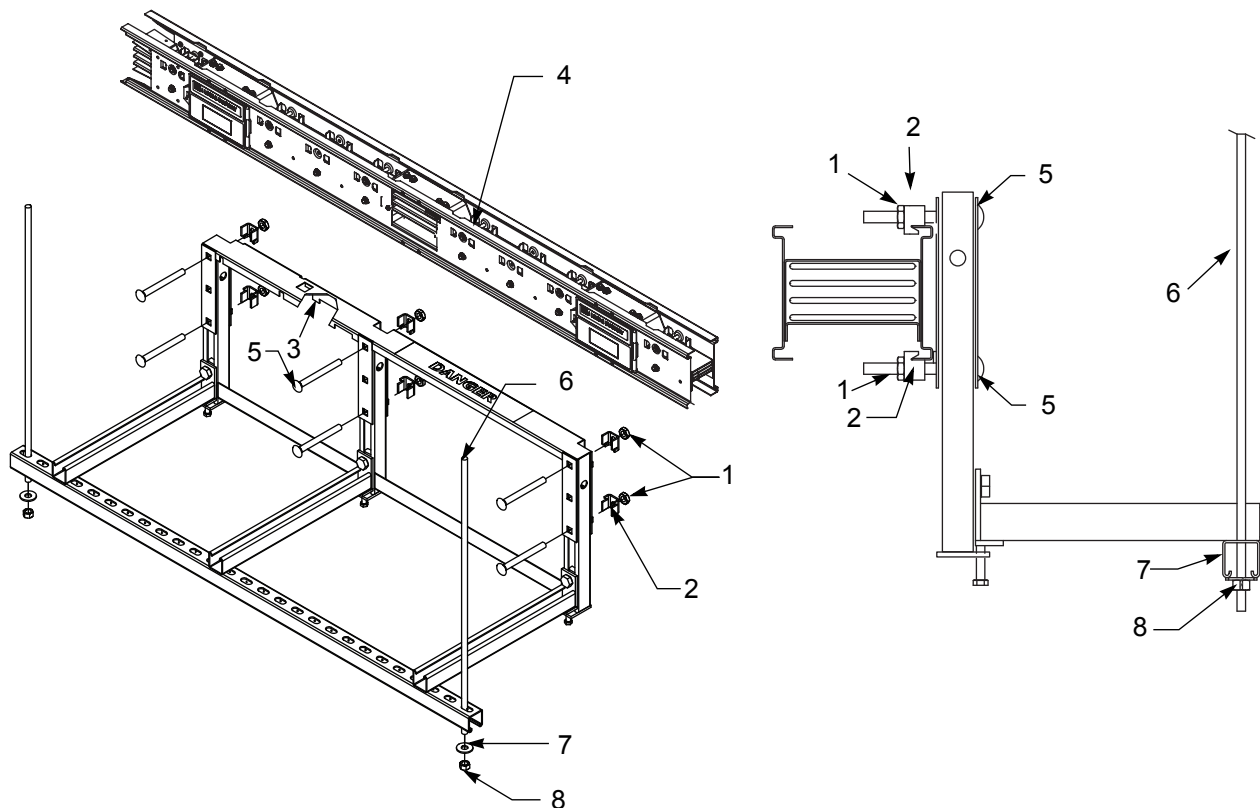
1. Unfasten the nuts (1).
2. Remove the U-clamps (2).
3. Position the tab of the hanger (3) into the mounting notch of the busway (4) that has been located in step 9 on page 10.
4. Place the U-clamps (2) onto the bolts (5). Ensure that the notch in each U-clamp goes into the flange of the busway.
5. Thread the nuts (1) onto the bolts (5). Tighten the nuts to 125–150 lb-in (14–17 N•m).
6. Position the two threaded rods (6) into the outside slots of the hanger. Fasten both threaded rods to the building structure.

NOTE: The threaded rods are not included.

7. Place the washers (7) and thread the nuts (8) onto the threaded rod. Ensure the hanger shelf is level and perpendicular to the face of the busway.

NOTE: The washers and nuts are not provided.

Figure 5 – Installing the Horizontal Hanger onto the Busway



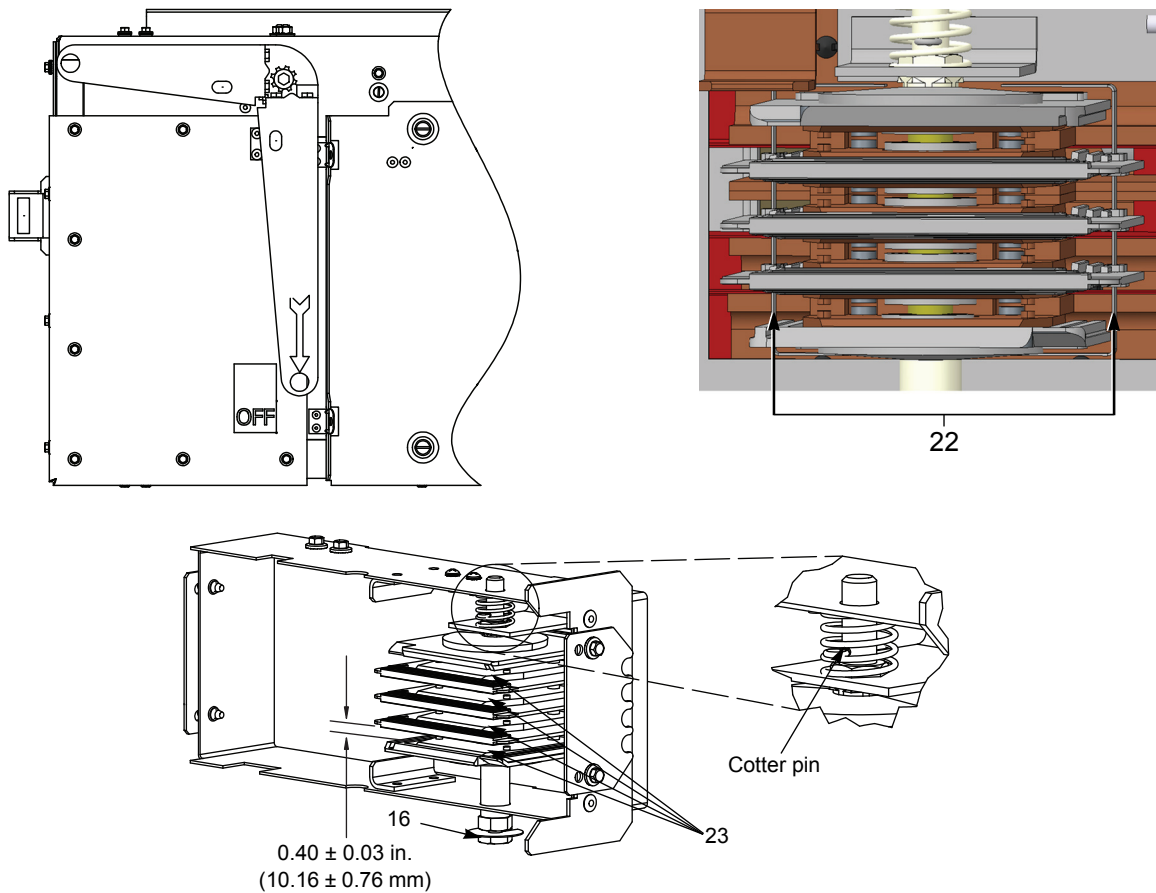
Installing the Plug-In Unit Onto the Busway and Horizontal Hanger

Refer to Figure 6 and steps 1–2 to prepare the plug-in unit for installation onto the busway and the horizontal hanger.

1. Turn off the power to the plug-in unit by pointing the arrow on the handle to OFF (O).
2. Make sure the retaining springs (22) are present and placed as shown in Figure 6.
3. Visually verify that lubrication is present in the connector plates (23) and adjust the connector bolt (16) until the gap between the bottom copper plates is 0.40 ± 0.03 in. (10.16 ± 0.76 mm).

NOTE: The bottom gap must be maintained to assure proper installation and avoid damage to the insulator during installation.

Figure 6 – Preparing the Plug-In Unit for Horizontal Installation

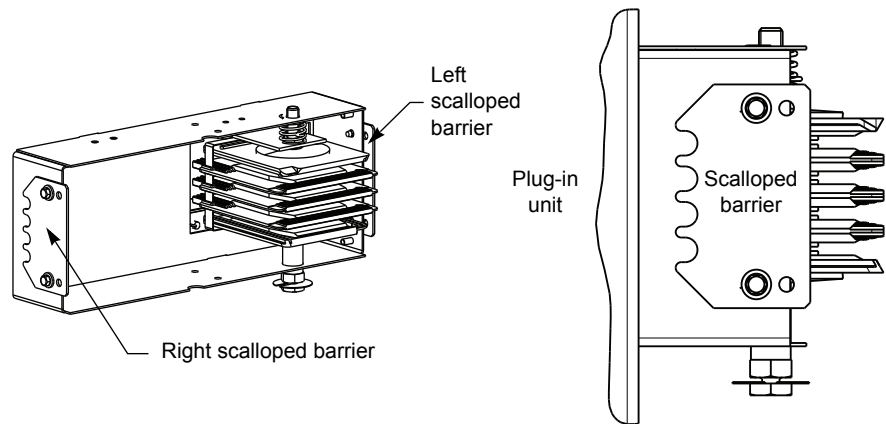


4. Depending on the busway type—I-Line (corrugated housing, Figure 9A) or I-Line II—and busway plug-in opening used, the position of the scalloped barriers may need to be adjusted.

When installed in I-Line II Busway:

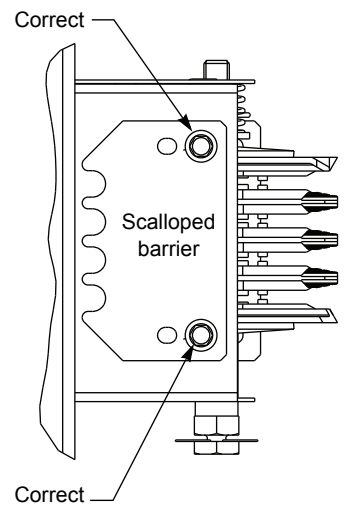
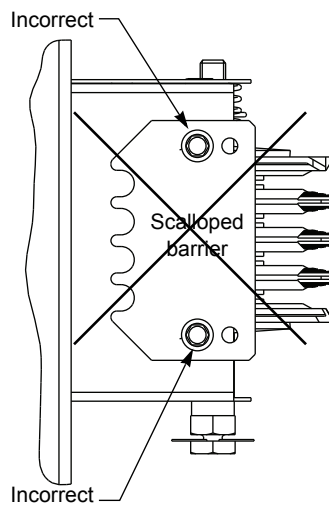
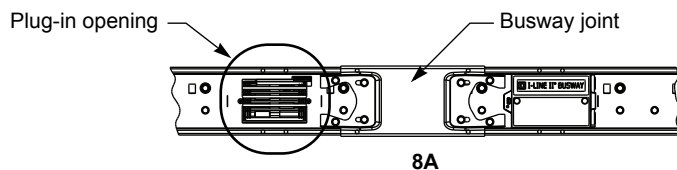
- If the plug-in unit will be installed at any busway plug-in opening other than to the left of a busway joint (Figure 8A), leave both right and left scalloped barriers as shipped from the factory (Figure 7).

Figure 7 – Right and Left Scalloped Barriers in Factory Position



- If the plug-in unit will be installed in a busway plug-in opening to the left of a busway joint (Figure 8A), relocate only the right side scalloped barrier (Figure 7) using the round holes (Figure 8B).

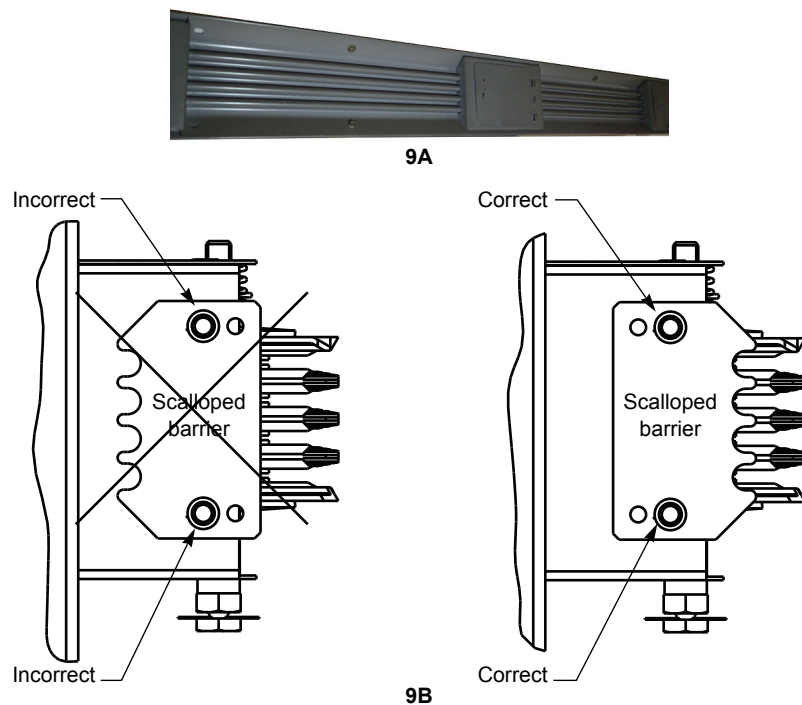
**Figure 8 – A. Plug-In Opening To Left of Busway Joint
B. Right-Side Scalloped Barrier Installed Using Round Holes**



When installed in I-Line Busway (corrugated housing, see Figure 9A):

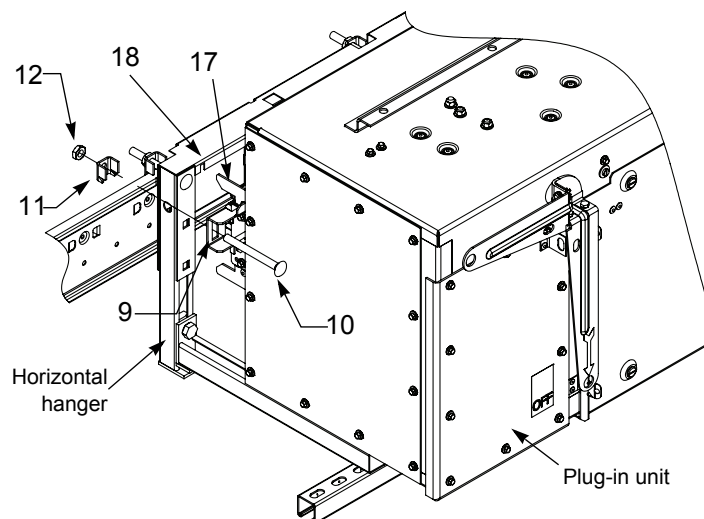
- Remove both right and left scalloped barriers. Rotate each barrier 180° from its factory position (Figure 7) and reinstall using the oblong holes (Figure 9B). The scalloped side of both the right and left barrier should now be pointing towards the busway (Figure 9B).

**Figure 9 – A. I-Line Busway Corrugated Housing
B. Both Scalloped Barriers Installed Using Oblong Holes (Right Barrier Shown)**

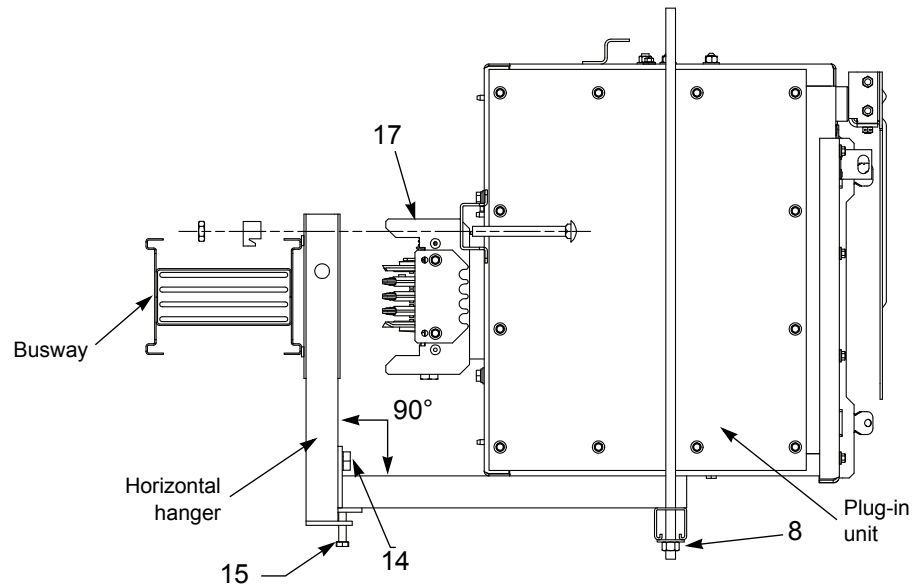


5. Remove the nuts (12) and the U-clamps (11) from the carriage bolts (10). Place the unit onto the hanger. Ensure the alignment bracket (17) aligns horizontally in the slot in the hanger (18) (Figure 10).

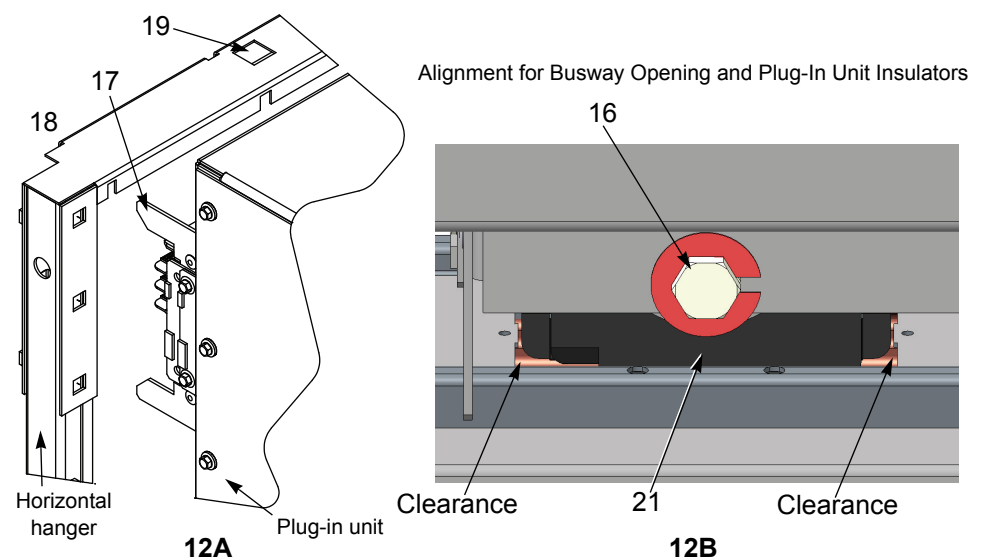
Figure 10 – Alignment Bracket Location



6. Vertically center the alignment bracket (17) on the busway (Figure 11).
7. To adjust the unit up or down, unscrew the bolts (14) one turn. Adjust the unit with the bolts (15) and nuts (8), and then retighten the bolts (14) (Figure 11).

Figure 11 – Plug-In Unit Vertical Adjustment

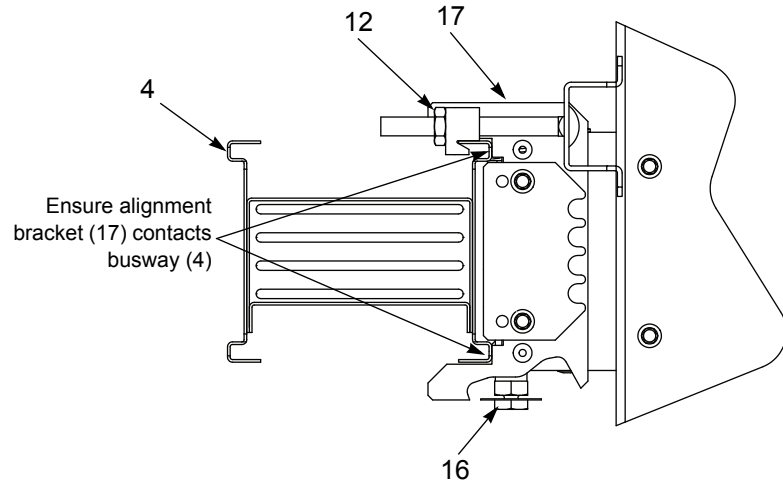
8. Visually verify through the viewing window (19) (Figure 12A) or from below the plug-in unit (20) (Figure 13 on page 16) the proper connection alignment of the plug-in unit insulator plates (21) and the busway opening with clearance on both sides (Figure 12B). Push the unit on, making sure the clearance is maintained until the unit stops. If resistance is encountered, refer to the hanger installation instructions in “Installing the Horizontal Hanger Onto the Busway” on page 11 and refer to steps 1-7 in “Installing the Plug-In Unit Onto the Busway and Horizontal Hanger” on page 12.

Figure 12 – Plug-In Unit Horizontal Adjustment

9. Place the U-clamps (11) onto the busway and on each side of the plug-in unit. Thread the bolts (10) through the slots in the plug-in unit bracket (9) and through the holes in the U-clamps (11) (Figure 10 on page 14).
10. Thread the nuts (12) onto the bolts (10), and hand-tighten them (Figure 10 on page 14). Ensure that the notch in each U-clamp goes into the flange of the busway.
11. Tighten each nut (12) alternately until the alignment bracket (17) touches the busway (4) (Figure 13).

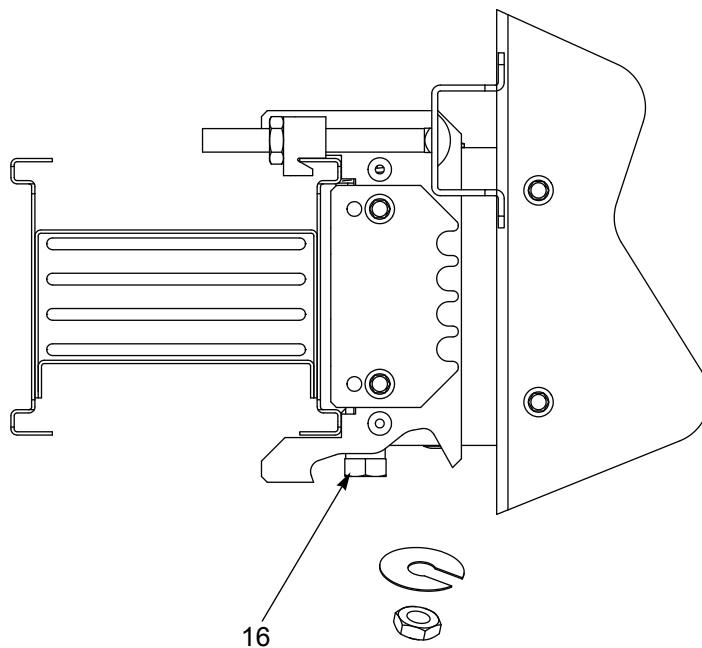
NOTE: Torque should not exceed 15 lb-ft (20 N•m).

Figure 13 – Attaching Plug-In Unit to the Busway



12. If the unit is being installed for the first time, tighten the connector bolt (16) until the outer head breaks off. If the unit is being relocated, tighten the connector bolt to 60–80 lb-ft (81–108 N•m) (Figure 14).

Figure 14 – Clamping the Electrical Connection

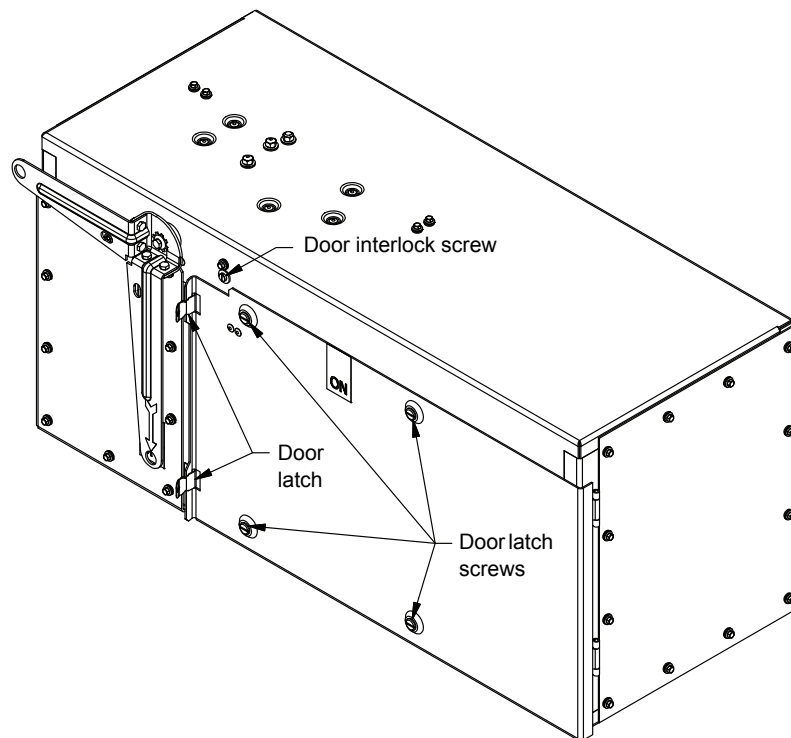


Continuity Testing Before Energizing the Busway

Refer to Figure 15 and steps 1–4 to perform a continuity test before energizing the busway.

1. Conduct a continuity test on the plug-in unit before energizing the busway and installing the load side connections.
 - a. Turn the handle to the **ON (I)** position.
 - b. Unscrew the four door screws. Then press the two door latches, allowing the door to open until the interlock catches.
 - c. Turn the door interlock screw counter-clockwise to allow the door to open fully.

Figure 15 – Turning Door Screws and Door Interlock Screw



- d. Open an unused plug-in opening door of the busway (see Figure 4 on 10).
 - e. Use a continuity tester or 1000 Vdc maximum megohmmeter to verify phase-to-phase, phase-to-neutral, and ground isolation.
2. Turn the plug-in unit handle to the OFF (O) position.
 3. Close the doors of the plug-in unit and busway when the test is complete, and fasten the four door screws.
 4. Wire the plug-in unit. Refer to “Wiring Diagram” on page 26.

Vertical Mounting Instructions

Install the plug-in unit so the lugs inside the box are facing down.

NOTE: Refer to the safety statements at the beginning of “Standard Application Precautions” on page 8 before installing the plug-in unit onto the busway.

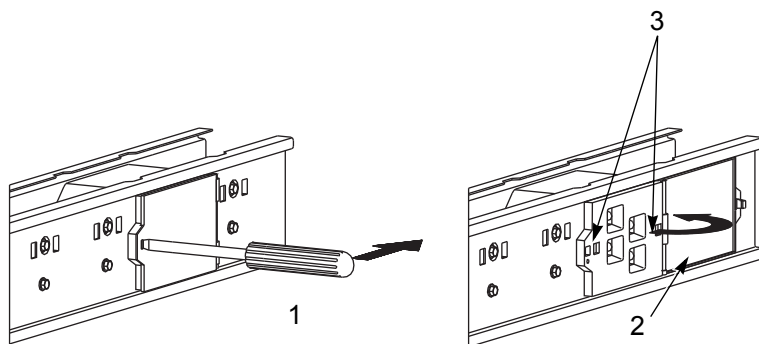
To ensure proper electrical connections to the busway, the plug-in jaws are coated with a special oxide-inhibiting joint compound. *Do not remove this compound.* If the joint compound becomes contaminated, order replacement compound (part number PJC7201) from your local Schneider Electric distributor.

Preparing the Busway Before Installing the Hanger and Plug-In Unit

Refer to Figure 16 and steps 1–8 to prepare the busway before installing the hanger and plug-in unit.

1. Turn off the power to the busway.
2. Insert a flat blade screwdriver (1) into the slot in the door and release the door's hook-latch fastener.
3. Swing the door (2) completely open.
4. Loosen and remove the two mounting screws (3) holding the base. Do not discard the hardware. Remove the base/door assembly.
5. To retain the hardware, place the two mounting screws in their mounting holes in the base and close the door.
6. Inside the plug-in unit are sections of hook and loop fastener. Remove the paper backing of the portion not attached to the enclosure, and apply the fastener to the flat surface of the door of the base/door assembly removed in step 4.
7. To retain the base/door assembly for future use, press the entire assembly against the portion of hook and loop fastener attached to the enclosure.
8. Close the plug-in unit door.

Figure 16 – Preparing the Busway before Installing the Hanger and Plug-In Unit



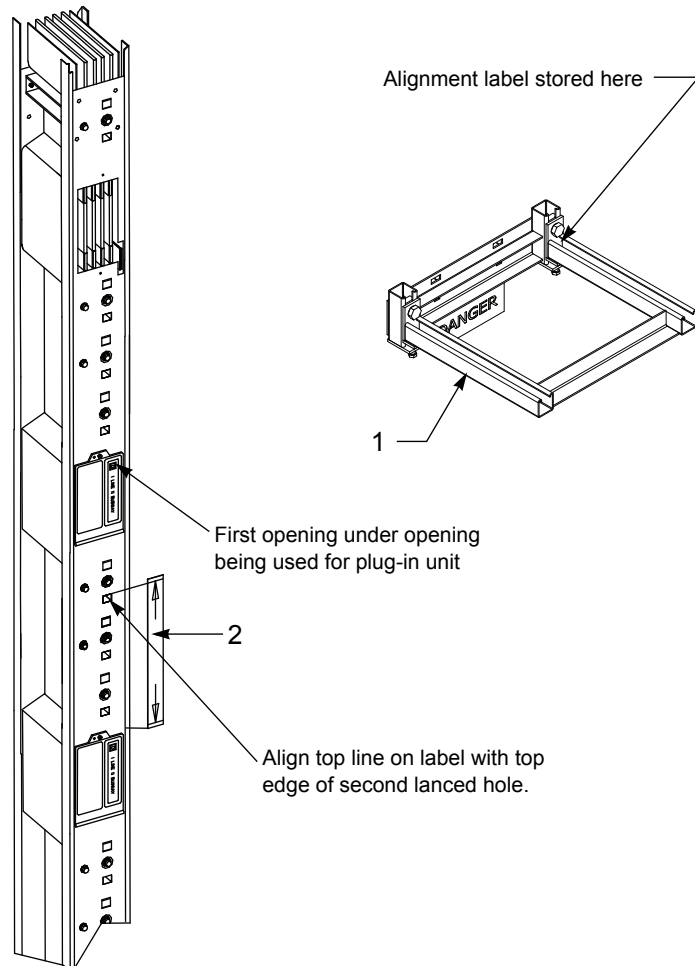
Installing the Vertical Hanger Onto the Busway

NOTE: If the vertical hanger is being relocated, order a replacement label (part number 45123-897-08) for circuit breaker units from your local Schneider Electric distributor.

Refer to Figure 17 and steps 1–2 to install the locating label for placing the vertical hanger onto the busway.

1. Remove the bottom bracket (1) from the crate. Locate the alignment label (2) inside the leg of the bracket.
2. Peel the paper backing from the label (2), and attach the label to the busway.

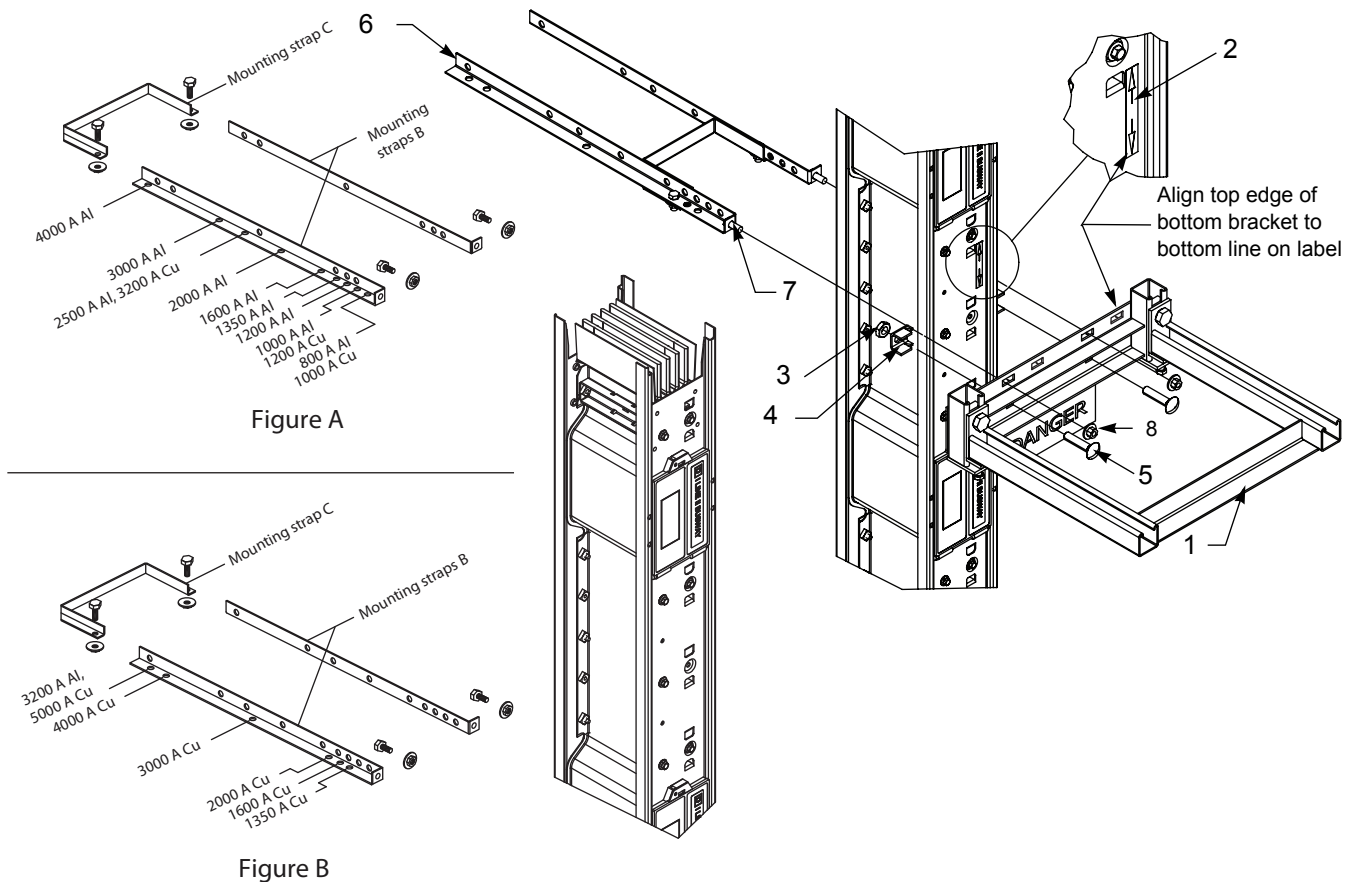
Figure 17 – Placement of Vertical Hanger Locating Label



Refer to Figure 18 for steps 3–10.

3. Unfasten the nuts (3), and remove the U-clamps (4) from the bolts (5) on the bottom bracket (1).
4. Place the top edge of the bottom bracket (1) to the bottom line on the label (2). Ensure that the flange on the bracket aligns with the bottom line on the label as shown. Ensure that the flange on the bracket is perpendicular to the busway.
5. Place the U-clamps (4) onto the bolts (5). Ensure that the notch in each U-clamp goes into the flange of the busway.
6. Thread the nuts (3) onto the bolts (5) and tighten to 32–40 lb-ft (43–54 N•m).
7. Unpack mounting straps B and mounting strap C from box 45200-910-50 in the crate.
8. Orient mounting straps B as shown in either Figure 18 A or Figure 18 B according to the ampere rating and type of busway. Align the slot in the U-shaped mounting strap C with the hole in the side of strap B. Bolt together as shown in Figure 18 A or Figure 18 B. Tighten to 17–21 lb-ft (23–28 N•m).
9. Place the strap assembly (6) around the busway. Feed the bolts (7) through the holes in the strap assembly and the slots in the bottom bracket (1).
10. Thread the nuts (8) onto the bolts (7) and tighten to 17–21 lb-ft (23–28 N•m). The bolts and nuts are packed inside box 45200-910-50.

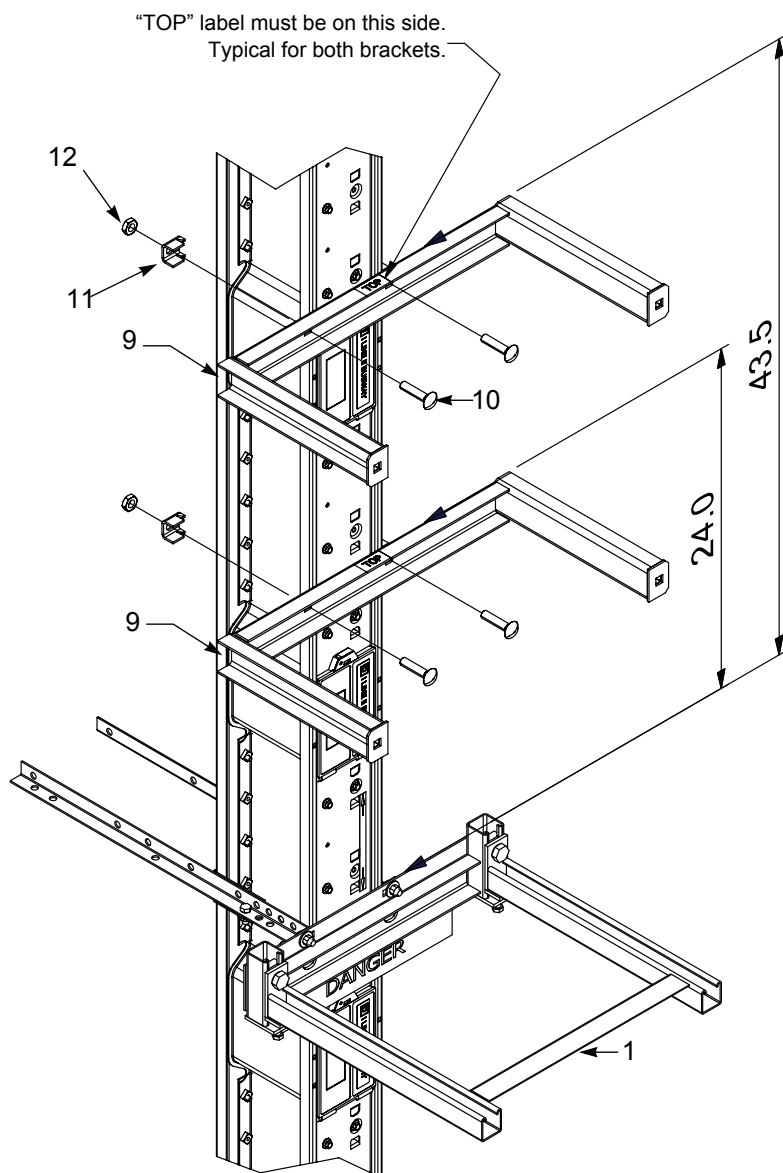
Figure 18 – Vertical Hanger Bottom Bracket Assembly



Refer to Figure 19 for steps 11–15.

11. Unpack the support brackets (9) from the crate. Unfasten the nuts (12) and the U-clamps (11) from the bolts (10).
12. Place the top edge of the upper support bracket (9) at 43.5 in. (1105 mm) above the top edge of the bottom bracket (1).
13. Place the bolts (10) through the bracket (9). Place the U-clamps (11) on the bolts. Ensure that the notch in each U-clamp goes into the flange of the busway. Thread and tighten the nut (12) onto the bolt (10). Tighten to 32–40 lb-ft (43–54 N•m).
14. Place the top edge of the middle support bracket (9) 24.0 in. (610 mm) above the top edge of the bottom bracket (1).
15. Place the bolts (10) through the bracket (9). Place the U-clamps (11) on the bolts. Ensure that the notch in each U-clamp goes into flange of the busway. Thread and tighten the nut (12) onto the bolt (10). Tighten to 32–40 lb-ft (43–54 N•m).

Figure 19 – Vertical Hanger Top and Middle Bracket Assembly



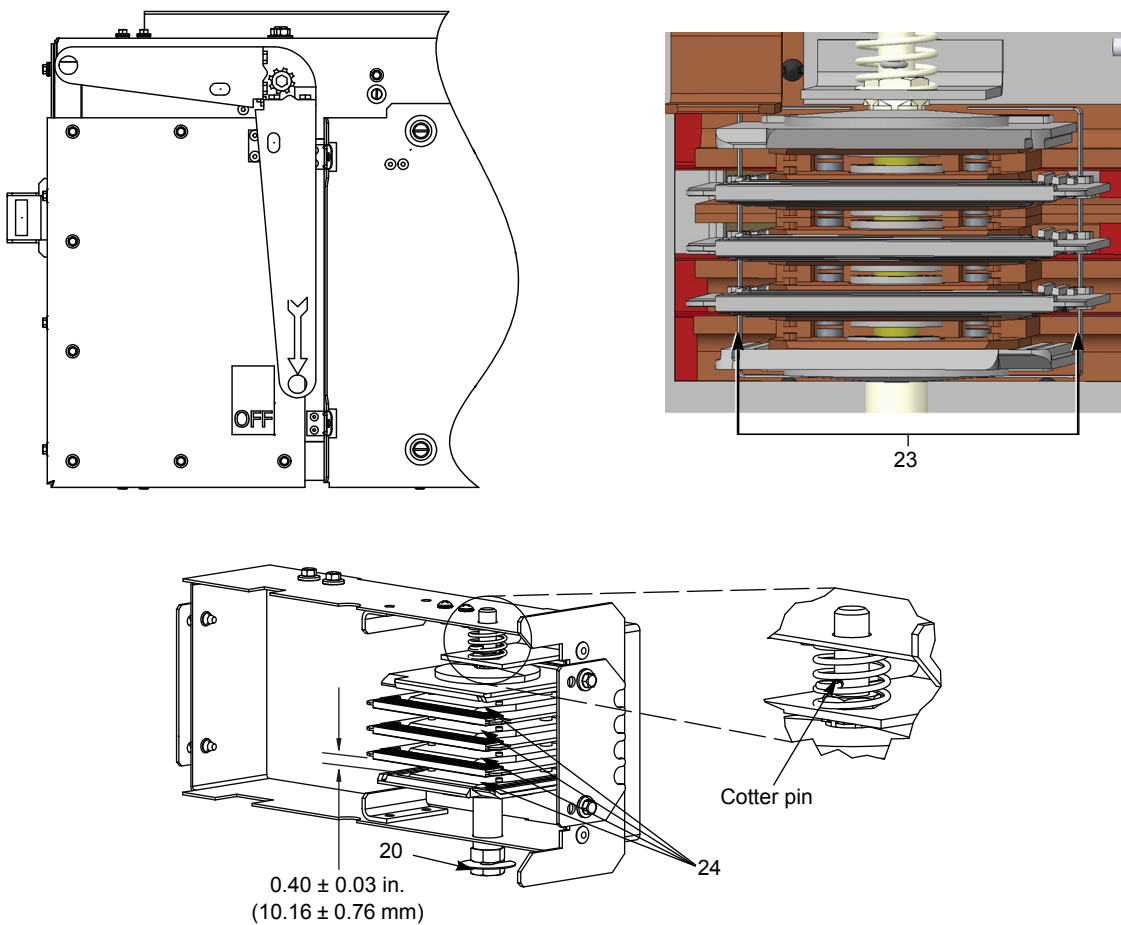
Installing the Plug-In Unit Onto the Busway and Vertical Hanger

Refer to Figure 20 and steps 1–2 to prepare the plug-in unit for installation onto the busway and the vertical hanger.

1. Turn off the power to the plug-in unit by pointing the arrow on the handle to **OFF (O)**.
2. Make sure the retaining springs (23) are present and placed as shown in Figure 20.
3. Visually verify that lubrication is present in the connector plates (24) and adjust the connector bolt (20) until the gap between the bottom copper plates is 0.40 ± 0.03 in. (10.16 ± 0.76 mm).

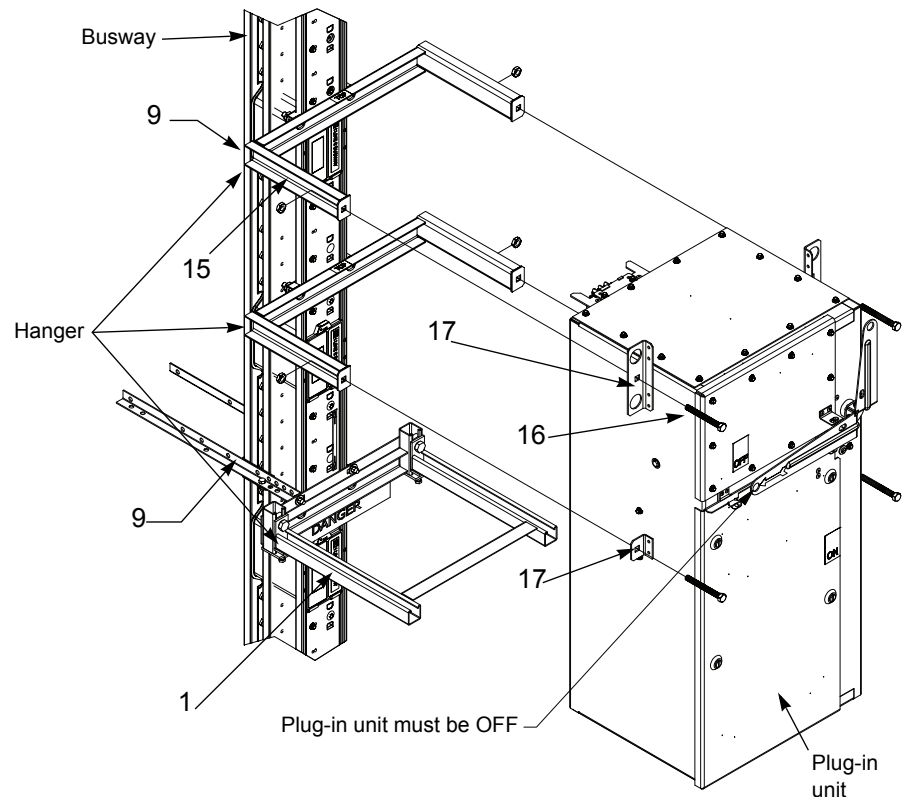
NOTE: The bottom gap must be maintained to assure proper installation and avoid damage to the insulator during installation.

Figure 20 – Preparing the Plug-In Unit for Vertical Installation



4. Depending on the busway type (I-Line or I-Line II) and plug-in opening used, the scalloped barrier position may need to be adjusted. Refer to Step 4 starting on page 13 for proper adjustment, if necessary.
5. Remove the nuts (15) from the hex head bolts (16). Place the unit on the bottom bracket (1) of the hanger.

Figure 21 – Mounting the Vertical Plug-In Unit



6. Horizontally center the alignment brackets (21) on the busway. The alignment brackets should straddle each side of the busway (Figure 22A on page 24).
7. Vertically center the throat to the plug-in opening in the busway. To adjust the plug-in unit up or down, unthread the locking bolts (18) one turn. Adjust the unit with the bolts (19), and then retighten the locking bolts (18) (Figure 23 on page 24).
8. Visually verify the proper connection alignment of the plug-in unit insulator plates (22) (Figure 22B on page 24) and the busway opening with clearance on both sides. Push the unit on, making sure the clearance is maintained until the unit stops. If resistance is encountered, refer to the hanger installation instructions in “Installing the Vertical Hanger Onto the Busway” on page 19 and refer to steps 1-7 in “Installing the Plug-In Unit Onto the Busway and Vertical Hanger” starting on page 22.
9. Thread the bolts (16) through the slot in the brackets (17) (Figure 21) and through the holes in the top and middle bracket assemblies (9).
10. Thread the nuts (15) onto the bolts (16), and tighten them alternately until the alignment bracket (17) straddles each side of the busway (Figure 23 on page 24 and Figure 24 on page 25).

NOTE: Torque should not exceed 15 lb-ft (20 N•m).

Figure 22 – Plug-In Unit Horizontal Adjustment

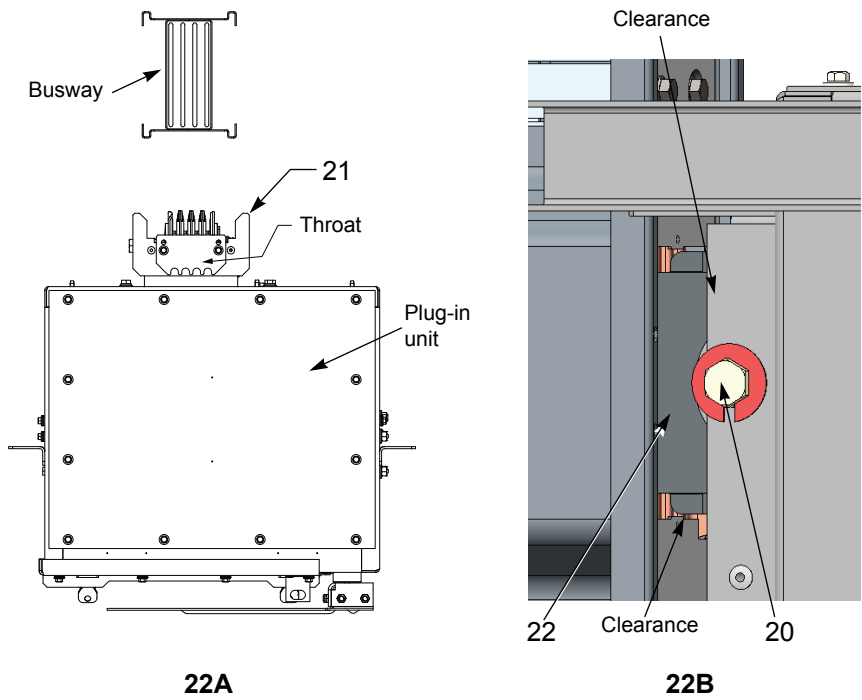


Figure 23 – Plug-In Unit Vertical Adjustment

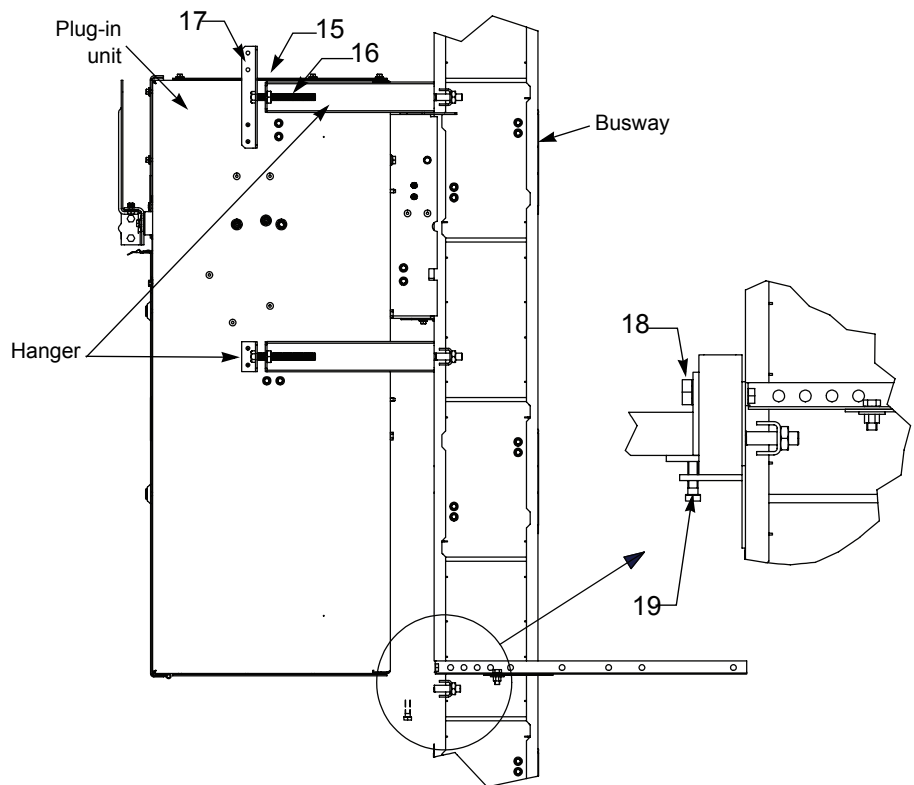
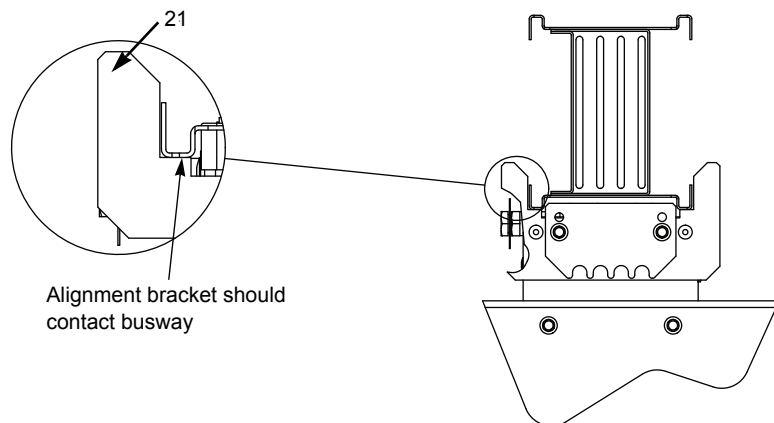
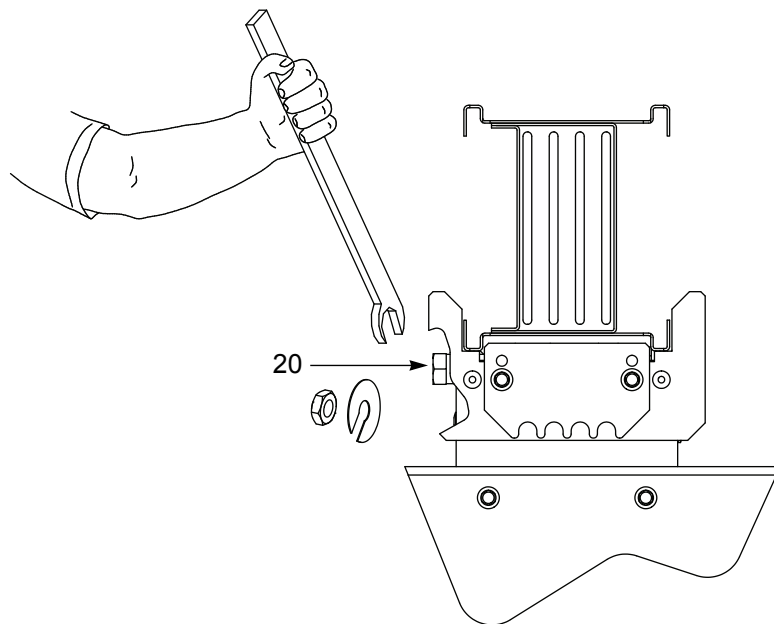


Figure 24 – Plug-In Unit Insertion

11. If the unit is being installed for the first time, tighten the connector bolt (20) until the outer head breaks off. If the unit is being relocated, tighten the connector bolt to 60–80 lb-ft (81–108 N•m) (Figure 25).

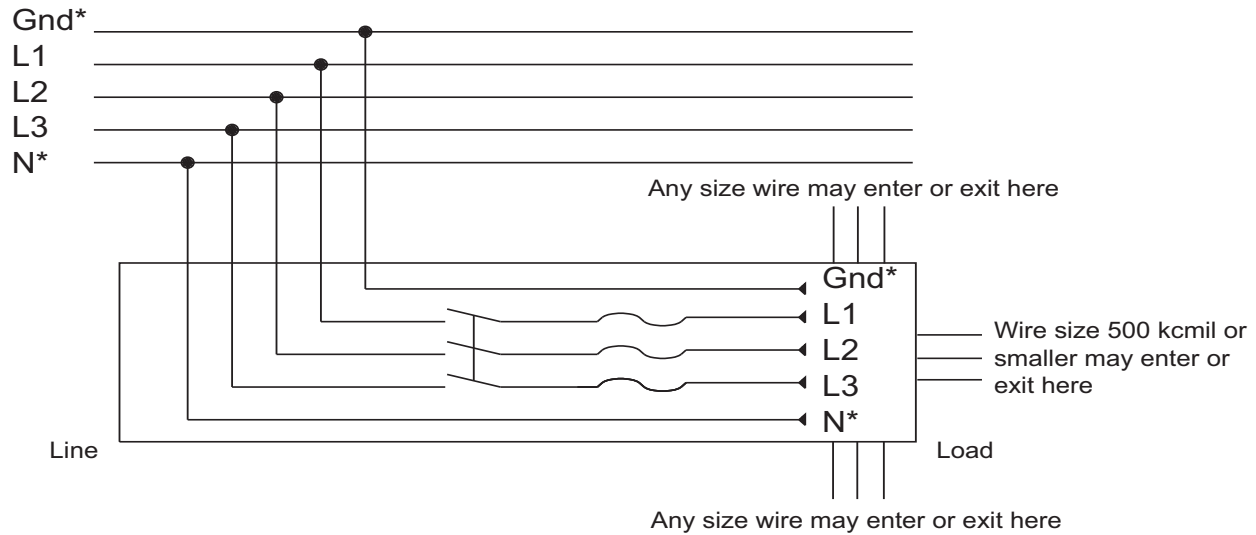
Figure 25 – Clamping the Electrical Connection

Continuity Testing Before Energizing the Busway

1. Conduct a continuity test on the plug-in unit before energizing the busway and installing the load side connections. Refer to "Continuity Testing Before Energizing the Busway" on page 17.
2. Wire the plug-in unit. Refer to "Wiring Diagram" on page 26.

Wiring Diagram

Figure 26 – Standard Application Wiring Diagram



*Where applicable

- Refer to Table 2 on page 29 or the lugs' markings for accepted wire sizes.
- Use copper or aluminum wire.
- Torque the wire binding screws of the phase and neutral lugs to 37 lb-ft (50 N•m).
- Torque the wire binding screws of the ground lugs to 23 lb-ft (31 N•m).
- Torque all fuse mounting screws to 25 lb-ft (34 N•m).

Lug and Wire Size Information

Lugs are suitable for 75 °C copper and aluminum conductors.

For additional lug options, contact your local Schneider Electric representative.

NOTICE
<p>POTENTIAL EQUIPMENT DAMAGE</p> <p>Field modifications of the enclosure (other than the cable entrance holes) are not allowed, as they may adversely affect product performances and the IP54 protection.</p> <p>Failure to follow these instructions can result in equipment damage.</p>

Field modifications of the enclosure (other than the cable entrance holes) are not allowed, as they may adversely affect product performances.

Cables have to be supported/used in accordance with the following codes (depending on the country location):

- the National Electrical Code (NEC), NFPA 70,
- the Canadian Electrical Code, Part 1 (CE Code, Part 1), or
- the Mexican Standard for Electrical Installations (Utility), NOM-001-SEDE.

Table 2 – Lug and Wire Size Information

Type of Unit	Ampere Rating	Phase and Neutral			Ground		
		Number of Wires	Lug Wire Range	Wire Bending Screw Torque	Number of Wires	Lug Wire Range	Wire Bending Screw Torque
PTQ	800	3	3/0–500 kcmil	37 lb-ft (50 N•m)	4	6–300 kcmil	23 lb-ft (31 N•m)
	1000	4					
	1200						

Section 6—Operating

⚠ CAUTION

HAZARD OF PERSONAL INJURY AND EQUIPMENT DAMAGE

- Never insert fingers through any slot of the mechanism housing.
- When turning the mechanism handles, make sure there are no obstructions, such as body parts, in the handle's path.

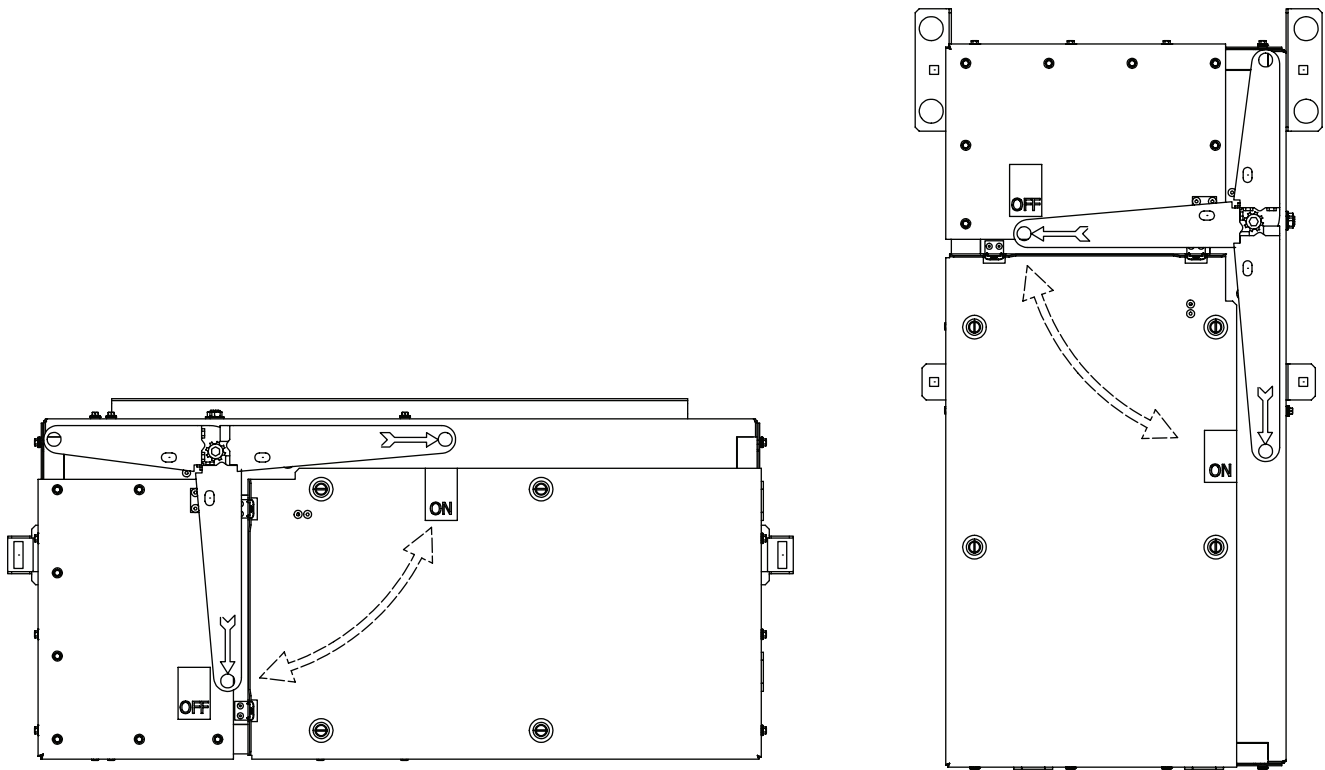
Failure to follow these instructions can result in personal injury and equipment damage.

Turning the Plug-In Unit Switch to the ON (I) and OFF (O) Positions

Operate the plug-in unit handle with a quick, steady motion (Figure 27).

NOTE: When the plug-in unit is out of reach from ground level, operate the handle with a hook stick. Refer to the section “Section 9—Accessories and Replacement Parts” on page 31.

Figure 27 – Turning the Plug-In Unit Switch to the ON (I) and OFF (O) Positions



Padlocking the Plug-In Unit Handle/Door

Standard Application Precautions

⚠ DANGER

HAZARD OF ELECTRIC SHOCK, EXPLOSION, OR ARC FLASH

- Apply appropriate personal protective equipment (PPE) and follow safe electrical work practices. See NFPA 70E, NOM-029-STPS, or CSA Z462.
- This plug-in unit must be installed and serviced only by qualified electrical personnel.
- Turn off power to busway before installing plug-in unit onto the busway.
- Always use a properly rated voltage sensing device at all line and load side connections to confirm that the power is off.
- Padlock the plug-in unit handle in the OFF (O) position.
- Follow all required lock-off and tag-out procedures.

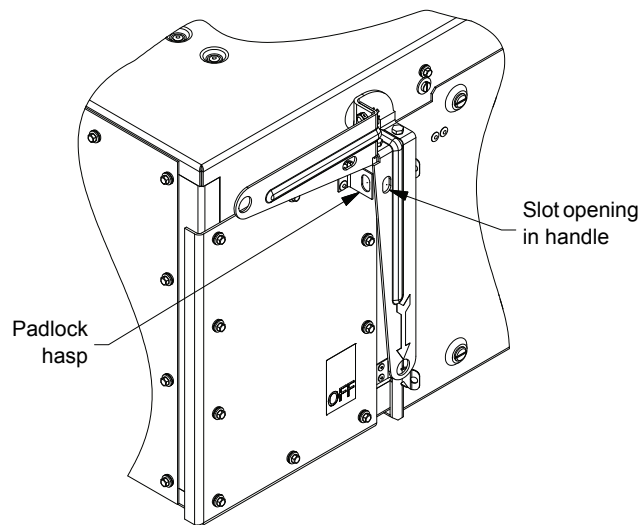
Failure to follow these instructions will result in death or serious injury.

Padlocking the Plug-in Unit Handle

Refer to Figure 28 and steps 1–2 to padlock the plug-in unit handle.

1. Turn the plug-in unit handle to the **OFF (O)** position.
2. To padlock the handle mechanism in the **OFF (O)** position, insert a lockout hasp or a single padlock with a maximum 3/8 in. (9 mm) diameter shackle through the slot opening in the handle and the padlock hasp.

Figure 28 – Padlocking the Plug-In Unit Handle in the OFF (O) Position

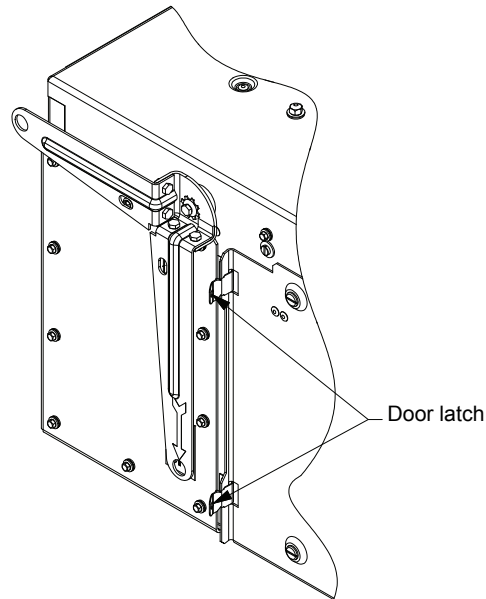


Padlocking the Plug-In Unit Door

Refer to Figure 29 and steps 1–2 to padlock the plug-in unit door.

1. The plug-in unit door can be padlocked closed to prevent unauthorized access to the device. Use a padlock with a maximum 3/8 in. (9 mm) diameter shackle.
2. Fit the padlock through the holes of either door latch.

Figure 29 – Padlocking the Plug-In Unit Door



Section 7—Removing the Plug-In Unit From the Busway

Standard Application Precautions

⚠ DANGER

HAZARD OF ELECTRIC SHOCK, EXPLOSION, OR ARC FLASH

- Apply appropriate personal protective equipment (PPE) and follow safe electrical work practices. See NFPA 70E, NOM-029-STPS, or CSA Z462.
- This plug-in unit must be removed and serviced only by qualified electrical personnel.
- Turn off power to busway before removing the plug-in unit.
- Always use a properly rated voltage sensing device at all line and load side connections to confirm that the power is off.
- Turn off the plug-in unit.
- Do not remove the plug-in unit with the cover open or removed.

Failure to follow these instructions will result in death or serious injury.

1. Turn off all power sources supplying the line and load side connections of the plug-in unit.
2. Turn the plug-in unit to the **OFF (O)** position.

3. Open the unit's door, and detach the base/door assembly from the portion of hook and loop fastener (previously installed) attached to the inside of the plug-in unit.
4. Disconnect the cables from the plug-in unit.
5. Remove the conduit and any conduit fittings.
6. Close the unit's door, and fasten it with the four door latch screws.
7. Remove the plug-in unit from the frame, and the frame from the busway.
8. Install the base/door assembly (detached in step 3) to the plug-in opening on the busway.

Section 8—General Maintenance

Refer to NEMA bulletin BU1.1 for maintenance instructions. Inspect the unit once each year and look for any appreciable accumulation of dust or liquids.

When relocating the plug-in unit, inspect the joint compound on the bolt-on connections for contamination. Replace the joint compound (part number PJC7201) if necessary.

To order accessories and replacement parts, refer to “Section 9—Accessories and Replacement Parts” on page 31, or contact your local Schneider Electric representative.

Section 9—Accessories and Replacement Parts

Table 3 – Accessories and Replacement Parts

Description	Catalog Number
Horizontal hanger assembly	45225-524-50
Vertical hanger assembly	45225-515-50
Hook Stick 8 ft. (2.4 m)	515608
Hook Stick 14 ft. (4.3 m)	515614
Joint Compound	PJC7201
Vertical Hanger Label	45123-897-08

Schneider Electric USA, Inc.

800 Federal Street
Andover, MA 01810 USA
888-778-2733
www.schneider-electric.us

Standards, specifications, and designs may change, so please ask for confirmation that the information in this publication is current.

All trademarks are the property of Schneider Electric SE, its subsidiaries, and affiliated companies. All other trademarks are the property of their respective owners.

© 2013–2018 Schneider Electric All Rights Reserved

45225-499-01B, 05/2018
Replaces 45225-499-01A, 07/2017

Unidades enchufables I-Line™



PTQ (interruptor fusible de 800 a 1 200 A)

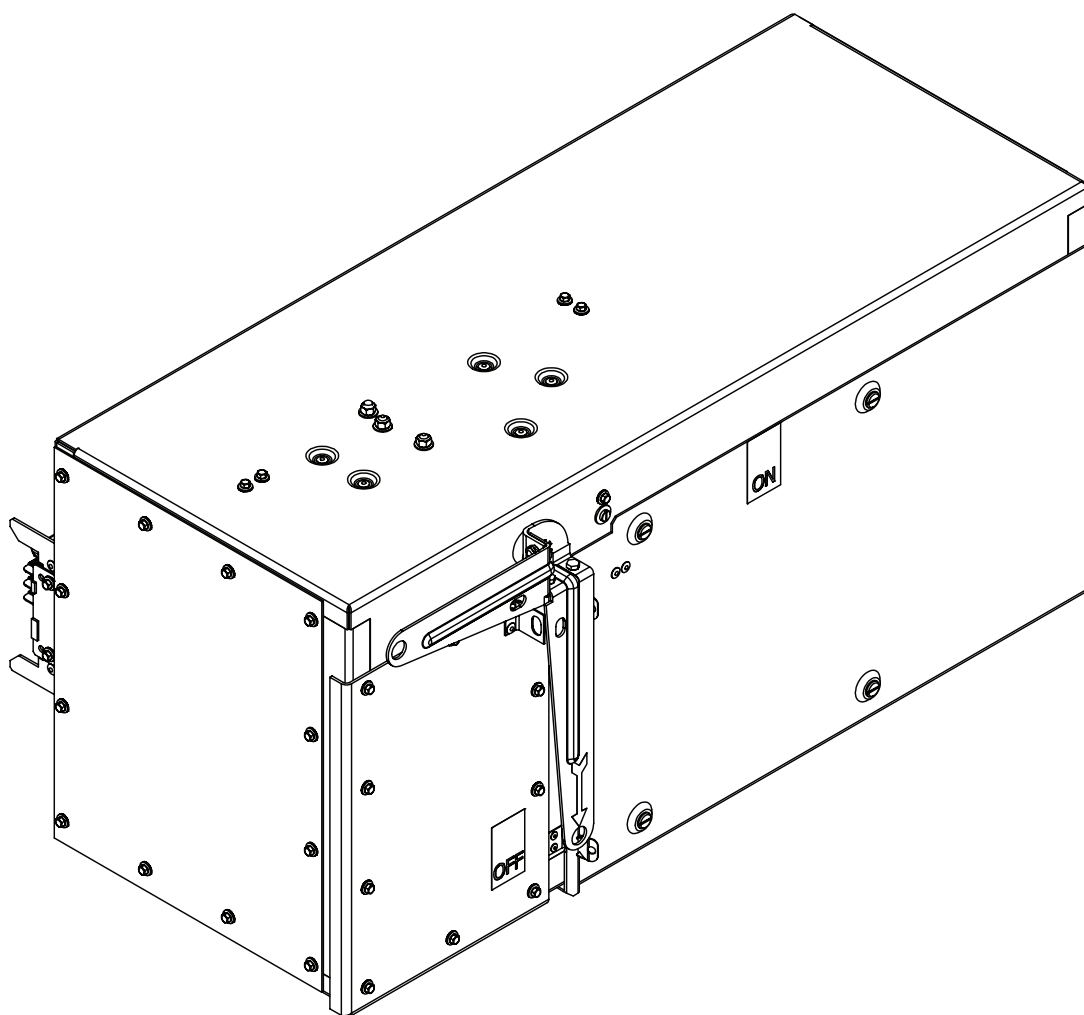
Clase 5630

Boletín de instrucciones

45225-499-01A
07/2017

Conservar para uso futuro.

ESPAÑOL



by Schneider Electric

Categorías de riesgos y símbolos especiales

Asegúrese de leer detenidamente estas instrucciones y realice una inspección visual del equipo para familiarizarse con él antes de instalarlo, hacerlo funcionar o prestarle servicio de mantenimiento. Los siguientes mensajes especiales pueden aparecer en este boletín o en el equipo para advertirle sobre peligros potenciales o llamar su atención sobre cierta información que clarifica o simplifica un procedimiento.



La adición de cualquiera de estos símbolos a una etiqueta de seguridad de “Peligro” o “Advertencia” indica la existencia de un peligro eléctrico que podrá causar lesiones personales si no se observan las instrucciones.



Este es el símbolo de alerta de seguridad. Se usa para avisar sobre peligros potenciales de lesiones. Respete todos los mensajes de seguridad con este símbolo para evitar posibles lesiones o la muerte.

PELIGRO

PELIGRO indica una situación de peligro inminente que, si no se evita, **podrá** causar la muerte o lesiones serias.

ADVERTENCIA

ADVERTENCIA indica una situación potencialmente peligrosa que, si no se evita, **puede** causar la muerte o lesiones serias.

PRECAUCIÓN

PRECAUCIÓN indica una situación potencialmente peligrosa que, si no se evita, **puede** causar lesiones menores o moderadas.

AVISO

AVISO se usa para hacer notar prácticas no relacionadas con lesiones físicas. El símbolo de alerta de seguridad no se usa con esta palabra de indicación.

NOTA: Proporciona información adicional para clarificar o simplificar un procedimiento.

Observe que

Solamente el personal calificado deberá instalar, hacer funcionar y prestar servicios de mantenimiento al equipo eléctrico. Schneider Electric no asume responsabilidad alguna por las consecuencias emergentes de la utilización de este material.

Una persona calificada es aquella que tiene destreza y conocimiento técnico relacionado con la construcción, instalación y funcionamiento del equipo eléctrico; asimismo, esta persona ha recibido capacitación sobre seguridad con la cual puede reconocer y evitar los riesgos involucrados.

Contenido

- Sección 1—Introducción 5
- Sección 2—Precauciones de seguridad..... 5
 - Precauciones de seguridad para aplicaciones estándar 5
- Sección 3—Recibo, manejo y almacenamiento..... 6
 - Recibo 6
 - Manejo 6
 - Almacenamiento 7
- Sección 4—Valores nominales de interrupción de la unidad enchufable..... 8
 - Valores nominales 8
- Sección 5—Instalación de la unidad enchufable en el electroducto.. 8
 - Precauciones de seguridad para aplicaciones estándar 8
 - Prueba de pre-instalación 9
 - Instrucciones para montaje horizontal 10
 - Preparación del electroducto antes de instalar el soporte de montaje y la unidad enchufable 10
 - Instalación del soporte de montaje horizontal sobre el electroducto 11
 - Instalación de la unidad enchufable en el electroducto y en el soporte de montaje horizontal 12
 - Prueba de continuidad antes de energizar el electroducto 17
 - Instrucciones para montaje vertical 19
 - Preparación del electroducto antes de instalar el soporte de montaje y la unidad enchufable 19
 - Instalación del soporte de montaje vertical sobre el electroducto el electroducto 20
 - Instalación de la unidad enchufable en el electroducto y en el soporte de montaje vertical 23
 - Prueba de continuidad antes de energizar el electroducto 27
 - Diagrama de alambrado 28
 - Información de tamaño de conductor y zapata 29
- Sección 6—Funcionamiento 30
 - Palanca de la unidad enchufable en las posiciones de desconectado (O/OFF) y conectado (I/ON) 30
 - Bloqueo de la palanca/puerta de la unidad enchufable con candado 31
 - Precauciones de seguridad para aplicaciones estándar 31
 - Bloqueo de la palanca de la unidad enchufable con candado 31
 - Bloqueo de la puerta de la unidad enchufable con un candado 32
- Sección 7—Desmontaje de la unidad enchufable del electroducto. 33
 - Precauciones de seguridad para aplicaciones estándar 33

ESPAÑOL

Sección 8—Servicio de mantenimiento general	34
Sección 9—Accesorios y piezas de repuesto	34

Lista de figuras

Figura 1 – Levantamiento del equipo con una grúa	7
Figura 2 – Prueba de pre-instalación de las unidades enchufables montadas horizontalmente	9
Figura 3 – Prueba de preinstalación de las unidades enchufables montadas verticalmente	9
Figura 4 – Preparación del electroducto antes de instalar el soporte de montaje y la unidad enchufable	10
Figura 5 – Instalación del soporte de montaje horizontal sobre el electroducto ...	11
Figura 6 – Preparación de la unidad enchufable para su instalación de forma horizontal	12
Figura 7 – Barreras dentadas derecha e izquierda en posición de fábrica	13
Figura 8 – A. Abertura para enchufar a la izquierda de la unión de electroductos B. Barrera dentada derecha instalada empleando los agujeros redondos	13
Figura 9 – A. Electroducto I-Line (caja ondulada) B. Ambas barreras dentadas instaladas usando los agujeros oblongos (se muestra la barrera derecha)	14
Figura 10 – Ubicación de los soportes de alineación	14
Figura 11 – Ajuste vertical de la unidad enchufable	15
Figura 12 – Ajuste horizontal de la unidad enchufable	16
Figura 13 – Instalación de la unidad enchufable en el electroducto	16
Figura 14 – Apriete de los herrajes de la conexión eléctrica	17
Figura 15 – Seguros y tornillo de enclavamiento de la puerta	18
Figura 16 – Preparación del electroducto antes de instalar el soporte de montaje y la unidad enchufable	19
Figura 17 – Colocación de la etiqueta de alineación del soporte de montaje vertical ...	20
Figura 18 – Ensamble del soporte de montaje vertical inferior	21
Figura 19 – Ensamble de los soportes de montaje vertical superior e intermedio ...	22
Figura 20 – Preparación de la unidad enchufable para instalarla verticalmente .	23
Figura 21 – Montaje de la unidad enchufable vertical	24
Figura 22 – Ajuste horizontal de la unidad enchufable	25
Figura 23 – Ajuste vertical de la unidad enchufable	26
Figura 24 – Inserción de la unidad enchufable	26
Figura 25 – Apriete de los herrajes de la conexión eléctrica	27
Figura 26 – Diagrama de alambrado para aplicaciones estándar	28
Figura 27 – Posiciones de conexión (I/ON) y desconexión (O/OFF) del desconectador de la unidad enchufable	30
Figura 28 – Bloqueo de la palanca de la unidad enchufable con un candado en la posición de desconectado (O/OFF)	31
Figura 29 – Bloqueo de la puerta de la unidad enchufable con un candado	32

Lista de tablas

Tabla 1 – Valores nominales de la unidad enchufable con interruptor fusible PTQ.	8
Tabla 2 – Información de tamaño de conductor y zapata.....	29
Tabla 3 – Accesorios y piezas de repuesto	34

Sección 1—Introducción

Este boletín contiene las instrucciones de manejo, almacenamiento, instalación, funcionamiento y servicios de mantenimiento de las unidades enchufables I-Line™ PTQ marca Square D™ con interruptor fusible de 800 a 1 200 A, fabricadas por Schneider Electric. Tanto los ingenieros como el personal de supervisión, funcionamiento e instalación del comprador del equipo deberán familiarizarse con este boletín así como con el aspecto y las características del equipo. Asegúrese de leer y comprender todo el contenido de este boletín antes de realizar las tareas de instalación, funcionamiento y servicios de mantenimiento.

Sección 2—Precauciones de seguridad

Precauciones de seguridad para aplicaciones estándar

⚠ PELIGRO

PELIGRO DE DESCARGA ELÉCTRICA, EXPLOSIÓN O DESTELLO POR ARQUEO

- Utilice equipo de protección personal (EPP) apropiado y siga las prácticas de seguridad en trabajos eléctricos establecidas por su Compañía, consulte la norma 70E de NFPA o Z462 de CSA y NOM-029-STPS.
- Solamente el personal eléctrico calificado deberá instalar y prestar servicio de mantenimiento a esta unidad enchufable.
- Siga las instrucciones descritas en las etiquetas de seguridad colocadas en el equipo así como las de este boletín.
- Desenergice el electroducto antes de instalar o retirar la unidad enchufable de él.
- Siempre utilice un dispositivo detector de tensión de valor nominal adecuado en todas las conexiones de los lados de línea y carga para confirmar la desenergización del equipo.
- No instale la unidad enchufable sobre un electroducto de cobre I-Line II de 800 A.
- No instale, ni haga funcionar o retire la unidad enchufable con la cubierta abierta o desmontada.
- Instale únicamente dispositivos de 3 polos en el electroducto de 3 polos. Instale únicamente dispositivos de 4 polos en el electroducto de 4 polos. Solamente un dispositivo deberá instalarse en el electroducto con sufijo "G" en el número de catálogo.
- Utilice un probador de continuidad o un megóhmetro para 1 000 Vcd como máximo para verificar el aislamiento de fase a fase, de fase a neutro y a tierra.
- Desenergice el electroducto antes de realizar cualquier trabajo en el lado de línea de la unidad enchufable.
- Desenergice la unidad enchufable antes de abrir o realizar cualquier trabajo dentro de la unidad.
- Antes de cerrar la puerta o de volver a colocar la cubierta-mecanismo, realice una inspección minuciosa al área del desconectador y asegúrese de no haber dejado ninguna herramienta ni objeto sobre o dentro del equipo.

El incumplimiento de estas instrucciones podrá causar la muerte o lesiones serias.

Sección 3—Recibo, manejo y almacenamiento

Recibo

Al recibir el equipo, revise la lista de embalaje y compárela con el equipo recibido para asegurarse de que no haya faltantes según la orden de compra y el envío. Las reclamaciones por piezas faltantes o errores deberán hacerse por escrito a Schneider Electric dentro de los 60 días después de la entrega. El incumplimiento de dicho aviso constituirá su aceptación incondicional y la renuncia de dichas reclamaciones por parte del comprador.

Al recibir el equipo, de inmediato realice una inspección visual para ver si encuentra algún daño que pudo haber sucedido durante su transporte. Si encuentra algún daño o tiene alguna sospecha de daño, de inmediato presente una reclamación a la compañía de transportes y notifique a Schneider Electric. La entrega del equipo a la compañía de transporte, en cualquiera de las plantas de Schneider Electric o cualquier otro punto de embarque, constituye la entrega al comprador independientemente del pago de flete y título de propiedad. Todos los riesgos de pérdida o daños se transfieren al comprador en ese momento.

Para obtener detalles sobre las reclamaciones por piezas faltantes del equipo y otros errores, consulte los "Términos y condiciones de venta" de Schneider Electric.

Manejo

⚠ PRECAUCIÓN

REQUISITOS DE MANEJO ESPECIAL

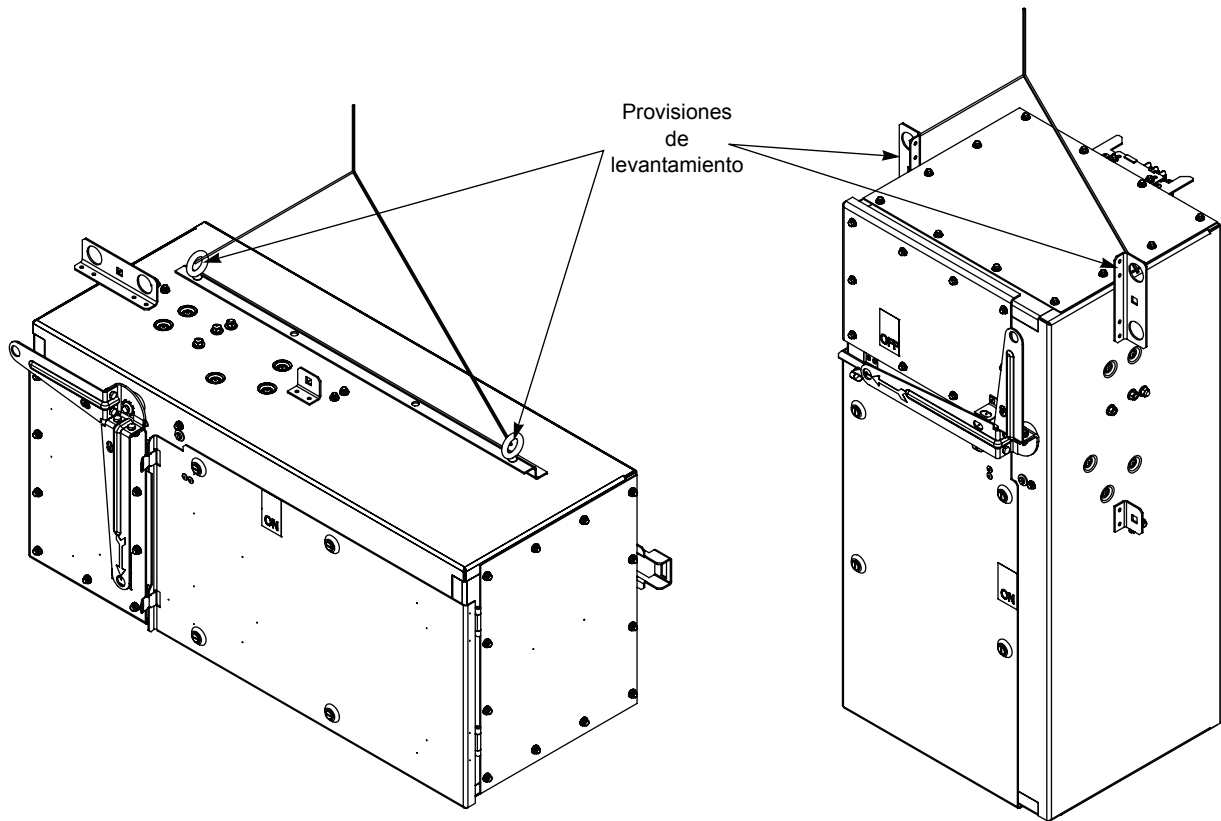
Utilice siempre soportes de levantamiento para desempacar, mover, levantar e instalar la unidad enchufable en su plataforma de suspensión.

El incumplimiento de estas instrucciones puede causar lesiones personales o daño al equipo.

Maneje las unidades enchufables con cuidado para evitar que se dañen los componentes del interior y el gabinete o su acabado. Evite torcer, abollar, dejar caer o manejar violentamente la unidad enchufable. Utilice un sacaclavos al desempacar los cajones de embalaje de madera. Asegúrese de que el equipo disponible en el sitio de instalación sea adecuado para manejar la unidad enchufable. Verifique la capacidad de elevación de la grúa u otro equipo de manejo disponible. Consulte el manual correspondiente a los sistemas de electroductos para obtener las especificaciones de peso.45225-499-01

Si va a levantar la unidad enchufable con una grúa, utilice armellas (no incluidas) en el canal ubicado en la parte superior de las unidades enchufables horizontales, o en los soportes de levantamiento de las unidades enchufables verticales (vea la figura 1 en la página 7). Si utiliza un montacargas, coloque la unidad enchufable sobre las horquillas para distribuir el peso adecuadamente. Tenga cuidado de no dañar la caja de metal. Evite el uso de objetos con bordes filosos para levantar la unidad enchufable. Nunca arrastre la unidad enchufable.

Figura 1 – Levantamiento del equipo con una grúa



Almacenamiento

AVISO

POSIBLE CONTAMINACIÓN DEL EQUIPO

- Almacene el equipo en un lugar limpio y seco.
- Proteja el equipo contra contaminantes tales como agua, sales, concreto u otros elementos corrosivos.

El incumplimiento de estas instrucciones puede causar daño al equipo.

Si no se instala o energiza la unidad enchufable de inmediato, almacénela en el interior de un edificio, en un lugar limpio y seco con temperatura uniforme. Proteja la unidad contra contaminantes tales como agua, sales, concreto u otros elementos corrosivos.

Sección 4—Valores nominales de interrupción de la unidad enchufable

Valores nominales

Tabla 1 – Valores nominales de la unidad enchufable con interruptor fusible PTQ

Prefijo del número de catálogo de la unidad enchufable	Valores nominales de intensidad de corriente de la unidad enchufable ¹	Valor nominal de interrupción ²		Valor nominal máx.	
		A (kA) simétricos rcm	Volts (~)	Amperes	Volts (~)
PTQ	800–1200	100	240 480 600	1200	600

¹ Consulte la placa de datos en el exterior del dispositivo para conocer la intensidad de la corriente de la unidad.

² Uso de fusibles clase L.

Sección 5—Instalación de la unidad enchufable en el electroducto

Precauciones de seguridad para aplicaciones estándar

⚠ PELIGRO

PELIGRO DE DESCARGA ELÉCTRICA, EXPLOSIÓN O DESTELLO POR ARQUEO

- Utilice equipo de protección personal (EPP) apropiado y siga las prácticas de seguridad en trabajos eléctricos establecidas por su Compañía, consulte la norma 70E de NFPA o Z462 de CSA y NOM-029-STPS.
- Solamente el personal eléctrico calificado deberá instalar y prestar servicio de mantenimiento a esta unidad enchufable.
- Desenergice el electroducto antes de instalar la unidad enchufable en él.
- Siempre utilice un dispositivo detector de tensión de valor nominal adecuado en todas las conexiones de los lados de línea y carga para confirmar la desenergización del equipo.
- Desenergice la unidad enchufable.
- No instale la unidad enchufable sobre un electroducto de cobre I-Line II de 800 A.
- No instale la unidad enchufable con la cubierta abierta o desmontada.
- Instale únicamente dispositivos de 3 polos en el electroducto de 3 polos. Instale únicamente dispositivos de 4 polos en el electroducto de 4 polos. Solamente un dispositivo deberá instalarse en el electroducto con sufijo "G" en el número de catálogo.
- Utilice un probador de continuidad o un megóhmetro para 1 000 Vcd como máximo para verificar el aislamiento de fase a fase, de fase a neutro y a tierra.

El incumplimiento de estas instrucciones podrá causar la muerte o lesiones serias.

Prueba de pre-instalación

Consulte “Funcionamiento” en la página 33 para obtener instrucciones acerca del funcionamiento de este equipo.

1. Antes de instalar la unidad enchufable en el electroducto, asegúrese de que la puerta de la unidad esté cerrada.
2. Coloque la palanca de la unidad enchufable en la posición de **conectado (I/ON)**, figuras 2 y 3.
3. Utilice un probador de continuidad o un megóhmetro para 1 000 Vcd como máximo para verificar el aislamiento de fase a fase, de fase a neutro y a tierra.
4. Regrese la palanca de la unidad enchufable a la posición de **desconectado (O/OFF)**, figuras 2 y 3.

Figura 2 – Prueba de pre-instalación de las unidades enchufables montadas horizontalmente

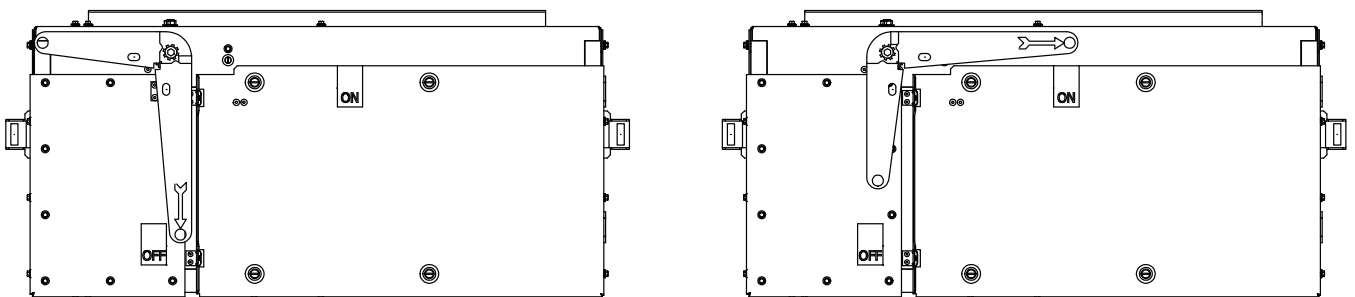
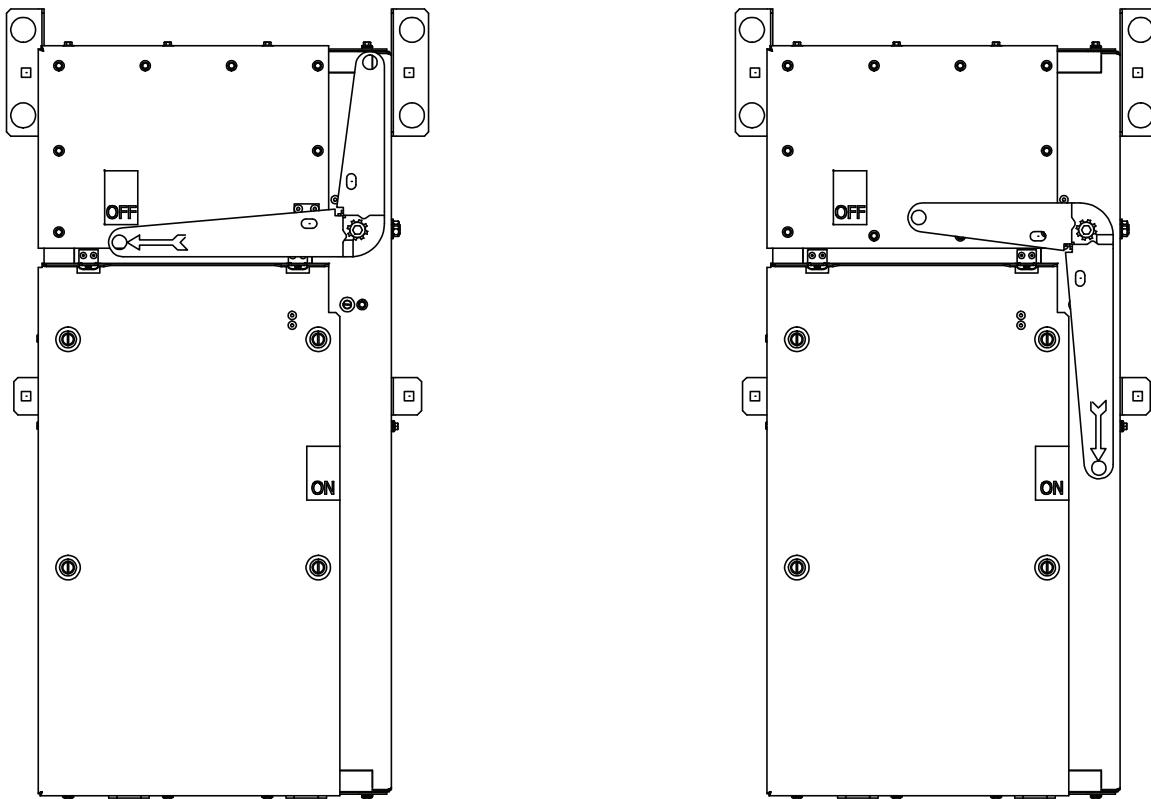


Figura 3 – Prueba de preinstalación de las unidades enchufables montadas verticalmente



Instrucciones para montaje horizontal

NOTA: Consulte las instrucciones de seguridad al principio de “Precauciones de seguridad para aplicaciones estándar” en la página 13 antes de instalar la unidad enchufable en el electroducto.

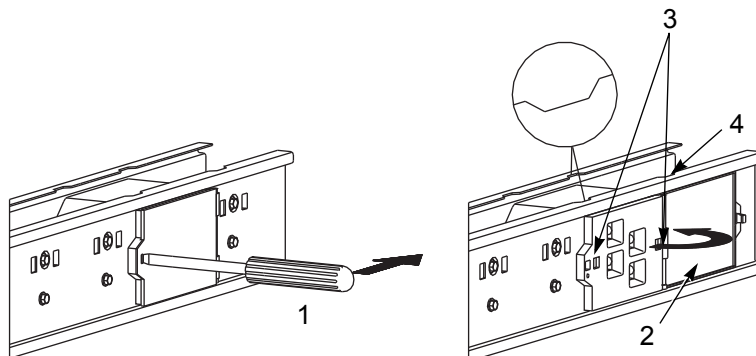
Para asegurar una conexión eléctrica apropiada en el electroducto, las mordazas de la unidad enchufable han sido revestidas con un compuesto para juntas antioxidante especial. **No retire este compuesto.** Si se llega a contaminar el compuesto para juntas, solicite el compuesto de repuesto (número de pieza PJC7201) de su distribuidor local de Schneider Electric.

Preparación del electroducto antes de instalar el soporte de montaje y la unidad enchufable

Consulte la figura 4 y los pasos del 1 al 9 para preparar el electroducto antes de instalar el soporte y la unidad enchufable.

1. Desenergice el electroducto.
2. Inserte un destornillador de punta plana (1) en la ranura de la puerta y suelte el sujetador del gancho de la puerta.
3. Gire la puerta (2) hasta abrirla completamente.
4. Afloje y retire los dos tornillos de montaje (3) que sostienen a la base. Conserve los tornillos. Retire el ensamble de base/puerta.
5. Guarde los tornillos en los agujeros de la base y cierre la puerta.
6. Dentro de la unidad enchufable encontrará pedazos de sujetadores de material adherente. Desprenda el papel protector del pedazo que no está adherido al gabinete y coloque el sujetador en la superficie plana de la puerta del ensamble de base/puerta que retiró en el paso 4.
7. Si desea conservar el ensamble de base/puerta para usarlo posteriormente, presione el ensamble completo contra el pedazo del sujetador de material adherente en el gabinete.
8. Cierre la puerta de la unidad enchufable.
9. Localice la muesca de montaje (4) en la parte superior del riel del electroducto, arriba y a la derecha de la abertura del electroducto. Esta muesca de montaje permite colocar correctamente el soporte sobre el electroducto.

Figura 4 – Preparación del electroducto antes de instalar el soporte de montaje y la unidad enchufable

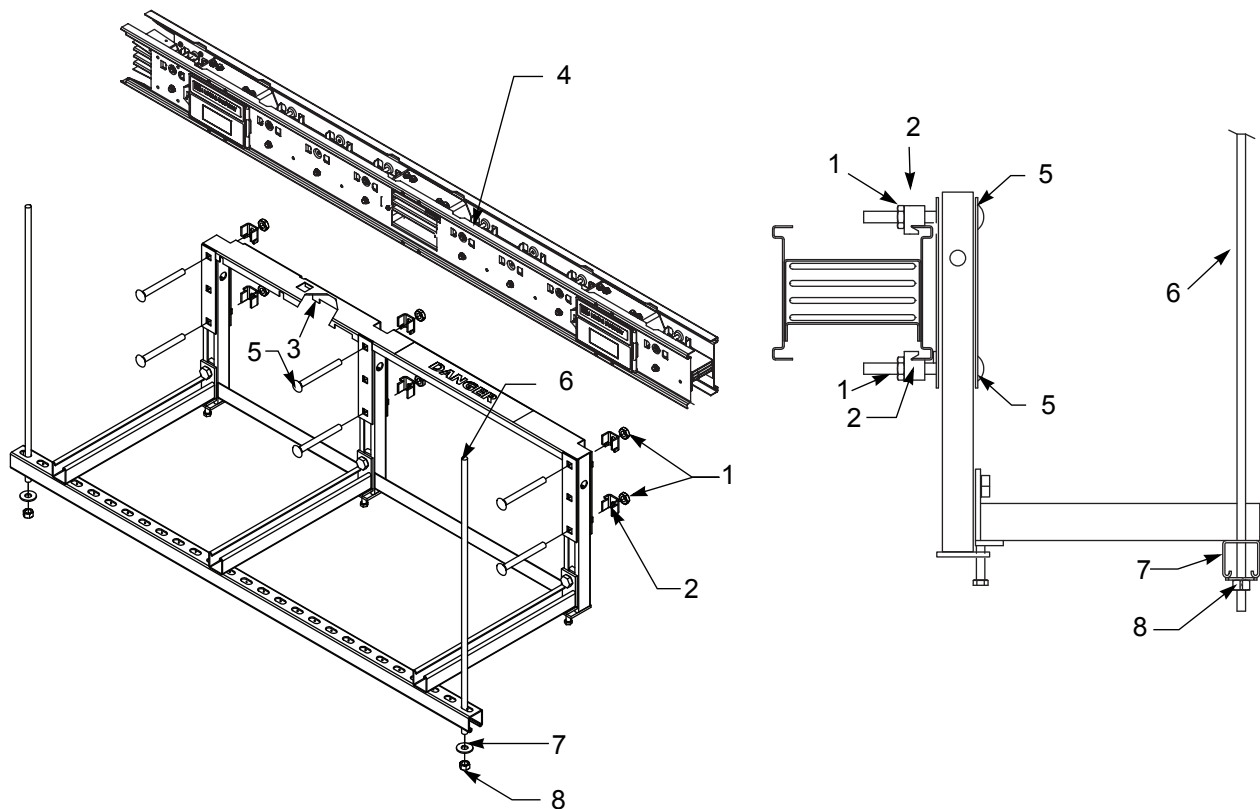


Instalación del soporte de montaje horizontal sobre el electroducto

Consulte la figura 5 y los pasos del 1 al 7 para instalar el soporte de montaje horizontal en el electroducto.

1. Afloje las tuercas (1).
 2. Retire las abrazaderas en U (2).
 3. Coloque la lengüeta del soporte de montaje (3) en la muesca de montaje del electroducto (4) localizada en el paso 9 en la página 10.
 4. Coloque las abrazaderas en U (2) en los tornillos (5). Asegúrese de enganchar cada muesca de las abrazaderas en U en el reborde del electroducto.
 5. Rosque las tuercas (1) en los tornillos (5). Apriete las tuercas de 125 a 150 lbs-pulg (14 a 17 N•m).
 6. Coloque las dos varillas roscadas (6) dentro de las ranuras exteriores del soporte de montaje. Sujete las dos varillas roscadas a la estructura del edificio.
- NOTA:** Las varillas roscadas no vienen incluidas.
7. Coloque las roldanas (7) y rosque las tuercas (8) en las varillas roscadas. Asegúrese de que la plataforma del soporte de montaje esté nivelada y perpendicular con respecto a la parte frontal del electroducto.
- NOTA:** Las roldanas y las tuercas no vienen incluidas.

Figura 5 – Instalación del soporte de montaje horizontal sobre el electroducto



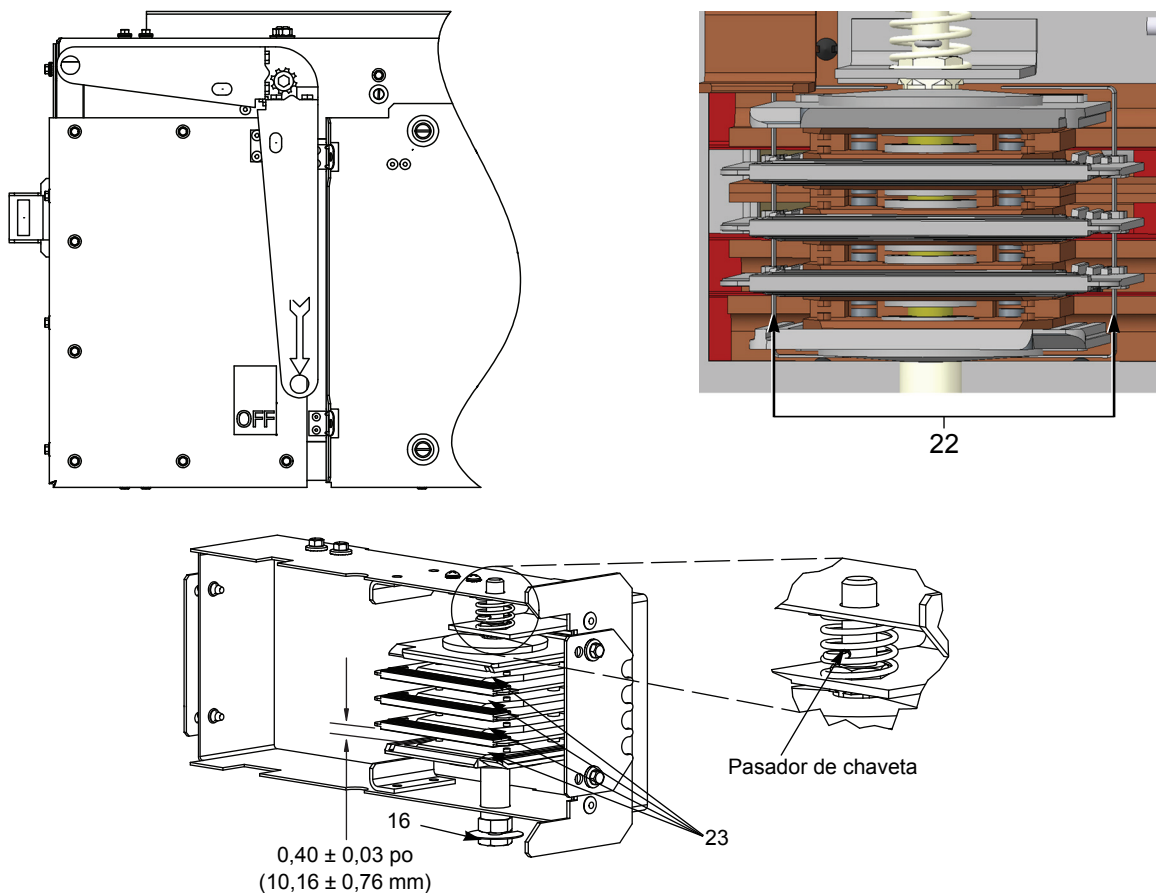
Instalación de la unidad enchufable en el electroducto y en el soporte de montaje horizontal

Consulte la figura 6 y los pasos 1 a 2 para preparar la unidad enchufable para su instalación en el electroducto y en el soporte de montaje horizontal.

1. Desconecte el suministro de alimentación de la unidad enchufable orientando la flecha en la palanca hacia **OFF (O)**.
2. Asegúrese de que los resortes de sujeción (22) estén presentes y ubicados como se muestra en la figura 6.
3. Verifique visualmente que haya lubricación de las placas del conector (23) y ajuste el tornillo (16) del conector hasta que el espacio entre las placas de cobre inferiores sea de $0,40 \pm 0,03$ pulg ($10,16 \pm 0,76$ mm).

NOTA: El espacio inferior debe mantenerse para asegurar una instalación adecuada y evitar dañar el aislador durante la instalación.

Figura 6 – Preparación de la unidad enchufable para su instalación de forma horizontal

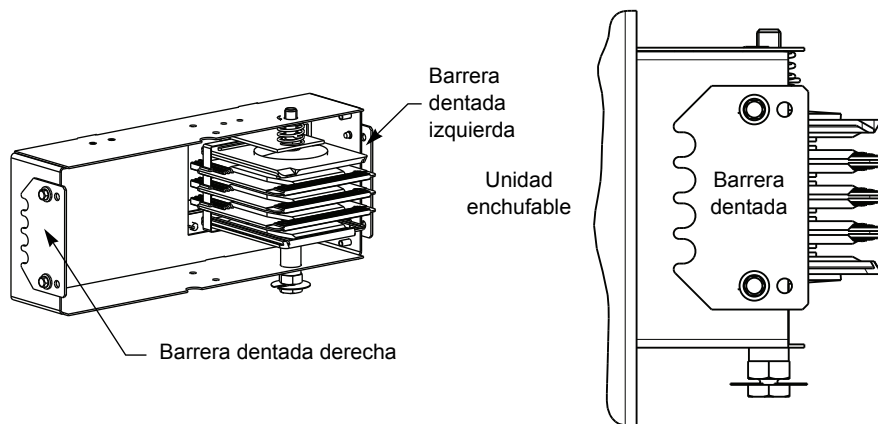


4. Dependiendo del tipo de electroducto I-Line (caja ondulada, figura 9A) o I-Line II y de la abertura para enchufar del electroducto utilizada, tal vez sea necesario ajustar la posición de las barreras dentadas.

Cuando está instalada en un electroducto I-Line II:

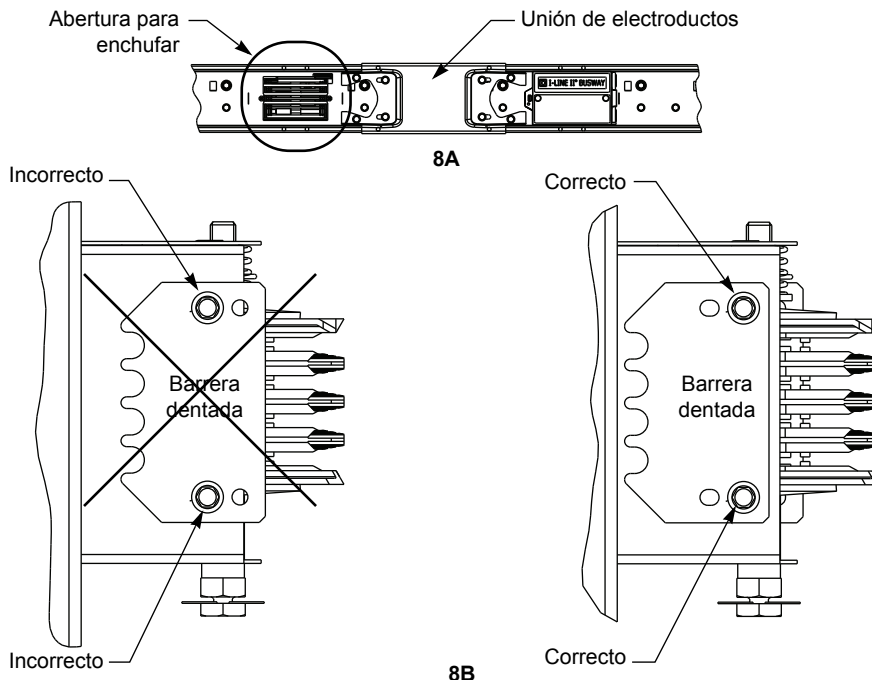
- Si va a instalar la unidad enchufable en cualquier otra abertura para enchufar del electroducto que no sea a la izquierda de la unión de electroductos (figura 8A), deje ambas barreras dentadas derecha e izquierda como llegaron de fábrica (figura 7).

Figura 7 – Barreras dentadas derecha e izquierda en posición de fábrica



- Si va a instalar la unidad enchufable en una abertura para enchufar del electroducto a la izquierda de la unión de electroductos (figura 8A), reubique sólo la barrera dentada derecha (figura 7) empleando los agujeros redondos (figura 8B).

**Figura 8 – A. Abertura para enchufar a la izquierda de la unión de electroductos
B. Barrera dentada derecha instalada empleando los agujeros redondos**

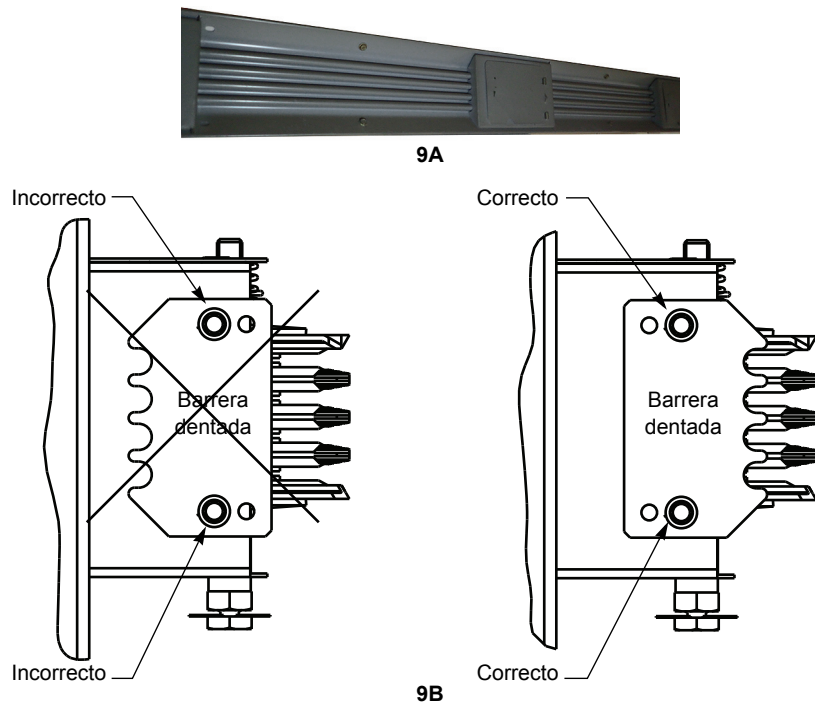


ESPAÑOL

Cuando se instala en un electroducto I-Line (caja ondulada, vea la figura 9A):

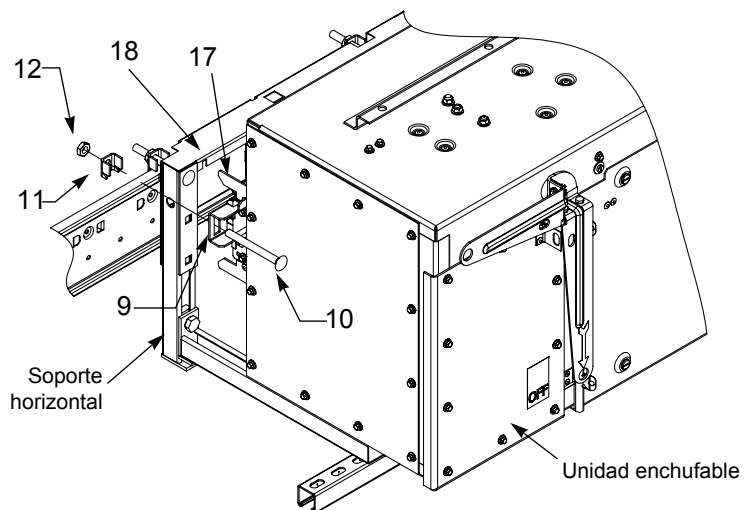
- Desmonte ambas barreras dentadas derecha e izquierda. Gire cada barrera 180° de su posición de fábrica (figura 7) y vuelva a instalar usando los agujeros oblongos (figura 9B). El lado dentado de ambas barreras derecha e izquierda debe estar orientado hacia el electroducto (figura 9B).

**Figura 9 – A. Electroducto I-Line (caja ondulada)
B. Ambas barreras dentadas instaladas usando los agujeros oblongos (se muestra la barrera derecha)**



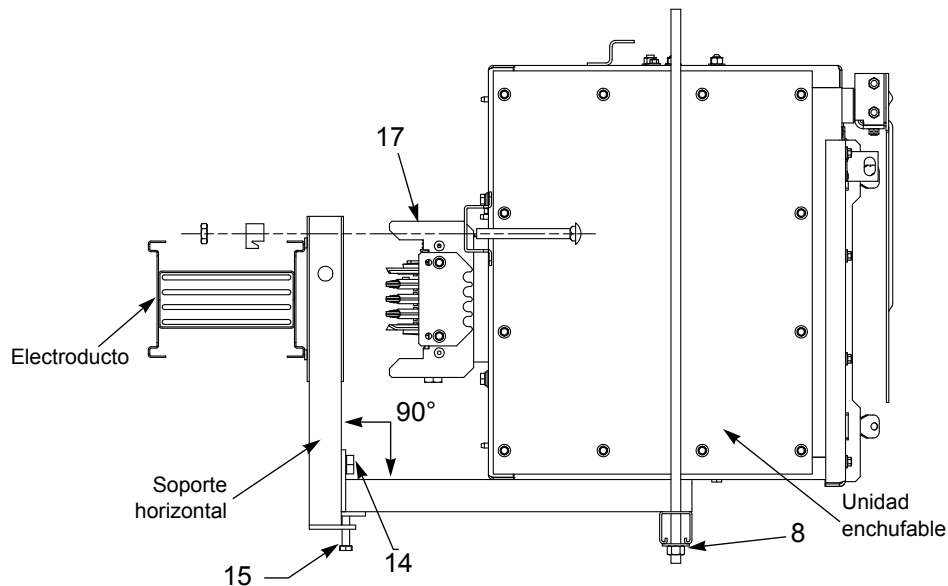
5. Retire las tuercas (12) y las abrazaderas en U (11) de los tornillos de carro (10). Coloque la unidad sobre el soporte de montaje. Asegúrese de que el soporte de alineación (17) se alinee horizontalmente en la ranura del soporte (18) (figura 10).

Figura 10 – Ubicación de los soportes de alineación



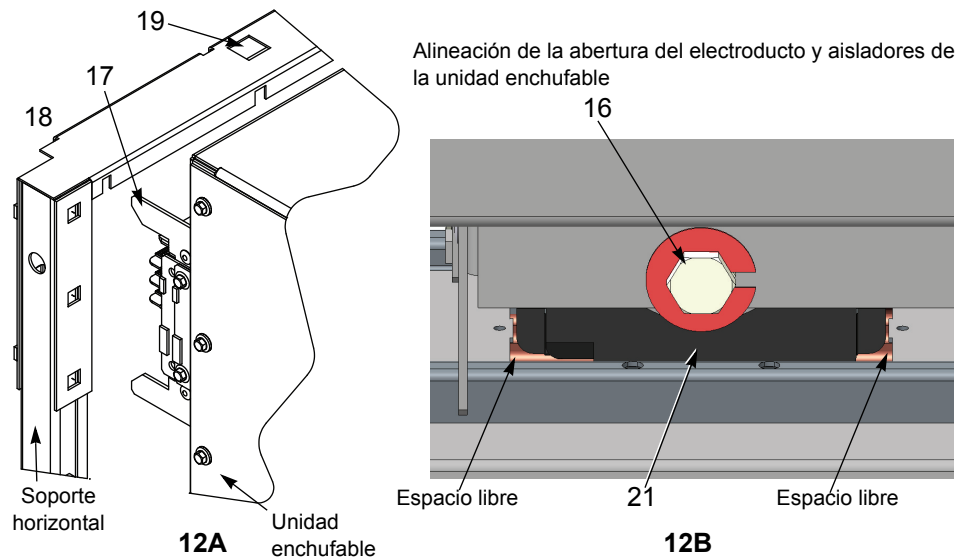
6. Centre verticalmente el soporte de alineación (17) en el electroducto (vea la figura 11).
7. Para ajustar la unidad hacia arriba o hacia abajo, desenrosque los tornillos (14) dándoles una vuelta. Ajuste la unidad con los tornillos (15) y las tuercas (8), luego, vuelva a apretar los tornillos (14), figura 11.

Figura 11 – Ajuste vertical de la unidad enchufable



8. Verifique visualmente a través de la ventanilla de visualización (19) (figura 12A) o de la parte inferior de la unidad enchufable (20) (figura 13 en la página 16) la alineación de conexión correcta de las placas aisladoras de la unidad enchufable (21) y que la abertura del electroducto tenga espacio libre en ambos lados (figura 12B). Empuje la unidad y asegúrese de que el espacio libre se mantenga hasta que la unidad se detenga. Si se encuentra alguna resistencia, consulte las instrucciones de instalación del soporte en “Instalación del soporte de montaje horizontal sobre el electroducto” en la página 11 y consulte los pasos 1-6 en “Instalación de la unidad enchufable en el electroducto y en el soporte de montaje horizontal” en la página 12.

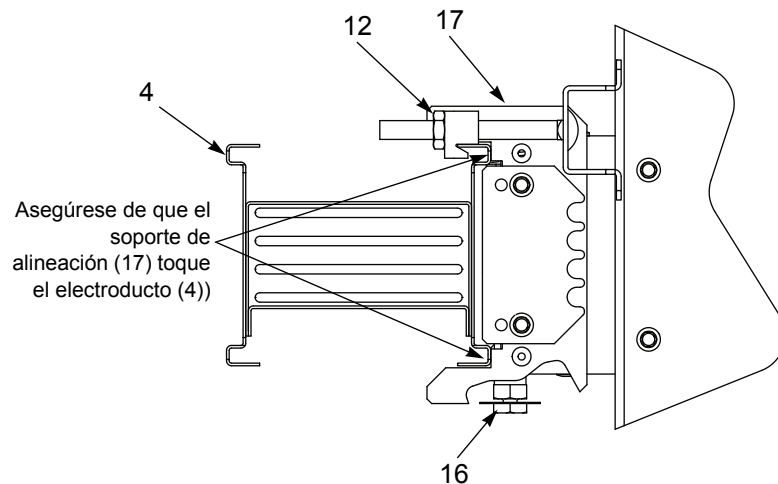
Figura 12 – Ajuste horizontal de la unidad enchufable



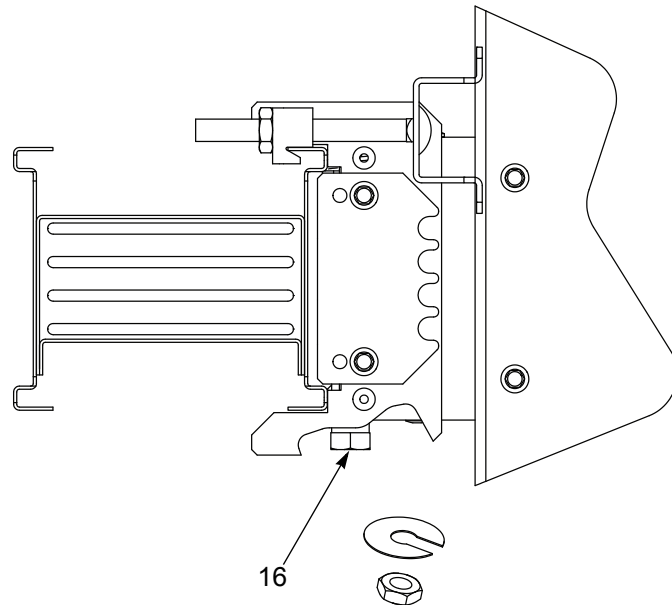
9. Coloque las abrazaderas en U (11) sobre el electroducto y en cada lado de la unidad enchufable. Enrosque los pernos (10) en las ranuras del soporte de la unidad enchufable (9) y en los orificios de las abrazaderas en U (11) (figura 10 en la página 14).
10. Enrosque las tuercas (12) en los pernos (10) y apriételas manualmente (figura 10 en la página 14). Asegúrese de enganchar cada muesca de las abrazaderas en U en el reborde del electroducto.
11. Apriete cada tuerca (12) de forma alternada hasta que el soporte de alineación (17) toque el electroducto (4) (figura 13).

NOTA: El par de apriete no debe exceder las 15 lb-ft (20 N•m)

Figura 13 – Instalación de la unidad enchufable en el electroducto



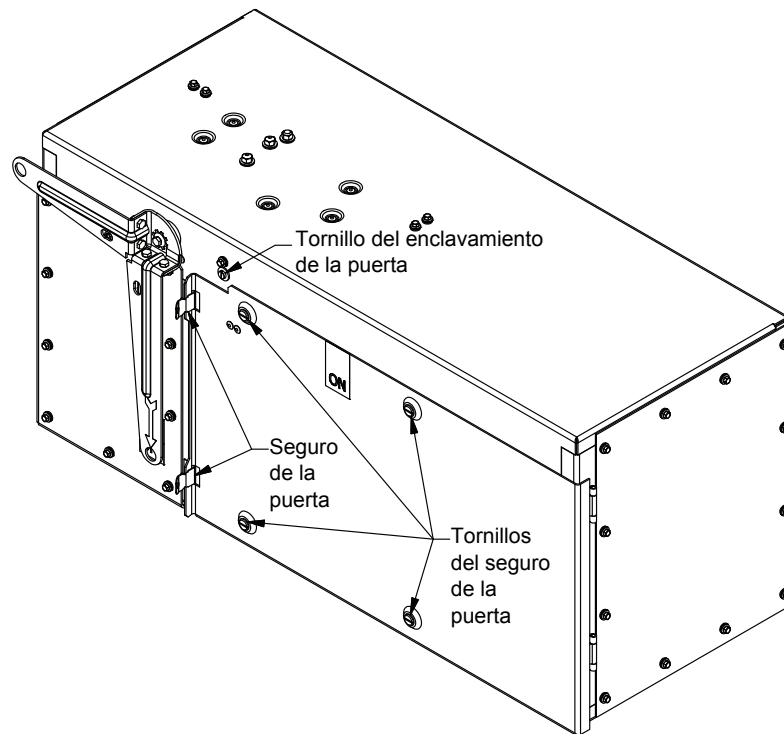
12. Si se está instalando la unidad por primera vez, apriete el tornillo (16) del conector hasta desprender la cabeza externa. Si va a reubicar la unidad, apriete el tornillo del conector de 60 a 80 lbs-pie (81 a 108 N•m), figura 14.

Figura 14 – Apriete de los herrajes de la conexión eléctrica**Prueba de continuidad antes de energizar el electroducto**

Consulte la figura 15 y los pasos del 1 al 4 para realizar la prueba de continuidad antes de energizar el electroducto.

1. Realice una prueba de continuidad a la unidad enchufable antes de energizar el electroducto y realizar las conexiones del lado de carga.
 - a. Coloque la palanca en la posición de conectado (**I/ON**).
 - b. Desatornille los cuatro tornillos de la puerta. Luego, presione los dos seguros de la puerta; deje que se abra la puerta hasta enganchar el enclavamiento.
 - c. Gire el tornillo del enclavamiento de la puerta en sentido contrario al de las manecillas del reloj y deje que abra la puerta completamente

Figura 15 – Seguros y tornillo de enclavamiento de la puerta



- d. Abra una puerta con apertura para enchufar del electroducto que no esté en uso (vea la figura 4 en la página 10).
 - e. Utilice un probador de continuidad o un megóhmetro para 1 000 Vcd como máximo para verificar el aislamiento de fase a fase, de fase a neutro y a tierra.
2. Coloque la palanca de la unidad enchufable en la posición de **(O/OFF)**.
 3. Cierre las puertas de la unidad enchufable y del electroducto una vez que haya completado la prueba; apriete los cuatro tornillos de la puerta.
 4. Conecte los cables de la unidad enchufable. Consulte el "Diagrama de alambrado" en la página 30

Instrucciones para montaje vertical

Instale la unidad enchufable de manera que las zapatas dentro de la caja estén orientadas hacia abajo.

NOTA: Consulte las instrucciones de seguridad al principio de “Precauciones de seguridad para aplicaciones estándar” en la página 13 antes de instalar la unidad enchufable en el electroducto.

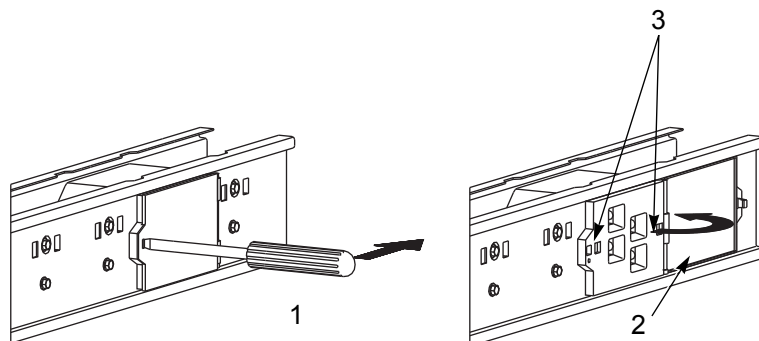
Para asegurar una conexión eléctrica apropiada en el electroducto, las mordazas de la unidad enchufable han sido revestidas con un compuesto para juntas antioxidante especial. **No retire este compuesto.** Si se llega a contaminar el compuesto para juntas, solicite el compuesto de repuesto (número de pieza PJC7201) de su distribuidor local de Schneider Electric.

Preparación del electroducto antes de instalar el soporte de montaje y la unidad enchufable

Consulte la figura 14 y los pasos del 1 al 8 para preparar el electroducto antes de instalar el soporte de montaje y la unidad enchufable.

1. Desenergice el electroducto.
2. Inserte un destornillador de punta plana (1) en la ranura de la puerta y suelte el sujetador del gancho de la puerta.
3. Gire la puerta (2) hasta abrirla completamente.
4. Afloje y retire los dos tornillos de montaje (3) que sostienen a la base. Conserve estos herrajes. Retire el ensamble de base/puerta.
5. Guarde los tornillos en los agujeros de la base y cierre la puerta.
6. Dentro de la unidad enchufable encontrará pedazos de sujetadores de material adherente. Desprenda el papel protector del pedazo que no está adherido al gabinete y coloque el sujetador en la superficie plana de la puerta del ensamble de base/puerta que retiró en el paso 4.
7. Si desea conservar el ensamble de base/puerta para usarlo posteriormente, presione el ensamble completo contra el pedazo del sujetador de material adherente en el gabinete.
8. Cierre la puerta de la unidad enchufable.

Figura 16 – Preparación del electroducto antes de instalar el soporte de montaje y la unidad enchufable



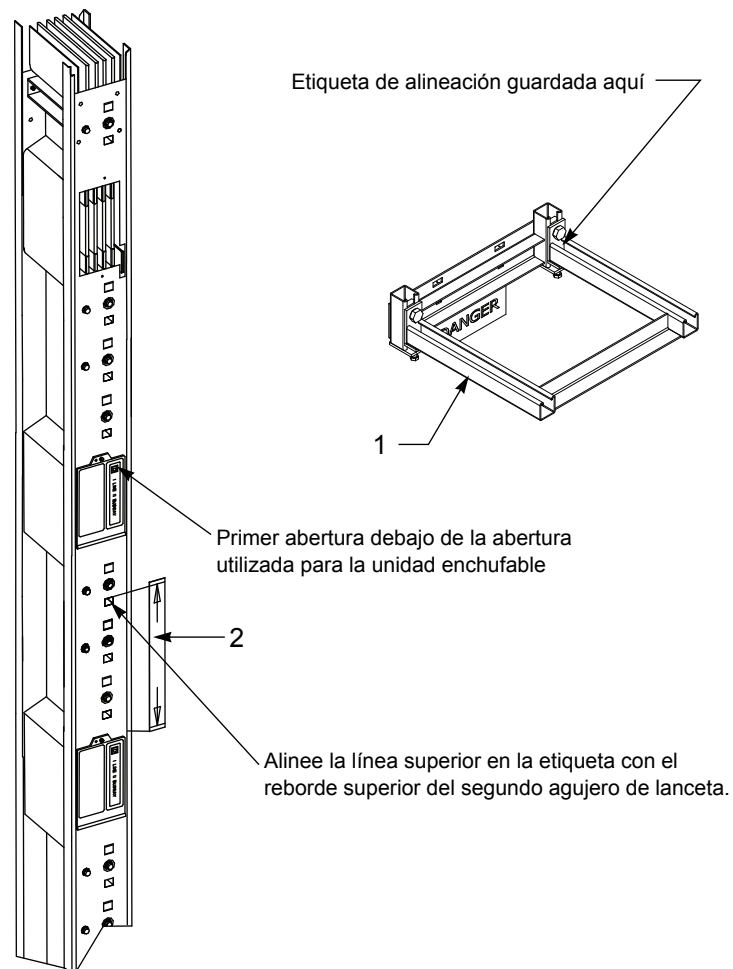
Instalación del soporte de montaje vertical sobre el electroducto el electroducto

NOTA: Si va a reubicar el soporte de montaje vertical, solicite la etiqueta de repuesto (número de pieza 45123-897-08) para las unidades con interruptores automáticos de su distribuidor local de Schneider Electric.

Consulte la figura 17 y los pasos 1 y 2 para instalar la etiqueta de alineación del soporte de montaje vertical en el electroducto.

1. Retire el soporte inferior (1) de la caja de embalaje. Localice la etiqueta de alineación (2) dentro de la pata del soporte.
2. Desprenda el papel protector de la etiqueta (2) y adhiera la etiqueta al electroducto.

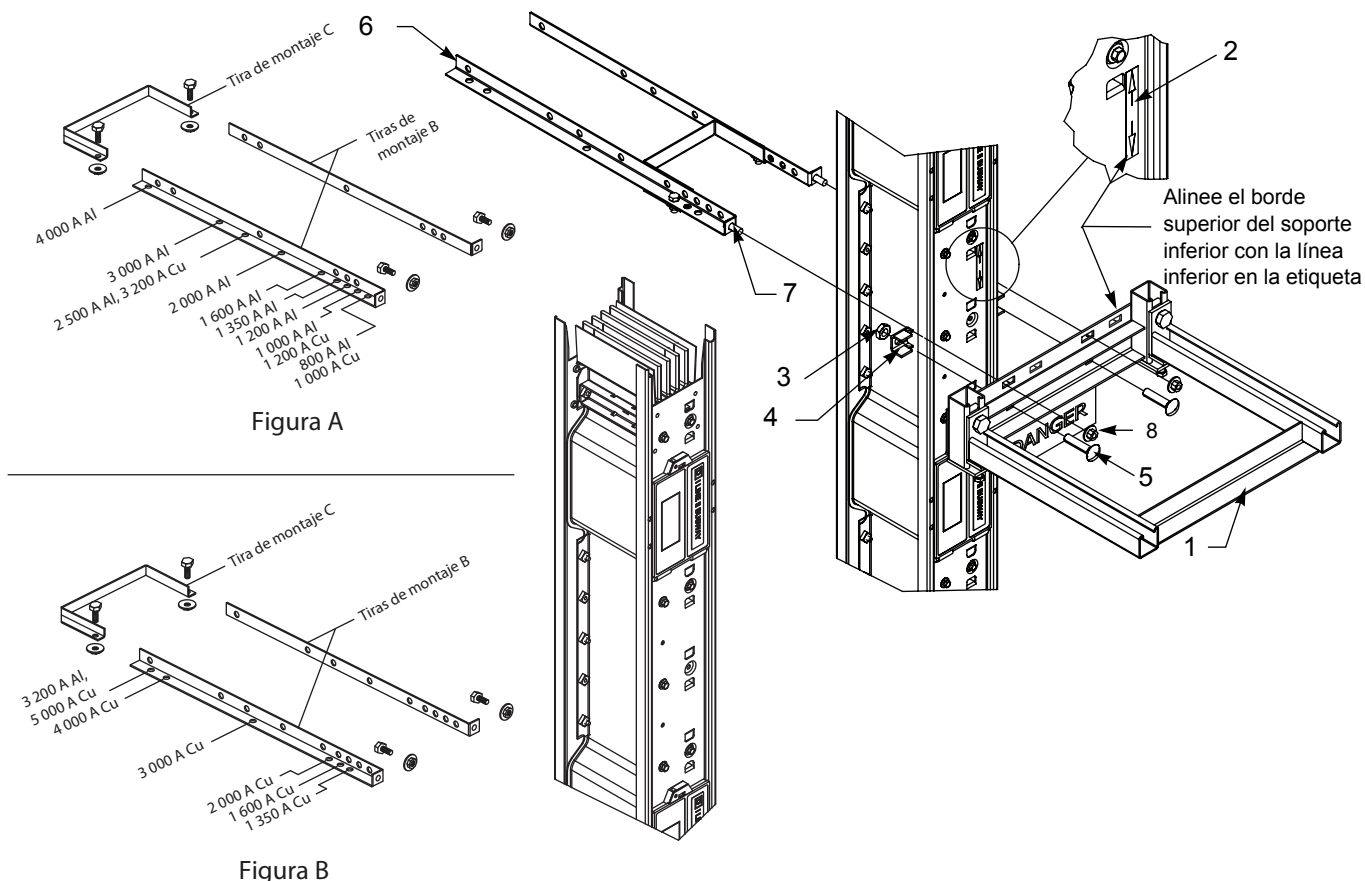
Figura 17 – Colocación de la etiqueta de alineación del soporte de montaje vertical



Consulte la figura 18 al realizar los pasos del 3 al 10.

3. Afloje las tuercas (3) y retire las abrazaderas en U (4) de los tornillos (5) ubicados en el soporte inferior (1).
4. Coloque el reborde superior del soporte inferior (1) hasta la línea inferior en la etiqueta (2). Asegúrese de que el reborde en el soporte esté alineado con la línea inferior en la etiqueta, como se muestra. Asegúrese de que el reborde en el soporte se encuentre perpendicular con respecto al electroducto.
5. Coloque las abrazaderas en U (4) en los tornillos (5). Asegúrese de enganchar cada muesca de las abrazaderas en U en el reborde del electroducto.
6. Rosque las tuercas (3) en los tornillos (5) y apriételas de 32 a 40 lbs-pie (43 a 54 N•m).
7. Desempaque las tiras de montaje B y la tira de montaje C de la caja 45200-910-50 en el embalaje.
8. Oriente las tiras de montaje B como se muestra en la figuras 18 A o 18 B según el valor nominal en amperes y el tipo de electroducto. Alinee la ranura en la tira de montaje C en forma de U con el agujero al lado de la tira B. Atornille como se muestra en las figuras 18 A o 18 B y apriete los herrajes de 17 a 21 lbs-pulg (23 a 28 N•m).
9. Coloque el ensamble de tiras (6) alrededor del electroducto. Pase los tornillos (7) por los agujeros en el ensamble de tiras y por las ranuras en el soporte inferior (1).
10. Rosque las tuercas (8) en los tornillos (7) y apriételas de 17 a 21 lbs-pulg (23 a 28 N•m). Los tornillos y las tuercas vienen dentro de la caja 45200-910-50.

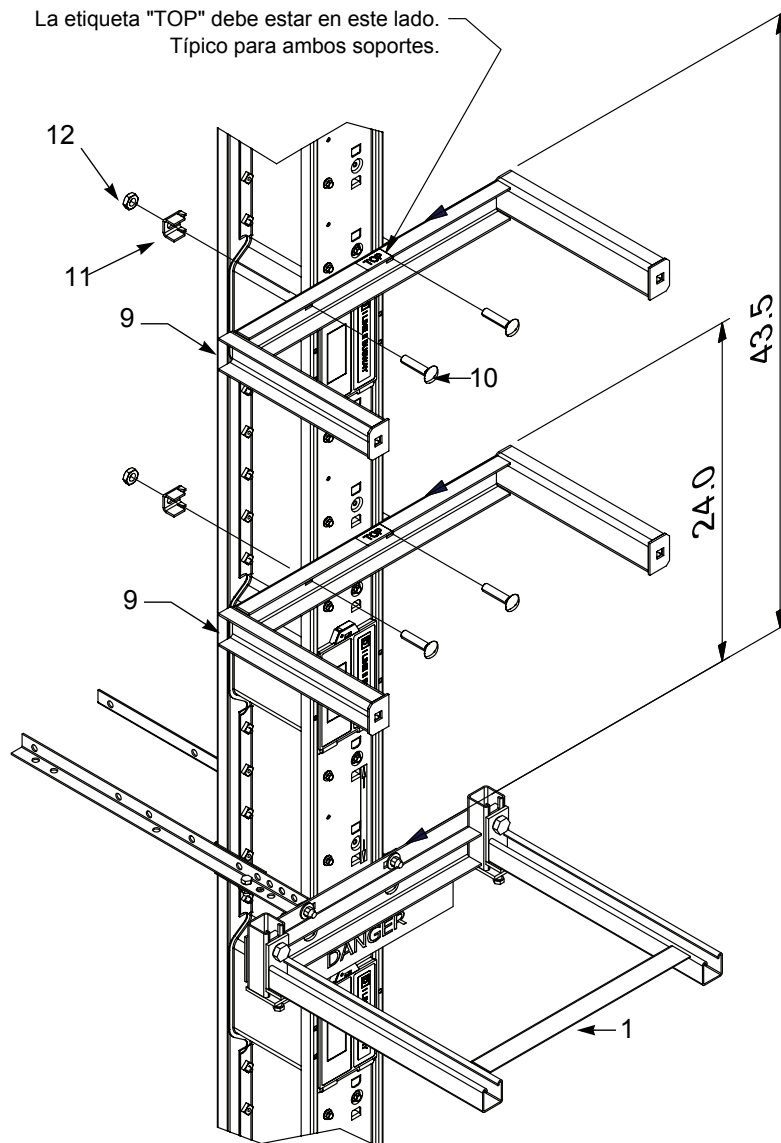
Figura 18 – Ensamble del soporte de montaje vertical inferior



Consulte la figura 19 al realizar los pasos del 11 al 15.

11. Desempaque los soportes (9) de la caja de embalaje. Afloje las tuercas (12) y las abrazaderas en U (11) de los tornillos (10).
12. Coloque el reborde superior del soporte superior (9) a una distancia de 43,5 pulgadas (1 105 mm) por encima del reborde superior del soporte inferior (1).
13. Pase los tornillos (10) por el soporte (9). Coloque las abrazaderas (11) en los tornillos. Asegúrese de enganchar cada muesca de las abrazaderas en U en el reborde del electroducto. Rosque y apriete la tuerca (12) en el tornillo (10). Apriete de 32 a 40 lbs-pie (43 a 54 N•m).
14. Coloque el reborde superior del soporte intermedio (9) a una distancia de 24 pulg (610 mm) por encima del reborde superior del soporte inferior (1).
15. Pase los tornillos (10) por el soporte (9). Coloque las abrazaderas en U (11) en los tornillos. Asegúrese de enganchar cada muesca de las abrazaderas en U en el reborde del electroducto. Rosque y apriete la tuerca (12) en el tornillo (10). Apriete de 32 a 40 lbs-pie (43 a 54 N•m).

Figura 19 – Ensamble de los soportes de montaje vertical superior e intermedio



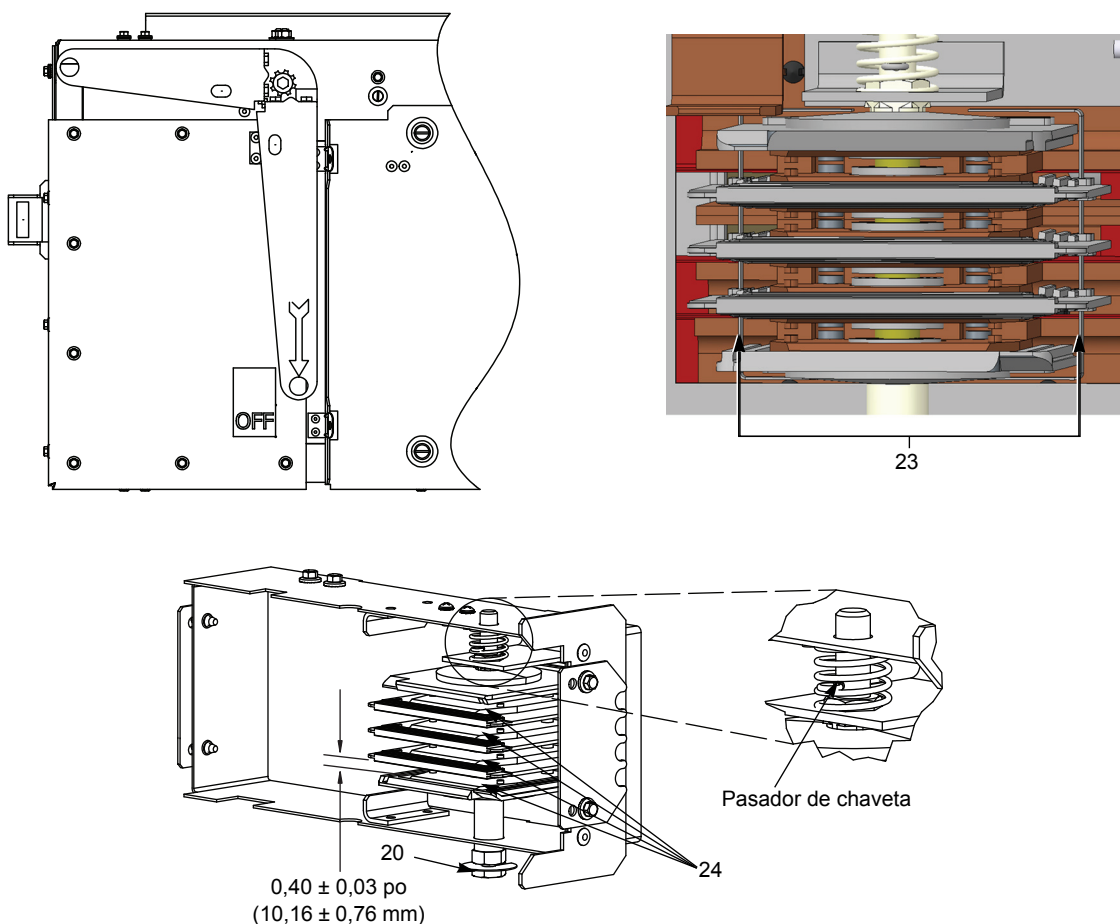
Instalación de la unidad enchufable en el electroducto y en el soporte de montaje vertical

Consulte la figura 20 y los pasos 1 y 2 para preparar la unidad enchufable para su instalación en el electroducto y en el soporte de montaje vertical.

1. Desconecte el suministro de alimentación de la unidad enchufable orientando la flecha en la palanca hacia **OFF (O)**.
2. Asegúrese de que los resortes de sujeción (22) estén presentes y ubicados como se muestra en la figura 20.
3. Verifique visualmente que haya lubricación de las placas del conector (24) y ajuste el tornillo (20) del conector hasta que el espacio entre las placas de cobre inferiores sea de $0,40 \pm 0,03$ pulg ($10,16 \pm 0,76$ mm).

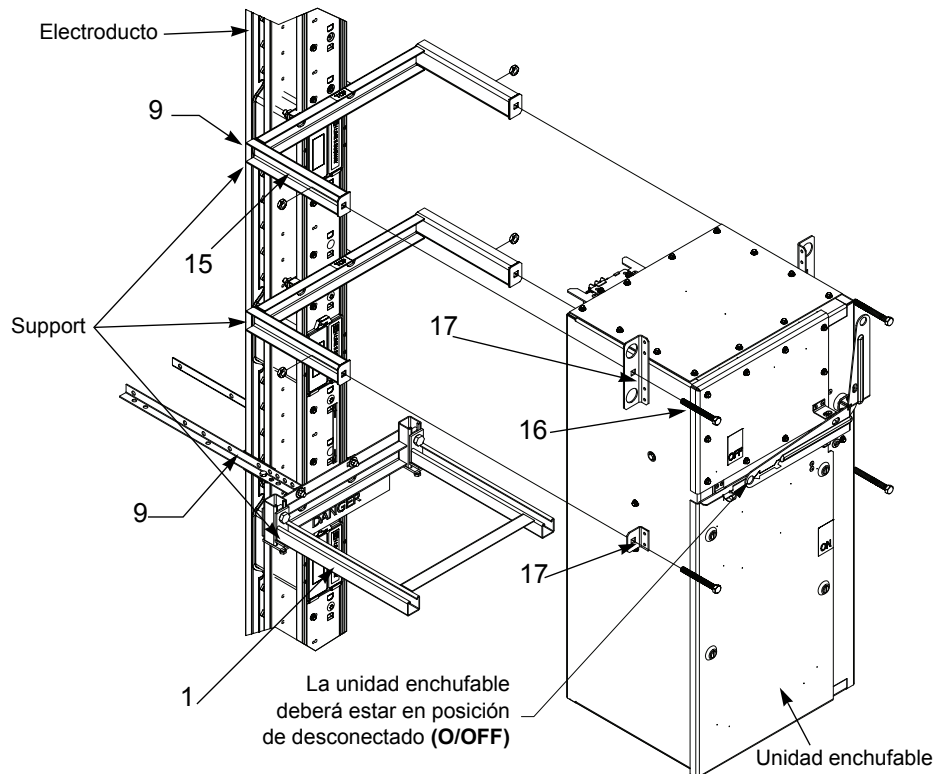
NOTA: La separación inferior se debe mantener para asegurar la correcta instalación y para evitar daños en el aislador durante la instalación.

Figura 20 – Preparación de la unidad enchufable para instalarla verticalmente



4. Según el tipo de electroducto (I-Line o I-Line II) y aberturas para la unidad enchufable utilizados, es posible que tenga que ajustar la posición de la barrera dentada. Consulte el paso 4 en la página 13 para obtener el ajuste correcto, en caso de ser necesario.
5. Retire las tuercas (15) de los tornillos de cabeza hexagonal (16) (figura 21). Coloque la unidad en el soporte inferior (1) de la soporte de montaje

Figura 21 – Montaje de la unidad enchufable vertical



6. Centre horizontalmente el soporte de alineación (21) en el electroducto. El soporte de alineación deberá acoplarse en cada lado del electroducto (figura 22).
7. Centre verticalmente el paso en el espacio para enchufar en el electroducto. Para ajustar la unidad enchufable hacia arriba o hacia abajo, desenrosque los tornillos de sujeción (18) dándoles una vuelta. Ajuste la unidad con los tornillos (19) y luego vuelva a apretar los tornillos de sujeción (18), figura 23.
8. Verifique visualmente la alineación de conexión correcta de las placas aisladoras de la unidad enchufable (22) (figura 22B de la página 25) y que la abertura del electroducto tenga espacio libre en ambos lados. Empuje la unidad y asegúrese de que el espacio libre se mantenga hasta que la unidad se detenga. Si se encuentra alguna resistencia, consulte las instrucciones de instalación del soporte en “Instalación del soporte de montaje vertical sobre el electroducto el electroducto” en la página 20 y consulte los pasos 1-7 en “Instalación de la unidad enchufable en el electroducto y en el soporte de montaje vertical” en la página 23.
9. Rosque los tornillos (16) por las ranuras en el soporte (17) de la unidad enchufable (figura 21 en la página 24) y por los agujeros en los ensambles del soporte de montaje superior y medio (9).
10. Enrosque las tuercas (15) en los pernos (16) y apriételas de manera alternada hasta que el soporte de alineación (17) quede montado a horcajadas en cada

lado del electroducto (figura 23 en la página 26 y figura 24 en la página 26).

NOTA: El par de apriete no debe exceder las 15 lb-ft (20 N•m).

Figura 22 – Ajuste horizontal de la unidad enchufable

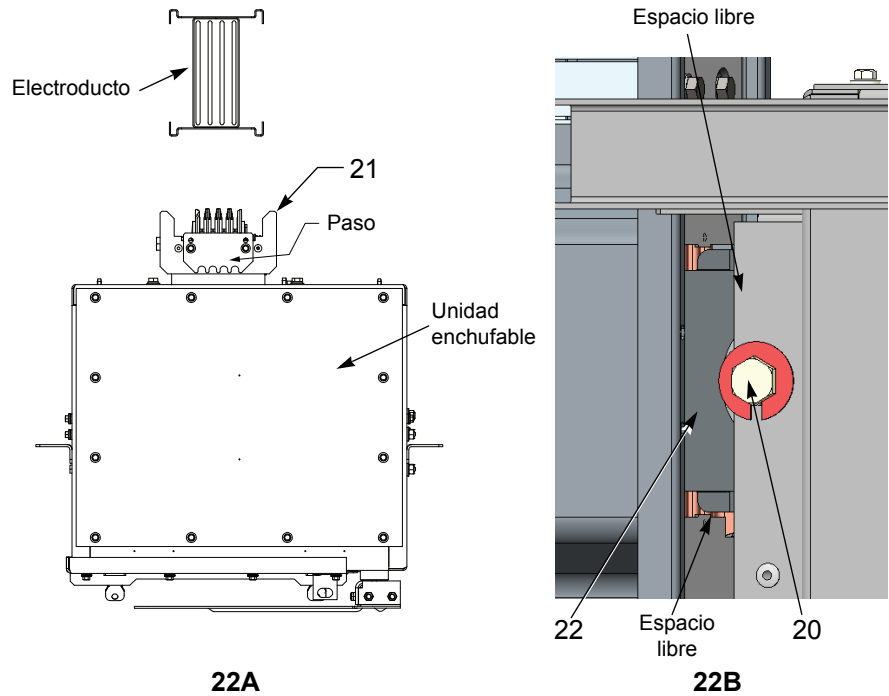
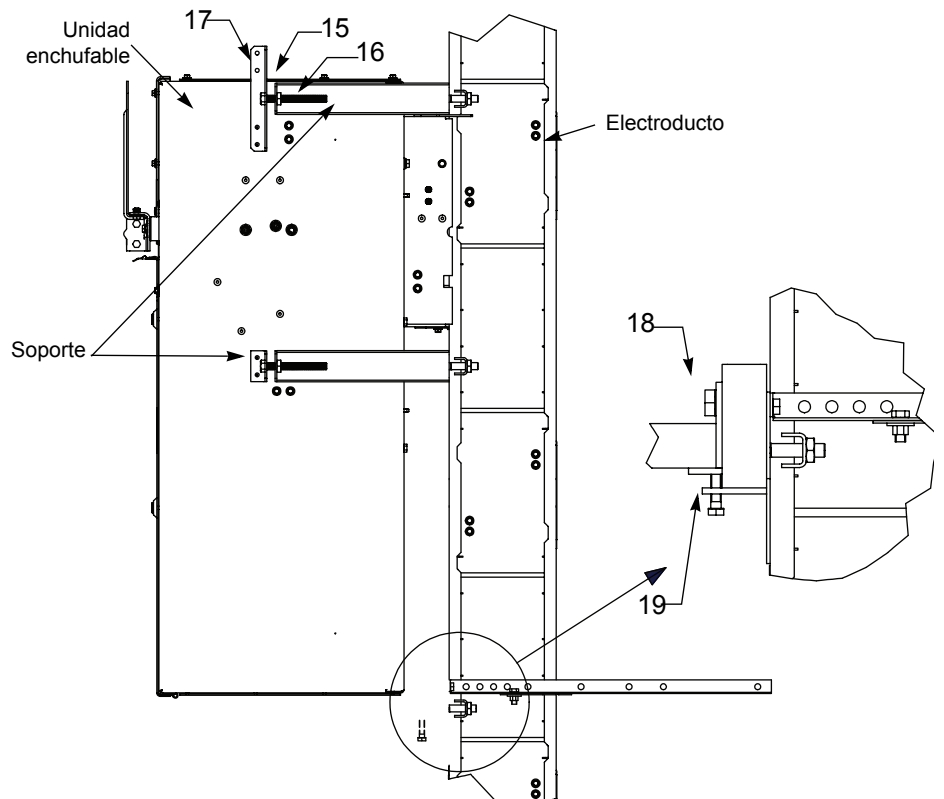
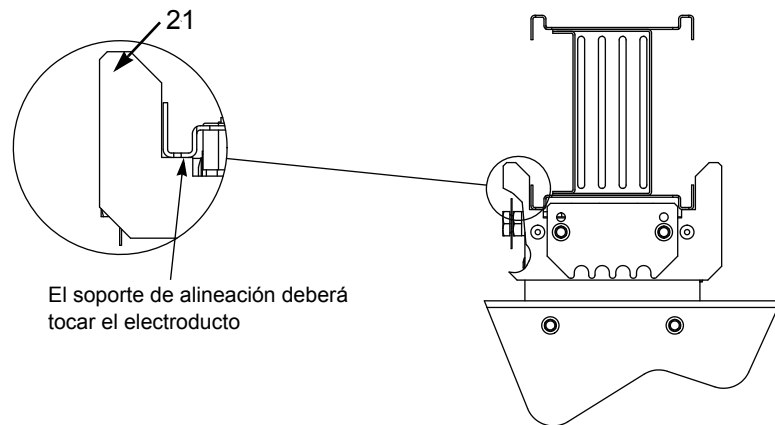


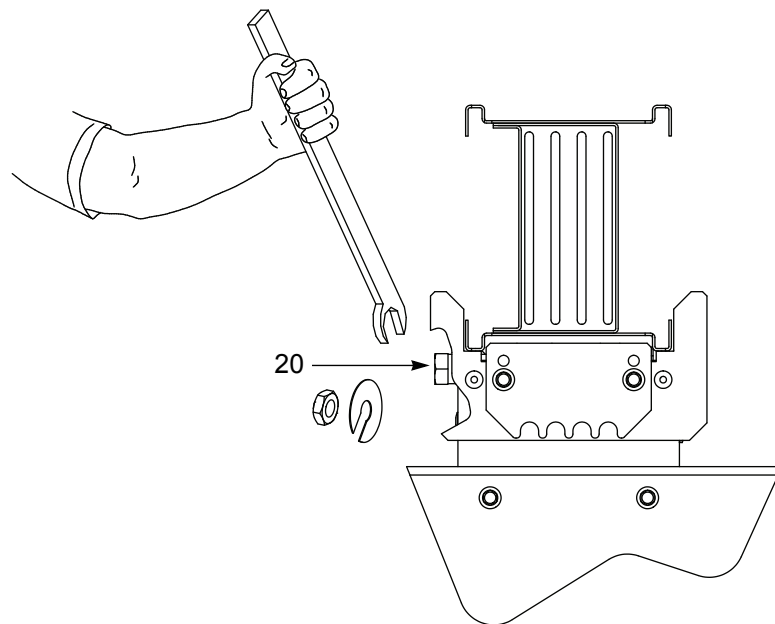
Figura 23 – Ajuste vertical de la unidad enchufable



ESPAÑOL

Figura 24 – Inserción de la unidad enchufable

11. Si se está instalando la unidad por primera vez, apriete el tornillo (20) del conector hasta desprender la cabeza externa. Si va a reubicar la unidad, apriete el tornillo del conector de 60 a 80 lbs-pie (81 a 108 N•m), figura 25.

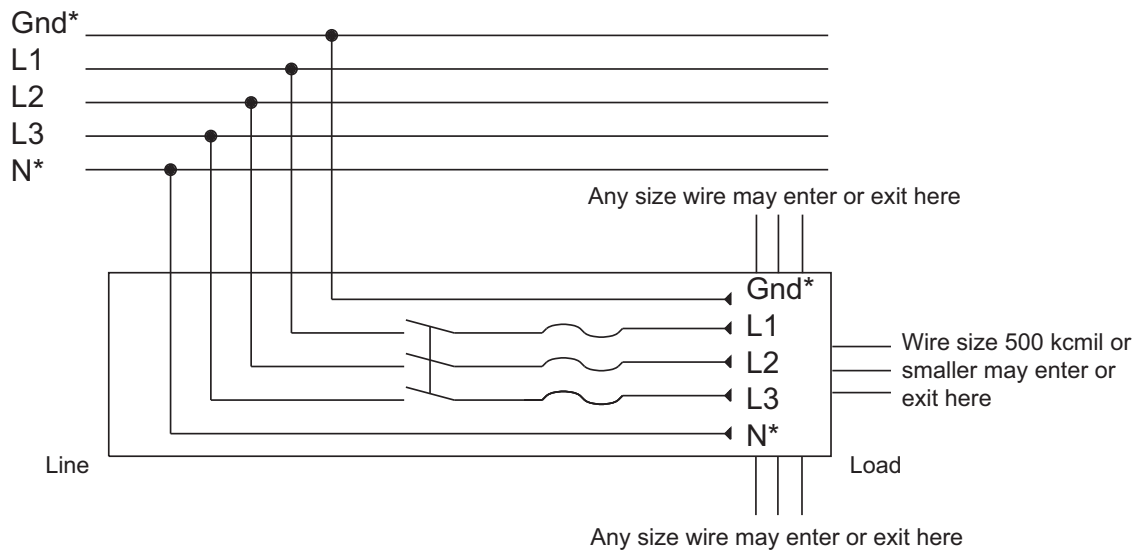
Figura 25 – Apriete de los herrajes de la conexión eléctrica

Prueba de continuidad antes de energizar el electroducto

1. Realice una prueba de continuidad a la unidad enchufable antes de energizar el electroducto y realizar las conexiones del lado de carga. Consulte la “Prueba de continuidad antes de energizar el electroducto” en la página 21.
2. Conecte los cables de la unidad enchufable. Consulte el “Diagrama de alambrado” en la página 30.

Diagrama de alambrado

Figura 26 – Diagrama de alambrado para aplicaciones estándar



*Where applicable

- Refer to Table 2 on page 29 or the lugs' markings for accepted wire sizes.
- Use copper or aluminum wire.
- Torque the wire binding screws of the phase and neutral lugs to 37 lb-ft (50 N•m).
- Torque the wire binding screws of the ground lugs to 23 lb-ft (31 N•m).
- Torque all fuse mounting screws to 25 lb-ft (34 N•m).

ESPAÑOL

Información de tamaño de conductor y zapata

Las zapatas son adecuadas para los conductores de Cu y Al en 75 °C.

Para obtener información adicional sobre las opciones de las zapatas, póngase en contacto con su representante local de Schneider Electric.

AVISO

DAÑOS POTENCIALES AL EQUIPO

No se permite realizar modificaciones en campo al gabinete (otras que no sean agujeros de entrada para cables), ya que esto puede afectar negativamente el funcionamiento del producto y la protección IP54.

El incumplimiento de estas instrucciones puede causar daño al equipo.

No se permite realizar modificaciones en campo al gabinete (otras que no sean agujeros de entrada para cables), ya que esto puede afectar negativamente el funcionamiento del producto.

Los cables deben ser aceptados/usados de acuerdo con los siguientes códigos (según el país de instalación)

- el código eléctrico nacional (NEC), NFPA 70,
- el código eléctrico canadiense, parte 1 (código CE, parte 1), o
- la norma mexicana para instalaciones eléctricas (compañía suministradora), NOM-001-SEDE.

Tabla 2 – Información de tamaño de conductor y zapata

Tipo de unidad	Intensidad de corriente (A)	Fase y neutro			Tierra		
		Cantidad de conductores	Tamaño de conductor para la zapata	Par de apriete de los tornillos de sujeción de cables	Cantidad de conductores	Tamaño de conductor para la zapata	Par de apriete de los tornillos de sujeción de cables
PTQ	800	3	3/0-500 kcmil	37 lbs-pie (50 N•m)	4	6-300 kcmil	23 lbs-pie (31 N•m)
	1 000	4					
	1 200						

Sección 6—Funcionamiento

⚠ PRECAUCIÓN

PELIGRO DE LESIONES PERSONALES Y DAÑO AL EQUIPO

- Nunca inserte los dedos por las ranuras de la caja del mecanismo.
- Al girar las palancas del mecanismo, asegúrese de que no haya obstrucciones; por ejemplo, partes del cuerpo en el camino de la palanca.

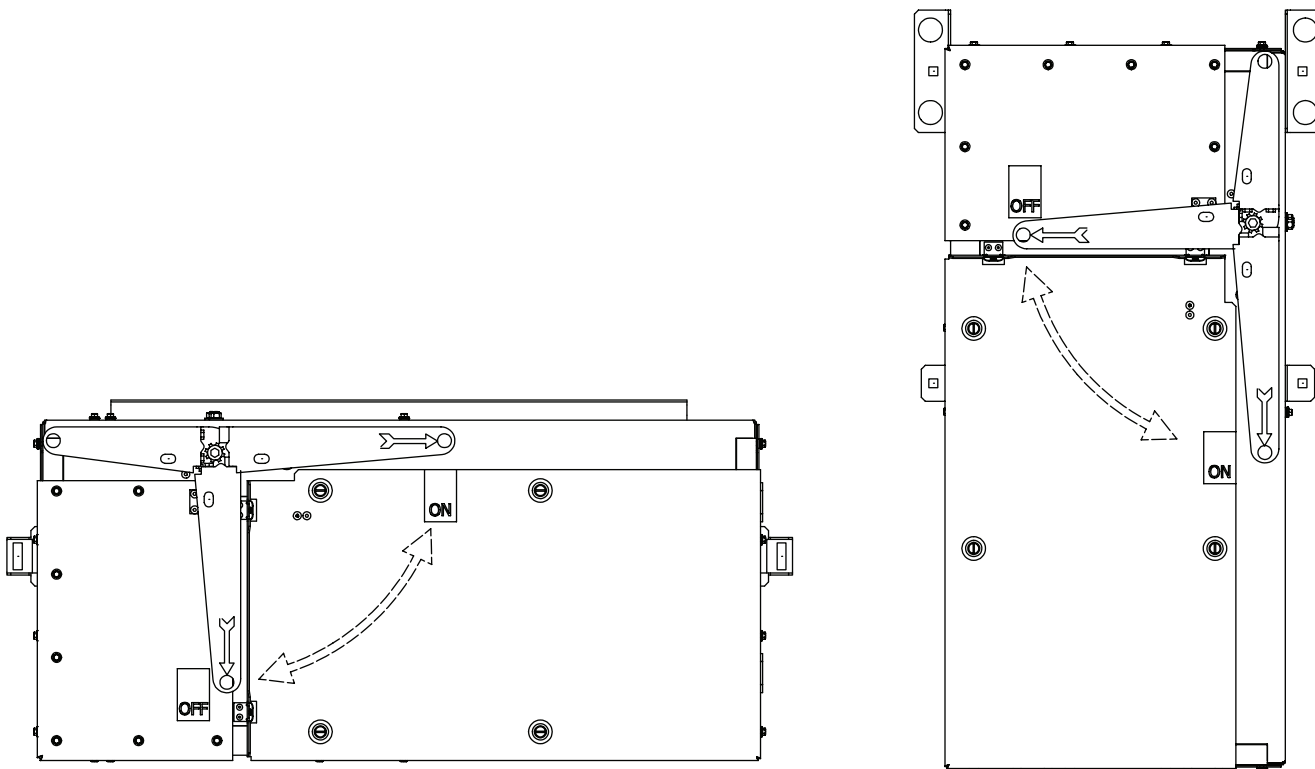
El incumplimiento de estas instrucciones puede causar lesiones personales y daño al equipo.

Palanca de la unidad enchufable en las posiciones de desconectado (O/OFF) y conectado (I/ON)

Haga funcionar la palanca de la unidad enchufable de manera rápida y constante (figura 26).

NOTA: Cuando la unidad enchufable no está montada a nivel del piso, mueva la palanca con una pértiga aislante. Consulte la sección “Accesorios y piezas de repuesto” en la página 41.

Figura 27 – Posiciones de conexión (I/ON) y desconexión (O/OFF) del desconectador de la unidad enchufable



Bloqueo de la palanca/puerta de la unidad enchufable con candado

Precauciones de seguridad para aplicaciones estándar

⚠ PELIGRO

PELIGRO DE DESCARGA ELÉCTRICA, EXPLOSIÓN O DESTELLO POR ARQUEO

- Utilice equipo de protección personal (EPP) apropiado y siga las prácticas de seguridad en trabajos eléctricos establecidas por su Compañía, consulte la norma 70E de NFPA o Z462 de CSA y NOM-029-STPS.
- Solamente el personal eléctrico calificado deberá instalar y prestar servicio de mantenimiento a esta unidad enchufable.
- Desenergice el electroducto antes de instalar la unidad enchufable en él.
- Siempre utilice un dispositivo detector de tensión de valor nominal adecuado en todas las conexiones de los lados de línea y carga para confirmar la desenergización del equipo.
- Con un candado, bloquee la palanca de la unidad enchufable en la posición de **desconectado (O/OFF)**.
- Siga todos los procedimientos de bloqueo y etiquetado necesarios.

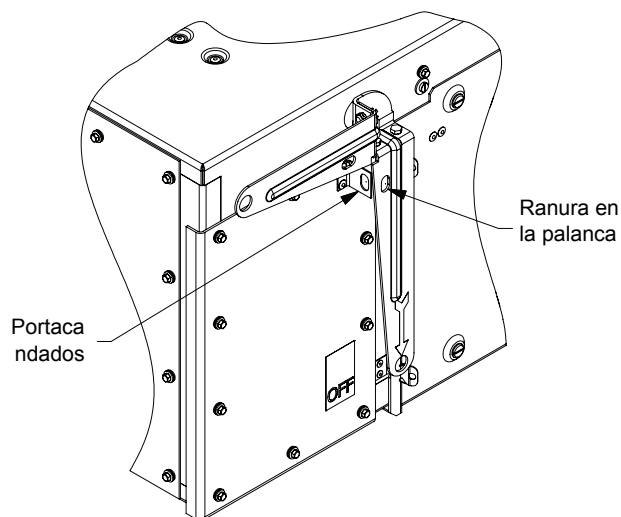
El incumplimiento de estas instrucciones podrá causar la muerte o lesiones serias.

Bloqueo de la palanca de la unidad enchufable con candado

Consulte la figura 28 y los pasos 1 y 2 para bloquear la palanca de la unidad enchufable con candado.

1. Coloque la palanca de la unidad enchufable en la posición de **desconectado (O/OFF)**.
2. Para colocar un candado en el mecanismo de la palanca en la posición de **desconectado (O/OFF)**, inserte un pestillo de seguridad o un candado con un gancho de 3/8 pulg (9 mm) de diámetro, como máximo, por la ranura en la palanca y en el portacandados.

Figura 28 – Bloqueo de la palanca de la unidad enchufable con un candado en la posición de desconectado (O/OFF)

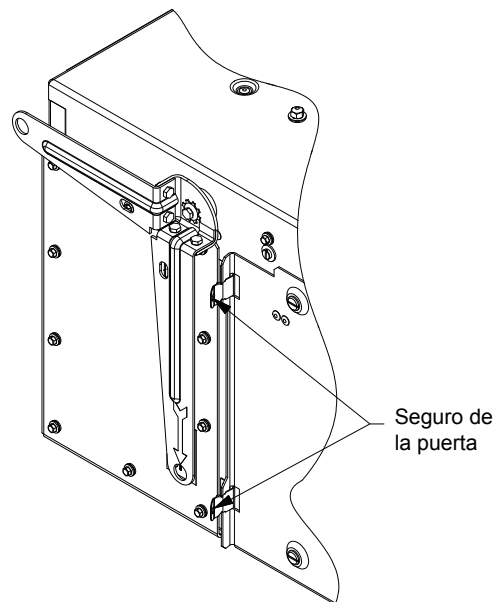


Bloqueo de la puerta de la unidad enchufable con un candado

Consulte la figura 29 y los pasos 1 y 2 para bloquear la puerta de la unidad enchufable con un candado.

1. Es posible cerrar la puerta de la unidad enchufable con un candado para evitar el acceso no autorizado al dispositivo. Use un candado con un gancho de 3/8 pulg (9 mm) de diámetro como máximo.
2. Pase el gancho del candado por los agujeros de cualquier seguro de la puerta.

Figura 29 – Bloqueo de la puerta de la unidad enchufable con un candado



Sección 7—Desmontaje de la unidad enchufable del electroducto

Precauciones de seguridad para aplicaciones estándar

PELIGRO

PELIGRO DE DESCARGA ELÉCTRICA, EXPLOSIÓN O DESTELLO POR ARQUEO

- Utilice equipo de protección personal (EPP) apropiado y siga las prácticas de seguridad en trabajos eléctricos establecidas por su Compañía, consulte la norma 70E de NFPA o Z462 de CSA y NOM-029-STPS.
- Solamente el personal eléctrico calificado deberá retirar y prestar servicio de mantenimiento a esta unidad enchufable.
- Desenergice el electroducto antes de retirar la unidad enchufable.
- Siempre utilice un dispositivo detector de tensión de valor nominal adecuado en todas las conexiones de los lados de línea y carga para confirmar la desenergización del equipo.
- Desenergice la unidad enchufable.
- No retire la unidad enchufable con la cubierta abierta o desmontada.

El incumplimiento de estas instrucciones podrá causar la muerte o lesiones serias.

1. Desenergice todas las fuentes de alimentación que suministran tensión a las conexiones de los lados de carga y línea en la unidad.
2. Coloque la unidad enchufable en la posición de **desconectado (O/OFF)**.
3. Abra la puerta de la unidad y desmonte el ensamble de base/puerta del pedazo del sujetador de gancho y bucle (anteriormente instalado) conectado en el interior de la unidad enchufable.
4. Desconecte los cables de la unidad enchufable.
5. Retire el tubo conduit y los acopladores del tubo.
6. Cierre la puerta de la unidad y sujétela con los cuatro tornillos del seguro de la puerta.
7. Retire la unidad enchufable del marco, y el marco del electroducto.
8. Instale el ensamble de base/puerta (que retiró en el paso 3) en el espacio para enchufar la unidad enchufable en el electroducto.

Sección 8—Servicio de mantenimiento general

Consulte el boletín BU1.1 de NEMA para obtener instrucciones sobre los servicios de mantenimiento. Realice una inspección de la unidad una vez por año y determine si hay acumulación significativa de polvo y líquidos.

Al cambiar la unidad enchufable de ubicación, realice una inspección visual del compuesto para juntas en las conexiones atornilladas, para ver si encuentra contaminación. Si es necesario, cambie el compuesto para juntas (número de pieza PJC7201).

Si desea obtener accesorios y piezas de repuesto, consulte “Accesorios y piezas de repuesto” en la página 41 o póngase en contacto con su representante local de Schneider Electric.

Sección 9—Accesorios y piezas de repuesto

Tabla 3 – Accesorios y piezas de repuesto

Descripción	Número de catálogo
Ensamble del soporte horizontal	45225-524-50
Ensamble del soporte vertical	45225-515-50
Pértiga aislante de 8 pies (2,4 m)	515608
Pértiga aislante de 14 pies (4,3 m)	515614
Compuesto para juntas	PJC7201
Etiqueta del soporte de montaje vertical	45123-897-08

ESPAÑOL

Importado en México por:
Schneider Electric México, S.A. de C.V.
Av. Ejercito Nacional No. 904
Col. Palmas, Polanco 11560 México, D.F.
55-5804-5000
www.schneider-electric.com.mx

Normas, especificaciones y diseños pueden cambiar, por lo tanto pida confirmación de que la información de esta publicación está actualizada.

Todas las marcas comerciales son propiedad de Schneider Electric SE, sus filiales y compañías afiliadas.

© 2013–2018 Schneider Electric Reservados todos los derechos

45225-499-01B, 05/2018
Reemplaza 45225-499-01A, 07/2017

Unités enfilables I-Line^{MC}

PTQ (interrupteur à fusible de 800 à 1 200 A)

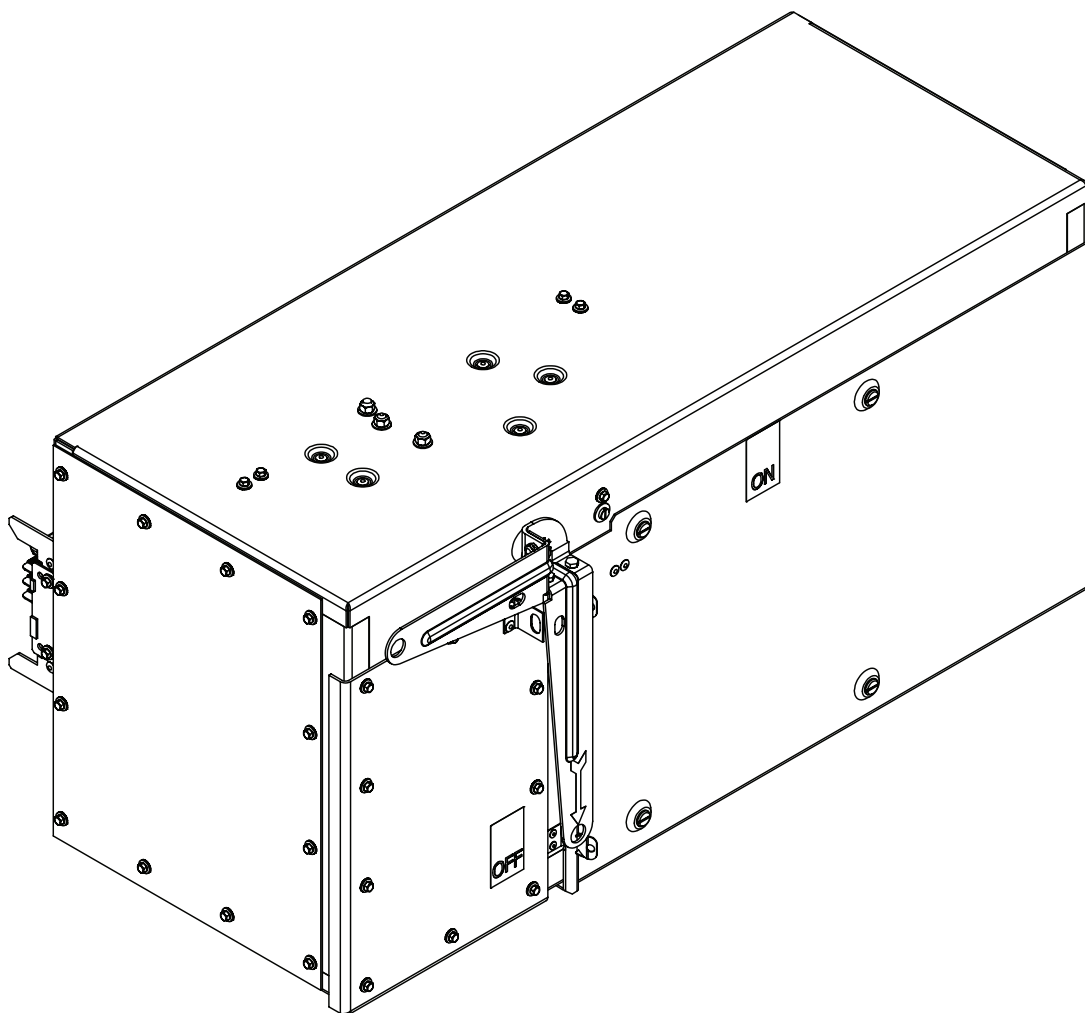
Classe 5630

Directives d'utilisation

45225-499-01A

07/2017

À conserver pour usage ultérieur.



FRANÇAIS



by Schneider Electric

Catégories de dangers et symboles spéciaux

Lisez attentivement ces directives et examinez l'appareillage pour vous familiariser avec son fonctionnement avant de faire son installation ou son entretien. Les messages spéciaux suivants peuvent apparaître dans les présentes directives ou sur l'appareil pour avertir l'utilisateur de dangers potentiels ou pour attirer l'attention sur des informations qui clarifient ou simplifient une procédure.



L'ajout d'un de ces deux symboles à une étiquette de sécurité de « Danger » ou d'« Avertissement » indique qu'un danger électrique existe et qu'il peut entraîner des blessures corporelles si les directives ne sont pas respectées.



Ceci est le symbole d'alerte de sécurité. Il est utilisé pour vous alerter de dangers de blessures corporelles potentielles. Veuillez vous conformer à tous les messages de sécurité qui suivent ce symbole pour éviter une blessure ou la mort.

⚠ DANGER

DANGER indique une situation de danger imminent qui, si elle n'est pas évitée **entraînera** la mort ou des blessures graves.

⚠ AVERTISSEMENT

AVERTISSEMENT indique une situation de danger potentiel qui, si elle n'est pas évitée, **peut entraîner** la mort ou des blessures graves.

⚠ ATTENTION

ATTENTION indique une situation de danger potentiel qui, si elle n'est pas évitée, **peut entraîner** des blessures mineures ou modérées.

AVIS

AVIS est utilisé pour commenter des pratiques sans rapport avec les blessures physiques. Le symbole d'alerte de sécurité n'est pas employé avec ce mot de signalement.

REMARQUE : Fournit des renseignements complémentaires pour clarifier ou simplifier une procédure.

Veillez noter

Seul un personnel qualifié doit effectuer l'installation, l'utilisation, l'entretien et la maintenance du matériel électrique. Schneider Electric n'assume aucune responsabilité des conséquences éventuelles découlant de l'utilisation de cette documentation.

Une personne qualifiée est une personne disposant de compétences et de connaissances dans le domaine de la construction et du fonctionnement des équipements électriques et installations et ayant bénéficié d'une formation de sécurité afin de reconnaître et d'éviter les risques encourus.

Table des matières

Section 1—Introduction	5
Section 2—Mesures de sécurité	5
Précautions pour une application standard	5
Section 3—Réception, manutention et entreposage	6
Réception	6
Manutention	6
Entreposage	7
Section 4—Valeurs nominales d'interruption des unités enfichables....	8
Valeurs nominales	8
Section 5—Installation de l'unité enfichable sur la canalisation préfabriquée	8
Précautions pour une application standard	8
Essai avant installation	9
Préparation de la canalisation préfabriquée avant l'installation du support de montage et de l'unité enfichable	10
Installation du support pour montage horizontal sur la canalisation préfabriquée	11
Installation de l'unité enfichable sur la canalisation préfabriquée et sur le support pour montage horizontal	12
Essai de continuité avant la mise sous tension de la canalisation préfabriquée	17
Instructions de montage vertical	19
Préparation de la canalisation préfabriquée avant l'installation du support de montage et de l'unité enfichable	19
Installation du support pour montage vertical sur la canalisation préfabriquée	20
Installation de l'unité enfichable sur la canalisation préfabriquée et le support pour montage vertical	23
Essai de continuité avant la mise sous tension de la canalisation préfabriquée	27
Schéma de câblage	28
Informations sur la taille des cosses et le calibre des fils	29
Section 6—Fonctionnement.....	30
Mise de l'interrupteur de l'unité enfichable en position de marche (I) et d'arrêt (O)	30
Cadenassage de la porte/manette de l'unité enfichable	31
Précautions pour une application standard	31
Cadenassage de la manette de l'unité enfichable	31
Cadenassage de la porte de l'unité enfichable	32
Section 7—Retrait de l'unité enfichable de la canalisation préfabriquée	33
Précautions pour une application standard	33

Section 8—Entretien général	34
Section 9—Accessoires et pièces de rechange	34

Liste des figures

Figure 1 – Levage de l'appareil à l'aide d'une grue	7
Figure 2 – Essai avant installation, unités enfichables installées horizontalement	9
Figure 3 – Essai avant installation, unités enfichables installées verticalement ..	9
Figure 4 – Préparation de la canalisation préfabriquée avant l'installation du support de montage et de l'unité enfichable	10
Figure 5 – Installation du support pour montage horizontal sur la canalisation préfabriquée	11
Figure 6 – Préparation de l'unité enfichable pour son installation horizontale ...	12
Figure 7 – Cloisons échancrées de droite et de gauche aux emplacements d'usine	13
Figure 8 – A. Ouverture d'enfichage sur la gauche de la jonction de la canalisation préfabriquée B. Cloison échancrée du côté droit installée à l'aide des trous ronds	13
Figure 9 – A. Canalisation préfabriquée I-Line (boîtier ondulé) B. Les deux cloisons échancrées installées à l'aide des trous oblongs (cloison de droite représentée)	14
Figure 10 – Emplacement du support d'alignement	14
Figure 11 – Ajustement vertical de l'unité enfichable	15
Figure 12 – Ajustement horizontal de l'unité enfichable	16
Figure 13 – Fixation de l'unité enfichable à la canalisation préfabriquée	16
Figure 14 – Serrage du raccordement électrique	17
Figure 15 – Tourner les vis et la vis d'interverrouillage de la porte	18
Figure 16 – Préparation de la canalisation préfabriquée avant l'installation du support de montage et de l'unité enfichable	19
Figure 17 – Mise en place de l'étiquette d'alignement du support pour montage vertical	20
Figure 18 – Assemblage du support inférieur pour montage vertical	22
Figure 19 – Assemblage des supports supérieur et central pour montage vertical ...	23
Figure 20 – Préparation de l'unité enfichable à l'installation verticale	24
Figure 21 – Montage de l'unité enfichable verticale	25
Figure 22 – Ajustement horizontal de l'unité enfichable	26
Figure 23 – Ajustement vertical de l'unité enfichable	26
Figure 24 – Insertion de l'unité enfichable	27
Figure 25 – Serrage du raccordement électrique	27
Figure 26 – Schéma de câblage pour une application standard	28
Figure 27 – Mise de l'interrupteur de l'unité enfichable en position de marche (I) et d'arrêt (O)	30
Figure 28 – Cadenassage de la manette de l'unité enfichable à la position d'arrêt (O)	31
Figure 29 – Cadenassage de la porte de l'unité enfichable	32

Liste des tableaux

Tableau 1 – Valeurs nominales d'interruption des unités enfichables avec interrupteur à fusibles PTQ.....	8
Tableau 2 – Informations sur la taille des cosses et le calibre des fils	29
Tableau 3 – Accessoires et pièces de rechange	34

Section 1—Introduction

Ce bulletin contient les directives pour la manutention, l'entreposage, l'installation, le fonctionnement et l'entretien des unités enfichables I-Line^{MC} PTQ (interrupteur à fusible de 800 à 1200 A) de la marque Square D^{MC} fabriquées par Schneider Electric. Le personnel de supervision des services d'ingénierie, d'installation et d'utilisation de l'acheteur doit prendre connaissance de ce manuel et devenir familier avec l'apparence et les caractéristiques de ces appareils. Lire et comprendre totalement ces directives d'utilisation avant d'entreprendre l'installation, l'entretien de ces produits ainsi que leur utilisation.

Section 2—Mesures de sécurité

Précautions pour une application standard

⚠ DANGER

RISQUE D'ÉLECTROCUTION, D'EXPLOSION OU ÉCLAIR D'ARC ÉLECTRIQUE

- Portez un équipement de protection personnelle (ÉPP) approprié et observez les méthodes de travail électrique sécuritaire. Voir NFPA 70E ou CSA Z462.
- Seul un personnel qualifié doit effectuer l'installation et l'entretien de cette unité enfichable.
- Suivez les directives inscrites sur les étiquettes de sécurité sur l'appareil et à l'intérieur des présentes directives.
- Mettez la canalisation préfabriquée hors tension avant d'installer ou d'enlever l'unité enfichable.
- Utilisez toujours un dispositif de détection de tension à valeur nominale appropriée sur tous les raccordements du côté ligne et charge pour s'assurer que toute l'alimentation est coupée.
- N'installez pas l'unité enfichable sur la canalisation préfabriquée en cuivre I-Line II de 800 A.
- N'installez, ne manœuvrez ou ne retirez pas l'unité enfichable si le couvercle est ouvert ou enlevé.
- Installez uniquement un dispositif à 3 pôles sur une canalisation à 3 pôles. Installez uniquement un dispositif à 4 pôles sur une canalisation à 4 pôles. Installez le dispositif uniquement sur une canalisation avec le suffixe « G » dans le numéro de référence du catalogue.
- Utilisez un vérificateur de continuité ou un mégohmmètre de 1 000 Vcc maximum pour vérifier l'isolation entre phases, phase à neutre et à la terre.
- Mettez la canalisation préfabriquée hors tension avant de travailler sur le côté ligne de l'unité enfichable.
- Mettez la canalisation préfabriquée hors tension avant d'ouvrir ou de travailler à l'intérieur de l'armoire.
- Avant de fermer la porte ou de replacer le mécanisme-couvercle, inspectez soigneusement l'espace autour de l'interrupteur pour vous assurer qu'aucun outil ou objet n'a été laissé à l'intérieur de l'appareil.

Si ces directives ne sont pas respectées, cela entraînera la mort ou des blessures graves.

Section 3—Réception, manutention et entreposage

Réception

À la réception, comparer le bordereau d'envoi avec l'appareil reçu afin de vérifier si la commande et les envois sont complets. Les réclamations pour les pièces manquantes ou les erreurs doivent être soumises par écrit à Schneider Electric dans les 60 jours à compter de la date de livraison. Le fait de ne pas faire cette notification constitue une acceptation sans condition et une renonciation à toutes plaintes par l'acheteur.

Inspecter immédiatement l'appareil afin de voir s'il a subi des dommages pendant son transport. Si des dommages sont découverts ou soupçonnés, faire une réclamation à remettre immédiatement au transporteur et en informer Schneider Electric. La remise de matériel au transporteur à n'importe quelle usine ou autre point d'expédition de Schneider Electric constitue une livraison à l'acheteur sans considération du paiement ou du titre de propriété du chargement. Tout risque de perte ou de dommage passe à l'acheteur dès cet instant.

Pour des détails au sujet des plaintes pour des pièces manquantes et autres erreurs, se reporter à « Modalités de ventes » de Schneider Electric.

Manutention

⚠ ATTENTION

EXIGENCES DE MANIPULATION SPÉCIALES

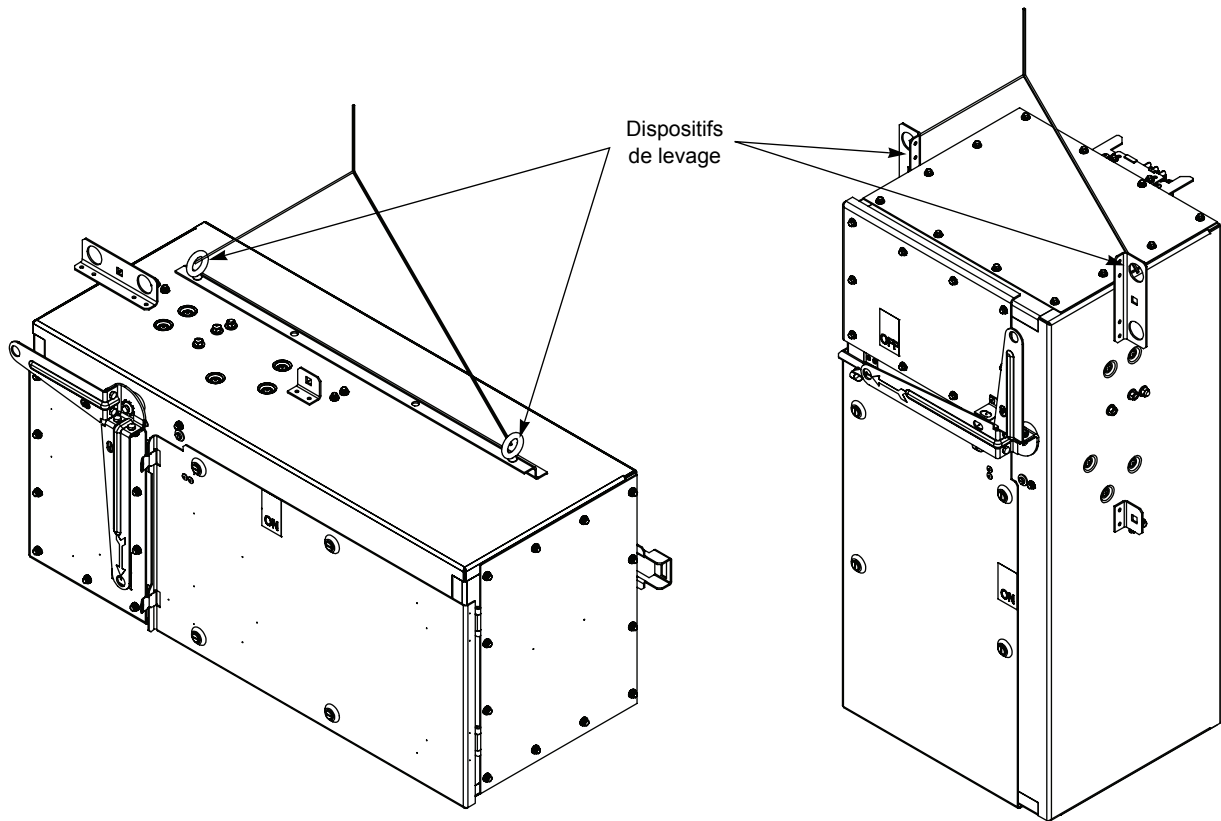
Utilisez toujours les moyens de levage fournis pour déballer, déplacer, soulever et installer l'unité enfichable sur son support.

Si ces directives ne sont pas respectées, cela peut entraîner des blessures ou des dommages matériels.

Toute manutention des unités enfichables doit être effectuée avec soin afin d'éviter d'endommager les composants internes, l'armoire ou son fini. Éviter de tordre, de cabosser ou de laisser tomber les unités enfichables et, d'une façon générale, toute manipulation brutale. Utiliser un tire-clous pour ouvrir les caisses en bois. S'assurer que l'appareil de manutention du site d'installation est adéquat pour manipuler l'unité enfichable. Vérifier les capacités de levage de la grue ou autre appareil de manutention disponible. Se reporter au manuel approprié sur les systèmes de canalisations préfabriquées 45225-499-01 pour trouver les poids des unités enfichables.

En cas de levage de l'unité enfichable à l'aide d'une grue, utiliser des boulons à œillet (non fournis) dans l'entretoise sur le dessus des unités enfichables horizontales ou les supports de levage des unités enfichables verticales (voir la figure 1 à la page 7). En cas d'utilisation d'un chariot élévateur, positionner l'unité enfichable sur le chariot de telle façon que le poids soit réparti correctement. Faire attention de ne pas endommager l'enveloppe métallique. Pour lever l'unité enfichable, éviter d'utiliser des objets aux bords coupants. Ne jamais faire glisser l'unité enfichable.

Figure 1 – Levage de l'appareil à l'aide d'une grue



Entreposage

AVIS

CONTAMINATION POSSIBLE DE L'APPAREIL

- Entrez l'appareil dans un endroit propre et sec.
- Protégez l'appareil des produits contaminants tels que l'eau, le sel, le béton et autres éléments corrosifs.

Si ces directives ne sont pas respectées, cela peut entraîner des dommages matériels.

Si l'unité enfichable n'est pas immédiatement installée et mise sous tension, l'entreposer dans un endroit propre et sec maintenu à une température constante. Protégez l'unité des produits contaminants tels que l'eau, le sel, le béton et autres éléments corrosifs.

Section 4—Valeurs nominales d'interruption des unités enfichables

Valeurs nominales

Tableau 1 – Valeurs nominales d'interruption des unités enfichables avec interrupteur à fusibles PTQ

Préfixe du n° de catalogue de l'unité enfichable	Intensité nominale de l'unité enfichable ¹	Valeur nominale d'interruption ²		Valeur nominale max.	
		A (kA) RMS symétriques	Volts (ca)	A	Volts (ca)
PTQ	800–1200	100	240 480 600	1200	600

¹ Voir la plaque signalétique à l'extérieur du dispositif pour l'intensité nominale de l'unité.

² En utilisant fusibles classe L.

Section 5—Installation de l'unité enfichable sur la canalisation préfabriquée

Précautions pour une application standard

⚠ DANGER

RISQUE D'ÉLECTROCUTION, D'EXPLOSION OU ÉCLAIR D'ARC ÉLECTRIQUE

- Portez un équipement de protection personnelle (ÉPP) approprié et observez les méthodes de travail électrique sécuritaire. Voir NFPA 70E ou CSA Z462.
- Seul un personnel qualifié doit effectuer l'installation et l'entretien de cette unité enfichable.
- Mettez la canalisation préfabriquée hors tension avant d'installer l'unité enfichable sur la canalisation.
- Utilisez toujours un dispositif de détection de tension à valeur nominale appropriée sur tous les raccordements du côté ligne et charge pour s'assurer que toute l'alimentation est coupée.
- Mettez l'unité enfichable hors tension.
- N'installez pas l'unité enfichable sur la canalisation préfabriquée en cuivre I-Line II de 800 A.
- N'installez pas l'unité enfichable si le couvercle est ouvert ou enlevé.
- Installez uniquement un dispositif à 3 pôles sur une canalisation à 3 pôles. Installez uniquement un dispositif à 4 pôles sur une canalisation à 4 pôles. Installez le dispositif uniquement sur une canalisation avec le suffixe « G » dans le numéro de référence du catalogue.
- Utilisez un vérificateur de continuité ou un mégohmmètre de 1 000 Vcc maximum pour vérifier l'isolation entre phases, phase à neutre et à la terre.

Si ces directives ne sont pas respectées, cela entraînera la mort ou des blessures graves.

Essai avant installation

Se reporter à « Fonctionnement » à la page 33 pour y trouver les informations détaillant le fonctionnement de cet appareil.

1. Avant d'installer l'unité enfichable sur la canalisation préfabriquée, s'assurer que la porte de l'unité enfichable est fermée.
2. Amener la manette de l'unité enfichable à la position de **marche (I)** (figures 2 et 3).
3. Utiliser un vérificateur de continuité ou un mégohmmètre de 1 000 Vcc maximum pour vérifier l'isolation entre phases, phase à neutre et à la terre.
4. Amener les manettes de l'unité enfichable à la position d'**arrêt (O)** (figures 2 et 3).

Figure 2 – Essai avant installation, unités enfichables installées horizontalement

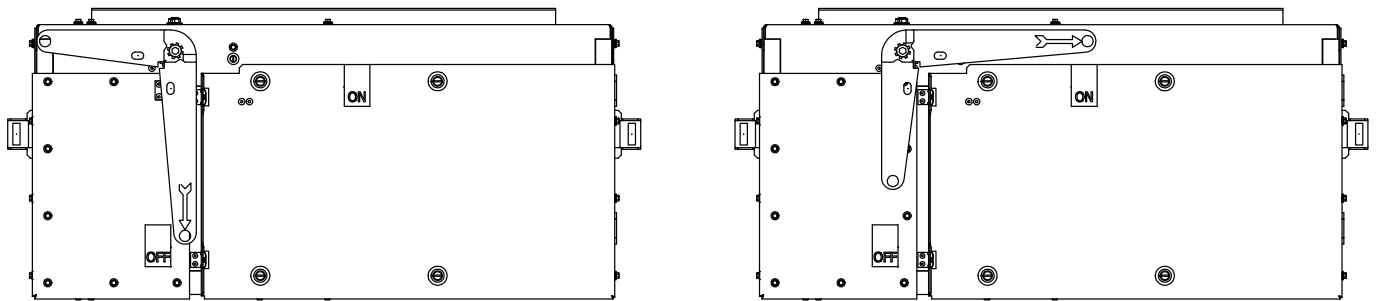
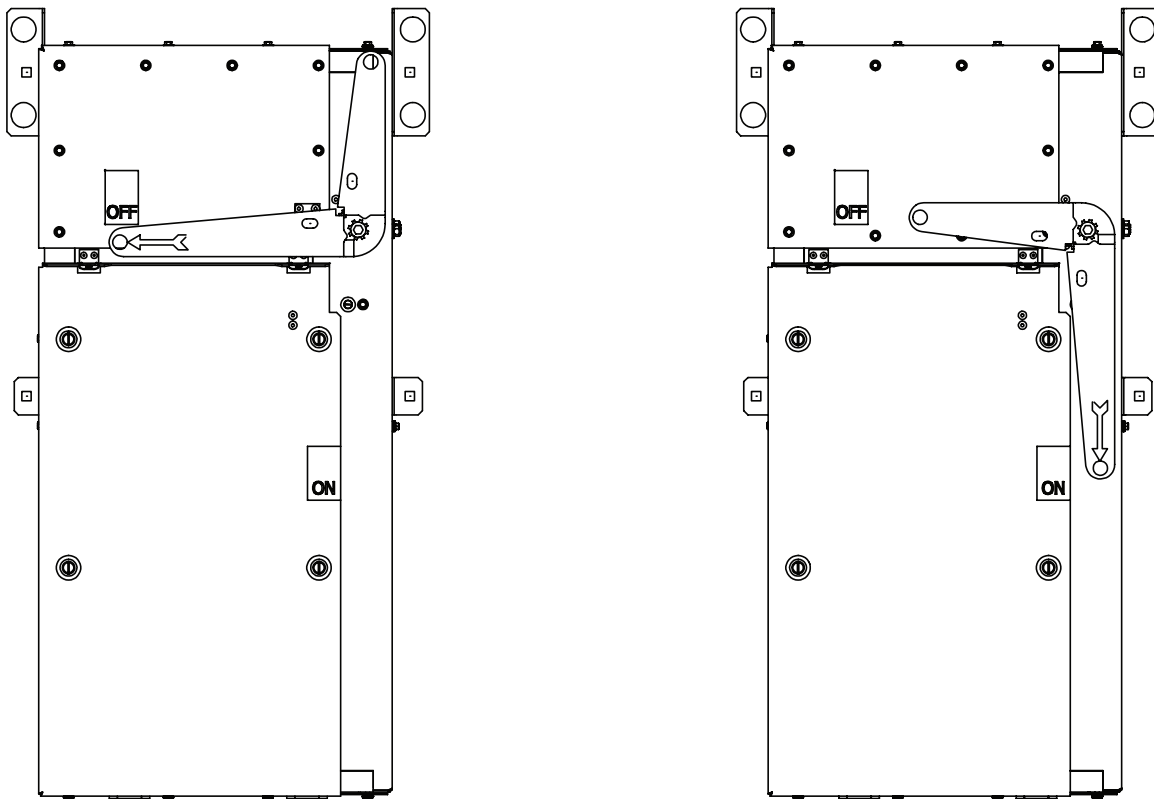


Figure 3 – Essai avant installation, unités enfichables installées verticalement



Directives pour l'installation horizontale

REMARQUE : Se reporter aux mesures de sécurité au début de la section « Précautions pour une application standard » à la page 13 avant d'installer l'unité enfichable sur la canalisation préfabriquée.

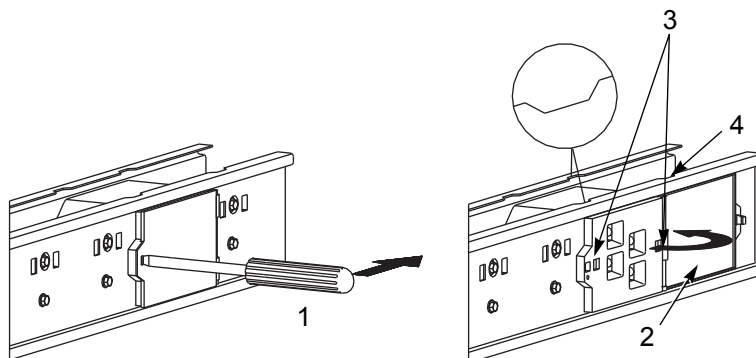
Pour assurer des bons raccordements électriques à la canalisation préfabriquée, les mâchoires de l'unité enfichable sont revêtues d'une pâte à joint anti-oxydation. **Ne pas retirer cette pâte.** Si la pâte devient contaminée, commander de la pâte de rechange (numéro de pièce PJC7201) chez votre distributeur local de Schneider Electric.

Préparation de la canalisation préfabriquée avant l'installation du support de montage et de l'unité enfichable

Se reporter à la figure 4 et aux points 1 à 9 pour préparer la canalisation préfabriquée avant d'installer le support de montage et l'unité enfichable.

1. Mettre la canalisation préfabriquée hors tension.
2. Insérer un tournevis à tête plate (1) dans la fente de la porte et libérer le verrou de la porte.
3. Faire pivoter la porte (2) complètement.
4. Desserrer et retirer les deux vis de montage (3) qui maintiennent la base. Ne pas jeter les vis. Retirer l'ensemble base/porte.
5. Pour garder la quincaillerie, placer les deux vis de montage dans leur trous de montage dans la base et fermer la porte.
6. À l'intérieur de l'unité enfichable, on trouve des sections d'attache à crochet et boucle. Enlever la protection en papier de la partie non attachée à l'armoire et poser cette dernière sur la surface plate de la porte de l'ensemble base/porte enlevé au point 4.
7. Appuyer l'ensemble base/porte entier contre la partie de l'attache à crochet et boucle fixée à l'armoire afin de le conserver pour un usage ultérieur.
8. Fermer la porte de l'unité enfichable.
9. Localiser le cran de montage (4) sur le dessus du rail de la canalisation préfabriquée, au-dessus du côté droit des ouvertures d'enfichage de la canalisation préfabriquée. Ce cran de montage permet de positionner correctement le support de montage sur la canalisation préfabriquée.

Figure 4 – Préparation de la canalisation préfabriquée avant l'installation du support de montage et de l'unité enfichable



Installation du support pour montage horizontal sur la canalisation préfabriquée

Se reporter à la figure 5 et aux points 1 à 7 pour installer le support pour montage horizontal sur la canalisation préfabriquée.

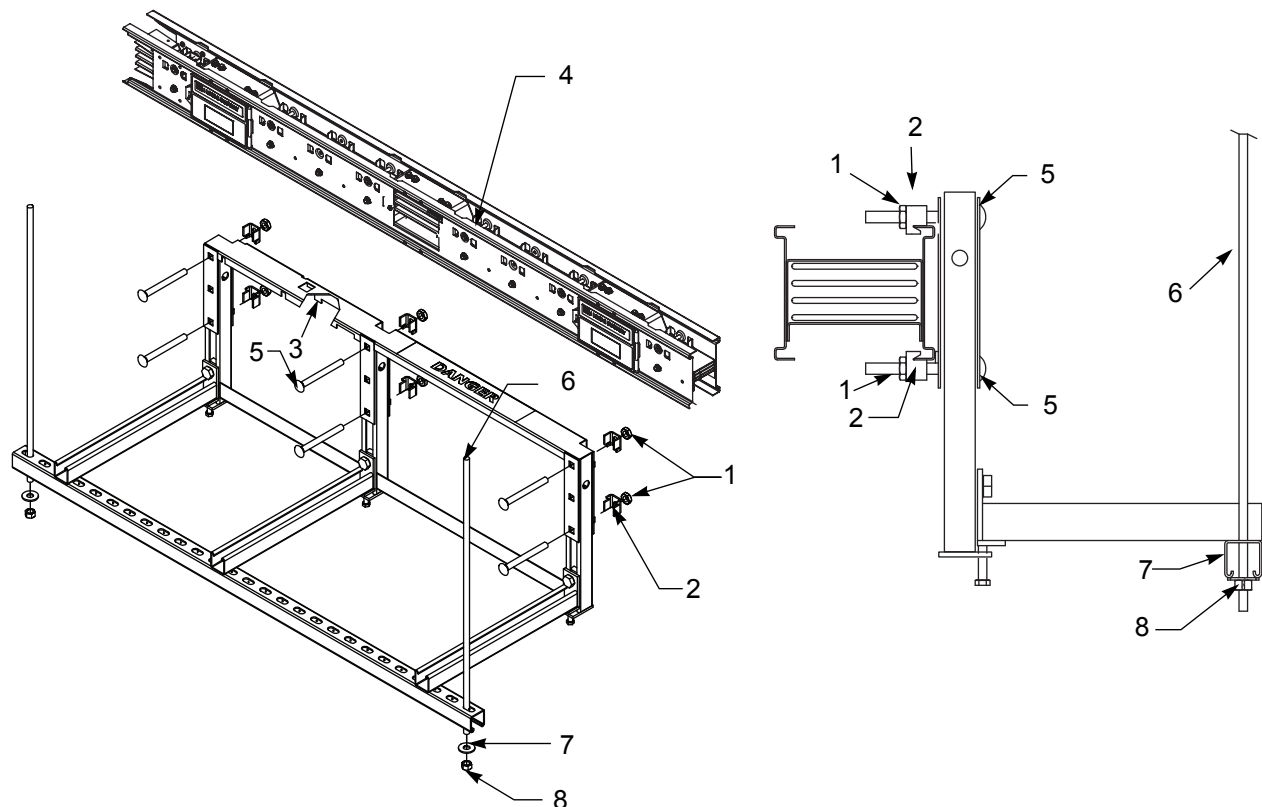
1. Dévisser les écrous (1).
2. Retirer les brides en U (2).
3. Positionner la languette du support (3) dans le cran de montage de la canalisation préfabriquée (4) repéré au point 9 de la page 10.
4. Placer les brides en U (2) sur les boulons (5). S'assurer que le cran de chaque bride en U s'engage dans le rebord de la canalisation préfabriquée.
5. Visser les écrous (1) sur les boulons (5). Serrer les écrous au couple de serrage de 125 à 150 lb-po (14 à 17 N•m).
6. Positionner les deux tiges filetées (6) dans les trous extérieurs du support. Attacher les deux tiges filetées à la structure du bâtiment.

REMARQUE : Les tiges filetées ne sont pas fournies.

7. Placer les rondelles (7) et visser les écrous (8) sur les tiges filetées. S'assurer que la plate-forme du support est de niveau et perpendiculaire à la face de la canalisation préfabriquée.

REMARQUE : Les rondelles et écrous ne sont pas fournis.

Figure 5 – Installation du support pour montage horizontal sur la canalisation préfabriquée



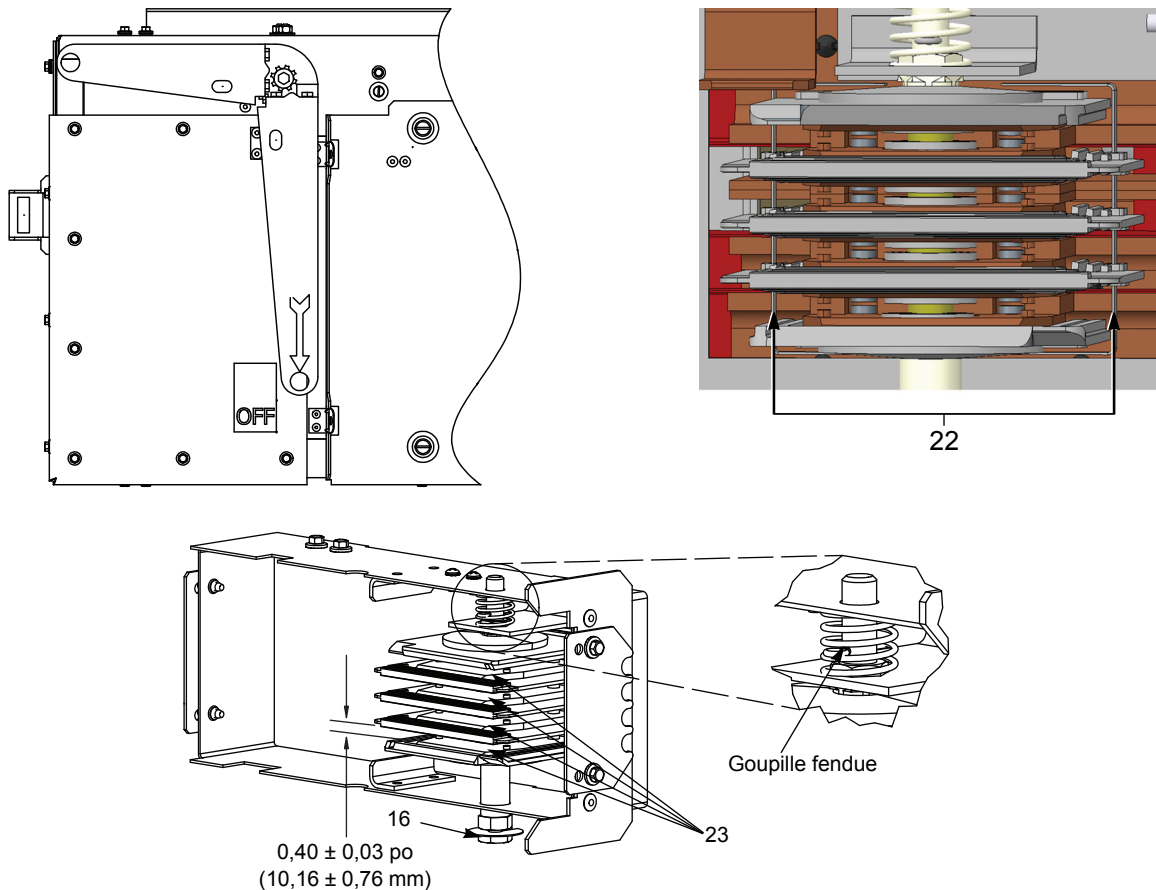
Installation de l'unité enfichable sur la canalisation préfabriquée et sur le support pour montage horizontal

Se reporter à la figure 6 et aux points 1 et 2 pour préparer l'unité enfichable pour son installation sur la canalisation préfabriquée et le support pour montage horizontal.

1. Mettre l'unité enfichable hors tension en pointant la flèche de la manette sur **arrêt (O)**.
2. S'assurer que les ressorts de retenue (22) sont présents et placés comme montrés dans la figure 6.
3. Vérifier visuellement si les plaques de raccord (23) sont lubrifiées et ajuster le boulon du connecteur (16) jusqu'à ce que l'écart entre les plaques de cuivre inférieures soit de $0,40 \pm 0,03$ po ($10,16 \pm 0,76$ mm).

REMARQUE : Le dégagement inférieur doit être maintenu pour assurer une installation appropriée et éviter l'endommagement de l'isolateur pendant l'installation.

Figure 6 – Préparation de l'unité enfichable pour son installation horizontale

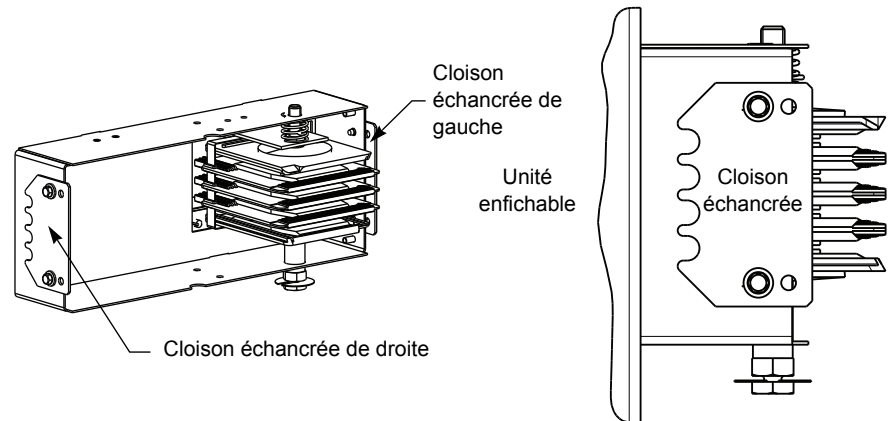


4. Selon le type de canalisation préfabriquée—I-Line (boîtier ondulé, figure 9A) ou I-Line II—et l'ouverture d'enfichage utilisée, l'emplacement des cloisons échancrées pourrait nécessiter un ajustement.

En cas d'installation dans une canalisation préfabriquée I-Line II :

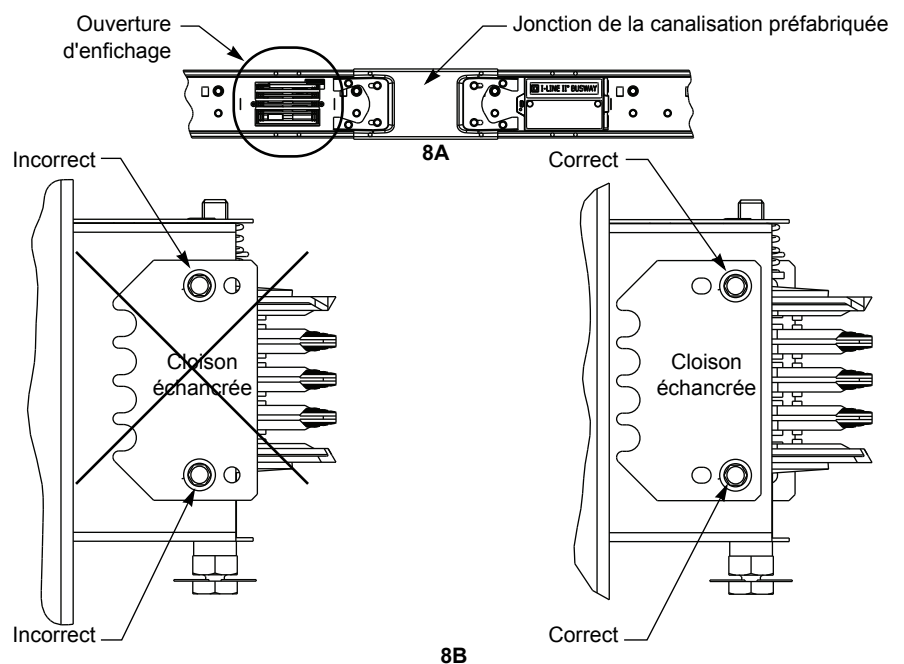
- Si l'unité enfichable doit être installée à toute autre ouverture d'enfichage de canalisation préfabriquée que sur la gauche d'une jonction de canalisation préfabriquée (figure 8A), laisser les deux cloisons échancrées, celle de droite et celle de gauche, telles qu'expédiées de l'usine (figure 7).

Figure 7 – Cloisons échancrées de droite et de gauche aux emplacements d'usine



- Si l'unité enfichable doit être installée dans une ouverture d'enfichage de canalisation préfabriquée sur la gauche d'une jonction de canalisation préfabriquée (figure 8A), changer l'emplacement de la cloison échancrée de droite uniquement (figure 7) à l'aide des trous ronds (figure 8B).

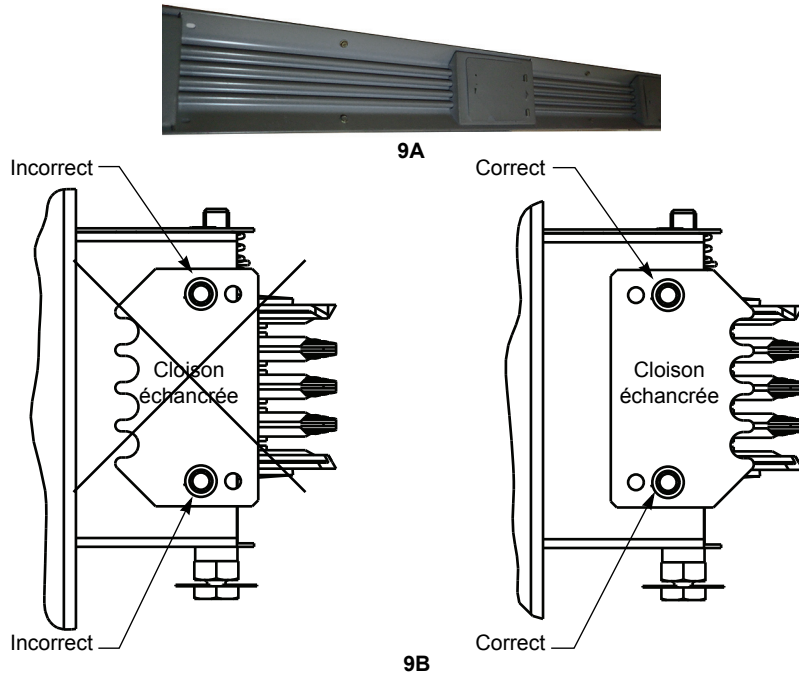
**Figure 8 – A. Ouverture d'enfichage sur la gauche de la jonction de la canalisation préfabriquée
B. Cloison échancrée du côté droit installée à l'aide des trous ronds**



En cas d'installation dans une canalisation préfabriquée I-Line (boîtier ondulé, voir la figure 9A):

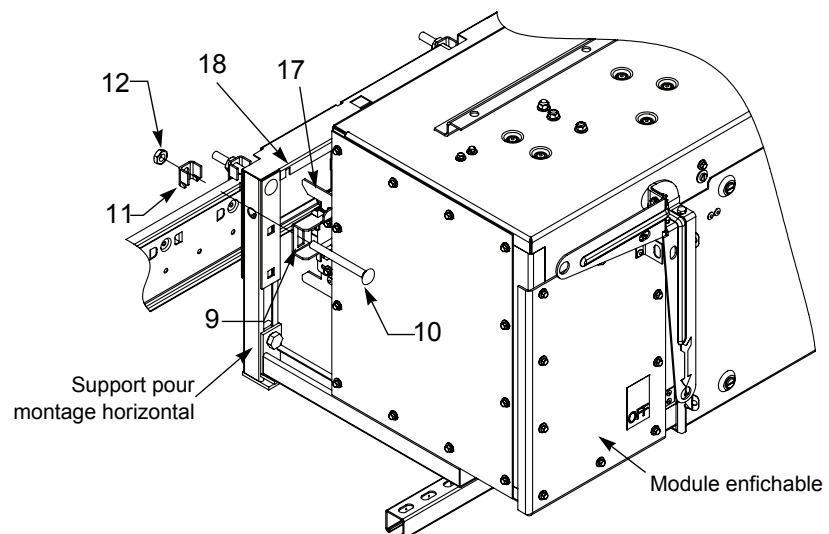
- Retirer les cloisons échançrées de droite et de gauche. Faire pivoter chaque cloison de 180° à partir de leur position d'usine (figure 7) et réinstaller à l'aide des trous oblongs (figure 9B). Le côté échançré des cloisons de droite et de gauche doit maintenant être orienté en direction de la canalisation préfabriquée (figure 9B).

**Figure 9 – A. Canalisation préfabriquée I-Line (boîtier ondulé)
B. Les deux cloisons échançrées installées à l'aide des trous oblongs (cloison de droite représentée)**



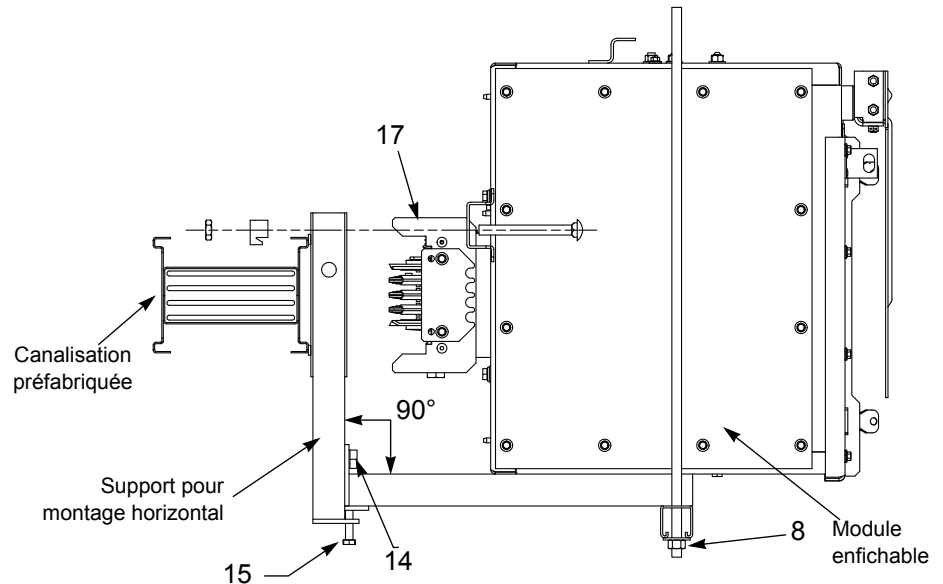
- Retirer les écrous (12) et les brides en U (11) des boulons de carrosserie (10). Placer l'unité sur le support de montage. S'assurer que le support d'alignement (17) s'aligne horizontalement dans la fente du support de montage (18) (figure 10).

Figure 10 – Emplacement du support d'alignement

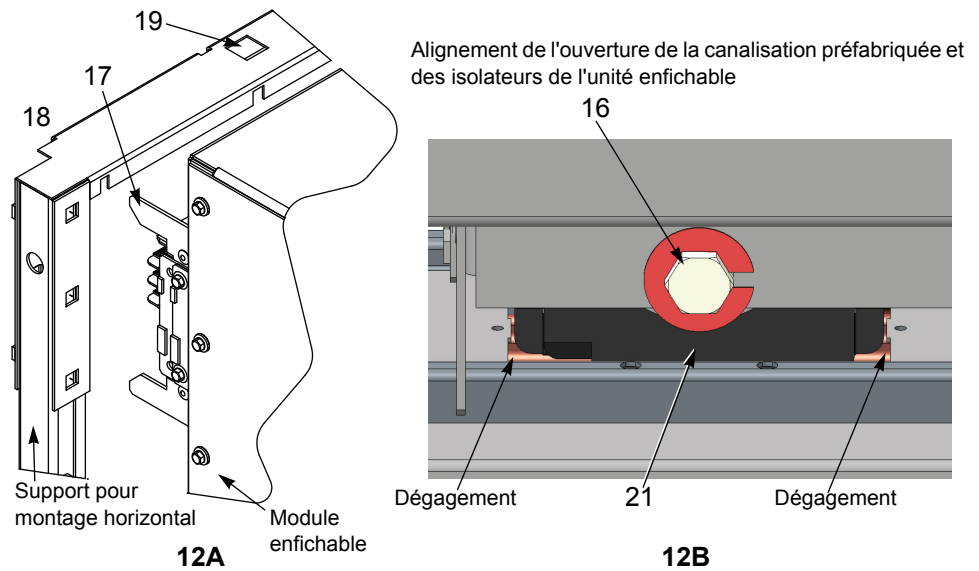


6. Centrer le support d'alignement (17) verticalement sur la canalisation préfabriquée (figure 11).
7. Pour ajuster l'unité vers le haut ou vers le bas, dévisser les boulons (14) d'un tour. Ajuster l'unité avec les boulons (15) et les écrous (8) puis resserrer les boulons (14) (figure 11).

Figure 11 – Ajustement vertical de l'unité enfichable

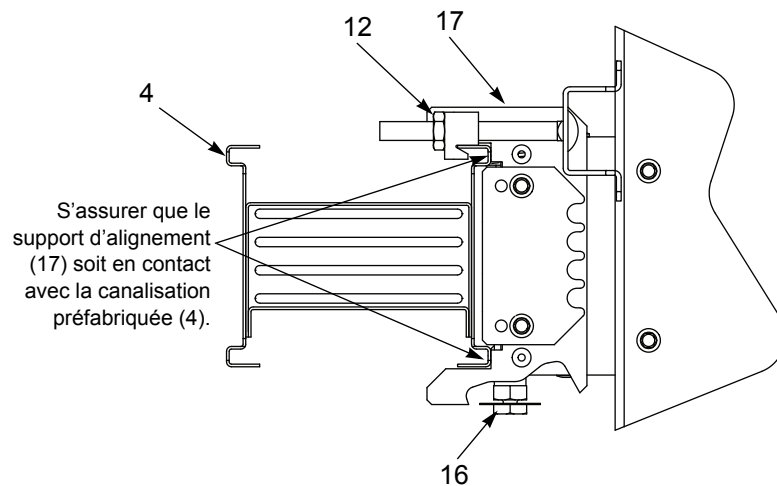


8. Vérifier visuellement par la fenêtre de visualisation (19) (figure 12A) ou depuis le dessous de l'unité enfichable (20) (figure 13 la page 16), l'alignement de connexion approprié des plaques isolantes de l'unité enfichable (21) et de l'ouverture de canalisation préfabriquée avec dégagement de chaque côté (figure 12B). Pousser l'unité en s'assurant que le dégagement est maintenu, jusqu'à ce que l'unité s'arrête. Si de la résistance se présente, se reporter aux instructions d'installation du support de la section « Installation du support pour montage horizontal sur la canalisation préfabriquée » à la page 11 et se reporter aux étapes 1 à 6 de la section « Installation de l'unité enfichable sur la canalisation préfabriquée et sur le support pour montage horizontal » à la page 12.

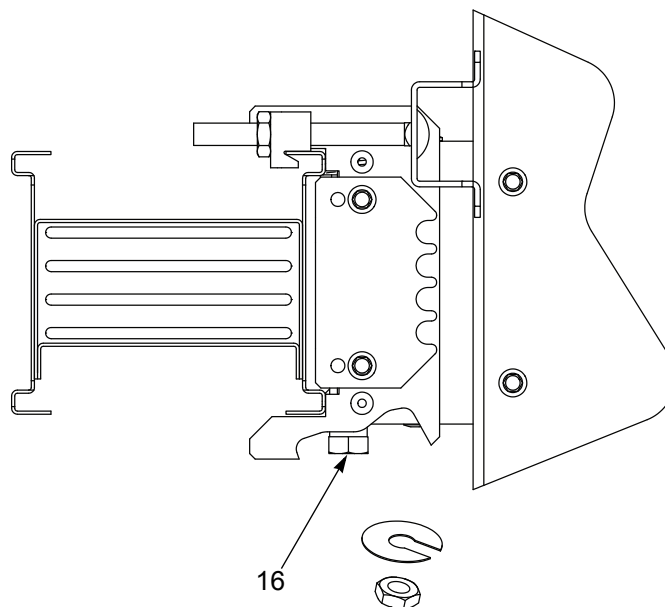
Figure 12 – Ajustement horizontal de l'unité enfichable

9. Placer les brides en U (11) sur la canalisation préfabriquée et de chaque côté de l'unité enfichable. Visser les boulons (10) dans les fentes du support de l'unité enfichable (9) et dans les trous des brides en U (11) (figure 10 à la page 14).
10. Visser les écrous (12) sur les boulons (10) et les serrer à la main (figure 10 à la page 14). S'assurer que le cran de chaque bride en U s'engage dans le rebord de la canalisation
11. Serrer chaque écrou (12) alternativement jusqu'à ce que le support d'alignement (17) touche la canalisation préfabriquée (4) (figure 13).

REMARQUE : Le couple de serrage ne doit pas être supérieur à 15 lb-pi (20 N•m).

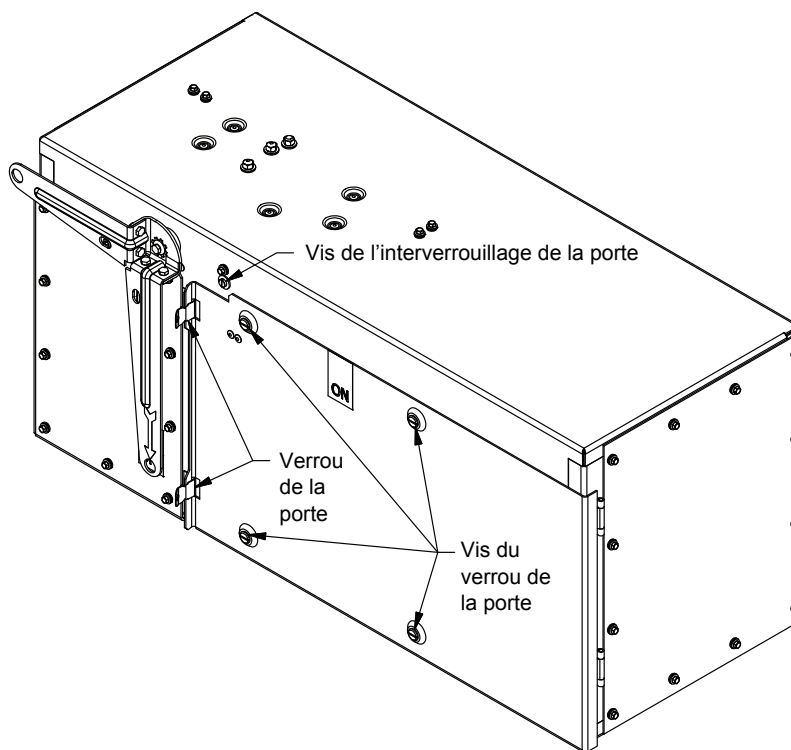
Figure 13 – Fixation de l'unité enfichable à la canalisation préfabriquée

12. Si l'unité est installée pour la première fois, serrer le boulon du connecteur (16) jusqu'à ce que la tête extérieure se casse. Si l'unité est changée de place, serrer le boulon du connecteur au couple 60 à 80 lb-po (81 à 108 N•m) (figure 14).

Figure 14 – Serrage du raccordement électrique**Essai de continuité avant la mise sous tension de la canalisation préfabriquée**

Se reporter à la figure 15 et aux points 1 à 4 pour effectuer un essai de continuité avant de mettre la canalisation préfabriquée sous tension.

1. Exécuter un essai de continuité sur l'unité enfichable avant de mettre la canalisation préfabriquée sous tension et d'installer les raccordements de la charge.
 - a. Amener la manette à la position de **marche (I)**.
 - b. Desserrer les quatre vis de la porte. Puis appuyer sur les deux verrous de la porte, pour pouvoir ouvrir celle-ci jusqu'à la prise en charge par l'interverrouillage.
 - c. Tourner la vis d'interverrouillage de la porte dans le sens anti-horaire pour permettre à la porte de s'ouvrir complètement.

Figure 15 – Tourner les vis et la vis d'interverrouillage de la porte

- d. Ouvrir une porte d'ouverture enfichable inutilisée de la canalisation préfabriquée (voir la figure 4 à la page 10).
 - e. Utiliser un vérificateur de continuité ou un mégohmmètre de 1 000 Vcc maximum pour vérifier l'isolation entre phases, phase à neutre et à la terre.
2. Amener la manette de l'unité enfichable à la position d'**arrêt (O)**.
 3. Fermer les portes de l'unité enfichable et de la canalisation préfabriquée lorsque l'essai est terminé et serrer les quatre vis de la porte.
 4. Câbler l'unité enfichable. Se reporter à la section « Schéma de câblage » à la page 31.

Instructions de montage vertical

Installer l'unité enfichable avec les cosses à l'intérieur du boîtier tournées vers le bas.

REMARQUE : Se reporter aux mesures de sécurité au début de la section « Précautions pour une application standard » à la page 13 avant d'installer l'unité enfichable sur la canalisation préfabriquée.

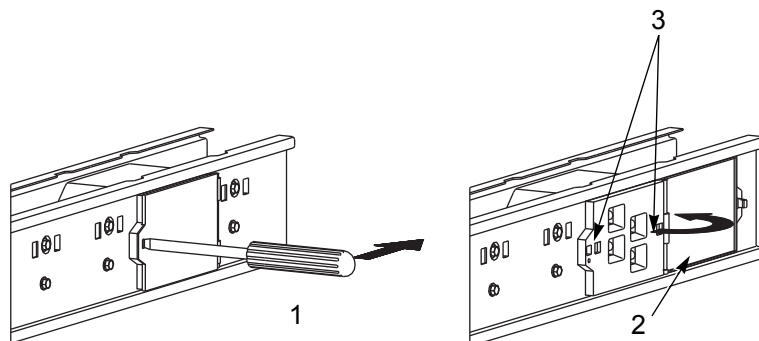
Pour assurer des bons raccordements électriques à la canalisation préfabriquée, les mâchoires de l'unité enfichable sont revêtues d'une pâte à joint anti-oxydation. **Ne pas retirer cette pâte**. Si la pâte devient contaminée, commander de la pâte de rechange (numéro de pièce PJC7201) chez votre distributeur local de Schneider Electric.

Préparation de la canalisation préfabriquée avant l'installation du support de montage et de l'unité enfichable

Se reporter à la figure 16 et aux points 1 à 8 pour préparer la canalisation préfabriquée avant d'installer le support de montage et l'unité enfichable.

1. Mettre la canalisation préfabriquée hors tension.
2. Insérer un tournevis à tête plate (1) dans la fente de la porte et libérer le verrou de la porte.
3. Faire pivoter la porte (2) complètement.
4. Desserrer et retirer les deux vis de montage (3) qui maintiennent la base. Ne pas jeter la quincaillerie. Retirer l'ensemble base/porte.
5. Pour garder la quincaillerie, placer les deux vis de montage dans leurs trous de montage dans la base et fermer la porte.
6. À l'intérieur de l'unité enfichable, on trouve des sections d'attache à crochet et boucle. Enlever la protection en papier de la partie non attachée à l'armoire et poser cette dernière sur la surface plate de la porte de l'ensemble base/porte enlevé au point 4.
7. Appuyer l'ensemble base/porte entier contre la partie de l'attache à crochet et boucle fixée à l'armoire afin de le conserver pour un usage ultérieur.
8. Fermer la porte de l'unité enfichable.

Figure 16 – Préparation de la canalisation préfabriquée avant l'installation du support de montage et de l'unité enfichable



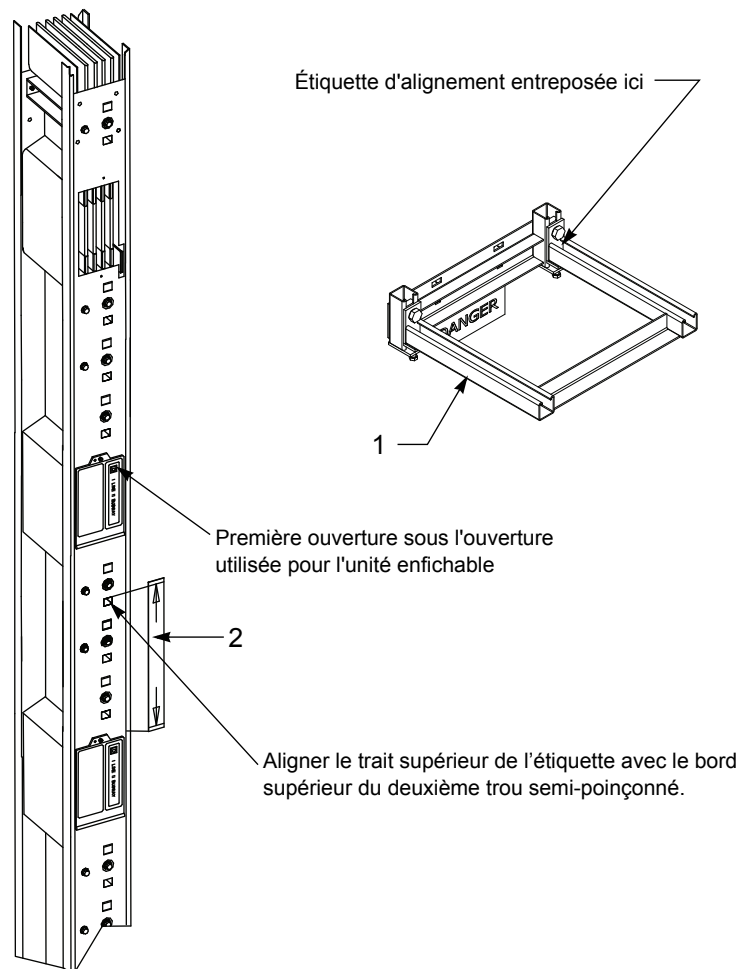
Installation du support pour montage vertical sur la canalisation préfabriquée

REMARQUE : En cas de changement de place du support pour montage vertical, commander une étiquette de rechange (numéro de pièce 45123-897-08) pour les unités avec disjoncteur chez votre distributeur local Schneider Electric.

Se reporter à la figure 17 et aux points 1 et 2 pour installer l'étiquette d'alignement du support pour montage vertical sur la canalisation préfabriquée.

1. Retirer le support inférieur (1) de la caisse d'expédition. Localiser l'étiquette d'alignement (2) à l'intérieur de l'entretoise du support.
2. Enlever la protection en papier de l'étiquette (2) et fixer l'étiquette sur la canalisation préfabriquée.

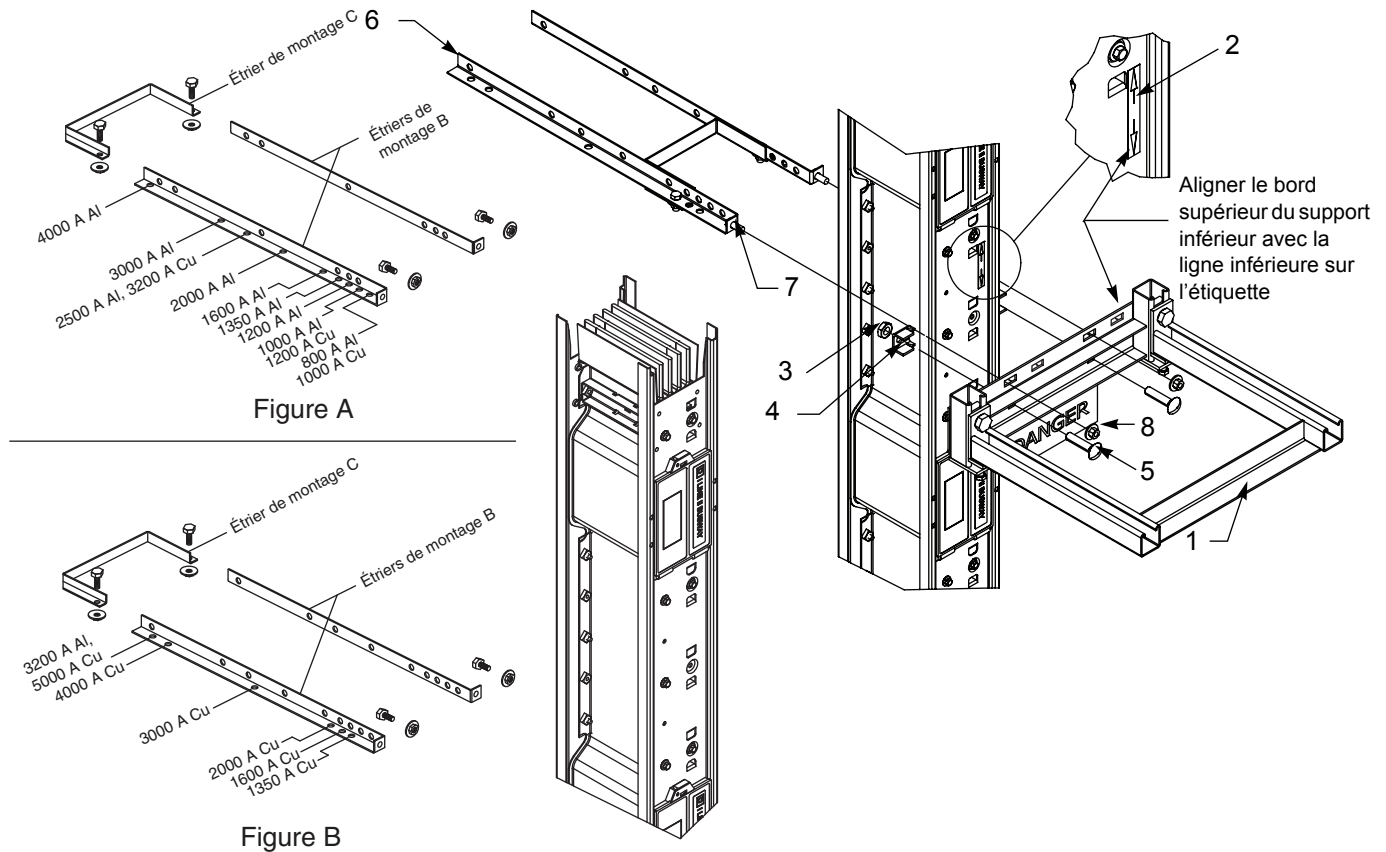
Figure 17 – Mise en place de l'étiquette d'alignement du support pour montage vertical



Se reporter à la figure 18 pour les points 3 à 10.

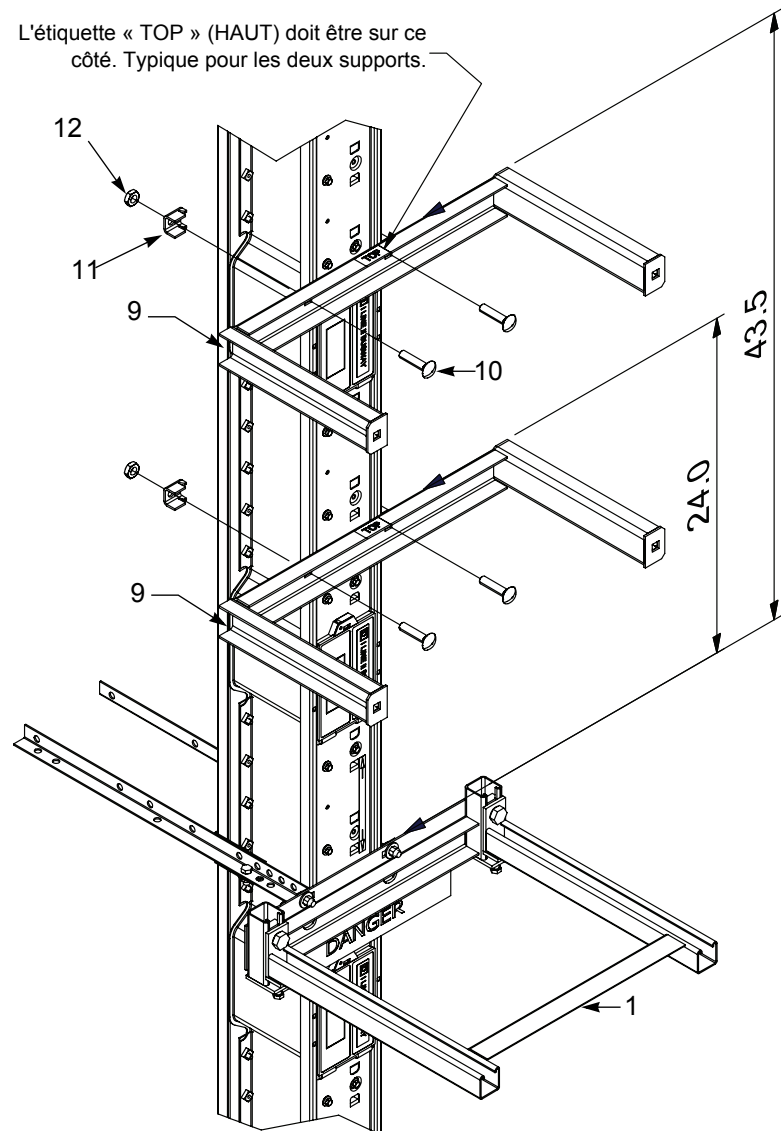
3. Dévisser les écrous (3) et retirer les brides en U (4) des boulons (5) sur le support inférieur (1).
4. Placer le bord supérieur du support inférieur (1) sur le trait inférieur de l'étiquette (2). S'assurer que le bord du support s'aligne avec le trait inférieur de l'étiquette comme indiqué. S'assurer que le bord du support est perpendiculaire à la canalisation préfabriquée.
5. Placer les brides en U (4) sur les boulons (5). S'assurer que le cran de chaque bride en U s'engage dans le rebord de la canalisation.
6. Visser les écrous (3) sur les boulons (5) et les serrer au couple de serrage de 32 à 40 lb-pi (43 à 54 N•m).
7. Déballez les étriers de montage B et C de la boîte 45200-910-50, se trouvant dans l'emballage d'expédition.
8. Orienter les étriers de montage B comme indiqué à la figure 18 A ou à la figure 18 B selon l'intensité nominale et le type de canalisation préfabriquée. Aligner la fente de l'étrier de montage C en forme de U avec le trou sur le côté de l'étrier B. Boulonner ensemble comme indiqué à la figure 18 A ou à la figure 18 B. Serrer au couple de 17 à 21 lb-pi (23 à 28 N•m).
9. Placer l'assemblage des étriers (6) autour de la canalisation préfabriquée. Passer les boulons (7) dans les trous de l'assemblage des étriers et les fentes du support inférieur (1).
10. Visser les écrous (8) sur les boulons (7) et les serrer au couple de serrage de 17 à 21 lb-pi (23 à 28 N•m). Les boulons et écrous sont emballés à l'intérieur de la boîte 45200-910-50.

Figure 18 – Assemblage du support inférieur pour montage vertical



Se reporter à la figure 19 pour les points 11 à 15.

11. Déballez les supports (9) de l'emballage d'expédition. Dévissez les écrous (12) et les brides en U (11) des boulons (10).
12. Placer le bord supérieur du support supérieur (9) à 43,5 po (1105 mm) au-dessus du bord supérieur du support inférieur (1).
13. Placer les boulons (10) à travers le support (9). Placer les brides en U (11) sur les boulons. S'assurer que le cran de chaque bride en U s'engage dans le rebord de la canalisation préfabriquée. Visser et serrer l'écrou (12) sur le boulon (10). Serrer au couple de 32 à 40 lb-pi (43 à 54 N•m).
14. Placer le bord supérieur du support du milieu (9) à 24 po (610 mm) au-dessus du bord supérieur du support inférieur (1).
15. Placer les boulons (10) à travers le support (9). Placer les brides en U (11) sur les boulons. S'assurer que le cran de chaque bride en U s'engage dans le rebord de la canalisation préfabriquée. Visser et serrer l'écrou (12) sur le boulon (10). Serrer au couple de 32 à 40 lb-pi (43 à 54 N•m).

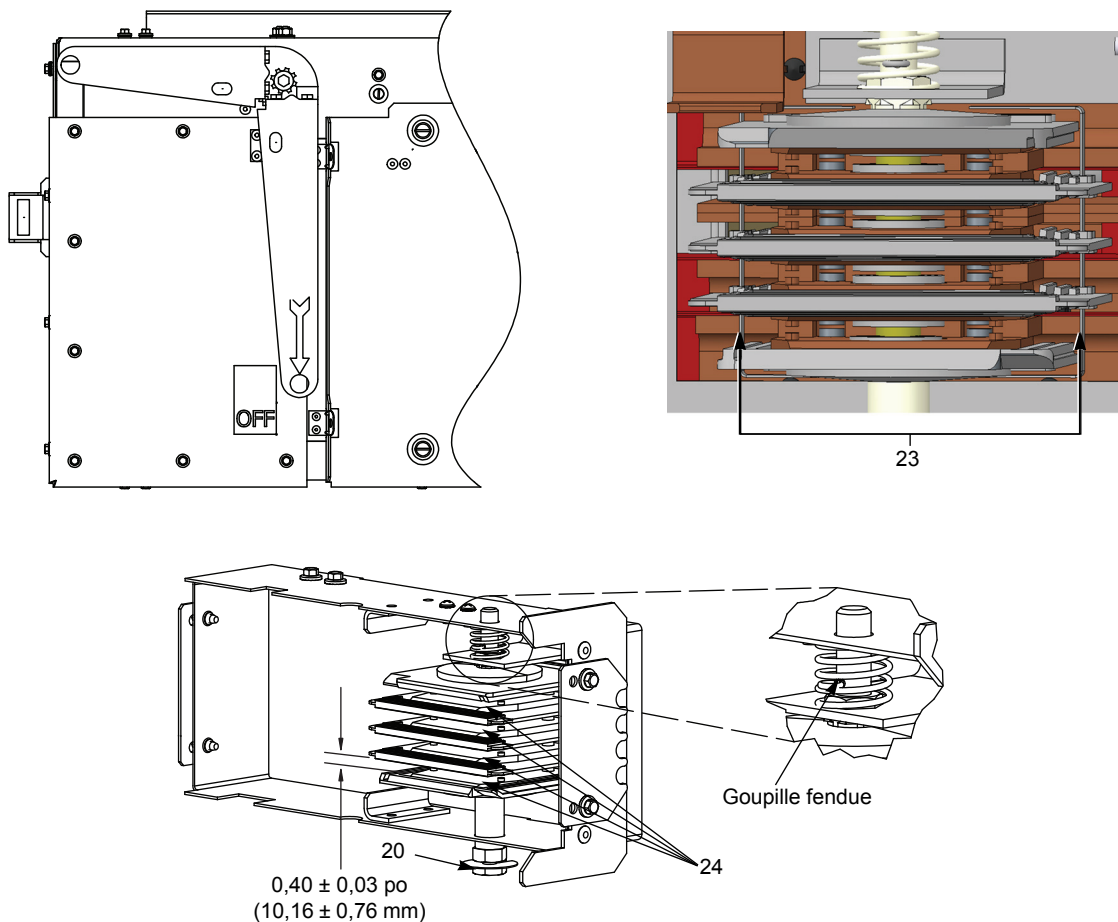
Figure 19 – Assemblage des supports supérieur et central pour montage vertical**Installation de l'unité enfichable sur la canalisation préfabriquée et le support pour montage vertical**

Se reporter à la figure 20 et aux points 1 et 2 pour préparer l'unité enfichable pour son installation sur la canalisation préfabriquée et le support pour montage vertical.

1. Mettre l'unité enfichable hors tension en pointant la flèche de la manette sur **arrêt (O)**.
2. S'assurer que les ressorts de retenue (22) sont présents et placés comme montrés dans la figure 18.
3. Vérifier visuellement si de la lubrification est présente aux plaques de connexion (23) et ajuster le boulon du connecteur (16) jusqu'à ce que le dégagement entre les plaques de cuivre inférieures soit de $0,40 \pm 0,03$ po ($10,16 \pm 0,76$ mm).

REMARQUE : Le dégagement inférieur doit être maintenu pour assurer une installation appropriée et éviter l'endommagement de l'isolateur pendant l'installation.

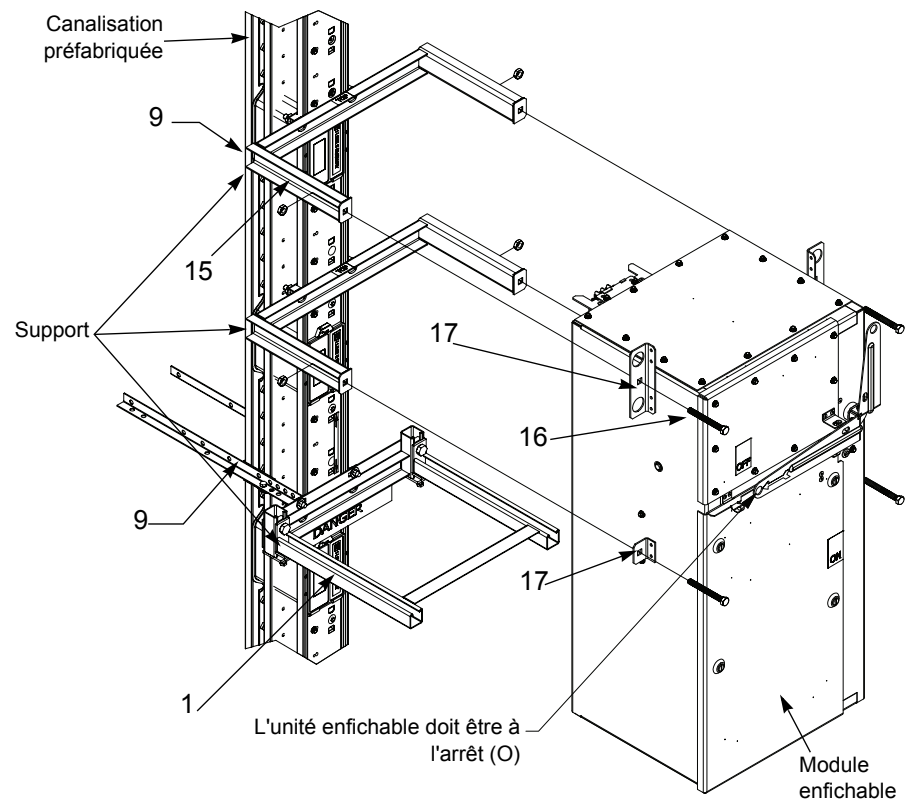
Figure 20 – Préparation de l'unité enfichable à l'installation verticale



4. Selon le type de canalisation préfabriquée (I-Line ou I-Line II) et les ouvertures d'enchâssement utilisés, il peut être nécessaire d'ajuster la position de la cloison échançrée. Se reporter au point 4 à la page 13 pour l'ajustement approprié, si nécessaire

- Retirez les écrous (15) des boulons de tête hexagonale (16) (figure 21). Placez l'unité sur le support inférieur (1) du support pour montage.

Figure 21 – Montage de l'unité enfichable verticale



- Centrer horizontalement le support d'alignement (21) sur la canalisation préfabriquée. Le support d'alignement (21) doit chevaucher chaque côté de la canalisation préfabriquée (figure 22).
- Centrer verticalement la gorge de l'ouverture d'enfichage sur la canalisation préfabriquée. Pour ajuster l'unité enfichable vers le haut ou vers le bas, dévisser les boulons de blocage (18) d'un tour. Ajuster l'unité avec les boulons (19), puis resserrer les boulons de blocage (18) (figure 23).
- Vérifier visuellement l'alignement de connexion approprié des plaques isolantes de l'unité enfichable (22) (figure 22B à la page 26) et l'ouverture de canalisation préfabriquée avec dégagement de chaque côté. Pousser l'unité en s'assurant que le dégagement est maintenu, jusqu'à ce que l'unité s'arrête. Si de la résistance se présente, se reporter aux instructions d'installation du support de la section « Installation du support pour montage vertical sur la canalisation préfabriquée » à la page 20 et se reporter aux étapes 1 à 6 de la section « Installation de l'unité enfichable sur la canalisation préfabriquée et le support pour montage vertical » à la page 23.
- Visser les boulons (16) dans les fentes du support (17) de l'unité enfichable (figure 21) et dans les trous des brides en les assemblages des supports supérieur et central pour montage (9).
- Visser les écrous (15) sur les boulons (16) et les serrer alternativement jusqu'à ce que le support d'alignement (17) chevauche chaque côté de la canalisation préfabriquée (figure 23 à la page 26 et figure 24 à la page 27).

REMARQUE : Le couple de serrage ne doit pas être supérieur à 15 lb-pi (20 N•m).

Figure 22 – Ajustement horizontal de l'unité enfichable

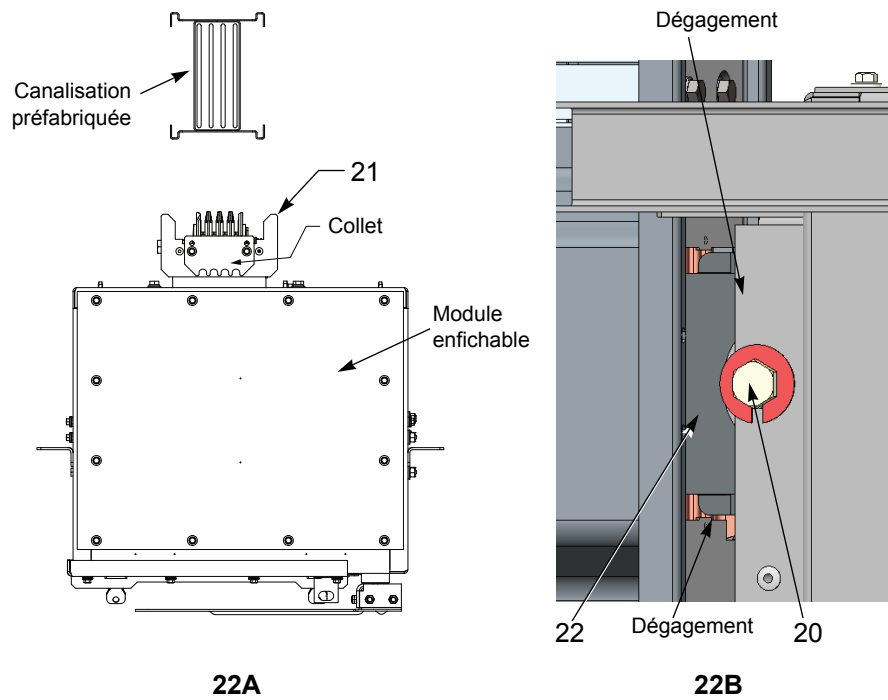


Figure 23 – Ajustement vertical de l'unité enfichable

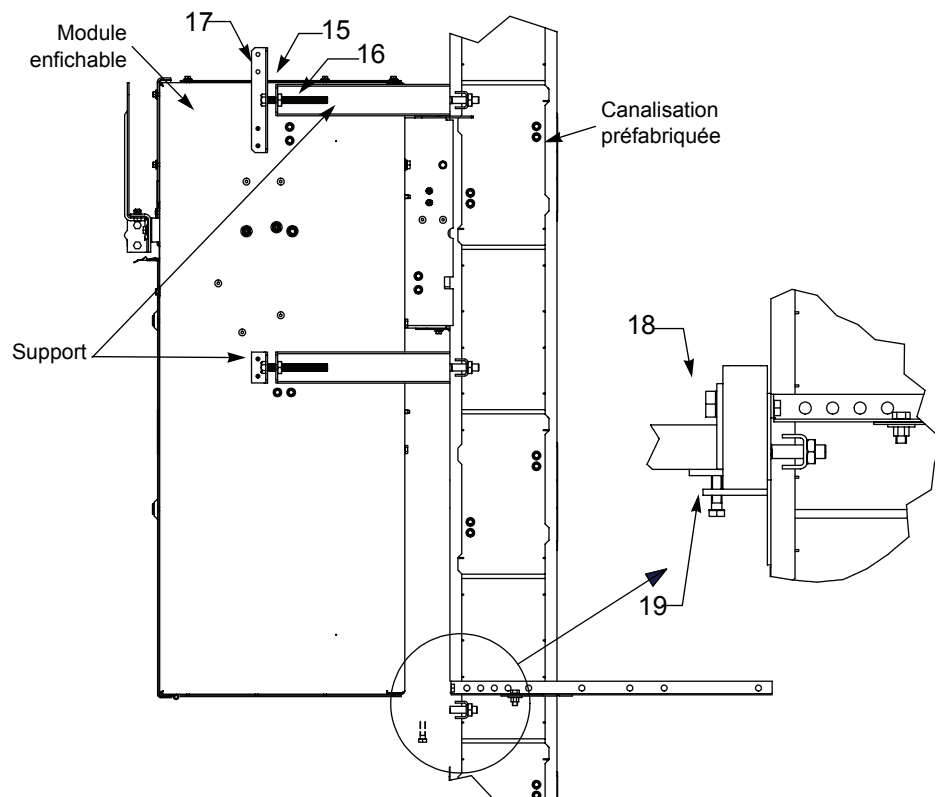
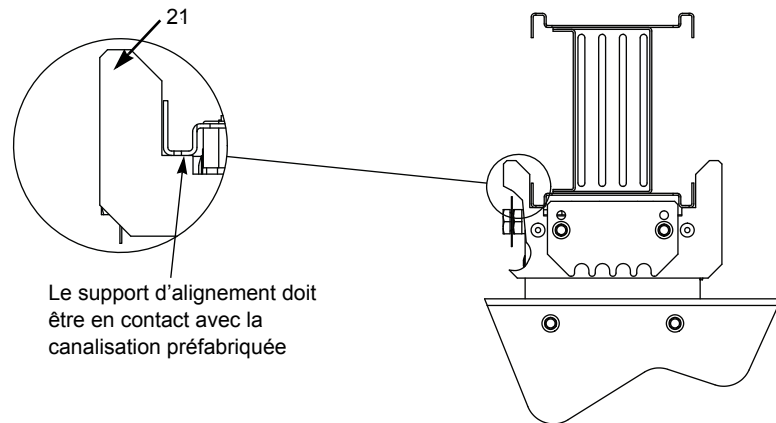
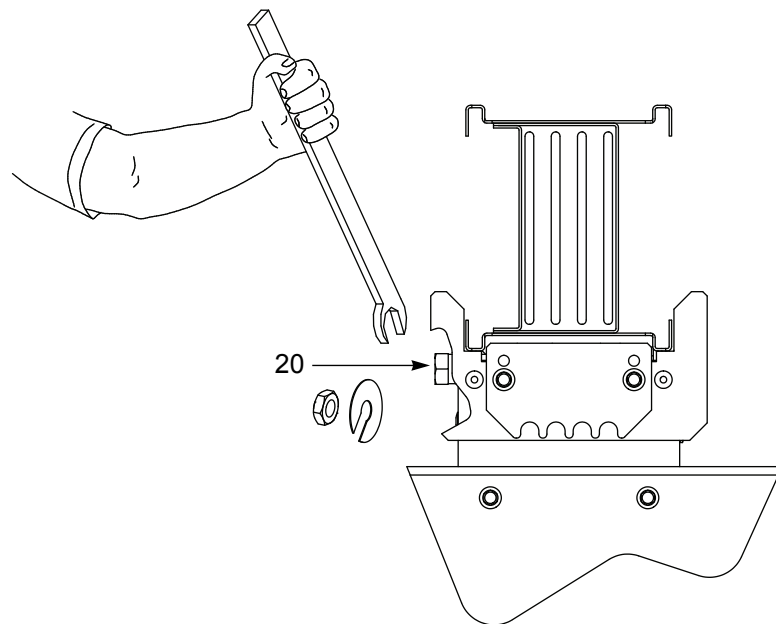


Figure 24 – Insertion de l'unité enfichable

Le support d'alignement doit être en contact avec la canalisation préfabriquée

11. Si l'unité est installée pour la première fois, serrer le boulon du connecteur (20) jusqu'à ce que la tête extérieure se casse. Si l'unité est changée de place, serrer le boulon du connecteur au couple 60 à 80 lb-po (81 à 108 N•m) (figure 25).

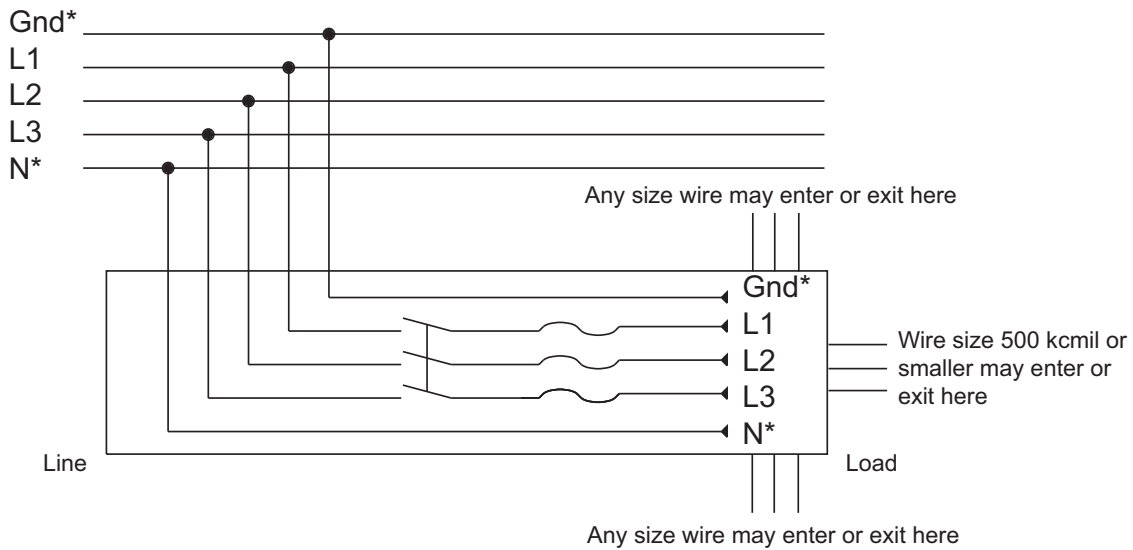
Figure 25 – Serrage du raccordement électrique

Essai de continuité avant la mise sous tension de la canalisation préfabriquée

1. Exécuter un essai de continuité sur l'unité enfichable avant de mettre la canalisation préfabriquée sous tension et d'installer les raccordements de la charge. Se reporter à la section « Essai de continuité avant la mise sous tension de la canalisation préfabriquée » à la page 21.
2. Câbler l'unité enfichable. Se reporter à la section « Schéma de câblage » à la page 31.

Schéma de câblage

Figure 26 – Schéma de câblage pour une application standard



*Where applicable

- Refer to Table 2 on page 29 or the lugs' markings for accepted wire sizes.
- Use copper or aluminum wire.
- Torque the wire binding screws of the phase and neutral lugs to 37 lb-ft (50 N•m).
- Torque the wire binding screws of the ground lugs to 23 lb-ft (31 N•m).
- Torque all fuse mounting screws to 25 lb-ft (34 N•m).

Informations sur la taille des cosses et le calibre des fils

Les cosses sont convenables pour les conducteurs en Cu ou en Al de 75 °C.

Pour des options de cosses supplémentaires, contacter votre représentant local Schneider Electric.

AVIS

ENDOMMAGEMENT POSSIBLE DE L'APPAREIL

Les modifications sur place de l'armoire (autres que les trous d'entrée de câbles) ne sont pas autorisées, car elles pourraient affecter de façon indésirable les performances du produit et la protection IP54.

Si ces directives ne sont pas respectées, cela peut entraîner des dommages matériels.

Les modifications sur place de l'armoire (autres que les trous d'entrée de câbles) ne sont pas autorisées, car elles pourraient affecter de façon indésirable les performances du produit.

Les câbles doivent être soutenus/utilisés conformément aux codes en vigueur suivants, selon le pays :

- Le Code national de l'électricité (NEC), NFPA 70
- Le Code canadien de l'électricité, Partie 1 (CCE, Partie 1), ou
- La norme mexicaine pour les installations électriques (services publics), NOM-001-SEDE.

Tableau 2 – Informations sur la taille des cosses et le calibre des fils

Type d'unité	Courant nominal	Phase et neutre			Terre		
		Nombre de conducteurs	Gamme des fils de cosses	Couple de la vis de fixation du fil	Nombre de conducteurs	Gamme des fils de cosses	Couple de la vis de fixation du fil
PTQ	800	3	3/0-500 kcmil	37 lb-pi (50 N•m)	4	#6-300 kcmil	23 lb-pi (31 N•m)
	1000	4					
	1200						

Section 6—Fonctionnement

⚠ ATTENTION

RISQUE DES BLESSURES OU DE DOMMAGES MATÉRIELS

- N'introduisez jamais les doigts dans une fente du boîtier du mécanisme.
- Lorsque vous tournez les manettes du mécanisme, assurez-vous qu'il n'y a pas d'obstruction, telle que des parties du corps, sur le passage des manettes.

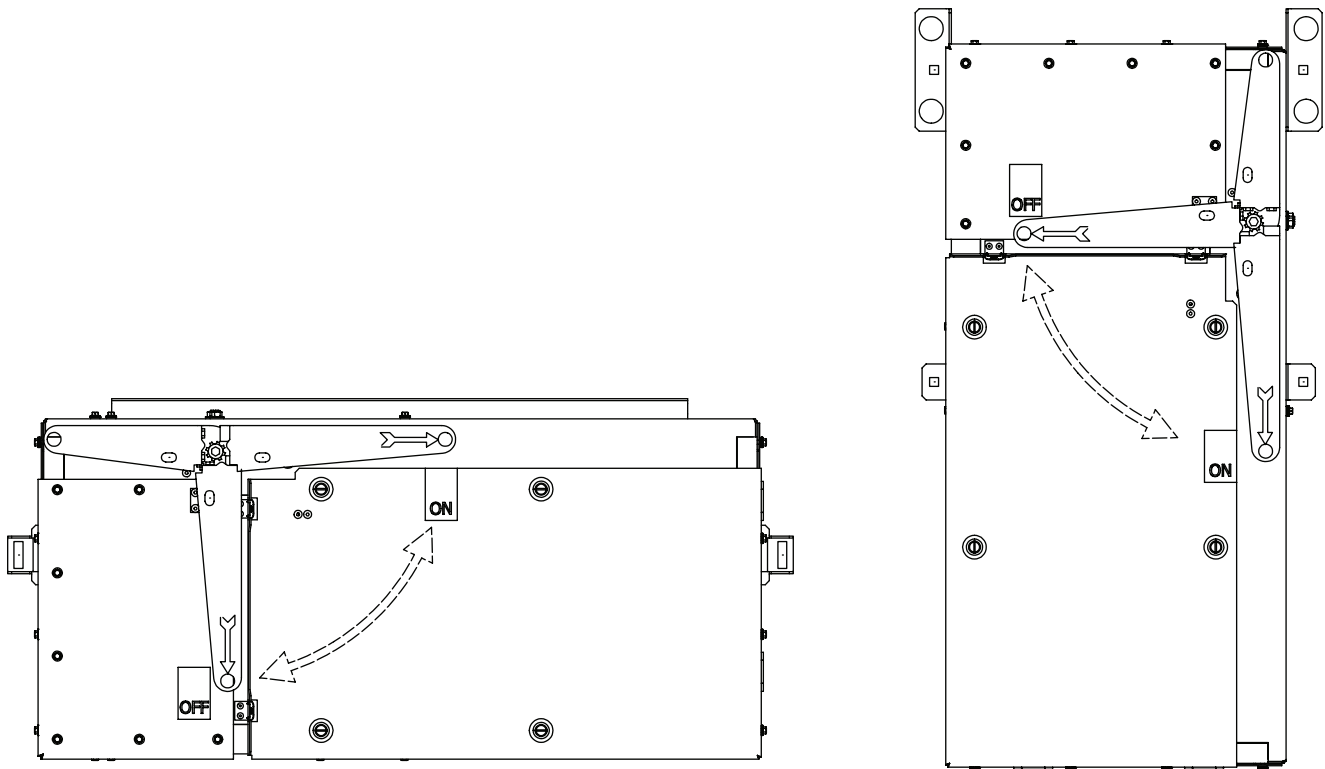
Si ces directives ne sont pas respectées, cela peut entraîner des blessures et des dommages matériels.

Mise de l'interrupteur de l'unité enfichable en position de marche (I) et d'arrêt (O)

Manœuvrer la manette de l'unité enfichable en exerçant un mouvement rapide et ferme (figure 27).

REMARQUE : Lorsque l'unité enfichable est hors de portée du niveau du sol, manœuvrer la manette à l'aide d'une perche isolante. Se reporter à la section « Accessoires et pièces de rechange » à la page 41.

Figure 27 – Mise de l'interrupteur de l'unité enfichable en position de marche (I) et d'arrêt (O)



Cadenassage de la porte/manette de l'unité enfichable

Précautions pour une application standard

⚠ DANGER

RISQUE D'ÉLECTROCUTION, D'EXPLOSION OU ÉCLAIR D'ARC ÉLECTRIQUE

- Portez un équipement de protection personnelle (ÉPP) approprié et observez les méthodes de travail électrique sécuritaire. Voir NFPA 70E ou CSA Z462.
- Seul un personnel qualifié doit effectuer l'installation et l'entretien de cette unité enfichable.
- Mettez la canalisation préfabriquée hors tension avant d'installer l'unité enfichable sur la canalisation.
- Utilisez toujours un dispositif de détection de tension à valeur nominale appropriée sur tous les raccordements du côté ligne et charge pour s'assurer que toute l'alimentation est coupée.
- Cadenassez la manette de l'unité enfichable à la position d'**arrêt (O)**.
- Observez toutes les procédures de verrouillage et d'étiquetage requises.

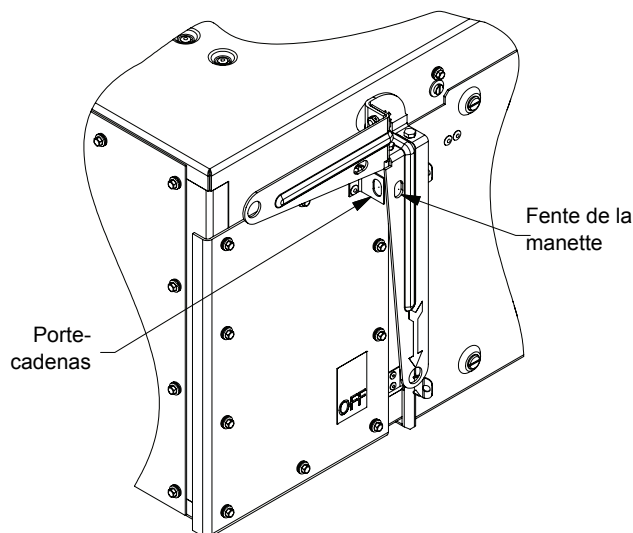
Si ces directives ne sont pas respectées, cela entraînera la mort ou des blessures graves.

Cadenassage de la manette de l'unité enfichable

Se reporter à la figure 28 et aux points 1 et 2 pour cadenasser la manette de l'unité enfichable.

1. Amener la manette de l'unité enfichable à la position d'**arrêt (O)**.
2. Pour cadenasser le mécanisme de la manette à la position d'**arrêt (O)**, insérer une option de cadenasage, ou un simple cadenas ayant une manille d'un diamètre maximum de 3/8 po (9 mm), dans la fente de la manette et le porte-cadenas.

Figure 28 – Cadenassage de la manette de l'unité enfichable à la position d'arrêt (O)

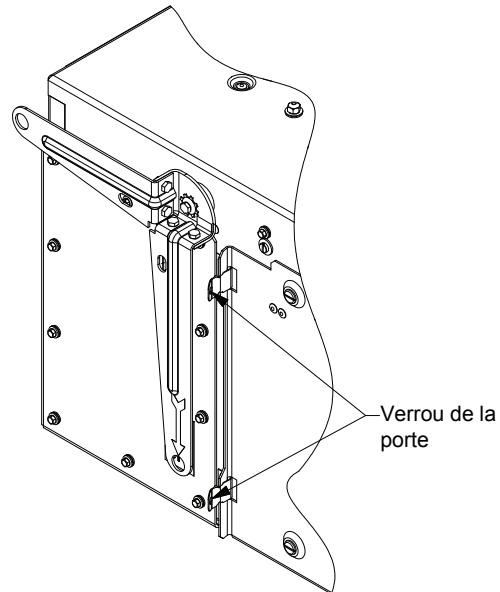


Cadenassage de la porte de l'unité enfichable

Se reporter à la figure 28 et aux points 1 et 2 pour cadenasser la porte de l'unité enfichable.

1. La porte de l'unité enfichable peut être cadenassée fermée pour empêcher des accès non autorisés de l'appareil. Employer un cadenas muni d'une manille d'un diamètre maximum de 3/8 po (9 mm).
2. Faire passer la manille de cadenas dans les trous de n'importe quel verrou de la porte.

Figure 29 – Cadenassage de la porte de l'unité enfichable



Section 7—Retrait de l'unité enfichable de la canalisation préfabriquée

Précautions pour une application standard

⚠ DANGER

RISQUE D'ÉLECTROCUTION, D'EXPLOSION OU ÉCLAIR D'ARC ÉLECTRIQUE

- Portez un équipement de protection personnelle (ÉPP) approprié et observez les méthodes de travail électrique sécuritaire. Voir NFPA 70E ou CSA Z462.
- Seul un personnel qualifié doit retirer et effectuer l'entretien de cette unité enfichable.
- Mettez la canalisation préfabriquée hors tension avant de retirer l'unité enfichable.
- Utilisez toujours un dispositif de détection de tension à valeur nominale appropriée sur tous les raccordements du côté ligne et charge pour s'assurer que toute l'alimentation est coupée.
- Mettez l'unité enfichable hors tension.
- Ne retirez pas l'unité enfichable si le couvercle est ouvert ou enlevé.

Si ces directives ne sont pas respectées, cela entraînera la mort ou des blessures graves.

1. Couper l'alimentation de toutes les sources alimentant les raccordements des côtés ligne et charge vers l'unité enfichable.
2. Mettre l'unité enfichable en position d'**arrêt (O)**.
3. Ouvrir la porte de l'unité et détacher l'ensemble base/porte de la portion de l'attache à crochet et boucle (précédemment installé), attaché à l'intérieur de l'unité enfichable.
4. Débrancher les câbles de l'unité enfichable.
5. Retirer le conduit et tous raccords du conduit.
6. Fermer la porte de l'unité et l'attacher à l'aide des quatre vis de la porte.
7. Retirer l'unité enfichable du châssis et ce dernier de la canalisation préfabriquée.
8. Installer l'ensemble base/porte, détaché au point 3, dans l'ouverture d'enfichage sur la canalisation préfabriquée.

Section 8—Entretien général

Pour obtenir des directives d'entretien supplémentaires, consulter le bulletin NEMA BU 1.1. Inspecter l'unité une fois par an et voir s'il s'est produit une accumulation appréciable de poussière et de liquides.

Lors d'un changement de place de l'unité enfichable, inspecter la pâte à joint sur les connexions boulonnées afin de voir si celle-ci a été contaminée. Remplacer la pâte à joint (numéro de pièce PJC7201), si nécessaire.

Pour commander des accessoires et pièces de rechange, consulter la section « Accessoires et pièces de rechange » à la page 41, ou adressez-vous à votre représentant local de Schneider Electric.

Section 9—Accessoires et pièces de rechange

Tableau 3 – Accessoires et pièces de rechange

Description	N° de catalogue
Assemblage du support pour montage horizontal	45225-524-50
Assemblage du support pour montage vertical	45225-515-50
Perche isolante, 8 pieds (2,4 m)	515608
Perche isolante 14 pieds (4,3 m)	515614
Pâte à joint	PJC7201
Étiquette du support pour montage vertical	45123-897-08

Schneider Electric Canada, Inc.

5985 McLaughlin Road
Mississauga, ON L5R 1B8 Canada
800-565-6699
www.schneider-electric.ca

Du fait que les normes, caractéristiques et conceptions peuvent changer,
demander confirmation que l'information contenue dans cette publication
est à jour.

Toutes les marques commerciales sont la propriété de Schneider Electric SE,
ses filiales et compagnies affiliées.

© 2013–2018 Schneider Electric Tous droits réservés

45225-499-01B, 05/2018
Remplace 45225-499-01A, 07/2017

Schneider Electric USA, Inc.
800 Federal Street
Andover, MA 01810 USA
888-778-2733
www.schneider-electric.us

Standards, specifications, and designs may change, so please ask for confirmation that the information in this publication is current.

All trademarks are the property of Schneider Electric SE, its subsidiaries, and affiliated companies.

© 2013–2018 Schneider Electric
All Rights Reserved

45225-499-01B, 05/2018
Replaces 45225-499-01A, 07/2017

Importado en México por:
Schneider Electric México, S.A. de C.V.
Av. Ejercito Nacional No. 904
Col. Palmas, Polanco 11560 México, D.F.
55-5804-5000
www.schneider-electric.com.mx

Normas, especificaciones y diseños pueden cambiar, por lo tanto pida confirmación de que la información de esta publicación está actualizada.

Todas las marcas comerciales son propiedad de Schneider Electric SE, sus filiales y compañías afiliadas.

© 2013–2018 Schneider Electric
Reservados todos los derechos

45225-499-01B, 05/2018
Reemplaza 45225-499-01A, 07/2017

Schneider Electric Canada, Inc.
5985 McLaughlin Road
Mississauga, ON L5R 1B8 Canada
800-565-6699
www.schneider-electric.ca

Du fait que les normes, caractéristiques et conceptions peuvent changer, demander confirmation que l'information contenue dans cette publication est à jour.

Toutes les marques commerciales sont la propriété de Schneider Electric SE, ses filiales et compagnies affiliées.

© 2013–2018 Schneider Electric
Tous droits réservés

45225-499-01B, 05/2018
Remplace 45225-499-01A, 07/2017



California Proposition 65 Warning—Nickel Compounds and Bisphenol A (BPA)

Advertencia de la Proposición 65 de California— compuestos de níquel y Bisfenol A (BPA)

Avertissement concernant la Proposition 65 de Californie— composés de nickel et Bisphénol A (BPA)

⚠ WARNING: This product can expose you to chemicals including Nickel compounds, which are known to the State of California to cause cancer, and Bisphenol A (BPA), which is known to the State of California to cause birth defects or other reproductive harm. For more information go to www.P65Warnings.ca.gov.

⚠ ADVERTENCIA: Este producto puede exponerle a químicos incluyendo compuestos de níquel, que son conocidos por el Estado de California como causantes de cáncer, y Bisfenol A (BPA), que es conocido por el Estado de California como causante de defectos de nacimiento u otros daños reproductivos. Para mayor información, visite www.P65Warnings.ca.gov.

⚠ AVERTISSEMENT: Ce produit peut vous exposer à des agents chimiques, y compris composés de nickel, identifiés par l'État de Californie comme pouvant causer le cancer, et Bisphénol A (BPA) reconnus par l'État de Californie comme pouvant causer des malformations congénitales ou autres troubles de l'appareil reproducteur. Pour de plus amples informations, prière de consulter www.P65Warnings.ca.gov.

All trademarks are the property of Schneider Electric SE, its subsidiaries, and affiliated companies.

Schneider Electric USA, Inc.
800 Federal Street
Andover, MA 01810 USA
888-778-2733
www.schneider-electric.us

Todas las marcas comerciales son propiedad de Schneider Electric SE, sus filiales y compañías afiliadas.

Importado en México por:
Schneider Electric México, S.A. de C.V.
Av. Ejercito Nacional No. 904
Col. Palmas, Polanco 11560 México, D.F.
55-5804-5000
www.schneider-electric.com.mx

Toutes les marques commerciales sont la propriété de Schneider Electric SE, ses filiales et compagnies affiliées.

Schneider Electric Canada, Inc.
5985 McLaughlin Road
Mississauga, ON L5R 1B8 Canada
800-565-6699
www.schneider-electric.ca