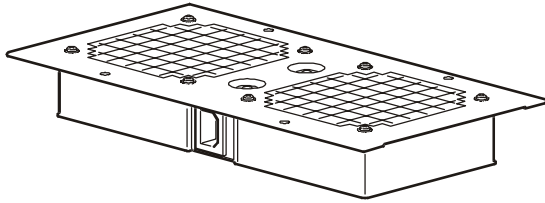
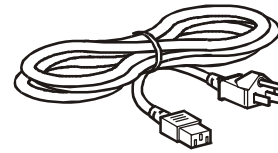


# NetShelter Fan Tray

## Inventory

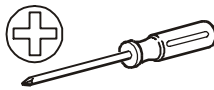


Fan tray



Power cord

## Tools required (not provided)



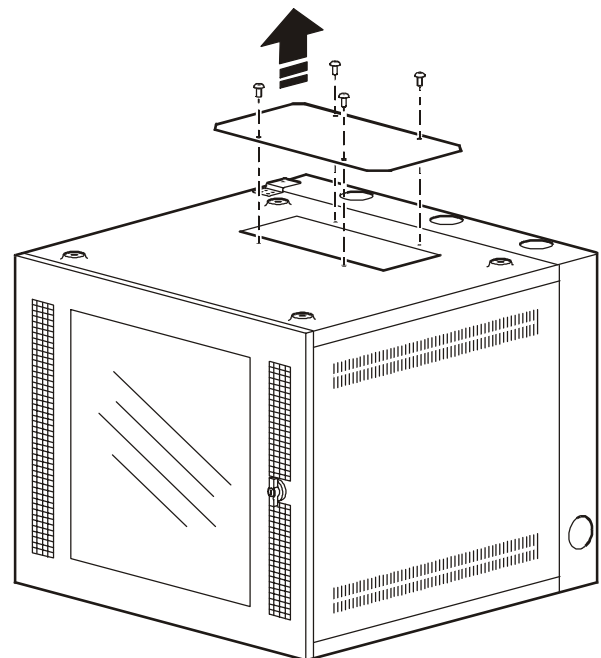
#2 Phillips screwdriver



5-mm hex wrench

## Install the fan tray

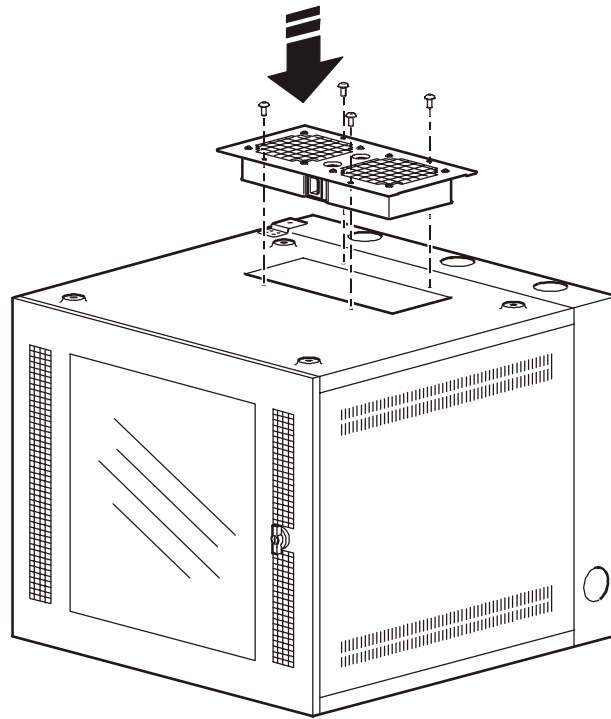
1. Remove four screws and blanking plate from the cabinet, and save screws for reuse.



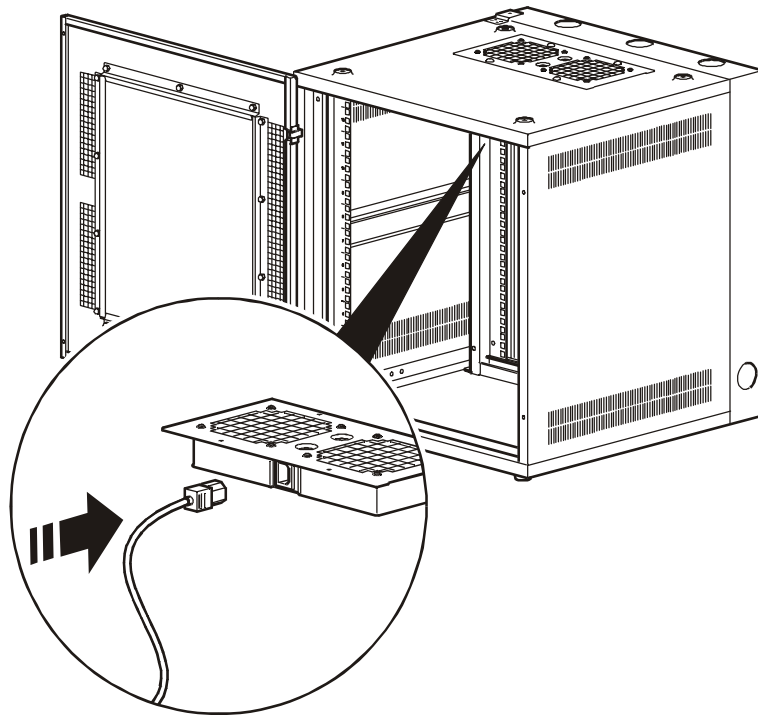
2. Install the fan tray, and secure it using the previously removed screws.



Position cord outlet towards the front of the cabinet.



3. Open the cabinet door, and insert the power cord into the receptacle on the fan tray.
4. Install fan tray only on a circuit that has an circuit protector.



## Models

The NetShelter enclosure's roof fan tray is available in the following models:

- AR8206BLK Wall-Mount Fan Tray—120 VAC Black
- AR8207BLK Wall Mount Fan Tray—230 VAC Black



Note

The Wall-Mount Fan Tray is for use with APC NetShelter Wall-Mount enclosures only.

## Electrical rating

<b>AR8206BLK</b>					
<b>Input Voltage</b>	<b>Frequency</b>	<b>Current</b>	<b>Noise</b>	<b>Air-flow<sup>†</sup></b>	<b>Operating Voltage Range</b>
120VAC	50 Hz	.035 A	48 dBA	220 cfm	102–138 VAC
	60 Hz	.030 A	48 dBA	220 cfm	
<b>AR8207BLK</b>					
230 VAC	50 Hz	0.22 A	59 dBA	220 cfm	196–264 VAC
	60 Hz	0.22 A	59 dBA	220 cfm	

<sup>†</sup> Air-flow given at nominal input voltage.



## APC Worldwide Customer Support

Customer support for this or any other APC product is available at no charge in any of the following ways:

- Visit the APC Web site to access documents in the APC Knowledge Base and to submit customer support requests.
  - **www.apc.com** (Corporate Headquarters)  
Connect to localized APC Web sites for specific countries, each of which provides customer support information.
  - **www.apc.com/support/**  
Global support searching APC Knowledge Base and using e-support.
- Contact an APC Customer Support center by telephone or e-mail.
  - Regional centers:

Direct InfraStruXure Customer Support Line	(1)(877)537-0607 (toll free)
APC headquarters U.S., Canada	(1)(800)800-4272 (toll free)
Latin America	(1)(401)789-5735 (USA)
Europe, Middle East, Africa	(353)(91)702000 (Ireland)
Japan	(0) 3 5434-2021
Australia, New Zealand, South Pacific area	(61) (2) 9955 9366 (Australia)

- Local, country-specific centers: go to **www.apc.com/support/contact** for contact information.

Contact the APC representative or other distributor from whom you purchased your APC product for information on how to obtain local customer support.

Entire contents copyright © 2004 American Power Conversion. All rights reserved.  
Reproduction in whole or in part without permission is prohibited. APC, the APC logo, and NetShelter are trademarks of American Power Conversion Corporation and may be registered in some jurisdictions. All other trademarks, product names, and corporate names are the property of their respective owners and are used for informational purposes only.

