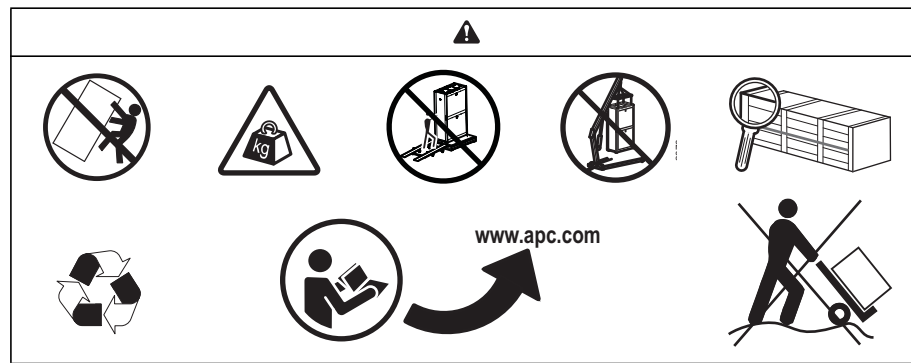
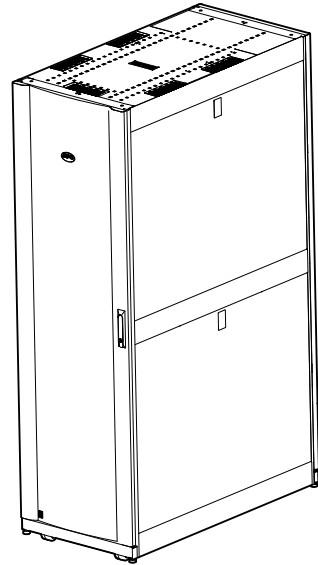


NetShelter™ HS Cabinet

Unpacking & Repacking Shock Packaging

AR9300SP, AR9387SP, AR9307SP, AR9180SP



NOTE: You must purchase a ramp (AR9000RAMP) to unload the cabinet.

⚠ WARNING

HEAVY EQUIPMENT HAZARD

- Verify that the installation site is structurally capable of supporting the combined weights of the cabinet and the installed equipment (see Weight table).
- Do not use eye bolts or other means to lift the cabinet.
- Use at least 4 people to unpack and move the cabinet.

Failure to follow these instructions can result in death, serious injury, or equipment damage.

Weight

	Cabinet Weight (unloaded)
AR9300SP	185 kg (407 lb)
AR9307SP	201 kg (444 lb)
AR9387SP	236 kg (520 lb)
AR9180SP	193 kg (425 lb)



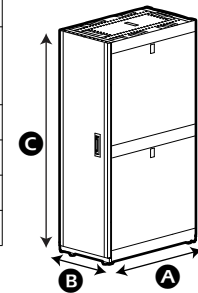
Maximum Installed Equipment Weight

Shipping: 1588 kg (3500 lb)
Rolling: 1588 kg (3500 lb)
Static*: 1928 kg (4250 lb)

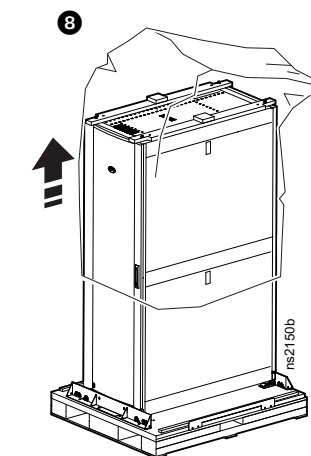
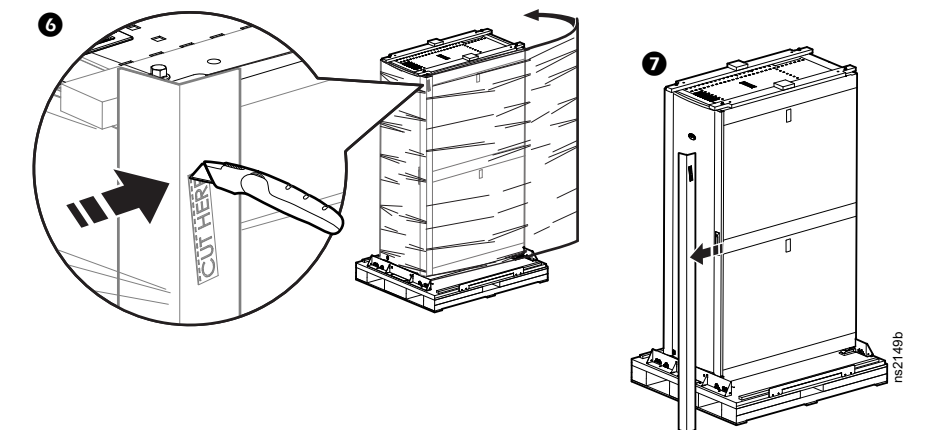
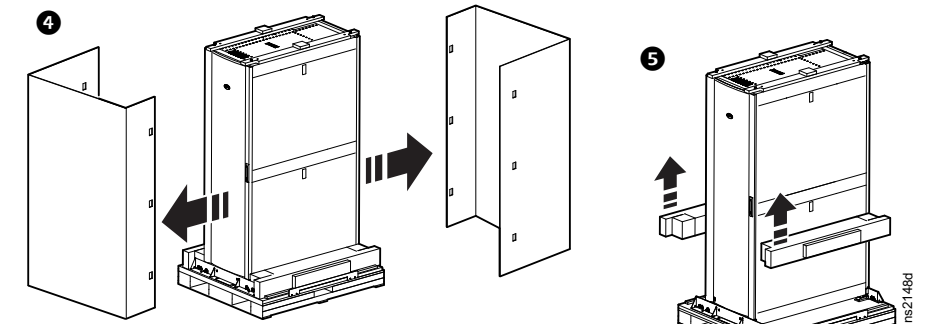
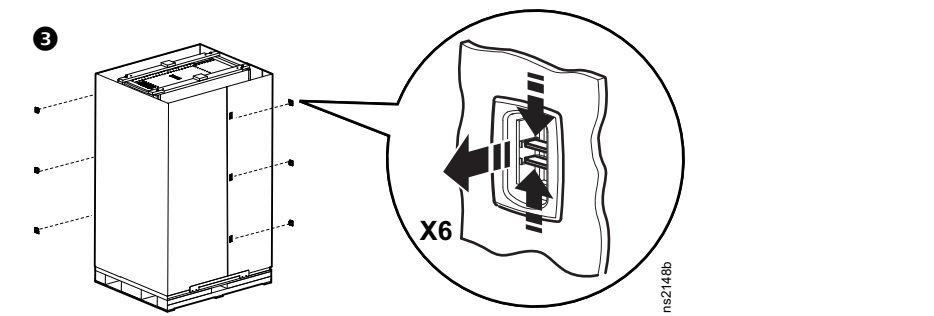
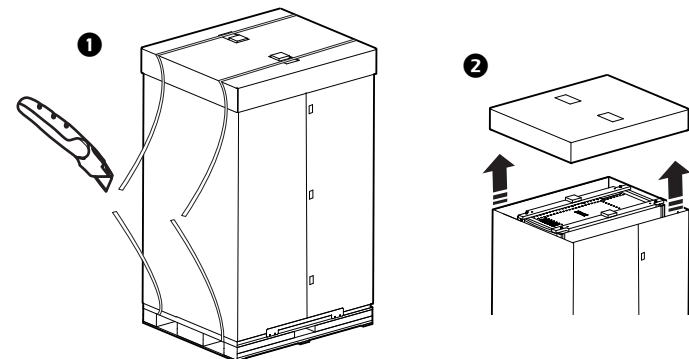
*Lower the leveling feet before installing more than 1588 kg (3500 lb).

Dimensions

	Depth A		Width B		Height C	
	1070 mm (42.1 in.)	1200 mm (47.2 in.)	600 mm (23.6 in.)	800 mm (31.5 in.)	1991 mm (78.4 in.)	2258 mm (88.9 in.)
					42U	48 U
AR9300SP	●	●	●	●	●	●
AR9307SP	●	●	●	●	●	●
AR9387SP	●	●	●	●	●	●
AR9180SP	●	●	●	●	●	●

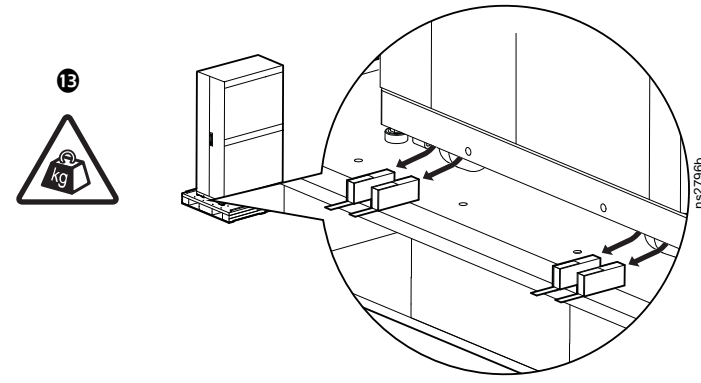
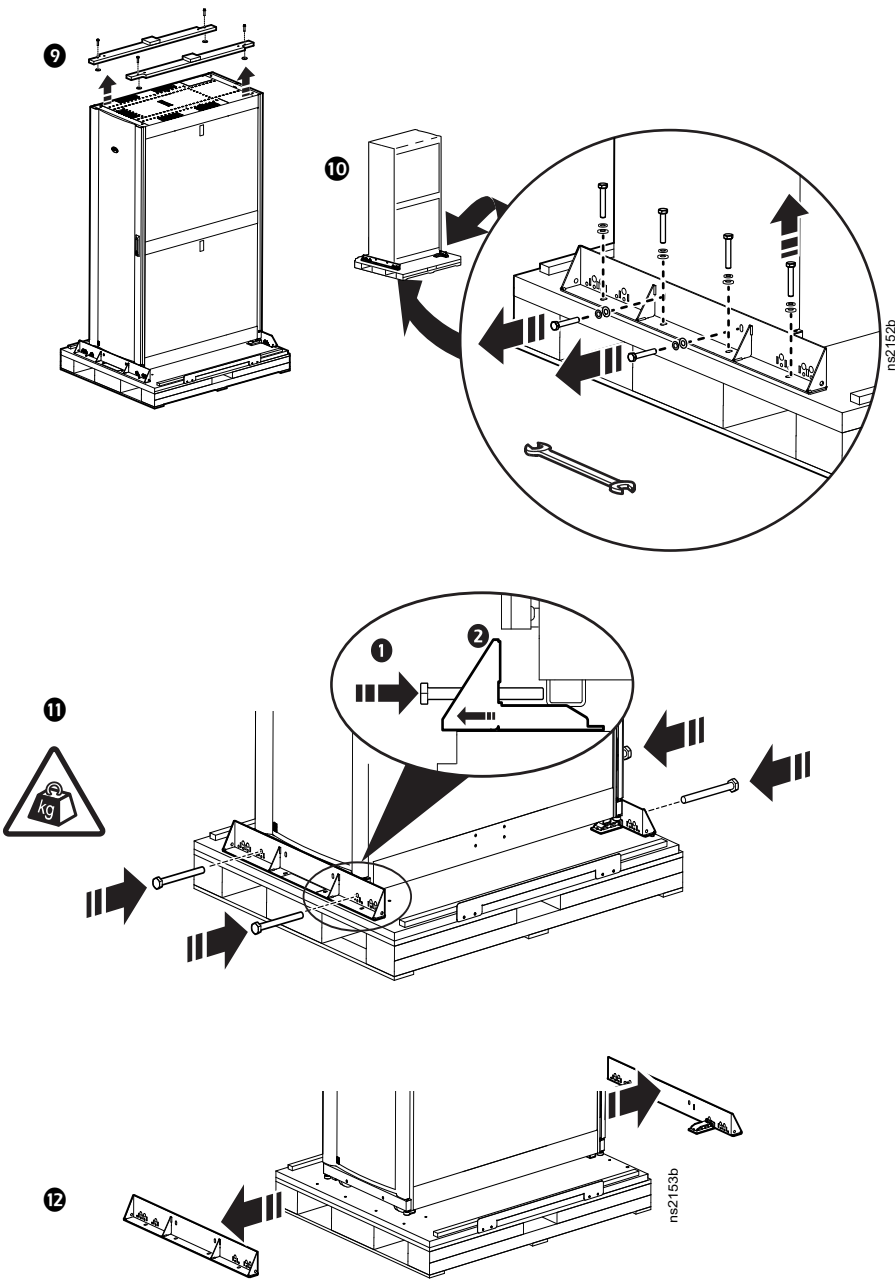


Unpacking Guide

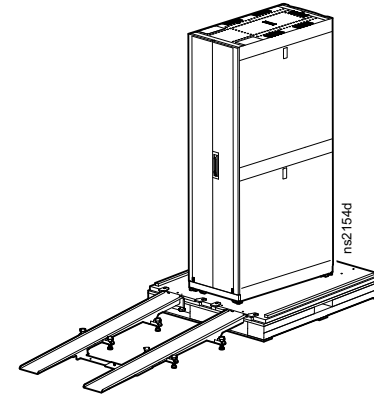


NOTE: System integrators stop the unpacking process at Step 8. Install your equipment, then follow the Repacking Instructions on side 2 of this sheet.

Unpacking Guide (continued)



13 Attach the ramp (AR9000RAMP, not provided) to the pallet near the rear of the cabinet. See the ramp documentation for instructions.

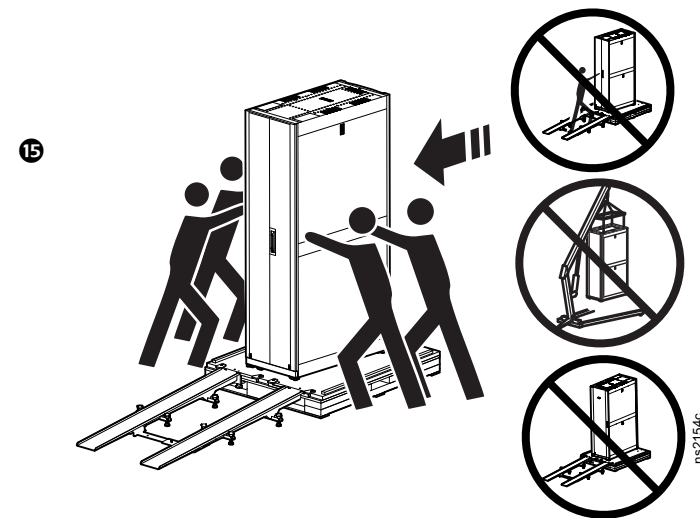


⚠ WARNING

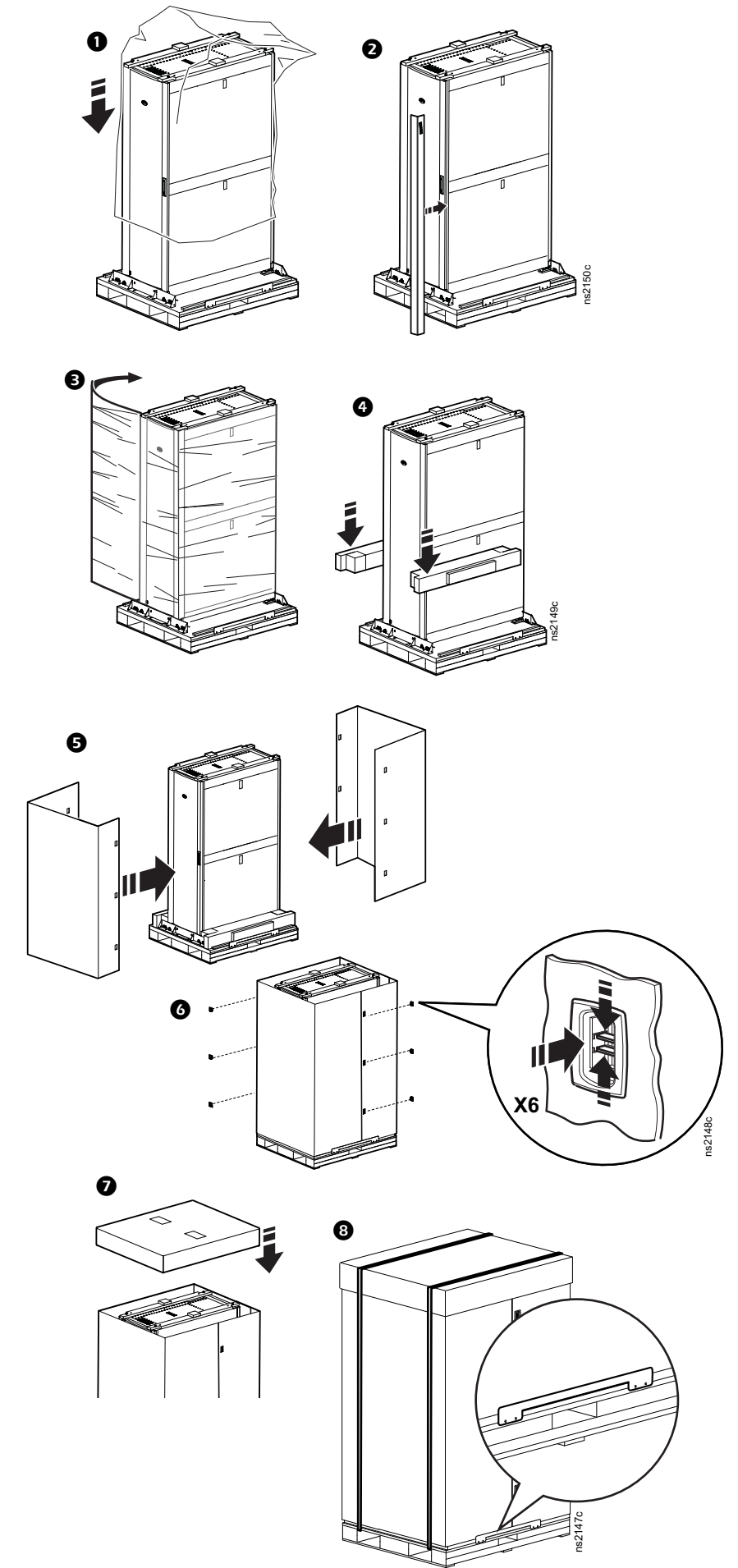
HEAVY EQUIPMENT/TIP HAZARD

- Do not use eye bolts or other means to lift the cabinet.
- This cabinet is easily tipped. Use extreme caution when moving.
- Use at least four people to unpack and move the cabinet.
- Before moving the cabinet on its casters, load 158 kg (348 lbs) of equipment into the bottom of the cabinet for extra stability.
- When moving the cabinet on its casters:
 - Make sure the leveling feet are up.
 - Ensure that movers are positioned at the sides of the cabinet and that no people or objects are in the path of the cabinet.
 - Push the cabinet only forward or backward. Never push the cabinet sideways.

Failure to follow these instructions can result in death, serious injury, or equipment damage.



Repacking Guide



Worldwide Customer Support

Contact www.apc.com for more information.