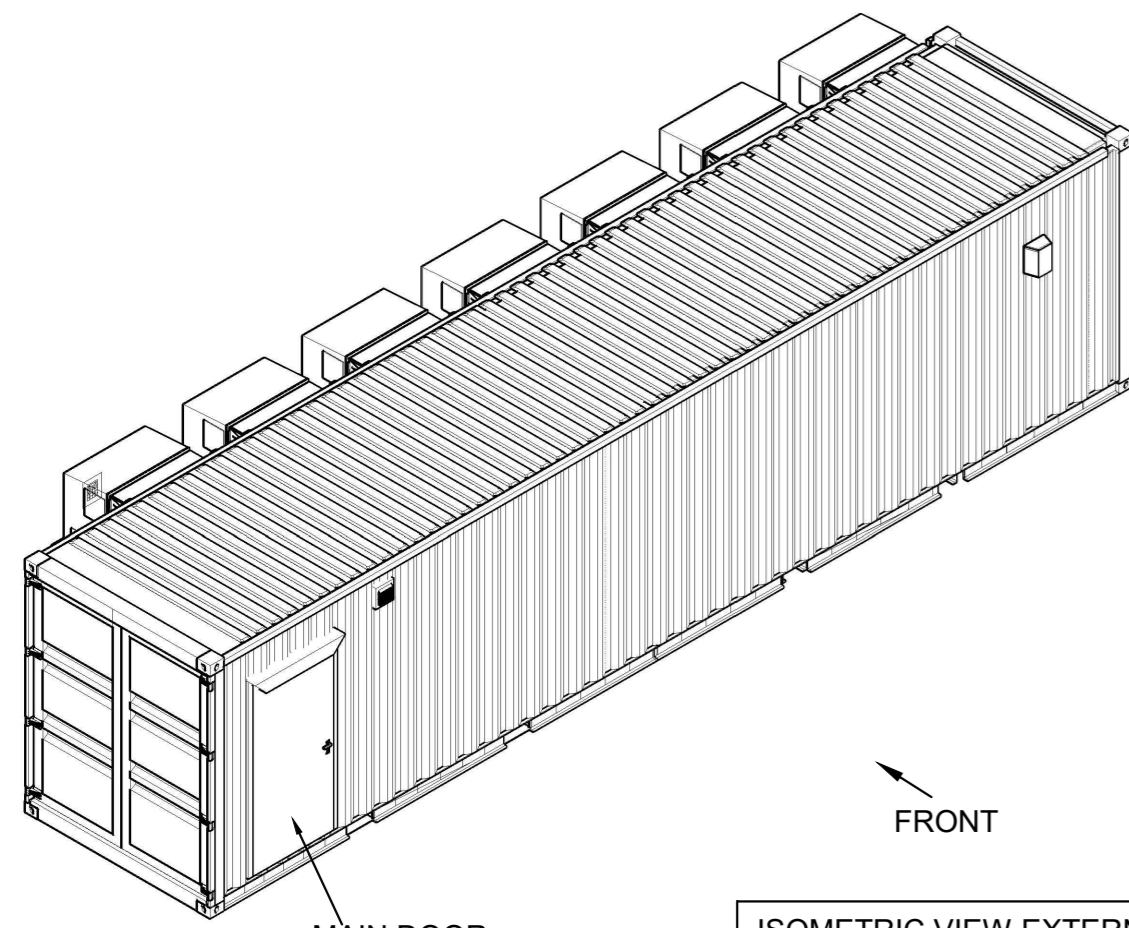


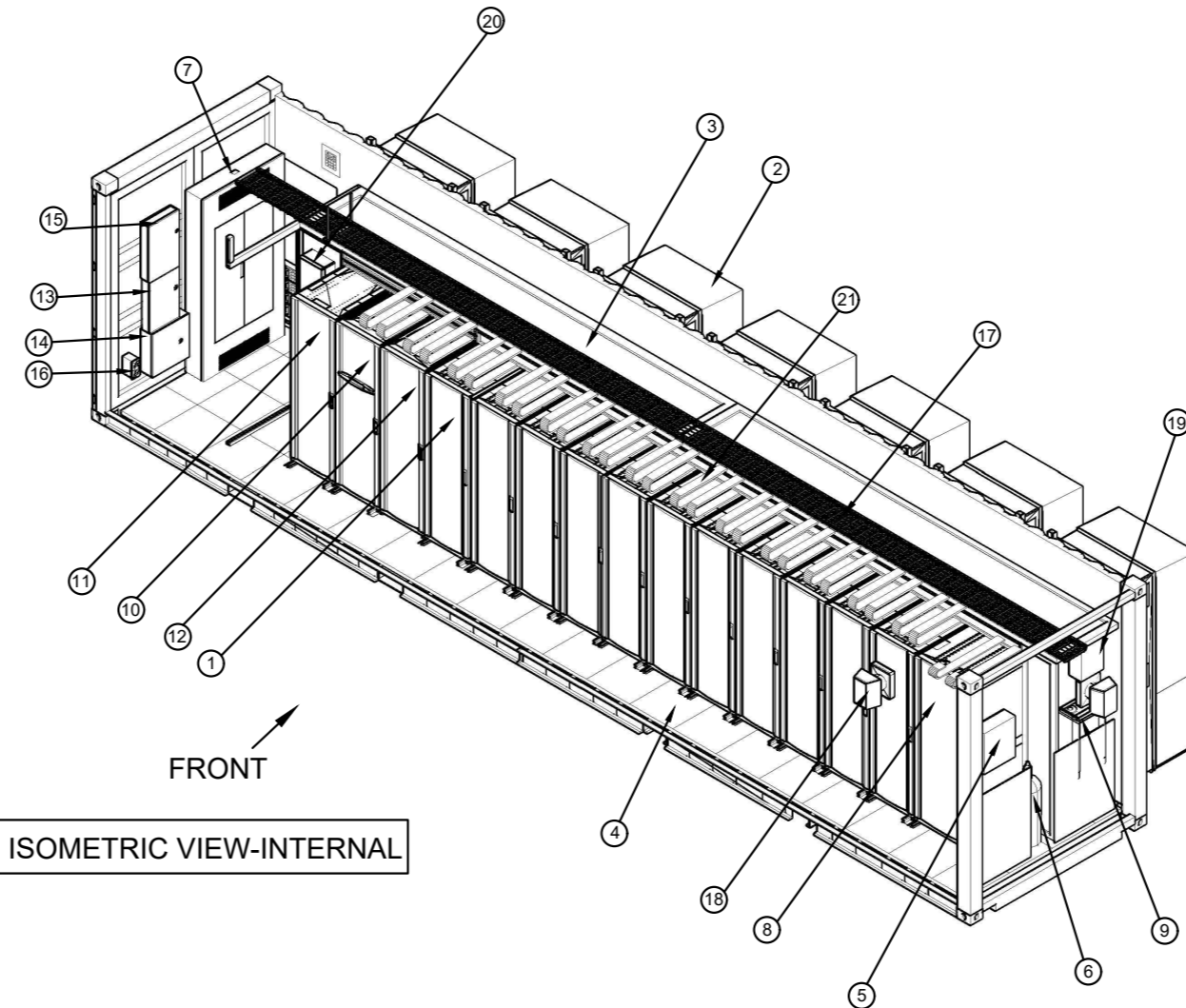
**NOT FOR CONSTRUCTION**

\* - UNLESS OTHERWISE SPECIFIED QUANTITY IS ONE

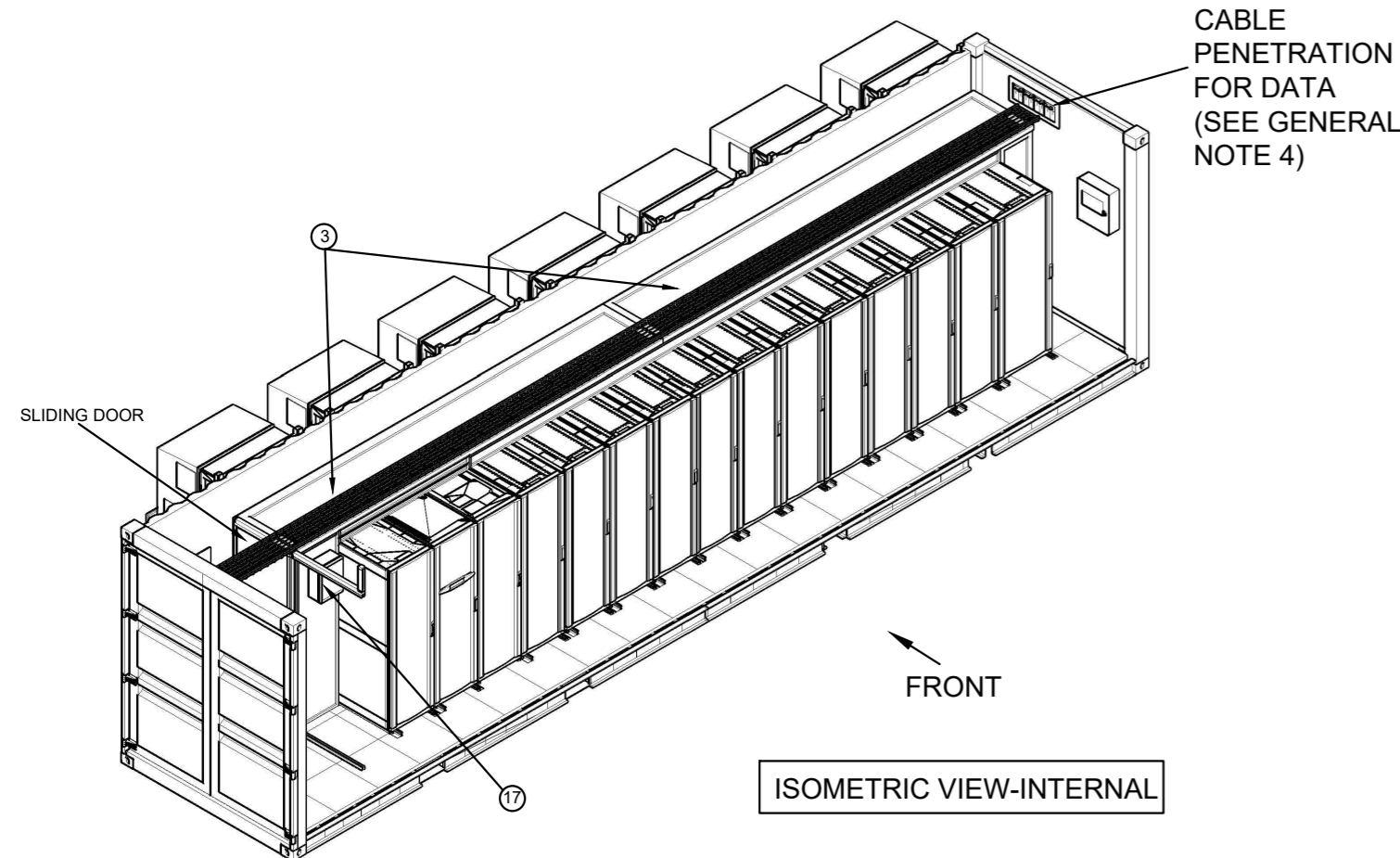
| SL.NO. | DESCRIPTION *                                     |
|--------|---------------------------------------------------|
| 1      | IT Racks-(qty 11) 42Ux600x1200                    |
| 2      | Wallmount Cooling Unit with Damper - BARD #W72    |
| 3      | Hot Aisle Containment                             |
| 4      | Cold Aisle                                        |
| 5      | Fire Alarm Control Panel                          |
| 6      | Fire Suppression Cylinder                         |
| 7      | 208V Main Distribution Panel(Service Entrance)    |
| 8      | Networking IT Rack-(qty 1) 42Ux750x1200           |
| 9      | Humidifier(Optional)                              |
| 10     | Symmetra PX100 UPS                                |
| 11     | XR Battery Cabinet for Symmetra PX100 UPS         |
| 12     | Power Distribution Cabinet for Symmetra PX100 UPS |
| 13     | Generator Annunciator Panel(Optional)             |
| 14     | Control Panel                                     |
| 15     | Access Control Panel(Optional)                    |
| 16     | 120V Receptacle(Typical)                          |
| 17     | Cable Tray(Typical)                               |
| 18     | Energy Recovery Ventilator with Damper System     |
| 19     | Climate Controller(Optional)                      |
| 20     | DX-Control Panel                                  |
| 21     | E-Chains(Typical)                                 |



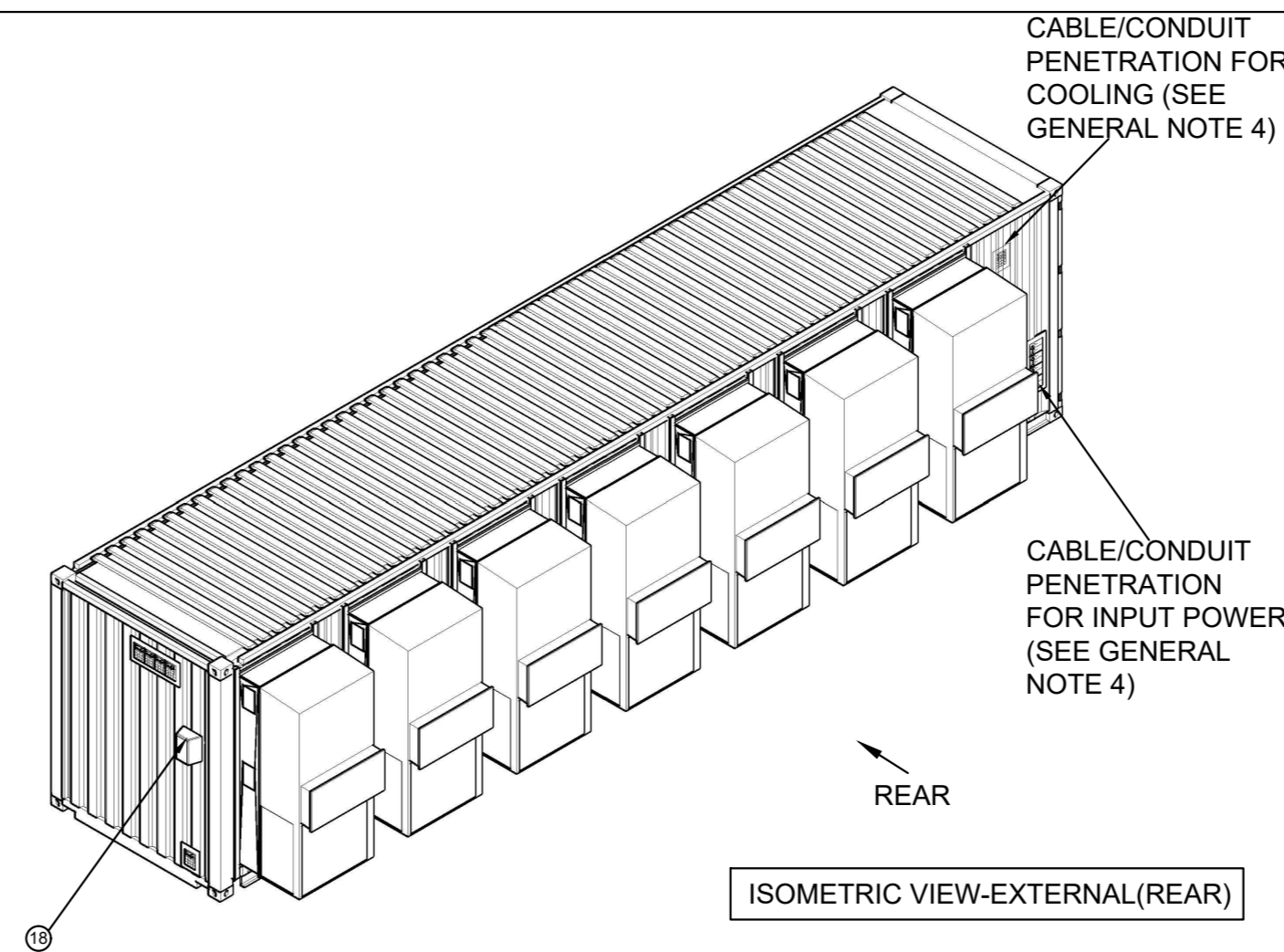
ISOMETRIC VIEW-EXTERNAL(FRONT)



ISOMETRIC VIEW-INTERNAL



ISOMETRIC VIEW-INTERNAL



ISOMETRIC VIEW-EXTERNAL(REAR)

**GENERAL NOTES:**

1. INSTALLATION SHALL COMPLY WITH ALL APPLICABLE NATIONAL, STATE AND LOCAL CODES.
2. PLEASE REFER TO PRODUCT DOCUMENTATION FOR FURTHER INFORMATION.
3. UNLESS OTHERWISE SPECIFIED, ALL DIMENSIONS ARE IN INCHES[MILLIMETERS].
4. REFER TO ELECTRICAL DRAWINGS FOR OBTAINING CONDUIT SIZES AND THE EXACT LOCATIONS OF CABLE/CONDUIT PENETRATIONS FOR INPUT POWER, DATA CABLES AND COOLING SYSTEM.
5. REFER TO THE ELECTRICAL DRAWINGS FOR SPECIFIC DETAILS ON THE ELECTRICAL SYSTEM.

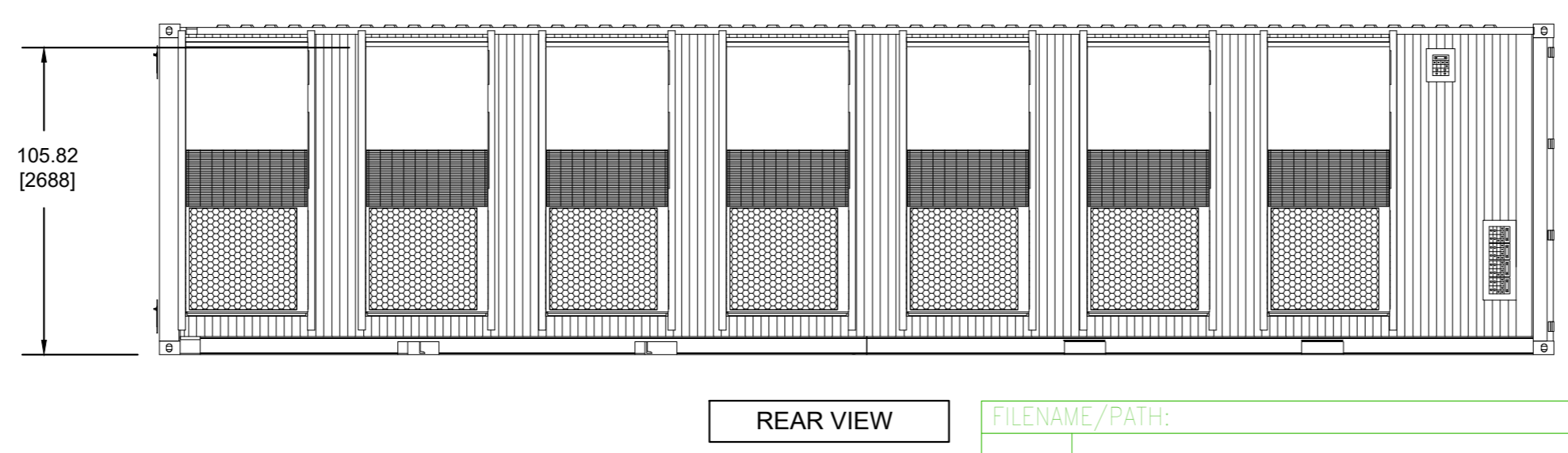
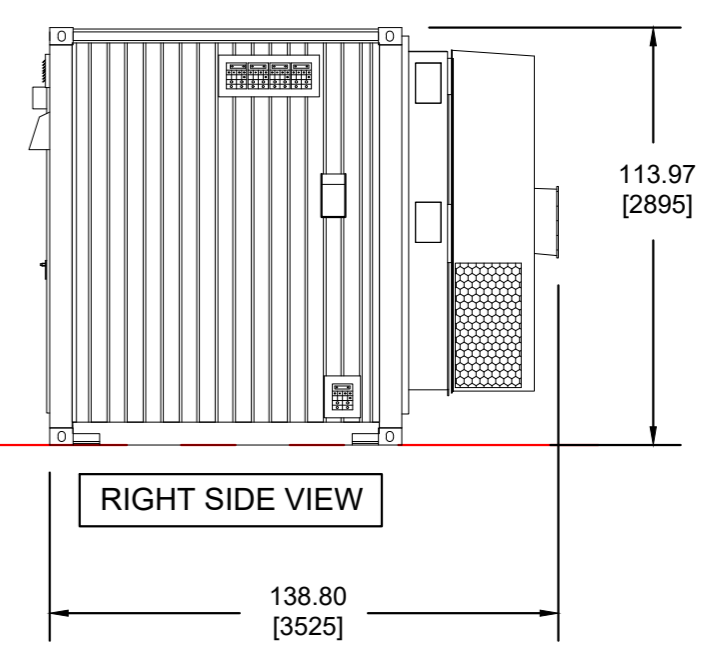
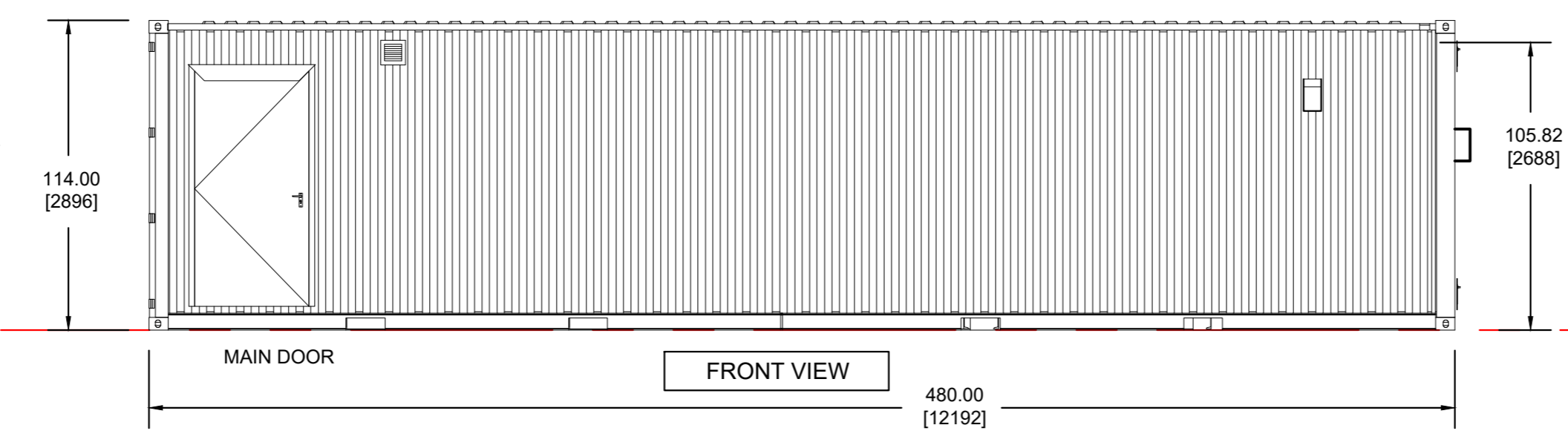
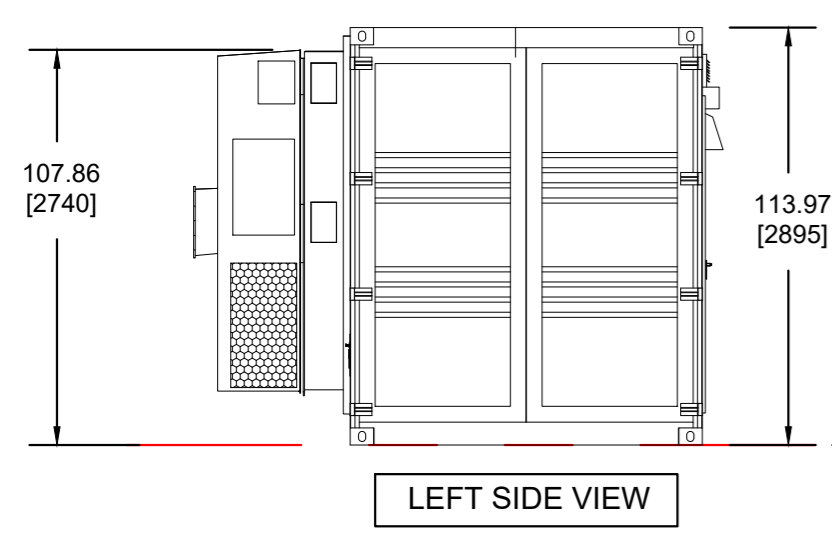
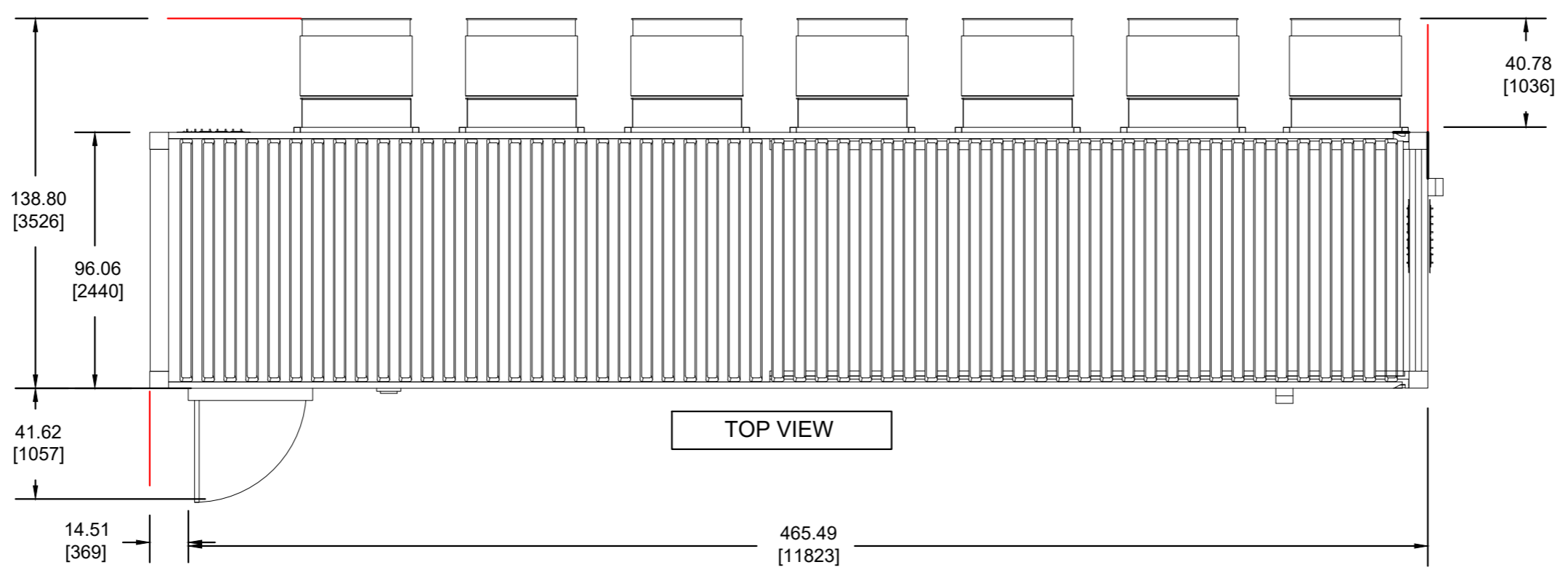
| REV | DESCRIPTION                                                           | DRWN | DATE      | ENGR | DATE | APPR | DATE |
|-----|-----------------------------------------------------------------------|------|-----------|------|------|------|------|
| 0   | THIS DRAWING IS BASED ON DRAWING NUMBER PLACEHOLDER - INITIAL RELEASE |      | DD-MMM-YY |      |      |      |      |

| REVISIONS                                                                                                                                                                                                                                                                                                                                             |                                                                                                                                                                                                                                                                                                                                                              |
|-------------------------------------------------------------------------------------------------------------------------------------------------------------------------------------------------------------------------------------------------------------------------------------------------------------------------------------------------------|--------------------------------------------------------------------------------------------------------------------------------------------------------------------------------------------------------------------------------------------------------------------------------------------------------------------------------------------------------------|
| THIS DRAWING AND SPECIFICATIONS HEREIN ARE THE PROPERTY OF SCHNEIDER ELECTRIC AND SHALL NOT BE COPIED, REPRODUCED OR USED IN WHOLE OR IN PART, AS THE BASIS FOR THE MANUFACTURE OR SALE OF ITEMS WITHOUT WRITTEN PERMISSION FROM SCHNEIDER ELECTRIC. THIS DRAWING IS BASED UPON LATEST AVAILABLE INFORMATION AND IS SUBJECT TO CHANGE WITHOUT NOTICE. | <p><b>Schneider Electric</b></p> <p>TITLE: PREFAB CONFIGURATION-10<br/>75KW(N+1), ROOM COOLING, 12 RACKS<br/>INPUT - 208V,3PH,4W<br/>ISOMETRIC VIEWS</p> <p>DWG NO: PFMIEC075W1N12D REV: A/0</p> <p>PROJECT: PREFAB SHEET 1 OF 3</p> <p>DRWN: K.NAGENDRA 31-JAN-20<br/>ENGR: X XXX DD-MMM-YY<br/>APPROVED: X XXX DD-MMM-YY</p> <p>THIRD ANGLE PROJECTION</p> |



NOT FOR CONSTRUCTION

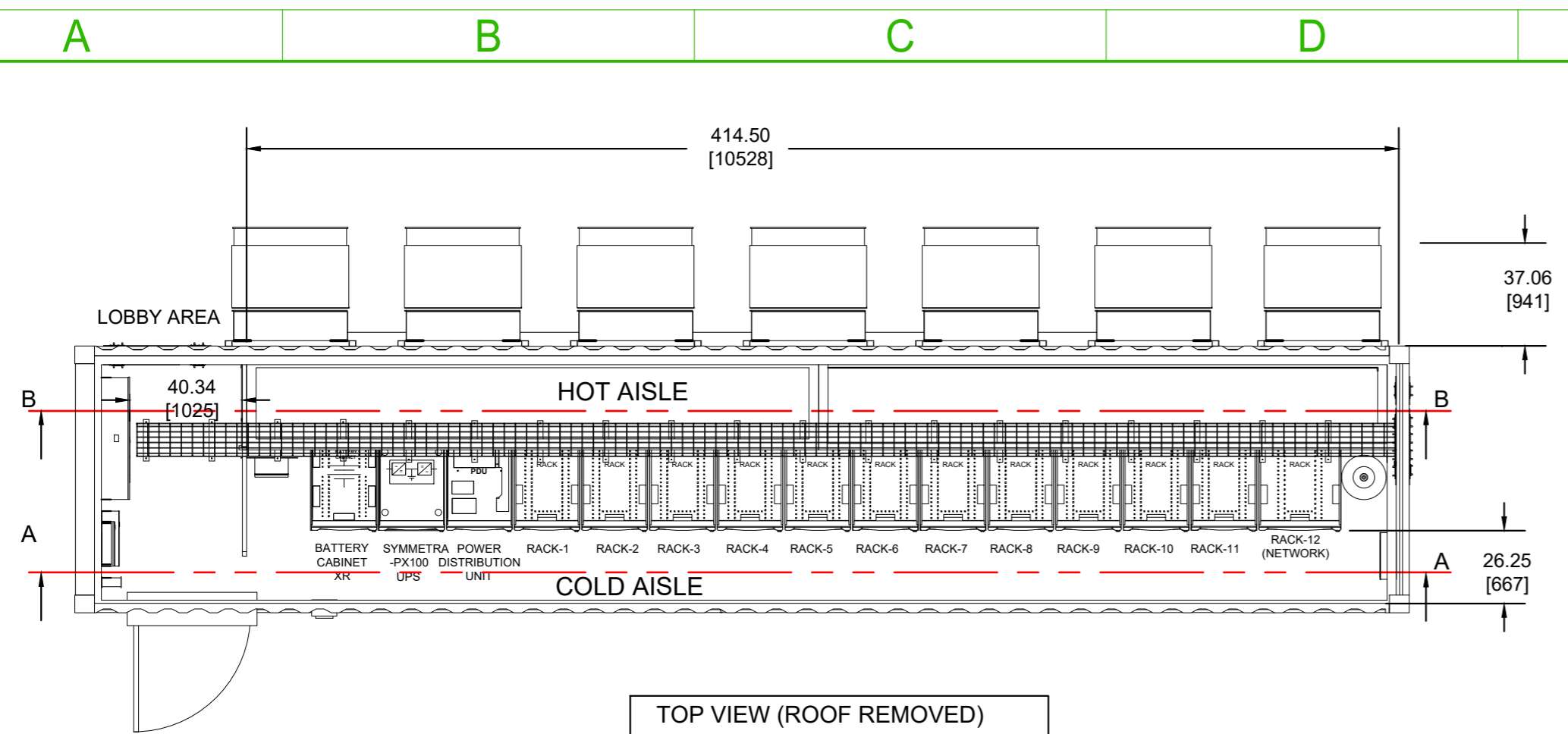


**GENERAL NOTES:**

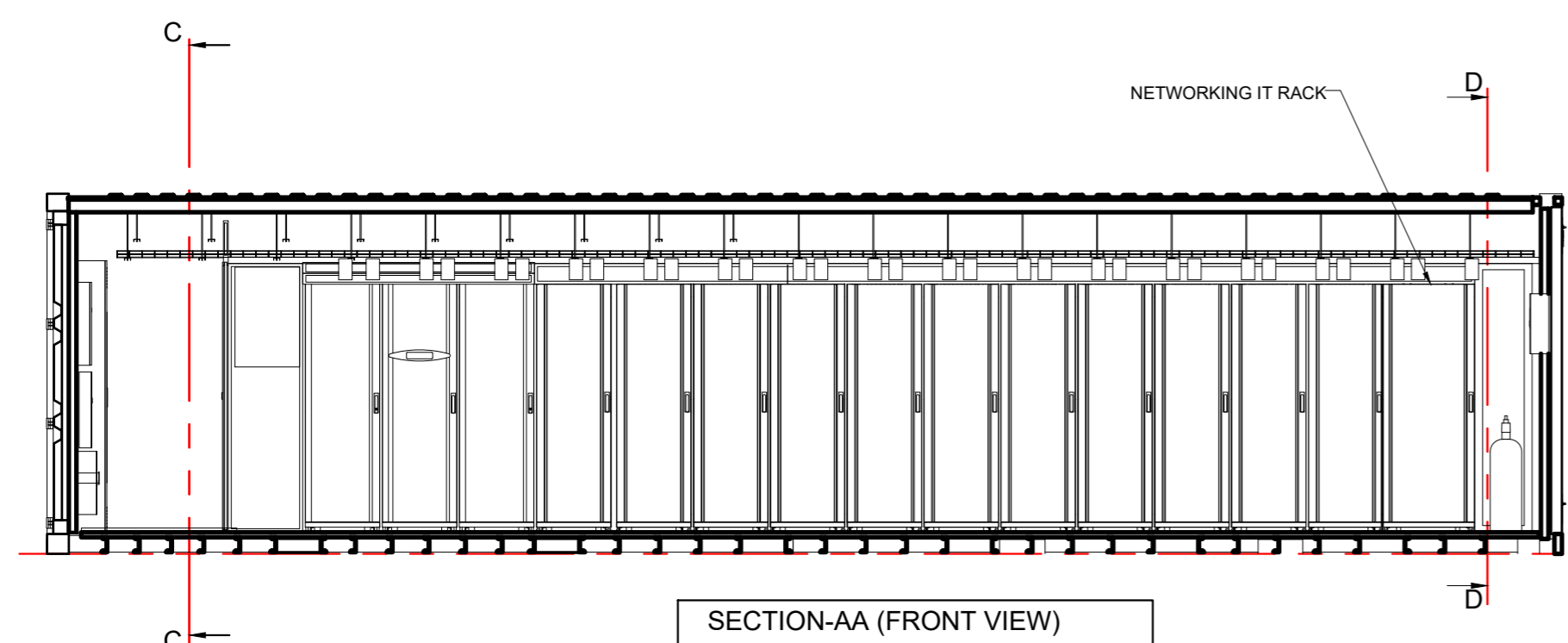
1. INSTALLATION SHALL COMPLY WITH ALL APPLICABLE NATIONAL, STATE AND LOCAL CODES.
2. PLEASE REFER TO PRODUCT DOCUMENTATION FOR FURTHER INFORMATION.
3. UNLESS OTHERWISE SPECIFIED, ALL DIMENSIONS ARE IN INCHES[MILLIMETERS].
4. REFER TO ELECTRICAL DRAWINGS FOR OBTAINING CONDUIT SIZES AND THE EXACT LOCATIONS OF CABLE/CONDUIT PENETRATIONS FOR INPUT POWER, DATA CABLES AND COOLING SYSTEM.
5. REFER TO THE ELECTRICAL DRAWINGS FOR SPECIFIC DETAILS ON THE ELECTRICAL SYSTEM.

| FILENAME/PATH:                                                                                                                                                                                                                                                                                                                                        |                                                                       |              |      |                                                                                                                                           |      |                                                               |
|-------------------------------------------------------------------------------------------------------------------------------------------------------------------------------------------------------------------------------------------------------------------------------------------------------------------------------------------------------|-----------------------------------------------------------------------|--------------|------|-------------------------------------------------------------------------------------------------------------------------------------------|------|---------------------------------------------------------------|
| 0                                                                                                                                                                                                                                                                                                                                                     | THIS DRAWING IS BASED ON DRAWING NUMBER PLACEHOLDER - INITIAL RELEASE |              |      |                                                                                                                                           |      | DD-MMM-YY                                                     |
| REV                                                                                                                                                                                                                                                                                                                                                   | DESCRIPTION                                                           | DRWN         | DATE | ENGR                                                                                                                                      | DATE | APPR                                                          |
| REVISIONS                                                                                                                                                                                                                                                                                                                                             |                                                                       |              |      |                                                                                                                                           |      |                                                               |
| THIS DRAWING AND SPECIFICATIONS HEREIN ARE THE PROPERTY OF SCHNEIDER ELECTRIC AND SHALL NOT BE COPIED, REPRODUCED OR USED IN WHOLE OR IN PART, AS THE BASIS FOR THE MANUFACTURE OR SALE OF ITEMS WITHOUT WRITTEN PERMISSION FROM SCHNEIDER ELECTRIC. THIS DRAWING IS BASED UPON LATEST AVAILABLE INFORMATION AND IS SUBJECT TO CHANGE WITHOUT NOTICE. |                                                                       |              |      | TITLE: PREFAB CONFIGURATION-10<br>75KW(N+1), ROOM COOLING, 12 RACKS<br>INPUT - 208V,3PH,4W<br>OUTPUT - 208V,3PH,4W<br>GENERAL ARRANGEMENT |      | DWG NO: PFMIEC075W1N12D<br>REV: A/0                           |
| PROJECT: PREFAB                                                                                                                                                                                                                                                                                                                                       |                                                                       | SHEET 2 OF 3 |      | DRAWN: K.NAGENDRA<br>ENGINEER: X XXX<br>APPROVED: X XXX                                                                                   |      | 31-JAN-20<br>DD-MMM-YY<br>DD-MMM-YY<br>THIRD ANGLE PROJECTION |

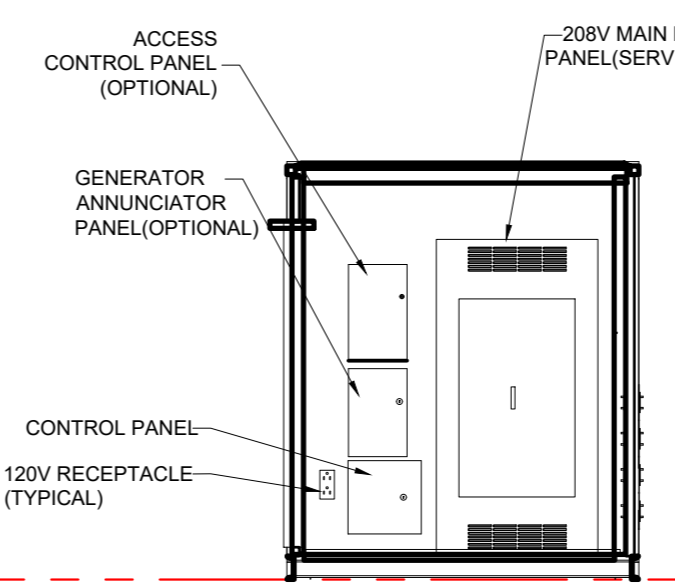
NOT FOR CONSTRUCTION



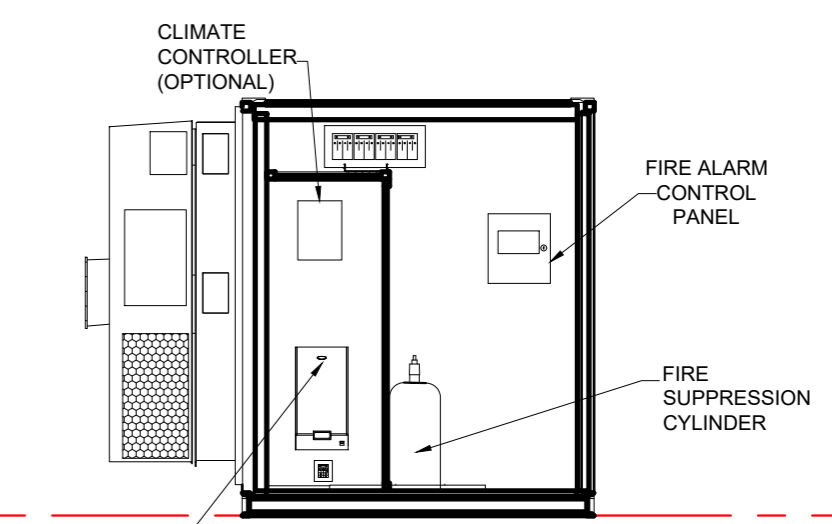
TOP VIEW (ROOF REMOVED)



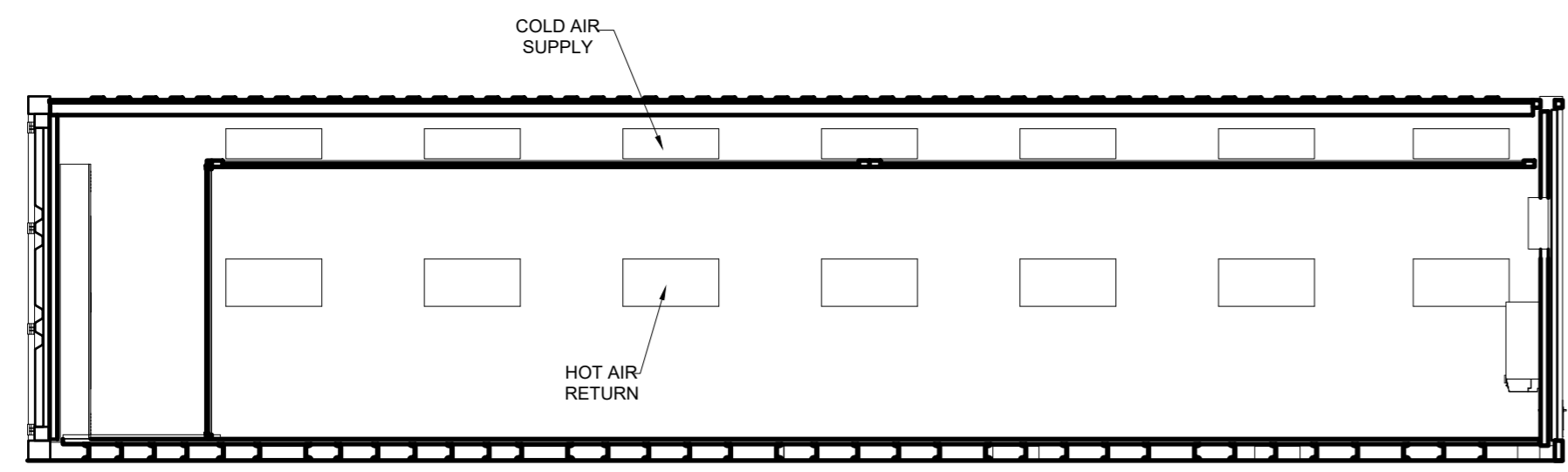
SECTION-AA (FRONT VIEW)



SECTION-CC (LOBBY AREA)



SECTION-DD (RIGHT WALL)



SECTION-BB (AIR INLET AND DISCHARGE)

**GENERAL NOTES:**

1. INSTALLATION SHALL COMPLY WITH ALL APPLICABLE NATIONAL, STATE AND LOCAL CODES.
2. PLEASE REFER TO PRODUCT DOCUMENTATION FOR FURTHER INFORMATION.
3. UNLESS OTHERWISE SPECIFIED, ALL DIMENSIONS ARE IN INCHES[MILLIMETERS].
4. REFER TO ELECTRICAL DRAWINGS FOR OBTAINING CONDUIT SIZES AND THE EXACT LOCATIONS OF CABLE/CONDUIT PENETRATIONS FOR INPUT POWER, DATA CABLES AND COOLING SYSTEM.
5. REFER TO THE ELECTRICAL DRAWINGS FOR SPECIFIC DETAILS ON THE ELECTRICAL SYSTEM.

| FILENAME/PATH:                                                                                                                                                                                                                                                                                                                                        |                                                                       |                           |      |                                                                                                                                       |      |                         |      |                        |  |  |
|-------------------------------------------------------------------------------------------------------------------------------------------------------------------------------------------------------------------------------------------------------------------------------------------------------------------------------------------------------|-----------------------------------------------------------------------|---------------------------|------|---------------------------------------------------------------------------------------------------------------------------------------|------|-------------------------|------|------------------------|--|--|
| 0                                                                                                                                                                                                                                                                                                                                                     | THIS DRAWING IS BASED ON DRAWING NUMBER PLACEHOLDER - INITIAL RELEASE |                           |      |                                                                                                                                       |      |                         |      | DD-MMM-YY              |  |  |
| REV                                                                                                                                                                                                                                                                                                                                                   | DESCRIPTION                                                           | DRWN                      | DATE | ENGR                                                                                                                                  | DATE | APPR                    | DATE |                        |  |  |
| REVISIONS                                                                                                                                                                                                                                                                                                                                             |                                                                       |                           |      |                                                                                                                                       |      |                         |      |                        |  |  |
| THIS DRAWING AND SPECIFICATIONS HEREIN ARE THE PROPERTY OF SCHNEIDER ELECTRIC AND SHALL NOT BE COPIED, REPRODUCED OR USED IN WHOLE OR IN PART, AS THE BASIS FOR THE MANUFACTURE OR SALE OF ITEMS WITHOUT WRITTEN PERMISSION FROM SCHNEIDER ELECTRIC. THIS DRAWING IS BASED UPON LATEST AVAILABLE INFORMATION AND IS SUBJECT TO CHANGE WITHOUT NOTICE. |                                                                       | <b>Schneider Electric</b> |      | TITLE: PREFAB CONFIGURATION-10<br>75KW(N+1), ROOM COOLING, 12 RACKS<br>INPUT - 208V,3PH,4W<br>OUTPUT - 208V,3PH,4W<br>SECTIONAL VIEWS |      | DWG NO: PFMIEC075W1N12D |      | REV: A/0               |  |  |
| PROJECT: PREFAB                                                                                                                                                                                                                                                                                                                                       |                                                                       | SHEET 3 OF 3              |      | DRAWN: K.NAGENDRA                                                                                                                     |      | 31-JAN-20               |      | THIRD ANGLE PROJECTION |  |  |
|                                                                                                                                                                                                                                                                                                                                                       |                                                                       |                           |      | ENGINEER: X XXX                                                                                                                       |      | DD-MMM-YY               |      |                        |  |  |
|                                                                                                                                                                                                                                                                                                                                                       |                                                                       |                           |      | APPROVED: X XXX                                                                                                                       |      | DD-MMM-YY               |      |                        |  |  |