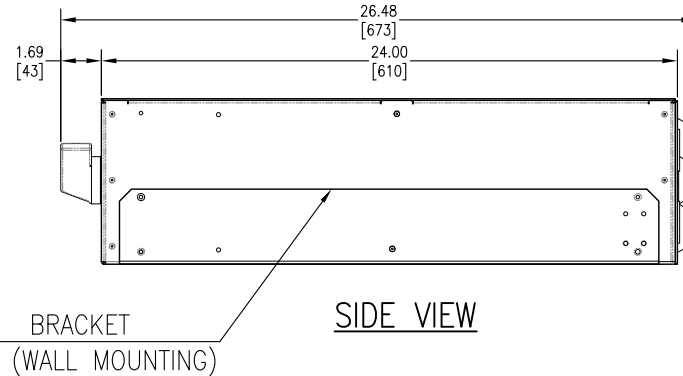
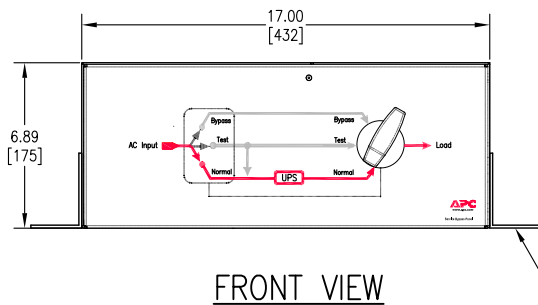
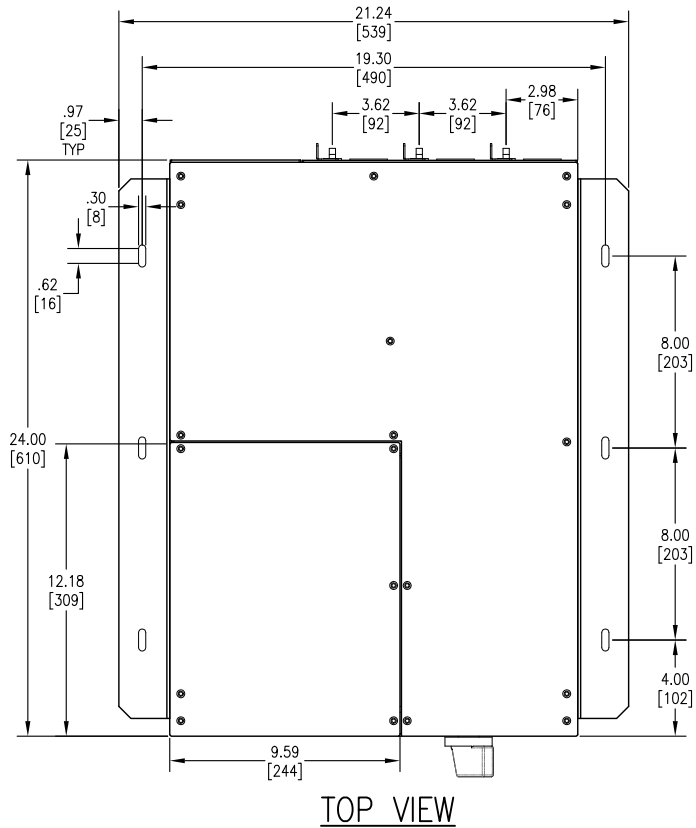
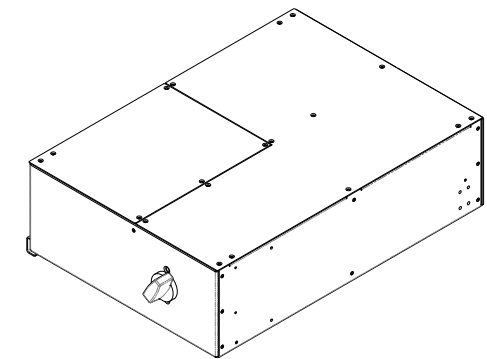
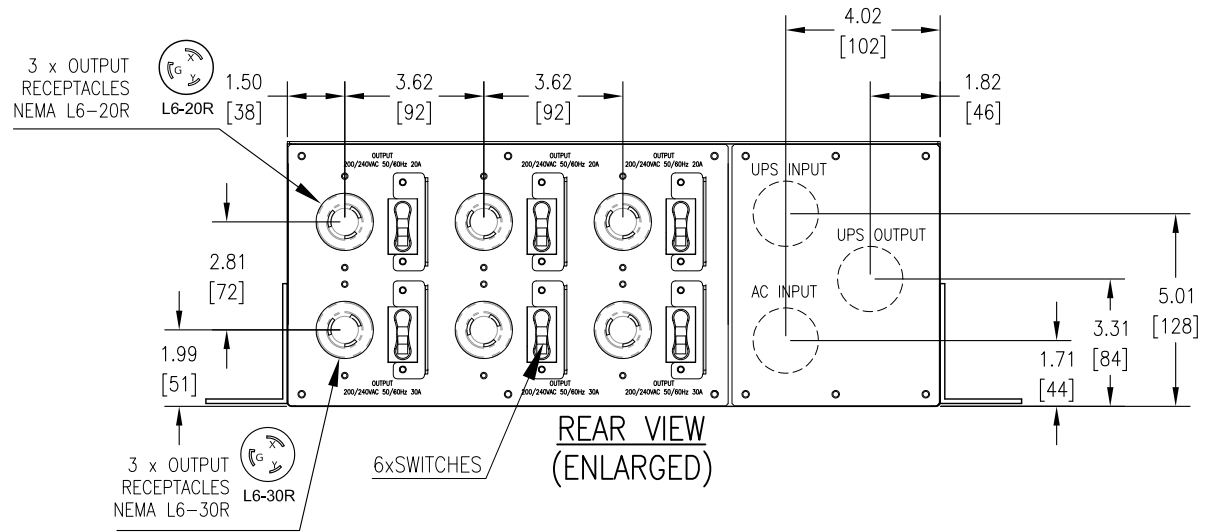
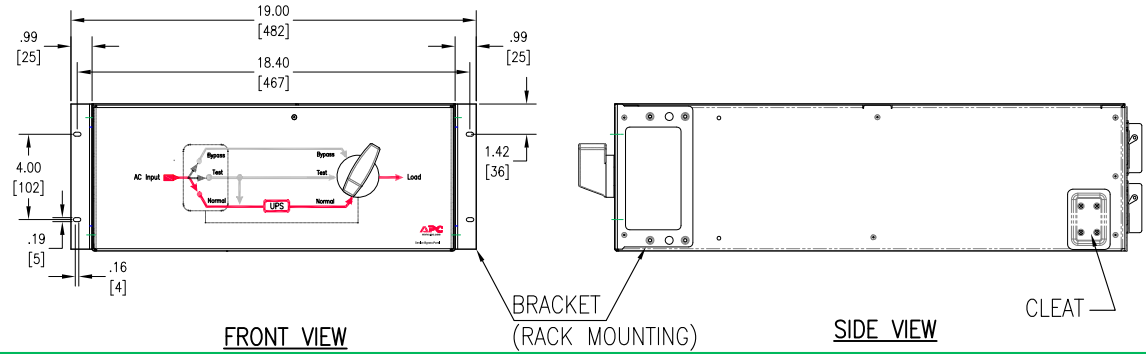


WITH WALL MOUNTING BRACKET



WITH RACK MOUNTING BRACKET



NOTES:

1. INSTALLATION SHALL COMPLY WITH ALL APPLICABLE NATIONAL, STATE AND LOCAL CODES
2. ALL DIMENSIONS ARE IN INCHES [MILLIMETERS].
3. WEIGHT OF UNIT IS 48 LBS [21.82kg]
4. CABLE ENTRY IS FROM REAR SIDE OF THE UNIT.

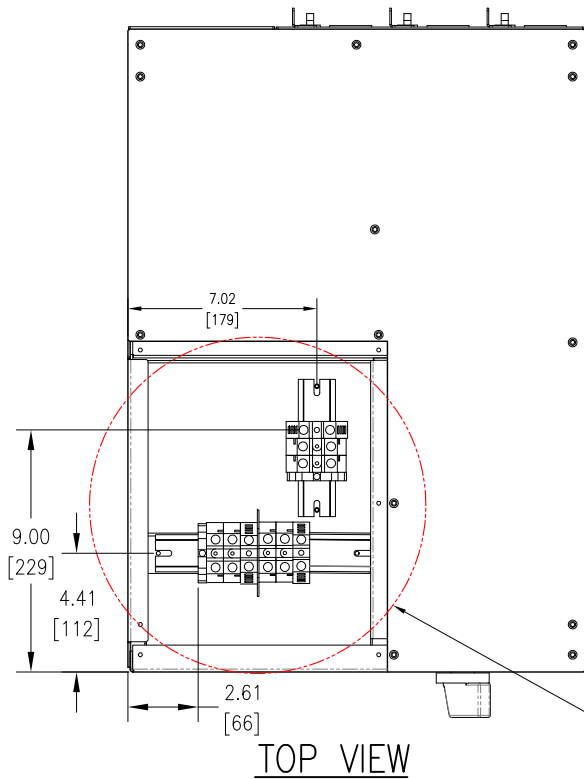
THIS DRAWING AND SPECIFICATIONS HEREIN ARE THE PROPERTY OF SCHNEIDER ELECTRIC AND SHALL NOT BE COPIED, REPRODUCED OR USED IN WHOLE OR IN PART, AS THE BASIS FOR THE MANUFACTURE OR SALE OF ITEMS WITHOUT WRITTEN PERMISSION FROM SCHNEIDER ELECTRIC. THIS DRAWING IS BASED UPON LATEST AVAILABLE INFORMATION AND IS SUBJECT TO CHANGE WITHOUT NOTICE.



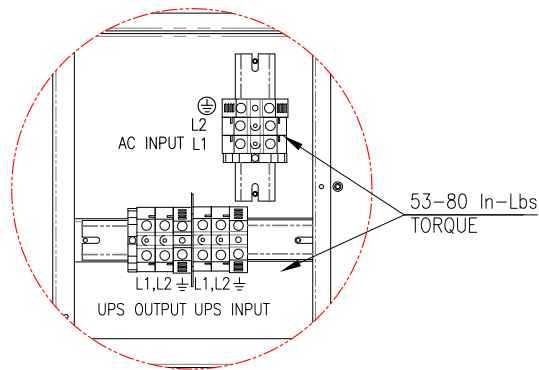
TITLE: MAINTENANCE BYPASS PANEL
 INPUT: HARDWARE, 200-240V, 1φ, 100A, MBB
 OUTPUT: (3) NEMA L6-20R & (3) L6-30R
 GENERAL MECHANICAL LAYOUT
 PROJECT: STD PRODUCT DRAWINGS SHEET 1 OF 3

DWG NO: SBP10KRMT4U
 DRAWN BY: NAGENDRA/M. CRAVEN 13-JUN-12
 ENGINEER: D. DESRUSSAUX/N. WHITING 13-JUN-12
 APPROVED BY: K. WHITE/B. MCKENNA 13-JUN-12

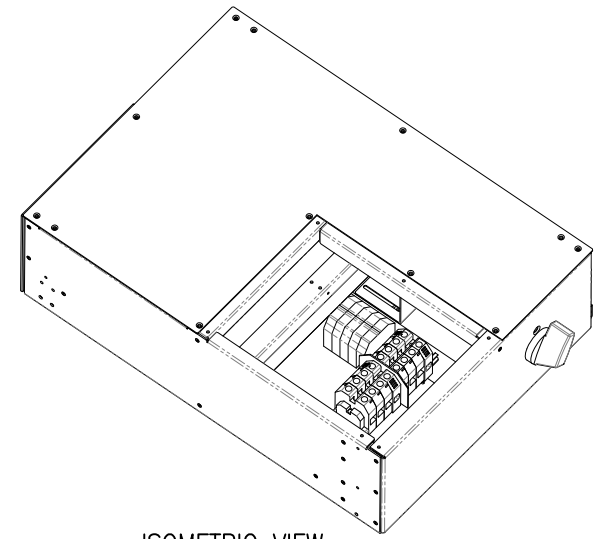
REV: 0
 3RD ANGLE PROJ



TOP VIEW

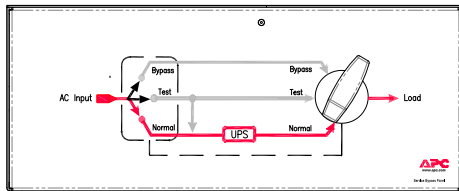


DETAIL-A
(TERMINAL BLOCK DETAILS)

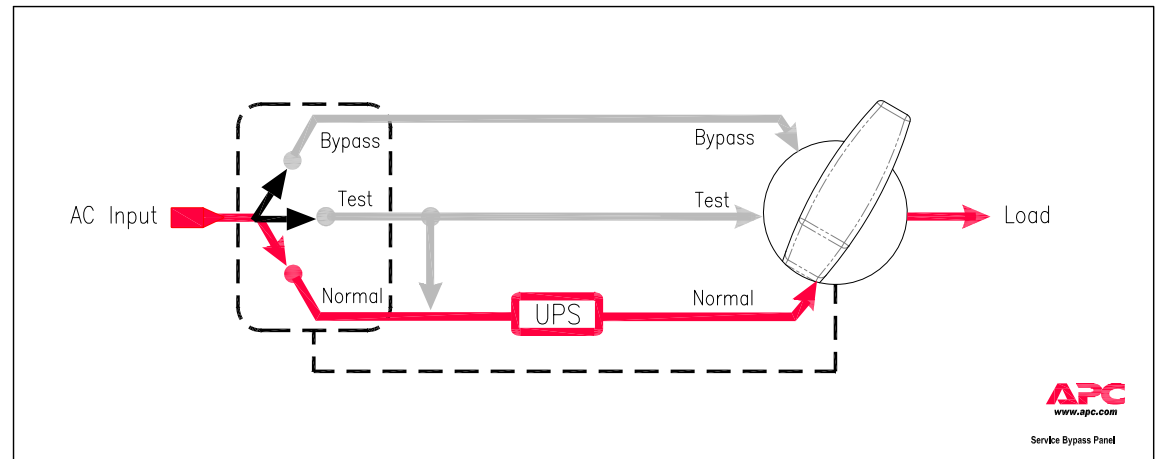


ISOMETRIC VIEW

△ 1
DETAIL-A
TERMINAL
BLOCK DETAILS



FRONT VIEW



POWER FLOW DIAGRAM

NOTES:

1. INSTALLATION MUST COMPLY WITH ALL APPLICABLE NATIONAL AND LOCAL CODES.
- △ 2. ALL DIMENSIONS ARE IN INCHES [MILLIMETERS].

THIS DRAWING AND SPECIFICATIONS HEREIN ARE THE PROPERTY OF SCHNEIDER ELECTRIC AND SHALL NOT BE COPIED, REPRODUCED OR USED IN WHOLE OR IN PART, AS THE BASIS FOR THE MANUFACTURE OR SALE OF ITEMS WITHOUT WRITTEN PERMISSION FROM SCHNEIDER ELECTRIC. THIS DRAWING IS BASED UPON LATEST AVAILABLE INFORMATION AND IS SUBJECT TO CHANGE WITHOUT NOTICE.



TITLE: MAINTENANCE BYPASS PANEL
INPUT: HARDWIRE, 200-240V, 1φ, 100A, MBB
OUTPUT: (3) NEMA L6-20R & (3) L6-30R
INTERNAL ELECTROMECHANICAL LAYOUT

PROJECT: STD PRODUCT DRAWINGS SHEET 2 OF 3

DWG NO: SBP10KRMT4U REV. 0

DRAWN BY: NAGENDRA/M. CRAVEN 13-JUN-12 3RD

ENGINEER: D. DESRUSSIS/WHITING 13-JUN-12 ANG

APPROVED BY: K. WHITE/B. MCKENNA 13-JUN-12 PROJ



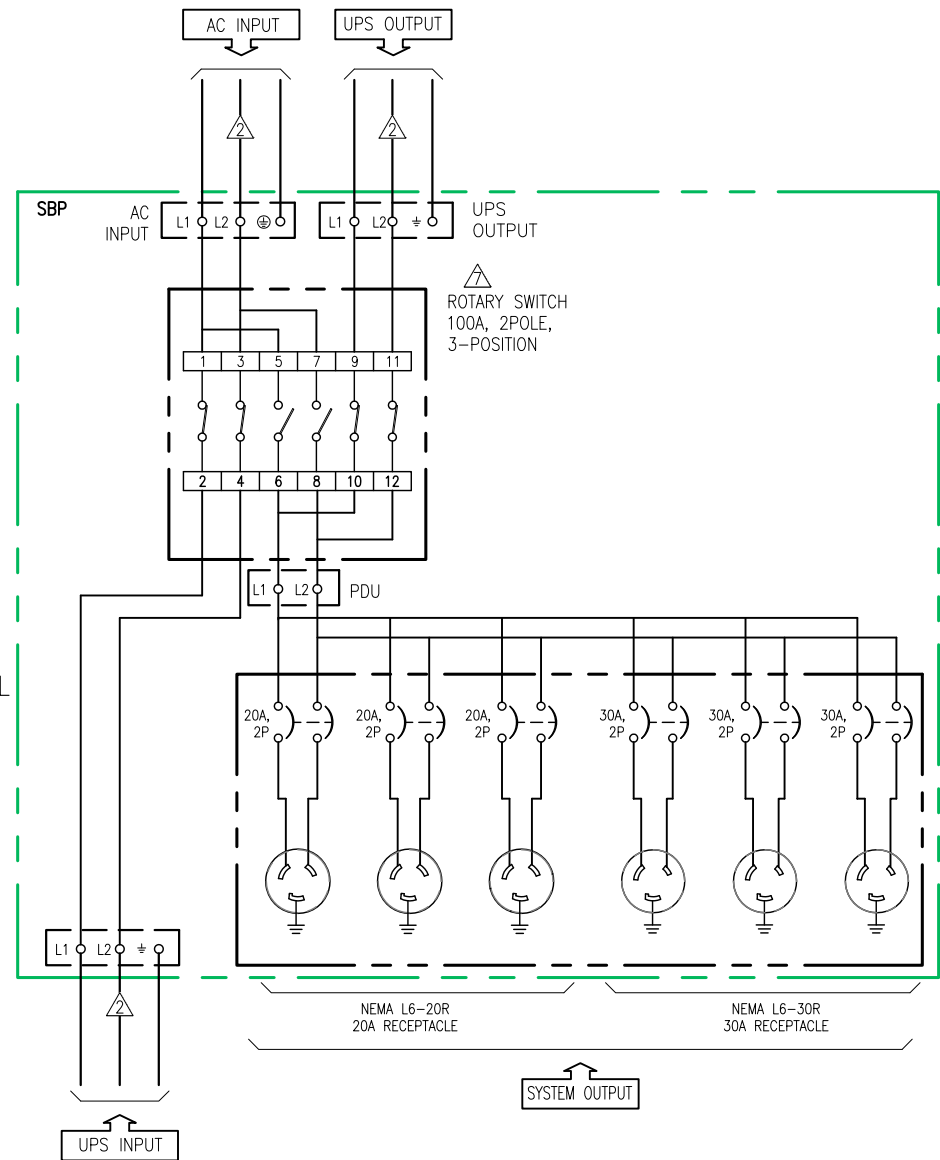
Service Bypass Panel

NOTES:

1. INSTALLATION SHALL COMPLY WITH ALL APPLICABLE NATIONAL, STATE AND LOCAL CODES.
- △ 2. TERMINALS LABELED L2 ARE CONNECTED TO AC INPUT NEUTRAL OR UPS INPUT/OUTPUT NEUTRAL WHEN UPS MODEL HAS LINE-NEUTRAL INPUT/OUTPUT.
3. UTILITY SOURCE: 1φ 200/208/240V, 50/60 Hz 2φ+G OR 1φ+N+G PROVIDED BY OTHERS.
4. UTILITY SOURCE MUST MATCH UPS POWER REQUIREMENTS.
5. ALL AC POWER CABLING EITHER 1WIRE+NEUTRAL+GROUND OR 2WIRE+GROUND, 200/208/240V AC SINGLE PHASE.
6. CONNECTIONS FOR BYPASS INPUT AND UPS INPUT/OUTPUT WILL BE DONE THROUGH HARD WIRING (HW)
- △ 7. ROTARY SWITCH CONFIGURATION:

SWITCH POSITION	SWITCH CONTACTS (CLOSED POSITION)
NORMAL	1-2, 3-4, 9-10, 11-12
TEST	1-2, 3-4, 5-6, 7-8
BYPASS	5-6, 7-8

ROTARY SWITCH POSITION SHOWN IN DRAWING IS FOR THE "NORMAL" POSITION



LINETYPE LEGEND

—————	MECHANICAL ENCLOSURE (MAIN ASSY.)
—————	MECHANICAL ENCLOSURE (SUBASSY.)
— — — —	TERMINAL BLOCK
—————	AC CABLING (PROVIDED BY OTHERS)

THIS DRAWING AND SPECIFICATIONS HEREIN ARE THE PROPERTY OF SCHNEIDER ELECTRIC AND SHALL NOT BE COPIED, REPRODUCED OR USED IN WHOLE OR IN PART, AS THE BASIS FOR THE MANUFACTURE OR SALE OF ITEMS WITHOUT WRITTEN PERMISSION FROM SCHNEIDER ELECTRIC. THIS DRAWING IS BASED UPON LATEST AVAILABLE INFORMATION AND IS SUBJECT TO CHANGE WITHOUT NOTICE.



TITLE: MAINTENANCE BYPASS PANEL
 INPUT: HARDWIRE, 200-240V, 1φ, 100A, MBB
 OUTPUT: (3) NEMA L6-20R & (3) L6-30R WIRING DIAGRAM
 PROJECT: STD PRODUCT DRAWINGS | SHEET 3 OF 3

DWG NO: SBP10KRMT4U	REV: 0
DRAWN BY: NAGENDRA/M CRAVEN	13-JUN-12
ENGINEER: D DESRUSSIS/WHITING	13-JUN-12
APPROVED BY: K WHITE/B MCKENNA	13-JUN-12

3RD ANGLE PROJ