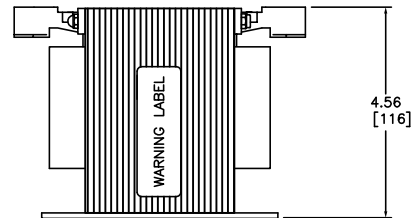
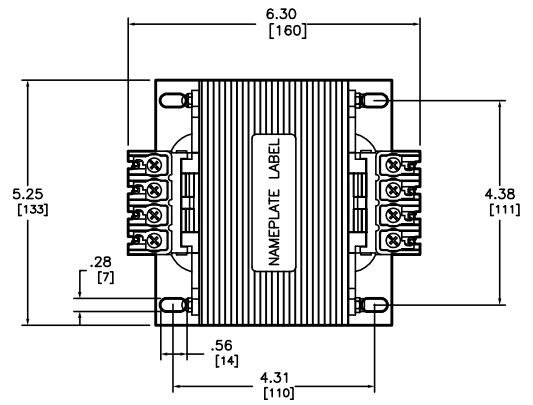


J:\wip\209\control_online\5865.DWG 07/22/2008 12:14:59 PM

CATALOG NUMBER	PRIMARY VOLTAGE	SECONDARY VOLTAGE	50/60 Hz 1 PHASE		APPROXIMATE WEIGHT (Lbs/Kg)
			UL/cUL/CSA/NOM RATINGS (VA)	CE RATINGS (VA)	
9070T750D18	208/277/380	95/115	750	500	20.8 / 9.4
9070T750D20	208/230/460	115	750	500	21.0 / 9.5
9070T750D32	220/440/550 230/460/575 240/480/800	90/110 95/115 100/120	750	500	20.8 / 9.4
9070T750D51	208/277	120	750	500	20.9 / 9.4
9070T750D95	208/240/480 200/230/460 220/440	120 115 110	750	500	20.1 / 9.1



FILES/STANDARDS:
 UL/cUL FILE: E61239
 CSA FILE: LR37055
 CE: TUV CERTIFIED TO 61558
 NOM 117

750VA—CONTROL POWER TRANSFORMER
 9070 TYPE T
 CATALOG NUMBERS: FROM CHART



DWG# 5865
 NO.