

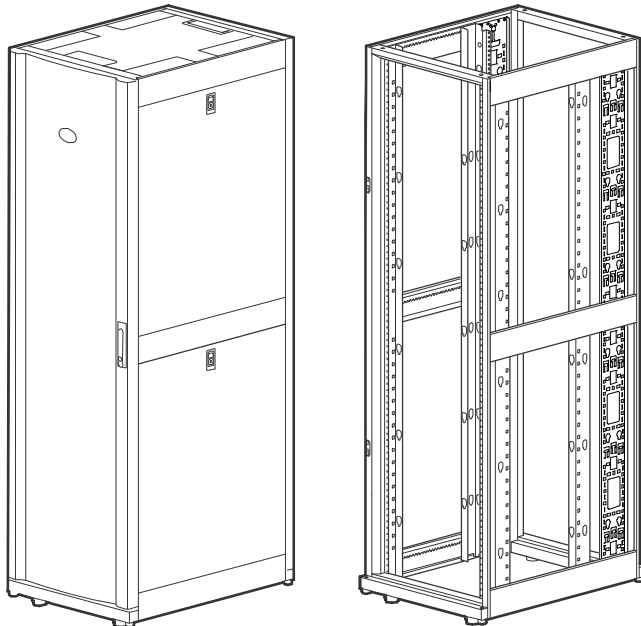
Installation and Customization Manual

NetShelter™ AV 42U Cabinet and 42U Open-frame Rack

AR3810
AR3812

990-3702B

Publication Date: October 2018



Schneider Electric Legal Disclaimer

The information presented in this manual is not warranted by Schneider Electric to be authoritative, error free, or complete. This publication is not meant to be a substitute for a detailed operational and site specific development plan. Therefore, Schneider Electric assumes no liability for damages, violations of codes, improper installation, system failures, or any other problems that could arise based on the use of this Publication.

The information contained in this Publication is provided as is and has been prepared solely for the purpose of evaluating data center design and construction. This Publication has been compiled in good faith by Schneider Electric. However, no representation is made or warranty given, either express or implied, as to the completeness or accuracy of the information this Publication contains.

IN NO EVENT SHALL SCHNEIDER ELECTRIC, OR ANY PARENT, AFFILIATE OR SUBSIDIARY COMPANY OF SCHNEIDER ELECTRIC OR THEIR RESPECTIVE OFFICERS, DIRECTORS, OR EMPLOYEES BE LIABLE FOR ANY DIRECT, INDIRECT, CONSEQUENTIAL, PUNITIVE, SPECIAL, OR INCIDENTAL DAMAGES (INCLUDING, WITHOUT LIMITATION, DAMAGES FOR LOSS OF BUSINESS, CONTRACT, REVENUE, DATA, INFORMATION, OR BUSINESS INTERRUPTION) RESULTING FROM, ARISING OUT, OR IN CONNECTION WITH THE USE OF, OR INABILITY TO USE THIS PUBLICATION OR THE CONTENT, EVEN IF SCHNEIDER ELECTRIC HAS BEEN EXPRESSLY ADVISED OF THE POSSIBILITY OF SUCH DAMAGES. SCHNEIDER ELECTRIC RESERVES THE RIGHT TO MAKE CHANGES OR UPDATES WITH RESPECT TO OR IN THE CONTENT OF THE PUBLICATION OR THE FORMAT THEREOF AT ANY TIME WITHOUT NOTICE.

Copyright, intellectual, and all other proprietary rights in the content (including but not limited to software, audio, video, text, and photographs) rests with Schneider Electric or its licensors. All rights in the content not expressly granted herein are reserved. No rights of any kind are licensed or assigned or shall otherwise pass to persons accessing this information.

This Publication shall not be for resale in whole or in part.

Table of Contents

- Introduction 1**
- Important Safety Information..... 2**
 - Safety Instructions 3
 - Labels 3
- Unpack the Cabinet 4**
 - Disclaimer 4
 - Receiving Inspection 4
 - Please Recycle 4
 - Unpacking Procedure 4
- Component Identification..... 5**
 - Cabinet 5
 - Hardware Bag 6
 - Required Tools (not provided) 6
- Remove and Reinstall Side Panels, Roof, and Doors 7**
 - Roof 7
 - Side Panels (if equipped) 7
 - Doors 8
 - Install a door 8
 - Remove a door 9
- Install the Cabinet 10**
 - Move the Cabinet 10
 - Level the Cabinet 11
 - Join the Cabinets 12
 - Reverse the Front Door 13
 - Secure the Cabinet 15
 - Remove the Casters and Leveling Feet (optional) 16
 - Ground the Cabinet 16
 - Complete the Installation 17

| | |
|--|-----------|
| Equipment Installation | 18 |
| Vertical Mounting Rails | 18 |
| Adjust the Vertical Mounting Rail | 19 |
| Install Rack-Mount Equipment in the Cabinet. | 21 |
| Cable Routing and Cable Management..... | 22 |
| Roof Cable Routing and Cable Management | 22 |
| Vertical 0U Accessory Channels | 23 |
| Accessories | 24 |
| Specifications..... | 28 |
| Five-Year Factory Warranty | 29 |
| Terms of warranty | 29 |
| Non-transferable warranty | 29 |
| Exclusions | 29 |
| Warranty claims | 30 |

Introduction

The Schneider Electric NetShelter™ AV Cabinet is a high-quality cabinet for storage of industry-standard (EIA-310), 19-in rack-mount hardware, which includes servers, voice, data, networking, security, audio-visual, and power protection equipment.

This manual covers the following cabinets:

| Model | Description | Cabinet Mounting Height | Cabinet Mounting Width | External Cabinet Width | Cabinet Depth |
|--------|------------------|-------------------------|------------------------|------------------------|----------------------|
| AR3810 | Standard cabinet | 42 U† | 482 mm (18.98 in) | 600 mm (23.62 in) | 825 mm (32.48 in) |
| AR3812 | Frame Only* | | | | |

† One U = 44.45 mm (1.75 in).

* Side panels, roof, and doors not included. See “Component Identification” on page 5.

For a complete list of accessories and more information, visit www.apc.com.

Important Safety Information

Read the instructions carefully to become familiar with the device before trying to install, operate, service or maintain it. The following messages may appear throughout this manual or on the equipment to warn of potential hazards or to call attention to information that clarifies or simplifies a procedure.



The addition of this symbol to a Danger or Warning safety label indicates that an electrical hazard exists which will result in personal injury if the instructions are not followed.



This is the safety alert symbol. It is used to alert to the potential of personal injury hazards. Obey all safety messages that follow this symbol to avoid possible injury or death.

DANGER

DANGER indicates an imminently hazardous situation which, if not avoided, **will result in death** or serious injury.

WARNING

WARNING indicates a potentially hazardous situation which, if not avoided, **can result in death** or serious injury.

CAUTION

CAUTION indicates a potentially hazardous situation which, if not avoided, **can result in minor** or moderate injury.

CAUTION

CAUTION, used without the safety alert symbol, indicates a potentially hazardous situation which, if not avoided, **can result in** equipment damage.

NOTICE

NOTICE addresses practices not related to physical injury including certain environmental hazards, potential damage or loss of data.

Safety Instructions

This manual contains important instructions that must be followed during the installation and customization of the cabinet.

⚠ WARNING

TIP HAZARD

- This cabinet is easily tipped. Use extreme caution when unpacking or moving.
- When moving the cabinet on its casters, push only from the front or back.
- Before moving the cabinet on its casters, load 159 kg (350 lb) of equipment into the bottom of the cabinet for extra stability.
- Make sure the leveling feet are up when moving the cabinet on its casters.

Failure to follow these instructions can result in death or serious injury.

⚠ WARNING

HEAVY EQUIPMENT HAZARD

At least two people are required to unpack the cabinet.

Failure to follow these instructions can result in death or serious injury.

Labels

Look for additional safety information affixed to the cabinet. See “Labels” on page 10 for more information.

Unpack the Cabinet

Disclaimer

Schneider Electric is not responsible for damage sustained during reshipment of this product.

Receiving Inspection

Inspect the packaging and contents for shipping damage. Make sure that all parts are accounted for. Report any damage immediately to the shipping agent. Report missing contents, damage, or other problems immediately to Schneider Electric or your reseller.

Please Recycle

The shipping materials are recyclable. Save them for later use, or dispose of them appropriately.

Unpacking Procedure

| |
|--|
| ⚠ WARNING |
| TIP HAZARD <ul style="list-style-type: none">• This cabinet is easily tipped. Use extreme caution when unpacking or moving.• When moving the cabinet on its casters, push only from the front or back.• Before moving the cabinet on its casters, load 159 kg (350 lb) of equipment into the bottom of the cabinet for extra stability.• Make sure the leveling feet are up when moving the cabinet on its casters. Failure to follow these instructions can result in death or serious injury. |
| ⚠ WARNING |
| HEAVY EQUIPMENT HAZARD <p>At least two people are required to unpack the cabinet.</p> Failure to follow these instructions can result in death or serious injury. |

1. Move the shipping pallet to a firm, level surface in an open area.
2. See the label on the packaging to determine where to cut the wrapping. Use sturdy shears or a utility knife to carefully remove the plastic stretch wrap surrounding the rack.
3. Remove the four cardboard corner protectors.
4. Using a 13-mm wrench (not provided) or similar, remove the two pallet-mounting brackets that anchor the rack to the shipping pallet.

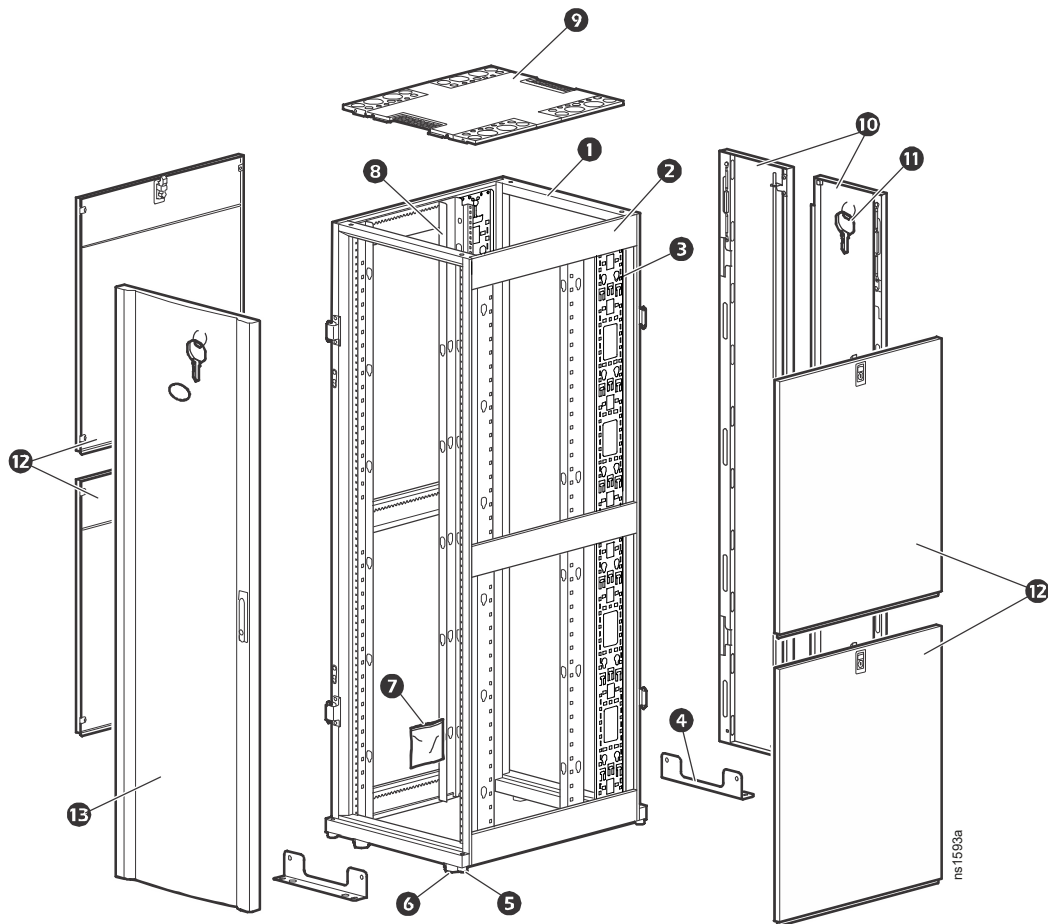
NOTE: Save the pallet-mounting brackets and hardware. The brackets can be used for additional cabinet stabilization during and after installation.

5. With one qualified person on each side of the rack, carefully roll the rack toward the rear of the pallet until the rear casters clear the back edge of the pallet. Continue to slide the rack off the pallet until the rear casters touch the floor.

While one qualified person tips the rack slightly away from the pallet, have the other person carefully pull the pallet away from the rack. Set the cabinet gently on its casters.

Component Identification

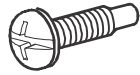
Cabinet



- ❶ Cabinet frame
- ❷ Side brace
- ❸ Adjustable vertical 0-U accessory channel
- ❹ Pallet/bolt-down bracket
- ❺ Adjustable leveling feet
- ❻ Casters
- ❼ Hardware bag (see page 6)
- ❽ Adjustable vertical mounting rails
- ❾ Roof with conduit knockouts and cable access (AR7213)[†]
- ❿ Removable rear split doors (AR7100)[†]
- ⓫ Key for doors and side panels[†]
- ⓬ Removable side panels with locks (AR7306)[†]
- ⓭ Removable and reversible front door (AR7000A)[†]

[†] Options for the NetShelter AV 42 U Open-Frame Cabinet (AR3812).

Hardware Bag



#10-32
screws (60)



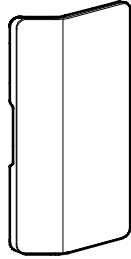
M5 x 12
screws (4)



7-mm hole
plugs (4)



5-mm hole
plugs (5)



Frame handle
cutout cover (2)

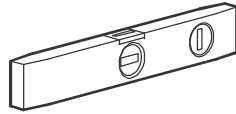


TORX® T30/#2
Phillips wrench (1)

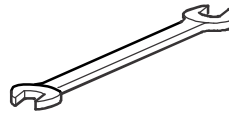
Required Tools (not provided)



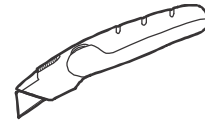
Phillips screwdriver



Level



10-mm / 13-mm,
open-ended wrench

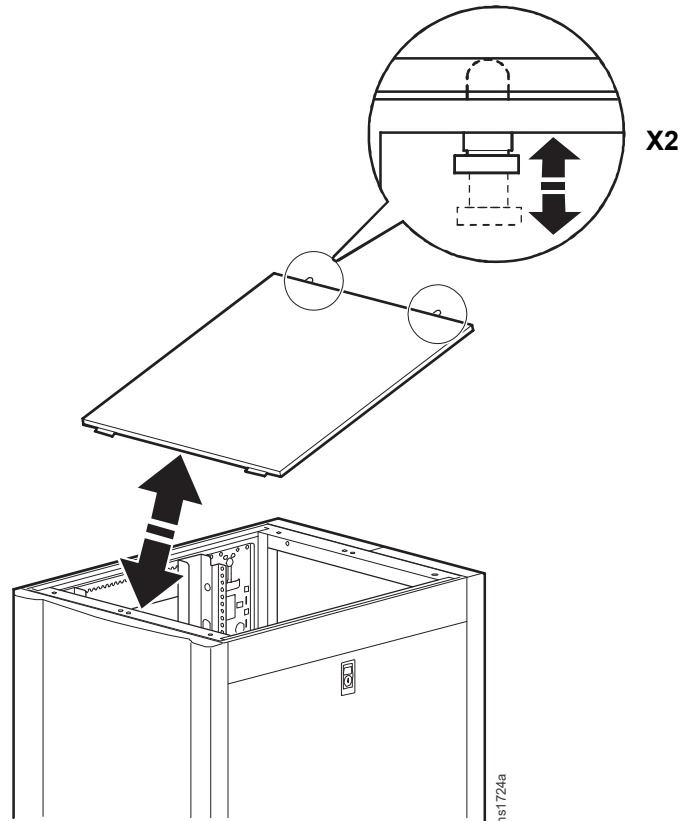


Utility knife

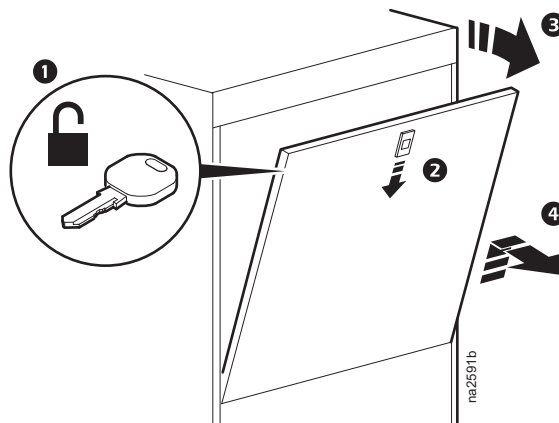
Remove and Reinstall Side Panels, Roof, and Doors

NOTE: The standard configuration of AR3812 does not include side panels, roof, or doors. These items are available to be ordered as optional equipment.

Roof (If Equipped)



Side Panels (If Equipped)



Doors (If Equipped)

Install a door

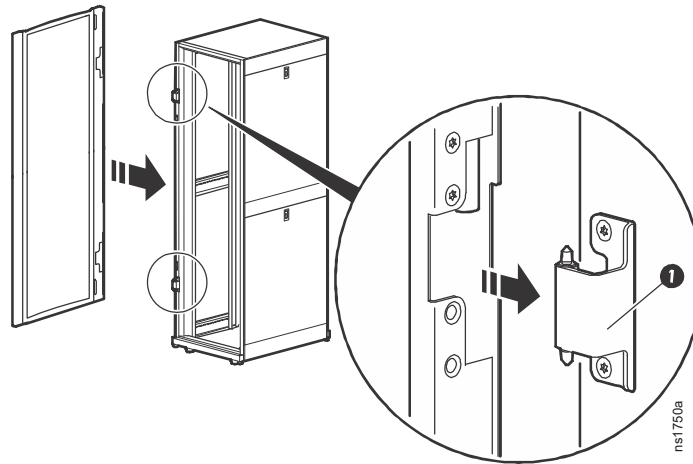
⚠ ⚠ DANGER

HAZARD OF ELECTRIC SHOCK

When Installing the doors, connect all ground and other connection wires.

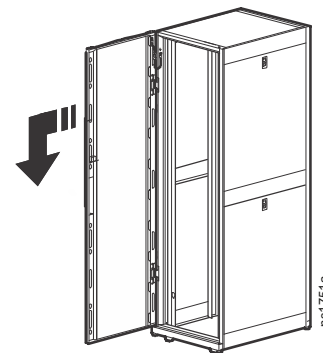
Failure to follow these instructions will result in death or serious injury.

1. With the door at a 90-degree angle to the front of the cabinet, position the door over the hinge pins **1**.

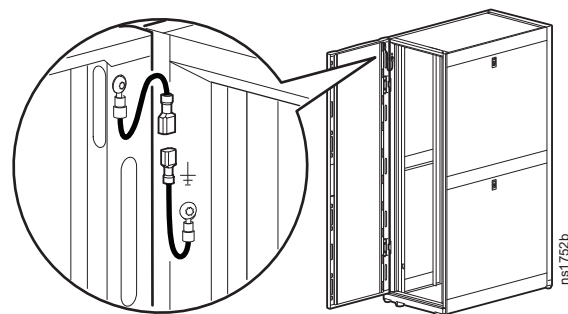


NOTE: Doors self-align on hinge pins when properly reinstalled.

2. Use slight pressure to pull the door away from cabinet, then lower the door.

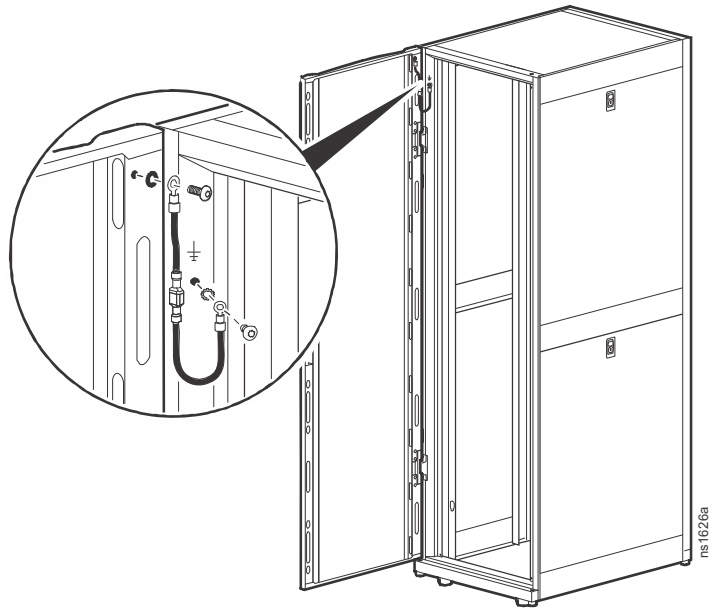


3. Connect the ground wire.

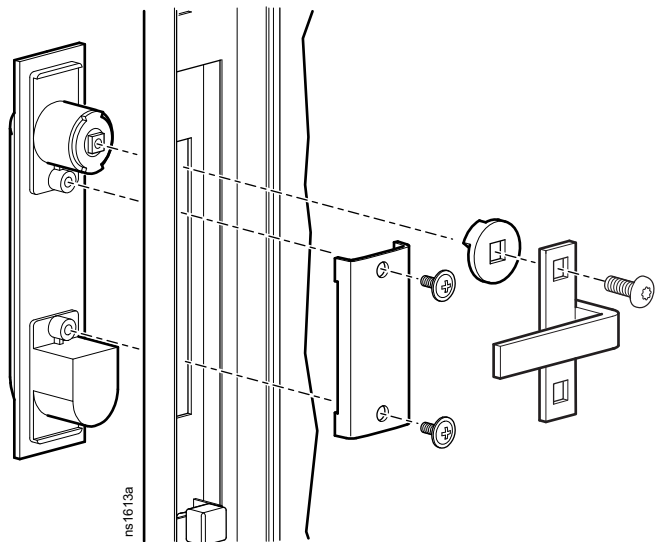


Remove a door

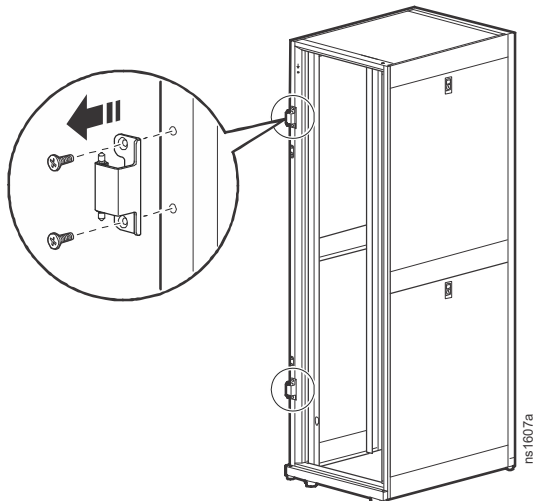
1. Remove the nameplate from the front door, if applicable.
2. Remove the grounding wire using the TORX wrench (provided).



3. Remove the door handle assembly.
4. Remove the door.



5. Remove the hinges from the frame.



Install the Cabinet

Move the Cabinet

⚠ WARNING

TIP HAZARD

- This cabinet is easily tipped. Use extreme caution when unpacking or moving.
- At least two people are required to unpack the cabinet.
- Before moving the cabinet on its casters, load 159 kg (350 lb) of equipment into the bottom of the cabinet for extra stability.
- When moving the cabinet on its casters, make sure the leveling feet are up and push the cabinet from the front or rear.

Failure to follow these instructions can result in death or serious injury.



1



2

Labels. The following labels can be found on the cabinet, and serve to communicate the following information:

Label 1: Generic Tip Hazard

Label 2: Extend Slide-Mounted Hardware One Piece at a Time. Do not extend loaded top-mounted sliding hardware unless the cabinet is secured to the floor.

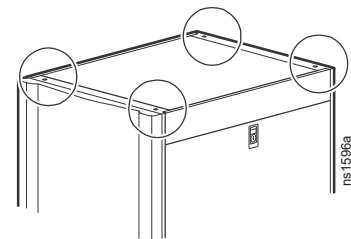
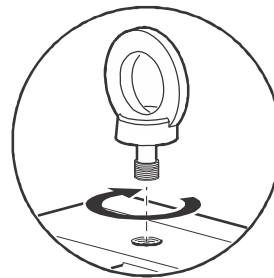
Casters. The cabinet can be moved on its casters with up to 1020 kg (2,250 lb) of equipment installed. Once in place, lower the leveling feet. With the leveling feet lowered, the static cabinet can be loaded to 1364 kg (3,000 lb).

NOTE: Some labels on cabinet indicate caster related information. See label 3 to the right.



3

Eye bolts. The cabinet can be lifted using eye bolts with up to 567 kg (1,250 lbs) of equipment installed. Use M10 eye bolts with a shoulder rated for 181 kg (400 lbs).



Level the Cabinet

⚠ ⚠ DANGER

HAZARD OF ELECTRIC SHOCK

Connect all applicable ground and other connection wires.

Failure to follow these instructions will result in death or serious injury.

NOTE: The leveling feet of the cabinet provide a stable base on an uneven floor. They cannot compensate for a badly sloped surface.

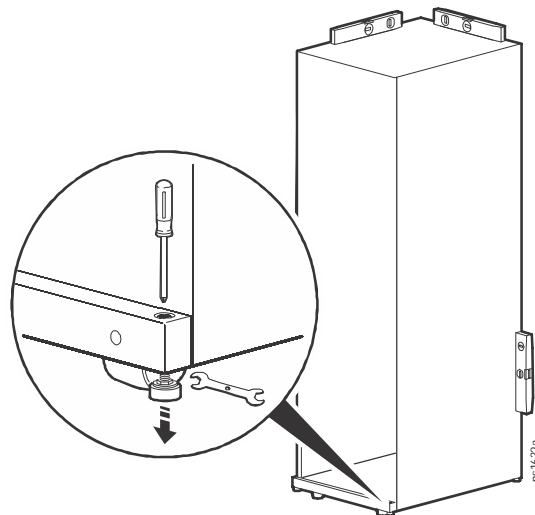
1. Ensure the cabinet is in its intended location. Remove the front and rear doors. See “Remove a door” on page 9 for more information.

NOTE: Before removing the front door, unplug the ground wires and any other wire connections that may interfere with the removal of the doors.

2. Insert a Phillips head screwdriver into the screw above the leveling foot. Turn the screw to the right to extend the leveling foot until it makes firm contact with the floor.

NOTES:

- This method works best with an empty, or near empty cabinet.
- If loaded with equipment, you can also use a 13-mm, open-ended wrench to lower the leveling feet.
- Door removal is not required if using the 13-mm, open-ended wrench.



3. Using one or more levels, adjust each foot until the cabinet is level and plumb.
4. Install the front and rear doors, if applicable. See “Install a door” on page 8 for more information.

Join the Cabinets

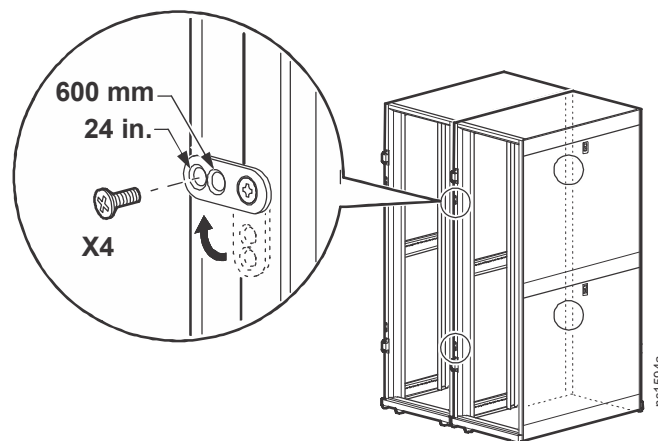
Two or more cabinets can be joined together using joining hardware. Joining cabinets together may assist in alignment and provide limited increased stability.

NOTE: NetShelter AV cabinets can be joined with or without side panels installed.

| |
|--|
| ⚠ WARNING |
| TIP HAZARD |
| Joining cabinets provides limited increased stability to the cabinets. Always secure the cabinet to the floor before installing equipment. |
| Failure to follow these instructions can result in death or serious injury. |

1. Make sure the leveling feet are down.
2. Remove the front and rear doors, if applicable. See “Remove a door” on page 9 for more information.
3. Locate the joining brackets. Choose between 24-in centers or 600-mm centers (see below).

NOTE: If cabinets are joined on 24-in centers, Schneider Electric offers an optional buying trim (AR7600) to cover the gap between the cabinets. The trim can be installed after the units are joined together.



4. Align the cabinets, and using one M5 x 12 flat-head screw (provided in the hardware bag), affix screw to adjacent cabinet (see above). There are two brackets located in the front, and two brackets located in the rear of the cabinet.
5. Install the doors, if applicable. See “Install a door” on page 8 for more information.

| |
|---|
| ⚠ ⚠ DANGER |
| HAZARD OF ELECTRIC SHOCK |
| When Installing the doors, connect all ground and other connection wires. |
| Failure to follow these instructions will result in death or serious injury. |

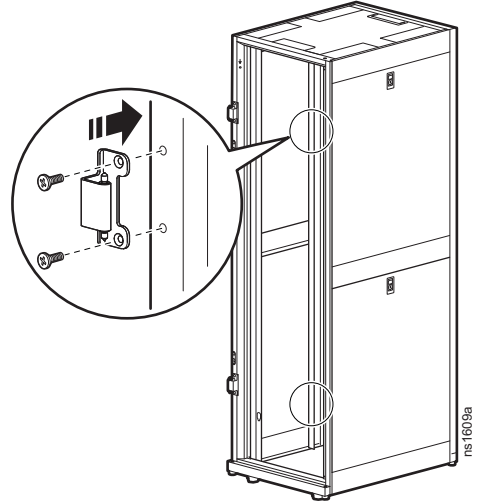
6. Reconnect the grounding wires, if applicable.

Reverse the Front Door

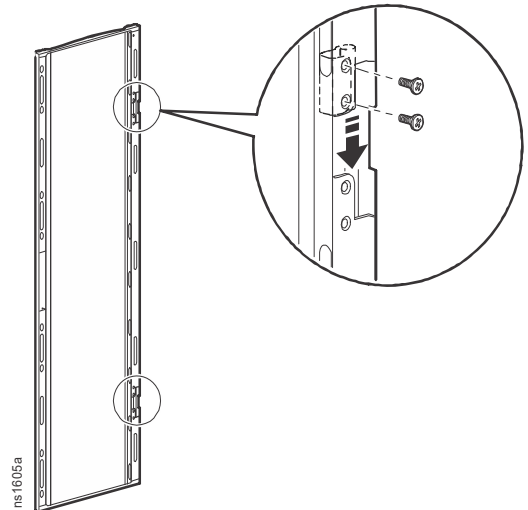
The front door can be reversed so it opens from the opposite side of the cabinet.

NOTE: See “Remove a door” on page 9 before proceeding with the following procedure.

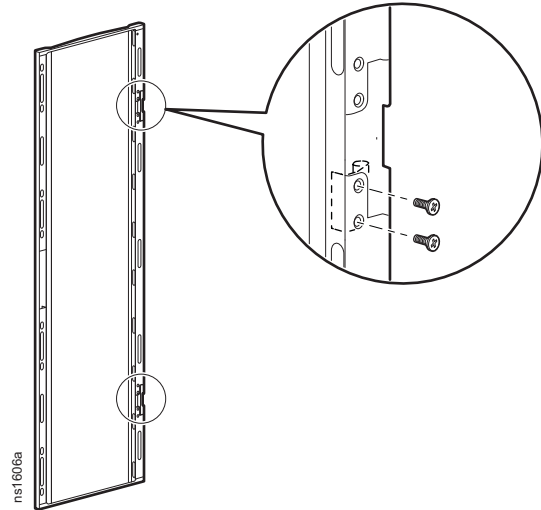
1. Install the hinges on the opposite side of the cabinet.



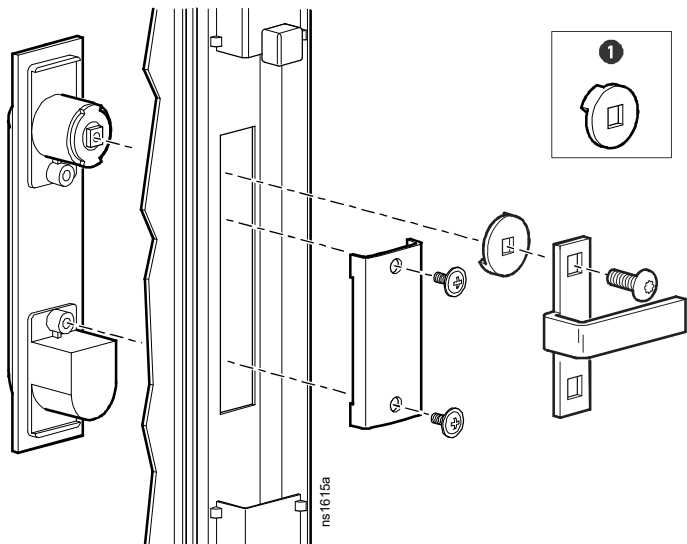
2. Remove screws securing the hinges in the door frame.



3. Reposition and install hinge.
4. Rotate and install the door.



5. Install the door handle assembly with the washer and latch oriented as shown. The washer is rotated 90 degrees from its original orientation ❶.



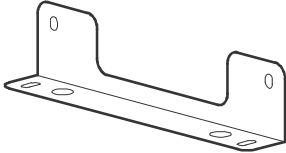
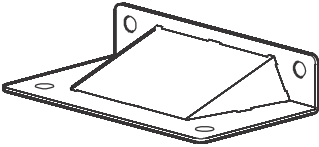
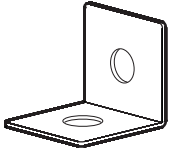
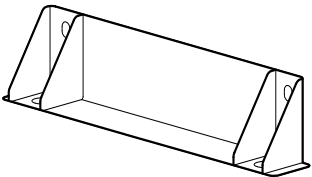
6. Install the grounding wire with star washer. The star washer must be installed under the grounding wire.
7. If applicable, remove the nameplate from the bottom of the door. Rotate and install the nameplate onto the front door.

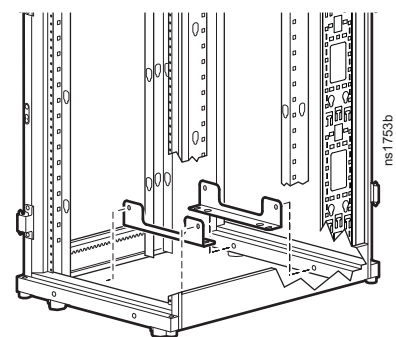
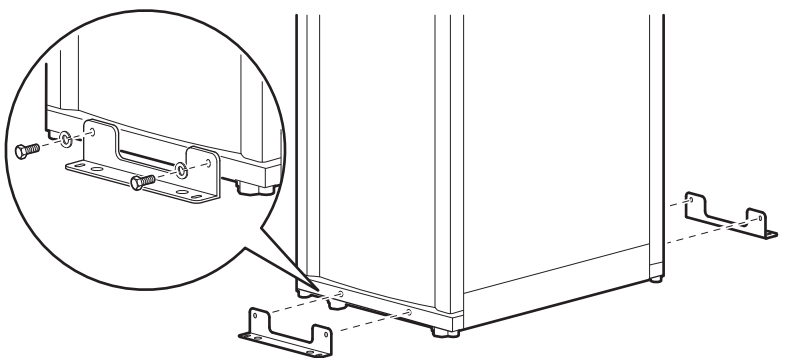
Secure the Cabinet

Options are available to provide additional stabilization to the installation. The cabinet can be bolted to the floor, internally or externally, as shown below.

See www.apc.com for a complete listing of available options. Installation instructions are available with each accessory.

NOTE: Only use the stabilization accessories with the casters or leveling feet installed.

| Accessory | Part number | Description | |
|-----------------------------------|--------------------|--|---|
| Pallet/bolt-down brackets | Provided | Attaches to rack and floor, internally or externally, to provide additional stability without blocking cable access. |  |
| NetShelter SX stabilization plate | Option (AR7700) | Attaches externally to the rack and floor to provide additional stability. |  |
| Bolt-down kit | Option (AR7701) | Attaches to rack and floor, internally or externally, to provide additional stability without blocking cable access. |  |
| High-seismic region bolt-down kit | Option (AR7701A-S) | Attaches to rack and floor, internally and externally, to provide additional stability without blocking cable access. With the appropriate mounting hardware, meets UBC Zone-4 seismic requirements. |  |



Remove the Casters and Leveling Feet (optional)

NOTE: Remove all equipment from the cabinet before removing casters and leveling feet.

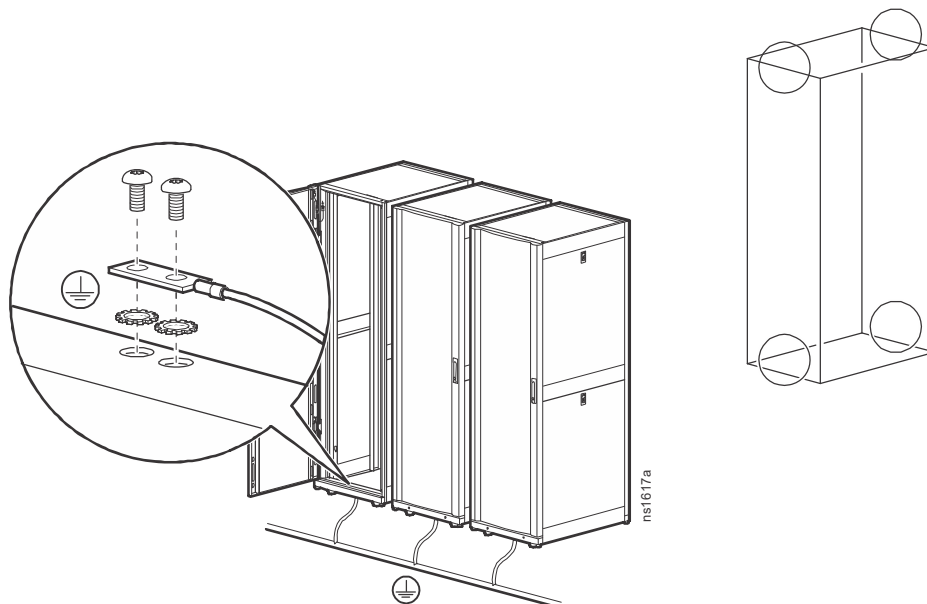
1. Lay the cabinet on its side.
2. Using a 10-mm socket wrench (not provided), remove the four hex nuts from each of the casters and remove the casters.
3. For each leveling foot, use a Phillips screwdriver to turn the foot to the right until it is released from the frame.

Ground the Cabinet

| |
|---|
| ⚠ ⚠ DANGER |
| HAZARD OF ELECTRIC SHOCK |
| Connection of the cabinet to the building Common Bonding Network (CBN) is required. |
| Failure to follow these instructions will result in death or serious injury. |

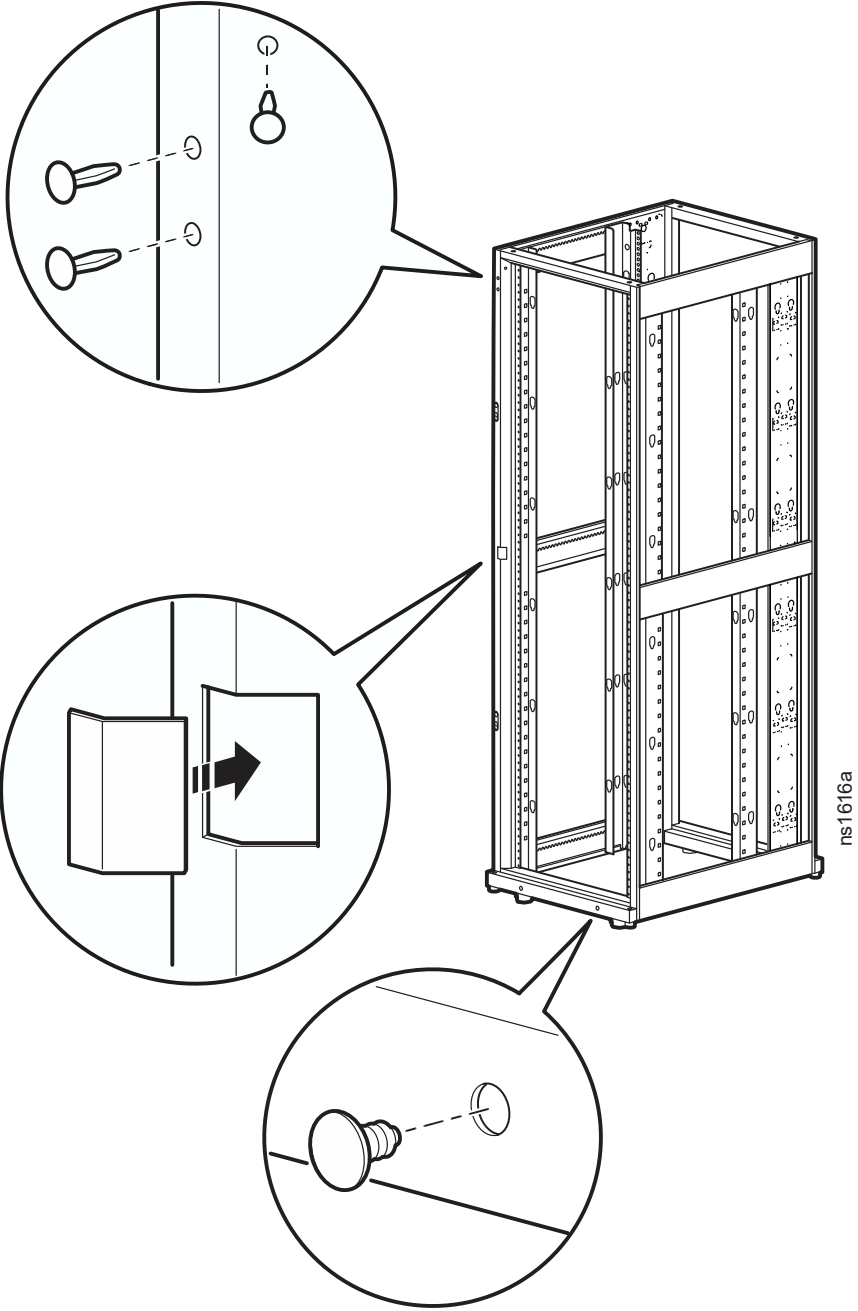
Each cabinet should be grounded directly to the building ground using one of the designated grounding locations (two M6 threaded inserts) at the top or bottom of the cabinet.

- Use a Common Bonding Network Jumper kit (for example, Listed [KDER] Panduit RGCBNJ660PY or equivalent).
- Use paint-piercing washers between ground terminal and cabinet frame or remove paint on frame under ground terminals per NEC NFPA 70 Article 250.12.
- Torque screws to 6.9 N•m (60 lb-in).
- Do not ground one cabinet to another in a cascading style.



Complete the Installation

Install plugs and covers included in the hardware bag, as needed.

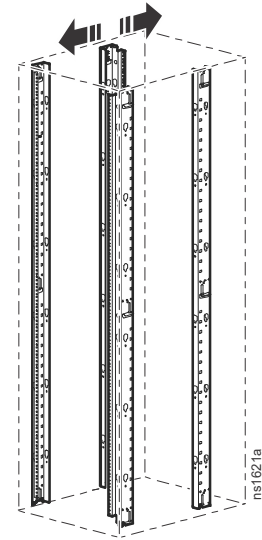


Equipment Installation

Vertical Mounting Rails

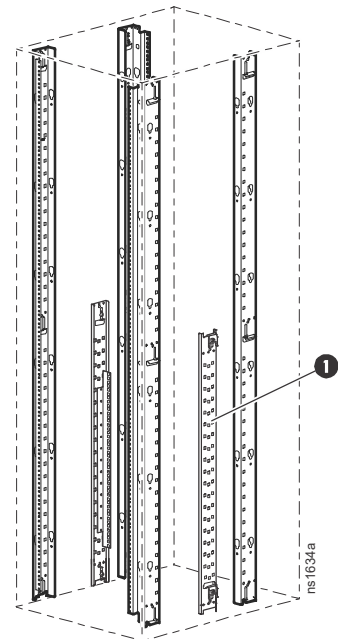
You can secure audio-visual (AV) equipment to the vertical mounting rails in the NetShelter AV Cabinet. The vertical mounting rails are adjustable to accommodate the depth of your AV equipment.

The vertical mounting rails come installed at a depth of 508 mm (20 in). They can be adjusted to be as close together as 191 mm (7.5 in) or as far apart as 680 mm (26.8 in), with the vertical 0-U accessory channels removed.



Schneider Electric also offers the NetShelter SX Recessed Rail kit, which allows you to install equipment at two different depths.

| Accessory | SKU | Description |
|---------------------------------|--------|--|
| NetShelter SX Recessed Rail Kit | AR7503 | <p>Allows you to install another set of rails ❶ in either the top or bottom of the cabinet.</p> <p>This allows for equipment of two different depths to be installed in the cabinet.</p> |



Adjust the Vertical Mounting Rail

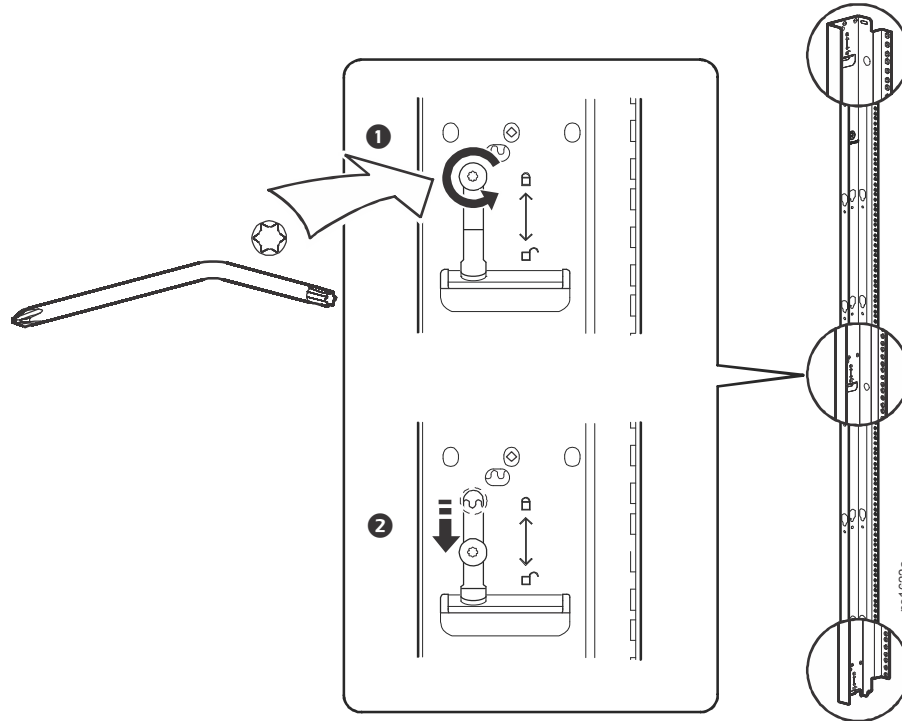
⚠ WARNING

FALLING EQUIPMENT HAZARD

Remove all rail-mounted equipment before adjusting the rails.

Failure to follow these instructions can result in death or serious injury.

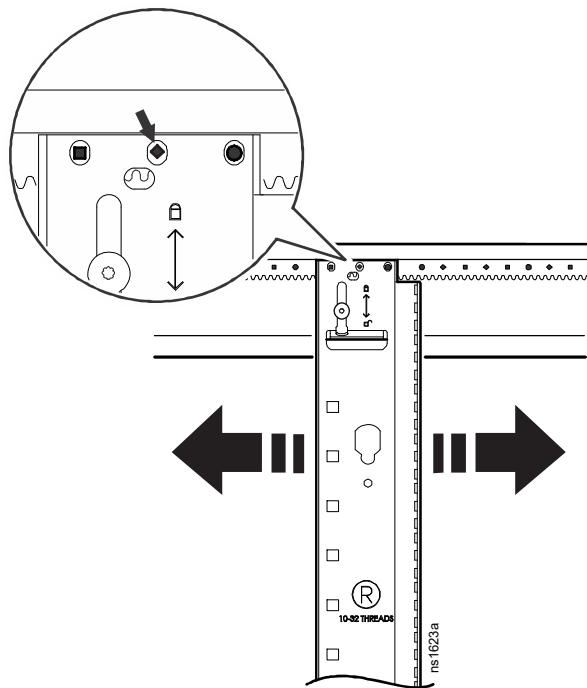
1. Use the T30/#2 Phillips wrench (provided) to loosen each of the three screws, and unlock the vertical mounting rail.



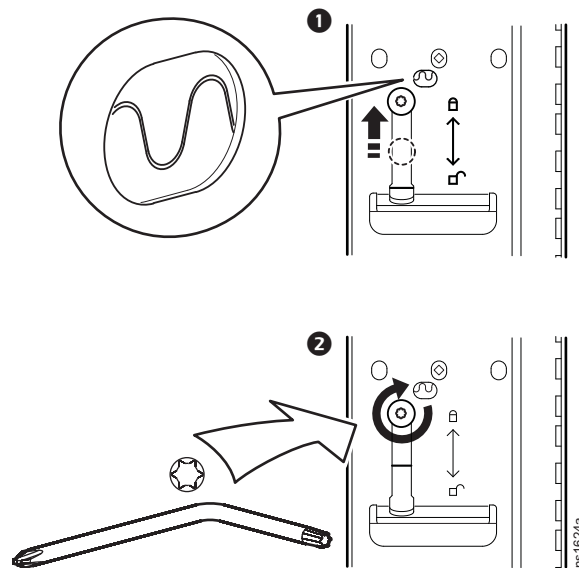
2. Move the vertical mounting rail to the desired position.
3. Check the alignment. Locate the visible symbols (circle, triangle, and square) along the vertical mounting rails. Symbols are visible at three locations. If the symbols match, the rail is vertically aligned. If they do not match, realign the vertical mounting rail.

NOTES

- Make sure the vertical mounting rails on both sides of the cabinet are adjusted to the same depth. Verify that the same symbols are visible.
- Vertical mounting rails adjust in 6-mm (1/4-in) increments.



4. Tighten the screws at the top, middle, and bottom of the vertical mounting rail, locking the rail.



Install Rack-Mount Equipment in the Cabinet

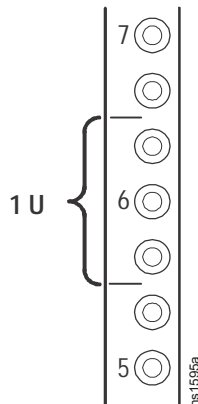
⚠ WARNING

TIP HAZARD

- This cabinet is easily tipped. Make sure the cabinet is secured to the floor before installing equipment.
- Install the heaviest equipment first and toward the bottom of the cabinet to prevent the cabinet from becoming top heavy.
- Do not extend equipment on sliding rails until 159 kg (350 lb) of equipment is installed into the bottom of the cabinet or until you have installed the stabilizer plates or bolt-down brackets.
- Do not extend more than one piece of equipment on sliding rails at a time.

Failure to follow these instructions can result in death or serious injury.

1. Verify that the vertical mounting rails are positioned as required. (See “Adjust the Vertical Mounting Rail” on page 19 for more information.) Review the equipment manufacturer’s installation instructions.
2. Locate the top and bottom U-space on the vertical mounting rails. Every third hole on the mounting rails is numbered to indicate the middle of a U-space. A U-space consists of one of these numbered holes and one hole directly above and below it, as shown.

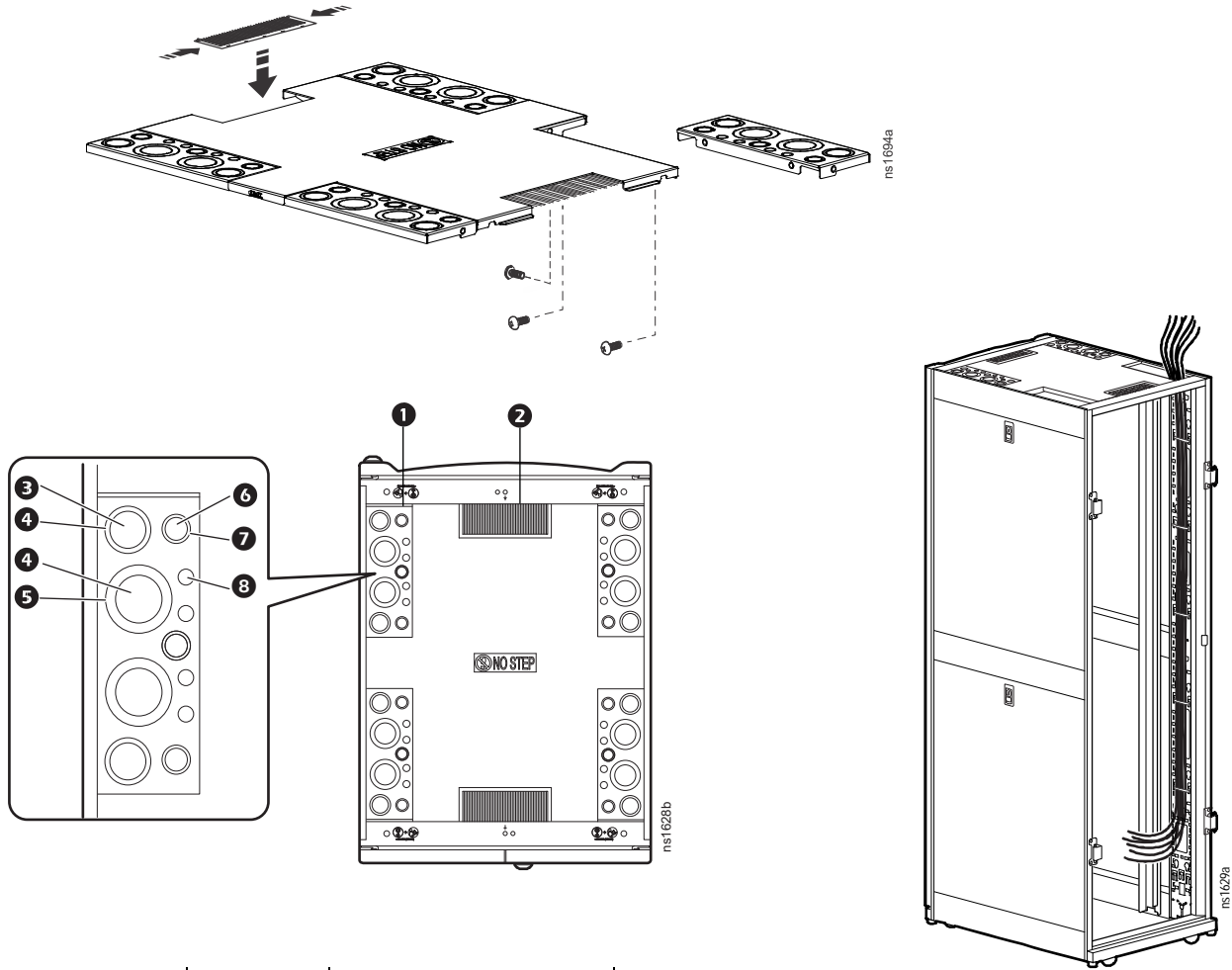


3. Install the equipment using the #10-32 screws (provided). See the instructions provided with the equipment for additional details.

Cable Routing and Cable Management

Roof Cable Routing and Cable Management

Four removable roof-top panels **1** provide knockouts of varying dimensions for conduits. For larger cable volumes, remove the panels entirely. Brush strips **2** cover cutouts in the front and rear of the roof panel, which also provide openings for cable routing.



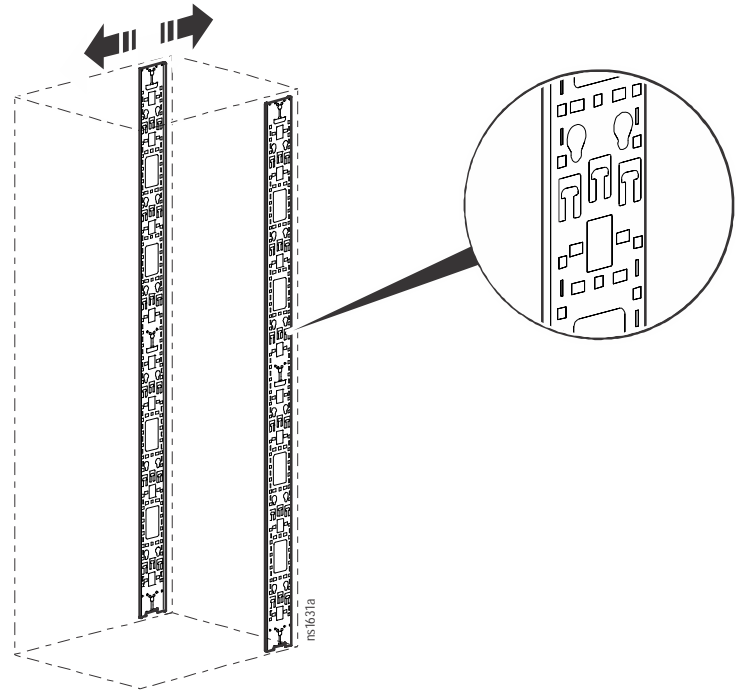
| Knockout | Quantity | Conduit Size (EMT) | Knockout Size |
|----------|----------|--------------------|---------------|
| 3 | 2 | 1 in | 1.375 in |
| 4 | 4 | 1.25 in | 1.734 in |
| 5 | 2 | 2 in | 2.469 in |
| 6 | 3 | 0.5 in | 0.875 in |
| 7 | 3 | 0.75 in | 1.109 in |
| 8 | 4 | - | 0.625 in |

Vertical 0U Accessory Channels

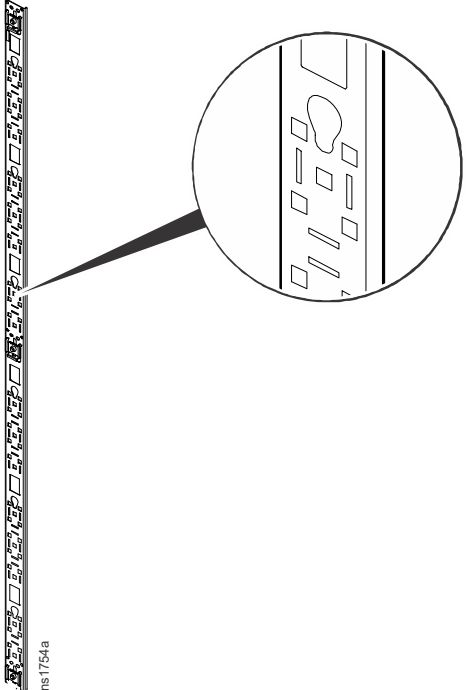
The vertical 0-U accessory channels provide toolless mounting capabilities for Rack Power Distribution Units (Rack PDUs), and tie-off locations for cables.

The default position for the vertical 0-U accessory channels is in the rear of the cabinet.

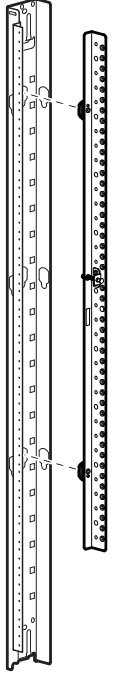
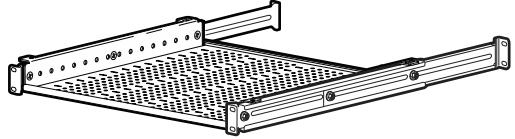
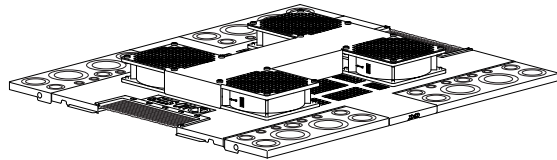
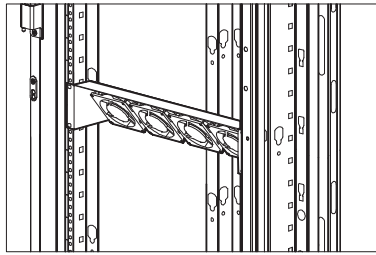
The vertical 0-U accessory channels can be positioned in the cabinet anywhere along the side braces, like the vertical mounting rails. See “Adjust the Vertical Mounting Rail” on page 19 for more information.

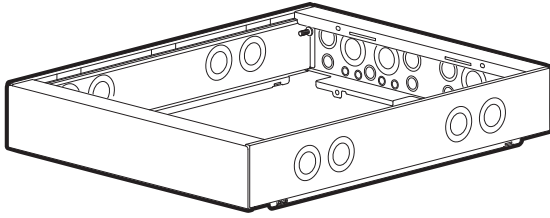
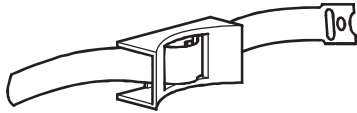
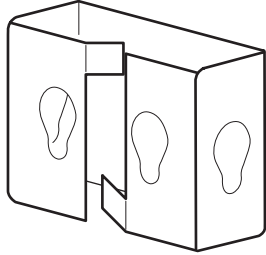

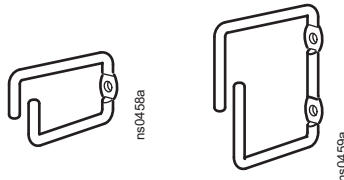


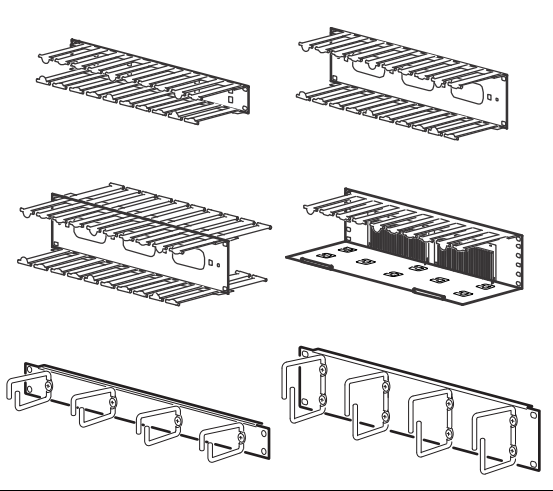
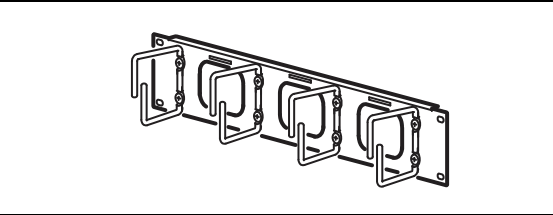
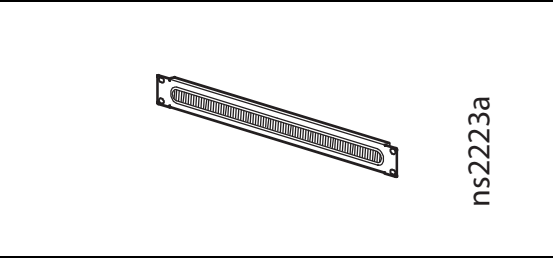
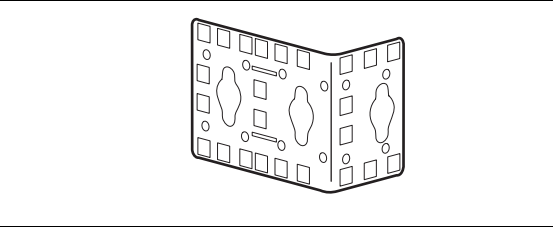
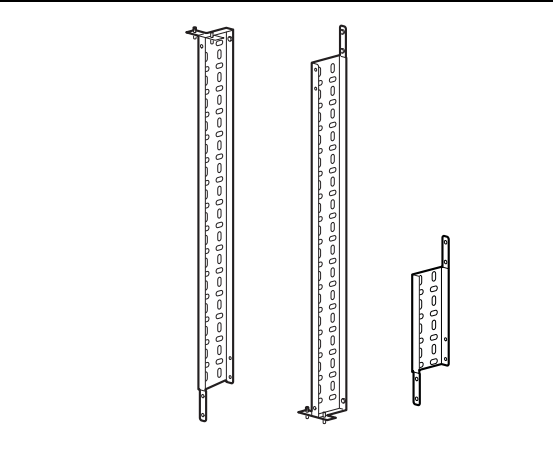
Schneider Electric also offers the NetShelter SX 42U 0U Cable organizer.

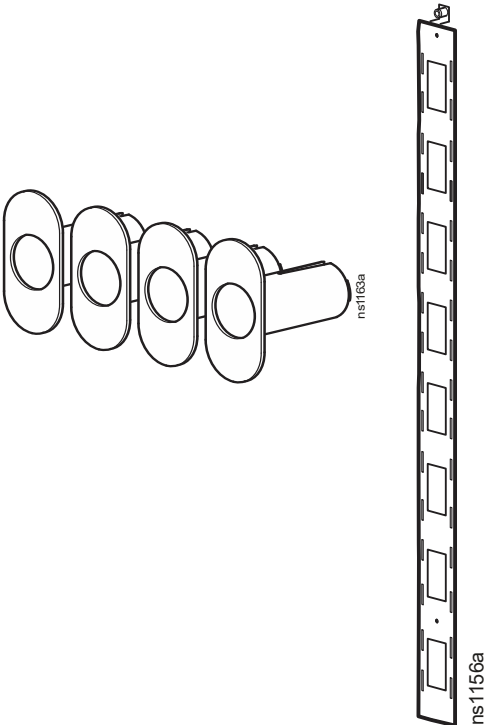
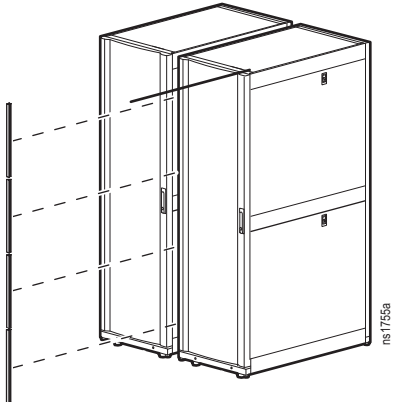
| Accessory | SKU | Description |
|---|--------|---|
| NetShelter SX 42U Narrow Vertical Cable Organizer | AR7511 | <p>Depending on the position of the vertical mounting rails and the vertical 0-U accessory channels, additional vertical 0-U accessory channels may be installed.</p> <p>The narrow vertical cable organizer complements the standard vertical cable organizer by offering additional cable management options.</p> <p>The narrow channel can be used in the front of the cabinet to mount fiber cable spools and vertical cable managers or can be used in the middle of the cabinet for cable tie off. In addition, keyholes are provided to mount one vertical Rack PDU per organizer.</p>  |

Accessories

| Accessory | SKU | Description |
|--------------------|--------|--|
| Copper busbar | AR8395 | <p>20-U, copper busbar for NetShelter AV cabinets. Toolless installation in vertical 0-U accessory channel or vertical mounting rail.</p>  |
| Adjustable shelf | AR8125 | <p>Adjustable, reversible shelf. 16–24 in</p>  |
| Roof fan tray | ACF505 | <p>Includes four fans to pull heated air out of the cabinet. Toolless installation. 120 VAC 50/60 HZ for NetShelter AV 600 mm Wide x 825 mm Deep cabinets.</p>  |
| 2-U rack fan panel | ACF600 | <p>Includes four fans for cooling AV equipment. Accessories include a temperature controller (ACF601), vent panel (ACAC40001), and vent panel with temperature display (ACAC40000).</p>  |

| | | | |
|--|----------------|--|---|
| <p>Top-mount conduit access adapter</p> | <p>AR7215</p> | <p>Allows option to route cable into side of unit. Includes knock out panels for conduit. Toolless installation.</p> |  |
| <p>Toolless hook and loop cable managers (Qty. 10)</p> | <p>AR8621</p> | <p>Includes ten 457-mm (18-in) hook and loop black cable straps that install in the square holes in the vertical 0-U accessory channel or the vertical mounting rail.</p> |  <p style="text-align: right; font-size: small;">ns2213a</p> |
| <p>Cable containment brackets (Qty. 6)</p> | <p>AR7710</p> | <p>Contains cables along the vertical 0-U accessory channel. Installs without tools.</p> |  |
| <p>0-U vertical cable organizer</p> | <p>AR8442</p> | <p>Installs in a vertical 0-U accessory channels to facilitate vertical cable management and eliminate cable stress. Takes up zero U of space within the cabinet. Consists of two pieces of equal size that, when stacked, span the height of a 42-U cabinet. Can be used in any APC cabinet. Toolless installation.</p> |  <p style="text-align: right; font-size: small;">ns1107b</p> |
| <p>Cable management rings (Qty. 5 large and 5 small)</p> | <p>AR8113A</p> | <p>Fastens cables to posts, mounting rails, or braces.</p> |  <p style="text-align: right; font-size: small;">ns0458a</p> <p style="text-align: right; font-size: small;">ns0458a</p> |

| | | | |
|--|--|---|---|
| <p>19-in horizontal cable organizers</p> | <p>AR8602 (1 U) AR8600 (2 U) AR8601 (2 U double sided) AR8603 (2 U high density) AR8425A (1 U) AR8426A (2 U)</p> | <p>Routes cables horizontally on the front or back of the 19-in EIA cabinet.</p> |  |
| <p>2-U horizontal cable organizer</p> | <p>AR8428</p> | <p>19-in, 2-U horizontal cable organizer routes cables horizontally or front to back.</p> |  |
| <p>1-U horizontal cable organizer with brush strip</p> | <p>AR8429</p> | <p>19-in, 1-U cable passthrough assists with containing air in the cabinet and providing an aesthetic solution for cable routing.</p> |  <p style="text-align: right;">ns2223a</p> |
| <p>0-U accessory mounting bracket (Qty. 2)</p> | <p>AR7711</p> | <p>0-U, multi-purpose accessory mounting bracket for 1-U and 2-U equipment, including Rack PDUs.</p> |  |
| <p>Vertical cable organizer, center rear mount</p> | <p>AR7505</p> | <p>Routes cables or attaches rack PDUs vertically in the center of the back of the cabinet under the brush strips. Installs toollessly in a 42-U or 48-U cabinet.</p> |  |

| | | |
|----------------------------------|----------------|--|
| <p>Vertical fiber organizer</p> | <p>AR8443A</p> | <p>The vertical fiber organizer provides a method to manage fiber cabling within a cabinet and mounts toollessly into the vertical 0-U accessory channel.</p>  |
| <p>42-U/48-U baying trim kit</p> | <p>AR7600</p> | <p>Fills the gap between the cabinets, providing a finished look.</p>  |

Specifications

| Specifications | AR3810 | AR3812 |
|---|---|--------------------|
| Height | 1991 mm (78.40 in) | 1991 mm (78.40 in) |
| Width | 600 mm (23.62 in) | 600 mm (23.62 in) |
| Depth | 825 mm (32.48 in) | 753 mm (29.60 in) |
| Net weight | 119.3 kg (263 lb) | 71.7 kg (158 lb) |
| Total open area (front door) | 593 018 mm ² (919.18 in ²) | n/a |
| Total open area (rear door) | 669 276 mm ² (1,037.38 in ²) | n/a |
| Open area per U (front door) | 14 129 mm ² (21.90 in ²) | n/a |
| Open area per U (rear door) | 15 935 mm ² (24.70 in ²) | n/a |
| Perforation pattern percentage | 69% | n/a |
| Percent of perforated area (front) | 66% | n/a |
| Percent of perforated area (rear) | 74% | n/a |
| Clearance (for wiring between front door and vertical rail) | 60.96 mm (2.40 in) | n/a |
| Weight rating: static load [†] | 1361 kg (3,000 lb) | 1361 kg (3,000 lb) |
| Weight rating: rolling | 1021 kg (2,250 lb) | 1021 kg (2,250 lb) |
| Weight rating: shipping [‡] | 567 kg (1,250 lb) | 567 kg (1,250 lb) |

[†] Lower the leveling feet if the static weight is over 1020.58 kg (2,250 lb).

Five-Year Factory Warranty

The limited warranty provided by Schneider Electric in this Statement of Limited Factory Warranty applies only to products you purchase for your commercial or industrial use in the ordinary course of your business.

Terms of warranty

Schneider Electric warrants its products to be free from defects in materials and workmanship for a period of five years from the date of purchase. The obligation of Schneider Electric under this warranty is limited to repairing or replacing, at its sole discretion, any such defective products. This warranty does not apply to equipment that has been damaged by accident, negligence, or misapplication or has been altered or modified in any way. Repair or replacement of a defective product or part thereof does not extend the original warranty period. Any parts furnished under this warranty may be new or factory-remanufactured.

Non-transferable warranty

This warranty extends only to the original purchaser who must have properly registered the product. The product may be registered at the Schneider Electric Web site, www.apc.com.

Exclusions

Schneider Electric shall not be liable under the warranty if its testing and examination disclose that the alleged defect in the product does not exist or was caused by end user's or any third person's misuse, negligence, improper installation or testing. Further, Schneider Electric shall not be liable under the warranty for unauthorized attempts to repair or modify wrong or inadequate electrical voltage or connection, inappropriate on-site operation conditions, corrosive atmosphere, repair, installation, start-up by non-Schneider Electric designated personnel, a change in location or operating use, exposure to the elements, Acts of God, fire, theft, or installation contrary to Schneider Electric recommendations or specifications or in any event if the Schneider Electric serial number has been altered, defaced, or removed, or any other cause beyond the range of the intended use.

THERE ARE NO WARRANTIES, EXPRESS OR IMPLIED, BY OPERATION OF LAW OR OTHERWISE, OF PRODUCTS SOLD, SERVICED OR FURNISHED UNDER THIS AGREEMENT OR IN CONNECTION HEREWITH. SCHNEIDER ELECTRIC DISCLAIMS ALL IMPLIED WARRANTIES OF MERCHANTABILITY, SATISFACTION AND FITNESS FOR A PARTICULAR PURPOSE. SCHNEIDER ELECTRIC EXPRESS WARRANTIES WILL NOT BE ENLARGED, DIMINISHED, OR AFFECTED BY AND NO OBLIGATION OR LIABILITY WILL ARISE OUT OF, SCHNEIDER ELECTRIC RENDERING OF TECHNICAL OR OTHER ADVICE OR SERVICE IN CONNECTION WITH THE PRODUCTS. THE FOREGOING WARRANTIES AND REMEDIES ARE EXCLUSIVE AND IN LIEU OF ALL OTHER WARRANTIES AND REMEDIES. THE WARRANTIES SET FORTH ABOVE CONSTITUTE SCHNEIDER ELECTRIC'S SOLE LIABILITY AND PURCHASER'S EXCLUSIVE REMEDY FOR ANY BREACH OF SUCH WARRANTIES. SCHNEIDER ELECTRIC WARRANTIES EXTEND ONLY TO PURCHASER AND ARE NOT EXTENDED TO ANY THIRD PARTIES.

IN NO EVENT SHALL SCHNEIDER ELECTRIC, ITS OFFICERS, DIRECTORS, AFFILIATES OR EMPLOYEES BE LIABLE FOR ANY FORM OF INDIRECT, SPECIAL, CONSEQUENTIAL OR PUNITIVE DAMAGES, ARISING OUT OF THE USE, SERVICE OR INSTALLATION, OF THE PRODUCTS, WHETHER SUCH DAMAGES ARISE IN CONTRACT OR TORT, IRRESPECTIVE OF FAULT, NEGLIGENCE OR STRICT LIABILITY OR WHETHER SCHNEIDER ELECTRIC HAS BEEN ADVISED IN ADVANCE OF THE POSSIBILITY OF SUCH DAMAGES. SPECIFICALLY, SCHNEIDER ELECTRIC IS NOT LIABLE FOR ANY COSTS, SUCH AS LOST PROFITS OR REVENUE, LOSS OF EQUIPMENT, LOSS OF USE OF EQUIPMENT, LOSS OF SOFTWARE, LOSS OF DATA, COSTS OF SUBSTITUENTS, CLAIMS BY THIRD PARTIES, OR OTHERWISE.

NO SALESMAN, EMPLOYEE OR AGENT OF SCHNEIDER ELECTRIC IS AUTHORIZED TO ADD TO OR VARY THE TERMS OF THIS WARRANTY. WARRANTY TERMS MAY BE MODIFIED, IF AT ALL, ONLY IN WRITING SIGNED BY AN SCHNEIDER ELECTRIC OFFICER AND LEGAL DEPARTMENT.

Warranty claims

Customers with warranty claims issues may access the Schneider Electric customer support network through the Support page of the Schneider Electric Web site, www.apc.com/support. Select your country from the country selection pull-down menu at the top of the Web page. Select the Support tab to obtain contact information for customer support in your region.

Worldwide Customer Support

Customer support for this product is available at www.apc.com.