



### Main

Range of product	Preventa XY2
Product or component type	Two-hand control station
Component name	XY2S
Control station composition	2 push-buttons + 1 lock out push-button
Control button type	1 push-button, mushroom, yellow, 1 NC + 1 NO break before make 2 push-buttons, 1 NC + 1 NO break before make
Connections - terminals	Pre-wired terminal block

### Complementary

Housing colour	Orange RAL 2008
Surface finish	Painted
Cable entry	1 plain hole M25 2 plain holes M20
Mechanical durability	1000000 cycles
Contact code designation	A600 AC-15, Ue = 240 V, Ie = 3 A Q600 DC-13, Ue = 250 V, Ie = 0.27 A EN/IEC 60947-5-1 appendix A
[Ui] rated insulation voltage	600 V 3)EN/IEC 60947-1 600 VUL 508 600 VCSA C22.2 No 14
[Uimp] rated impulse withstand voltage	6 kV EN/IEC 60947-1
Positive opening	With EN/IEC 60947-5-1 appendix K
Short-circuit protection	10 A gG cartridge fuse protection EN/IEC 60269
Electrical durability	1000000 Cycles AC-15 60 cyc/mn 120 V, 3 A 0.5 EN/IEC 60947-5-1 appendix C 1000000 Cycles AC-15 60 cyc/mn 230 V, 2 A 0.5 EN/IEC 60947-5-1 appendix C 1000000 Cycles AC-15 60 cyc/mn 24 V, 4 A 0.5 EN/IEC 60947-5-1 appendix C 1000000 Cycles DC-13 60 cyc/mn 110 V, 0.2 A 0.5 EN/IEC 60947-5-1 appendix C 1000000 cycles DC-13 60 cyc/mn 24 V, 0.5 A 0.5 EN/IEC 60947-5-1 appendix C
Electrical reliability	Failure rate < 0.00000001 17 V, 0.005 A EN/IEC 60947-5-4 Failure rate < 0.000001 5 V, 0.001 A EN/IEC 60947-5-4
Net Weight	8.82 lb(US) (4 kg)

### Environment

Standards	EN/IEC 60947-5-1 ISO 13851 EN 574
Protective treatment	TC
Ambient air temperature for operation	-13...158 °F (-25...70 °C)
Ambient air temperature for storage	-40...158 °F (-40...70 °C)
Vibration resistance	5 gn 2...500 Hz)EN/IEC 60068-2-6
Shock resistance	10 gn 11 ms EN/IEC 60068-2-27
Electrical shock protection class	Class I EN/IEC 61140
IP degree of protection	IP65 EN/IEC 60529

## Ordering and shipping details

Category	22411 - LIMIT SWITCHES,IEC,XCKJ
Discount Schedule	T
GTIN	00785901949343
Nbr. of units in pkg.	1
Package weight(Lbs)	0.7 lb(US) (0.32 kg)
Returnability	No
Country of origin	FR

## Packing Units

Package 1 Height	4.600 dm
Package 1 width	1.800 dm
Package 1 Length	1.950 dm

## Offer Sustainability

California proposition 65	WARNING: This product can expose you to chemicals including: Nickel compounds and Di-isodecyl phthalate (DIDP) which is known to the State of California to cause Carcinogen and Reproductive harm. For more information go to <a href="http://www.p65warnings.ca.gov">www.p65warnings.ca.gov</a>
EU RoHS Directive	Pro-active compliance (Product out of EU RoHS legal scope) <a href="#">EU RoHS Declaration</a>
Mercury free	Yes
RoHS exemption information	<a href="#">Yes</a>
China RoHS Regulation	<a href="#">China RoHS Declaration</a>
Environmental Disclosure	<a href="#">Product Environmental Profile</a>
WEEE	The product must be disposed on European Union markets following specific waste collection and never end up in rubbish bins.

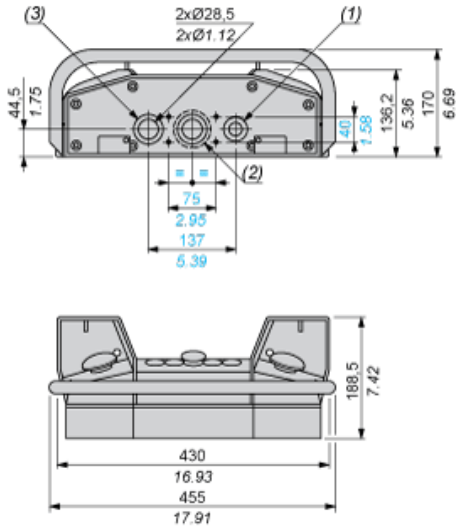
## Contractual warranty

Warranty	18 months
----------	-----------

Control Station

Dimensions

mm  
in.



- (1) 2 plain holes for n° 13 (PG13.5) or ISO M20 cable gland.
- (2) Ø 56 mm/Ø 2.20 in. knock-out specifically for mounting on pedestal.
- (3) 1 plain hole for n° 21 (PG21) cable gland. For ISO M25, use adaptor DE9RA2125 and fixing nut DE9EC21.