



Main

Range of product	Magelis XBT GC, GT/GK with control
Product or component type	Small touch HMI controller
Display size	5.7 inch
Display type	Backlit colour STN LCD
Display colour	4096 colours
Pixel resolution	320 x 240 pixels QVGA
Touch panel	Analogue
[Us] rated supply voltage	24 V DC
Supply	External source
Supply voltage limits	19.2...28.8 V
Enclosure material	PPT

Complementary

Backlight lifespan	50000 hours
Brightness	8 levels via touch panel
Contrast	8 levels via touch panel
Character font	Korean Chinese (simplified Chinese) Taiwanese (traditional Chinese) Japanese (ANK, Kanji) ASCII
Inrush current	30 A
Power consumption in W	27 W
Local signalling	1 LED green normal operation
Number of pages	Limited by internal memory capacity
Software designation	SoMachine
Operating system	Magelis
Processor name	CPU RISC
Processor frequency	131 MHz
Memory description	Application memory 16 MB Back up of data 512 kB
Integrated connection type	1 USB port (V1.1) USB type A Power supply removable screw terminal block COM1 serial link male SUB-D 9 <= 115.2 kbits/s RS232C/RS422/RS485 1 Ethernet TCP/IP RJ45
I/O expansion capacity	3 M238 modules
Realtime clock	Built-in
Downloadable protocols	Modbus Modbus TCP/IP Third party protocols Uni-TE
Fixing mode	By 4 screw clips 1.6...5 mm thick panel
Marking	CE
Discrete input number	16
Discrete input voltage	24 V
Discrete input voltage type	DC
Number of common point	11/20
Input voltage limits	20.4...28.8 V
Discrete input logic	Sink

Discrete input current	5 MA other IO.i 6.5 mA IO.0, IO.2, IO.4, IO.6
Input impedance	3.7 kOhm IO.0, IO.2, IO.4, IO.6 4.7 kOhm other IO.i
Filter time	0.5...20 ms at state 0 0.5...20 ms at state 1
Isolation between channels	None
Discrete output number	16
Discrete output type	Transistor
Discrete output voltage	24 V
Output voltage limits	20.4...28.8 V
Discrete output logic	Sink
Discrete output current	0.2 A
Maximum current per output common	1.6 A
Response time	5 µs at state 0 Q0.0...Q0.3 5 µs at state 1 Q0.0...Q0.3 500 µs at state 0 other Q0.i 500 µs at state 1 other Q0.i
[Ures] residual voltage	0.5 V at state 1
Maximum leakage current	0.1 mA
Short-circuit protection	2.5 A fuse
Maximum Height	5.31 in (135 mm)
Maximum Width	6.59 in (167.4 mm)
Maximum Depth	3.06 in (77.6 mm)
Net Weight	2.20 lb(US) (1 kg)

Environment

Immunity to microbreaks	3 ms
Standards	FCC Class A CSA C22.2 No 14 IEC 61000-6-2 EN 61131-2 UL 508 UL 1604
Product certifications	CULus CSA C-tick UL class 1 Div2 T4A ou T5
Ambient air temperature for operation	32...122 °F (0...50 °C)
Ambient air temperature for storage	-4...140 °F (-20...60 °C)
Relative humidity	10...90 % without condensation
Operating altitude	<= 6561.68 ft (2000 m)
IP degree of protection	IP20 IEC 60529 rear panel) IP65 IEC 60529 front panel)
NEMA degree of protection	NEMA 4X front panel
Shock resistance	147 m/s ² IEC 60068-2-27
Vibration resistance	+/- 3.5 mm 5...9 Hz) IEC 60068-2-6 1 gn 9...150 Hz) IEC 60068-2-6
Resistance to electromagnetic fields	9.14 V/m (10 V/m) IEC 61000-4-3

Ordering and shipping details

Category	22568 - HMI CONTROLLERS
Discount Schedule	MC2
GTIN	00785901828822
Nbr. of units in pkg.	1
Package weight(Lbs)	2.2 lb(US) (1.00 kg)
Returnability	No
Country of origin	CN

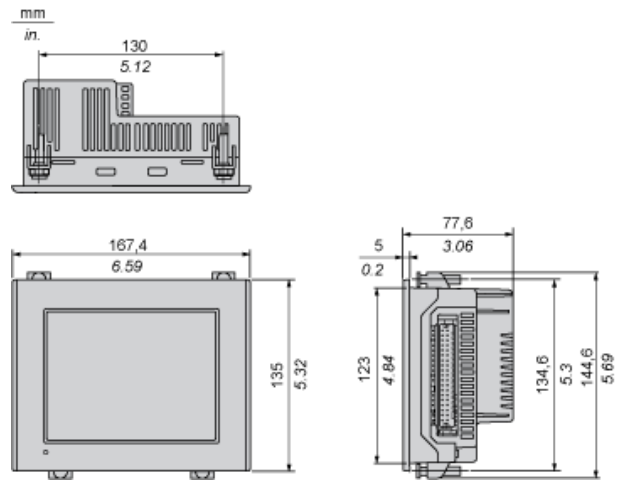
Packing Units

Package 1 Height	6.69 in (170.000 mm)
Package 1 width	8.66 in (220.000 mm)
Package 1 Length	10.63 in (270.000 mm)

Contractual warranty

Warranty	18 months
----------	-----------

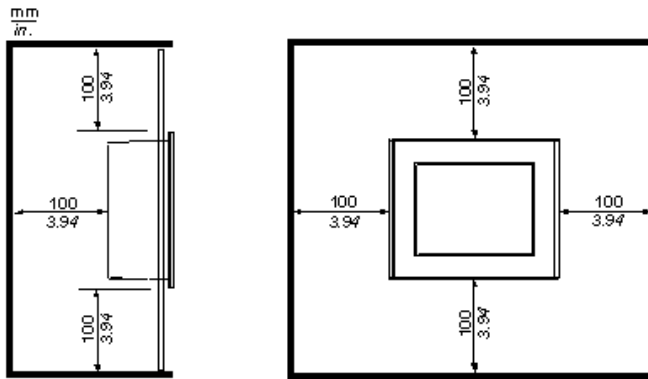
Dimensions



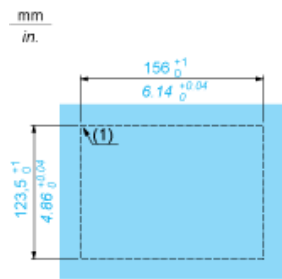
Clearance

Installation Requirements

For easier maintenance, operation and improved ventilation, be sure to install the unit at least 100 mm (3.94 in) away from adjacent structures and other equipment:



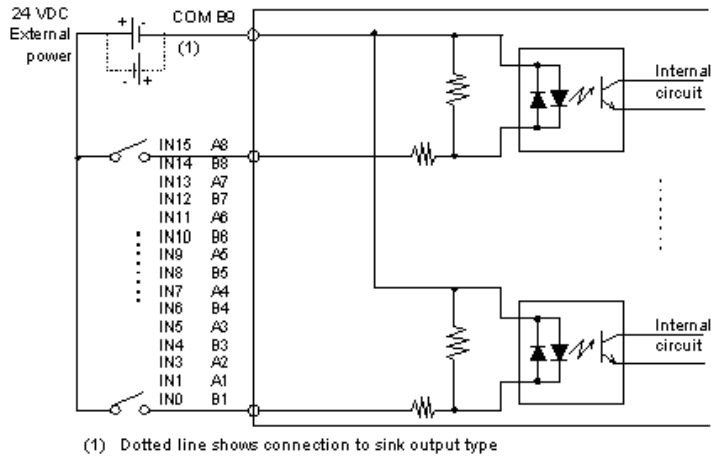
Panel Cut-out Dimensions



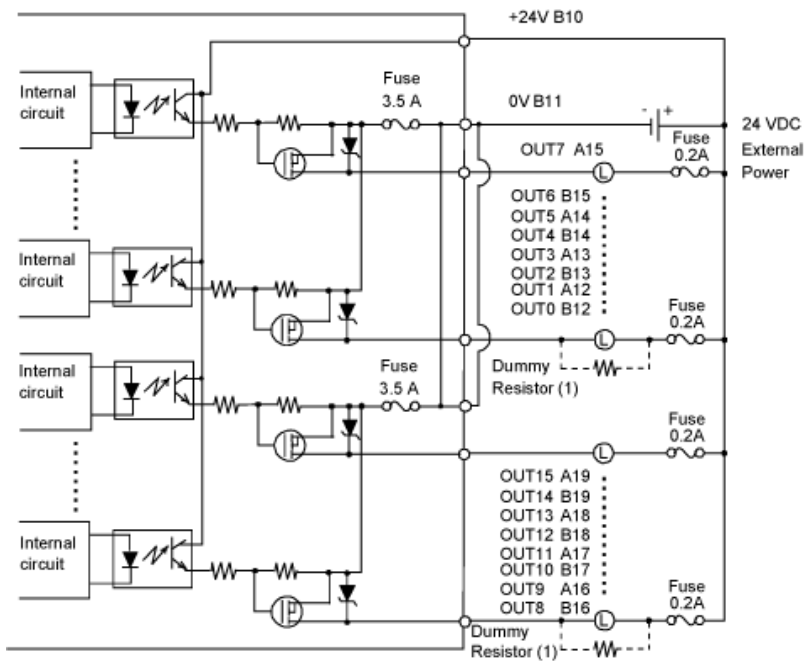
(1) $r < 3$

Wiring Diagrams

Input Circuit



Output Circuit (Sink)



(1) (Example) The output delay time (OFF to ON) is 1.5 μ s where the output current is 50 mA. Install an external dummy resistor to increase the amount of current when faster response is required when the load is light.