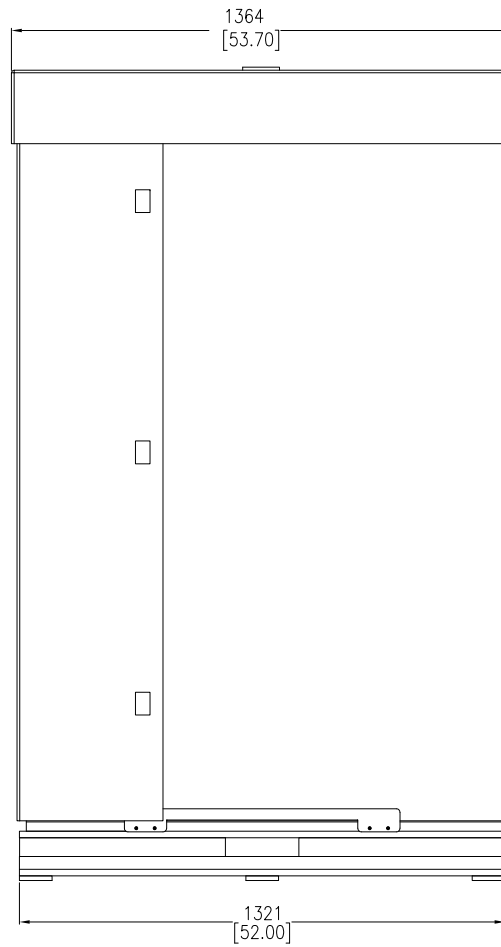
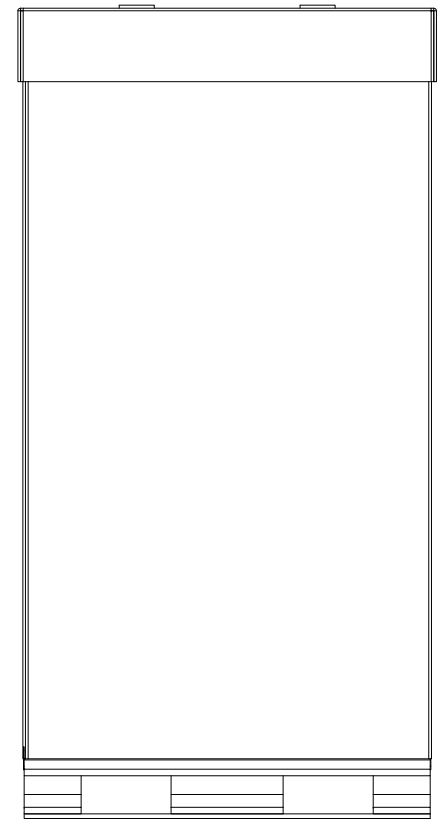


FRONT VIEW



LEFT SIDE VIEW

FRONT



REAR VIEW

- NOTES:
1. INSTALLATION SHALL COMPLY WITH ALL APPLICABLE NATIONAL, STATE AND LOCAL ELECTRICAL REGULATIONS.
 2. REFER TO PRODUCT DOCUMENTATION FOR ADDITIONAL DETAILS PRIOR TO INSTALLATION AND SITE PREPARATION WORK.
 3. ALL DIMENSIONS ARE IN MILLIMETERS [INCHES].
 4. SHIPPING WEIGHT OF UNIT IS 277 kg [610 lb].

THIS DRAWING AND SPECIFICATIONS HEREIN ARE THE PROPERTY OF SCHNEIDER ELECTRIC AND SHALL NOT BE COPIED, REPRODUCED OR USED IN WHOLE OR IN PART, AS THE BASIS FOR THE MANUFACTURE OR SALE OF ITEMS WITHOUT WRITTEN PERMISSION FROM SCHNEIDER ELECTRIC. THIS DRAWING IS BASED UPON LATEST AVAILABLE INFORMATION AND IS SUBJECT TO CHANGE WITHOUT NOTICE.



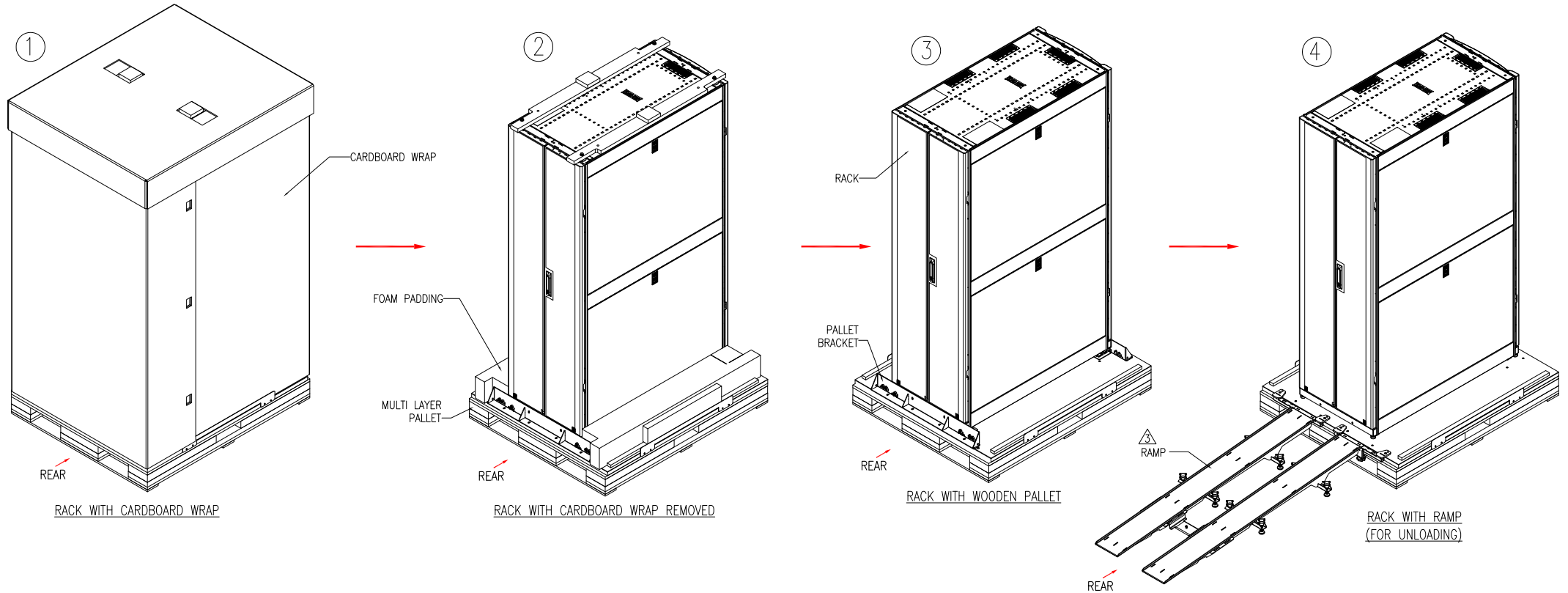
TITLE: NetShelter HS 42U
600mm WIDE X 1200mm DEEP
ENCLOSURE WITH SIDES-SHOCK PACKAGING
PACKING DETAILS

PROJECT: SUBMITTAL DRAWINGS SHEET 1 OF 8

DWG NO: AR9300SP REV. 0

DRAWN BY: JAYAPRAKASH	01-SEP-17	FIRST ANGLE PROJECTION
ENGINEER: RICHARD PHILLIPS	08-SEP-17	
APPROVED BY: FARRUKH SYED	08-SEP-17	

UNPACKING AND UNLOADING STEPS



NOTES:

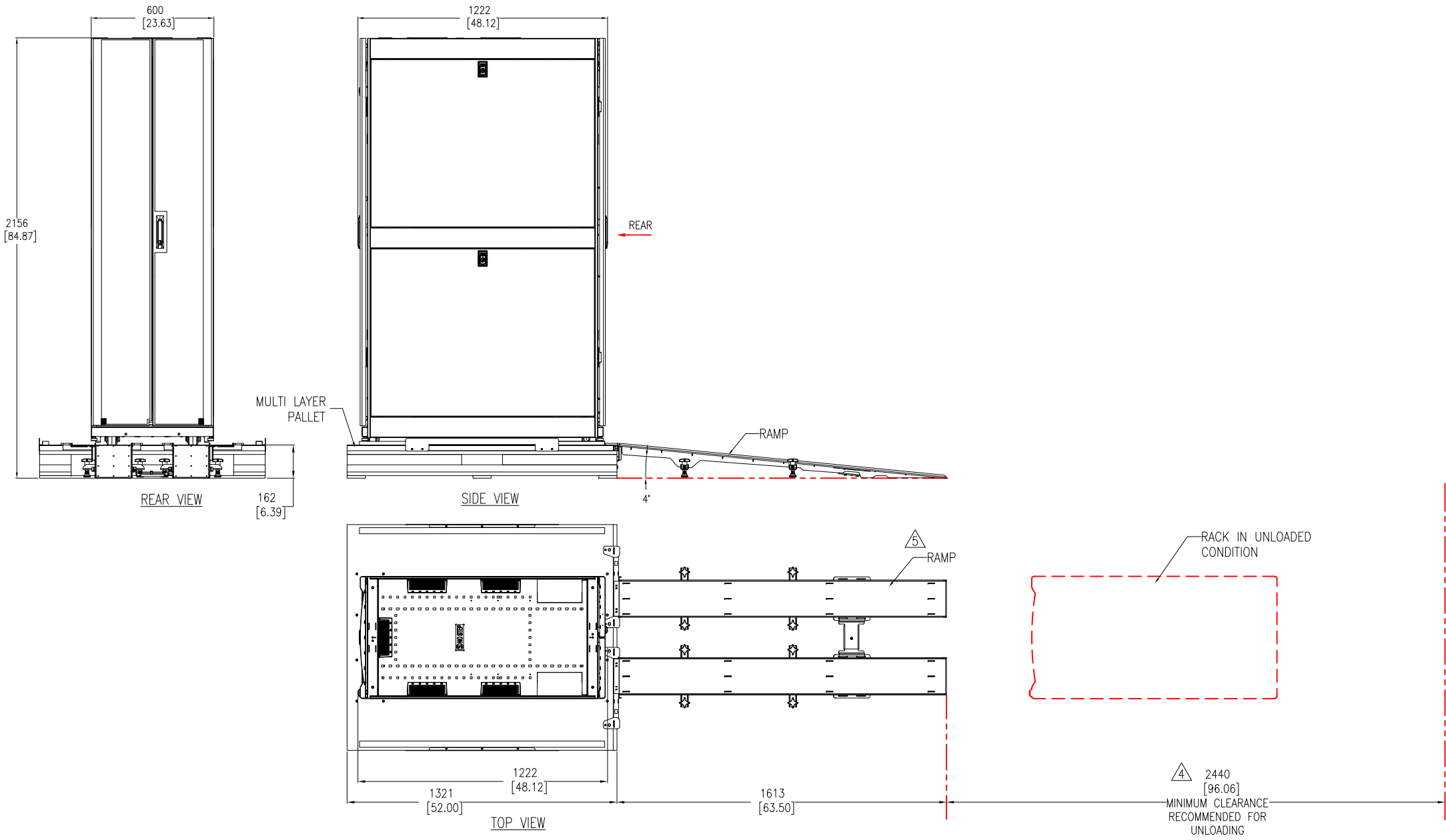
- 1. INSTALLATION SHALL COMPLY WITH ALL APPLICABLE NATIONAL, STATE AND LOCAL ELECTRICAL REGULATIONS.
- 2. REFER TO PRODUCT DOCUMENTATION FOR ADDITIONAL DETAILS PRIOR TO INSTALLATION AND SITE PREPARATION WORK.
- △3. RAMP SKU #: AR9000RAMP IS NOT PART OF THIS SKU AND HAS TO BE ORDERED SEPARATELY.

THIS DRAWING AND SPECIFICATIONS HEREIN ARE THE PROPERTY OF SCHNEIDER ELECTRIC AND SHALL NOT BE COPIED, REPRODUCED OR USED IN WHOLE OR IN PART, AS THE BASIS FOR THE MANUFACTURE OR SALE OF ITEMS WITHOUT WRITTEN PERMISSION FROM SCHNEIDER ELECTRIC. THIS DRAWING IS BASED UPON LATEST AVAILABLE INFORMATION AND IS SUBJECT TO CHANGE WITHOUT NOTICE.



TITLE: NetShelter HS 42U
600mm WIDE X 1200mm DEEP
ENCLOSURE WITH SIDES-SHOCK PACKAGING
UNPACKING/UNLOADING-ISOMETRIC VIEWS
PROJECT: SUBMITTAL DRAWINGS SHEET 2 OF 8

DWG NO:	AR9300SP	REV:	0
DRAWN BY:	JAYAPRAKASH	DATE:	01-SEP-17
ENGINEER:	RICHARD PHILLIPS	DATE:	08-SEP-17
APPROVED BY:	FARRUKH SYED	DATE:	08-SEP-17
			FIRST ANGLE PROJECTION



NOTES:

1. INSTALLATION SHALL COMPLY WITH ALL APPLICABLE NATIONAL, STATE AND LOCAL ELECTRICAL REGULATIONS.
2. REFER TO PRODUCT DOCUMENTATION FOR ADDITIONAL DETAILS PRIOR TO INSTALLATION AND SITE PREPARATION WORK.
3. ALL DIMENSIONS ARE IN MILLIMETERS [INCHES].
- △4. RECOMMENDED SPACE FOR UNLOADING=PALLET DEPTH+RAMP LENGTH+RACK DEPTH+RACK ROLLING DISTANCE OF 1219mm [48 inches]
- △5. RAMP SKU #: AR900ORAMP IS NOT PART OF THIS SKU AND HAS TO BE ORDERED SEPARATELY.

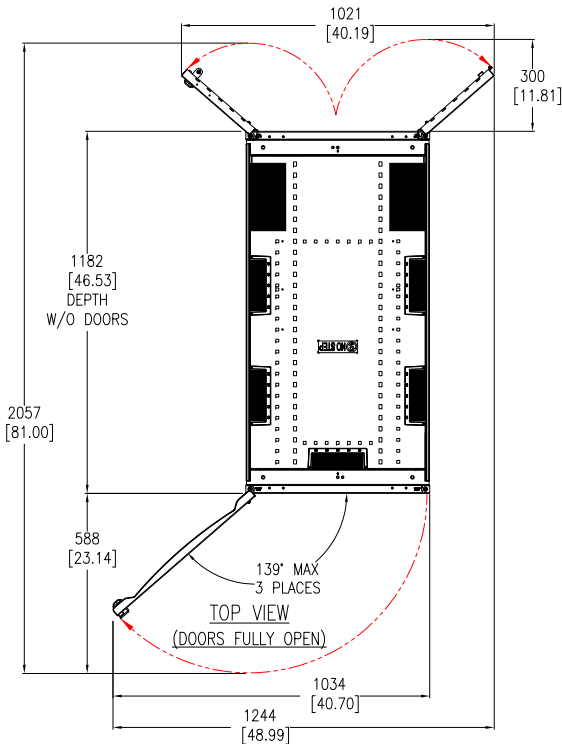
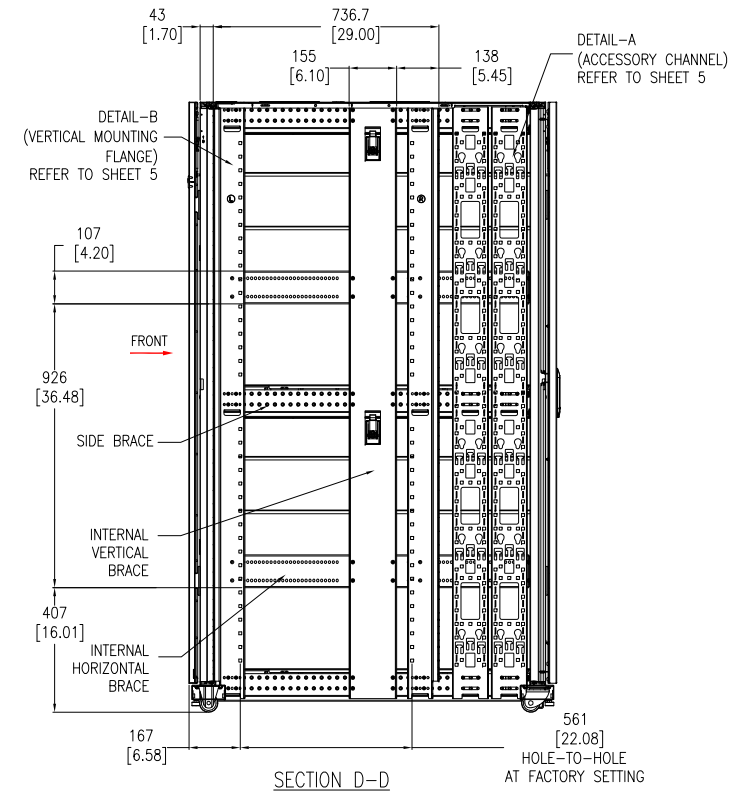
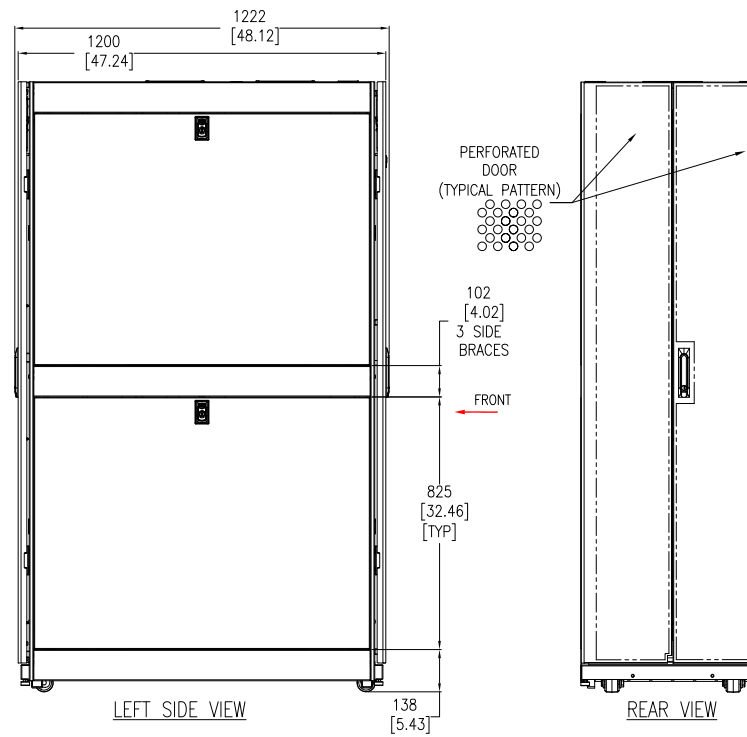
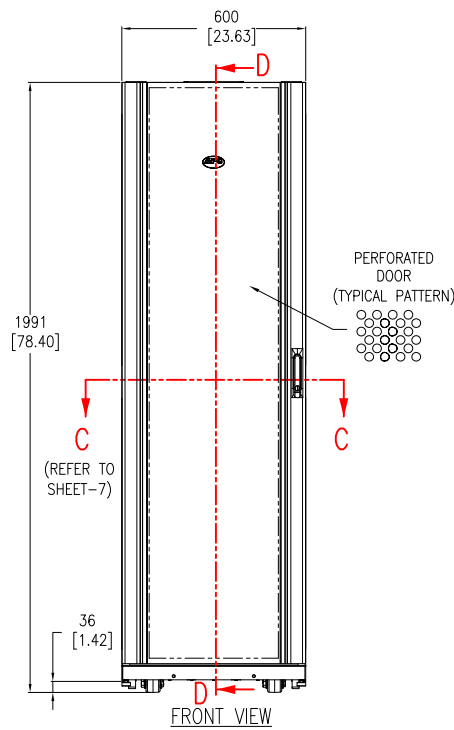
THIS DRAWING AND SPECIFICATIONS HEREIN ARE THE PROPERTY OF SCHNEIDER ELECTRIC AND SHALL NOT BE COPIED, REPRODUCED OR USED IN WHOLE OR IN PART, AS THE BASIS FOR THE MANUFACTURE OR SALE OF ITEMS WITHOUT WRITTEN PERMISSION FROM SCHNEIDER ELECTRIC. THIS DRAWING IS BASED UPON LATEST AVAILABLE INFORMATION AND IS SUBJECT TO CHANGE WITHOUT NOTICE.



TITLE: NetShelter HS 42U ENCLOSURE WITH SIDES-SHOCK PACKAGING UNLOADING DETAILS
 PROJECT: SUBMITTAL DRAWINGS SHEET 3 OF 8

DWG NO: AR9300SP
 DRAWN BY: JAYAPRAKASH
 ENGINEER: RICHARD PHILLIPS
 APPROVED BY: FARRUKH SYED

REV. 0
 01-SEP-17
 08-SEP-17
 08-SEP-17
 FIRST ANGLE PROJECTION



NOTES:

1. INSTALLATION SHALL COMPLY WITH ALL APPLICABLE NATIONAL, STATE AND LOCAL ELECTRICAL REGULATIONS.
2. REFER TO PRODUCT DOCUMENTATION FOR ADDITIONAL DETAILS PRIOR TO INSTALLATION AND SITE PREPARATION WORK.
3. ALL DIMENSIONS ARE IN MILLIMETERS [INCHES].
4. NET WEIGHT OF UNIT IS 185Kg [407 lb].
5. MAXIMUM INSTALLATION WEIGHT IS 2113kg [4658 lb] FOR FLOOR LOADING CALCULATIONS. EQUIPMENT WEIGHT INSIDE RACK NOT TO EXCEED 1588kg [3500 lb].
6. CABLE ENTRY IS TOP OR BOTTOM OF THE UNIT.
7. FRONT AND REAR SERVICE ACCESS REQUIRED.
8. AIR FLOW AND SERVICE REQUIREMENTS, AS WELL AS MINIMUM CLEARANCE TO FIRE SUPPRESSION SYSTEMS SHOULD BE CONSIDERED WHEN LOCATING THE ENCLOSURE.

THIS DRAWING AND SPECIFICATIONS HEREIN ARE THE PROPERTY OF SCHNEIDER ELECTRIC AND SHALL NOT BE COPIED, REPRODUCED OR USED IN WHOLE OR IN PART, AS THE BASIS FOR THE MANUFACTURE OR SALE OF ITEMS WITHOUT WRITTEN PERMISSION FROM SCHNEIDER ELECTRIC. THIS DRAWING IS BASED UPON LATEST AVAILABLE INFORMATION AND IS SUBJECT TO CHANGE WITHOUT NOTICE.

Schneider Electric

TITLE:
NetShelter HS 42U
600mm WIDE X 1200mm DEEP
ENCLOSURE WITH SIDES-SHOCK PACKAGING
GENERAL ARRANGEMENT

PROJECT: SUBMITTAL DRAWINGS SHEET 4 OF 8

DWG NO: **AR9300SP**

DRAWN BY: JAYAPRAKASH 01-SEP-17

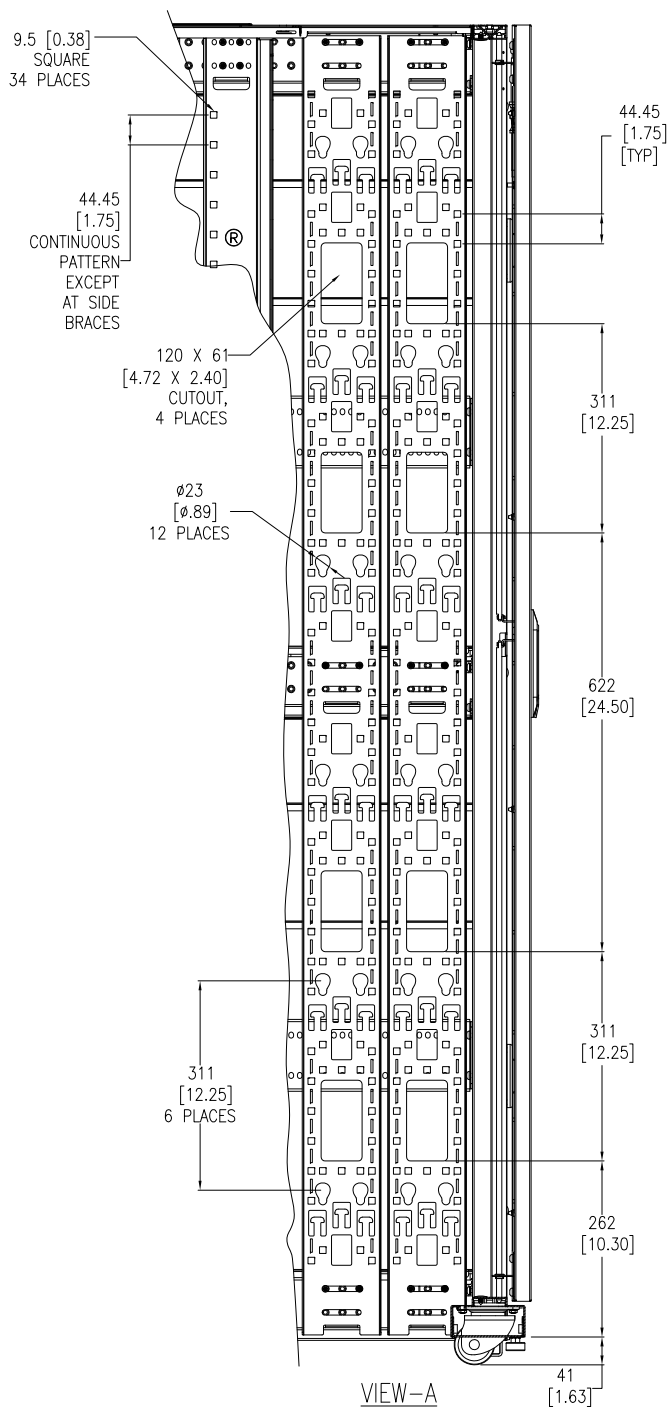
ENGINEER: RICHARD PHILLIPS 08-SEP-17

APPROVED BY: FARRUKH SYED 08-SEP-17

REV. **0**

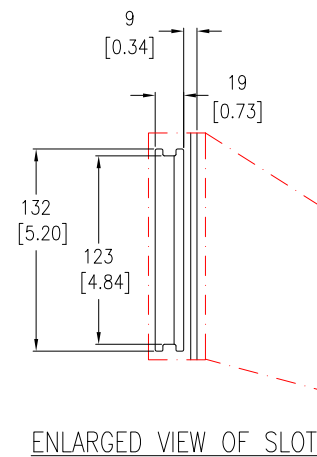
FIRST ANGLE

PROJECTION

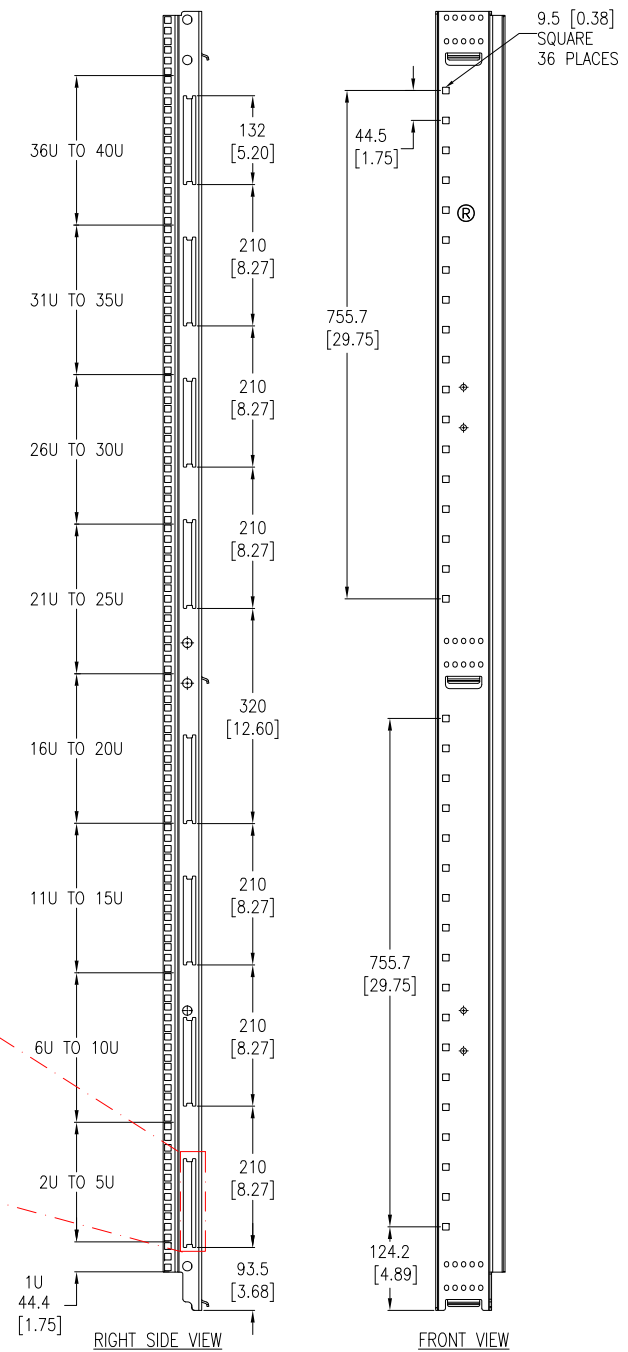


VIEW-A
RMPDU MOUNTING DETAILS

- NOTES:
1. INSTALLATION SHALL COMPLY WITH ALL APPLICABLE NATIONAL, STATE AND LOCAL ELECTRICAL REGULATIONS.
 2. REFER TO PRODUCT DOCUMENTATION FOR ADDITIONAL DETAILS PRIOR TO INSTALLATION AND SITE PREPARATION WORK.
 3. ALL DIMENSIONS ARE IN MILLIMETERS [INCHES].



ENLARGED VIEW OF SLOT



VIEW-B
MOUNTING FLANGE DETAILS

THIS DRAWING AND SPECIFICATIONS HEREIN ARE THE PROPERTY OF SCHNEIDER ELECTRIC AND SHALL NOT BE COPIED, REPRODUCED OR USED IN WHOLE OR IN PART, AS THE BASIS FOR THE MANUFACTURE OR SALE OF ITEMS WITHOUT WRITTEN PERMISSION FROM SCHNEIDER ELECTRIC. THIS DRAWING IS BASED UPON LATEST AVAILABLE INFORMATION AND IS SUBJECT TO CHANGE WITHOUT NOTICE.



TITLE:
NetShelter HS 42U
600mm WIDE X 1200mm DEEP
ENCLOSURE WITH SIDES-SHOCK PACKAGING
ENLARGED VIEWS

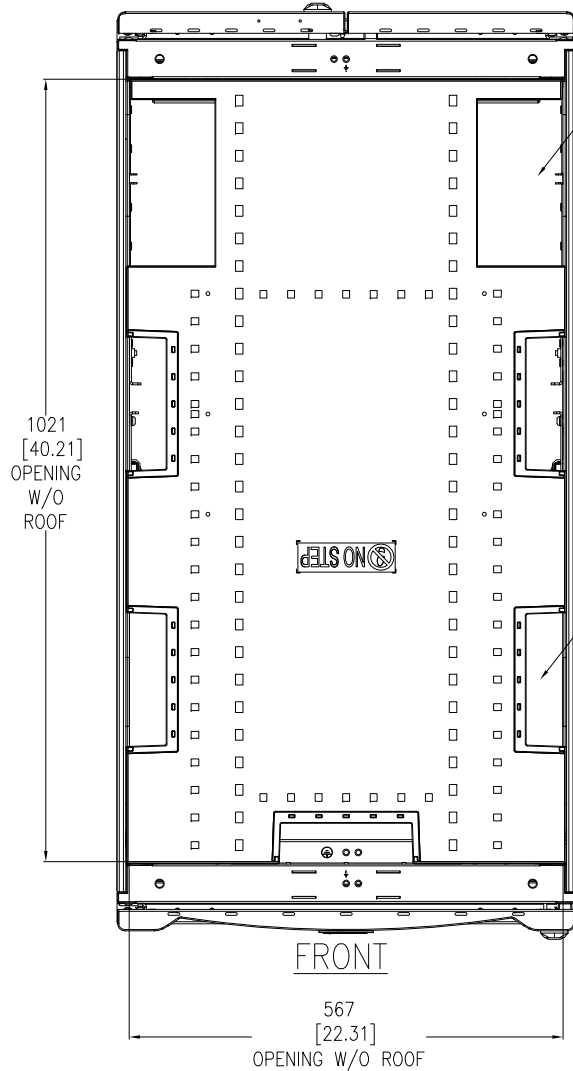
PROJECT: SUBMITTAL DRAWINGS SHEET 5 OF 8

DWG NO: AR9300SP REV: 0

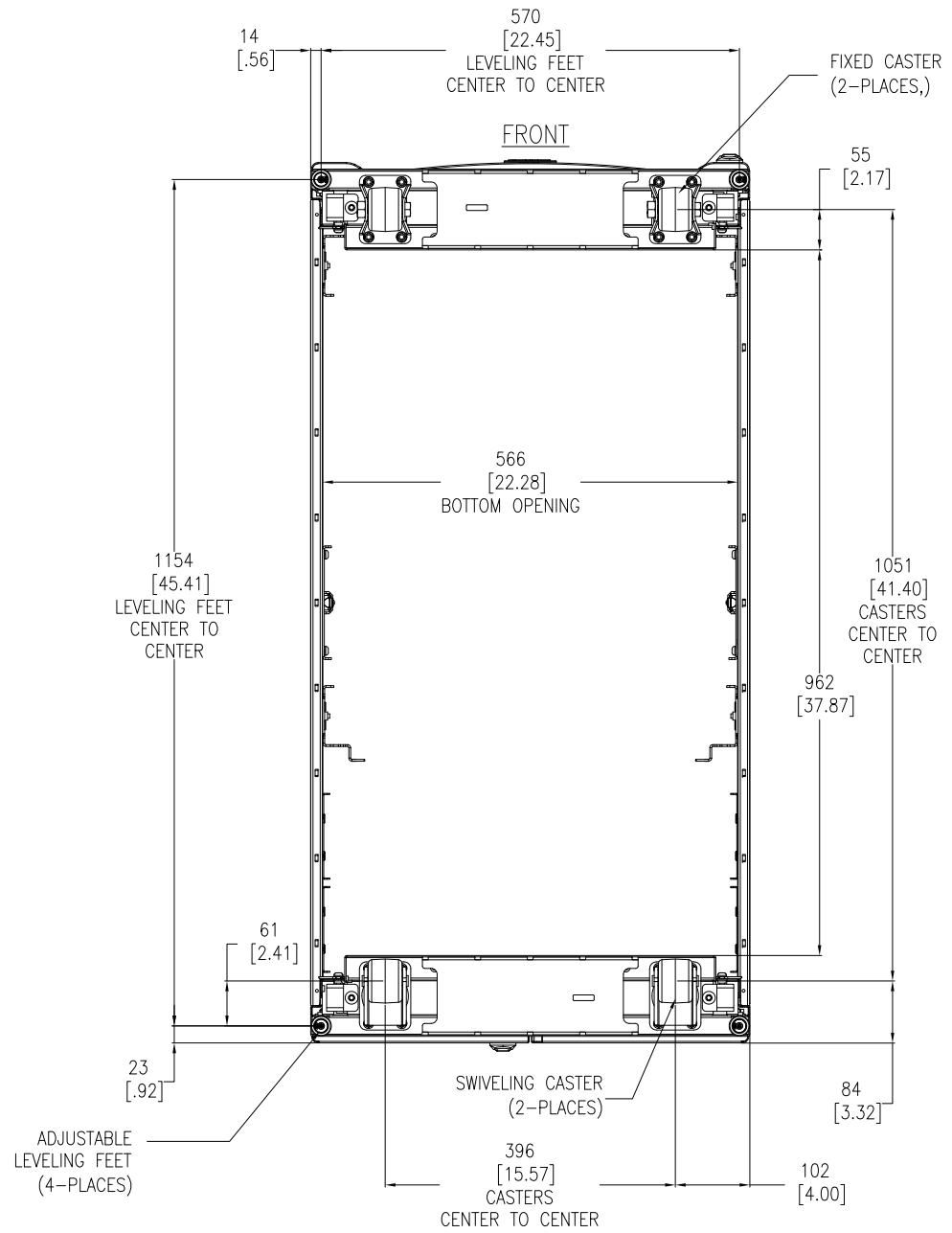
DRAWN BY: JAYAPRAKASH 01-SEP-17 FIRST ANGLE PROJECTION

ENGINEER: RICHARD PHILLIPS 08-SEP-17

APPROVED BY: FARRUKH SYED 08-SEP-17



TOP VIEW
CABLE OPENINGS
(COVERS REMOVED)



BOTTOM VIEW
(TOP ROOF NOT SHOWN)

- NOTES:
1. INSTALLATION SHALL COMPLY WITH ALL APPLICABLE NATIONAL, STATE AND LOCAL ELECTRICAL REGULATIONS.
 2. REFER TO PRODUCT DOCUMENTATION FOR ADDITIONAL DETAILS PRIOR TO INSTALLATION AND SITE PREPARATION WORK.
 3. ALL DIMENSIONS ARE IN MILLIMETERS [INCHES].

THIS DRAWING AND SPECIFICATIONS HEREIN ARE THE PROPERTY OF SCHNEIDER ELECTRIC AND SHALL NOT BE COPIED, REPRODUCED OR USED IN WHOLE OR IN PART, AS THE BASIS FOR THE MANUFACTURE OR SALE OF ITEMS WITHOUT WRITTEN PERMISSION FROM SCHNEIDER ELECTRIC. THIS DRAWING IS BASED UPON LATEST AVAILABLE INFORMATION AND IS SUBJECT TO CHANGE WITHOUT NOTICE.

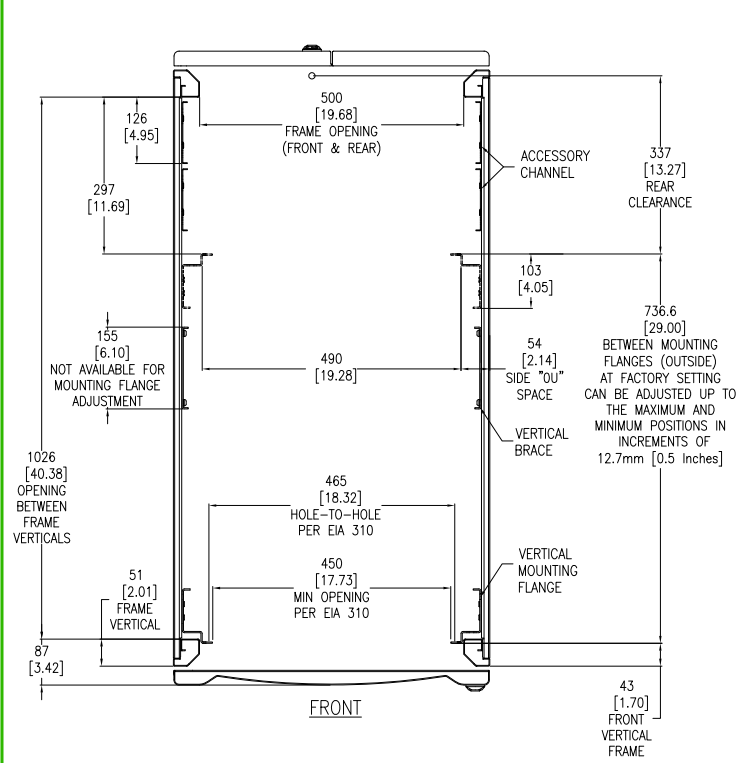
Schneider Electric

TITLE: NetShelter HS 42U
ENCLOSURE WITH SIDES-SHOCK PACKAGING
TOP AND BOTTOM VIEWS

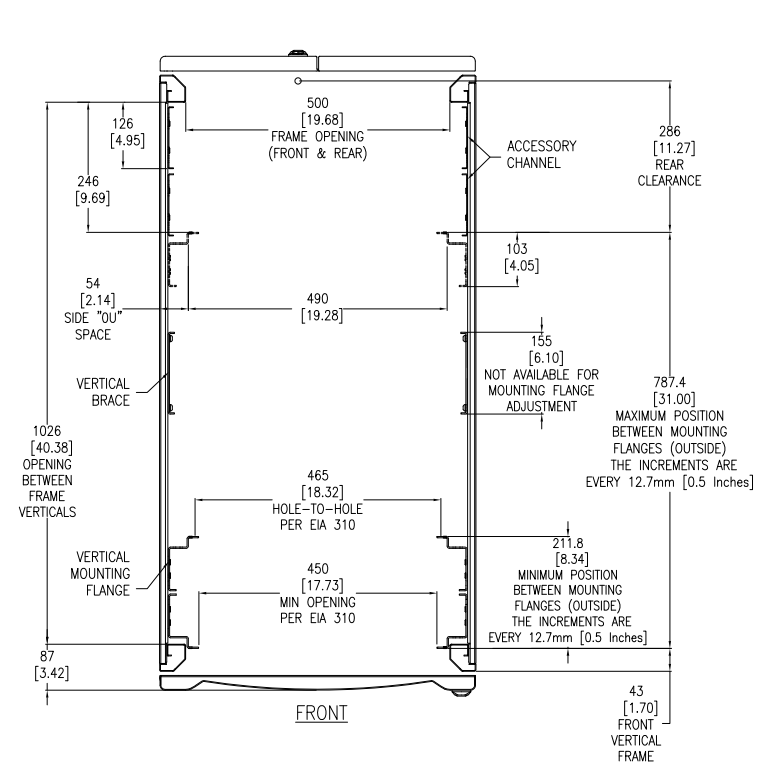
PROJECT: SUBMITTAL DRAWINGS SHEET 6 OF 8

DWG NO: AR9300SP REV: 0

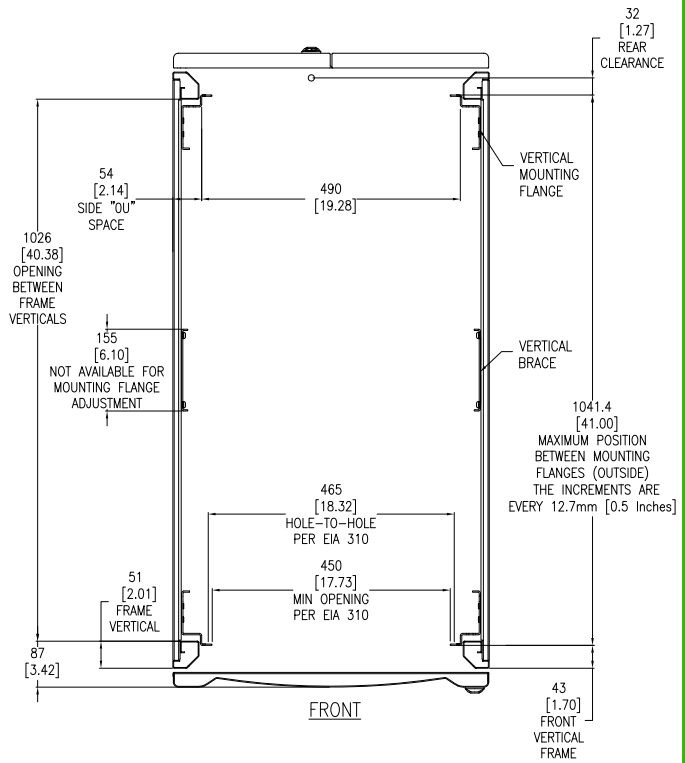
DRAWN BY: JAYAPRAKASH	01-SEP-17	FIRST ANGLE PROJECTION
ENGINEER: RICHARD PHILLIPS	08-SEP-17	
APPROVED BY: FARRUKH SYED	08-SEP-17	



SECTION C-C
 STANDARD POSITIONS FOR MOUNTING FLANGES AND
 THEIR ADJUSTABILITY WITH TWO ACCESSORY CHANNELS INSTALLED
 (LOOKING DOWN)



SECTION C-C
 MAXIMUM AND MINIMUM POSITIONS FOR MOUNTING FLANGES AND
 THEIR ADJUSTABILITY WITH TWO ACCESSORY CHANNELS INSTALLED
 (LOOKING DOWN)



SECTION C-C
 POSITIONS FOR MOUNTING FLANGES AND
 THEIR ADJUSTABILITY WHEN THE ACCESSORY CHANNELS ARE REMOVED
 (LOOKING DOWN)

- NOTES:**
1. INSTALLATION SHALL COMPLY WITH ALL APPLICABLE NATIONAL, STATE AND LOCAL ELECTRICAL REGULATIONS.
 2. REFER TO PRODUCT DOCUMENTATION FOR ADDITIONAL DETAILS PRIOR TO INSTALLATION AND SITE PREPARATION WORK.
 3. ALL DIMENSIONS ARE IN MILLIMETERS [INCHES].

THIS DRAWING AND SPECIFICATIONS HEREIN ARE THE PROPERTY OF SCHNEIDER ELECTRIC AND SHALL NOT BE COPIED, REPRODUCED OR USED IN WHOLE OR IN PART, AS THE BASIS FOR THE MANUFACTURE OR SALE OF ITEMS WITHOUT WRITTEN PERMISSION FROM SCHNEIDER ELECTRIC. THIS DRAWING IS BASED UPON LATEST AVAILABLE INFORMATION AND IS SUBJECT TO CHANGE WITHOUT NOTICE.



TITLE: NetShelter HS 42U
 600mm WIDE X 1200mm DEEP
 ENCLOSURE WITH SIDES-SHOCK PACKAGING
 SECTION VIEWS

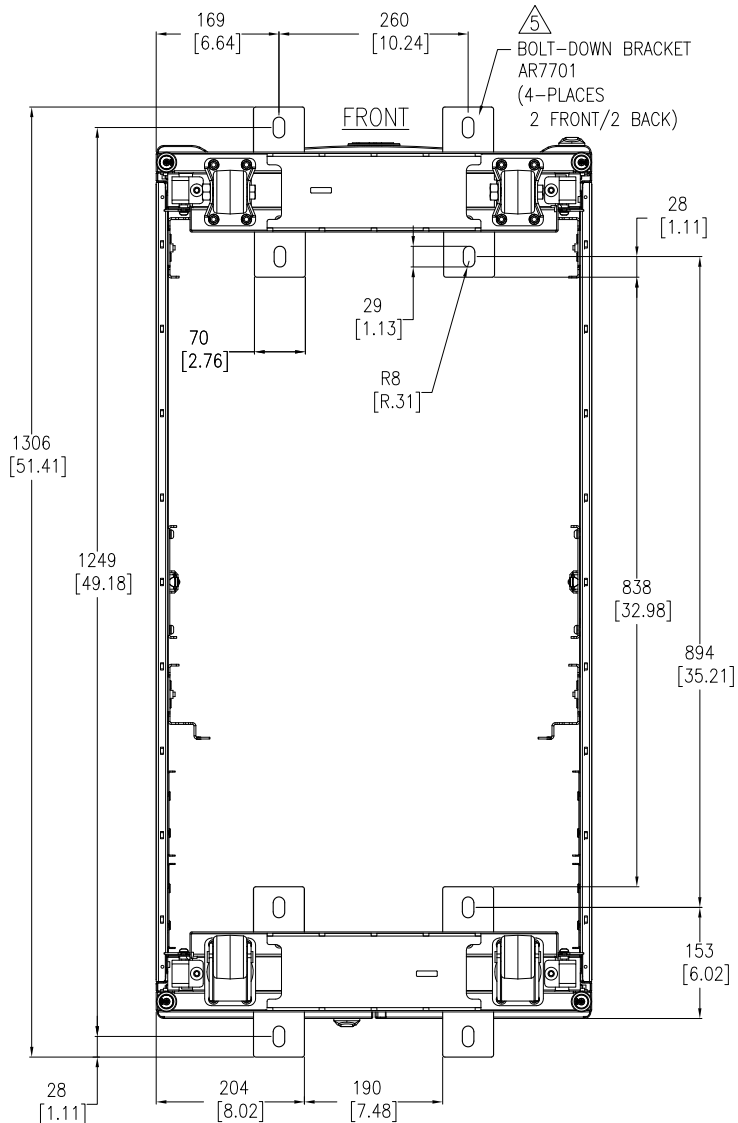
PROJECT: SUBMITTAL DRAWINGS **SHEET 7 OF 8**

DWG NO: AR9300SP **REV:** 0

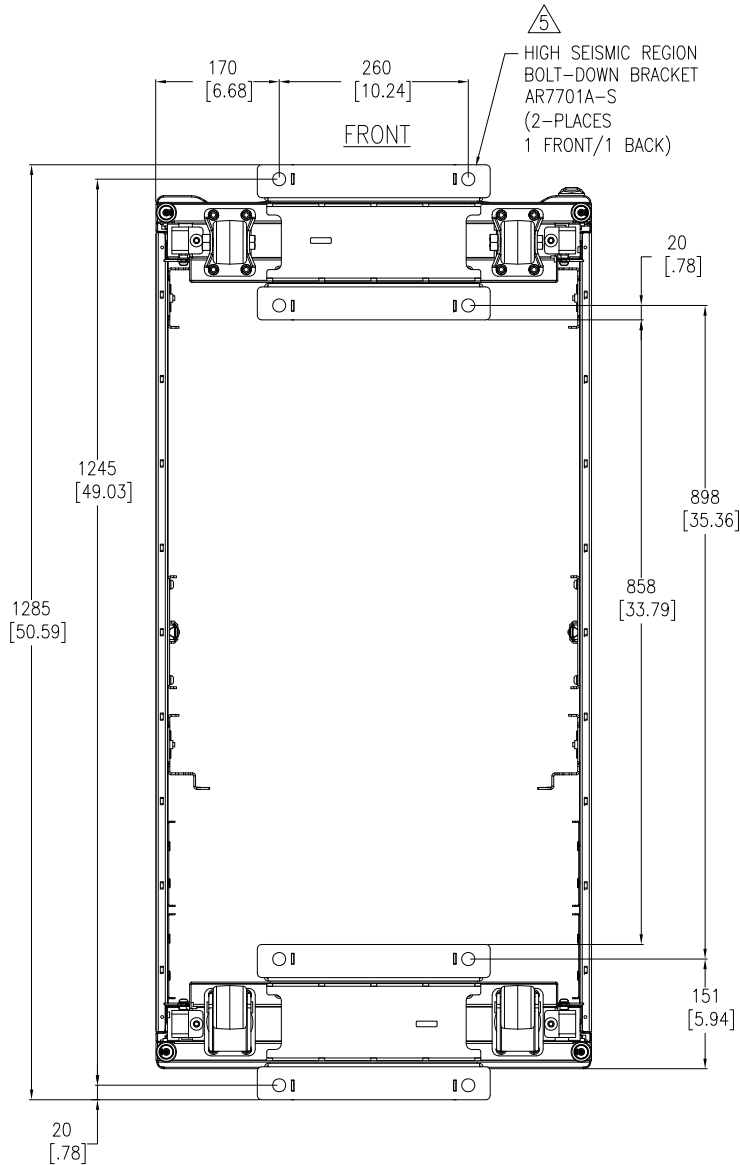
DRAWN BY: JAYAPRAKASH **01-SEP-17** **FIRST ANGLE**

ENGINEER: RICHARD PHILLIPS **08-SEP-17** **PROJECTION**

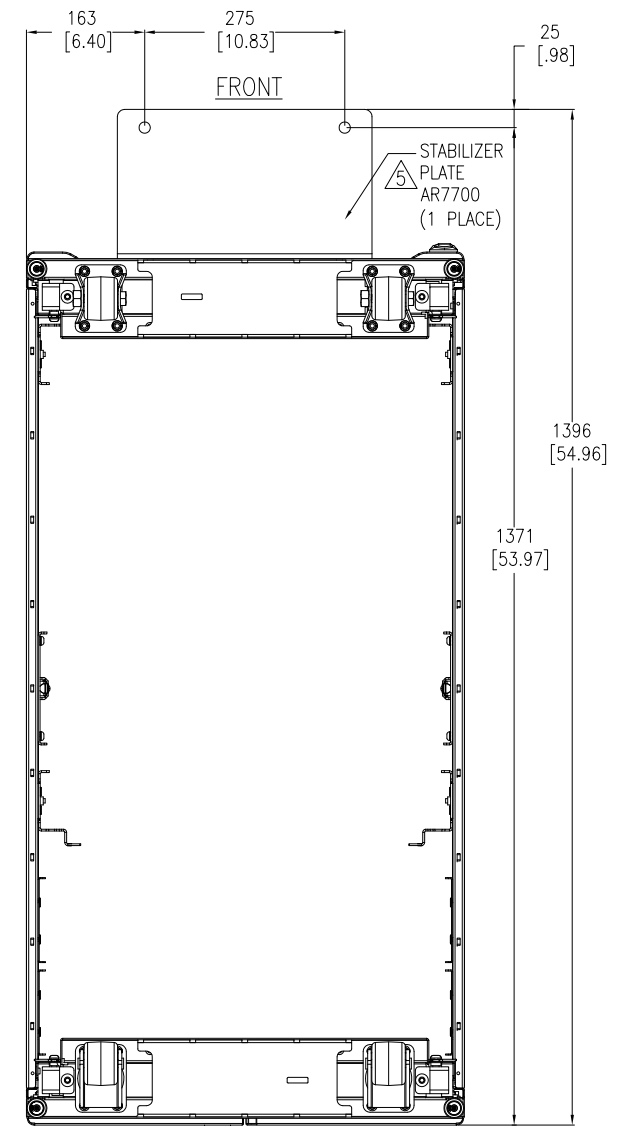
APPROVED BY: FARRUKH SYED **08-SEP-17**



BOTTOM VIEW
 (WITH OPTIONAL BOLT-DOWN BRACKETS FOR ANCHORING)
 TOP ROOF NOT SHOWN



BOTTOM VIEW
 (WITH OPTIONAL HIGH SEISMIC AND OSHPD
 BOLT-DOWN BRACKETS FOR ANCHORING)
 TOP ROOF NOT SHOWN



BOTTOM VIEW
 (WITH OPTIONAL STABILIZER PLATE FOR ANCHORING)
 TOP ROOF NOT SHOWN

- NOTES:**
1. INSTALLATION SHALL COMPLY WITH ALL APPLICABLE NATIONAL, STATE AND LOCAL ELECTRICAL REGULATIONS.
 2. REFER TO PRODUCT DOCUMENTATION FOR ADDITIONAL DETAILS PRIOR TO INSTALLATION AND SITE PREPARATION WORK.
 3. ALL DIMENSIONS ARE IN MILLIMETERS [INCHES].
 4. ANCHORING CAN BE INSTALLED EITHER INSIDE OR OUTSIDE OF THE CABINET WITH ONE AT FRONT AND ONE IN BACK.
- △5. BOLT-DOWN KITS (SKU#: AR7700, AR7701 AND AR7701A-S) ARE OPTIONAL AND HAVE TO BE ORDERED SEPARATELY AS NEEDED.

THIS DRAWING AND SPECIFICATIONS HEREIN ARE THE PROPERTY OF SCHNEIDER ELECTRIC AND SHALL NOT BE COPIED, REPRODUCED OR USED IN WHOLE OR IN PART, AS THE BASIS FOR THE MANUFACTURE OR SALE OF ITEMS WITHOUT WRITTEN PERMISSION FROM SCHNEIDER ELECTRIC. THIS DRAWING IS BASED UPON LATEST AVAILABLE INFORMATION AND IS SUBJECT TO CHANGE WITHOUT NOTICE.



TITLE:
 NetShelter HS 42U
 600mm WIDE X 1200mm DEEP
 ENCLOSURE WITH SIDES-SHOCK PACKAGING
 ANCHORING VIEWS

PROJECT: SUBMITTAL DRAWINGS **SHEET:** 8 OF 8

DWG NO: AR9300SP **REV:** 0

DRAWN BY: JAYAPRAKASH **01-SEP-17** **FIRST ANGLE PROJECTION**

ENGINEER: RICHARD PHILLIPS **08-SEP-17**

APPROVED BY: FARRUKH SYED **08-SEP-17**