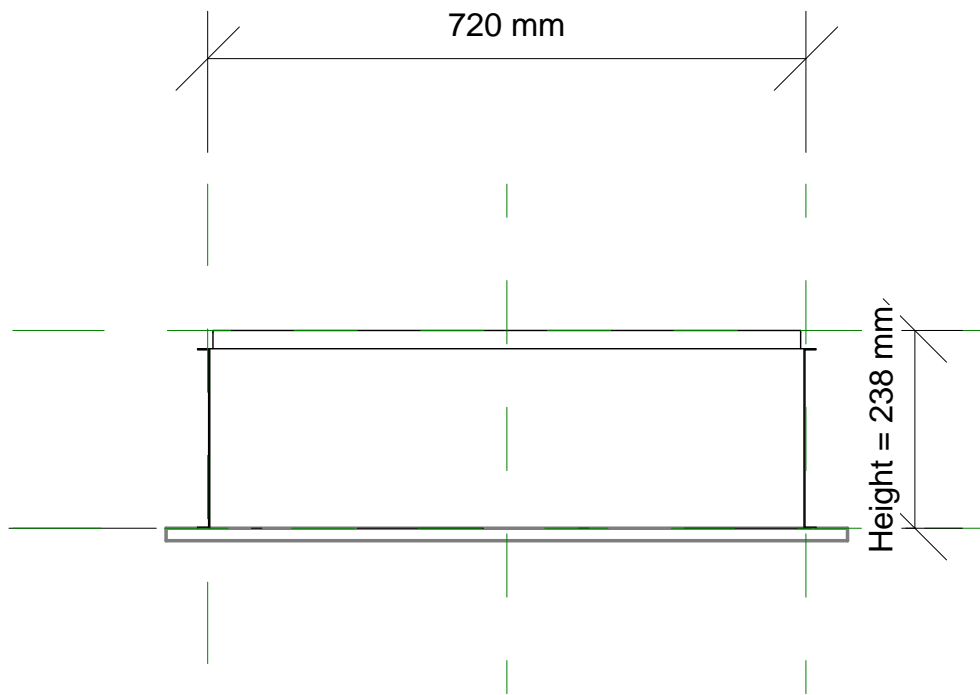
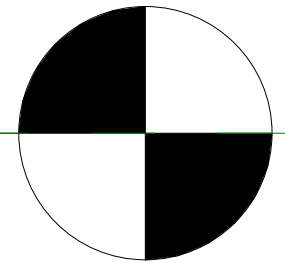


BACK VIEW



Ref. Level
0 mm



BOTTOM VIEW

