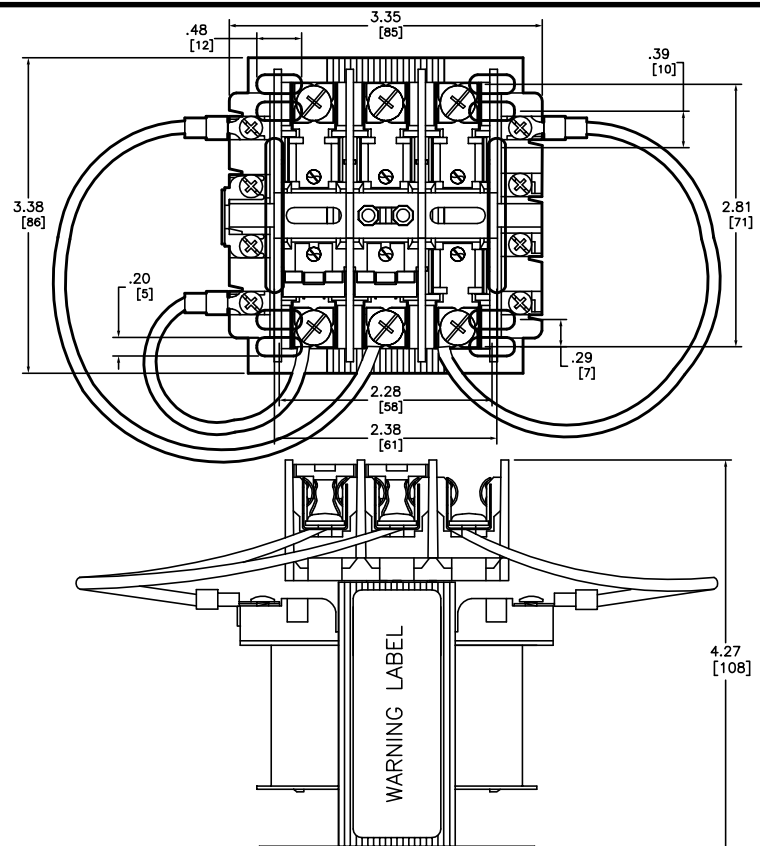


CATALOG NUMBER	PRIMARY VOLTAGE	SECONDARY VOLTAGE	50/60 Hz 1 PHASE		APPROXIMATE WEIGHT (Lbs./Kg)
			UL/CUL/CSA/NOM RATINGS (VA)	CE RATINGS (VA)	
9070TF75D1	220/440 230/480 240/480	110 115 120	75	75	3.9 / 1.7
9070TF75D2	240/480	24	75	75	3.8 / 1.7
9070TF75D23	120/240	24	75	75	3.8 / 1.7



FILES/STANDARDS:
 UL/CUL FILE: E61239
 CSA FILE: LR37055
 CE: TUV CERTIFIED TO 61558
 NOM 117

75VA—CONTROL POWER TRANSFORMER
 9070 TYPE TF
 CATALOG NUMBERS: FROM CHART



DWG# 5915
 NO.