

# HMISTO501

## touch panel screen 3"4 Monochrome W/P/R for Zelio

Product availability: Stock - Normally stocked in distribution facility

Price\*: 259.00 USD



### Main

Commercial Status	Commercialised
Range of product	Magelis STO & STU
Product or component type	Touch panel screen
Software designation	Vijeo Designer
Operating system	Magelis
Processor name	CPU RISC

### Complementary

Display size	3.4 inch
Display type	Backlit monochrome STN LCD
Background colour	Red White Pink
Pixel resolution	200 x 80 pixels
Touch panel	Analogue
Backlight lifespan	50000 hours (white) 50000 hours (pink) 10000 hours (red)
Brightness	8 levels
Contrast	16 levels via touch panel
Character font	ASCII Chinese (simplified Chinese) Japanese (ANK, Kanji) Korean Taiwanese (traditional Chinese)
[Us] rated supply voltage	24 V DC +/- 20 %
Inrush current	<= 30 A
Local signalling	1 LED (green) normal operation
Power consumption	5 W
Number of pages	Limited by internal memory capacity
Processor frequency	333 MHz
Memory description	Back up of data, 128 kB Application memory, 16 MB
Integrated connection type	Serial link 9-pin terminal block (RS232C) Power supply removable screw terminal block 1 USB (V2.0) port USB type A 1 USB (V2.0) port mini B USB
Realtime clock	Access to the PLC real-time clock
Downloadable protocols	Zelio
Range compatibility	Zelio Logic
Fixing mode	By 2 spring clips on 1.6...5 mm thick panel
Enclosure material	PPT
Marking	CE

## Environment

Immunity to microbreaks	<= 3 ms
Standards	EN 61131-2 FCC Class A IEC 61000-6-2 UL 1604 UL 508
Product certifications	CE C-Tick CULus UL Class 1 Division 2 T4A UL Class 1 Division 2 T5
Ambient air temperature for operation	32...122 °F (0...50 °C)
Ambient air temperature for storage	-4...140 °F (-20...60 °C)
Relative humidity	0...90 % without condensation
Operating altitude	<= 6561.68 ft (2000 m)
IP degree of protection	IP65 (front panel) conforming to IEC 60529 IP20 (rear panel) conforming to IEC 60529
NEMA degree of protection	NEMA 4X front panel (indoor use)
Shock resistance	15 gn 11 ms conforming to IEC 60068-2-27
Vibration resistance	1 gn (f = 9...150 Hz) conforming to IEC 60068-2-6 +/- 3.5 mm (f = 5...9 Hz) conforming to IEC 60068-2-6
Electromagnetic compatibility	Resistance to radiated electromagnetic fields : 10 V/m conforming to IEC 61000-4-3

## Ordering and shipping details

Category	22569 - MAGELIS XBT-GT (AND XBT-G)
Discount Schedule	MC2
GTIN	00785901071518
Nbr. of units in pkg.	1
Product availability	Stock - Normally stocked in distribution facility
Returnability	Y
Country of origin	CN

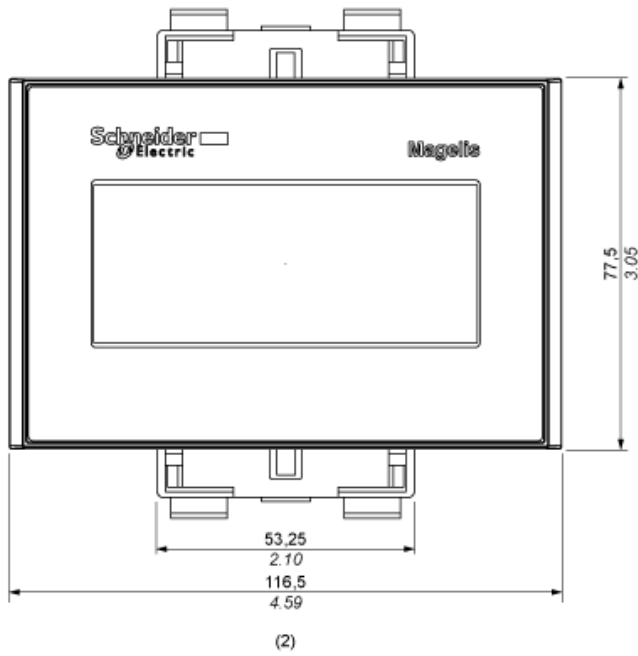
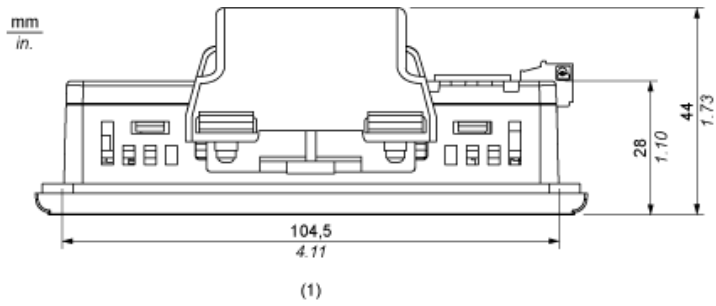
## Offer Sustainability

Sustainable offer status	Not Green Premium product
RoHS (date code: YYWW)	Compliant - since 1113 - <a href="#">Schneider Electric declaration of conformity</a>
REACH	Reference not containing SVHC above the threshold

## Contractual warranty

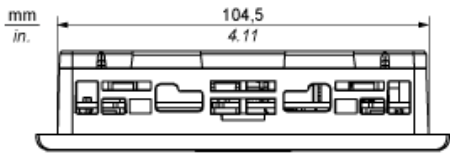
Warranty period	18 months
-----------------	-----------

Dimensions with Spring Clips

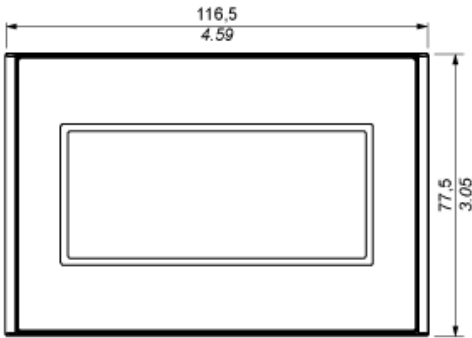


- (1) Top
- (2) Front

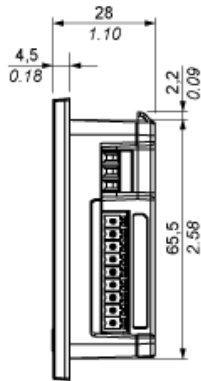
Dimensions without Spring Clips



(1)



(2)

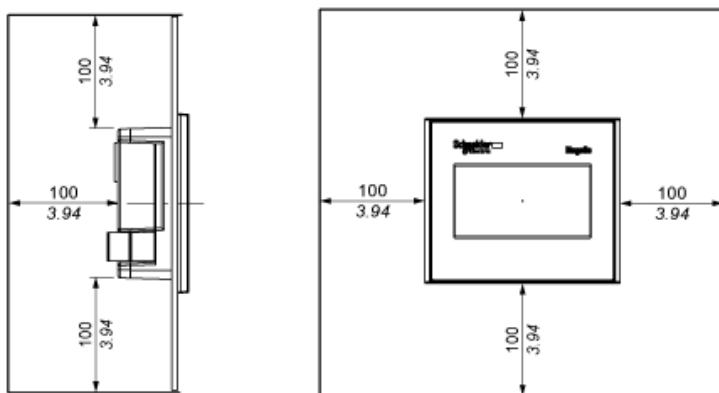


(3)

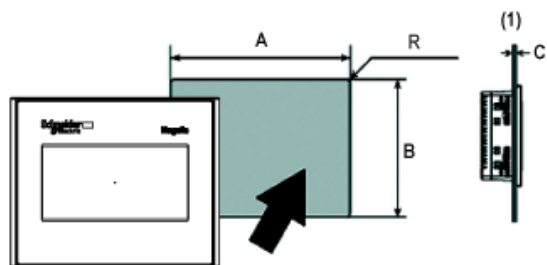
- (1) Top
- (2) Front
- (3) Right Side

Clearance

$\frac{\text{mm}}{\text{in.}}$



Panel Cut-out Dimensions



(1) Panel

A (mm)	A (in.)	B (mm)	B (in.)	C (mm) Spring Clips	C (in.) Spring Clips	R (mm)	R (in.)
+1	+0.04	+1	+0.04	1.5 to 6.0	0.059 to 0.236	2.0 to 3.0	0.078 to 0.118
105	4.13	66	2.59				
-0	-0	-0	-0				